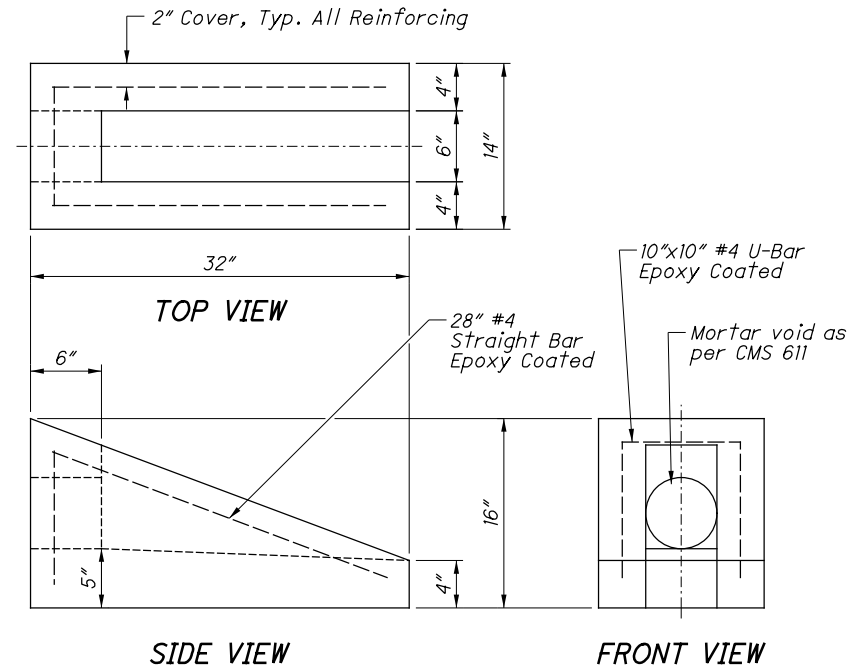
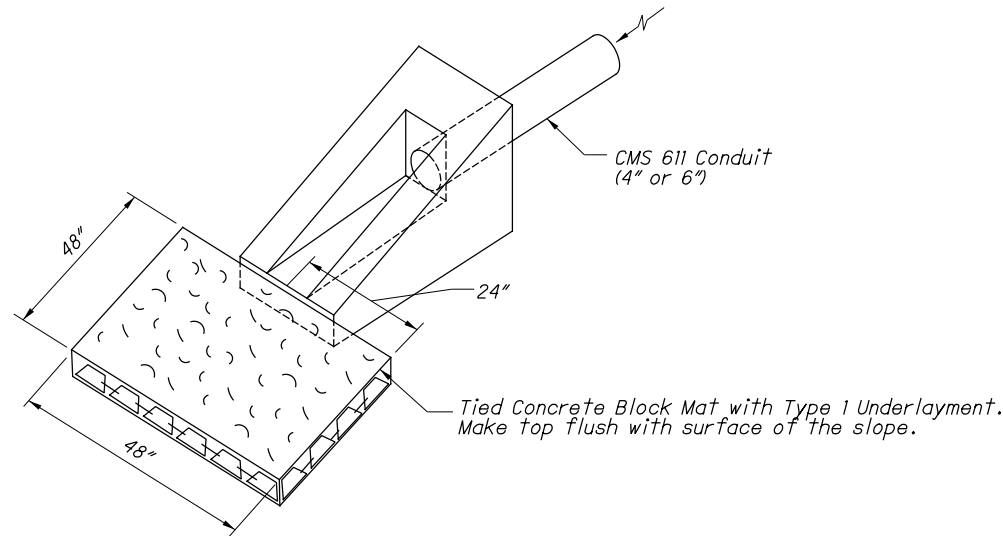


CONSTRUCTION METHODS



PRECAST REINFORCED CONCRETE OUTLET



NOTES

EROSION CONTROL PAD: Provide erosion control at the outlet of all farm drains except where they outlet into a drainage structure.

PAYMENT: Erosion control pads are included in the unit price bid for Item 611 - 2" Inch Conduit, Type -- .

PRECAST REINFORCED CONCRETE OUTLET: Provide a concrete outlet that meets CMS 611 requirements.

PAYMENT: The precast reinforced concrete outlet are paid at the contract unit price bid for Item 611 - Precast Reinforced Concrete Outlet.

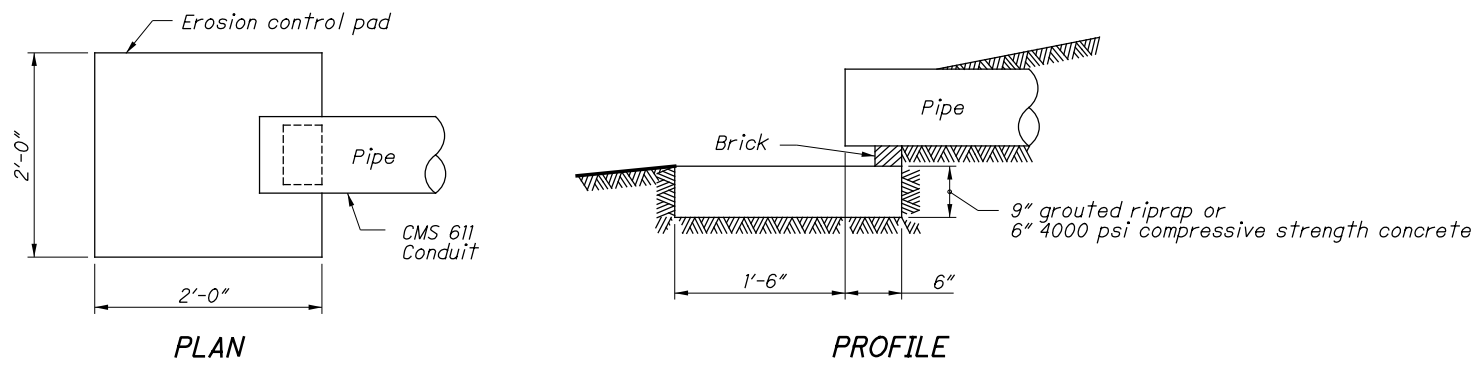
Tied Concrete Block Mat with Type 1 Underlayment is paid at the contract unit price bid for Item 601 - Tied Concrete Block Mat with Type 1 Underlayment.

SPRING DRAIN: Aggregates, tarred paper, tarred burlap, or geotextile fabric backfill and necessary excavation for spring drains are included for payment in the unit price bid per Foot for Item 605 - Aggregate Drains for Springs.

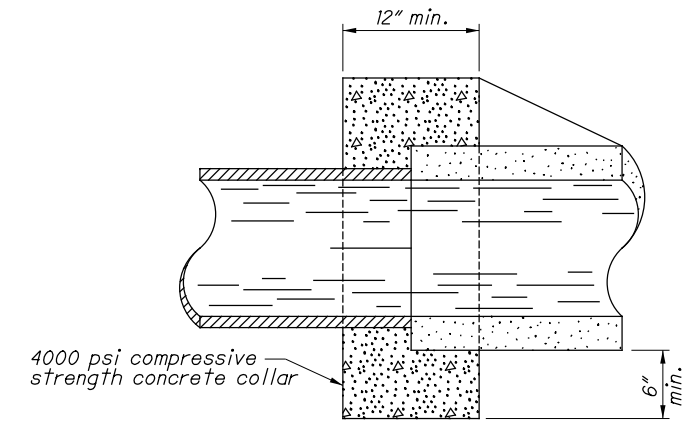
PAYMENT: The pipe is included in the unit price bid per Foot for Item 605 - 6" Unclassified Pipe Underdrains for Springs.

MASONRY COLLARS: Provide a masonry collar where plans require that a pipe extension be joined to the end of an existing pipe with a butt joint. The cost is included in the unit price bid for the new conduit.

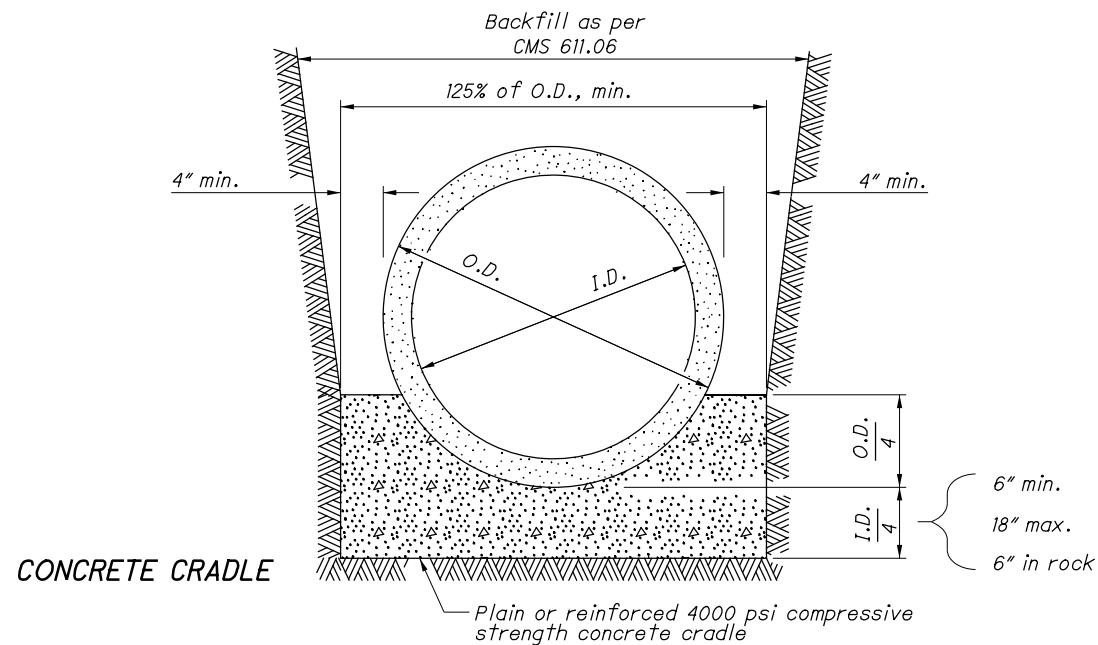
RIPRAP CUTOFF WALL: The cost of the cutoff wall is included in the unit price bid for Item 601, Type D - Construct a 6" Reinforced Concrete Slab.



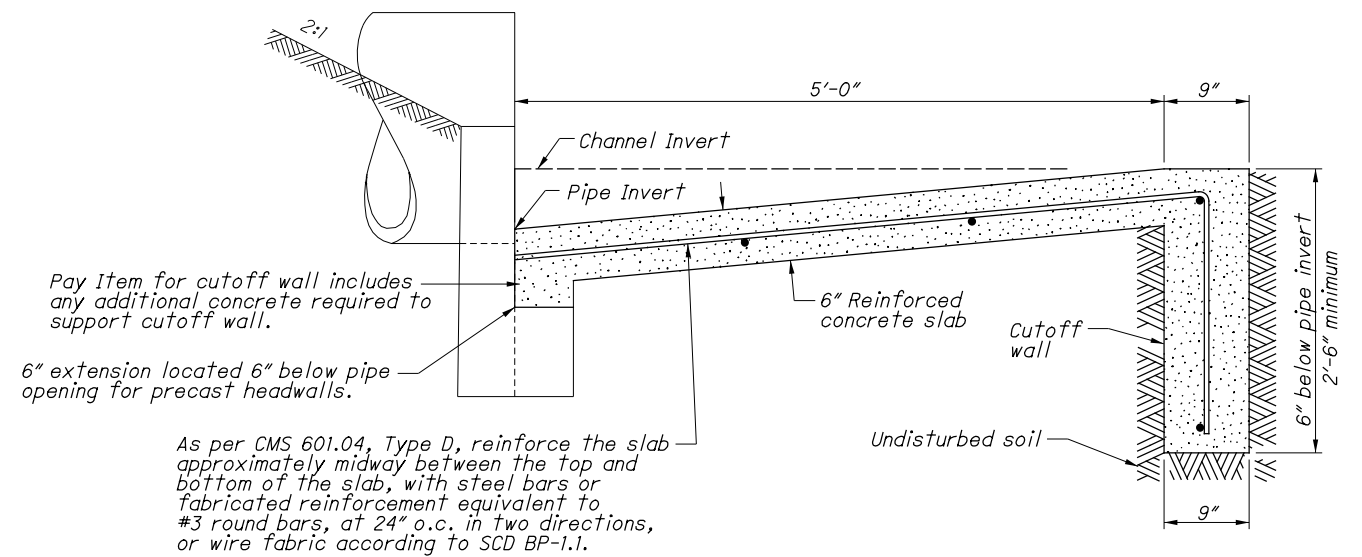
EROSION CONTROL PAD FOR OUTLET PIPE



MASONRY COLLAR



CONCRETE CRADLE



Pay Item for cutoff wall includes any additional concrete required to support cutoff wall.

6" extension located 6" below pipe opening for precast headwalls.

As per CMS 601.04, Type D, reinforce the slab approximately midway between the top and bottom of the slab, with steel bars or fabricated reinforcement equivalent to #3 round bars, at 24" o.c. in two directions, or wire fabric according to SCD BP-1.1.

RIPRAP CUTOFF WALL

STATE OF OHIO DEPARTMENT OF TRANSPORTATION
STATE HYDRAULIC ENGINEER

REVISIONS
1-21-05
10-21-05
4-21-06
1-21-11
7-20-12
1-18-13
1-15-16
7-21-17
7-17-20

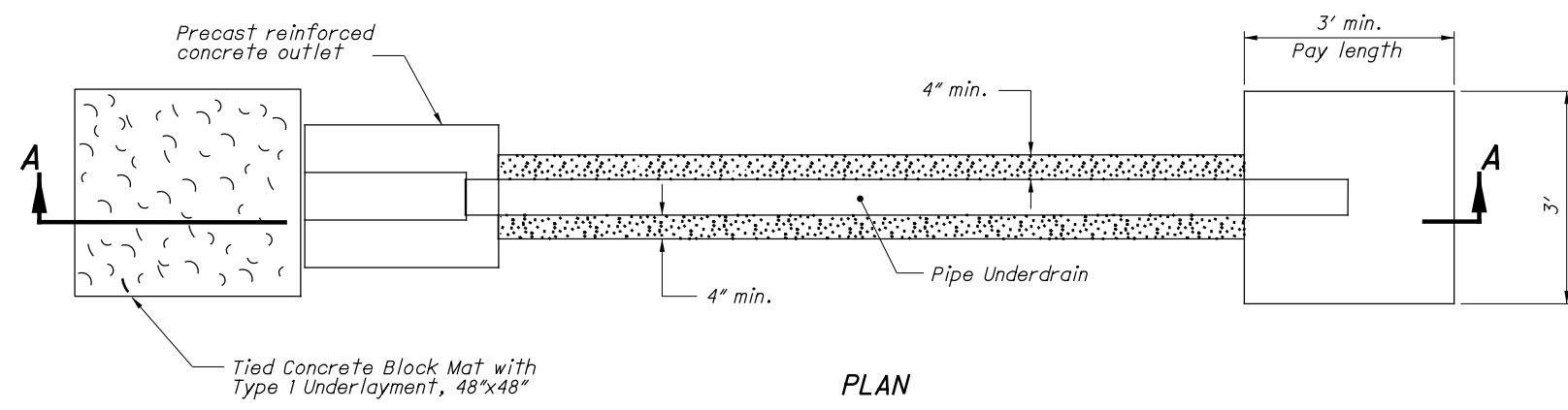
ROADWAY HYDRAULIC ENGINEER
Matt Cozzoli

OFFICE OF HYDRAULIC ENGINEERING

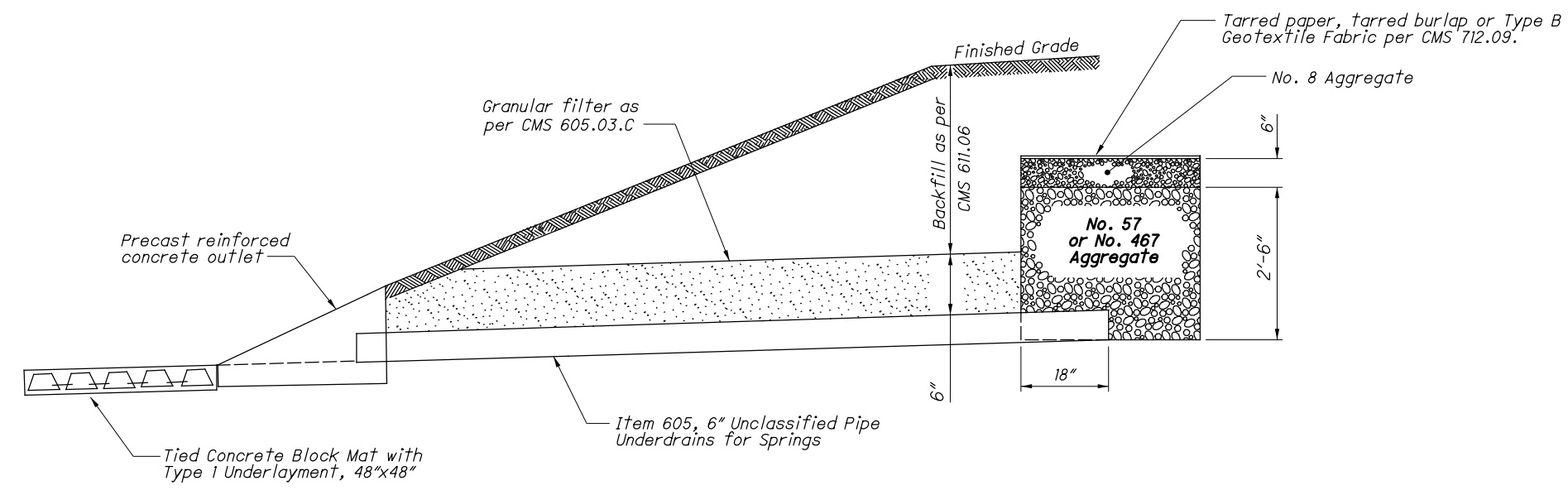
STANDARD HYDRAULIC CONSTRUCTION DRAWING
OUTLETS, DRAINS AND SEWERS

SCD NUMBER
DM-1.1

SPRING DRAIN DETAIL



PLAN



SECTION A-A

STATE OF OHIO DEPARTMENT OF TRANSPORTATION
STATE HYDRAULIC ENGINEER

REVISIONS
1-21-05
10-21-05
4-21-06
1-21-11
7-20-12
1-18-13
1-15-16
7-21-17
7-17-20

ROADWAY HYDRAULIC ENGINEER
Matt Cozzoli

OFFICE OF HYDRAULIC ENGINEERING

STANDARD HYDRAULIC CONSTRUCTION DRAWING
OUTLETS, DRAINS AND SEWERS

SCD NUMBER
DM-1.1