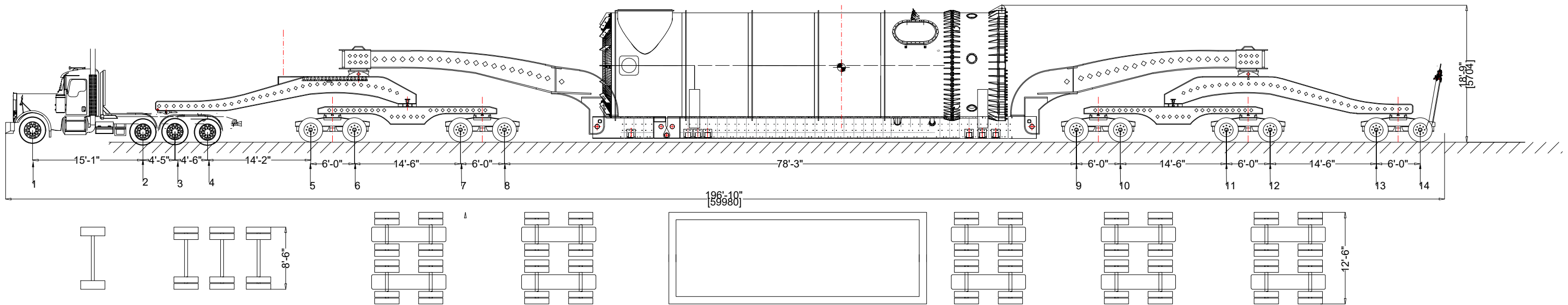
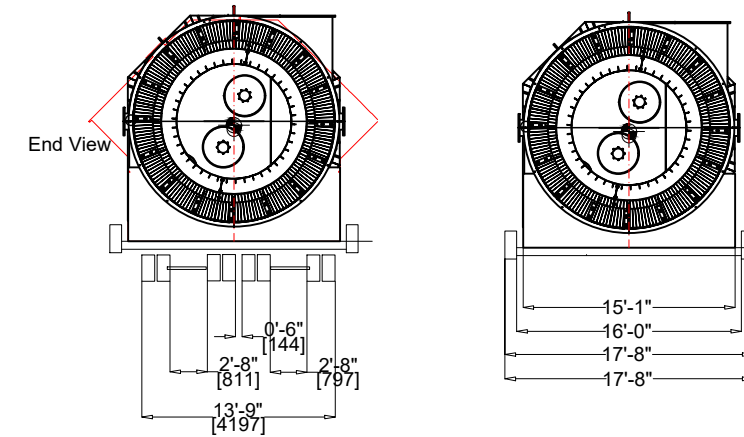
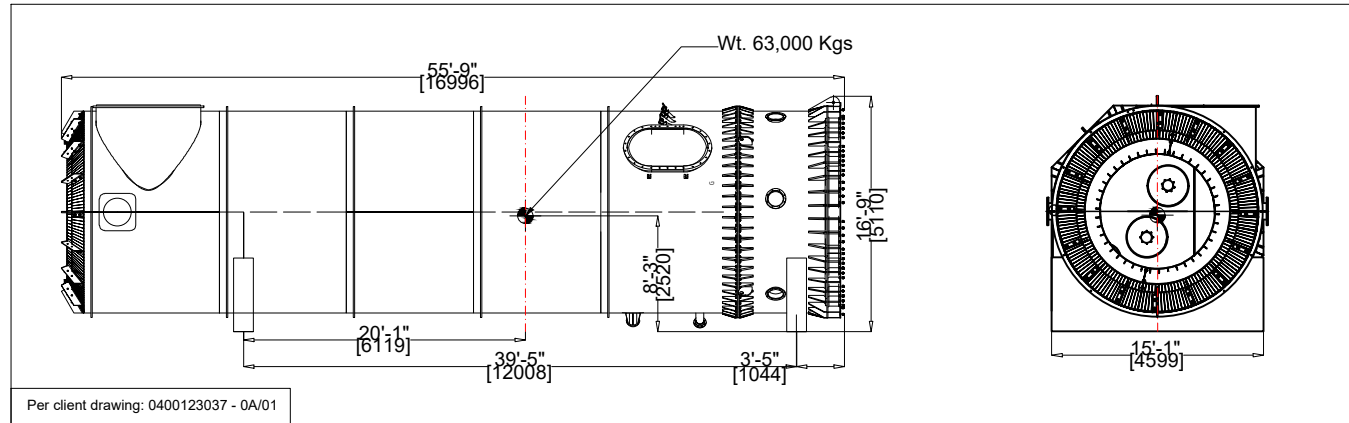


**PRELIMINARY**  
NOT FOR CONSTRUCTION

Rev. 0  
Date 11/28/23  
Client UTC Overseas  
Ref. BGE-23-0026/1



Axle Data and Tire Ratings (All Weights Shown in Pounds)														
Axle Number	1	2	3	4	5	6	7	8	9	10	11	12	13	14
Axle Spacing	15'-1"	4'-5"	4'-6"	16'-8"	6'-0"	14'-6"	6'-0"	78'-3"	6'-0"	14'-6"	6'-0"	6'-0"	14'-6"	6'-0"
Loading	17000	20000	20000	20000	34200	34200	34200	34200	34200	34200	34200	34200	34200	34200
Tire Rating	20000	53000	53000	53000	45400	45400	45400	45400	45400	45400	45400	45400	45400	45400
Tires Per Axle	2	4	4	4	8	8	8	8	8	8	8	8	8	8
Tire Loading	6000	4000	4000	4000	3875	3875	3875	3875	3875	3875	3875	3875	3875	3875
Tire Size	14	11	11	11	11	11	11	11	11	11	11	11	11	11

Tractor Weight 25,000  
Trailer Weight 225,000  
Tare Weight 227,000  
Load Weight 140,000  
Gross Train # 367,000

Over Dimensions  
Length 196'-10"  
Width 17'-8"  
Height 18'-9"

65Te Combustion Chamber on a 13 Axle Trailer

