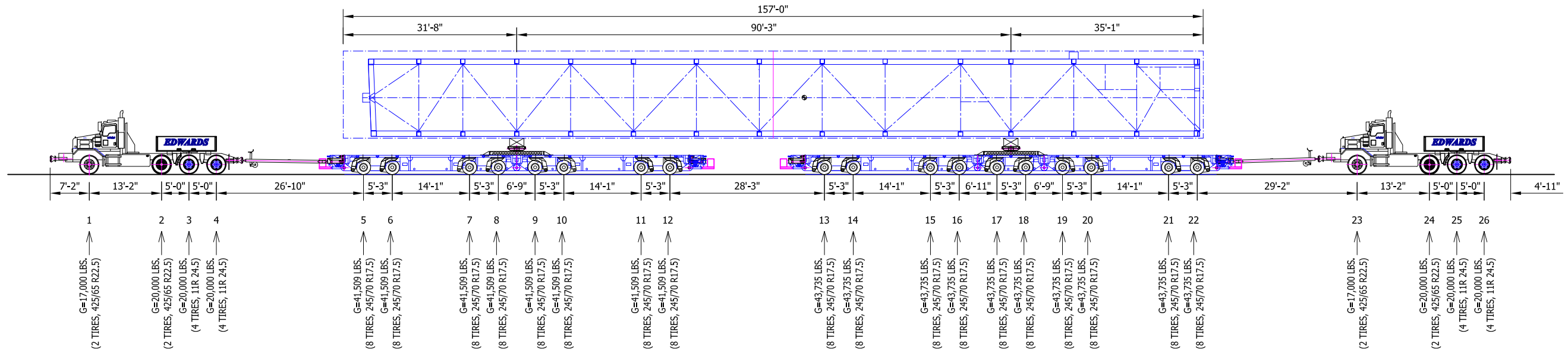
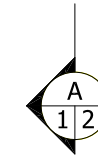


PLAN VIEW

SCALE: 3/32"=1'-0"



SIDE ELEVATION

SCALE: 3/32"=1'-0"

NOTES:

1. ALL DIMENSIONS ARE ROUNDED TO THE NEAREST INCH, U.N.O.



Corporate Head Office
200 Everett Hall Road
Shelbyville, KY40065
(502) 633 1961
www.edwardsmoving.com

**Kuehne + Nagel
Linde
New Albany, OH**

**518,086 lbs. Cold Box
2No. Trailer, 2No. File, 18No. Axle-line THP/DL
Permit Application Drawing**

A	12/5/2022	RG	CB	PRELIMINARY
REV.	DATE	DRAWN BY	CHECKED BY	DESCRIPTION OF REVISION

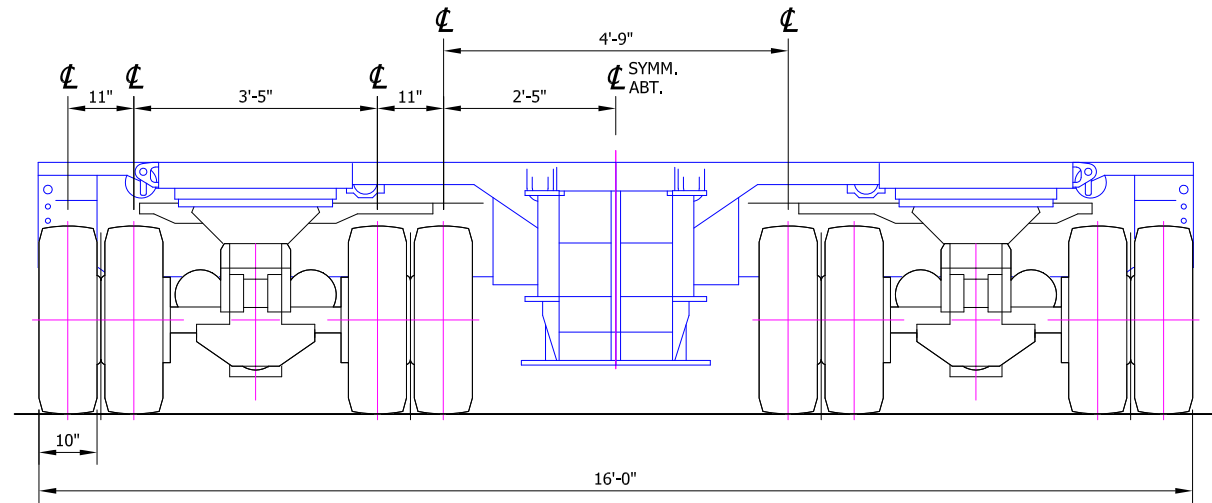
DWG. No.
PA-200 Sheet 1 of 2

ENG. JOB No.
2022-180

EMR. JOB No.
22RD798

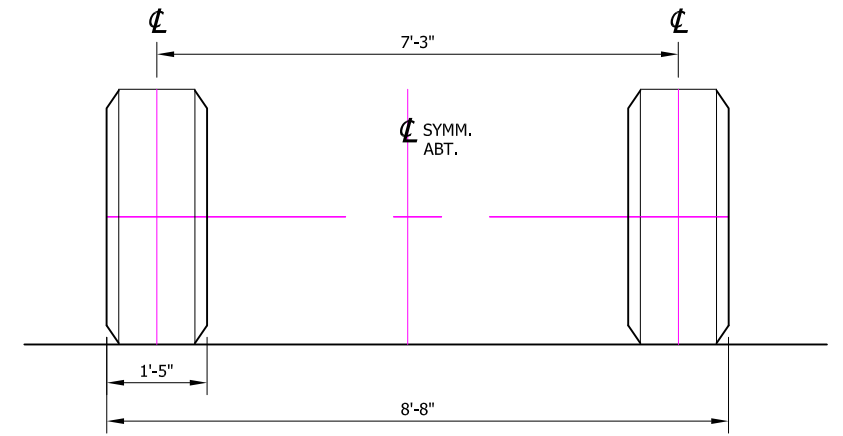
SCALE (U.N.O)
AS NOTED

REV.
A



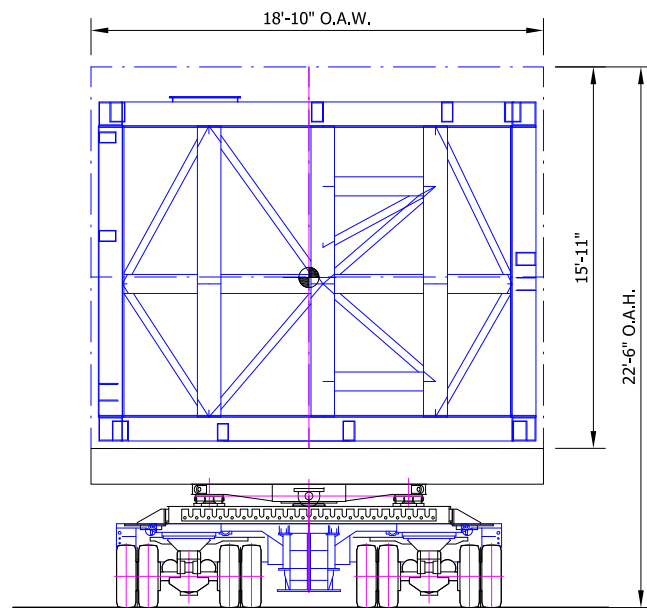
TRAILER AXLE-LINE DETAILS

SCALE: 3/8"=1'-0"



TRUCK AXLES 1, 2, 23, 24

SCALE: 3/8"=1'-0"

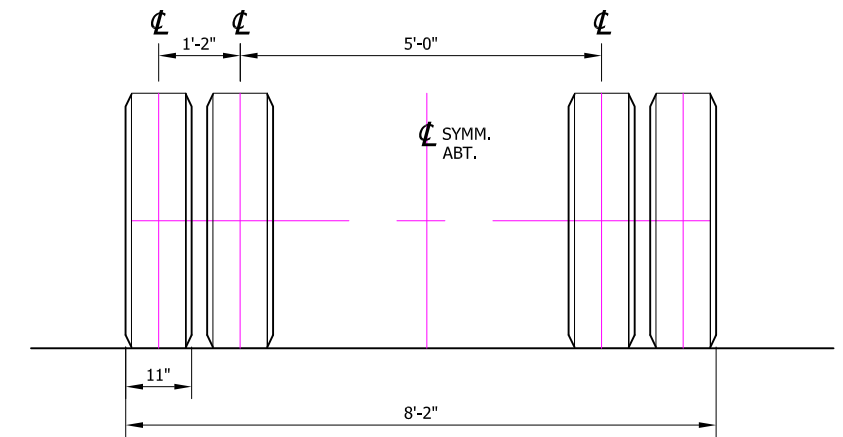


A SECTION
SCALE: 1/8"=1'-0"

FRONT TRAILER LOAD DATA TABLE	
NUMBER OF AXLE-LINES	8
NUMBER OF FILES	2
LOAD DETAILS	
PAYLOAD (lbs)	216,706
TRAILER (lbs)	101,261
AUX. STEEL WORK (lbs)	14,097
TOTAL LOAD (lbs)	332,064
LOAD PER AXLE-LINE (lbs)	41,509
LOAD PER AXLE (lbs)	20,755
LOAD PER TIRE (lbs)	5,189
LOAD PER TIRE-INCH (lbs/in)	519

REAR TRAILER LOAD DATA TABLE	
NUMBER OF AXLE-LINES	10
NUMBER OF FILES	2
LOAD DETAILS	
PAYLOAD (lbs)	301,380
TRAILER (lbs)	121,868
AUX. STEEL WORK (lbs)	14,097
TOTAL LOAD (lbs)	437,345
LOAD PER AXLE-LINE (lbs)	43,735
LOAD PER AXLE (lbs)	21,868
LOAD PER TIRE (lbs)	5,467
LOAD PER TIRE-INCH (lbs/in)	547

TRUCK DETAILS	
TRUCK (lbs)	77,000
WEIGHT ON STEER AXLE (lbs)	17,000
WEIGHT PER REAR AXLE (lbs)	20,000
GROSS VEHICLE WEIGHT	
TOTAL G.V.W. (lbs)	923,422



TRUCK AXLES 3, 4, 25, 26

SCALE: 3/8"=1'-0"



Corporate Head Office
200 Everett Hall Road
Shelbyville, KY40065
(502) 633 1961
www.edwardsmoving.com

Kuehne + Nagel
New Albany
New Albany, OH

518,086 lbs. Cold Box
2No. Trailer, 2No. File, 18No. Axle-line THP/DL
Permit Application Drawing

REV.	DATE	DRAWN BY	CHECKED BY	DESCRIPTION OF REVISION
A	12/5/2022	RG	CB	PRELIMINARY

DWG. No.
PA-200 Sheet 2 of 2

ENG. JOB No.
2022-180

EMR. JOB No.
22RD798

SCALE (U.N.O)
AS NOTED

REV.
A