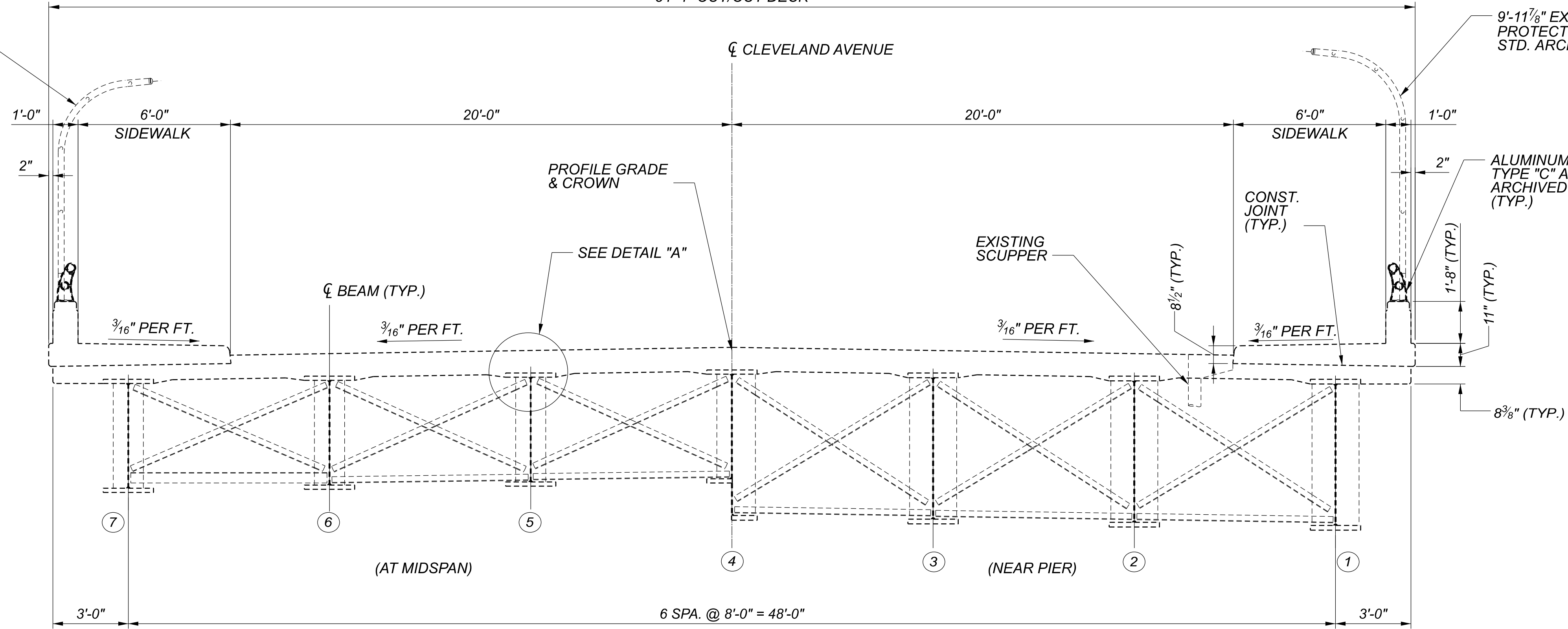
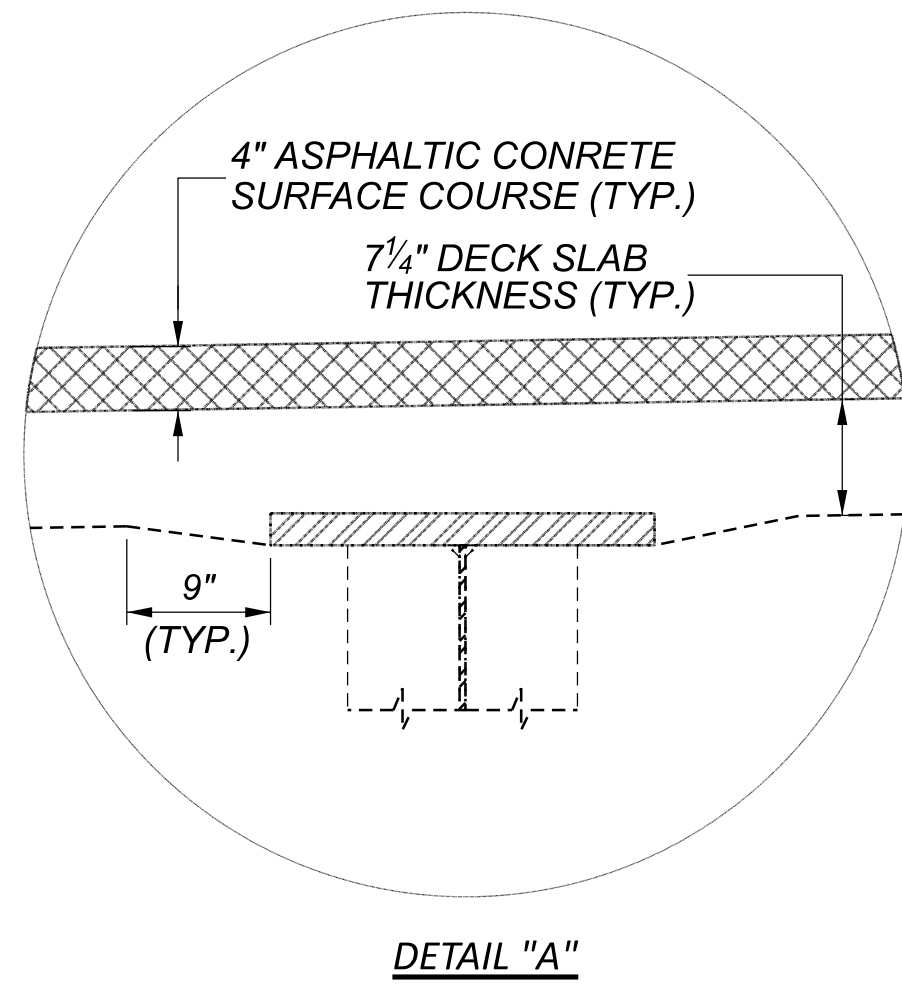


8'-9⁷/₈" CURVED VANDAL PROTECTION FENCE, SEE STD. ARCHIVED DWG. VPF-1-90

54'-4" OUT/OUT DECK

9'-11⁷/₈" EXISTING CURVED VANDAL PROTECTION FENCE, SEE STD. ARCHIVED DWG. VPF-1-90



EXISTING TRANSVERSE SECTION

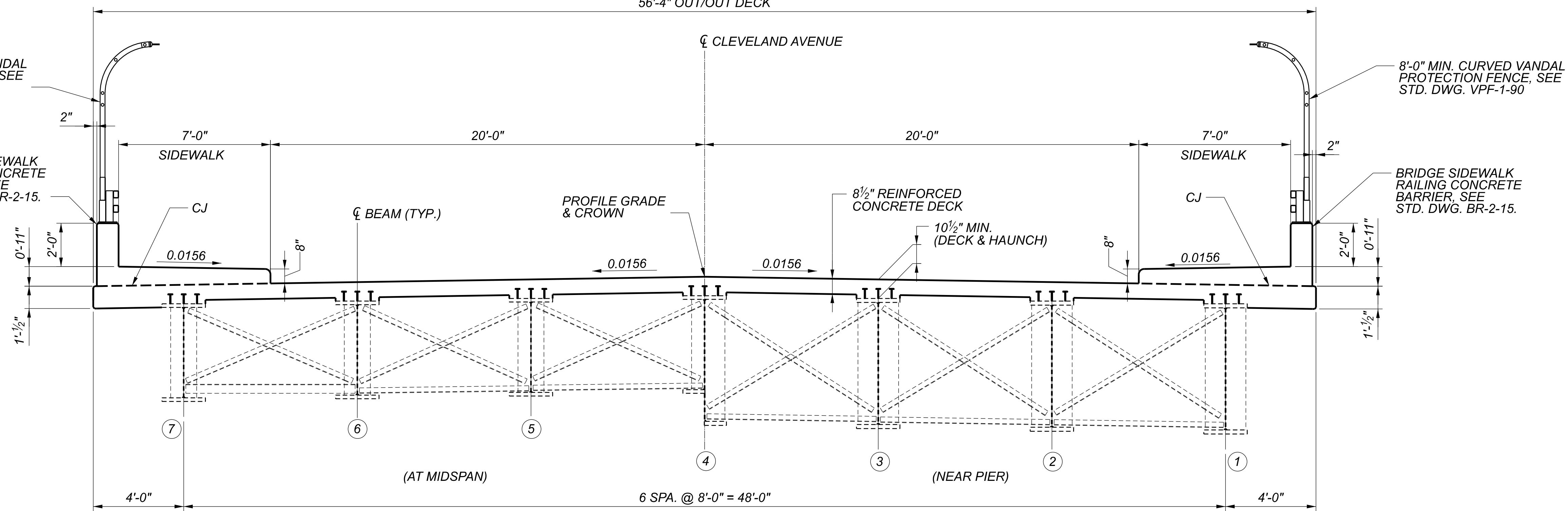
8'-0" MIN. CURVED VANDAL PROTECTION FENCE, SEE STD. DWG. VPF-1-90

56'-4" OUT/OUT DECK

8'-0" MIN. CURVED VANDAL PROTECTION FENCE, SEE STD. DWG. VPF-1-90

BRIDGE SIDEWALK RAILING CONCRETE BARRIER, SEE STD. DWG. BR-2-15.

BRIDGE SIDEWALK RAILING CONCRETE BARRIER, SEE STD. DWG. BR-2-15.



PROPOSED TRANSVERSE SECTION

CTY-RTE-SECTION

MODEL: Sheet Existing + Proposed; DATE: 6/9/2023; TIME: 12:13:58 PM; USER: MAWAZA; P:\jacobson\va-pw\benley.com\jacobson-us-va-pw-02\Documents\C6A20100 - FRA-071-1910-1-71 HSR\30 WIP\109164\00-Engineering\Structures\SFN_2500094_Sheets\109164_SFN_2500094_ST001.dgn

TRANSVERSE SECTIONS (EXISTING & PROPOSED)
BRIDGE NO. FRA-71-19.36
I-71 UNDER CLEVELAND AVENUE

SFN 2500094
DESIGN AGENCY

Jacobs

DESIGNER	CHECKER
MAN	FBW
REVIEWER	
FBW 06/09/23	
PROJECT ID	
109164	
SUBSET	TOTAL
3	4
SHEET	TOTAL
3	4