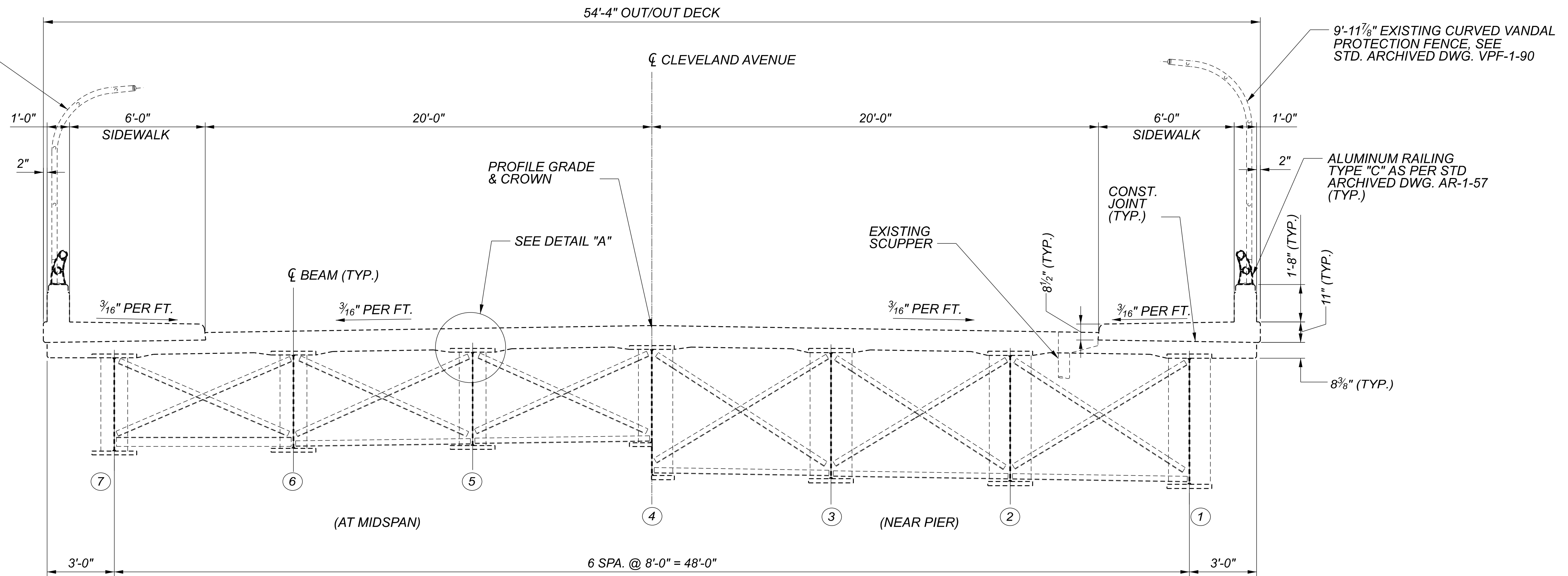
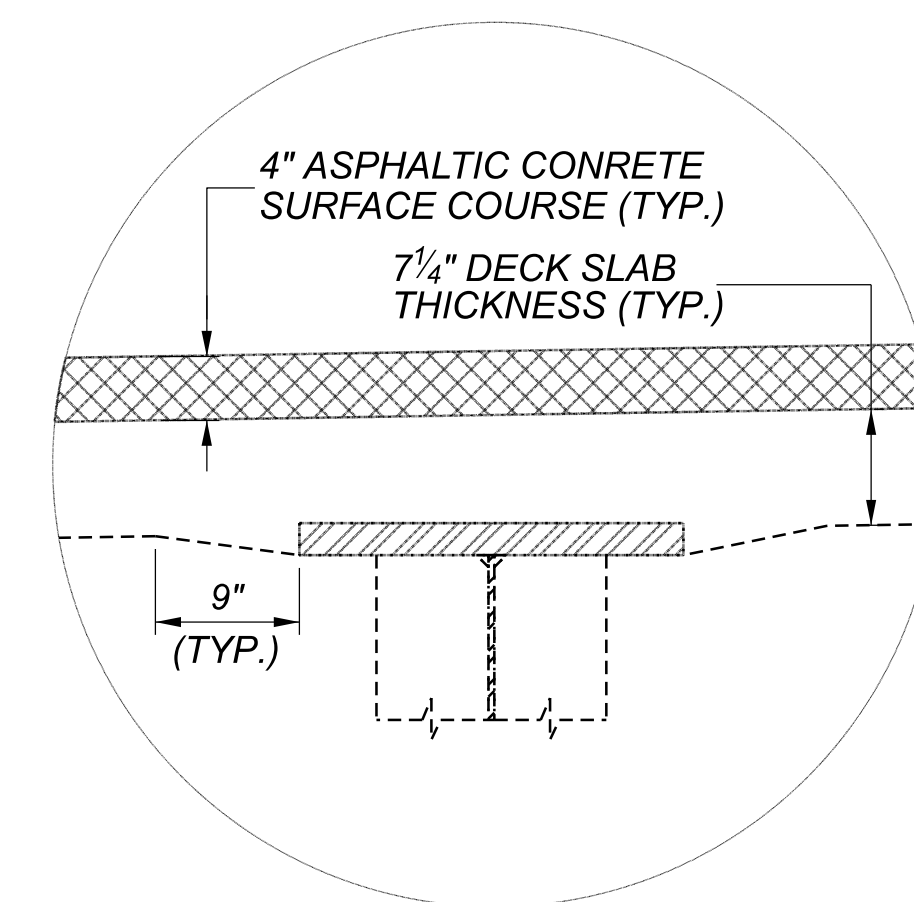


8'-9⁷/₈" CURVED VANDAL PROTECTION FENCE. SEE STD. ARCHIVED DWG. VPF-1-90



EXISTING TRANSVERSE SECTION



DETAIL "A"

EXISTING TRANSVERSE SECTION
 BRIDGE NO. FRA-71-19.36
 I-71 UNDER CLEVELAND AVENUE

SFN
 2500094

DESIGN AGENCY



DESIGNER: MAN
 CHECKER: MJR

REVIEWER

FBW 06-05-23

PROJECT ID

0

SUBSET TOTAL

| | |
|---|---|
| 3 | 4 |
|---|---|

SHEET TOTAL

| | |
|---|---|
| 3 | 4 |
|---|---|