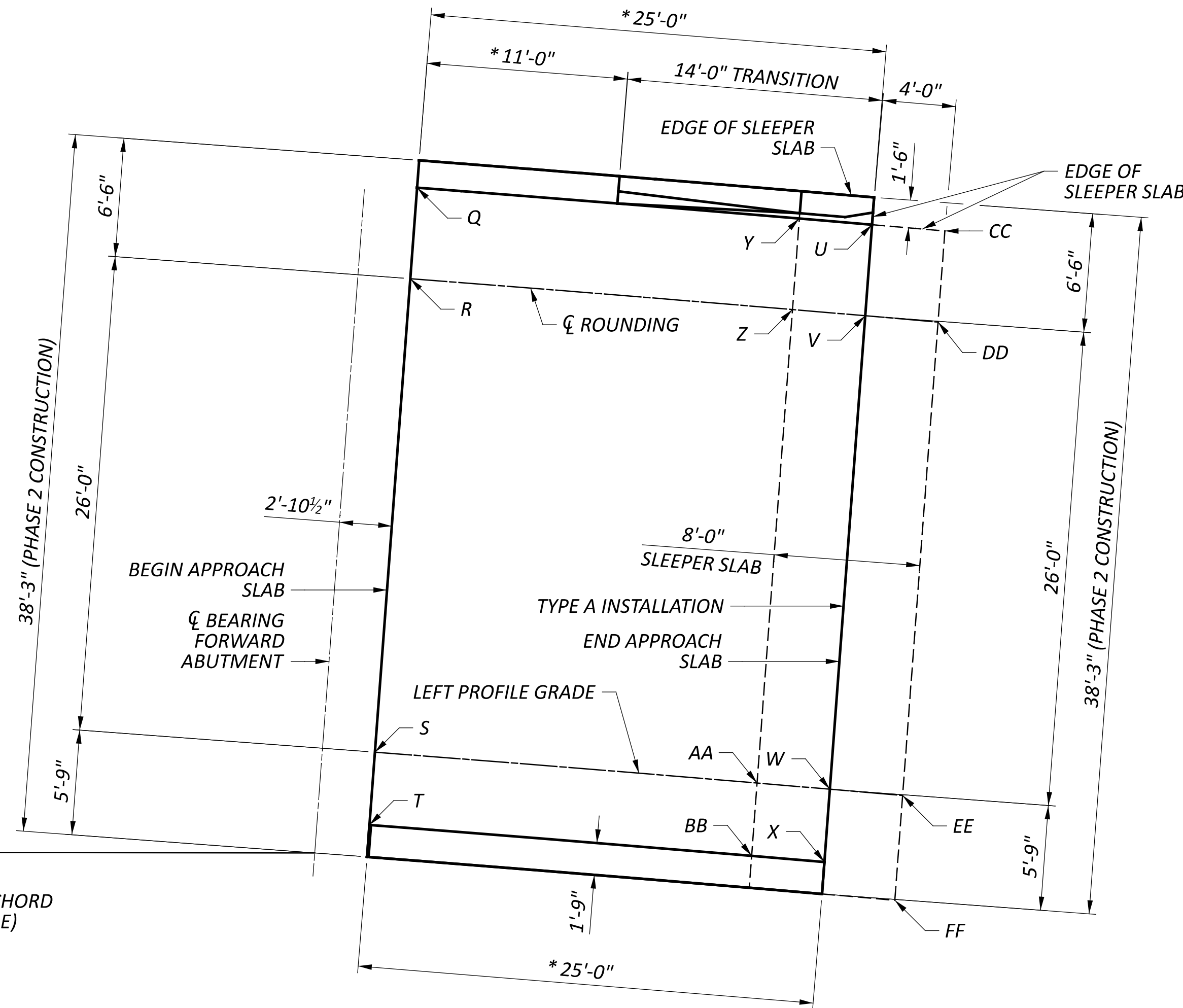


**LEFT BRIDGE REAR APPROACH SLAB PLAN**



**LEFT BRIDGE FORWARD APPROACH SLAB PLAN**

REAR APPROACH SLAB LOCATIONS							
APPROACH SLAB SURFACE ELEVATIONS			SLEEPER SLAB ELEVATIONS				
STATION	OFFSET	ELEVATION	STATION	OFFSET	ELEVATION		
A	94+18.09	36.36' LT.	548.53	I	94+14.14	36.36' LT.	547.33
B	94+18.05	31.36' LT.	548.69	J	94+14.09	31.36' LT.	547.49
C	94+17.84	5.36' LT.	547.52	K	94+13.84	5.36' LT.	546.31
D	94+17.80	1.36' LT.	547.33	L	94+13.81	1.86' LT.	546.15
E	94+42.77	36.40' LT.	548.23	M	94+22.04	36.37' LT.	547.24
F	94+42.78	31.40' LT.	548.39	N	94+22.00	31.37' LT.	547.39
G	94+42.79	5.40' LT.	547.21	O	94+21.83	5.37' LT.	546.22
H	94+42.79	1.40' LT.	547.02	P	94+21.80	1.37' LT.	546.03

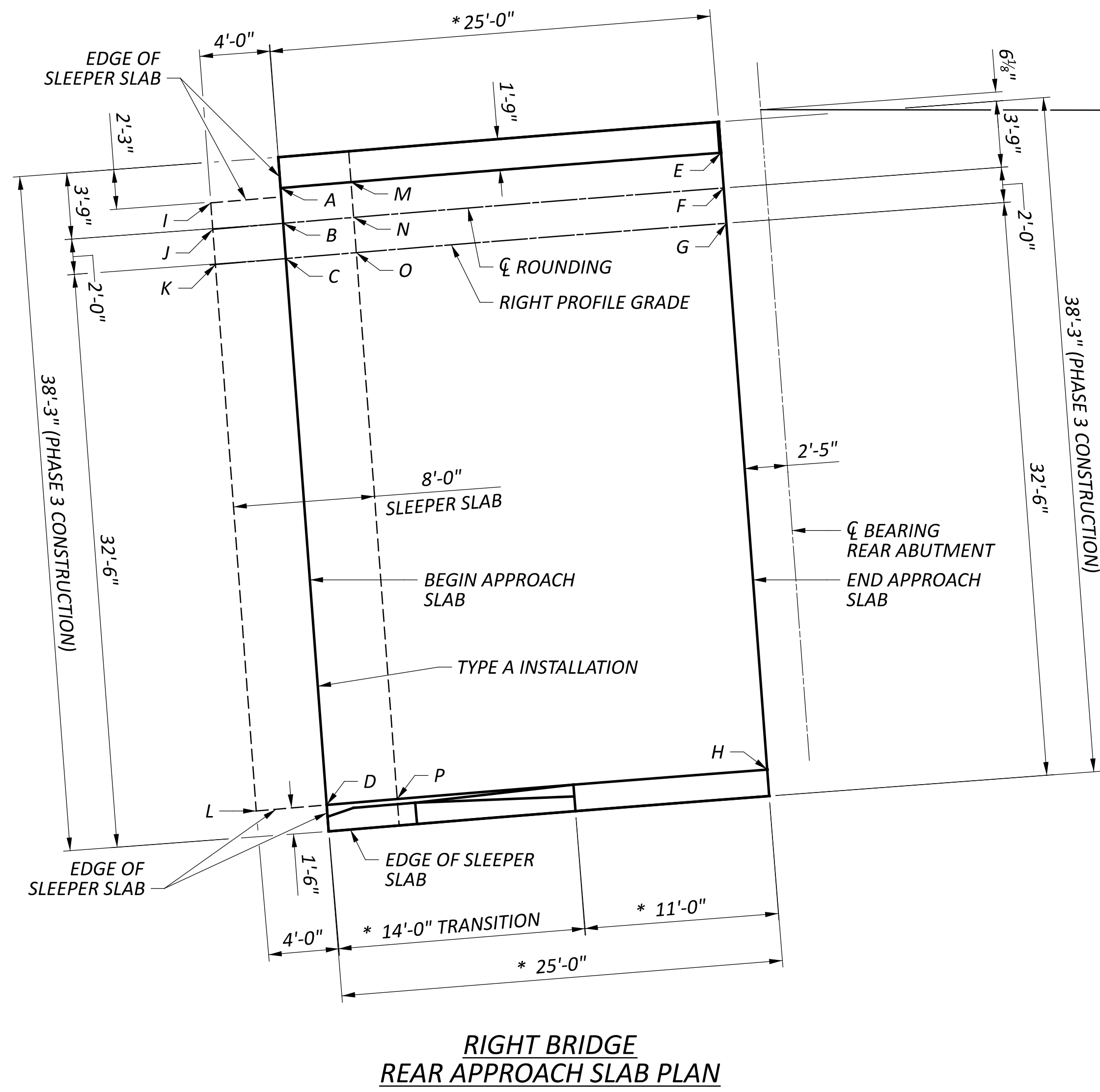
FORWARD APPROACH SLAB LOCATIONS							
APPROACH SLAB SURFACE ELEVATIONS			SLEEPER SLAB ELEVATIONS				
STATION	OFFSET	ELEVATION	STATION	OFFSET	ELEVATION		
Q	98+76.03	36.76' LT.	542.71	Y	98+96.77	36.76' LT.	541.18
R	98+76.05	31.76' LT.	542.86	Z	98+96.82	31.76' LT.	541.34
S	98+76.11	5.76' LT.	541.68	AA	98+97.07	5.76' LT.	540.16
T	98+76.12	1.76' LT.	541.50	BB	98+97.10	1.76' LT.	539.97
U	99+00.72	36.76' LT.	542.38	CC	99+04.67	36.76' LT.	541.08
V	99+00.77	31.76' LT.	542.53	DD	99+04.73	31.76' LT.	541.23
W	99+01.06	5.76' LT.	541.35	EE	99+05.05	5.76' LT.	540.05
X	99+01.10	1.76' LT.	541.16	FF	99+05.12	0.01' LT.	539.86

**LEGEND:**

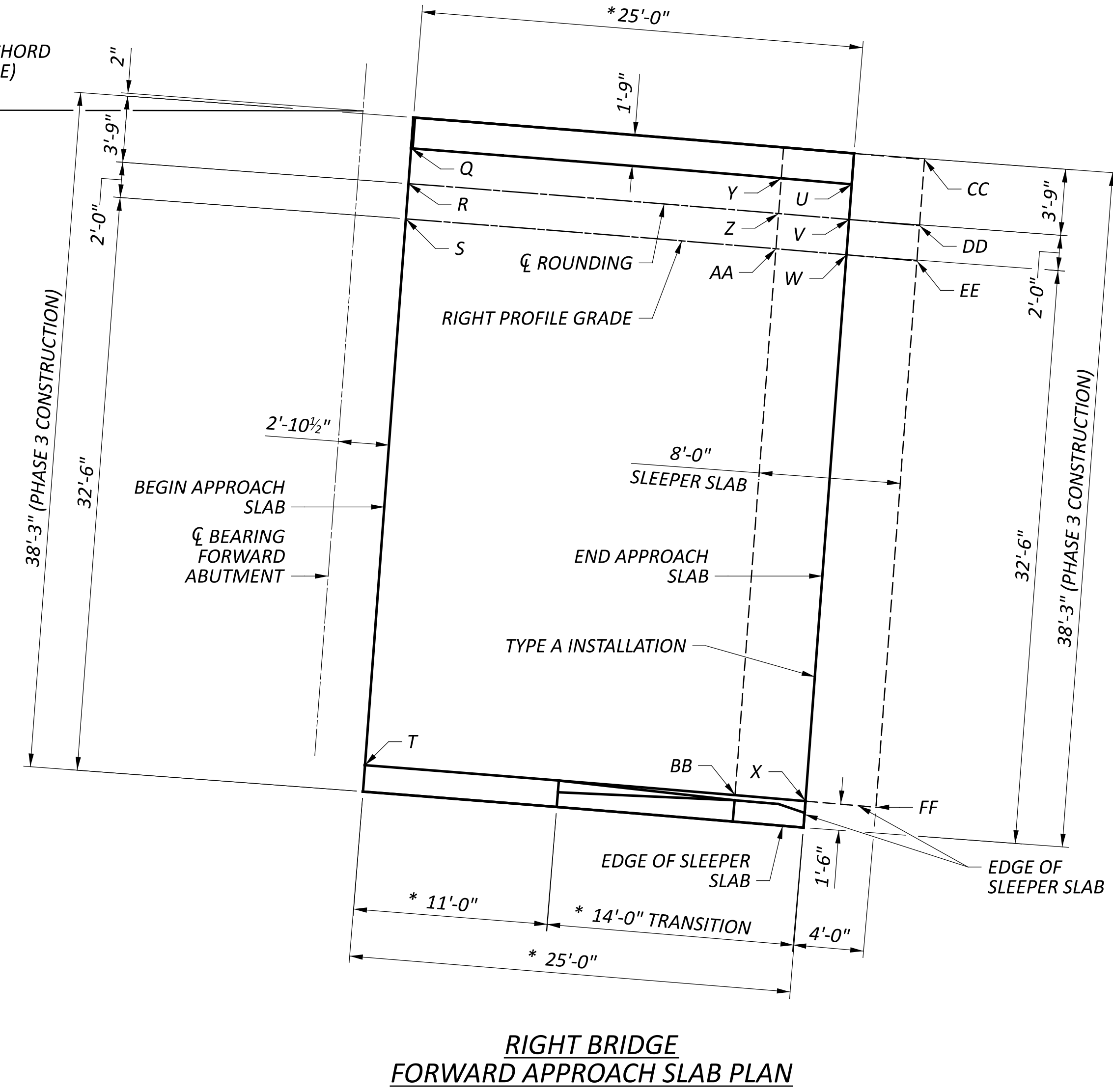
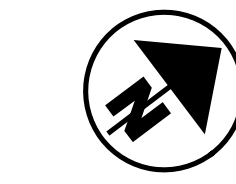
\* MEASURED ALONG EDGE OF APPROACH SLAB

**NOTES:**

- FOR THE 25-FT. APPROACH SLAB REINFORCEMENT REQUIREMENTS AND ADDITIONAL STANDARD APPROACH SLAB DETAILS, SEE GENERAL NOTE ITEM 526 - REINFORCED CONCRETE APPROACH SLABS WITH QC/QA (T=15"), AS PER PLAN AND ODOT STANDARD DRAWING AS-1-15.
- FOR APPROACH SLAB TYPE A INSTALLATION REQUIREMENTS, SEE ODOT STANDARD DRAWING AS-2-15.
- FOR APPROACH SLAB RAILING DETAILS, SEE SHEETS 42 THROUGH 44 OF 50.
- FOR ROUNDING DETAIL, SEE SHEET 37 OF 50.



RIGHT BRIDGE  
REAR APPROACH SLAB PLAN



RIGHT BRIDGE  
FORWARD APPROACH SLAB PLAN

**LEGEND:**

\* MEASURED ALONG EDGE OF APPROACH SLAB

**NOTES:**

- FOR THE 25-FT. APPROACH SLAB REINFORCEMENT REQUIREMENTS AND ADDITIONAL STANDARD APPROACH SLAB DETAILS, SEE GENERAL NOTE ITEM 526 - REINFORCED CONCRETE APPROACH SLABS WITH QC/QA (T=15"), AS PER PLAN AND ODOT STANDARD DRAWING AS-1-15.
- FOR APPROACH SLAB TYPE A INSTALLATION REQUIREMENTS, SEE ODOT STANDARD DRAWING AS-2-15.
- FOR APPROACH SLAB RAILING DETAILS, SEE SHEETS 42 THROUGH 44 OF 50.
- FOR ROUNDING DETAIL, SEE SHEET 37 OF 50.

**REAR APPROACH SLAB LOCATIONS**

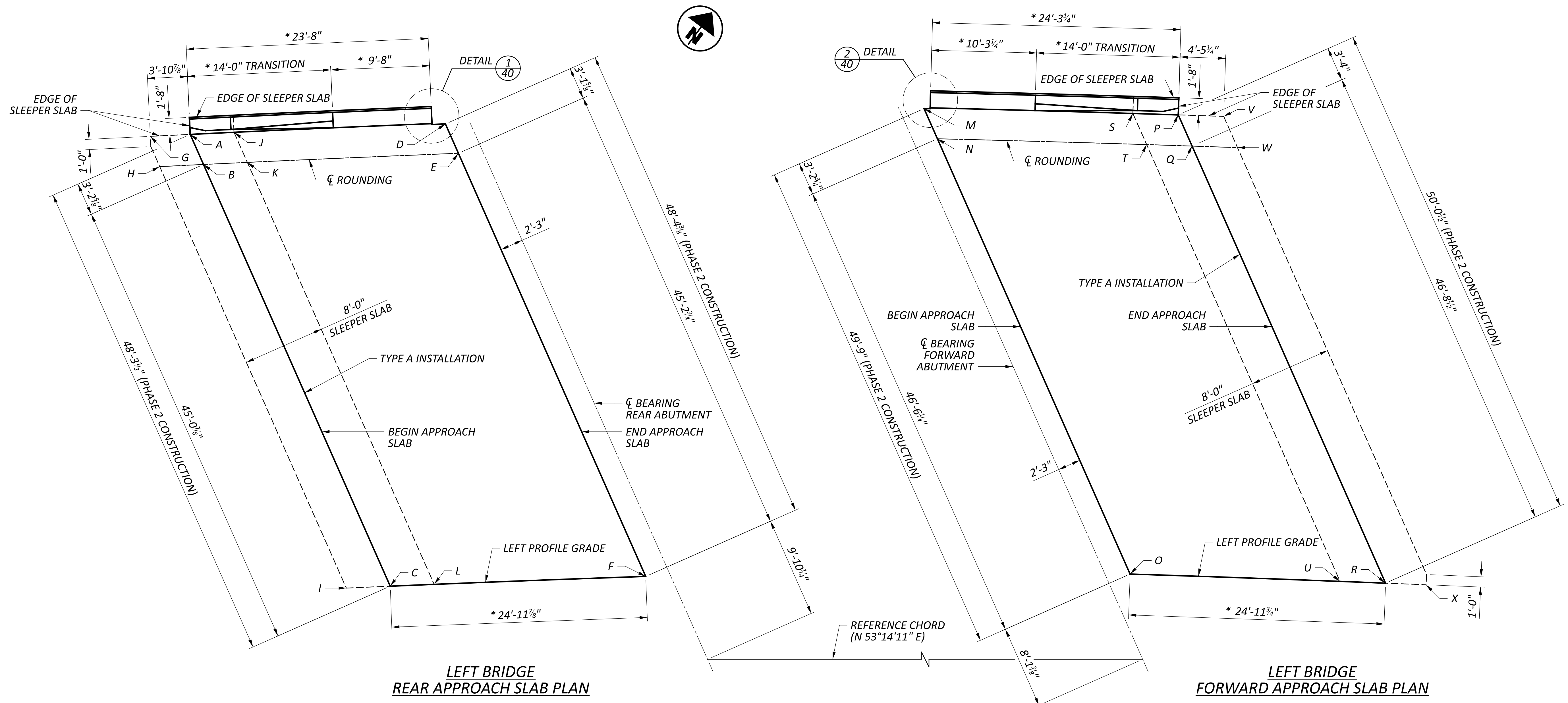
APPROACH SLAB SURFACE ELEVATIONS			SLEEPER SLAB ELEVATIONS				
STATION	OFFSET	ELEVATION	STATION	OFFSET	ELEVATION		
A	94+17.77	2.30' RT.	547.05	I	94+13.77	2.81' RT.	545.86
B	94+17.76	4.30' RT.	547.08	J	94+13.75	4.31' RT.	545.88
C	94+17.74	6.30' RT.	547.03	K	94+13.73	6.31' RT.	545.83
D	94+17.48	37.30' RT.	545.58	L	94+13.43	37.31' RT.	544.38
E	94+42.79	2.27' RT.	546.75	M	94+21.78	2.30' RT.	545.75
F	94+42.80	4.27' RT.	546.78	N	94+21.76	4.30' RT.	545.79
G	94+42.80	6.27' RT.	546.73	O	94+21.75	6.30' RT.	545.73
H	94+42.81	37.27' RT.	545.28	P	94+21.54	37.30' RT.	544.28

**FORWARD APPROACH SLAB LOCATIONS**

APPROACH SLAB SURFACE ELEVATIONS			SLEEPER SLAB ELEVATIONS				
STATION	OFFSET	ELEVATION	STATION	OFFSET	ELEVATION		
Q	98+76.13	1.91' RT.	541.16	Y	98+97.14	1.91' RT.	539.62
R	98+76.13	3.91' RT.	541.19	Z	98+97.16	3.91' RT.	539.65
S	98+76.14	5.91' RT.	541.14	AA	98+97.18	5.91' RT.	539.60
T	98+76.21	36.91' RT.	539.69	BB	98+97.48	36.91' RT.	538.14
U	99+01.14	1.91' RT.	540.81	CC	99+05.12	0.16' RT.	539.50
V	99+01.16	3.91' RT.	540.85	DD	99+05.17	3.91' RT.	539.54
W	99+01.19	5.91' RT.	540.80	EE	99+05.20	5.91' RT.	539.49
X	99+01.54	36.91' RT.	539.33	FF	99+05.59	36.91' RT.	538.03







LEFT BRIDGE  
REAR APPROACH SLAB PLAN

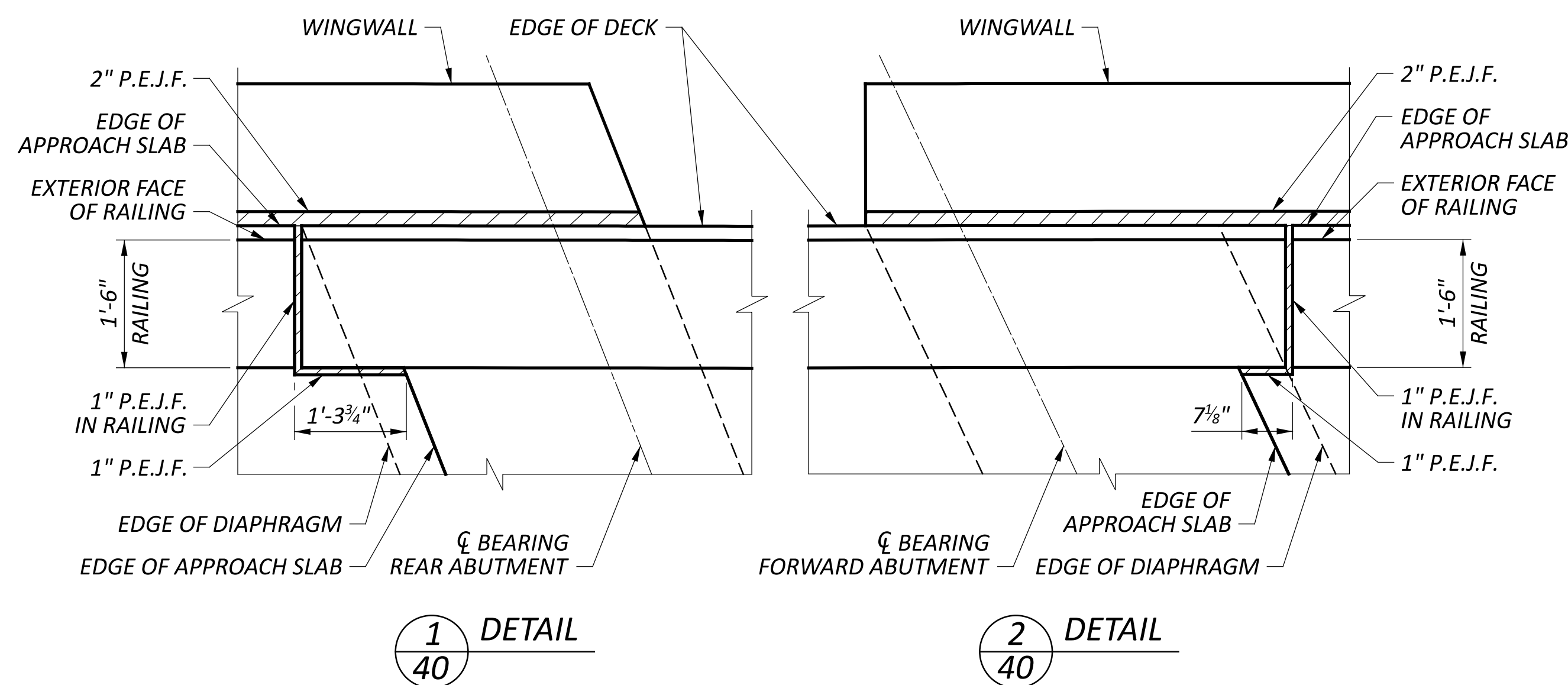
LEFT BRIDGE  
FORWARD APPROACH SLAB PLAN

REAR APPROACH SLAB LOCATIONS

APPROACH SLAB SURFACE ELEVATIONS (SEE NOTE 4)				SLEEPER SLAB ELEVATIONS			
	STATION	OFFSET	ELEVATION		STATION	OFFSET	ELEVATION
A	103+31.21	53.29' LT.	538.48	G	103+27.38	53.29' LT.	537.25
B	103+32.35	50.29' LT.	538.55	H	103+28.13	50.29' LT.	537.32
C	103+48.54	8.29' LT.	536.54	I	103+44.26	8.29' LT.	535.31
D	103+55.71	53.21' LT.	538.36	J	103+35.42	53.29' LT.	537.21
E	103+56.85	50.29' LT.	538.43	K	103+36.56	50.29' LT.	537.28
F	103+73.46	8.29' LT.	536.43	L	103+52.83	8.29' LT.	535.27

FORWARD APPROACH SLAB LOCATIONS

APPROACH SLAB SURFACE ELEVATIONS (SEE NOTE 4)				SLEEPER SLAB ELEVATIONS			
	STATION	OFFSET	ELEVATION		STATION	OFFSET	ELEVATION
M	105+38.60	53.21' LT.	537.97	S	105+58.64	53.29' LT.	536.73
N	105+39.95	50.29' LT.	538.05	T	105+60.06	50.29' LT.	536.81
O	103+59.76	8.29' LT.	536.13	U	105+80.23	8.29' LT.	534.91
P	105+63.00	53.29' LT.	537.99	V	105+67.36	53.29' LT.	536.74
Q	105+64.42	50.29' LT.	538.07	W	105+68.79	50.29' LT.	536.82
R	105+84.67	8.29' LT.	536.16	X	105+88.62	8.29' LT.	534.92



1  
40  
DETAIL

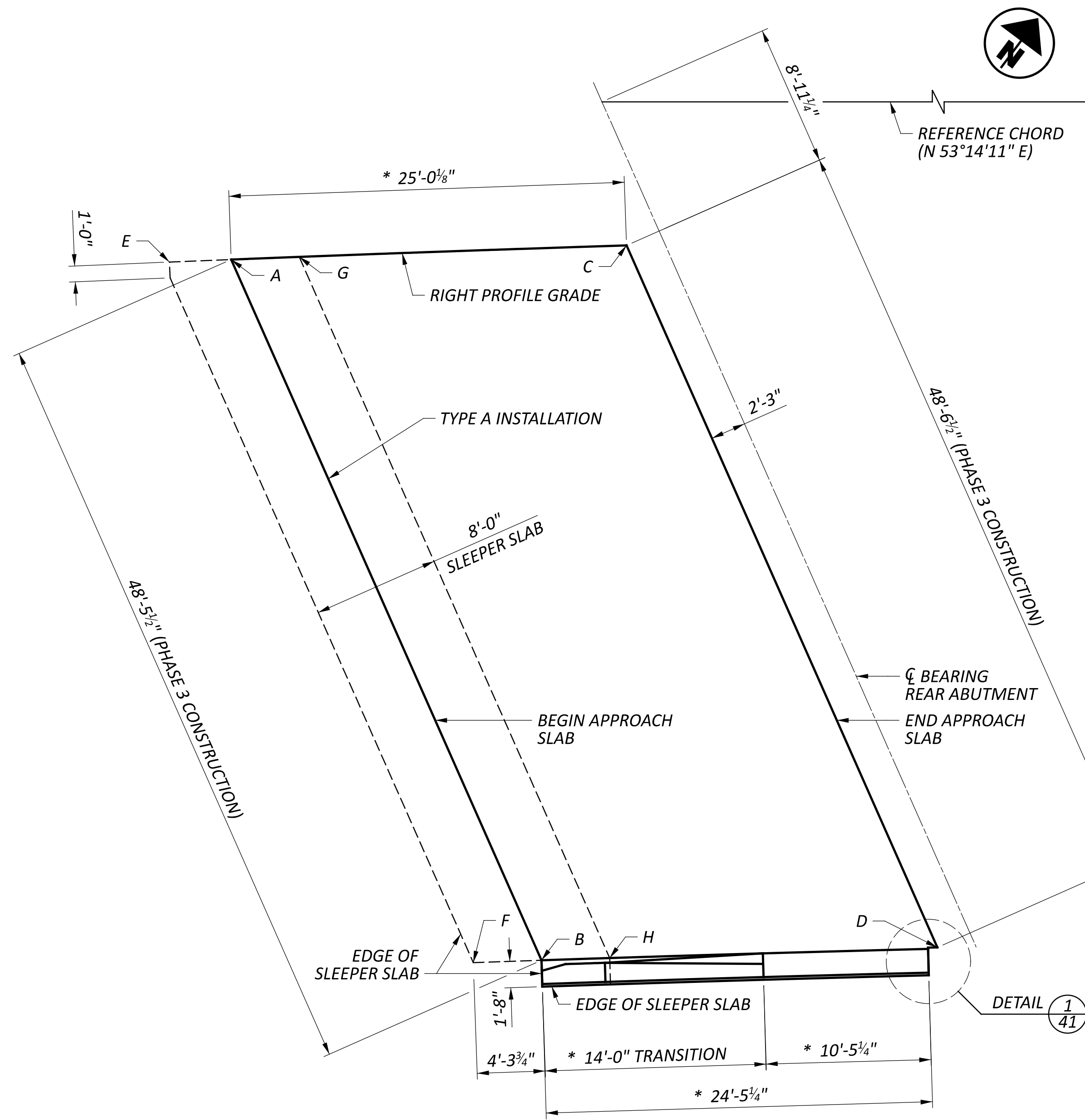
2  
40  
DETAIL

LEGEND:

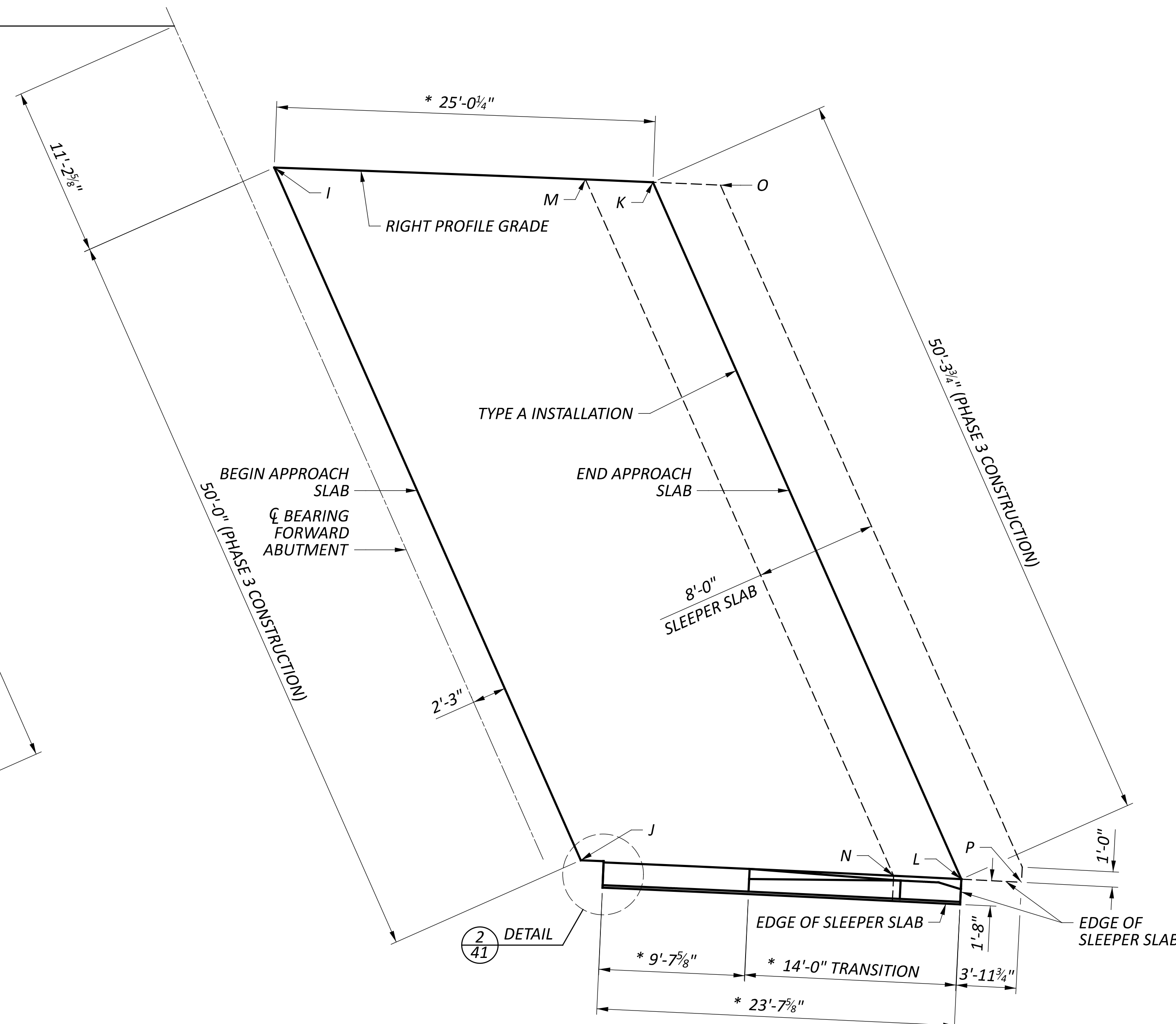
\* MEASURED ALONG EDGE OF APPROACH SLAB

NOTES:

- FOR THE 25-FT. APPROACH SLAB REINFORCEMENT REQUIREMENTS AND ADDITIONAL STANDARD APPROACH SLAB DETAILS, SEE GENERAL NOTE ITEM 526 - REINFORCED CONCRETE APPROACH SLABS WITH QC/QA, (T=15"), AS PER PLAN AND ODOT STANDARD DRAWING AS-1-15.
- FOR APPROACH SLAB TYPE A INSTALLATION REQUIREMENTS, SEE ODOT STANDARD DRAWING AS-2-15.
- FOR APPROACH SLAB RAILING DETAILS, SEE SHEETS 38 AND 39 OF 44.
- APPROACH SLAB SURFACE ELEVATIONS ARE GIVEN AT TOP OF CONCRETE APPROACH SLAB, UNDERNEATH THE ASPHALT.
- FOR ROUNDING DETAIL, SEE SHEET 29 OF 44.



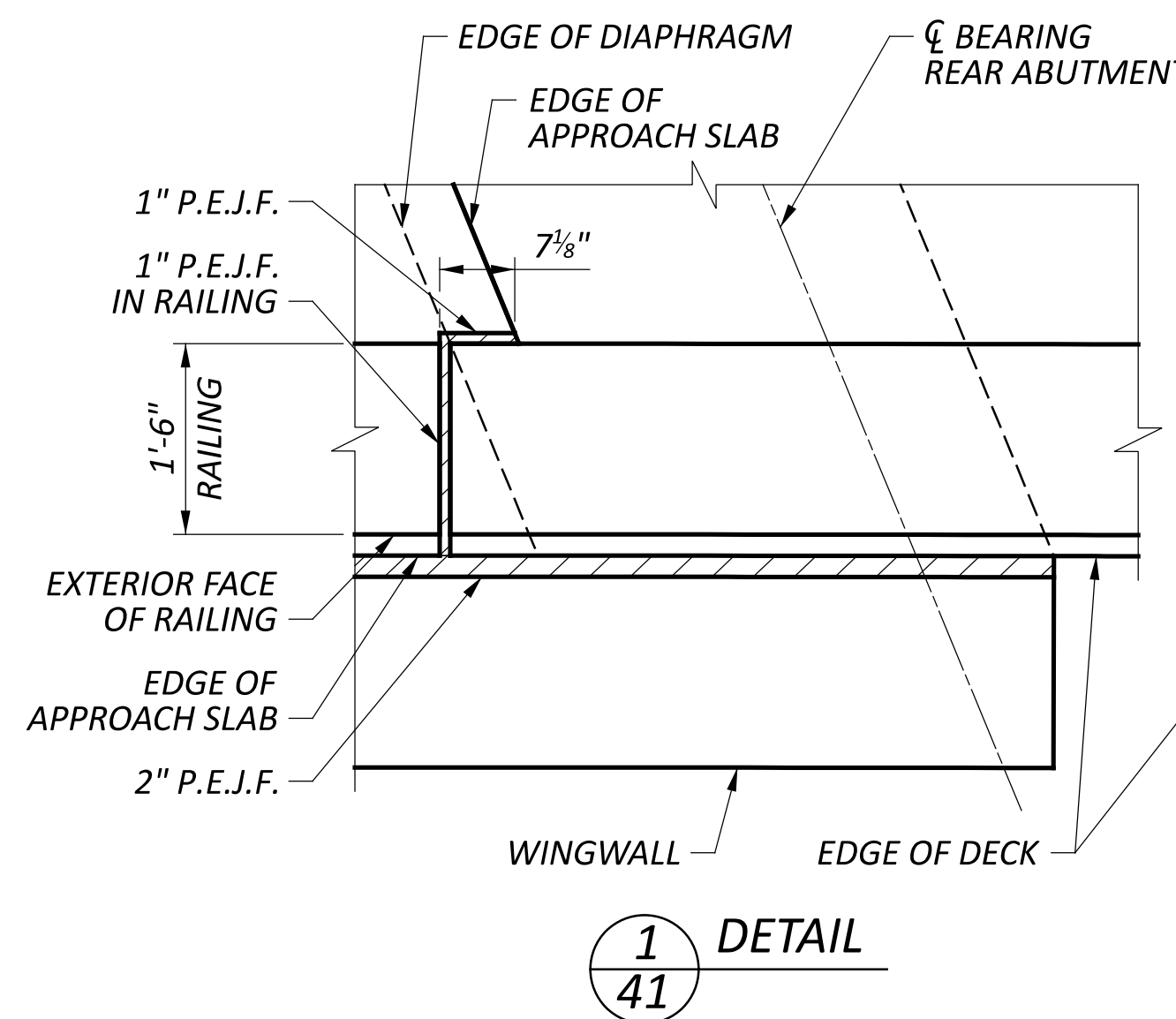
RIGHT BRIDGE  
REAR APPROACH SLAB PLAN



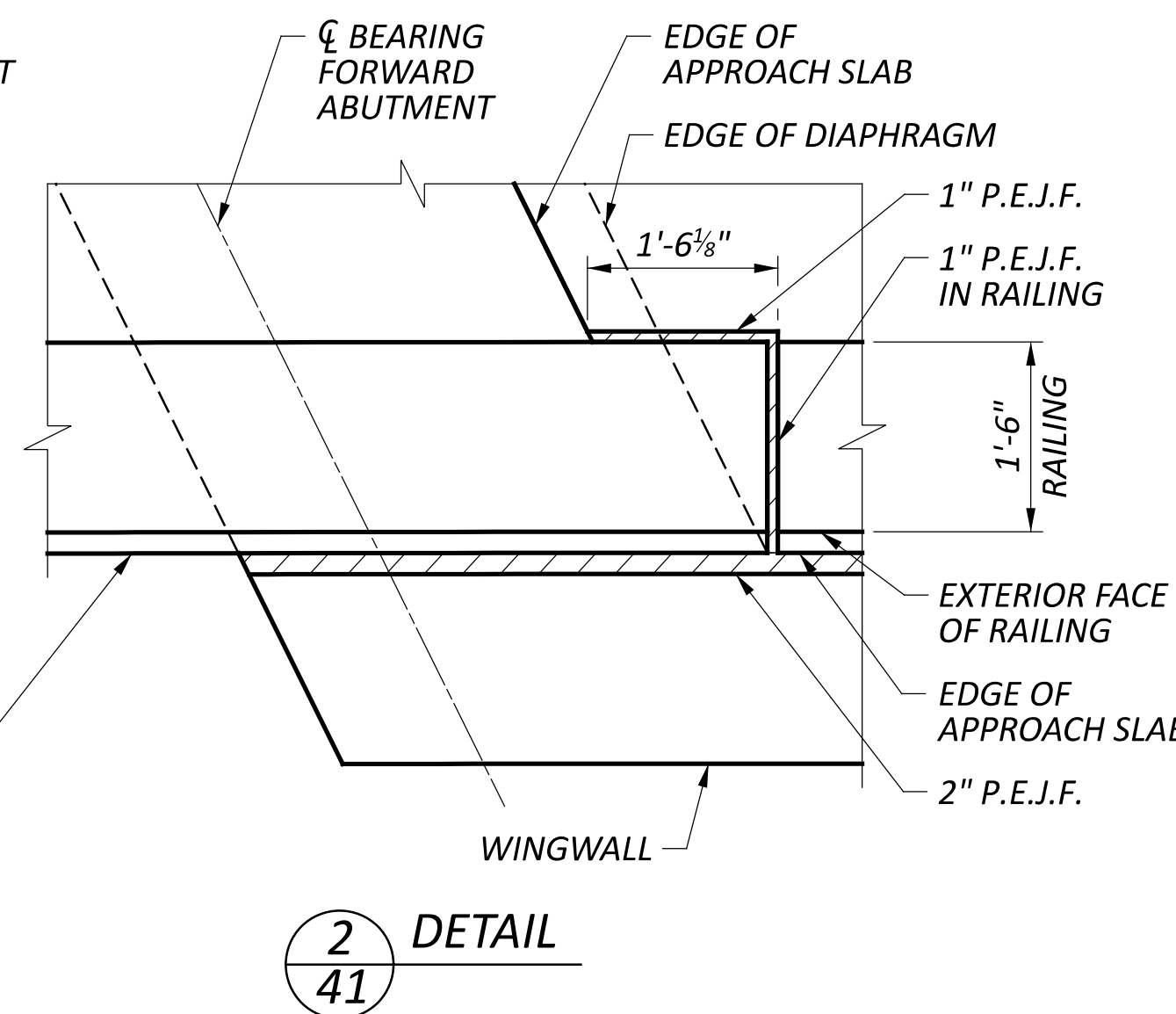
RIGHT BRIDGE  
FORWARD APPROACH SLAB PLAN

REAR APPROACH SLAB LOCATIONS							
APPROACH SLAB SURFACE ELEVATIONS (SEE NOTE 4)			SLEEPER SLAB ELEVATIONS				
	STATION	OFFSET	ELEVATION		STATION	OFFSET	ELEVATION
A	103+55.41	9.13' RT.	535.91	E	103+51.49	9.13' RT.	534.68
B	103+73.58	54.13' RT.	533.73	F	103+69.18	54.13' RT.	532.49
C	103+80.50	9.13' RT.	535.81	G	103+59.73	9.13' RT.	534.65
D	103+99.10	54.04' RT.	533.63	H	103+77.97	54.13' RT.	532.46

FORWARD APPROACH SLAB LOCATIONS							
APPROACH SLAB SURFACE ELEVATIONS (SEE NOTE 4)			SLEEPER SLAB ELEVATIONS				
	STATION	OFFSET	ELEVATION		STATION	OFFSET	ELEVATION
I	105+68.16	9.13' RT.	535.59	M	105+88.78	9.13' RT.	534.37
J	105+90.37	54.04' RT.	533.52	N	106+11.45	54.13' RT.	532.30
K	105+93.26	9.13' RT.	535.63	O	105+97.74	9.13' RT.	534.39
L	106+16.01	54.13' RT.	533.55	P	106+20.07	54.13' RT.	532.31



1  
41  
DETAIL



2  
41  
DETAIL

**LEGEND:**

\* MEASURED ALONG EDGE OF APPROACH SLAB

**NOTES:**

- FOR THE 25-FT. APPROACH SLAB REINFORCEMENT REQUIREMENTS AND ADDITIONAL STANDARD APPROACH SLAB DETAILS, SEE GENERAL NOTE ITEM 526 - REINFORCED CONCRETE APPROACH SLABS WITH QC/QA (T=15"), AS PER PLAN AND ODOT STANDARD DRAWING AS-1-15.
- FOR APPROACH SLAB TYPE A INSTALLATION REQUIREMENTS, SEE ODOT STANDARD DRAWING AS-2-15.
- FOR APPROACH SLAB RAILING DETAILS, SEE SHEETS 38 AND 39 OF 44.
- APPROACH SLAB SURFACE ELEVATIONS ARE GIVEN AT TOP OF CONCRETE APPROACH SLAB, UNDERNEATH THE ASPHALT.