

BUT - SR 4-0.00/Various
 040501 PID - 24588
 Dist 8 9/22/2004

STATE OF OHIO
 DEPARTMENT OF TRANSPORTATION

BUT-4-0.00/ VARIOUS
BUTLER COUNTY
SIGN AND SUPPORT UPGRADE

PROJECT DESCRIPTION
 UPGRADE SIGNS AND SUPPORTS ON VARIOUS
 ROUTES IN BUTLER COUNTY.

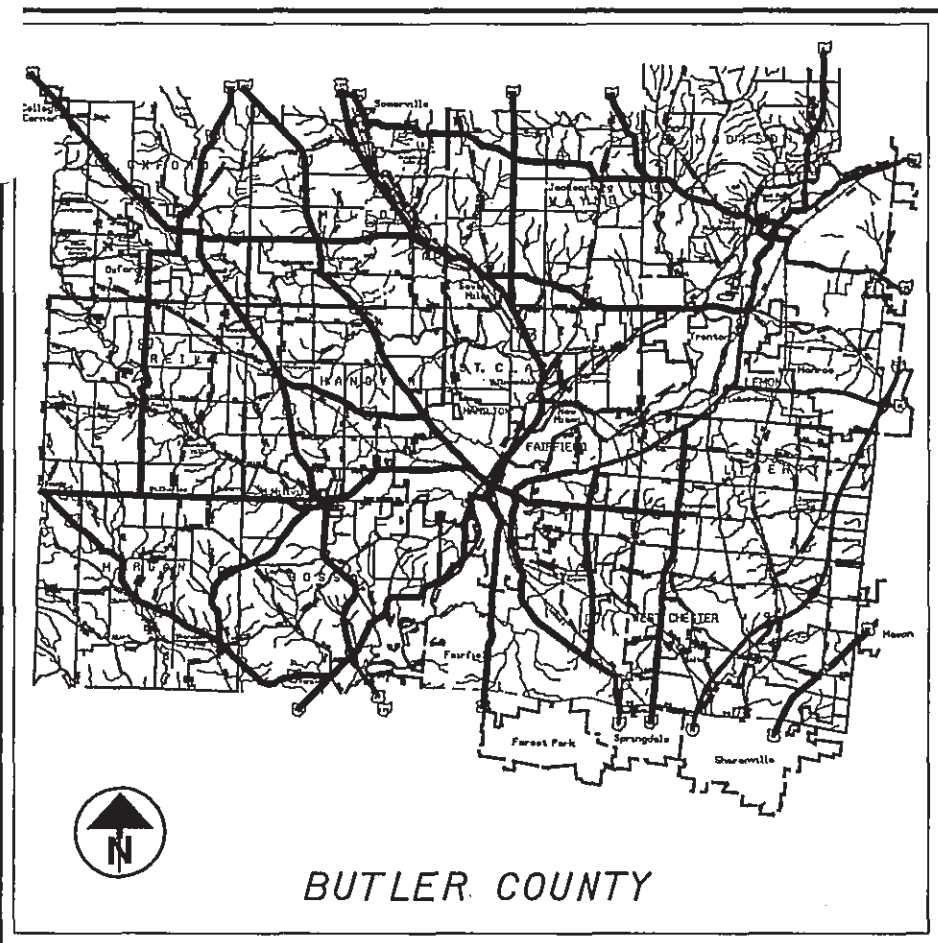
LIMITED ACCESS

THIS IMPROVEMENT IS ESPECIALLY DESIGNED FOR THROUGH TRAFFIC AND HAS BEEN DECLARED A LIMITED ACCESS HIGHWAY OR FREEWAY BY ACTION OF THE DIRECTOR IN ACCORDANCE WITH THE PROVISIONS OF SECTION 5511.02 OF THE OHIO REVISED CODE.

2002 SPECIFICATIONS

THE STANDARD SPECIFICATIONS OF THE STATE OF OHIO, DEPARTMENT OF TRANSPORTATION, INCLUDING CHANGES AND SUPPLEMENTAL SPECIFICATIONS LISTED IN THE PROPOSAL SHALL GOVERN THIS IMPROVEMENT.

I HEREBY APPROVE THESE PLANS AND DECLARE THAT THE MAKING OF THIS IMPROVEMENT WILL NOT REQUIRE THE CLOSING TO TRAFFIC OF THE HIGHWAY AND THAT PROVISIONS FOR THE MAINTENANCE AND SAFETY OF TRAFFIC WILL BE AS SET FORTH ON THE PLANS AND ESTIMATES.



BUTLER COUNTY

LOCATION MAP

INDEX OF SHEETS:

TITLE SHEET	1
LOCATION MAP	2
GENERAL NOTES	3-6
GENERAL SUMMARY	7
SUB-SUMMARIES	8-263
ELEVATIONS	264-270

UNDERGROUND UTILITIES
 TWO WORKING DAYS
BEFORE YOU DIG
 CALL 1-800-362-2764 (TOLL FREE)
 OHIO UTILITIES PROTECTION SERVICE
 NON-MEMBERS
 MUST BE CALLED DIRECTLY

PLAN PREPARED BY:
 ODOT DISTRICT 8
 TRAFFIC MAINTENANCE
 DEPARTMENT

ENGINEER'S SEAL:
 STATE OF OHIO
 TAMMY K. CAMPBELL
 E-62577
 REGISTERED PROFESSIONAL ENGINEER
 SIGNED: *Tammy K. Campbell*
 DATE: 12-10-03

STANDARD CONSTRUCTION DRAWINGS

TC-18.24	01/18/02	MT-35.10	04/20/01
TC-18.26	01/18/02	MT-95.31	04/19/02
TC-41.20	01/19/01	MT-95.32	04/19/02
TC-41.50	07/18/03	MT-97.10	04/19/02
TC-42.10	01/19/01	MT-105.10	10/18/02
TC-42.20	04/20/01	MT-105.11	10/18/02
TC-52.10	04/20/01		
TC-52.20	04/20/01		

SUPPLEMENTAL SPECIFICATIONS

SPECIAL PROVISIONS

APPROVED *[Signature]*
 DATE 12/11/03 DISTRICT DEPUTY DIRECTOR

APPROVED *[Signature]*
 DATE 4-19-04 DIRECTOR, DEPARTMENT OF TRANSPORTATION

FEDERAL PROJECT NO.
E0406313

PID NO.
24588

CONSTRUCTION PROJECT NO.

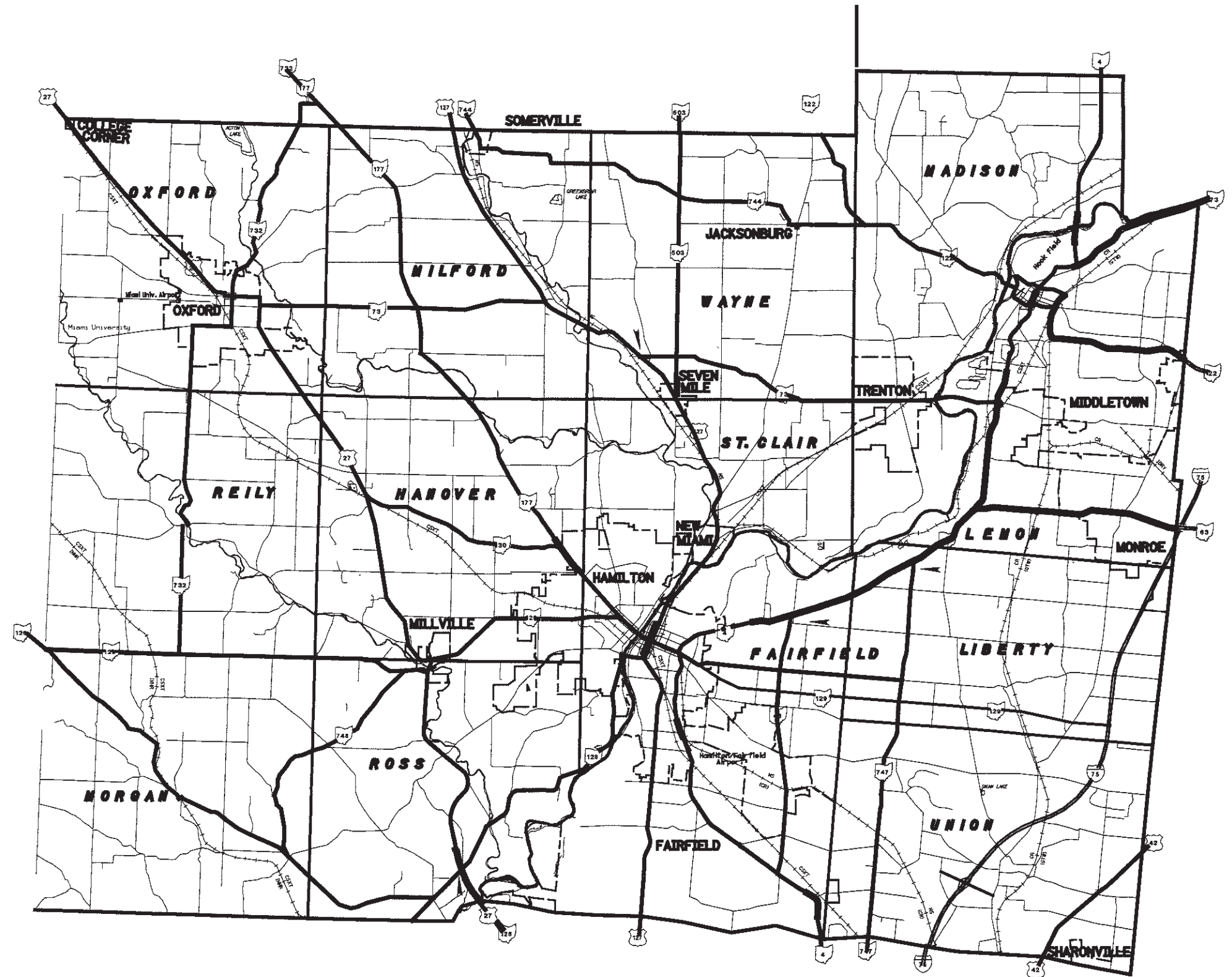
RAILROAD INVOLVEMENT

NONE

BUT-4-0.00

1/270

10-DEC-2003 3:05PM mgrake Jobs\But\24588\util.dgn



HORIZONTAL
SCALE IN FEET

CALCULATED
CHECKED

BUTLER COUNTY

BUT-4-0.00

COOPERATION BETWEEN CONTRACTORS

THE CONTRACTOR SHALL BE ADVISED THAT OTHER PROJECTS MAY BE ONGOING IN AREAS IMMEDIATELY ADJACENT TO AND WITHIN THE PROJECT LIMITS OF THIS PROJECT. THE CONTRACTOR SHALL SCHEDULE HIS WORK SO AS TO CAUSE A MINIMUM OF DELAY OR CONFLICT WITH THE OTHER PROJECTS IN ACCORDANCE WITH 105.08. THE CONTRACTOR SHALL ARRANGE WITH THE OTHER CONTRACTORS A MUTUALLY ACCEPTABLE WORK SCHEDULE, SUBJECT TO THE APPROVAL OF THE ENGINEER. THE CONTRACTOR SHALL RECEIVE DAILY APPROVAL FROM THE ENGINEER PRIOR TO COMMENCING ANY OPERATIONS. ANY CONFLICT BETWEEN CONTRACTORS INVOLVING WORK SCHEDULES, WORK AREA OR COOPERATION SHALL BE RESOLVED BY THE ENGINEER. COMPENSATION FOR THE ABOVE COOPERATION SHALL BE INCIDENTAL TO THE VARIOUS PAY ITEMS INCLUDED WITHIN THIS PROJECT.

PROPERTY RESTORATION

THE CONTRACTOR SHALL RESTORE THE WORK AREA TO A CONDITION EQUAL TO THE EXISTING BEFORE THE WORK WAS STARTED. ALL REPLACEMENTS SHALL BE DONE IN ACCORDANCE WITH THE PERTINENT SPECIFICATION ITEMS AND AS DIRECTED BY THE ENGINEER. PAYMENT FOR ALL RESTORATION WORK, INCLUDING MATERIALS, EQUIPMENT, LABOR, INCIDENTALS AND DISPOSAL OF ALL SURPLUS MATERIALS, SHALL BE INCIDENTAL TO AND PAID FOR UNDER THE PERTINENT BID ITEMS.

ITEM 630 SIGNING, MISC.: AS-BUILT LOG SHEETS

THE CONTRACTOR SHALL SUPPLY AS-BUILT LOG SHEETS AT THE END OF THE PROJECT. ODOT WILL SUPPLY A WORDPERFECT FILE AT THE PRECONSTRUCTION MEETING OF ALL THE SUBSUMMARY SHEETS. THE CONTRACTOR SHALL MODIFY THE SHEETS TO INCLUDE ANY CHANGES TO THE EXISTING SUBSUMMARY SHEETS, ANY ADDITIONAL SIGNS AND ANY OTHER ITEMS MODIFIED DURING THE CONTRACT. THE CONTRACTOR SHALL SUBMIT THE REVISED WORDPERFECT FILE AND ONE PAPER COPY OF THE LOG SHEETS. THIS WORK WILL BE PAID FOR AT THE LUMP SUM BID PRICE FOR ITEM 630 SIGNING, MISC: AS-BUILT LOG SHEETS.

ITEM 630 - SIGNS

FOR SIGN POSITION UNLESS OTHERWISE DIRECTED BY THE ENGINEER THE FOLLOWING CONDITIONS SHALL APPLY. WHERE PHYSICAL CONDITIONS PERMIT, SIGNS SHALL HAVE THE CORRECT LATERAL AND VERTICAL CLEARANCE WITH RESPECT TO THE EDGE OF PAVEMENT IN ACCORDANCE WITH THE MINIMUM DISTANCE SHOWN ON THE STANDARD DRAWING. WHERE PHYSICAL CONDITIONS PERMIT SIGNS ERECTED ON NEW POST SUPPORT SHALL BE LOCATED LONGITUDINALLY TO THE ROADWAY IN THE SAME POSITION AS THE EXISTING SIGNS. THE PLANS ARE APPROXIMATE TO SHOW THE ORDER OF SIGNS IN RELATIONSHIP TO EACH OTHER AND ARE NOT TO BE CONSIDERED EXACT LOCATIONS. SIGNS INDICATED AS NEW INSTALLATIONS SHALL BE LOCATED AS APPROVED BY THE ENGINEER. EXISTING SIGNS NOT SHOWN ON THE SUBSUMMARY AS WORK LOCATIONS SHALL NOT BE DISTURBED.

ITEM 630 SIGNING, MISC.: SIGN LOCATION LABEL

IN ADDITION TO THE SIGN IDENTIFICATION STICKER LISTED IN ITEM 630.04, THE CONTRACTOR SHALL SUPPLY ANOTHER STICKER LISTING THE SIGN LOCATION AS SHOWN BELOW. THE LOCATION STICKER SHALL BE FABRICATED IN THE SAME WAY AS THE SIGN IDENTIFICATION STICKER. THE LOCATION STICKER SHALL BE PLACED DIRECTLY ABOVE THE IDENTIFICATION STICKER. AT THE TIME OF SIGN ERECTION, THE CORRECT COUNTY, ROUTE NUMBER, STRAIGHT LINE MILEAGE AND DIRECTION SHALL BE INDICATED BY THE CONTRACTOR BY SCRATCHING OUT THE APPROPRIATE ITEMS. THE MILE MARKER SIGNS SHALL NOT HAVE A LOCATION STICKER. ANY ADDITIONAL STICKERS SHALL BECOME THE PROPERTY OF ODOT. ALL LABOR, MATERIAL, AND EQUIPMENT WILL BE PAID FOR UNDER THE UNIT PRICE BID ITEM 630 SIGNING, MISC: SIGN LOCATION LABEL.

PROPERTY OF THE STATE OF OHIO																				
BUT			CLE			CLI			GRE			HAM			PRE			WAR		
ROUTE									SLM											
0	1	2	3	4	5	6	7	8	9	0	1	2	3	4	5	6	7	8	9	
0	1	2	3	4	5	6	7	8	9	0	1	2	3	4	5	6	7	8	9	
0	1	2	3	4	5	6	7	8	9	0	1	2	3	4	5	6	7	8	9	
										0	1	2	3	4	5	6	7	8	9	

ITEM 631 REMOVAL OF SIGN SERVICE AND DISPOSAL, AS PER PLAN

THIS ITEM SHALL CONSIST OF REMOVAL OF SIGN SERVICE CABLES TO THE SERVICE PULL BOX. CONNECTION OF THE REMAINING CABLES SHALL CONFORM TO 625.15 TO INSURE CIRCUIT CONTINUITY. THE EXISTING HIGHWAY LIGHTING CIRCUIT SHOULD BE OPERATIONAL AFTER THE CONNECTIONS ARE MADE.

CONSTRUCTION INITIATION

THE CONTRACTOR SHALL ADVISE THE DISTRICT FOURTEEN DAYS PRIOR TO THE START OF CONSTRUCTION ACTIVITIES. THE CONTRACTOR WILL IMMEDIATELY INFORM THE PROJECT ENGINEER OF ANY AND ALL DELAYS AND CHANGES REGARDING THE CONSTRUCTION PROJECT. THE PROJECT ENGINEER WILL PROVIDE ASSISTANCE/CLARIFICATION FOR ANY QUESTIONS.

UNLESS OTHERWISE DIRECTED BY THE ENGINEER ALL SIGNING WORK SHALL BE IN ACCORDANCE WITH: THIS PLAN, THE OHIO MANUAL OF UNIFORM TRAFFIC CONTROL DEVICES, THE STATE OF OHIO DEPARTMENT OF TRANSPORTATION CONSTRUCTION AND MATERIALS SPECIFICATIONS, AND THE STANDARD CONSTRUCTION DRAWINGS LISTED ON THE TITLE SHEET AND VOLUMES I AND II OF THE STANDARD SIGN DESIGN MANUAL.

INTERIM COMPLETION DATE

AN INTERIM DATE OF COMPLETION FOR THIS CONTRACT IS SET 30 DAYS PRIOR TO THE FINAL COMPLETION DATE. ALL CONTRACT ITEMS OF WORK MUST BE COMPLETED BY THE INTERIM COMPLETION DATE. THE INTERIM DATE WILL BE SUBJECT TO LIQUIDATED DAMAGES AS INDICATED BY SECTION 108.07 OF THE CONSTRUCTION AND MATERIALS SPECIFICATIONS BOOK. REQUEST FOR TIME EXTENSIONS TO THE INTERIM COMPLETION DATE WILL BE PROCESSED AS PER 108.06 OF THE SPECIFICATION BOOK. THE PERIOD OF TIME BETWEEN THE INTERIM COMPLETION DATE AND THE FINAL COMPLETION DATE IS STRICTLY TO ALLOW FOR COMPLETION OF THE "PUNCH LIST" ITEMS AND REMOVAL OF THE PROJECT FIELD OFFICE(S). FAILURE TO COMPLETE THE "PUNCH LIST" AND REMOVE THE FIELD OFFICE(S) BY THE FINAL COMPLETION DATE WILL RESULT IN ASSESSMENT OF LIQUIDATED DAMAGES AS PER 108.07 OF THE SPECIFICATIONS BOOK.

A GRANTED TIME EXTENSION TO THE INTERIM COMPLETION DATE WILL NOT INCLUDE A CORRESPONDING EXTENSION TO THE FINAL COMPLETION DATE. EXTENSIONS OF TIME TO THE FINAL COMPLETION DATE WILL ONLY BE GRANTED IF IT CAN BE JUSTIFIED THAT NOT ENOUGH TIME EXISTS TO COMPLETE "PUNCH LIST" ITEMS AND REMOVE THE PROJECT FIELD OFFICE(S) PRIOR TO FINAL COMPLETION DATE.

I:\Tr\mgrade\Design\Jobs\But\24588\notes2.dgn 08-DEC-2003 3:28PM mgr:ake

GENERAL NOTES

BUT - 4 - 0.00

GENERAL

THE PURPOSE OF THIS CONTRACT IS TO UPGRADE THE SIGNING ON VARIOUS ROUTES IN DISTRICT EIGHT. THE WORK CONSISTS OF REPLACING DEFICIENT SIGNS AND POST SUPPORTS, ERECTING NEW SIGNS AND SUPPORTS, REERECTING EXISTING SIGNS ON NEW POST SUPPORTS, AND REMOVING SIGNS AND POST SUPPORTS. THE WORK FOR EACH ROUTE WILL BE WITHIN THE LIMITS AS SHOWN ON THE PLANS.

THE PLAN QUANTITIES ARE ESTIMATES BASED ON SURVEYS OF EACH ROUTE. ALTHOUGH WE BELIEVE THE SURVEYS TO BE ESSENTIALLY COMPLETE, WE CANNOT GUARANTEE THEIR ACCURACY DUE TO CONTINUALLY CHANGING CONDITIONS OF THE SIGNS. THE CONTRACTOR SHALL, UNDER DIRECTION OF THE ENGINEER, REPLACE ALL DEFICIENT SIGNS AND SUPPORTS. IN NO CASE SHALL THE CONTRACTOR REMOVE ANY EXISTING SIGN UNTIL THE APPLICABLE REPLACEMENT SIGN HAS BEEN ERECTED OR CAN IMMEDIATELY THEREAFTER BE ERECTED. PAYMENT FOR ANY LAYOUT WORK OF SIGNS SHALL BE INCIDENTAL TO AND PAID FOR UNDER THE PERTINENT BID ITEMS.

SIGN POSITION

UNLESS OTHERWISE DIRECTED BY THE ENGINEER, THE FOLLOWING CONDITIONS SHALL APPLY: SIGNS ERECTED OR REERECTED ON NEW POST SUPPORTS SHALL BE LOCATED Laterally TO THE ROADWAY IN ACCORDANCE WITH THE MINIMUM DISTANCES SHOWN ON THE STANDARD DRAWING WHERE PHYSICAL CONDITIONS PERMIT. SIGNS ERECTED OR REERECTED ON NEW POSTS SHALL BE LOCATED LONGITUDINALLY TO THE ROADWAY IN THE SAME POSITION AS THE EXISTING SIGN, EXCEPT WHERE THE PLANS SHOW A NEW LOCATION. ALL STOP SIGNS ERECTED OR REERECTED ON NEW POST SUPPORTS SHALL BE LOCATED AS NEAR AS PRACTICABLE IN THE SAME POSITION AS THE EXISTING STOP SIGN. ALL SIGNS SHALL BE MOUNTED AT THE MINIMUM DISTANCE ABOVE THE EDGE OF THE PAVEMENT AS SHOWN ON THE STANDARD DRAWINGS.

IT IS RECOMMENDED THAT THE CONTRACTOR USE A VEHICLE DISTANCE MEASURING DEVICE TO DETERMINE SIGN LOCATIONS LISTED ON THE PLAN. VARIOUS EXISTING SIGNS WERE FOUND TO BE IN INCORRECT LOCATIONS. THE CONTRACTOR SHALL RELOCATE THESE SIGNS TO THE CORRECT LOCATIONS AS INDICATED IN THE SUB-SUMMARY SHEETS.

ANY SPECIAL SIGNS (E.G. TOWNSHIP, VILLAGE, SPECIAL INTEREST) REMOVED AND NOT REINSTALLED SHOULD BE RETURNED TO THE ENGINEER FOR PICK-UP BY THE VILLAGE, TOWNSHIP OR SPECIAL INTEREST GROUP. THE SIGNS WILL BE STORED AT THE ODOT BUTLER COUNTY GARAGE.

ITEM 614 MAINTAINING TRAFFIC

THE CONTRACTOR SHALL SUBMIT DETAILED TRAFFIC CONTROL PLANS TO THE ENGINEER INCLUDING WRITTEN DESCRIPTIONS OF THE METHOD FOR MAINTENANCE OF TRAFFIC A MINIMUM OF 14 CALENDAR DAYS PRIOR TO THE START OF WORK FOR REVIEW. THE INTENT OF THE PROVISIONS BELOW SHALL BE FOLLOWED AND NO ADDITIONAL INCONVENIENCE TO THE TRAVELING PUBLIC RESULTS THEREFROM.

IN ADDITION TO THE REQUIREMENTS OF ITEM 614 MAINTAINING TRAFFIC THE FOLLOWING SHALL APPLY:

NO LANE CLOSURE SHALL BE INSTALLED UNLESS APPROVED BY THE ENGINEER. WHEN IT IS NECESSARY TO CLOSE ONE LANE OF TRAFFIC ADJACENT TO THE WORK, THE CLOSURE SHALL BE ACCOMPLISHED BY THE APPLICATION OF TRAFFIC CONTROL DEVICES AS SHOWN ON ODOT STANDARD CONSTRUCTION DRAWINGS AND THE OHIO MANUAL OF UNIFORM TRAFFIC CONTROL DEVICES (OMUTCD). ALL ADVANCE WARNING SIGNS FOR ANY CONDITION WHICH RESTRICTS TRAFFIC SHALL BE ERECTED BEFORE ANY SUCH RESTRICTION IS PUT INTO EFFECT. ALL SUCH SIGNS SHALL BE COVERED OR REMOVED FROM THE VIEW OF TRAFFIC WHEN THEY ARE NOT APPLICABLE, AS DETERMINED BY THE ENGINEER. FOR WORK WHICH IS CONFINED TO THE SHOULDER, TRAFFIC CONTROL SHALL CONFORM TO FIGURES 6H-1, 6H-3, 6H-4, 6H-6 OF THE (OMUTCD).

DURING ALL PHASES OF THIS PROJECT, WORK SHALL BE CONDUCTED IN A MANNER THAT WILL ASSURE MINIMUM DANGER AND INCONVENIENCE TO THE TRAVELING PUBLIC.

SERVICE TRUCKS AND RELATED CONSTRUCTION VEHICLES SHALL BE EQUIPPED WITH A 360° ROTATING OR FLASHING AMBER BEACON CLEARLY VISIBLE A MINIMUM OF 1/4 MILE.

FOR SAFETY PURPOSES, NO EQUIPMENT, VEHICLES, OR MATERIALS SHALL BE PARKED OR STORED WITHIN THIRTY (30) FEET OF THE EDGE OF PAVEMENT UNLESS PROTECTED BY GUARDRAIL.

IF THE CONTRACTOR FAILS TO COMPLY WITH THE PROVISIONS FOR TRAFFIC CONTROL AS SET FORTH IN THESE PLANS AND PROVISIONS OF THE OMUTCD AND THE FAILURE RESULTS IN A CONDITION AT THE SITE THAT IS UNSAFE FOR TRAFFIC, THE ENGINEER SHALL SUSPEND WORK UNTIL THE CONTRACTOR COMPLIES WITH THE NECESSARY REQUIREMENTS.

ON TWO LANE ROADS, A MINIMUM OF ONE LANE TWO WAY TRAFFIC SHALL BE MAINTAINED. ON MULTIPLE LANE ROADS, A MINIMUM OF ONE LANE IN EACH DIRECTION SHALL BE MAINTAINED.

TWO WAY TRAFFIC SHALL BE MAINTAINED, WHERE POSSIBLE, THROUGHOUT THE LENGTH OF THIS PROJECT CONSISTENT WITH THE REQUIREMENTS OF SPECIFICATION 614 AND IN CONFORMANCE WITH THE TRAFFIC CONTROL AS SHOWN IN FIGURE 6H-3, PAGE 6-141 OF THE OHIO MANUAL OF UNIFORM TRAFFIC CONTROL DEVICES.

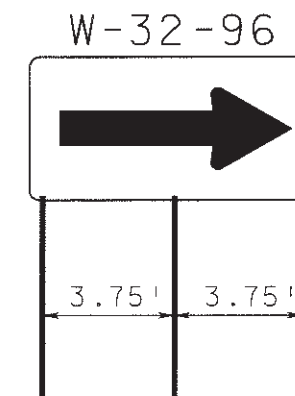
PAYMENT FOR THE MAINTENANCE OF TRAFFIC ITEMS, UNLESS SPECIFIED SEPARATELY, SHALL BE AT THE LUMP PRICE BID FOR ITEM 614 MAINTAINING TRAFFIC, WHICH SHALL INCLUDE ALL LABOR, EQUIPMENT AND INCIDENTALS TO COMPLETE THE WORK AS DETAILED IN THE PLANS.

CONTINGENCY QUANTITIES

THE FOLLOWING CONTINGENCY QUANTITIES ARE PROVIDED FOR USE AS DIRECTED BY THE ENGINEER FOR ANY SIGNS THAT ARE NOT INCLUDED IN THE CONTRACT

- ITEM 630, SIGN, FLAT SHEET, 400 SQ.FT TYPE G
ITEM 630, GROUND MOUNTED SUPPORT, 1,000 LIN FT NO. 3 POST

TYPICAL INSTALLATION OF W-32-96 SIGN ON 3 EACH NO. 3 POSTS



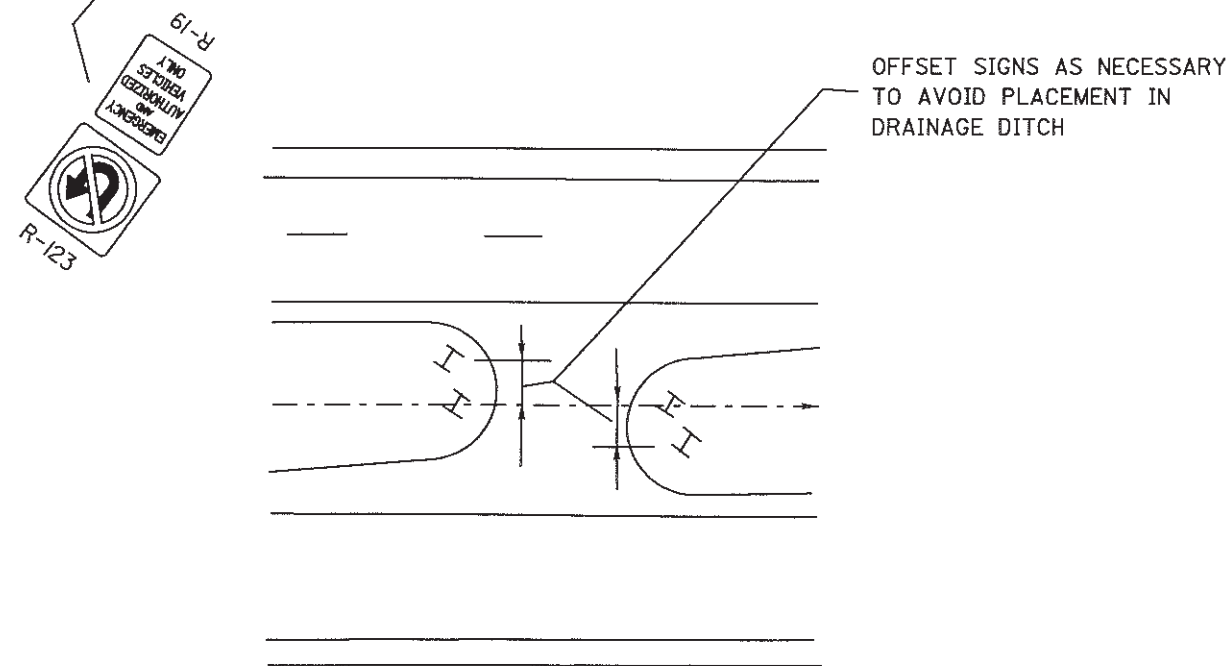
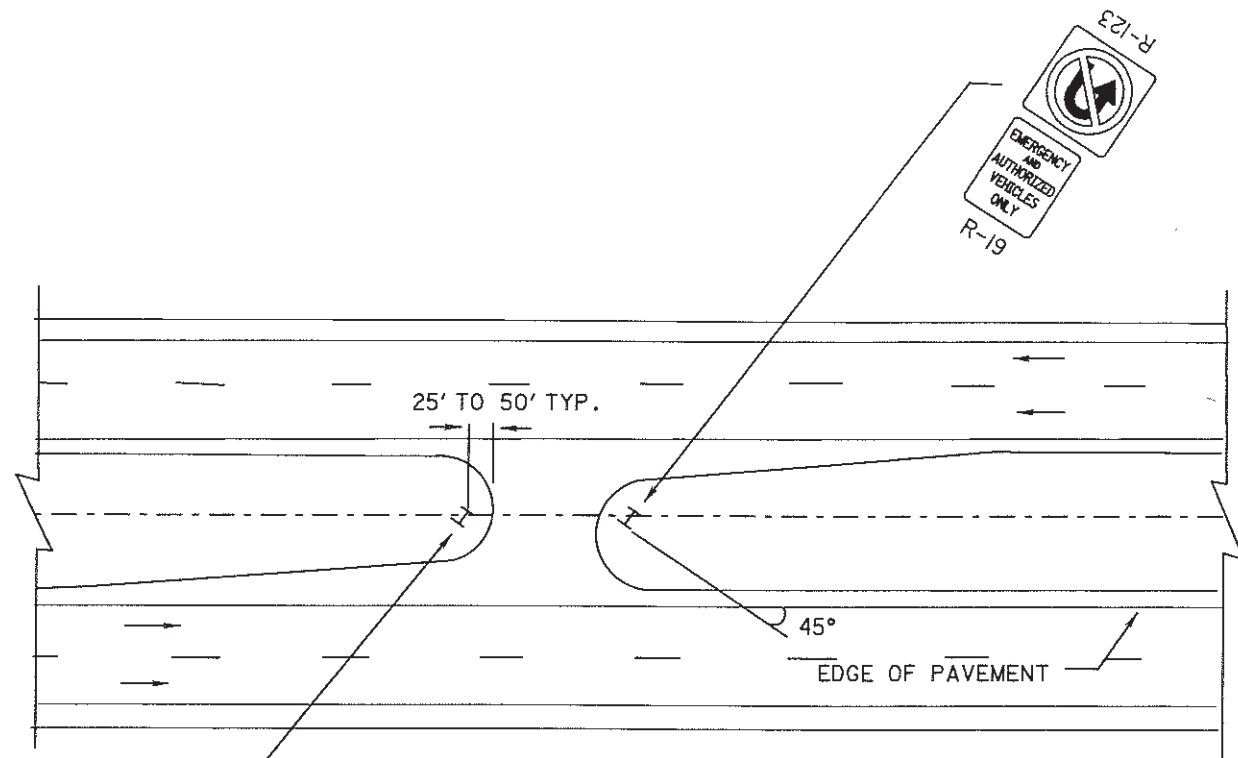
I:\Tr\mgrade\Design\Jobs\But\24588\notes2.dgn 08-DEC-2003 3:29PM mgr.dke

CALCULATED CHECKED

GENERAL NOTES

BUT-4-0.00

TYPICAL SIGNING FOR MEDIAN CROSSOVERS



ALTERNATE SIGN PLACEMENT DETAIL

THE SIGN CODES LISTED ON THE PLAN SHEETS OF THIS PROJECT CONFORM TO THE PREVIOUS O.D.O.T. SIGN CODE NUMBERING SYSTEM. SINCE THE RELEASE OF THE 2003 OHIO MANUAL OF UNIFORM TRAFFIC CONTROL DEVICES (O.M.U.T.C.D.), THE SIGN CODE NUMBERING SYSTEM HAS CHANGED TO CONFORM TO THE NEW F.H.W.A SIGN CODE NUMBERING SYSTEM. IN ORDER TO COMPLY WITH THE NEW FHWA SYSTEM, A CROSS REFERENCE GUIDE FROM THE ODOT TO THE FHWA SIGN CODES WILL BE PROVIDED AT THE PRE-CONSTRUCTION MEETING.

PLAN DETAIL DRAWINGS FOR INTERCHANGE RAMP ARE LOCATED IN THE SUB SUMMARIES ON THE FOLLOWING SHEETS:

S.R. 4 @ S.R. 63 SHEET 31

S.R. 4 @ S.R. 73 SHEET 39

U.S. 27 @ S.R. 128 SHEET 57 & 58

UTILITIES

BELOW IS A LIST OF UTILITY COMPANIES WHICH MAY HAVE UNDERGROUND INSTALLATIONS ALONG THE VARIOUS ROUTES AFFECTED BY THIS PROJECT. THIS IS NOT TO BE CONSIDERED AS A COMPLETE LIST, BUT RATHER AS A DIRECTORY OF THE MOST FREQUENTLY ENCOUNTERED COMPANIES.

ADELPHIA COMMUNICATIONS - CABLE T.V.
3416 STATE ROUTE 132
AMELIA, OH 45102
PHONE 513-615-2627
ATTN: MIKE BOONE

OXFORD NATURAL GAS
5181 COLLEGE CORNER PIKE
OXFORD, OH 45056
PHONE 513-523-2555
ATTN: DAVID STROHMIER

SBC (AMERITECH)
3233 WOODMAN DRIVE
DAYTON, OH 45420
PHONE 937-296-3531
ATTN: TIM CALLAHAN

SOUTHWEST REGIONAL WATER DIST.
3640 OLD OXFORD HIGHWAY
HAMILTON, OH 45013
PHONE 513-863-0828
ATTN: NORMA PENNOCK

AT&T COMMUNICATIONS - FIBER OPTIC
229 W 7TH STREET,
10TH FLOOR
CINCINNATI, OH 45202
PHONE 513-784-3238
ATTN: JEFF BALLINGER

TEPP CO - PRODUCT PIPELINES
3590 YANKEE ROAD
MIDDLETOWN, OH 45044
PHONE 513-423-2122
ATTN: TODD HARRISON

BUTLER COUNTY ENGINEER - UTILITY/PERMITS
1921 FAIR GROVE AVENUE
HAMILTON, OH 45011
PHONE 513-678-6328
ATTN: JERRY GARRETT

TIME WARNER CABLE (DAYTON)
275 LEO STREET
DAYTON, OH 45404
PHONE 937-425-8871
ATTN: REUBEN LEMASTER

BUTLER COUNTY ENVIRONMENTAL
WATER & SEWER DEPARTMENT
130 HIGH STREET
HAMILTON, OH 45013
PHONE 513-887-3114
ATTN: DENNIS COOK

TIME WARNER CABLE (CINCINNATI)
11252 CORNELL PARK DRIVE
CINCINNATI, OH 45242
PHONE 513-469-5483
ATTN: GARY NAPIER

BUTLER RURAL ELECTRIC CORP.
3888 STILLWELL BECKETT ROAD
OXFORD, OH 45056
PHONE 513-867-4400
ATTN: MIKE SIMS

TEXAS GAS TRANSMISSION
3223 HART ROAD
LEBANON, OH 45036
PHONE 513-932-7786
ATTN: CLYDE CHILDRESS

CINCINNATI BELL TELEPHONE
201 EAST 4TH STREET
MAIL LOCATION 103-1175
CINCINNATI, OH 45202
PHONE 513-565-7043
ATTN: KEITH GALEY

TEXAS EASTERN TRANSMISSION CORP.
157 STATE ROUTE 122 WEST
LEBANON, OH 45036
PHONE 513-933-6031
ATTN: GLEN INGAM

CINERGY - GAS
139 EAST 4TH STREET
ROOM 460A
CINCINNATI, OH 45202
PHONE 513-287-1928
ATTN: ALLEN MESSER

VERIZON
100 IOWA STREET
GEORGETOWN, OH 45121
PHONE: 937-378-2222
ATTN: ROB LATHAM

CINERGY - ELECTRIC
139 EAST 4TH STREET
ROOM 467A
CINCINNATI, OH 45202
PHONE 513-287-1043
ATTN: GEORGE NELTNER

CALCULATED
CHECKED

GENERAL NOTES

BUT-4-0.00

6
270

SHEET NUMBER

SHEET NUMBER								ITEM	ITEM EXT.	GRAND TOTAL	UNIT	DESCRIPTION	SEE SHEET NO.		
								1,000	40,147	630	03100	41,147	FT	GROUND MOUNTED SUPPORT, NO. 3 POST	
										630	06400	221.6	FT	GROUND MOUNTED SUPPORT, S4X7.7 BEAM	
										630	06500	62.2	FT	GROUND MOUNTED SUPPORT, W6X9 BEAM	
										630	07600	309.2	FT	GROUND MOUNTED SUPPORT, W10X12 BEAM	
										630	08004	114	FT	ONE WAY SUPPORT, NO. 3 POST	
										630	09000	34	EACH	BREAKAWAY BEAM CONNECTION	
										630	75000	13	EACH	SIGN ATTACHMENT ASSEMBLY	
										630	77900	2	EACH	OVERPASS STRUCTURE MOUNTED SIGN SUPPORT, TYPE TC-18.26, DESIGN 9	
								400	17598	630	80100	17,998	SQ FT	SIGN, FLAT SHEET	
										630	80200	2,885	SQ FT	SIGN, GROUND MOUNTED EXTRUSHEET	
										630	80224	472	SQ FT	SIGN, OVERHEAD EXTRUSHEET	
										630	84500	34	EACH	GROUND MOUNTED BEAM SUPPORT FOUNDATION	
										630	80600	167	EACH	SIGN, DOUBLE FACED, MILE MARKER	
										630	84900	3,979	EACH	REMOVAL OF GROUND MOUNTED SIGN AND DISPOSAL	
										630	85100	188	EACH	REMOVAL OF GROUND MOUNTED SIGN AND REERECTION	
										630	85400	14	EACH	REMOVAL OF GROUND MOUNTED MAJOR SIGN AND DISPOSAL	
										630	86002	3,258	EACH	REMOVAL OF GROUND MOUNTED POST SUPPORT AND DISPOSAL	
										630	86102	16	EACH	REMOVAL OF GROUND MOUNTED BEAM SUPPORT AND DISPOSAL	
										630	86310	15	EACH	REMOVAL OF STRUCTURE MOUNTED SIGN AND DISPOSAL	
										630	87400	6	EACH	REMOVAL OF OVERHEAD MOUNTED SIGN AND DISPOSAL	
										630	89808	2	EACH	REMOVAL OF OVERHEAD SIGN SUPPORT AND DISPOSAL, TYPE 18.26	
										630	97700	4,000	EACH	SIGNING, MISC.: SIGN LOCATION LABEL	
										630	95000	LUMP		SIGNING, MISC.: AS-BUILT LOG SHEETS	
										631	94200	5	EACH	REMOVAL OF LUMINAIRE AND DISPOSAL	
										631	94404	5	EACH	REMOVAL OF BALLAST AND DISPOSAL	
										631	94408	3	EACH	REMOVAL OF SIGN WIRING AND DISPOSAL	
										631	94413	3	EACH	REMOVAL OF SIGN SERVICE AND DISPOSAL, AS PER PLAN	
										614	11000	LUMP		MAINTAINING TRAFFIC	
										624	10000	LUMP		MOBILIZATION	

GENERAL SUMMARY

BUT - 4 - 0.00 / VARIOUS

i:\tr\mgr\oke\gensum.dgn 10-DEC-2003 9:23AM mgr\oke

SIGN REPLACEMENT CONTRACT

BUTLER COUNTY - SR-4

REF. NO.	S.L.M.	SIDE	CODE	SIZE	SIGN EXTRUSHEET	SIGN, FLAT SHEET TYPE "G"	GROUND MOUNTED SUPPORTS NO. 3 POST	SIGN, DOUBLE FACED MILEMARKER, TYPE G	REMOVAL OF GROUND MOUNTED SIGN & DISPOSAL	REMOVAL OF GROUND MOUNTED SIGN & RE-ERECTION	REMOVAL OF GROUND MOUNTED POST SUPPORT & DISPOSAL	REMARKS	
	4 Lane Divided NB Left Side = Median Pvt Change = 9.265 Hamilton Corp. 9.280												
	Hamilton to Monroe			INCHES	SQ.FT.	SQ. FT.	LIN. FT.	EACH	EACH	EACH	EACH		
1	9.293	Rt	D-11A-18	96x18	12.00		12/12		1		2	← FERNWAY DR	SUBSUMMARY
2	9.316	Rt	N-1A-40	40x20		5.56	12/12		1		2	FAIRFIELD TOWNSHIP LIMIT	
3	9.349	Rt	W-26-36						1		1	Remove cross road sign	
			D-8Y-18						1		1	Remove advance street name	
			D-11A-18	96x18	12.00		12/12					← THEODORE AVE (New)	
4	9.372	Rt					12/12			1	2	Re-erect Adopt-A-Highway sign	
5	9.432	Rt	D-11A-18	96x18	12.00		12/12		1		2	← ALLISON AVE	
6	9.601	Rt	R-10-24	24x30		5.00	12		1		1	SPEED LIMIT 55	
7	9.711	Rt	W-86-36	36x36		9.00	13/13		1		1	Begin divided highway symbol	
8	9.901	Rt	D-11A-18	84x18	10.50		14/14		1		2	← FAIRHAM	
			D-11A-30	84x30	17.50				1			WALDON/POND CIR →	
9	9.938	Lt	R-38R-24	24x30		5.00	12		1		1	Keep Right symbol	
10	9.991	Rt	N-45-12	12x12			10	1	1		1	Mile Marker 10	
11	10.013	Lt	R-37R-24	24x30		5.00	12					KEEP RIGHT (New location)	
12	10.076	Lt	R-41B-30	30x30		6.25	12					DO NOT ENTER (New location)	
13	10.076	Rt	R-41B-30	30x30		6.25	12					DO NOT ENTER (New location)	
14	10.082	Lt	R-41B-30						1		1	Remove Do Not Enter sign	
15	10.082	Rt	R-41B-30						1		1	Remove Do Not Enter sign	
16	10.093	Rt	R-43L-48	48x18		6.00	12/12					ONE WAY (Faces side street) (New location)	
	TOTALS CARRIED TO GENERAL SUMMARY												<div style="border: 1px solid black; border-radius: 50%; width: 30px; height: 30px; display: flex; align-items: center; justify-content: center; margin: 0 auto;"> 8 270 </div>

Calculated

Checked

SUBSUMMARY

BUT-4-0.00/Var

SIGN REPLACEMENT CONTRACT

BUTLER COUNTY - SR-4

REF. NO.	S.L.M.	SIDE	CODE	SIZE	SIGN EXTRUSHEET	SIGN, FLAT SHEET TYPE "G"	GROUND MOUNTED SUPPORTS NO. 3 POST	SIGN, DOUBLE FACED MILEMARKER, TYPE G	REMOVAL OF GROUND MOUNTED SIGN & DISPOSAL	REMOVAL OF GROUND MOUNTED SIGN&RE-ERECTION	REMOVAL OF GROUND MOUNTED POST SUPPORT & DISPOSAL	REMARKS	Calculated	Checked
													INCHES	SQ.FT.
17	10.102	Lt	R-37R-24	24x30		5.00	13					KEEP RIGHT (New location)		
18	10.116	Rt	D-11A-18	96x18	12.00		12/12		1		2	← HEADGATES RD		
19	10.161	Lt	R-41B-30	30x30		6.25	12					DO NOT ENTER (New location)		
20	10.161	Rt	R-41B-30	30x30		6.25	12					DO NOT ENTER (New location)		
21	10.166	Lt	R-41B-30						1		1	Remove DO NOT ENTER sign		
22	10.168	Rt	R-41B-30						1		1	Remove DO NOT ENTER sign		
23	10.176	Rt	R-41L-48	48x18		6.00	12/12					ONE WAY (Faces side street) (New location)		
24	10.182	Lt	R-37R-24	24x30		5.00	12		1		1	KEEP RIGHT		
25	10.285	Rt	D-11A-18	96x18	12.00		12/12		1		2	← OAKRIDGE RD		
26	10.335	Rt	R-41L-48	48x18		6.00	12/12					ONE WAY (Faces side street) (New location)		
27	10.364	Lt	R-37R-24	24x30		5.00	12		1		1	KEEP RIGHT		
28	10.371	Rt	W-47-48									Do Not Disturb SIGNAL AHEAD sign		
29	10.417	Rt	D-11A-18	96x18	12.00		13/13		1		2	← CREEKSIDE DR		
			D-11A-18	96x18	12.00				1			MILLIKIN RD →		
30	10.455	Rt	R-31T-54	54x30		11.25	12/12		1		2	LT/THR/THR/RT		
31	10.455	Rt	R-31T-54	54x30		11.25	12/12		1		2	LT/THR/THR/RT		
32	10.533	Lt	R-38R-24						1		1	Remove KEEP RIGHT symbol sign		
			R-37R-24	24x30		5.00	12					KEEP RIGHT		
33	10.553	Rt	M-37-24	24x12		2.00	12					NORTH (New location)		
			M-2-24-2	24x24		4.00						SR-4		
TOTALS CARRIED TO GENERAL SUMMARY													9	270

SIGN REPLACEMENT CONTRACT

BUTLER COUNTY - SR-4

REF. NO.	S.L.M.	SIDE	CODE	SIZE	SIGN EXTRUSHEET	SIGN, FLAT SHEET TYPE "G"	GROUND MOUNTED SUPPORTS NO. 3 POST	SIGN, DOUBLE FACED MILEMARKER, TYPE G	REMOVAL OF GROUND MOUNTED SIGN & DISPOSAL	REMOVAL OF GROUND MOUNTED SIGN&RE-ERECTION	REMOVAL OF GROUND MOUNTED POST SUPPORT & DISPOSAL	REMARKS	
				INCHES	SQ.FT.	SQ. FT.	LIN. FT.	EACH	EACH	EACH	EACH		Calculated Checked
34	10.592	Rt	W-47-30						1		1	Remove SIGNAL AHEAD sign	SUBSUMMARY
35	10.608	Lt	R-121-36						1		1	Remove NO LEFT TURN sign	
			R-43R-48	48x18		6.00	12/12					ONE WAY (Facing side street)	
36	10.608	Rt	R-1-30	30x30		6.25	12		1		1	STOP On side steet	
37	10.633	Lt	M-17-21	21x15		2.19	13		1		1	JCT	
			M-11-24	24x12		2.00			1			BYPASS	
			M-2-24-2	24x24		4.00			1			SR-4	
			M-19-21						1			Remove advance turn arrow sign	
38	10.633	Rt	M-17-21	21x15		2.19	13		1		1	JCT	
			M-11-24	24x12		2.00			1			BYPASS	
			M-2-24-2	24x24		4.00			1			SR-4	
			M-19-21						1			Remove advance turn sign	
39	10.675	Lt	M-11-24	24x12		2.00	13					BYPASS (New location)	BUT-4-0.00/Var
			M-2-24-2	24x24		4.00						SR-4	
			M-19-21	21x15		2.19						Advance right arrow	
40	10.675	Rt	M-11-24	24x12		2.00	13					BYPASS (New location)	
			M-2-24-2	24x24		4.00						SR-4	
			M-19-21	21x15		2.19						Advance right arrow	
41	10.704	Rt	D-1B-72	72x12	6.00		12/12		1		2	← RENTSCHLER / FOREST	
42	10.741	Rt	R-31T-54	54x30		11.25	12/12		1		2	LT/THR/THR/RT	
	TOTALS CARRIED TO GENERAL SUMMARY												10 270

SIGN REPLACEMENT CONTRACT

BUTLER COUNTY - SR-4

REF. NO.	S.L.M.	SIDE	CODE	SIZE	SIGN EXTRUSHEET	SIGN, FLAT SHEET TYPE "G"	GROUND MOUNTED SUPPORTS NO. 3 POST	SIGN, DOUBLE FACED MILEMARKER,TYPE G	REMOVAL OF GROUND MOUNTED SIGN & DISPOSAL	REMOVAL OF GROUND MOUNTED SIGN&RE-ERECTION	REMOVAL OF GROUND MOUNTED POST SUPPORT & DISPOSAL	REMARKS	
				INCHES	SQ.FT.	SQ. FT.	LIN. FT.	EACH	EACH	EACH	EACH		
43		Rt	R-31T-54	54x30		11.25	12/12		1		2	LT/THR/THR/RT	SUBSUMMARY
44	10.821	Rt	M-11-24	24x12		2.00	12		1		1	BYPASS	
			M-2-24-2	24x24		4.00			1			SR-4	
			M-24-21	21x15		2.19			1			Horizontal arrow	
45	10.829	Rt	M-37-24						1		1	Remove NORTH	BUT-4-0.00/Var
			M-2-24-2						1			SR-4	
46	10.850	Rt	M-37-24	24x12		2.00	12					NORTH (New location)	
			M-2-24-2	24x24		4.00						SR-4	
47	10.952	Lt	R-38R-24	24x30		5.00	12					KEEP RIGHT symbol (New location)	BUT-4-0.00/Var
48	10.981	Rt	N-45-12						1		1	Remove Mile Marker 11	
49	10.992	Rt	R-10-24	24x30		5.00	12		1		1	SPEED LIMIT 55	
50	11.000	Rt	N-45-12	12x12			10	1	1		1	Mile Marker 11	
51	11.072	Lt	R-123-24	24x24		4.00	12		1		1	NO U TURN symbol	
52	11.072	Rt	W-75-30	30x30		6.25	12		1		1	SCHOOL ENTRANCE	
53	11.149	Rt	D-1G-24	120x24	20.00		12/12		1		2	D RUSSELL LEE	
												→	
												CAREER TECHNOLOGY CENTER	BUT-4-0.00/Var
54	11.188	Rt					12/12			1	2	Re-erect Adopt-A-Highway sign	
55	11.237	Lt	R-123-24	24x24		4.00	12		1		1	NO U TURN symbol	
56	11.288	Lt	R-123-24	24x24		4.00	12		1		1	NO U TURN symbol (Faces NB traffic)	
TOTALS CARRIED TO GENERAL SUMMARY													<div style="border: 1px solid black; border-radius: 50%; width: 30px; height: 30px; display: flex; align-items: center; justify-content: center; margin: 0 auto;"> 270 </div>

Calculated

Checked

SUBSUMMARY

BUT-4-0.00/Var

270

SIGN REPLACEMENT CONTRACT

BUTLER COUNTY - SR-4

REF. NO.	S.L.M.	SIDE	CODE	SIZE	SIGN EXTRUSHEET	SIGN, FLAT SHEET TYPE "G"	GROUND MOUNTED SUPPORTS NO. 3 POST	SIGN, DOUBLE FACED MILEMARKER, TYPE G	REMOVAL OF GROUND MOUNTED SIGN & DISPOSAL	REMOVAL OF GROUND MOUNTED SIGN&RE-ERECTION	REMOVAL OF GROUND MOUNTED POST SUPPORT & DISPOSAL	REMARKS	
				INCHES	SQ.FT.	SQ. FT.	LIN. FT.	EACH	EACH	EACH	EACH		Calculated
			R-41B-30	30x30		6.25			1			DO NOT ENTER symbol (Faces SB traffic)	Checked
57	11.288	Rt	R-41B-30	30x30		6.25	12		1		1	DO NOT ENTER symbol	SUBSUMMARY
58	11.617	Rt	R-31E-48	48x30		10.00	12/12		1		2	THR/THR/RT	
59	11.640	Rt	R-31E-48	48x30		10.00	12/12		1		2	THR/THR/RT	
60	11.661	Rt	R-123-24	24x24		4.00	12		1		1	NO U TURN symbol (Faces side street)	
61	11.667	Rt	R-1-30	30x30		6.25	12		1		1	STOP (On side street)	
62	11.686	Rt	D-11A-18	96x18	12.00							GREENLAWN RD →	
63	11.782	Rt	R-1-30	30x30		6.25	13		1		1	STOP (On side road)	
			R-107B-24	24x18		3.00			1			Divided Highway symbol	
64	11.969	Rt	N-45-12						1		1	Remove Mile Marker 12	
65	11.984	Lt	R-43R-48	48x18		6.00	12/12		1		2	ONE WAY (Faces side street)	
66	11.987	Rt	R-123-24	24x24		4.00	12		1		1	NO LEFT TURN symbol (Faces side street)	
67	12.011	Rt	N-45-12	12x12			10	1				Mile Marker 12 (New location)	
68	12.061	Rt	D-11-30	72x30	15.00		12/12		1		2	LIBERTY/FAIRFIELD RD	
69	12.150	Lt	W-47-36									SIGNAL AHEAD (Do not disturb)	
70	12.150	Rt	W-47-36									SIGNAL AHEAD (Do not disturb)	
71	12.210	Lt	R-31C-48	48x30		10.00	12/12		1		2	LT/THR/THR,RT	
72	12.210	Rt	R-31C-48	48x30		10.00	12/12		1		2	LT/THR/THR,RT	
73	12.232	Rt	N-1A-40	40x20		5.56	12/12		1		2	LIBERTY/TOWNSHIP LIMIT	
74	12.264	Rt	R-31C-48	48x30		10.00	12/12					LT/THR/THR,RT (New location)	
	TOTALS CARRIED TO GENERAL SUMMARY												12 270

SIGN REPLACEMENT CONTRACT

BUTLER COUNTY - SR-4

REF. NO.	S.L.M.	SIDE	CODE	SIZE	SIGN EXTRUSHEET	SIGN, FLAT SHEET TYPE "G"	GROUND MOUNTED SUPPORTS NO. 3 POST	SIGN, DOUBLE FACED MILEMARKER,TYPE G	REMOVAL OF GROUND MOUNTED SIGN & DISPOSAL	REMOVAL OF GROUND MOUNTED SIGN&RE-ERECTION	REMOVAL OF GROUND MOUNTED POST SUPPORT & DISPOSAL	REMARKS	Calculated Checked	
													INCHES	SQ.FT.
75	12.265	Rt	R-41B-30						1		1	Remove	SUBSUMMARY	
76	12.267	Rt	R-41B-30	30x30		6.25	12					DO NOT ENTER symbol (New location)		
77	12.313	Rt							1		1	Remove Liberty Township sign		
									1			Remove Bicentennial sign		
78	12.320	Rt	M-37-24	24x12		2.00	12		1		1	NORTH	BUT-4-0.00/Var	
			M-2-24-2	24x24		4.00			1			SR-4		
79	12.320	Lt	R-38R-24	24x30		5.00	12					KEEP RIGHT symbol (New location)		
80	12.330	Rt	R-55L-12	12x18		1.50	10					NO PARKING / Lt. Arrow (New location)		
81	12.365	Rt	R-55-12	12x18		1.50	10		1		1	NO PARKING / Double Arrow		
82	12.391	Rt	R-55-12	12x18		1.50	10		1		1	NO PARKING / Double Arrow		
83	12.408	Rt	R-55-12	12x18		1.50	10		1		1	NO PARKING / Double Arrow		
84	12.430	Rt	R-55-12	12x18		1.50	10		1		1	NO PARKING / Double Arrow		
85	12.450	Rt	R-31C-48	48x30		10.00	12/12		1		2	LT/THR/THR,RT		
86	12.463	Rt	R-55-12	12x18		1.50	10		1		1	NO PARKING / Double Arrow		
87	12.469	Rt	D-11A-108	108x18		13.50	12/12		1		2	HORSESHOE BEND RD →		
88	12.500	Rt	R-55R-12	12x18		1.50	10		1		1	NO PARKING ANYTIME / Right Arrow		
89	12.522	Rt	R-31C-48	48x30		10.00	12/12		1		2	LT/THR/THR,RT		
90	12.546	Lt	R-37R-24	24x30		5.00	12					KEEP RIGHT (New location)		
91	12.609	Rt	R-55L-12	12x18		1.50	10		1		1	NO PARKING / Left Arrow		
92	12.609	Lt	R-37R-24	24x30		5.00	12					KEEP RIGHT (New location)		
TOTALS CARRIED TO GENERAL SUMMARY														13 270

SIGN REPLACEMENT CONTRACT

BUTLER COUNTY - SR-4

REF. NO.	S.L.M.	SIDE	CODE	SIZE	SIGN EXTRUSHEET	SIGN, FLAT SHEET TYPE "G"	GROUND MOUNTED SUPPORTS NO. 3 POST	SIGN, DOUBLE FACED MILEMARKER, TYPE G	REMOVAL OF GROUND MOUNTED SIGN & DISPOSAL	REMOVAL OF GROUND MOUNTED SIGN&RE-ERECTION	REMOVAL OF GROUND MOUNTED POST SUPPORT & DISPOSAL	ONE WAY SUPPORT NO. 3 POST	REMARKS
				INCHES	SQ.FT.	SQ. FT.	LIN. FT.	EACH	EACH	EACH	EACH	LIN. FT.	
93	12.654	Rt	R-55R-12	12x18		1.50	10		1		1		NO PARKING / Right arrow
94	12.660	Rt	R-1-30	30x30		6.25	12		1	1	1		STOP on Horseshoe Bend Road / Re-erect street name
95	12.690	Lt	D-11A	96x18	12.00		12/12		1		2		KYLES STATION RD →
96	12.725	Rt	R-41B-30	30x30		6.25	12						DO NOT ENTER (New location/south side of Kyles Sta.)
97	12.738	Rt	R-43R-36	36x12		3.00			1		1	14	ONE WAY → (On north side of Kyles Station)
			R-43L-36	36x12		3.00			1				← ONE WAY
			R-41B-30	30x30		6.25			1				DO NOT ENTER
98	12.738	Rt	SPEC-793	96x18	12.00		14/14		1		2		HIGHWAY GARAGE →
			D-11A-96	96x18	12.00				1				CDL TESTING →
99	12.751	Lt	R-43R-48	48x18		6.00	12/12						ONE WAY → (New location)
100	12.788	Rt	R-1-30	30x30		6.25	12		1				STOP (On Kyles Station Road)
			R-107B-24	24x18		3.00			1				Divided highway crossing sign
101	12.794	Lt	R-37R-24	24x30		5.00	12						KEEP RIGHT (New location)
102	12.899	Lt	R-43R-48	48x18		6.00	12/12						ONE WAY → (New location)
103	12.984	Rt	R-10-24	24x30		5.00	12		1		1		SPEED LIMIT 55
			N-45-12						1				Remove Mile Marker 13
104	13.000	Rt	N-45-12	12x12			10	1					Mile Marker 13 (New location)
105	13.011	Lt	R-41B-30	30x30		6.25	12		1		1		DO NOT ENTER (Faces SB)
106	13.011	Rt	R-41B-30	30x30		6.25	12		1		1		DO NOT ENTER (Faces SB)
107	13.033	Lt	R-43R-48	48x18		6.00	12/12		1		1		ONE WAY → (Old sign R44R)
TOTALS CARRIED TO GENERAL SUMMARY													

Calculated _____
Checked _____

SUBSUMMARY

BUT-4-0.00/Var

14
270

SIGN REPLACEMENT CONTRACT

BUTLER COUNTY - SR-4

REF. NO.	S.L.M.	SIDE	CODE	SIZE	SIGN EXTRUSHEET	SIGN, FLAT SHEET TYPE "G"	GROUND MOUNTED SUPPORTS NO. 3 POST	SIGN, DOUBLE FACED MILEMARKER, TYPE G	REMOVAL OF GROUND MOUNTED SIGN & DISPOSAL	REMOVAL OF GROUND MOUNTED SIGN & RE-ERECTION	REMOVAL OF GROUND MOUNTED POST SUPPORT & DISPOSAL	REMARKS	Calculated	Checked
				INCHES	SQ.FT.	SQ. FT.	LIN. FT.	EACH	EACH	EACH	EACH			
108	13.040	Rt	R-1-30	30x30		6.25	12		1		1	STOP (On side street)	SUBSUMMARY	
			R-121-24	24x24		4.00			1			Install below Stop sign		
109	13.067	Rt					12/12			1	2	Re-erect Adopt-A-Highway sign		
110	13.183	Rt	R-41B-30	30x30		6.25	12					DO NOT ENTER (Faces SB) (New location)		
111	13.190	Lt	R-123-24	24x24		4.00	12					No U Turn symbol (New location)		
			R-37R-24	24x30		6.25						Keep Right (On back of R-123 facing SB)		
112	13.195	Lt	R-123-24						1		1	Remove No U Turn symbol sign (Old location)		
113	13.218	Rt	R-1-30	30x30		6.25	12		1		1	STOP sign on side road		
			R-107B-24	24x18		3.00			1			Divided highway crossing sign		
114	13.241	Lt	R-38R-24	24x30		5.00	12					Divided highway Keep Right (New location)		
115	13.306	Rt	N-28-96	96x18	12.00		12/12		1		2	HIGHWAY PATROL →	BUT-4-0.00/Var	
116	13.387	Rt	D-11A-96	96x18	12.00		12/12		1		2	← ROCKDALE RD		
117	13.422	Rt	R-1-30	30x30		6.25	12		1		1	STOP sign at Highway Patrol Post		
										1		Re-erect BUCKLE UP sign below Stop sign		
118	13.446	Rt	R-1-30	30x30		6.25	12		1		1	STOP sign at Highway Patrol Post		
										1		Re-erect BUCKLE UP sign below Stop sign		
119	13.510	Rt	R-43L-48	48x18		6.00	12/12					← ONE WAY (New location) (Faces side street)		
120	13.526	Lt	R-37R-24	24x30		5.00	12					KEEP RIGHT (New location)		
121	13.570	Lt	R-123-24	24x24		4.00	12		1		1	NO U TURN symbol		
			R-37R-24	24x30		5.00			1			KEEP RIGHT (On back of R-37R facing SB)		
TOTALS CARRIED TO GENERAL SUMMARY													15 270	

SIGN REPLACEMENT CONTRACT

BUTLER COUNTY - SR-4

REF. NO.	S.L.M.	SIDE	CODE	SIZE	SIGN EXTRUSHEET	SIGN, FLAT SHEET TYPE "G"	GROUND MOUNTED SUPPORTS NO. 3 POST	SIGN, DOUBLE FACED MILEMARKER, TYPE G	REMOVAL OF GROUND MOUNTED SIGN & DISPOSAL	REMOVAL OF GROUND MOUNTED SIGN&RE-ERECTION	REMOVAL OF GROUND MOUNTED POST SUPPORT & DISPOSAL	REMARKS	
				INCHES	SQ.FT.	SQ. FT.	LIN. FT.	EACH	EACH	EACH	EACH		Calculated
122	13.584	Lt	R-123-24	24x24		2.00	12		1		1	NO U TURN symbol	SUBSUMMARY
123	13.619	Rt	R-1-30	30x30		6.25	12		1		1	STOP sign on Mercedes Road	
			R-107B	24x18		3.00			1			Divided Highway Crossing sign	
124	13.645	Rt	M-17-21	21x15		2.19	13		1		1	JCT	
			M-2-24-3	30x24		5.00			1			SR-747	
			M-19-21	21x15		2.19			1			Advance right turn	
125	13.688	Lt	W-47-48	48x48		16.00	13		1		1	SIGNAL AHEAD symbol	BUT-4-0.00/Var
126	13.688	Rt	W-47-48	48x48		16.00	13		1		1	SIGNAL AHEAD symbol	
127	13.727	Rt										Signal Ahead sign on pole (Do not disturb)	
128	13.763	Rt	R-31C-48	48x30		10.00	12/12		1		2	LT/THR/THR,RT	
129	13.765	Rt	R-55L-12	12x18		1.50	10		1		1	NO PARKING / Left arrow	
130	13.788	Rt	R-55-12	12x18		1.50	10		1		1	NO PARKING / Double arrow	
131	13.791	Rt	D-1G-96	96x18	12.00		12/12		1		2	SPRINGDALE 10 →	
132	13.805	Rt	R-55-12	12x18		1.50	10		1		1	NO PARKING / Double arrow	
133	13.825	Rt	R-55-12	12x18		1.50	10		1		1	NO PARKING / Double arrow	
134	13.834	Rt	R-55-12	12x18		1.50	10		1		1	NO PARKING / Double arrow	
135	13.843	Lt	R-41B-30	30x30		6.25	12		1		1	DO NOT ENTER (Faces SB)	
136	13.843	Rt	R-41B-30	30x30		6.25	12		1		1	DO NOT ENTER (Faces SB)	
137	13.851	Rt	R-55R-12	12x18		1.50	10		1		1	NO PARKING / Right arrow	
138	13.853	Rt	R-31C-48	48x30		10.00	12/12		1		1	LT/THR/THR,RT	
	TOTALS CARRIED TO GENERAL SUMMARY												<div style="border: 1px solid black; border-radius: 50%; width: 30px; height: 30px; display: flex; align-items: center; justify-content: center; margin: 0 auto;"> 16 290 </div>

SIGN REPLACEMENT CONTRACT

BUTLER COUNTY - SR-4

REF. NO.	S.L.M.	SIDE	CODE	SIZE	SIGN EXTRUSHEET	SIGN, FLAT SHEET TYPE "G"	GROUND MOUNTED SUPPORTS NO. 3 POST	SIGN, DOUBLE FACED MILEMARKER, TYPE G	REMOVAL OF GROUND MOUNTED SIGN & DISPOSAL	REMOVAL OF GROUND MOUNTED SIGN&RE-ERECTION	REMOVAL OF GROUND MOUNTED POST SUPPORT & DISPOSAL	REMARKS	Calculated	Checked
				INCHES	SQ.FT.	SQ. FT.	LIN. FT.	EACH	EACH	EACH	EACH			
139	13.867	Rt	M-2-24-3	30x24		5.00	12		1		1	SR-747	SUBSUMMARY	
			M-24-21	21x15		2.19			1			Single horizontal arrow		
140	13.874	Rt	R-2-36	36x36		9.00	13		1		1	YIELD		
			N-29-24						1			Remove H sign		
141	13.874	Lt	R-37R-24	24x30		5.00	12		1		1	KEEP RIGHT		
142	13.904	Rt	W-49R-36	36x36		9.00	13		1		1	MERGE		
143	13.935	Rt	M-37-24	24x12		2.00	12		1			NORTH		
			M-2-24-2	24x24		4.00			1			SR-4		
144	13.975	Rt	N-45-12						1		1	Remove Mile Marker 14		
145	14.000	Rt	N-45-12	12x12			10	1				Mile Marker 14 (New location)		
146	14.059	Rt	R-10-24	24x30		5.00	12		1		1	SPEED LIMIT 55	BUT-4-0.00/Var	
147	14.394	Lt	W-1-36	36x36		9.00	13		1		1	Right curve		
			W-143-24	24x24		4.00			1			45 MPH advisory		
148	14.394	Rt	W-1-36	36x36		9.00	13		1		1	Right curve		
			W-143-24	24x24		4.00			1			45 MPH advisory		
149	14.512	Lt	R-41B-30	30x30		6.25			1		1	DO NOT ENTER (Faces SB)		
150	14.512	Rt	R-41B-30	30x30		6.25			1		1	DO NOT ENTER (Faces SB)		
151	14.520	Lt	R-1-30	30x30		6.25	12		1		1	STOP in median		
152	14.525	Rt	R-43R-48	48x18		6.00	12/12		1		1	← ONE WAY		
	TOTALS CARRIED TO GENERAL SUMMARY												17	270

SIGN REPLACEMENT CONTRACT

BUTLER COUNTY - SR-4

REF. NO.	S.L.M.	SIDE	CODE	SIZE	SIGN EXTRUSHEET	SIGN, FLAT SHEET TYPE "G"	GROUND MOUNTED SUPPORTS NO. 3 POST	SIGN, DOUBLE FACED MILEMARKER, TYPE G	REMOVAL OF GROUND MOUNTED SIGN & DISPOSAL	REMOVAL OF GROUND MOUNTED SIGN & RE-ERECTION	REMOVAL OF GROUND MOUNTED POST SUPPORT & DISPOSAL	REMARKS	Calculated Checked		
													INCHES	SQ.FT.	SQ. FT.
153	14.533	Lt	W-151-30						1		1	Remove Low Shoulder sign	SUBSUMMARY		
154	14.536	Lt	W-32-96	96x48	32.00		14/14		1		2	Large Arrow			
155	14.561	Rt	R-43L-48	48x18		6.00	12/12		1		2	ONE WAY Left			
156	14.621	Rt	W-24-36	36x36		9.00	13		1		1	Side road			
157	14.703	Rt	D-11-96	96x30	20.00		12/12					LESOURDSVILLE/WEST CHESTER RD (New location)			
158	14.737	Rt	D-11-96						1		2	Remove existing LeSourdsville/West Chester sign			
159	14.793	Lt	R-41B-30	30x30		6.25	12		1		1	DO NOT ENTER			
160	14.793	Rt	R-41B-30	30x30		6.25	12		1		1	DO NOT ENTER			
161	14.802	Rt	R-1-30	30x30		6.25	12		1		1	STOP on LeSourdsville/West Chester Rd.		BUT-4-0.00/Var	
			R-121-24	24x24		4.00			1	1		Install below Stop sign, re-erect street name sign			
162	14.802	Rt	R-1-30	30x30		6.25	12		1		1	Stop on LeSourdsville/West Chester Road			
			R-121-24	24x24		4.00			1			Install below Stop sign			
163	14.809	Lt	R-43R-48	48x18		6.00	12/12		1		2	ONE WAY Right			
164	14.834	Rt	M-37-24	24x12		2.00	12		1		1	NORTH			
			M-2-24-2	24x24		4.00			1			SR-4			
165	14.965	Rt	N-45-12						1		1	Remove existing Mile Marker 15			
166	15.000	Rt	N-45-12	12x12			10	1				Mile Marker 15 (New location)			
167	15.008	Rt	W-75-36						1		1	Remove PARK ENTRANCE sign			
168	15.206	Rt	M-17-21						1		1	Remove JCT sign			
			M-2-24-2						1			Remove SR-63 sign			
TOTALS CARRIED TO GENERAL SUMMARY													18 270		

SIGN REPLACEMENT CONTRACT

BUTLER COUNTY - SR-4

REF. NO.	S.L.M.	SIDE	CODE	SIZE	SIGN EXTRUSHEET	SIGN, FLAT SHEET TYPE "G"	GROUND MOUNTED SUPPORTS NO. 3 POST	SIGN, DOUBLE FACED MILEMARKER, TYPE G	REMOVAL OF GROUND MOUNTED SIGN & DISPOSAL	REMOVAL OF GROUND MOUNTED SIGN&RE-ERECTION	REMOVAL OF GROUND MOUNTED POST SUPPORT & DISPOSAL	REMARKS	Calculated Checked			
													INCHES	SQ.FT.	SQ. FT.	LIN. FT.
169	15.206	Rt					12/12			1		Re-erect Adopt-A-Highway sign	SUBSUMMARY			
170	15.240	Rt	R-31T-54									Lane Use sign (Do not disturb)				
171	15.276	Lt	R-37R-24	24x30		5.00	12		1		1	KEEP RIGHT				
172	15.276	Rt	N-1-40	40x20		5.56	12/12					MONROE/CORPORATION LIMIT (New location)				
	SR-4 SB Monroe to Hamilton															
	Left Side = Median															
	Set Odometer At 15.276															
	At Keep Right Sign															
173	15.276	Rt	R-1-30	30x30		6.25	12		1	1	1	STOP On Canal Street/Re-erect street name sign		BUT-4-0.00/Var		
			R-107B-24	24x18		3.00			1			Divided Highway sign				
174	15.159	Rt					12			1	1	Re-erect Car Van Pool sign				
175	15.159	Lt	R-41B-30	30x30		6.25	12		1		1	DO NOT ENTER				
176	15.159	Rt	R-41B-30	30x30		6.25	12		1		1	DO NOT ENTER				
177	15.111	Lt	R-43R-48	48x18		6.00	12/12		1		2	ONE WAY →				
178	15.095	Rt	R-10-24	24x30		5.00	12		1		1	SPEED LIMIT 55				
179	15.000	Rt	N-45-12	12x12			10	1				Mile Marker 15 (New location)				
180	14.970	Rt	N-45-12						1		1	Remove Mile Marker 15				
181	14.966	Rt					12/12			1	2	Re-erect Adopt-A-Highway sign				
	TOTALS CARRIED TO GENERAL SUMMARY														19 270	

SIGN REPLACEMENT CONTRACT

BUTLER COUNTY - SR-4

REF. NO.	S.L.M.	SIDE	CODE	SIZE	SIGN EXTRUSHEET	SIGN, FLAT SHEET TYPE "G"	GROUND MOUNTED SUPPORTS NO. 3 POST	SIGN, DOUBLE FACED MILEMARKER, TYPE G	REMOVAL OF GROUND MOUNTED SIGN & DISPOSAL	REMOVAL OF GROUND MOUNTED SIGN & RE-ERECTION	REMOVAL OF GROUND MOUNTED POST SUPPORT & DISPOSAL	REMARKS	Calculated Checked		
													INCHES	SQ.FT.	SQ. FT.
182	14.764	Rt	R-43L-48	48x18		6.00	12/12		1		2	← ONE WAY	SUBSUMMARY		
183	14.718	Lt	R-41B-30	30x30		6.25	12		1		1	DO NOT ENTER			
184	14.718	Rt	R-41B-30	30x30		6.25	12		1		1	DO NOT ENTER			
185	14.696	Rt	R-43L-48	48x18		6.00	12/12		1		2	← ONE WAY			
186	14.612	Rt	R-43L-48	48x18		6.00	12/12		1		2	← ONE WAY			
187	14.586	Lt	R-41B-30	30x30		6.25	12		1		1	DO NOT ENTER			
188	14.586	Rt	R-41B-30	30x30		6.25	12		1		1	DO NOT ENTER			
189	14.577	Rt	D-11A-108	108x30	22.50		12/12		1		2	← LESOURDSVILLE/WEST CHESTER RD			
190	14.558	Rt	R-1-30	30x30		6.25	12		1		1	STOP On side road		BUT-4-0.00/Var	
191	14.437	Lt	R-43R-48	48x18		6.00	12/12					ONE WAY → (New location)			
192	14.436	Rt	R-1-30	30x30		6.25	12		1		1	STOP On side street			
193	14.362	Rt	W-75-36	36x36		9.00	13		1		1	CHURCH ENTRANCE			
194	14.209	Lt	R-43R-48	48x18		6.00	12/12		1		2	ONE WAY →			
195	14.162	Lt	W-47-48	48x48		16.00	15/15		1		2	Signal Ahead symbol			
196	14.162	Rt	W-47-48	48x48		16.00	15/15		1		2	Signal Ahead symbol			
197	14.092	Rt	M-17-21	21x15		2.19	13		1		1	JCT			
			M-2-24-3	24x30		5.00			1			SR-747			
			M-21-21	21x15		2.19			1			Advance 90 degree left arrow			
198	14.092	Lt	M-17-21	21x15		2.19	13		1		1	JCT			
			M-2-24-3	24x30		5.00			1			SR-747			
TOTALS CARRIED TO GENERAL SUMMARY													<table border="1" style="margin: auto;"> <tr> <td style="text-align: center;">20</td> </tr> <tr> <td style="text-align: center;">270</td> </tr> </table>	20	270
20															
270															

SIGN REPLACEMENT CONTRACT

BUTLER COUNTY - SR-4

REF. NO.	S.L.M.	SIDE	CODE	SIZE	SIGN EXTRUSHEET	SIGN, FLAT SHEET TYPE "G"	GROUND MOUNTED SUPPORTS NO. 3 POST	SIGN, DOUBLE FACED MILEMARKER, TYPE G	REMOVAL OF GROUND MOUNTED SIGN & DISPOSAL	REMOVAL OF GROUND MOUNTED SIGN&RE-ERECTION	REMOVAL OF GROUND MOUNTED POST SUPPORT & DISPOSAL	REMARKS	Calculated Checked		
													INCHES	SQ.FT.	SQ. FT.
198	14.092	Lt	M-21-21	21x15		2.19			1			Advance 90 degree left arrow	SUBSUMMARY		
199	14.047	Rt	W-47-60									Signal Ahead on pole (Do not disturb)			
200	14.023	Rt	N-45-12						1		1	Remove Mile Marker 14			
201	14.007	Rt	D-1G-96	96x18	12.00		12/12		1		2	← SPRINGDALE 10			
			D-11A-96	96x18	12.00				1			← CDL TESTING			
202	14.000	Rt	N-45-12	12x12			10	1				Mile Marker 14 (New location)			
203	13.990	Rt	R-31C-48	48x30		10.00	12/12		1		2	LT/THR/THR,RT			
204	13.931	Lt	R-41B-30	30x30		6.25	12		1		1	DO NOT ENTER			
									1			Remove CDL Testing sign			
205	13.927	Rt	R-31C-48	48x30		10.00	12/12		1		1	LT/TH/TH,RT			
206	13.926	Rt	R-41B-30	30x30		6.25	12		1		1	DO NOT ENTER			
207	13.925	Rt	M-2-24-2	24x24		4.00	12		1		1	SR-4 (Faces SR-747)			
			M-25-21	21x15		2.19			1			Double Horizontal Arrow ↔			
208	13.902	Rt	M-2-24-3	30x24		5.00	12		1		1	SR-747			
			M-24-21	21x15		2.19			1			Single Horizontal Arrow →			
209	13.899	Lt	R-37R-24	24x30		5.00	12		1		1	KEEP RIGHT			
210	13.887	Rt	M-38-24	24x12		2.00	12		1		1	SOUTH			
			M-2-24-2	24x24		4.00			1			SR-4			
211	13.842	Lt	R-121-24	24x24		4.00	12		1		1	No Left Turn symbol			
212	13.776	Rt	R-10-24	24x30		5.00	12					SPEED LIMIT 55 (New location)			
TOTALS CARRIED TO GENERAL SUMMARY														21 270	

BUT-4-0.00/Var

SIGN REPLACEMENT CONTRACT

BUTLER COUNTY - SR-4

REF. NO.	S.L.M.	SIDE	CODE	SIZE	SIGN EXTRUSHEET	SIGN, FLAT SHEET TYPE "G"	GROUND MOUNTED SUPPORTS NO. 3 POST	SIGN, DOUBLE FACED MILEMARKER, TYPE G	REMOVAL OF GROUND MOUNTED SIGN & DISPOSAL	REMOVAL OF GROUND MOUNTED SIGN&RE-ERECTION	REMOVAL OF GROUND MOUNTED POST SUPPORT & DISPOSAL	REMARKS	Calculated	Checked
				INCHES	SQ.FT.	SQ. FT.	LIN. FT.	EACH	EACH	EACH	EACH			
213	13.765	Rt	R-35-24						1		1	Remove Slower Traffic Keep Right sign		
214	13.764	Rt	R-43L-48	48x18		6.00	12/12		1		2	← ONE WAY (Left)		
215	13.670	Rt	D-11A-96	96x18	12.00		12/12		1		2	ROCKDALE RD →		
216	13.667	Rt	R-43L-48	48x18		6.00	12/12					← ONE WAY (Left) (New location)		
217	13.660	Rt	R-31FF-48						1		2	Remove Lane Use sign		
218	13.638	Rt	R-31FF-48	48x30		10.00	12/12					LT/RT/RT (New location)		
219	13.571	Rt	R-1-30	30x30		6.25	12		1		2	STOP On Rockdale Road		
220	13.549	Rt	N-28-96	96x18	12.00		12/12		1		2	← HIGHWAY PATROL		
221	13.494	Rt	R-43L-48	48x18		6.00	12/12					← ONE WAY (Left) (New location)		
222	13.296	Rt	R-31C-48	48x30		10.00	12/12		1		2	LT/TH/TH,RT		
223	13.259	Rt	R-31C-48	48x30		10.00	12/12		1		2	LT/TH/TH,RT		
224	13.245	Rt	R-1-30									Do not disturb		
225	13.231	Rt					12/12			1	2	Re-erect Adopt-A-Highway sign		
226	13.032	Rt	N-45-12							1	1	Remove Mile Marker 13		
227	13.030	Lt	W-26-36	36x36		9.00	13		1		1	Side road		
228	13.030	Rt	W-26-36	36x36		9.00	13		1		1	Side road		
229	13.021	Rt	R-43L-48	48x18		6.00	12/12					← ONE WAY (Left) (New location)		
230	13.000	Rt	N-45-12	12x12			10	1				Mile Marker 13 (New location)		
231	12.921	Rt	D-11A-96	96x18	12.00		12/12		1		2	← KYLES STATION RD		
232	12.856	Rt	SPEC-793	96x18	12.00		12/12		1		2	← HIGHWAY GARAGE		
TOTALS CARRIED TO GENERAL SUMMARY													22	270

SUBSUMMARY

BUT-4-0.00/Var

 22
270

SIGN REPLACEMENT CONTRACT

BUTLER COUNTY - SR-4

REF. NO.	S.L.M.	SIDE	CODE	SIZE	SIGN EXTRUSHEET	SIGN, FLAT SHEET TYPE "G"	GROUND MOUNTED SUPPORTS NO. 3 POST	SIGN, DOUBLE FACED MILEMARKER, TYPE G	REMOVAL OF GROUND MOUNTED SIGN & DISPOSAL	REMOVAL OF GROUND MOUNTED SIGN & RE-ERECTION	REMOVAL OF GROUND MOUNTED POST SUPPORT & DISPOSAL	REMARKS	
				INCHES	SQ.FT.	SQ. FT.	LIN. FT.	EACH	EACH	EACH	EACH		Calculated Checked
233	12.828	Rt	R-1-30	30x30		6.25	12		1		1	STOP On side street	SUBSUMMARY
234	12.822	Rt	R-55L-12	12x18		1.50	10		1		1	NO PARKING w/ Left Arrow	
235	12.807	Lt	W-47-48	48x48		16.00	13/13		1		1	Signal Ahead symbol	
236	12.807	Rt	W-47-48	48x48		16.00	13/13		1		1	Signal Ahead symbol	
237	12.794	Rt	D-11A-108	108x18	13.50		12/12		1		2	← HORSESHOE BEND RD	
238	12.785	Rt	R-55-12	12x18		1.50	10		1		1	NO PARKING Double Arrow	
239	12.747	Rt	R-55-12	12x18		1.50	10		1		1	NO PARKING Double Arrow	
240	12.712	Rt	R-43L-48	48x18		6.00	12/12		1		2	← ONE WAY (Left) (New location)	
241	12.709	Rt	R-55-12	12x18		1.50	10		1		1	NO PARKING Double Arrow	
242	12.688	Lt	R-43R-48	48x18		6.00	12/12		1		1	ONE WAY → (Right)	
243	12.674	Rt	R-55-12	12x18		1.50	10		1		1	NO PARKING Double Arrow	
244	12.636	Rt	R-31T-54	54x30		11.25	12/12		1		2	LT/TH/TH/RT	
245	12.633	Rt	R-55-12	12x18		1.50	10		1		1	NO PARKING Double Arrow	
246	12.599	Rt	R-55-12	12x18		1.50	10		1		1	NO PARKING Double Arrow	
247	12.594	Rt	R-31T-54	54x30		11.25	12/12					LT TH/TH/RT (New location)	
248	12.566	Rt	R-31T-54						1		2	Remove Lane Use sign	
249	12.562	Rt	R-55-12	12x18		1.50	10		1		1	NO PARKING Double Arrow	
250	12.539	Rt	D-11-30	72x30	15.00		12/12		1		2	LIBERTY/FAIRFIELD RD	
251	12.537	Lt	R-38R-24	24x30		5.00	12		1		1	Divided Highway symbol sign	
252	12.525	Rt	R-55-12	12x18		1.50	10		1		1	NO PARKING Double Arrow	
TOTALS CARRIED TO GENERAL SUMMARY													<div style="border: 1px solid black; border-radius: 50%; width: 30px; height: 30px; display: flex; align-items: center; justify-content: center; margin: 0 auto;"> 23 270 </div>

BUT-4-0.00/Var

SIGN REPLACEMENT CONTRACT

BUTLER COUNTY - SR-4

REF. NO.	S.L.M.	SIDE	CODE	SIZE	SIGN EXTRUSHEET	SIGN, FLAT SHEET TYPE "G"	GROUND MOUNTED SUPPORTS NO. 3 POST	SIGN, DOUBLE FACED MILEMARKER, TYPE G	REMOVAL OF GROUND MOUNTED SIGN & DISPOSAL	REMOVAL OF GROUND MOUNTED SIGN & RE-ERECTION	REMOVAL OF GROUND MOUNTED POST SUPPORT & DISPOSAL	REMARKS	Calculated Checked		
													INCHES	SQ.FT.	SQ. FT.
253	12.488	Rt	R-55-12	12x18		1.50	10		1		1	NO PARKING Double Arrow	SUBSUMMARY		
254	12.476	Lt	W-47-48									Signal Ahead sign (Do not disturb)			
255	12.476	Rt	W-47-48									Signal Ahead sign (Do not disturb)			
256	12.460	Rt	R-31T-54	54x30		11.25	12/12		1		2	Remove R-31E-48 / New R-31T-48 LT/TH/TH/RT			
257	12.451	Rt	R-55R-12	12x18		1.50	10		1		1	NO PARKING → (Right arrow)			
258	12.411	Rt	R-1-30	30x30		6.25	12		1		1	STOP On side street			
259	12.405	Lt	R-31C-48	48x30		10.00	12/12		1		1	LT/TH/TH/RT			
260	12.376	Rt	R-31K-36	36x30		6.50	12		1		1	TH/TH,RT			
261	12.331	Lt	R-37R-24	24x30		5.00	12		1		1	KEEP RIGHT		BUT-4-0.00/Var	
262	12.331	Rt	N-1A-40	40x20		5.56	12/12		1		2	FAIRFIELD TOWNSHIP LIMIT			
263	12.312	Rt	M-38-24	24x12		2.00	12		1		2	SOUTH			
			M-2-24-2	24x24		4.00			1			SR-4			
264	12.207	Rt	R-10-24	24x30		5.00	12		1		1	SPEED LIMIT 55			
265	12.025	Rt	N-45-12	12x12			10	1	1		1	Mile Marker 12			
266	12.013	Rt	R-31T-54	54x30		11.25	12/12		1		2	LT/TH/TH/RT			
267	11.932	Rt	D-11A-96	96x18	12.00		12/12		1		2	← GREENLAWN RD			
268	11.830	Lt	R-37R-24	24x30		5.00	12		1		1	KEEP RIGHT			
269	11.761	Rt	R-31FF-48	48x30		10.00	12/12					LT/RT/RT (New location)			
270	11.712	Rt	R-31FF-48	48x30		10.00	12/12		1		2	LT/RT/RT			
271	11.700	Lt	R-37R-24	24x30		5.00	12		1		1	KEEP RIGHT			
TOTALS CARRIED TO GENERAL SUMMARY														<div style="border: 1px solid black; border-radius: 50%; width: 30px; height: 30px; display: flex; flex-direction: column; align-items: center; justify-content: center;"> 24 270 </div>	

SIGN REPLACEMENT CONTRACT

BUTLER COUNTY - SR-4

REF. NO.	S.L.M.	SIDE	CODE	SIZE	SIGN EXTRUSHEET	SIGN, FLAT SHEET TYPE "G"	GROUND MOUNTED SUPPORTS NO. 3 POST	SIGN, DOUBLE FACED MILEMARKER, TYPE G	REMOVAL OF GROUND MOUNTED SIGN & DISPOSAL	REMOVAL OF GROUND MOUNTED SIGN&RE-ERECTION	REMOVAL OF GROUND MOUNTED POST SUPPORT & DISPOSAL	REMARKS	Calculated	Checked
				INCHES	SQ.FT.	SQ. FT.	LIN. FT.	EACH	EACH	EACH	EACH			
272	11.509	Rt	W-75-30						1		1	Remove School Entrance sign		
273	11.487	Rt	D-1G-24	120x24	20.00		12/12		1		2	D. RUSSELL LEE		
												←		
												CAREER TECHNOLOGY CENTER		
274	11.435	Rt	R-31FF-48	48x30		10.00	12/12					LT/TH/TH (New location)		
275	11.377	Lt	R-41B-30	30x30		6.25	12		1		1	DO NOT ENTER		
276	11.377	Rt	R-31FF-48	48x30		10.00	12/12		1		2	LT/TH/TH		
			R-41B-30	30x30		6.25			1			DO NOT ENTER (Mount on back of R-31FF)		
277	11.368	Rt	R-41B-30						1		1	Remove DO NOT ENTER sign		
278	11.359	Lt	R-43L-48	48x18		6.00	12/12					← ONE WAY (Left) (New location)		
279	11.358	Rt					12/12			1	2	Re-erect Adopt-A-Highway sign		
280	11.351	Lt	R-37R-24	24x30		5.00	12					KEEP RIGHT (New location)		
281	11.246	Rt	M-17-21	21x15		2.19	13		1		1	JCT		
			M-11-24	24x12		2.00			1			BY-PASS		
			M-2-24-2	24x24		4.00			1			SR-4		
			M-21-21	21x15		2.19			1			Advance Left Arrow		
282	11.246	Lt	M-17-21	21x15		2.19	13		1		1	JCT		
			M-11-24	24x12		2.00			1			BY-PASS		
			M-2-24-2	24x24		4.00			1			SR-4		
			M-21-21	21x15		2.19			1			Advance Left Arrow		
TOTALS CARRIED TO GENERAL SUMMARY													25	270

SUBSUMMARY

BUT-4-0.00/Var

25
270

SIGN REPLACEMENT CONTRACT

BUTLER COUNTY - SR-4

REF. NO.	S.L.M.	SIDE	CODE	SIZE	SIGN EXTRUSHEET	SIGN, FLAT SHEET TYPE "G"	GROUND MOUNTED SUPPORTS NO. 3 POST	SIGN, DOUBLE FACED MILEMARKER, TYPE G	REMOVAL OF GROUND MOUNTED SIGN & DISPOSAL	REMOVAL OF GROUND MOUNTED SIGN&RE-ERECTION	REMOVAL OF GROUND MOUNTED POST SUPPORT & DISPOSAL	REMARKS	Calculated Checked			
													INCHES	SQ.FT.	SQ. FT.	LIN. FT.
283	11.187	Rt					12			1	1	Re-erect CAR/VAN POOL sign	SUBSUMMARY			
284	11.070	Rt	W-47-48	48x48		16.00	15/15		1		2	Signal Ahead				
285	11.070	Lt	W-47-48	48x48		16.00	15/15		1		2	Signal Ahead				
286	11.035	Rt	N-45-12	12x12			10	1	1		1	Mile Marker 11				
287	10.990	Rt	W-47-60									Do Not Disturb Signal Ahead Sign On Pole				
288	10.953	Rt	D-1B-72	72x18	9.00		12/12					RENTSCHLER → / FOREST				
289	10.980	Rt	R-31T-54	54x30		11.25	12/12		1		2	LT/TH/TH/RT				
290	10.890	Rt	M-38-24	24x12		2.00	15		1		1	SOUTH				
			M-11-24	24x12		2.00			1			BY-PASS		BUT-4-0.00/Var		
			M-2-24-2	24x24		4.00			1			SR-4				
			M-24-21	21x19		2.19			1			Horizontal arrow →				
			M-38-24						1		1	Remove SOUTH sign				
			M-2-24-2						1			Remove SR-4 sign				
			M-26-21						1			Remove vertical arrow				
291	10.845	Rt	N-29-24	24x24		4.00	12		1		1	H (Hospital)				
			IM-26-24	24x12		2.00			1			Vertical arrow				
292	10.830	Rt	M-38-24	24x12		2.00	12		1		1	SOUTH (New location)				
			M-2-24-2	24x24		4.00			1			SR-4				
293	10.719	Rt	D-11A-18	96x18	12.00		13/13		1		2	← MILLIKIN RD				
			D-11A-18	96x18	12.00				1			CREEKSIDE DR →				
TOTALS CARRIED TO GENERAL SUMMARY														<div style="border: 1px solid black; border-radius: 50%; width: 30px; height: 30px; display: flex; align-items: center; justify-content: center; margin: 0 auto;"> 26 270 </div>		

SIGN REPLACEMENT CONTRACT

BUTLER COUNTY - SR-4

REF. NO.	S.L.M.	SIDE	CODE	SIZE	SIGN EXTRUSHEET	SIGN, FLAT SHEET TYPE "G"	GROUND MOUNTED SUPPORTS NO. 3 POST	SIGN, DOUBLE FACED MILEMARKER, TYPE G	REMOVAL OF GROUND MOUNTED SIGN & DISPOSAL	REMOVAL OF GROUND MOUNTED SIGN & RE-ERECTION	REMOVAL OF GROUND MOUNTED POST SUPPORT & DISPOSAL	REMARKS	Calculated Checked			
													INCHES	SQ. FT.	SQ. FT.	LIN. FT.
294	10.656	Rt	R-31T-54	54x30		11.25	12/12		1		2	LT/TH/TH/RT	SUBSUMMARY			
295	10.587	Rt	R-31T-54	54x30		11.25	12/12		1		2	LT/TH/TH/RT				
296	10.566	Lt	R-37R-24	24x30		5.00	12		1		1	KEEP RIGHT (New) / Remove R-38R				
297	10.517	Rt	D-11A-18	96x18	12.00		12/12		1		1	OAKRIDGE RD →				
298	10.415	Rt	R-1-30	30x30		6.25	12		1		1	STOP On Oakridge Road				
299	10.368	Lt	W-32-96	96x48	32.00		16/16		1		2	Large Night Arrow				
300	10.351	Rt	W-26-36	36x36		9.00	13		1		1	Side road				
301	10.293	Rt	D-11A-18	96x18	12.00		12/12		1		2	HEADGATES RD →				
302	10.262	Lt	R-41B-30	30x30		6.25	12		1		1	DO NOT ENTER		BUT-4-0.00/Var		
303	10.262	Rt	R-41B-30	30x30		6.25	12		1		1	DO NOT ENTER				
304	10.238	Rt	R-1-30	30x30		6.25	12		1		1	STOP On Headgates Road				
			R-107B-24	24x18		3.00						Divided highway sign (mount below stop sign) (new)				
305	10.218	Rt	D-11A-30	84x30	17.50		14/14		1		2	← WALDON / POND CIR				
			D-11A-18	84x18	10.50				1			FAIRHAM RD →				
306	10.164	Lt	R-41B-30	30x30		6.25	12		1		1	DO NOT ENTER				
307	10.164	Rt	R-41B-30	30x30		6.25	12		1		1	DO NOT ENTER				
308	10.149	Rt	R-1-30			6.25	12		1		1	STOP On side street				
			R-107B-24	24x18		3.00			1			Divided highway sign (mount below stop sign)				
309	10.149	Rt	R-1-30	30x30		6.25	12		1		1	Dual stop on side street				
310	10.106	Lt	R-31C-48						1		1	Remove lane use sign				
TOTALS CARRIED TO GENERAL SUMMARY														27 270		

SIGN REPLACEMENT CONTRACT

BUTLER COUNTY - SR-4

REF. NO.	S.L.M.	SIDE	CODE	SIZE	SIGN EXTRUSHEET	SIGN, FLAT SHEET TYPE "G"	GROUND MOUNTED SUPPORTS NO. 3 POST	SIGN, DOUBLE FACED MILEMARKER, TYPE G	REMOVAL OF GROUND MOUNTED SIGN & DISPOSAL	REMOVAL OF GROUND MOUNTED SIGN&RE-ERECTION	REMOVAL OF GROUND MOUNTED POST SUPPORT & DISPOSAL	REMARKS	Calculated	Checked
				INCHES	SQ.FT.	SQ. FT.	LIN. FT.	EACH	EACH	EACH	EACH		SUBSUMMARY	
311	10.085	Rt	R-31C-48	48x30		10.00	12/12					LT/TH/TH,RT (New location)		
312	10.048	Rt	W-86-48	48x48		16.00	13/13		1		1	Divided highway ends		
			N-45-12						1			Remove Mile Marker 10		
313	10.036	Rt	R-1-30	30x30		6.25	12		1		1	STOP On Fairham Road		
314	10.023	Lt	R-37R-24	24x30		5.00	12					KEEP RIGHT (New location)		
315	10.000	Rt	N-45-12	12x12			10	1				Mile Marker 10 (New location)		
316	9.696	Rt	D-11A-18	96x18	12.00		12/12		1		2	ALLISON AVE →		
317	9.563	Rt	R-1-30	30x30		6.25	12		1		1	STOP On Allison Avenue		
318	9.525	Rt	W-26-30						1		1	Remove		
			D-8Y-24						1			Remove		
			D-11A-18	96x18	12.00		12/12					THEODORE AVE → (New sign)		
319	9.454	Rt	R-1-30	30x30		6.25	12		1	1	1	STOP On Theodore Avenue/Re-erect street name		
320	9.431	Rt	D-11A-18	96x18	12.00		12/12		1		2	FERNWAY DR →		
321	9.389	Rt	R-1-30	30x30		6.25	12		1		1	STOP On Fernway Drive		
322	9.383	Rt	R-11B-24	24x30		5.00	12		1		1	REDUCE SPEED AHEAD		
323	9.376	Rt	N-1-40	40x20		5.56	12/12					HAMILTON/CORPORATION LIMIT		
	TOTALS CARRIED TO GENERAL SUMMARY													

SHEET NO	REF. NO.	LOCATION	REMARKS	SIDE	CODE	SIZE (INCHES)	SIGN, GRND MTD EXTRUSHEET	SIGN, FLAT SHEET TYPE G	GROUND MOUNTED SUPPORT, NO. 3 POST	ONE WAY SUPPORT, NO. 3 POST	GROUND MOUNTED BEAM SUPPORT S 4 X 7.7	GROUND MOUNTED BEAM SUPPORT W 10 X 12	GROUND MOUNTED BEAM SUPPORT W 10 X 22	GROUND MOUNTED BEAM SUPPORT FOUNDATION	BREAKAWAY BEAM CONN.	GROUND MOUNTED BEAM SUPPORT W 6 X 9	SIGN, OVERHEAD EXTRUSHEET	OVRD SIGN SUPT TYPE TC-12.30	RIGID OVERHD SIGN SUP.FONDA	SIGN ATACH ASSEMBLY			
		BUTLER COUNTY SR-4 / SR-63 INTERCHANGE																					
		SR-4 NORTHBOUND					SF	SF	FT	FT	FT	FT	FT	EACH	EACH	FT	SF	EACH	EACH	EACH			
	324	15.577		Rt	GE	120x84	70.00					19.62/18.47		2	2								
	325	15.741		Rt	GF-72	72x60	30.00				14.71/15.71			2	2								
		SR-4 SOUTHBOUND																					
	326	16.198	Remove	Rt	GL-96																		
			SPEED LIMIT 50	Rt	R-10-24	24x30			13														
	327	16.167	JCT (New)	Rt	M-17-21	21x15		2.19	13														
			SR-63 (New)		M-2-30-2	30x30		6.25															
	328	15.898		Rt	GE	120x84	70.00					20.67/22.11		2	2								
	329	15.715	Use existing beams	Rt	GF-72	72x60	30.00																
		SR-63 WESTBOUND																					
	330	0.988	Removal Only	Rt	GL-96																		
	331	0.754	Remove	Rt	GCR																		
			JCT (New)		M-17-21	21x15		2.19	13														
			SR-4 (New)		M-2-30-2	30x30		6.25															
	332	0.659	Use existing structure	Lt	GE	108x84											63.00			2			
				Rt	GE	120x84											70.00			3			
	333	0.273	Use existing structure	Lt	GE	96x60											40.00			2			
				Rt	GE	96x60											40.00			2			
	334	0.200	Use existing beams	Rt	GF-72	72x60	30.00																
TOTALS CARRIED TO GENERAL SUMMARY																							

SUBSUMMARY

BUT-4-0.00/VAR

Calculated

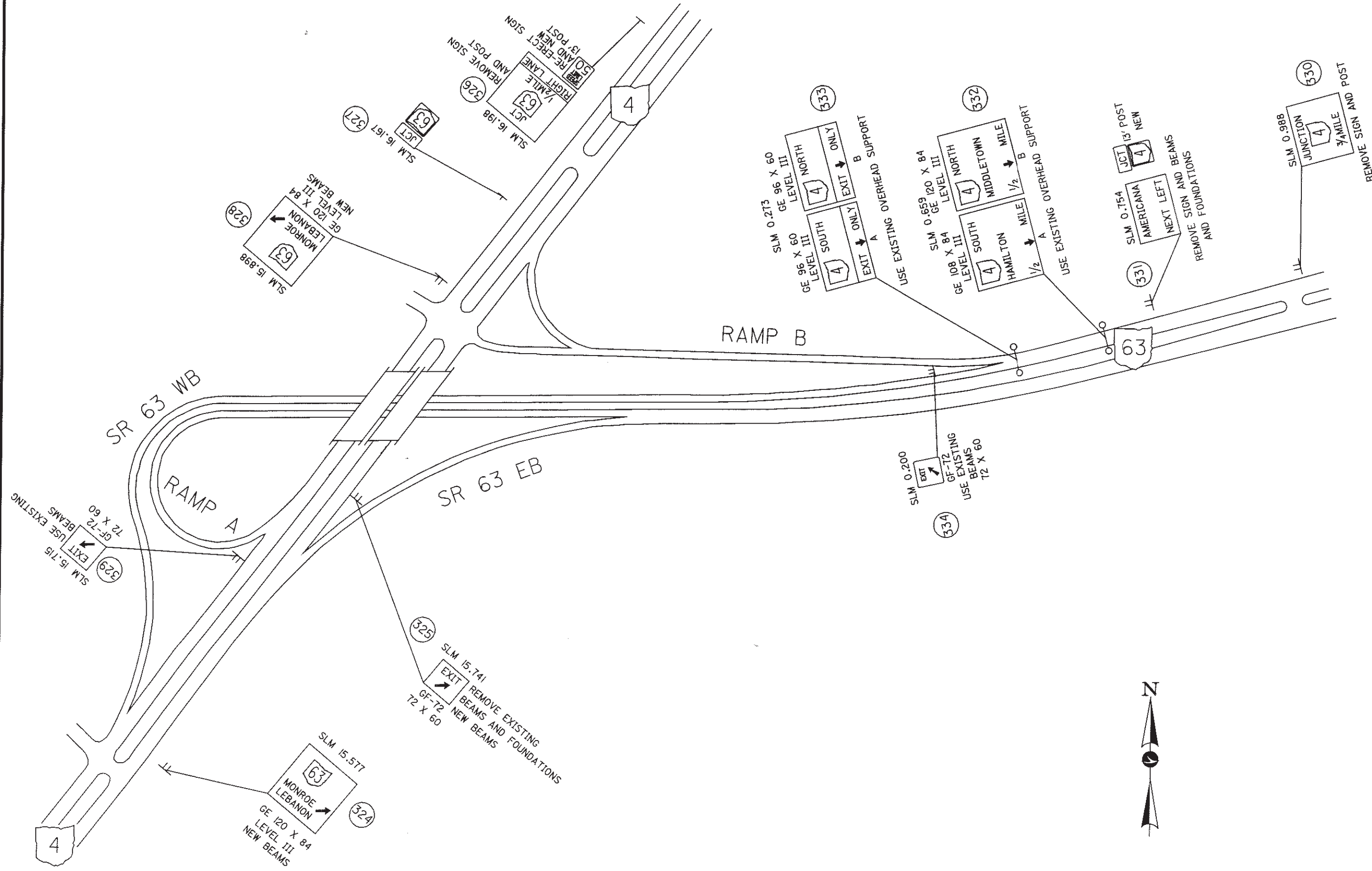
Checked

SHEET NO	REF. NO.	LOCATION	REMARKS	SIDE	CODE	SIZE (INCHES)	REM.OVRHD MT SIGN&DISPOSAL	REM.GRND. MNTD. MAJOR SIGN&DISPOSAL	REM.GROUND MOUNTED SIGN & DISPOSAL	REM. GRND. MNTD. BEAM SUPPORT & DISPOSAL	REM. GRND. MNTD. POST SUPRT & DISPOSAL	SIGNING, MISC.REMOVAL OF SIGN SUPRT FOUNDATIONS	REMOVAL OF GRND. MNTD. SIGN & RE-ERECTION	REMOVAL OF GRND. MNTD. MAJOR SIGN & RE-ERECTION	REMOVAL SIGN SERVICE & DISPOSAL APP	REMOVAL OF LUMIN & DISPOSAL	REM. BALLAST & DISPOSAL.	REM. SIGN WIR'G	REM.STRUCTURE MTD SIGN&DISP	GRD.MNTD. BEAM SPT. W 8 X 18																							
							EACH	EACH	EACH	EACH	EACH	EACH	EACH	EACH	EACH	EACH	EACH	EACH	EACH	EACH	EACH	EACH	EACH	EACH	Calculated	Checked																	
		SR-4 NORTHBOUND																																									
	324	15.577		Rt	GE	120x84		1			2																																
	325	15.741		Rt	GF-72	72x60			1	2		2																															
		SR-4 SOUTHBOUND																																									
	326	16.198	Remove	Rt	GL-96			1			3																																
			SPEED LIMIT 50	Rt	R-10-24	24x30			1																																		
	327	16.167	JCT (New)	Rt	M-17-21	21x15																																					
			SR-63 (New)		M-2-30-2	30x30																																					
	328	15.898		Rt	GE	120x84		1			3																																
	329	15.715	Use existing beams	Rt	GF-72	72x60			1																																		
		SR-63 WESTBOUND																																									
	330	0.988	Removal Only	Rt	GL-96			1			6																																
	331	0.754	Remove	Rt	GCR				1	2		2																															
			JCT (New)		M-17-21	21x15																																					
			SR-4 (New)		M-2-30-2	30x30																																					
	332	0.659	Use existing structure	Lt	GE	108x84	1																																				
				Rt	GE	120x84	1																																				
	333	0.273	Use existing structure	Lt	GE	96x60	1																																				
				Rt	GE	96x60	1																																				
	334	0.200	Use existing beams	Rt	GF-72	72x60			1																																		
TOTALS CARRIED TO GENERAL SUMMARY																																											

SUBSUMMARY

BUT-4-0.00/Var

30
290



CALCULATED
CHECKED

SR 4 & 63 INTERCHANGE

BUT-4-0.00

SIGN REPLACEMENT CONTRACT

BUTLER COUNTY - SR-4

REF. NO.	S.L.M.	SIDE	CODE	SIZE	SIGN EXTRUSHEET	SIGN, FLAT SHEET TYPE "G"	GROUND MOUNTED SUPPORTS NO. 3 POST	SIGN, DOUBLE FACED MILEMARKER, TYPE G	REMOVAL OF GROUND MOUNTED SIGN & DISPOSAL	REMOVAL OF GROUND MOUNTED SIGN&RE-ERECTION	REMOVAL OF GROUND MOUNTED POST SUPPORT & DISPOSAL	REMARKS	
	SR-4 NB Middletown to Middletown Mainline Signs			INCHES	SQ.FT.	SQ. FT.	LIN. FT.	EACH	EACH	EACH	EACH		Calculated
335	17.760	Rt	N-37-24	24x18		3.00	12		1		1	LEAVE CORP	SUBSUMMARY
336	17.783	Rt	GB									See SR-73 Ramps	
337	17.790	Rt	R-10-24	24x30		5.00	12					SPEED LIMIT 55 (New location)	
338	17.821	Rt	W-139R-48	48x48		16.00	13		1		1	ROCK SLIDES	
339	17.831	Rt	R-10-24						1		1	Remove Speed Limit 55 sign	
340	17.977	Rt	W-68-36	36x36		9.00	12		1		1	WATCH FOR ICE ON BRIDGE	
341	17.994	Rt	N-45-12	12x12			10	1	1		1	Mile Marker 18	
342	18.067	Rt	GE									See SR-73 Ramps	
343	18.140	Rt	W-97-48	48x60		20.00	13/13		1		2	EXIT 15 MPH	
344	18.287	Rt	W-49R-36	36x36		9.00	12		1		1	MERGE RIGHT	
345	18.400	Rt	R-2-48									See SR-73 Ramps	BUT-4-0.00/Var
346	18.443	Rt	M-2-24-2									See SR-73 Ramps	
347	18.517	Rt	R-10-24	24x30		5.00	12					SPEED LIMIT 55 (New location)	
348	18.712	Rt	W-26-36	36x36		9.00	12		1		1	Side road	
349	18.841	Rt	R-41B-30	30x30		6.25	12		1		1	DO NOT ENTER	
350	18.870	Rt	R-1-36	36x36		9.00	13		1		1	STOP on side street	
			R-24A-24	24x30		5.00			1			RIGHT TURN ONLY	
351	18.870	Rt	R-1-36	36x36		9.00	13		1		1	STOP On side street (Dualed signed)	
			R-24A-24	24x30		5.00			1			RIGHT TURN ONLY	
352	18.908	Rt	W-47-48						1		1	Remove Signal Ahead sign	
	TOTALS CARRIED TO GENERAL SUMMARY												<div style="border: 1px solid black; border-radius: 50%; width: 30px; height: 30px; display: flex; align-items: center; justify-content: center; margin: 0 auto;"> 32 270 </div>

SIGN REPLACEMENT CONTRACT

BUTLER COUNTY - SR-4

REF. NO.	S.L.M.	SIDE	CODE	SIZE	SIGN EXTRUSHEET	SIGN, FLAT SHEET TYPE "G"	GROUND MOUNTED SUPPORTS NO. 3 POST	SIGN, DOUBLE FACED MILEMARKER, TYPE G	REMOVAL OF GROUND MOUNTED SIGN & DISPOSAL	REMOVAL OF GROUND MOUNTED SIGN&RE-ERECTION	REMOVAL OF GROUND MOUNTED POST SUPPORT & DISPOSAL	REMARKS	
	SR-4 NB / Middltn to Middltn			INCHES	SQ.FT.	SQ. FT.	LIN. FT.	EACH	EACH	EACH	EACH		
353	18.953	Rt	N-1-40						1	1	2	Remove Corp sign / re-erect other sign at new location	SUBSUMMARY
354	19.000	Rt	N-45-12	12x12			10	1	1		1	Mile Marker 19	
355	19.080	Rt	N-1-40	40x20		5.56	12/12					MIDDLETOWN CORPORATION LIMIT (New location)	
	SR-4 SB												
	Middletown to Middletown												
356	19.010	Rt	R-10-24	24x30		5.00	12					SPEED LIMIT 55 (New location)	BUT-4-0.00/Var
357	19.000	Rt	N-45-12	12x12			10	1				Mile Marker 19 (New location)	
358	18.974	Rt	R-10-24						1		1	Remove Speed Limit 55 sign	
359	18.910	Rt	R-41B-30	30x30		6.25	12		1		1	DO NOT ENTER	
360	18.875	Rt	R-1-36	36x36		9.00	13		1		1	STOP On side street	
			R-24A-24	24x30		5.00			1			RIGHT TURN ONLY	
361	18.875	Rt	R-1-36	36x36		9.00	13		1		1	STOP On side street (Dual signed)	
			R-24A-24	24x30		5.00			1			RIGHT TURN ONLY	
362	18.800	Rt	GE									See SR-73 Ramps	
363	18.585	Rt	W-49R-36	36x36		9.00	13		1		1	MERGE RIGHT	
364	18.487	Rt	W-68-36	36x36		9.00	12/12		1		2	WATCH FOR ICE ON BRIDGE	
365	18.430	Rt	M-38-24	24x12		2.00	12					SOUTH New location	
			M-2-24-2	24x24		4.00						SR-4	
	TOTALS CARRIED TO GENERAL SUMMARY												<div style="border: 1px solid black; border-radius: 50%; width: 30px; height: 30px; display: flex; align-items: center; justify-content: center; margin: 0 auto;"> 33 / 270 </div>

Calculated _____
Checked _____

SHEET NO	REF. NO.	LOCATION	REMARKS	SIDE	CODE	SIZE (INCHES)	SIGN, GRND MTD EXTRUSHEET	SIGN, FLAT SHEET TYPE G	GROUND MOUNTED SUPPORT, NO. 3 POST	ONE WAY SUPPORT, NO. 3 POST	GROUND MOUNTED BEAM SUPPORT S 4 X 7.7	GROUND MOUNTED BEAM SUPPORT W 10 X 12	GROUND MOUNTED BEAM SUPPORT W 10 X 22	GROUND MOUNTED BEAM SUPPORT FOUNDATION	BREAKAWAY BEAM CONN.	GROUND MOUNTED BEAM SUPPORT W 6 X 9	SIGN, OVERHEAD EXTRUSHEET	OVRD SIGN SUPT TYPE TC-12.30	RIGID OVERHD SIGN SUP.FONDA	SIGN ATACH ASSEMBLY	SUBSUMMARY																				
																					Calculated	Checked																			
		BUTLER COUNTY SR-4 / SR-73 INTERCHANGE SR-73 RAMPS																																							
		NB EXIT RAMP					SF	SF	FT	FT	FT	FT	FT	EACH	EACH	FT	SF	EACH	EACH	EACH																					
	374	0.000	Removal Only	Rt	GL																																				
	375	0.143	JCT (New)	Rt	M-17-21	21x15		2.19	13																																
			SR-73		M-2-24-2	24x24		4.00																																	
	376	0.284	Remove GE sign	Rt	GE																																				
			Remove Route Marker		M-39-24																																				
			Assembly's		M-2-24-2																																				
					M-26-21																																				
					M-40-24																																				
					M-2-24-3																																				
					M-27-21																																				
	377	0.317	GE Level III (New location)	Rt	GE	120X84	70.00					19.22/19.35		2	2																										
					M-39-24	24x12		2.00																																	
					M-2-24-2	24x24		4.00																																	
					M-26-21	21x15		2.19																																	
					M-40-24	24x12		2.00																																	
					M-2-24-2	24x24		4.00																																	
					M-27-21	21x15		2.19																																	
	378	0.478	EAST	Lt	M-39-24	24x12		2.00	14/14																																
			SR-73		M-2-24-2	24x24		4.00																																	
			1		M-26-21	21x15		2.19																																	
			WEST		M-40-24	24x12		2.00																																	
			SR-73		M-2-24-2	24x24		4.00																																	
					M-27-21	21x15		2.19																																	
	379	0.521		Rt	W-47-48	48x48	32.00	16.00	13																																
	380	0.538	←TRENTON 2 / ← OXFORD 18	Rt	D-4B-48	96x48								2	2	15.12/17.00																									
			WEST (Mount On Top)		M-40-24	24x12		2.00																																	
			SR-73		M-2-24-2	24x24		4.00																																	
TOTALS CARRIED TO GENERAL SUMMARY																																									

SUBSUMMARY

BUT-4-0.00/Var

35
270

SHEET NO	REF. NO.	LOCATION	REMARKS	SIDE	CODE	SIZE (INCHES)	REM.OVRHD MT SIGN&DISPOSAL	REM.GRND. MNTD. MAJOR SIGN&DISPOSAL	REM.GROUND MOUNTED SIGN & DISPOSAL	REM. GRND. MNTD. BEAM SUPPORT & DISPOSAL	REM. GRND. MNTD. POST SUPRT & DISPOSAL	SIGNING, MISC.REMOVAL OF SIGN SUPRT FOUNDATIONS	REMOVAL OF GROUND MOUNTED SIGN & RE-ERECTION	REMOVAL OF GROUND MOUNTED MAJOR SIGN & RE-ERECTION	REM.SN.SERV & DISP., APP	REMOVAL OF LUMN & DISPOSAL	REM. BALLAST & DISPOSAL	REM. SIGN WIR'G & DISPOSAL	REM. STRUCTURE MNTD. SIGN&DISPOSAL	GRD.MNTD. BEAM SPT. W 8 X 18		Calculated	Checked																			
		BUTLER COUNTY SR-4 / SR-73 INTERCHANGE SR-73 RAMPS					EACH	EACH	EACH	EACH	EACH	EACH	EACH	EACH	EACH	EACH	EACH	EACH	EACH	EACH																						
		NB EXIT RAMP																																								
	374	0.000						1			2																															
	375	0.143																																								
	376	0.284						1			3																															
									1																																	
									1																																	
									1																																	
									1																																	
									1																																	
	377	0.317																																								
	378	0.478							1		1																															
									1																																	
									1																																	
									1		1																															
									1																																	
									1																																	
	379	0.521							1		1																															
	380	0.538							1		2																															
									1																																	
									1																																	
TOTALS CARRIED TO GENERAL SUMMARY																																										
																					SUBSUMMARY																					
																					BUT-4-0.00/Var																					
																					36 270																					

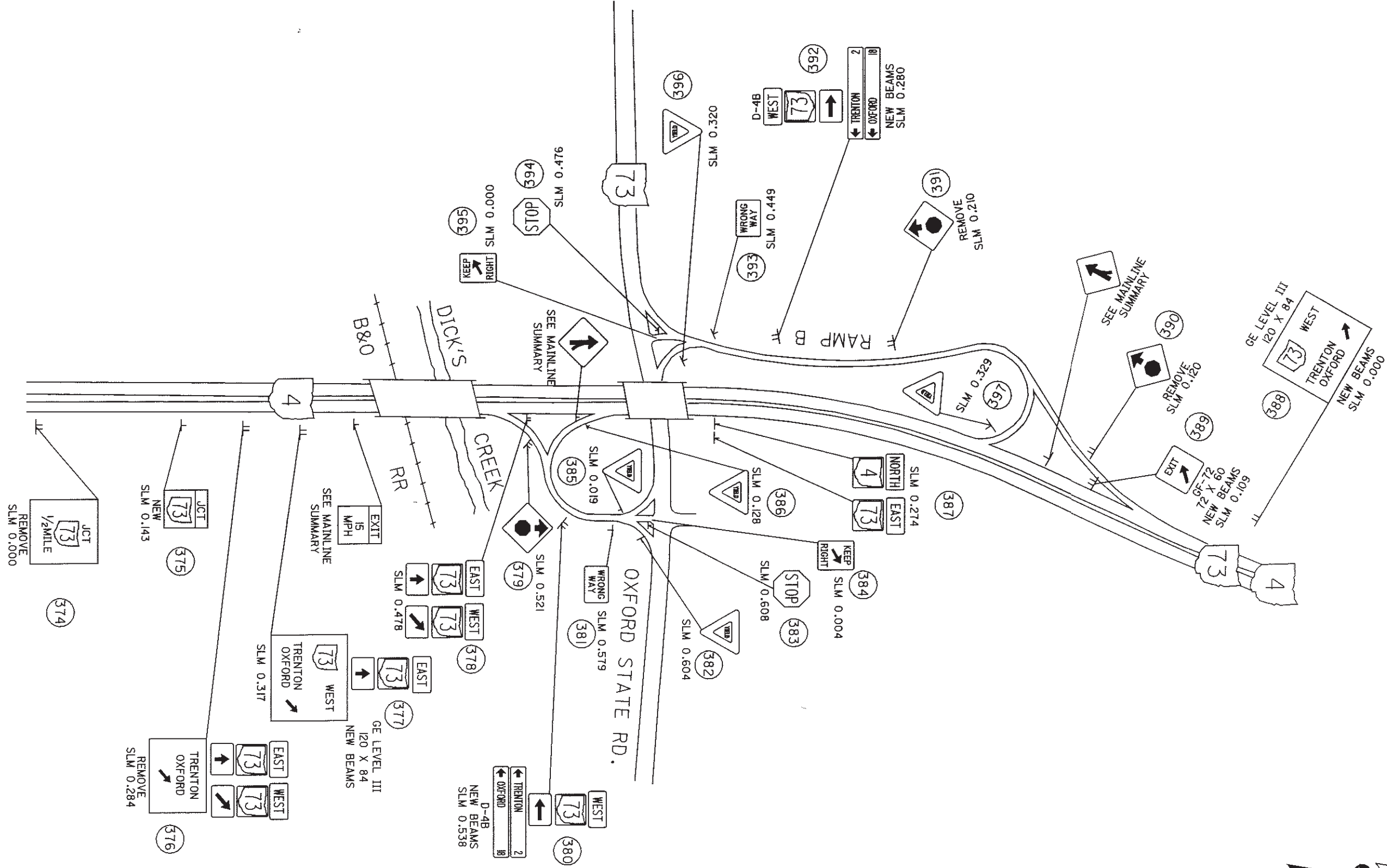
SHEET NO	REF. NO.	LOCATION	REMARKS	SIDE	CODE	SIZE (INCHES)	SIGN, GRND MTD EXTRUSHEET	SIGN, FLAT SHEET TYPE G	GROUND MOUNTED SUPPORT, NO. 3 POST	ONE WAY SUPPORT, NO. 3 POST	GROUND MOUNTED BEAM SUPPORT S 4 X 7.7	GROUND MOUNTED BEAM SUPPORT W 10 X 12	GROUND MOUNTED BEAM SUPPORT W 10 X 22	GROUND MOUNTED BEAM SUPPORT FOUNDATION	BREAKAWAY BEAM CONN.	GROUND MOUNTED BEAM SUPPORT W 6 X 9	SIGN, OVERHEAD EXTRUSHEET	OVRD SIGN SUPT TYPE TC-12.30	RIGID OVERHD SIGN SUP.FONDA	SIGN ATACH ASSEMBLY	Calculated																					
																					Checked																					
		BUTLER COUNTY SR-4 / SR-73 INTERCHANGE SR-73 RAMPS																																								
		NB EXIT RAMP					SF	SF	FT	FT	FT	FT	FT	EACH	EACH	FT	SF	EACH	EACH	EACH																						
	380	0.538	←		M-24-21	21x15		2.19																																		
	381	0.579		Rt	R-41A-36	36x24		6.00	12																																	
	382	0.604		Rt	R-2-48	48x48		16.00	13																																	
	383	0.608		Rt	R-1-36	36x36		9.00	12																																	
		NB ENTRANCE RAMP																																								
	384	0.004		Lt	R-37R-24	24x30		5.00	12																																	
	385	0.019	New Sign	Rt	R-2-48	48x48		16.00	13																																	
	386	0.0128		Rt	R-2-48	48x48		16.00	13																																	
	387	0.274	NORTH	Rt	M-37-24	24x12		2.00	12																																	
			SR-4		M-2-24-2	24x24		4.00																																		
			EAST		M-39-24	24x12		2.00	12																																	
			SR-73		M-2-24-2	24x24		4.00																																		
		SB EXIT RAMP																																								
	388	0.000	Level III Sign	Rt	GE	120X84	70.00					20.20/21.94		2	2																											
	389	0.109		Rt	GF	72x60	30.00				14.15/14/15			2	2																											
	390	0.120	Removal Only	Rt	W-47-48																																					
	391	0.210	New Location	Rt	W-47-48	48x48		16.00	13																																	
	392	0.280	←TRENTON 2 / ←OXFORD 18	Rt	D-4B-48	96x48	32.00				13.62/15.06			2	2																											
					M-40-24	24x12		2.00																																		
					M-2-24-2	24x24		4.00																																		
					M-24-21	21x15		2.19																																		
	393	0.449		Rt	R-41A-36	36x24		5.00	12																																	
	394	0.476		Rt	R-1-36	36x36		9.00	12																																	
		SB ENTRANCE RAMP																																								
	395	0.000		Lt	R-37R-24	24x30		5.00	12																																	
	396	0.320		Rt	R-2-48	48x48		16.00	13																																	
	397	0.329		Rt	R-2-48	48x48		16.00	13																																	
TOTALS CARRIED TO GENERAL SUMMARY																																										

SUBSUMMARY

BUT-4-0.00/Var

37
270

SHEET NO	REF. NO.	LOCATION	REMARKS	SIDE	CODE	SIZE (INCHES)	REM.OVRHD MT SIGN&DISPOSAL	REM.GRND. MNTD. MAJOR SIGN&DISPOSAL	REMLGROUND MOUNTED SIGN & DISPOSAL	REM. GRND. MNTD. BEAM SUPPORT & DISPOSAL	REM. GROUND MOUNTED POST SUPRT & DISPOSAL	SIGNING, MISC.REMOVAL OF SIGN SUPRT FOUNDATIONS	REMOVAL OF GROUND MOUNTED SIGN & RE-ERECTION	REMOVAL OF GROUND MOUNTED MAJOR SIGN & RE-ERECTION	REMS.NSERV &DISP., APP	REMOVAL OF LUMN & DISPOSAL	REM. BALLAST & DISPOSAL	REM SIGN WIR'G & DISPOSAL	REM. STRUCT. MTD SIGN&DISP	GRD.MNTD. BEAM SPT. W 8 X 18		Calculated	Checked
		BUTLER COUNTY SR-4 / SR-73 INTERCHANGE SR-73 RAMPS																					
		NB EXIT RAMP					EACH	EACH	EACH	EACH	EACH	EACH	EACH	EACH	EACH	EACH	EACH	EACH	EACH	EACH			
	380	0.538							1														
	381	0.579							1	1													
	382	0.604							1	1													
	383	0.608							1	1													
		NB ENTRANCE RAMP																					
	384	0.004							1	1													
	385	0.019																					
	386	0.0128							1	1													
	387	0.274							1	1													
									1														
									1	1													
									1														
		SB EXIT RAMP																					
	388	0.000						1		3													
	389	0.109							1	2													
	390	0.120							1	1													
	391	0.210																					
	392	0.280							1	2													
									1														
									1														
	393	0.449							1	1													
	394	0.476							1	1													
		SB ENTRANCE RAMP																					
	395	0.000							1	1													
	396	0.320							1	1													
	397	0.329							1	1													
TOTALS CARRIED TO GENERAL SUMMARY																						SUBSUMMARY	
																						BUT-4-0.00/Var	
																						38 270	



SIGN REPLACEMENT CONTRACT

BUTLER COUNTY - SR-4

REF. NO.	S.L.M.	SIDE	CODE	SIZE	SIGN EXTRUSHEET	SIGN, FLAT SHEET TYPE "G"	GROUND MOUNTED SUPPORTS NO. 3 POST	SIGN, DOUBLE FACED MILEMARKER, TYPE G	REMOVAL OF GROUND MOUNTED SIGN & DISPOSAL	REMOVAL OF GROUND MOUNTED SIGN&RE-ERECTION	REMOVAL OF GROUND MOUNTED POST SUPPORT & DISPOSAL	REMARKS	
	Resume Work Middletown N. Corp. 23.230 Divided Highway Section Left Side = Median			INCHES	SQ.FT.	SQ. FT.	LIN. FT.	EACH	EACH	EACH	EACH		Calculated Checked
398	23.290	Rt	R-55L-12	12x18		1.50	10					NO PARKING / Left Arrow (New)	SUBSUMMARY
399	23.315	Rt	R-55-12	12x18		1.50	10		1		1	NO PARKING / Double Arrow	
400	23.344	Rt	R-10-24	24x30		5.00	12		1		1	SPEED LIMIT 45	
401	23.352	Rt	R-55-12	12x18		1.50	10		1		1	NO PARKING / Double Arrow	
402	23.365	Rt	N-1A-40	40x20		5.56	12/12		1		2	MADISON TOWNSHIP LIMIT	
403	23.400	Rt	R-55-12	12x18		1.50	10		1		1	NO PARKING / Double Arrow	
404	23.418	Rt	R-1-30	30x30		6.25	12		1		1	STOP On side road	
405	23.438	Rt	R-55-12	12x18		1.50	10		1		1	NO PARKING / Double Arrow	
406	23.451	Rt	D-6-60	60x30	12.50		12/12		1		2	GERMANTOWN 9 / DAYTON 20	
407	23.477	Rt	R-55-12	12x18		1.50	10					NO PARKING / Double Arrow (New location)	
408	23.514	Rt	R-55-12	12x18		1.50	10					NO PARKING / Double Arrow (New location)	
409	23.549	Rt	R-55-12	12x18		1.50	10		1		1	NO PARKING / Double Arrow	
410	23.564	Rt	R-55-12						1		1	Remove NO PARKING sign	
411	23.580	Rt	R-10-24	24x30		5.00	12		1		1	SPEED LIMIT 45	
412	23.587	Rt	R-55-12	12x18		1.50	10					NO PARKING / Double Arrow (New location)	
413	23.606	Rt	D-8G-14	40x14		3.89	12/12		2		2	TRENTON / FRANKLIN RD (Remove No Parking sign also)	
414	23.625	Rt	R-55R-12	12x18		1.50	10					NO PARKING / Right Arrow (New location)	
415	23.670	Rt	R-1-30	30x30		6.25	12		1		1	STOP On side street	
416	23.685	Rt	R-31M-48	48x30		10.00	12/12		1		2	LT/THR/RT	
417	23.717	Rt	N-1B-40	40x20		5.56	12/12		1		2	POAST TOWN	
	TOTALS CARRIED TO GENERAL SUMMARY												40 270

BUT-4-0.00/Var

SIGN REPLACEMENT CONTRACT

BUTLER COUNTY - SR-4

REF. NO.	S.L.M.	SIDE	CODE	SIZE	SIGN EXTRUSHEET	SIGN, FLAT SHEET TYPE "G"	GROUND MOUNTED SUPPORTS NO. 3 POST	SIGN, DOUBLE FACED MILEMARKER, TYPE G	REMOVAL OF GROUND MOUNTED SIGN & DISPOSAL	REMOVAL OF GROUND MOUNTED SIGN&RE-ECTION	REMOVAL OF GROUND MOUNTED POST SUPPORT & DISPOSAL	REMARKS	
				INCHES	SQ.FT.	SQ. FT.	LIN. FT.	EACH	EACH	EACH	EACH		Calculated
418	23.727	Rt	R-31M-48						1		2	Remove Lane Use sign	SUBSUMMARY
419	23.730	Rt	R-31M-48	48x30		10.00	12/12					LT/THR/RT (New location)	
420	23.766	Rt	M-37-24	24x12		2.00	12				1	NORTH (New)	
			M-2-24-2	24x24		4.00			1			SR-4	
421	23.778	Rt	R-10-24	24x30		5.00	12		1		1	SPEED LIMIT 45	
422	23.782	Rt	RP-49-36	36x12		3.00	12/12		1		2	BEGIN	
			R-48-36	36x48		12.00			1			CENTERLANE TWLT ONLY	
423	23.783	Rt	W-92-36						1		1	Remove Fire House sign	
424	23.796	Rt	W-75-30						1		1	Remove Church Entrance sign	
			W-92-36	36x36		9.00	13					Replace with Fire House symbol sign	
425	23.895	Rt	W-42-36	36x36		9.00	13		1		1	13'8"	BUT-4-0.00/Var
426	23.978	Rt	R-31Q-30	30x30		6.25	12		1		1	LT/THR	
427	23.993	Rt	N-45-12	12x12			10	1				Mile Marker 24	
428	23.998	Rt	R-10-24						1		1	Remove Speed Limit sign	
429	24.046	Rt	R-10-24	24x30		5.00	12					SPEED LIMIT 45 (New location)	
430	24.131	Rt	W-53L-36	36x36		9.00	13		1		1	LEFT LANE ENDS	
431	24.184	Rt	W-26-30	30x30		6.25	12		1		1	Side road	
432	24.252	Rt	W-60L-36	36x36		9.00	13		1		1	Left Lane Ends symbol	
433	24.337	Lt	R-38R-24	24x30		5.00	12		1		1	KEEP RIGHT symbol sign	
TOTALS CARRIED TO GENERAL SUMMARY													41 270

SIGN REPLACEMENT CONTRACT

BUTLER COUNTY - SR-4

REF. NO.	S.L.M.	SIDE	CODE	SIZE	SIGN EXTRUSHEET	SIGN, FLAT SHEET TYPE "G"	GROUND MOUNTED SUPPORTS NO. 3 POST	SIGN, DOUBLE FACED MILEMARKER, TYPE G	REMOVAL OF GROUND MOUNTED SIGN & DISPOSAL	REMOVAL OF GROUND MOUNTED SIGN&RE-ECTION	REMOVAL OF GROUND MOUNTED POST SUPPORT & DISPOSAL	REMARKS	
	SR-4 SB			INCHES	SQ.FT.	SQ. FT.	LIN. FT.	EACH	EACH	EACH	EACH		Calculated
434	24.371	Rt	R-11B-24	24x30		5.00	12		1		1	REDUCED SPEED AHEAD	SUBSUMMARY
435	24.331	Rt	R-1-30	30x30		6.25	12		1		1	STOP On side street	
436	24.332	Lt	R-37R-24	24x30		5.00	12		1		1	KEEP RIGHT (Faces SB traffic)	
437	24.302	Rt	M-38-24	24x12		2.00	12		1		1	SOUTH	
			M-2-24-2	24x24		4.00			1			SR-4	
438	24.244	Rt	R-10-24	24x30		5.00	12		1		1	SPEED LIMIT 45	
439	24.314	Rt	W-42-36	36x36		9.00	13		1		1	13'-8"	
440	24.083	Rt	R-55L-12	12x18		1.50	10		1		1	NO PARKING / Left Arrow	
441	24.061	Rt	R-55-12	12x18		1.50	10		1		1	NO PARKING / Double Arrow	
442	24.038	Rt	R-55-12	12x18		1.50	10		1		1	NO PARKING / Double Arrow	
443	24.015	Rt	R-55R-12	12x18		1.50	10		1		1	NO PARKING / Right Arrow	BUT-4-0.00/Var
444	23.978	Rt	W-92-36	36x36		9.00	13		1		1	Fire House symbol	
445	23.944	Rt	N-1B-40	40x20		5.56	12/12		1		2	POAST TOWN (Erect next to hazard marker)	
446	23.918	Rt	RP-49-36	36x12		3.00	13		1		1	BEGIN	
			R-48-36	36x48		12.00			1			CENTERLANE TWLT ONLY	
447	23.886	Rt	W-47-36									Remove Signal Ahead sign	
448	23.800	Rt	R-10-24	24x30		5.00	12		1		1	SPEED LIMIT 45	
449	23.774	Rt	RP-51-36	36x12		3.00			1		1	END	
			R-48-36	36x48		12.00			1			CENTERLANE TWLT ONLY	
450	23.714	Rt	M-38-24	24x12		2.00	12					SOUTH (New location)	
	TOTALS CARRIED TO GENERAL SUMMARY												42 270

SIGN REPLACEMENT CONTRACT

BUTLER COUNTY - SR-4

REF. NO.	S.L.M.	SIDE	CODE	SIZE	SIGN EXTRUSHEET	SIGN, FLAT SHEET TYPE "G"	GROUND MOUNTED SUPPORTS NO. 3 POST	SIGN, DOUBLE FACED MILEMARKER, TYPE G	REMOVAL OF GROUND MOUNTED SIGN & DISPOSAL	REMOVAL OF GROUND MOUNTED SIGN&RE-ERECTION	REMOVAL OF GROUND MOUNTED POST SUPPORT & DISPOSAL	REMARKS	
				INCHES	SQ.FT.	SQ. FT.	LIN. FT.	EACH	EACH	EACH	EACH		Calculated Checked
			M-2-24-2	24x24		4.00						SR-4	SUBSUMMARY
451	23.580	Rt	R-10-24	24x30		5.00	12		1		1	SPEED LIMIT 45	
452	23.343	Rt	R-11A-24	24x30		5.00	12		1		1	REDUCED SPEED 35 AHEAD	
453	23.242	Rt										Do not disturb Signal Ahead sign	
454	23.230	Rt	N-1-40	40x20		5.56			1			Add to existing bridge bracket	
												End SB Divided Section	
												Resume 2 Lane Section NB	
455	24.365	Rt	M-37-24	24x12		2.00	12		1		1	NORTH	BUT-4-0.00/Var
			M-2-24-2	24x24		4.00			1			SR-4	
456	24.387	Rt	R-33-24	24x30		5.00	12		1		1	DO NOT PASS	
457	24.434	Rt	W-71-30	30x30		6.25	13		1		1	Two Way Traffic	
458	24.473	Rt	R-10-24	24x30		5.00	12		1		1	SPEED LIMIT 55	
459	24.503	Lt	W-75-30	30x30		6.25	12		1		1	TRUCK ENTRANCE	
460	24.512	Rt	R-33-24	24x30		5.00	12		1		1	DO NOT PASS	
461	24.521	Rt							1		1	Remove No Passing/Solid Line sign	
462	24.521	Lt	W-26-30	30x30		6.25	12		1		1	Side road	
463	24.556	Lt	R-36R-24	24x30		5.00	12		1		1	THROUGH TRAFFIC KEEP RIGHT	
464	24.611	Rt	W-24-30	30x30		6.25	13		1		1	Cross road	
												TOTALS CARRIED TO GENERAL SUMMARY	43 270

SIGN REPLACEMENT CONTRACT

BUTLER COUNTY - SR-4

REF. NO.	S.L.M.	SIDE	CODE	SIZE	SIGN EXTRUSHEET	SIGN, FLAT SHEET TYPE "G"	GROUND MOUNTED SUPPORTS NO. 3 POST	SIGN, DOUBLE FACED MILEMARKER, TYPE G	REMOVAL OF GROUND MOUNTED SIGN & DISPOSAL	REMOVAL OF GROUND MOUNTED SIGN&RE-ERECTION	REMOVAL OF GROUND MOUNTED POST SUPPORT & DISPOSAL	REMARKS		
				INCHES	SQ.FT.	SQ. FT.	LIN. FT.	EACH	EACH	EACH	EACH			
			D-8Y-42	42x8		2.33			1			THOMAS RD		
465	24.611	Lt	W-85-36	36x36		9.00	13		1		1	Divided Highway symbol		
466	24.659	Lt	R-55R-12	12x18		1.50	10		1		1	NO PARKING / right arrow		
467	24.684	Rt	R-33-24	24x30		5.00	12		1		1	DO NOT PASS		
468	24.684	Lt	R-33-24	24x30		5.00	12		1		1	DO NOT PASS		
469	24.700	Lt	R-55-12	12x18		1.50	10		1		1	NO PARKING / double arrow		
470	24.723	Lt	M-38-24	24x12		2.00	12		1		1	SOUTH		
			M-2-24-2	24x24		4.00			1			SR-4		
			R-55-12									Remove No Parking sign		
471	24.728	Lt	R-55-12	12x18		1.50	12					NO PARKING / double arrow (New location)		
472	24.757	Lt	R-55L-12	12x18		1.50	12					NO PARKING / left arrow (New location)		
473	24.766	Rt	R-1-30	30x30		12.50	12/12		2		2	Dual Stops on Thomas Road		
474	24.766	Lt	R-1-30	30x30		12.50	12/12		2		2	Dual Stops on Thomas Road		
475	24.799	Lt					12			1	1	Re-erect Safe Drinking Water sign		
476	24.804	Rt	M-37-24	24x12		2.00	12		1		1	NORTH		
			M-2-24-2	24x24		4.00			1			SR-4		
477	24.951	Lt	W-24-30	30x30		6.25	12		1		1	Cross road		
			D-8Y-42	42x8		2.33			1			THOMAS RD		
478	24.989	Rt	N-45-12						1		1	Remove Mile Marker 25		
479	25.000	Rt	N-45-12	12x12			10	1				Mile Marker 25 (New location)		
TOTALS CARRIED TO GENERAL SUMMARY														

Calculated _____
Checked _____

SUBSUMMARY

BUT-4-0.00/Var

44
270

SIGN REPLACEMENT CONTRACT

BUTLER COUNTY - SR-4

REF. NO.	S.L.M.	SIDE	CODE	SIZE	SIGN EXTRUSHEET	SIGN, FLAT SHEET TYPE "G"	GROUND MOUNTED SUPPORTS NO. 3 POST	SIGN, DOUBLE FACED MILEMARKER, TYPE G	REMOVAL OF GROUND MOUNTED SIGN & DISPOSAL	REMOVAL OF GROUND MOUNTED SIGN & RE-ERECTION	REMOVAL OF GROUND MOUNTED POST SUPPORT & DISPOSAL	REMARKS	Calculated Checked	
													INCHES	SQ.FT.
480	25.985	Rt	N-45-12						1		1	Remove Mile Marker 26	SUBSUMMARY	
481	26.000	Rt	N-45-12	12x12			10	1				Mile Marker 26		
482	26.213	Rt	W-24-30	30x30		6.25	13		1		1	Cross road		
			D-8Y-41	41x8		2.28			1			KEISTER RD		
483	26.346	Lt	M-38-24	24x12		2.00	12		1		1	SOUTH		
			M-2-24-2	24x24		4.00			1			SR-4		
484	26.370	Lt	R-1-30	30x30		12.50	12/12		2		2	Dual Stops on Keister Road		
485	26.370	Rt	R-1-30	30x30		6.25	12		1		1	STOP On Keister Road		
486	26.375	Rt	D-7-72						1		2	Remove Keister Road sign		
487	26.394	Rt	M-37-24	24x12		2.00	12		1		1	NORTH		
			M-2-24-2	24x24		4.00			1			SR-4	BUT-4-0.00/Var	
488	26.544	Lt	W-24-30	30x30		6.25	13		1		1	Cross road		
			D-8Y-41	41x8		2.28			1			KEISTER RD		
489	26.752	Lt	N-1-40	40x20		5.56	14/14		1		2	ENTER BUTLER CO/LEAVE MONTGOMERY CO		
			N-1A-40	40x20		5.56			1			MADISON TOWNSHIP LIMIT		
	Subtotal Middletown to Mot. Co.													
	TOTALS CARRIED TO GENERAL SUMMARY													

45
270

SHEET NO	REF. NO.	LOCATION	REMARKS	SIDE	CODE	SIZE (INCHES)	SIGN, GRND MTD EXTRUSHEET	SIGN, FLAT SHEET TYPE G	GROUND MOUNTED SUPPORT, NO. 3 POST	ONE WAY SUPPORT, NO. 3 POST	GROUND MOUNTED BEAM SUPPORT S 4 X 7.7	GROUND MOUNTED BEAM SUPPORT W 10 X 12	GROUND MOUNTED BEAM SUPPORT W 10 X 22	GROUND MOUNTED BEAM SUPPORT FOUNDATION	BREAKAWAY BEAM CONN.	GROUND MOUNTED BEAM SUPPORT W 6 X 9	SIGN, OVERHEAD EXTRUSHEET	OVRD SIGN SUPT TYPE TC-12.30	RIGID OVERHD SIGN SUP.FONDA	SIGN ATACH ASSEMBLY		Calculated	Checked	
		BUTLER COUNTY SR-4					SF	SF	FT	FT	FT	FT	FT	EACH	EACH	FT	SF	EACH	EACH	EACH				
SUBSUMMARY																								
BUT-4-0.00/Var																								
SUB-SUMMARY TOTALS							1083.50	213	2503.45	19	6539	87.40	161.58	32.12	16	9	16	14					46	276

SIGN REPLACEMENT CONTRACT

BUTLER COUNTY - SR-4 BYPASS

REF. NO.	S.L.M.	SIDE	CODE	SIZE	SIGN EXTRUSHEET	SIGN, FLAT SHEET TYPE "G"	GROUND MOUNTED SUPPORTS NO. 3 POST	SIGN, DOUBLE FACED MILEMARKER, TYPE G	REMOVAL OF GROUND MOUNTED SIGN & DISPOSAL	REMOVAL OF GROUND MOUNTED SIGN&RE-ERECTION	REMOVAL OF GROUND MOUNTED POST SUPPORT & DISPOSAL	REMARKS	
	Start at Tylersville Road 2.756			INCHES	SQ.FT.	SQ. FT.	LIN. FT.	EACH	EACH	EACH	EACH		Calculated Checked
1	2.782	Rt	M-37-24	24x12		2.00	12		1		1	NORTH	SUBSUMMARY
			M-11-24	24x12		2.00			1			BY-PASS	
			M-2-24-2	24x24		4.00			1			SR-4	
2	2.785	Lt	R-31A-36	36x30		7.25	12		1		1	LEFT/THRU-RIGHT	
3	2.809	Rt	N-1A-40	40x20		5.56	12/12		1		2	FAIRFIELD TOWNSHIP LIMIT	
										1		Relocate and re-erect Adopt-A-Highway sign to 2.889	BUT-4-0.00/Var
4	2.838	Rt	R-10-24	24x30		5.00	13		1		1	55 MPH	
5	2.876	Lt	D-1G-72 Mod.	72x12	6.00		12/12		1		2	TYLERSVILLE RD.	
			N-59-24	24x24		4.00			1			Airport Symbol Sign (White on Green)	
			BM-26-21	21x15		2.19			1			↑ (White on Green)	
6	2.889	Rt					10/10		1		1	Remove Seat Belt sign / Re-erect Adopt-A-Highway sign	
												from 2.809, Location #3	
7	2.968	Lt	W-47-36	36x36		9.00	13		1		1	Signal Ahead	
8	3.003	Rt	N-45-12	12x12			10	1			1	Mile Marker 3	
9	3.104	Lt	R-11B-24	24x30		5.00	12		1		1	Reduced Speed Ahead	
10	3.721	Rt	W-47-36	36x36		9.00	13		1		1	Signal Ahead	
11	3.759	Rt	D-1G-72 Mod.	72x12	6.00		12/13		1		2	HAMILTON-MASON RD.	
12	3.805	Rt	R-31A-36	36x30		7.25	13		1		1	LEFT/THRU-RIGHT	
	TOTALS CARRIED TO GENERAL SUMMARY												48 270

SIGN REPLACEMENT CONTRACT

BUTLER COUNTY - SR-4 BYPASS

REF. NO.	S.L.M.	SIDE	CODE	SIZE	SIGN EXTRUSHEET	SIGN, FLAT SHEET TYPE "G"	GROUND MOUNTED SUPPORTS NO. 3 POST	SIGN, DOUBLE FACED MILEMARKER, TYPE G	REMOVAL OF GROUND MOUNTED SIGN & DISPOSAL	REMOVAL OF GROUND MOUNTED SIGN&RE-ERECTION	REMOVAL OF GROUND MOUNTED POST SUPPORT & DISPOSAL	REMARKS	Calculated	Checked
				INCHES	SQ.FT.	SQ. FT.	LIN. FT.	EACH	EACH	EACH	EACH			
13	3.829	Lt	M-38-24	24x12		2.00	13		1		1	SOUTH		
			M-11-24	24x12		2.00			1			BY-PASS		
			M-24-2	24x24		4.00			1			SR-4		
14	3.847	Rt	R-31A-36	36x30		7.25	12		1		1	LEFT/THRU-RIGHT		
15	3.847	Lt	D-7-48	48x10	3.33		11/11		1		2	BUTLER COUNTY/HAMILTON-MASON RD.		
16	3.871	Rt	D-7-48	48x10	3.33		11/11		1		2	BUTLER COUNTY/HAMILTON-MASON RD.		
17	3.871	Lt	R-31A-36	36x30		7.25	12		1		1	LEFT/THRU-RIGHT		
18	3.892	Rt	M-37-24	24x12		2.00	13		1		1	NORTH		
			M-11-24	24x12		2.00			1			BY-PASS		
			M-2-24-2	24x24		4.00			1			SR-4		
19	3.916	Lt	R-31A-36	36x30		7.25	12		1		1	LEFT/THRU-RIGHT		
20	3.962	Lt	D-1G-72 Mod.	72x12	6.00		11/11		1		2	HAMILTON-MASON RD.		
21	3.991	Lt	W-47-36	36x36		9.00	13		1		1	Signal Ahead (Symbol)		
22	3.999	Rt	N-45-12	12x12			10	1			1	MILE MARKER 4		
23	4.039	Rt	M-17-21	21x15		2.19	13					JCT (New)		
			M-2-24-3	30x24		5.00						SR-129		
24	4.130	Rt					13/13			1	2	Re-erect M-52A		
25	4.211	Rt										Do not disturb D-4		
26	4.211	Lt	R-10-24	24x30		5.00	13		1		1	55 MPH		
	TOTALS CARRIED TO GENERAL SUMMARY													

SUBSUMMARY

BUT-4-0.00/Var

49
270

SIGN REPLACEMENT CONTRACT

BUTLER COUNTY - SR-4 BYPASS

REF. NO.	S.L.M.	SIDE	CODE	SIZE	SIGN EXTRUSHEET	SIGN, FLAT SHEET TYPE "G"	GROUND MOUNTED SUPPORTS NO. 3 POST	SIGN, DOUBLE FACED MILEMARKER, TYPE G	REMOVAL OF GROUND MOUNTED SIGN & DISPOSAL	REMOVAL OF GROUND MOUNTED SIGN & RE-ERECTION	REMOVAL OF GROUND MOUNTED POST SUPPORT & DISPOSAL	REMARKS	
				INCHES	SQ.FT.	SQ. FT.	LIN. FT.	EACH	EACH	EACH	EACH		Calculated Checked
27	4.273	Lt	M-38-24	24x12		2.00			1		1	SOUTH	SUBSUMMARY
			M-11-24	24x12		2.00			1			BY-PASS	
			M-2-24-2	24x24		4.00			1			SR-4	
28	4.282	Rt	M-51-66	66x36	16.50		12/12		1		2	BY-PASS (Faces EB off ramp)	BUT-4-0.00/Var
												NORTH 4 SOUTH	
												← →	
29	4.398	Rt	M-40-24	24x12		2.00	13		1		1	WEST	BUT-4-0.00/Var
			M-2-24-3	30x24		5.00			1			SR-129	
			M-21-21	21x15		2.19			1				
30	4.451	Lt	M-51-66	66x36	16.50		12/12		1		2	BYPASS (Faces WB off ramp)	BUT-4-0.00/Var
												SOUTH 4 NORTH	
												← →	
31	4.463	Rt	M-37-24	24x12		2.00	13		1		1	NORTH	BUT-4-0.00/Var
			M-11-24	24x12		2.00			1			BYPASS	
			M-2-24-2	24x24		4.00			1			SR-4	
32	4.504	Lt										Do not disturb D-4	BUT-4-0.00/Var
33	4.516	Rt	R-10-24	24x30		5.00	13		1		1	55 MPH	
34	4.564	Rt	R-31 WW-36	66x30		13.75	12/12		1		2	LT/LT/TH/TH/RT	
35	4.584	Lt					12/13			1	2	Re-erect M-52A	BUT-4-0.00/Var
TOTALS CARRIED TO GENERAL SUMMARY													50 270

SIGN REPLACEMENT CONTRACT

BUTLER COUNTY - SR-4 BYPASS

REF. NO.	S.L.M.	SIDE	CODE	SIZE	SIGN EXTRUSHEET	SIGN, FLAT SHEET TYPE "G"	GROUND MOUNTED SUPPORTS NO. 3 POST	SIGN, DOUBLE FACED MILEMARKER, TYPE G	REMOVAL OF GROUND MOUNTED SIGN & DISPOSAL	REMOVAL OF GROUND MOUNTED SIGN & RE-ERECTION	REMOVAL OF GROUND MOUNTED POST SUPPORT & DISPOSAL	REMARKS	
				INCHES	SQ.FT.	SQ. FT.	LIN. FT.	EACH	EACH	EACH	EACH		Calculated _____ Checked _____
36	4.635	Lt	M-17-21	21x15		2.19	12		1		1	JCT	SUBSUMMARY
			M-2-24-3	30x24		5.00			1			129	
37	4.672	Lt	M-38-24	24x12		2.00	13		1		1	SOUTH	
			M-11-24	24x12		2.00			1			BYPASS	
			M-2-24-2	24x24		4.00			1			SR-4	
38	4.681	Lt	D-7-48	48x10	3.34		12/12		1		2	BUTLER COUNTY / PRINCETON RD.	BUT-4-0.00/Var
39	4.709	Rt	D-7-48	48x10	3.34		12/12		1		2	BUTLER COUNTY / PRINCETON RD.	
40	4.766	Lt	R-31M-48	48x30		10.00	13/13		1		2	LT/TH/RT	
41	4.798	Lt	R-32R-30	30x30		6.25	12		1		1	RIGHT LANE/MUST/TURN RIGHT	
42	4.799	Rt	W-60R-36	36x36		9.00	13		1		1	RIGHT LANE ENDS (Symbol)	
43	4.826	Lt							2		2	Remove D-1 signs	
44	4.931	Lt	W-47-36	36x36		9.00	13/13					Signal Ahead symbol	
45	4.969	Rt							1		1	Remove Mile Marker 5	
46	5.000	Rt	N-45-12	12x12			10	1				Mile Marker 5	
47	5.639	Rt	W-47-36	36x36		9.00	13/13		1		1	Signal Ahead symbol	
48	5.639	Lt	W-47-36	36x39		9.00	13/13		1		1	Signal Ahead symbol (Faces NB)	
49	5.692	Rt	M-17-21	21x15		2.15	12		1		1	JCT	
			M-2-24-2	24x24		4.00			1			4	
	TOTALS CARRIED TO GENERAL SUMMARY												51 270

US-27 RAMPS @ SR-128

SHEET NO	REF. NO.	LOCATION	REMARKS	SIDE	CODE	SIZE (INCHES)	REM.OVRHD MT SIGN&DISPOSAL	REM.GRND. MINTD. MAJOR SIGN&DISPOSAL	REM.GROUND MOUNTED SIGN & DISPOSAL	REM. GROUND MOUNTED BEAM SUPPORT & DISPOSAL	REM. GROUND MOUNTED POST SUPRT & DISPOSAL	SIGNING, MISC.REMOVAL OF SIGN SUPRT FOUNDATIONS	REMOVAL OF GROUND MOUNTED SIGN & RE-ERECTION	REMOVAL OF GROUND MOUNTED MAJOR SIGN & RE-ERECTION	REM.SN.SERV &DISP., APP	REMOVAL OF LUMIN & DISPOSAL	REM. BALLAST & DISPOSAL	REM. SIGN WIR'G	REM.STRUCTURE MTD SIGN&DISP	GRD.MINTD. BEAM SPT. W 8 X 18	Calculated	Checked
		NB EXIT RAMP					EACH	EACH	EACH	EACH	EACH	EACH	EACH	EACH	EACH	EACH	EACH	EACH	EACH	EACH		
	1	0.018	Use Existing Beams	Lt	GF72	72x60			1	2		2										
	2	0.018	New Location	Rt	W-47-36	36x36			1		1											
	3	0.046	Removal Only	Lt	W-47-36				1		1											
	4	0.057	Use Existing Beams	Rt	D-4B-48	108x48			1													
			EAST (On top of D-4B)		M-39-24	24x12			1													
			SR-126		M-2-24-3	30x24			1													
			←		M-24-21	21x15			1													
			SR-128 (On top of D-4B)		M-2-24-3	24x12			1													
			↔		M-25-24	21x15																
	5	0.080	Removal Only	Lt	W-47-36				1		1											
	6	0.105	Lane Use Rt/Lt	Rt	R-31F-36	36x30			1		2											
			on back of R-31F		R-41A-36	36x24			1													
	7	0.105	Lane Use Rt/Lt	Lt	R-31F-36	36x30			1		2											
			on back of R-31F		R-41A-36	36x24			1													
	8	0.146	Do Not Enter	Rt	R-41B-30	30x30			1		1											
			One Way		R-43L-36	36x12			1													
			One Way		R-43R-36	36x12			1													
	9	0.146	Do Not Enter	Lt	R-41B-30	30x30			1		1											
			One Way		R-43L-36	36x12			1													
			One Way		R-43R-36	36x12			1													
		NB ENTRANCE RAMP																				
	10	0.012	Yield		R-2-36	36x36			1		1											
	11	0.219	Yield (new location)		R-2-36	36x36																
	12	0.272	Yield (remove only)		R-2-36				1		1											
TOTALS CARRIED TO GENERAL SUMMARY																						

SUBSUMMARY

BUT-4-0.00/Var

53
270

US-27 RAMPS @ SR-128

SHEET NO	REF. NO.	LOCATION	REMARKS	SIDE	CODE	SIZE (INCHES)	SIGN, GRND MTD EXTRUSHEET	SIGN, FLAT SHEET TYPE G	GROUND MOUNTED SUPPORT, NO. 3 POST	ONE WAY SUPPORT, NO. 3 POST	GROUND MOUNTED BEAM SUPPORT S 4 X 7.7	GROUND MOUNTED BEAM SUPPORT W 10 X 12	GROUND MOUNTED BEAM SUPPORT W 10 X 22	GROUND MOUNTED BEAM SUPPORT FOUNDATION	BREAKAWAY BEAM CONN.	GROUND MOUNTED BEAM SUPPORT W 6 X 9	SIGN, OVERHEAD EXTRUSHEET	OVRD SIGN SUPT TYPE TC-12.30	RIGID OVERHD SIGN SUP. FONDA	SIGN ATACH ASSEMBLY		Calculated	Checked
		NB EXIT RAMP					SF	SF	FT	FT	FT	FT	FT	EACH	EACH	FT	SF	EACH	EACH	EACH			
	1	0.018	New Beams	Lt	GF72	72x60	30.00				14.47/14.83			2	2								
	2	0.018	New Location	Rt	W-47-36	36x36		9.00	12														
	3	0.046	Removal Only	Lt	W-47-36																		
	4	0.057	Use Existing Beams	Rt	D-4B-48	108x48	36.00																
			EAST (On top of D-4B)		M-39-24	24x12		2.00															
			SR-126		M-2-24-3	30x24		5.00															
			←		M-24-21	21x15		2.19															
			SR-128 (On top of D-4B)		M-2-24-3	24x12		5.00															
			↔		M-25-24	21x15		2.19															
	5	0.080	Removal Only	Lt	W-47-36																		
	6	0.105	Lane Use Rt/Lt	Rt	R-31F-36	36x30		7.50	12/12														
			on back of R-31F		R-41A-36	36x24		6.00															
	7	0.105	Lane Use Rt/Lt	Lt	R-31F-36	36x30		7.50	12/12														
			on back of R-31F		R-41A-36	36x24		6.00															
	8	0.146	Do Not Enter	Rt	R-41B-30	30x30		6.25	12/12														
			One Way		R-43L-36	36x12		3.00															
			One Way		R-43R-36	36x12		3.00															
	9	0.146	Do Not Enter	Lt	R-41B-30	30x30		6.25	12/12														
			One Way		R-43L-36	36x12		3.00															
			One Way		R-43R-36	36x12		3.00															
		NB ENTRANCE RAMP																					
	10	0.012	Yield		R-2-36	36x36		9.00	12														
	11	0.219	Yield (new location)		R-2-36	36x36		9.00	12														
	12	0.272	Yield (remove only)		R-2-36																		
TOTALS CARRIED TO GENERAL SUMMARY																							

SUBSUMMARY

BUT-4-0.00/Var

54
270

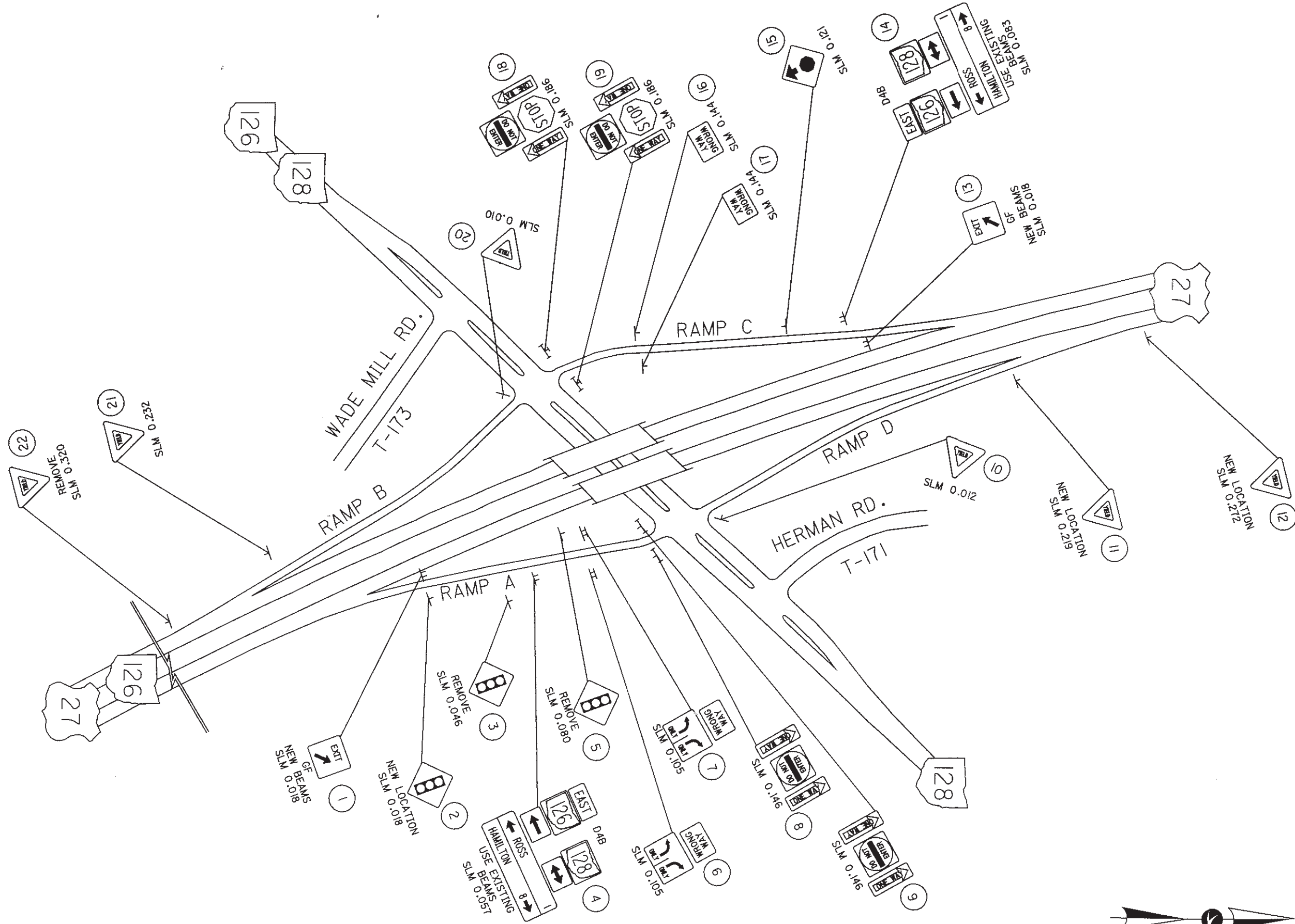
US-27 RAMPS @ SR-128

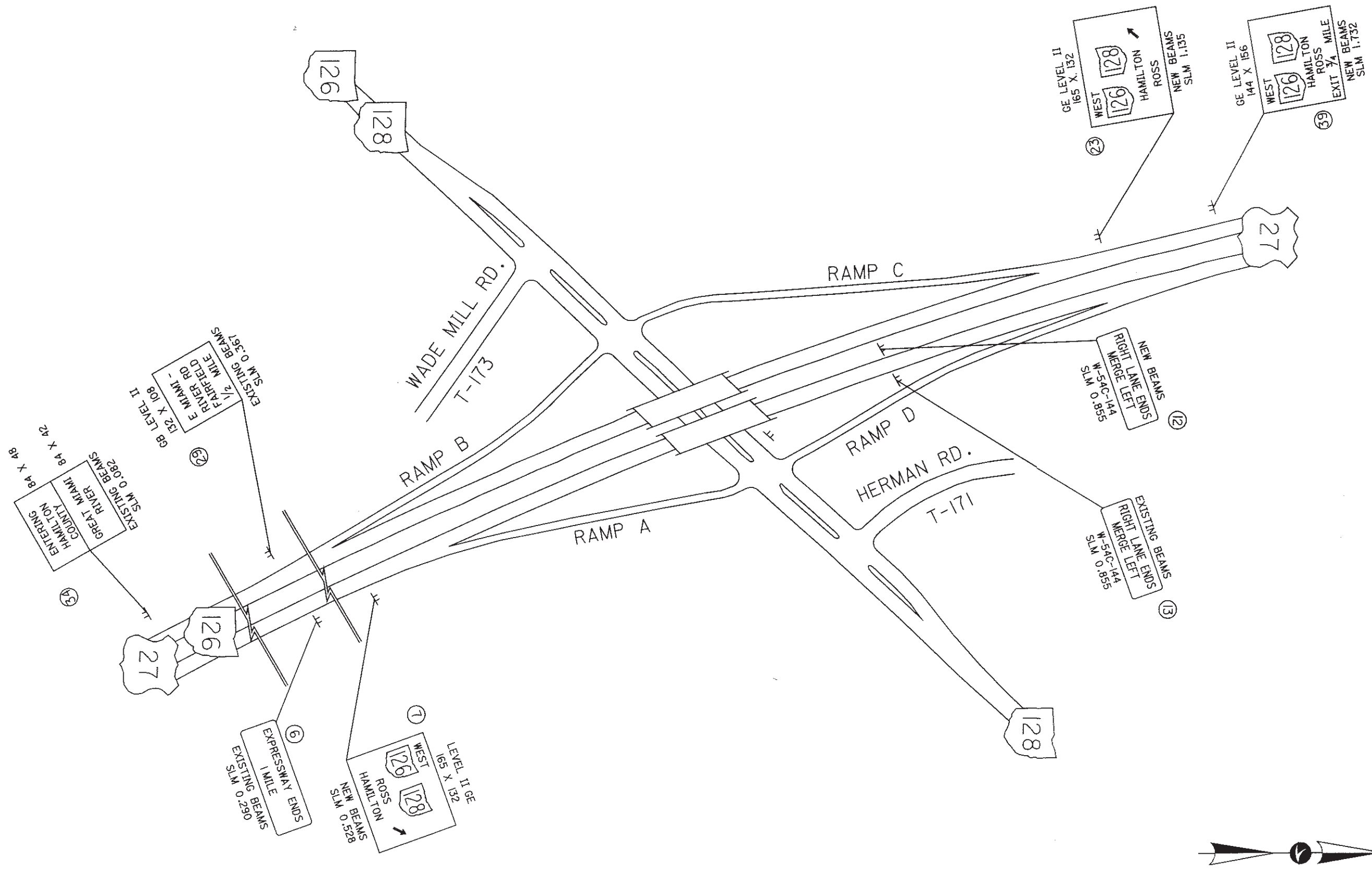
SHEET NO	REF. NO.	LOCATION	REMARKS	SIDE	CODE	SIZE (INCHES)	REM.OVRHD MT SIGN&DISPOSAL	REM.GRND. MNTD. MAJOR SIGN&DISPOSAL	REM.GROUND MOUNTED SIGN & DISPOSAL	REM. GROUND MOUNTED BEAM SUPPORT & DISPOSAL	REM. GROUND MOUNTED POST SUPRT & DISPOSAL	SIGNING, MISC.REMOVAL OF SIGN SUPRT FOUNDATIONS	REMOVAL OF GROUND MOUNTED SIGN & RE-ERECTION	REMOVAL OF GROUND MOUNTED MAJOR SIGN & RE-ERECTION	REM.SN.SERV &DISP., AAP	REMOVAL OF LUMIN & DISPOSAL	REM. BALLAST & DISPOSAL	REM. SIGN WIR'G	REM.STRUCTURE MTD SIGN&DISP	GRD.MNTD. BEAM SPT. W 8 X 18			
																						Calculated	Checked
		SB EXIT RAMP					EACH	EACH	EACH	EACH	EACH	EACH	EACH	EACH	EACH	EACH	EACH	EACH	EACH	EACH			
	13	0.018		Lt	GF-72	72x60			1	2		2											
	14	0.083	Use Existing Beams	Rt	D-4B-48	108x48			1														
			EAST (on top of D-4B)		M-39-24	24x12			1														
			SR-126		M-2-24-3	30x24			1														
			→		M-24-21	21x15			1														
			SR-128		M-2-24-3	30x20			1														
			↔		M-25-21	21x15			1														
	15	0.121	Stop Ahead	Rt	W-45A-36	36x36			1		1												
	16	0.144	Wrong Way	Rt	R-41A-36	36x24			1		1												
	17	0.144	Wrong Way	Lt	R-41A-36	36x24			1		1												
	18	0.186	STOP	Rt	R-1-36	36x36			1		2												
			One Way		R-43L-36	36x12			1														
			One Way		R-43R-36	36x12			1														
			Do Not Enter		R-41B-30	30x30			1														
	19	0.186	STOP	Lt	R-1-36	36x36			1		2												
			One Way		R-43L-36	36x12			1														
			One Way		R-43R-36	36x12			1														
			Do Not Enter		R-41B-30	30x30			1														
		SB ENTRANCE RAMP																					
	20	0.010	Yield		R-2-36	36x36			1		1												
	21	0.232	Yield (New location)		R-2-36	36x36																	
	22	0.320	Yield (Removal only)		R-2-36				1		1												
TOTALS CARRIED TO GENERAL SUMMARY									41	4	20	4											

SUBSUMMARY

BUT-4-0.00/Var

56
270





US 27 & SR 128 INTERCHANGE
US-27 MAINLINE

BUT -4-0.00

SHEET NO	REF. NO.	LOCATION	REMARKS	SIDE	CODE	SIZE (INCHES)	SIGN, GRND MTD EXTRUSHEET	SIGN, FLAT SHEET TYPE G	GROUND MOUNTED SUPPORT, NO. 3 POST	ONE WAY SUPPORT, NO. 3 POST	GROUND MOUNTED BEAM SUPPORT S 4 X 7.7	GROUND MOUNTED BEAM SUPPORT W 10 X 12	GROUND MOUNTED BEAM SUPPORT W 10 X 22	GROUND MOUNTED BEAM SUPPORT FOUNDATION	BREAKAWAY BEAM CONN.	GROUND MOUNTED BEAM SUPPORT W 6 X 9	SIGN, OVERHEAD EXTRUSHEET	OVRD SIGN SUPT TYPE TC-12.30	RIGID OVERHD SIGN SUP.FONDA	SIGN ATACH ASSEMBLY	SIGN DOUBLE FACED MILE MARKER, TYPE	Calculated	Checked																				
		BUTLER COUNTY US-27 Northbound 4 Lane Section					SF	SF	FT	FT	FT	FT	FT	EACH	EACH	FT	SF	EACH	EACH	EACH	EA.																						
	1	0.000	Install south side of bridge	Rt	N-45-12	12x12			9													1																					
	2	0.097	Emergency Stopping Only	Rt	R-70-48	48x36		12.00	12																																		
	3	0.149	Re-erect Adopt sign	Rt					12/12																																		
	4	0.199	No U turn - face north	Lt	R-123-36	36x36		9.00	12																																		
	5	0.199	Emergency Vehicles	Lt	R-19-24	24x30		5.00																																			
	6	0.290	Exp. Ends 1 Mile	Rt	W-55-144	144x48	48.00																																				
	7	0.528	Guide sign	Rt	GE	180x132	165.00						23.68/25.04	2	2																												
	8	0.697	See Ramp sign #1	Rt																																							
	9	0.714	Divided Hwy	Rt	W-86-48	48x48		16.00	12/12																																		
	10	0.794	Lane Reduction	Lt	W-60R-48	48x48		16.00	12/12																																		
	11	0.794	Lane Reduction	Rt	W-60R-48	48x48		16.00	12/12																																		
	12	0.855	Merge Left	Lt	W-54C-144	144x48	48.00							2	2	14.61/15.39																											
	13	0.855	Merge Left	Rt	W-54C-144	144x48	48.00																																				
	14	0.921	Merge	Rt	W-49R-48	48x48		16.00	14/14																																		
	15	0.955	Do Not Pass/Remove MM	Rt	R-33-24	24x30		5.00	13																																		
	16	1.000	Mile Marker 1	Rt	N-45-12	12x12			10													1																					
	17	1.050	Yield (new)	Rt	R-2-48	48x48		16.00	13/13																																		
	18	1.105	Remove Yield	Rt																																							
	19	1.162	Reverse Curve	Rt	W-6-30	30x30		6.25	12																																		
	20	1.222	Do Not Pass	Rt	R-33-24	24x30		5.00	12																																		
			US-27 Southbound																																								
			4 Lane Section																																								
	21	1.330	Speed 60/55	Rt	R-9B-36	36x72		18.00	17/17																																		
	22	1.328	Keep Right	Lt	R-38R-24	24x30		5.00	12																																		
	23	1.135	Exit Ramp sign	Rt	GE	180x132	165.00						23.35/24.36	2	2																												
TOTALS CARRIED TO GENERAL SUMMARY																																											

SUBSUMMARY

BUT-4-0.00/VAR

59
270

SHEET NO	REF. NO.	LOCATION	REMARKS	SIDE	CODE	SIZE (INCHES)	REM.OVRHD MT SIGN&DISPOSAL	REM.GRND. MNTD. MAJOR SIGN&DISPOSAL	REM.GROUND MOUNTED SIGN & DISPOSAL	REM.GRND. MNTD. BEAM SUPPORT & DISPOSAL	REM.GRND. MNTD. POST SUPRT & DISPOSAL	SIGNING, MISC.REMOVAL OF SIGN SUPRT FOUNDATIONS	REMOVAL OF GRND. MNTD. SIGN & RE-ERECTION	REMOVAL OF GRND. MNTD. MAJOR SIGN & RE-ERECTION	REMOVAL SIGN SERVICE & DISPOSAL.APP	REMOVAL OF LUMN & DISPOSAL	REM.BALLAST & DISPOSAL	REM.SIGN WIR'G	REM.STRUCTURE MTD SIGN&DISP	GRD.MNTD. BEAM SPT. W 8 X 18	Calculated	Checked	
							EACH	EACH	EACH	EACH	EACH	EACH	EACH	EACH	EACH	EACH	EACH	EACH	EACH	EACH			EACH
		BUTLER COUNTY US-27 Northbound 4 Lane Section																					
	1	0.000	Install south side of bridge	Rt	N-45-12	12x12																	
	2	0.097	Emergency Stopping Only	Rt	R-70-48	48x36			1		1												
	3	0.149	Re-erect Adopt sign	Rt									1										
	4	0.199	No U turn - face north	Lt	R-123-36	36x36			2		1												
	5	0.199	Emergency Vehicles	Lt	R-19-24	24x30																	
	6	0.290	Exp. Ends 1 Mile/Use existing beams	Rt	W-55-144	144x48		1															
	7	0.528	Guide sign	Rt	GE	180x132		1		2		2											
	8	0.697	See Ramp sign #1	Rt																			
	9	0.714	Divided Hwy	Rt	W-86-48	48x48			1		2												
	10	0.794	Lane Reduction	Lt	W-60R-48	48x48			1		2												
	11	0.794	Lane Reduction	Rt	W-60R-48	48x48			1		2												
	12	0.855	Merge Left	Lt	W-54C-144	144x48		1		2		2											
	13	0.855	Merge Left/Use existing beams	Rt	W-54C-144	144x48		1															
	14	0.921	Merge	Rt	W-49R-48	48x48			1		2												
	15	0.955	Do Not Pass/Remove MM	Rt	R-33-24	24x30			2		1												
	16	1.000	Mile Marker 1	Rt	N-45-12	12x12																	
	17	1.050	Yield (new)	Rt	R-2-48	48x48																	
	18	1.105	Remove Yield	Rt					1		2												
	19	1.162	Reverse Curve	Rt	W-6-30	30x30			1		1												
	20	1.222	Do Not Pass	Rt	R-33-24	24x30			1		1												
			US-27 Southbound																				
			4 Lane Section																				
	21	1.330	Speed 60/55	Rt	R-9B-36	36x72			2		1												
	22	1.328	Keep Right	Lt	R-38R-24	24x30			2		1												
	23	1.135	Exit Ramp sign	Rt	GE	180x132		1		2		2											
TOTALS CARRIED TO GENERAL SUMMARY																							

SUBSUMMARY

BUT-4-0.00/Var

60
270

SHEET NO	REF. NO.	LOCATION	REMARKS	SIDE	CODE	SIZE (INCHES)	SIGN, GRND MTD EXTRUSHEET	SIGN, FLAT SHEET TYPE G	GROUND MOUNTED SUPPORT, NO. 3 POST	ONE WAY SUPPORT, NO. 3 POST	GROUND MOUNTED BEAM SUPPORT S 4 X 7.7	GROUND MOUNTED BEAM SUPPORT W 10 X 12	GROUND MOUNTED BEAM SUPPORT W 10 X 22	GROUND MOUNTED BEAM SUPPORT FOUNDATION	BREAKAWAY BEAM CONN.	GROUND MOUNTED BEAM SUPPORT W 6 X 9	SIGN, OVERHEAD EXTRUSHEET	OVRD SIGN SUPT TYPE TC-12.30	RIGID OVERHD SIGN SUP.FONDA	SIGN ATACH ASSEMBLY	SIGN DOUBLE FACED MILE MARKER, TYPE	SUBSUMMARY																					
																						EA.	EA.																				
		BUTLER COUNTY US-27 Northbound 4 Lane Section					SF	SF	FT	FT	FT	FT	FT	EACH	EACH	FT	SF	EACH	EACH	EACH	EA.																						
	24	1.000	Mile Marker 1	Rt					9													1																					
	25	0.964	See Ramp sign #13																																								
	26	0.937	South (New)	Rt	M-38-24			2.00	12																																		
		0.937	US-27	Rt	M-1-24-2	24x12		4.00																																			
	27	0.708	Merge	Rt	W-49R-36	36x36		9.00	12/12																																		
	28	0.576	Yield (New)	Rt	R-2-36	36x36		9.00	12/12																																		
	29	0.367	Advance Exit sign	Rt	GB	132x108	99.00																																				
	30	0.218	Side road	Lt	R-26-30	36x36		9.00	12																																		
	31	0.218	Side road	Rt	R-26-30	36x36		9.00	12																																		
	32	0.203	No U turn (Faces SB)	Lt	R-123-36	36x36		9.00	12																																		
			Emergency Vehicles	Lt	R-19-24	24x30		5.00																																			
	33	0.111	Emergency Stopping Only	Rt	R-48-36	48x36		12.00	13/13																																		
	34	0.082	Entering Ham County/Use exist'g beam	Rt	GP	84x48	28.00																																				
			Great Miami River		GQ	84x42	24.50																																				
			BEGIN 2 LANE																																								
	35	1.345	2 Way Traffic	Rt	W-71-30	30x30		6.25	12																																		
	36	1.398	55 MPH	Rt	R-10-24	24x30		5.00	12																																		
	37	1.522	North	Rt	M-37-24	24x12		2.00	12																																		
		1.522	US-27	Rt	M-1-24-2	24x24		4.00																																			
	38	1.626	Divided Highway	Lt	W-85-48	48x48		16.00	13																																		
	39	1.732	Advance Exit sign	Lt	GB	144x156	156.00						25.97/25.14	2	2																												
	40	1.853	Cross road	Rt	W-24-30	30x30		6.25	12/12																																		
			Herman Rd.	Rt	D-8Y-36	36x8		2.00																																			
	41	1.876	55 MPH	Lt	R-10-24	24x30		5.00	12																																		
	42	1.945	Re-erect Adopt Hwy	Rt					12/12																																		
	43	1.945	Re-erect Adopt Hwy	Lt					12/12																																		
	44	1.952	Remove Mile Marker	Rt																																							
	45	2.000	Mile Marker 2	Rt	N-45-12	12x12			10													1																					
TOTALS CARRIED TO GENERAL SUMMARY																																											

SUBSUMMARY

BUT-4-0.00/V AR

61
270

SHEET NO	REF. NO.	LOCATION	REMARKS	SIDE	CODE	SIZE (INCHES)	REM.OVRHD MT	REM.GRND. MNTD.	REM.GROUND MOUNTED	REM.GRND. MNTD. BEAM	REM.GRND. MNTD.	SIGNING, MISC.REMOVAL OF	REMOVAL OF GRND. MNTD.	REMOVAL OF GRND. MNTD.	REMOVAL SIGN SERVICE	REMOVAL OF LUMN	REM. BALLAST	REM. SIGN	REM.STRUCTURE	GRD.MNTD.	Calculated	Checked	
							SIGN&DISPOSAL	MAJOR SIGN&DISPOSAL	SIGN & DISPOSAL	SUPPORT & DISPOSAL	POST SUPRT & DISPOSAL	SIGN SUPRT FOUNDATIONS	SIGN & RE-ERECTION	MAJOR SIGN & RE-ERECTION	& DISPOSAL APP	& DISPOSAL	& DISPOSAL	WIR'G	MTD SIGN&DISP	BEAM SPT. W 8 X 18			
		BUTLER COUNTY US-27 Northbound 4 Lane Section					EACH	EACH	EACH	EACH	EACH	EACH	EACH	EACH	EACH	EACH	EACH	EACH	EACH	EACH			
	24	1.000	Mile Marker 1	Rt																			
	25	0.964	See Ramp sign #13																				
	26	0.937	South (New)	Rt	M-38-24			3		1													
		0.937	US-27	Rt	M-1-24-2	24x12																	
	27	0.708	Merge	Rt	W-49R-36	36x36			1	1													
	28	0.576	Yield (New)	Rt	R-2-36	36x36																	
	29	0.367	Advance Exit sign/Use existing beams	Rt	GB	132x108		1															
	30	0.218	Side road	Lt	R-26-30	36x36			1	1													
	31	0.218	Side road	Rt	R-26-30	36x36			1	1													
	32	0.203	No U turn (Faces SB)	Lt	R-123-36	36x36			1	1													
			Emergency Vehicles	Lt	R-19-24	24x30																	
	33	0.111	Emergency Stopping Only	Rt	R-48-36	48x36			1	2													
	34	0.082	Entering Ham County/Useexist'g beam	Rt	GP	84x48			2														
			Great Miami River		GQ	84x42																	
			BEGIN 2 LANE																				
	35	1.345	2 Way Traffic	Rt	W-71-30	30x30			1	1													
	36	1.398	55 MPH	Rt	R-10-24	24x30			1	1													
	37	1.522	North	Rt	M-37-24	24x12			2	1													
		1.522	US-27	Rt	M-1-24-2	24x24																	
	38	1.626	Divided Highway	Lt	W-85-48	48x48			1	1													
	39	1.732	Advance Exit sign	Lt	GB	144x156		1		2		2											
	40	1.853	Cross road	Rt	W-24-30	30x30			1	2													
			Herman Rd.	Rt	D-8Y-36	36x8																	
	41	1.876	55 MPH	Lt	R-10-24	24x30			1	1													
	42	1.945	Re-erect Adopt Hwy	Rt						2			1										
	43	1.945	Re-erect Adopt Hwy	Lt						2			1										
	44	1.952	Remove Mile Marker	Rt					1	1													
	45	2.000	Mile Marker 2	Rt	N-45-12	12x12																	
TOTALS CARRIED TO GENERAL SUMMARY																							

SUBSUMMARY

BUT-4-0.00/Var

62
270

SIGN REPLACEMENT CONTRACT

BUTLER COUNTY - US-27

REF. NO.	S.L.M.	SIDE	CODE	SIZE	SIGN EXTRUSHEET	SIGN, FLAT SHEET TYPE "G"	GROUND MOUNTED SUPPORTS NO. 3 POST	SIGN, DOUBLE FACED MILEMARKER, TYPE G	REMOVAL OF GROUND MOUNTED SIGN & DISPOSAL	REMOVAL OF GROUND MOUNTED SIGN&RE-ERECTION	REMOVAL OF GROUND MOUNTED POST SUPPORT & DISPOSAL	REMARKS	
				INCHES	SQ.FT.	SQ. FT.	LIN. FT.	EACH	EACH	EACH	EACH		Calculated Checked
46	2.011	Lt	M-38-24	24x12		2.00	12		2		1	SOUTH	SUBSUMMARY
			M-1-24-2	24x24		4.00						US-27	
47	2.043	Rt	R-1-30	30x30		6.25	12		1		1	STOP At Herman Road	SUBSUMMARY
			R-1-30	30x30		6.25	12		1		1	STOP At Herman Road	
48	2.043	Lt	R-1-30	30x30		6.25	12		1		1	STOP At Herman Road	SUBSUMMARY
		Lt	R-1-30	30x30		6.25	12		1		1	STOP Re-erect road name	
49	2.059	Rt	M-37-24	24x12		2.00	13		2		1	NORTH	SUBSUMMARY
		Rt	M-1-24-2	24x24		4.00						US-27	
50	2.231	Lt	W-24-30	30x30		6.25	12/12		1		2	Cross road	BUT-4-0.00/Var
			D-8Y-36	36x8		2.00						HERMAN RD	
51	2.713	Lt							1		1	55 MPH - Remove	BUT-4-0.00/Var
52	2.713	Rt	W-26-30	30x30		6.25	12/12		1		2	Side road	
			D-8Y-42	42x8		2.30						ROSS MILLVILLE RD	BUT-4-0.00/Var
53	2.844	Lt							2		1	Remove South US-27	
54	2.880	Rt							1		1	Remove Mile 3	BUT-4-0.00/Var
55	2.907	Rt	R-1-30	30x30		6.25	12		1		1	STOP At Ross Millville Road	
			R-1-30	30x30		6.25	12		1		1	STOP At Ross Millville Road	BUT-4-0.00/Var
56	2.907	Lt	W-30-48	48x24		8.00	12/12		1		2	Faces Ross Millville Road	
													BUT-4-0.00/Var
	TOTALS CARRIED TO GENERAL SUMMARY												63 270

SIGN REPLACEMENT CONTRACT

BUTLER COUNTY - US-27

REF. NO.	S.L.M.	SIDE	CODE	SIZE	SIGN EXTRUSHEET	SIGN, FLAT SHEET TYPE "G"	GROUND MOUNTED SUPPORTS NO. 3 POST	SIGN, DOUBLE FACED MILEMARKER, TYPE G	REMOVAL OF GROUND MOUNTED SIGN & DISPOSAL	REMOVAL OF GROUND MOUNTED SIGN&RE-ERECTION	REMOVAL OF GROUND MOUNTED POST SUPPORT & DISPOSAL	REMARKS	
				INCHES	SQ.FT.	SQ. FT.	LIN. FT.	EACH	EACH	EACH	EACH		Calculated Checked
57	2.933	Rt							2		1	Remove North US-27	SUBSUMMARY
58	2.999	Rt	R-10-24	24x30		5.00	12		1		1	55 MPH	
59	3.000	Rt	W-45-12	12x12			9	1				3 Mile Marker	
60	3.088	Lt	W-26-30	30x30		6.25	12/12		2		2	Side road	
			D-8Y-42	42x8		2.30						ROSS MILLVILLE RD	
61	3.145	Rt	W-26-30	30x30		6.25	12		1		1	Side road	
62	3.247	Lt	R-1-30	30x30		6.25	12		1	1	1	BOHNE RD - re-erect road name	
63	3.438	Rt	W-76D-30	30x30		6.25	12		1		1	Deer Crossing	
64	3.671	Lt	W-24-30	30x30		6.25	12		1		1	Cross road - faces northbound	
65	3.671	Rt	W-24-30	30x30		6.25	12		1		1	Cross road	
			D-8Y-36	36x8		2.00			1			NEW LONDON RD	BUT-4-0.00/Var
66	3.706	Rt	R-33-24	24x30		5.00	12		1		1	DO NOT PASS	
67	3.776	Lt	M-38-24	24x12		2.00	12		1		1	SOUTH	
			M-1-24-2	24x24		4.00			1			US-27	
68	3.806	Lt	R-1-30	30x30		6.25	12		1		1	STOP @ New London Rd	
			R-1-30	30x30		6.25	12		1		1	STOP @ New London Rd	
69	3.801	Rt	R-1-30	30x30		6.25	12		1		1	STOP @ New London Rd	
70	3.871	Rt	M-37-24	24x12		2.00	12		1		1	NORTH	
			M-1-24-2	24x24		4.00						US-27	
	TOTALS CARRIED TO GENERAL SUMMARY												64 270

SIGN REPLACEMENT CONTRACT

BUTLER COUNTY - US-27

REF. NO.	S.L.M.	SIDE	CODE	SIZE	SIGN EXTRUSHEET	SIGN, FLAT SHEET TYPE "G"	GROUND MOUNTED SUPPORTS NO. 3 POST	SIGN, DOUBLE FACED MILEMARKER, TYPE G	REMOVAL OF GROUND MOUNTED SIGN & DISPOSAL	REMOVAL OF GROUND MOUNTED SIGN & RE-ERECTION	REMOVAL OF GROUND MOUNTED POST SUPPORT & DISPOSAL	REMARKS	Calculated	Checked
				INCHES	SQ.FT.	SQ. FT.	LIN. FT.	EACH	EACH	EACH	EACH			
71	3.890	Lt	R-33-24	24x30		5.00	12		1		1	DO NOT PASS		
72	3.926	Rt	R-33-24	24x30		5.00	12		1		1	DO NOT PASS		
73	3.985	Lt					12/12			2	2	Signs back to back		
74	3.985	Rt							1		1	Remove Route Marker		
75	4.000	Rt	W-45-12	12x12			9	1				Mile Marker 4		
76	4.009	Rt	W-1-30	30x30		6.25	12		1		1	Curve sign		
77	4.039	Lt	W-24-30	30x30		6.25	12		1		1	Cross road sign		
			D-8Y-36	36x8		2.00			1			NEW LONDON RD		
78	4.140	Rt	W-26-30	30x30		6.25	12		1		1	Side road sign		
			D-8Y-36	36x8		2.00			1			KIRCHLING RD		
79	4.268	Rt	R-31Q-36	36x36		9.00	12		1		1	LEFT/THRU		
80	4.324	Rt	R-31Q-36	36x36		9.00	12		1		1	LEFT/THRU		
81	4.331	Lt	R-1-30	30x30		6.25	12		1		1	STOP @ Kirchling Rd		
82	4.439	Lt	W-26-30	30x30		6.25	12		1		1	Side road		
			D-8Y-36	30x30		2.00						KIRCHLING RD		
83	4.648	Lt	W-70D-30	30x30		6.25	12		1		1	Deer Crossing		
84	4.967	Rt							1		1	Remove Mile Marker 5		
85	5.000	Rt	W-45-12	12x12			9	1				Mile Marker 5		
	TOTALS CARRIED TO GENERAL SUMMARY												65	270

SUBSUMMARY

BUT-4-0.00/Var

Calculated
Checked

SIGN REPLACEMENT CONTRACT

BUTLER COUNTY - US-27

REF. NO.	S.L.M.	SIDE	CODE	SIZE	SIGN EXTRUSHEET	SIGN, FLAT SHEET TYPE "G"	GROUND MOUNTED SUPPORTS NO. 3 POST	SIGN, DOUBLE FACED MILEMARKER, TYPE G	REMOVAL OF GROUND MOUNTED SIGN & DISPOSAL	REMOVAL OF GROUND MOUNTED SIGN&RE-ERECTION	REMOVAL OF GROUND MOUNTED POST SUPPORT & DISPOSAL	REMARKS	
				INCHES	SQ.FT.	SQ. FT.	LIN. FT.	EACH	EACH	EACH	EACH		Calculated Checked
86	5.552	Rt	R-11B-24	24x30		5.00	12		1		1	REDUCE SPEED AHEAD	SUBSUMMARY
87	5.571	Lt	R-10-24	24x30		5.00	12		1		1	55 MPH	
88	5.601	Lt					12/12			1	1	Re-erect Adopt A Hwy sign	
89	5.609	Rt										Millville Corp sign - Do not disturb	
	BEGIN 6.901											Millville North Corp	
90	6.908	Lt	R-1-30	30x30		6.25	12		1		1	STOP - Millville Oxford Rd	
91	6.930	Lt	W-32-48	48x24		8.00	12/12		1		2	Night arrow	
92	6.941	Rt	M-37-24	24x12		2.00	13		1		1	NORTH	
		Rt	M-1-24-2	24x24		4.00			1			US-27	
93	7.000	Rt	W-45-12	12x12			9	1				Mile Marker 7	
94	7.012	Rt	W-2-30	30x30		6.25	12		2		1	Curve sign - faces southbound	
			W-143-18	18x18		2.25			1			35 MPH - remove mile marker	
95	7.012	Lt	W-2-30	30x30		6.25	13		1		1	Curve sign	
			W-143-18	18x18		2.25			1			35 MPH	
96	7.076	Lt	W-26B-30	30x30		6.25	13		1		1	Side road	
97	7.110	Lt	R-11B-24	24x30		5.00	13		1		1	REDUCE SPEED AHEAD	
98	7.143	Rt	W-79-30	30x30		6.25	13		1		1	SCHOOL BUS STOP AHEAD	
99	7.158	Rt					12/12			1	2	Re-erect Adopt A Hwy	
	TOTALS CARRIED TO GENERAL SUMMARY												66 270

SIGN REPLACEMENT CONTRACT

BUTLER COUNTY - US-27

REF. NO.	S.L.M.	SIDE	CODE	SIZE	SIGN EXTRUSHEET	SIGN, FLAT SHEET TYPE "G"	GROUND MOUNTED SUPPORTS NO. 3 POST	SIGN, DOUBLE FACED MILEMARKER, TYPE G	REMOVAL OF GROUND MOUNTED SIGN & DISPOSAL	REMOVAL OF GROUND MOUNTED SIGN&RE-ERECTION	REMOVAL OF GROUND MOUNTED POST SUPPORT & DISPOSAL	REMARKS	Calculated	Checked
				INCHES	SQ.FT.	SQ. FT.	LIN. FT.	EACH	EACH	EACH	EACH			
100	7.177	Lt	R-10-24	24x30		5.00	13		1		1	45 MPH		
101	7.177	Rt	R-10-24	24x30		5.00	13		1		1	45 MPH		
102	7.302	Lt	W-2-30	30x30		6.25	13		1		1	Curve sign		
		Lt	W-143-18	18x18		2.25			1			35 MPH		
103	7.302	Rt	W-2-30	30x30		6.25	13		1		1	Curve sign		
		Rt	W-143-18	18x18		2.25			1			35 MPH		
104	7.489	Rt	W-26-30	30x30		6.25	12		1		1	Side road		
105	7.543	Rt	W-1-30	30x30		6.25	13		1		1	Curve sign - faces southbound		
		Rt	W-143-18	18x18		2.25			1			30 MPH		
106	7.543	Lt	W-1-30	30x30		6.25	13		1		1	Curve sign		
		Lt	W-143-18	18x18		2.25			1			30 MPH		
107	7.553	Lt	M-38-24	24x12		2.00	12		1		1	SOUTH		
		Lt	M-1-24-2	24x24		4.00			1			US-27		
108	7.588	Rt	R-1-30	30x30		6.25	12		1		1	STOP		
109	7.620	Rt	M-37-24	24x12		2.00	12		1		1	NORTH		
		Rt	M-1-24-2	24x24		4.00			1			US-27		
110	7.747	Lt	W-26-30	30x30		6.25	12		1		1	Side road		
111	7.867	Rt	R-10-24	24x30		5.00	12		1		1	45 MPH		
	TOTALS CARRIED TO GENERAL SUMMARY													

SUBSUMMARY

BUT-4-0.00/Var

 67
270

SIGN REPLACEMENT CONTRACT

BUTLER COUNTY - US-27

REF. NO.	S.L.M.	SIDE	CODE	SIZE	SIGN EXTRUSHEET	SIGN, FLAT SHEET TYPE "G"	GROUND MOUNTED SUPPORTS NO. 3 POST	SIGN, DOUBLE FACED MILEMARKER, TYPE G	REMOVAL OF GROUND MOUNTED SIGN & DISPOSAL	REMOVAL OF GROUND MOUNTED SIGN&RE-ERECTION	REMOVAL OF GROUND MOUNTED POST SUPPORT & DISPOSAL	REMARKS	Calculated Checked	
													INCHES	SQ.FT.
112	7.867	Lt	R-10-24	24x30		5.00	12		1		1	45 MPH	SUBSUMMARY	
113	7.913	Rt	W-26-30	30x30		6.25	12		1		1	Side road		
114	7.955	Rt	W-1-30	30x30		6.25	12		1		1	Curve sign		
		Rt	W-143-18	18x18		2.25			1			40 MPH		
115	7.955	Lt	W-1-30	30x30		6.25	12		1		1	Curve sign - faces southbound		
		Lt	W-143-18	18x18		2.25			1			40 MPH		
116	7.993	Rt	W-45-12	12x12			9	1	1		1	Mile Marker 8		
117	8.055	Lt							2		1	Remove route markers		
118	8.057	Rt	W-80-30	30x30		6.25	12		1		1	SCHOOL BUS TURN		
119	8.091	Lt	R-1-30	30x30		6.25	12		1		1	STOP		
120	8.111	Rt							2		1	Remove route markers	BUT-4-0.00/Var	
	EQUATION 8.18 = 8.20													
	ADJUST ODOMETER													
121	8.268	Lt	W-2-30	30x30		6.25	12		1		1	Curve sign		
122	8.296	Rt	R-33-24	24x30		5.00	12		1		1	DO NOT PASS		
123	8.307	Lt	R-33-24	24x30		5.00	12		1		1	DO NOT PASS		
124	8.347	Lt	W-26-30	30x30		6.25	12		1		1	Side Road		
125	8.470	Lt	R-34-24	24x30		5.00	12		1		1	PASS WITH CARE		
126	8.520	Lt	W-80-30	30x30		6.25	12		1		1	SCHOOL BUS TURN		
	TOTALS CARRIED TO GENERAL SUMMARY													68 276

SIGN REPLACEMENT CONTRACT

BUTLER COUNTY - US-27

REF. NO.	S.L.M.	SIDE	CODE	SIZE	SIGN EXTRUSHEET	SIGN, FLAT SHEET TYPE "G"	GROUND MOUNTED SUPPORTS NO. 3 POST	SIGN, DOUBLE FACED MILEMARKER, TYPE G	REMOVAL OF GROUND MOUNTED SIGN & DISPOSAL	REMOVAL OF GROUND MOUNTED SIGN & RE-ERECTION	REMOVAL OF GROUND MOUNTED POST SUPPORT & DISPOSAL	REMARKS	Calculated Checked	
													INCHES	SQ.FT.
127	8.626	Rt	W-24-30	30x30		6.25	13		1		1	Cross road		
		Rt	D-8Y-36	36x8		2.00			1			STAHLHEBER RD		
128	8.662	Lt	R-10-24	24x30		5.00	12		1		1	45 MPH		
129	8.701	Lt	M-38-24	24x12		2.00	12		1		1	SOUTH		
		Lt	M-1-24-2	24x24		4.00			1			US-27		
130	8.724	Rt	R-1-30	30x30		6.25	12		1		1	STOP At Stahlheber Rd		
		Rt	R-1-30	30x30		6.25	12		1		1	STOP At Stahlheber Rd		
131	8.724	Lt	R-1-30	30x30		6.25	12		1		1	STOP At Stahlheber Rd		
		Lt	R-1-30	30x30		6.25	12		1		1	STOP At Stahlheber Rd		
132	8.736	Rt	R-34-24	24x30		5.00	12		1		1	PASS WITH CARE		
133	8.797	Rt	M-37-24	24x12		2.00	12		1		1	NORTH		
		Rt	M-1-24-2	24x24		4.00			1			US-27		
134	8.809	Lt	W-24-30	30x30		6.25	12		1		1	Cross road		
		Lt	D-8Y-36	36x8		2.00			1			STAHLHEBER RD		
135	8.914	Lt	R-33-24	24x30		5.00	12		1		1	DO NOT PASS		
136	8.973	Lt					12/12			1	2	Adopt A Hwy		
137	9.000	Rt	W-45-12	12x12			9	1	1		1	Mile Marker 9		
138	9.096	Rt	R-10-24	24x30		5.00	12		1		1	45 MPH		
	TOTALS CARRIED TO GENERAL SUMMARY												69 270	

SIGN REPLACEMENT CONTRACT

BUTLER COUNTY - US-27

REF. NO.	S.L.M.	SIDE	CODE	SIZE	SIGN EXTRUSHEET	SIGN, FLAT SHEET TYPE "G"	GROUND MOUNTED SUPPORTS NO. 3 POST	SIGN, DOUBLE FACED MILEMARKER, TYPE G	REMOVAL OF GROUND MOUNTED SIGN & DISPOSAL	REMOVAL OF GROUND MOUNTED SIGN&RE-ERECTION	REMOVAL OF GROUND MOUNTED POST SUPPORT & DISPOSAL	REMARKS	Calculated	Checked
				INCHES	SQ.FT.	SQ. FT.	LIN. FT.	EACH	EACH	EACH	EACH			
139	9.134	Lt	R-10-24	24x30		5.00	12		1		1	45 MPH		
140	9.134	Rt	W-26-30	30x30		6.25	12		1		1	Side road		
141	9.179	Rt	R-33-24	24x30		5.00	12		1		1	DO NOT PASS		
142	9.222	Lt							2		1	Remove route markers		
143	9.239	Lt	R-1-30	30x30		6.25	13		1	1	1	STOP Re-erect street name		
144	9.262	Rt							2		1	Remove route markers		
145	9.355	Lt	W-26-30	30x30		6.25	12		1		1	Side road		
146	9.444	Rt	R-10-24	24x30		5.00	12		1		1	45 MPH		
147	9.444	Lt	R-10-24	24x30		5.00	12		1		1	45 MPH		
148	9.784	Lt	R-10-24	24x30		5.00	12		1		1	45 MPH		
149	9.784	Rt	R-10-24	24x30		5.00	12		1		1	45 MPH		
150	10.005	Rt	W-45-12	12x12			10	1	1		1	Mile Marker 10		
151	10.143	Rt	R-10-24	24x30		5.00	12		1		1	45 MPH		
152	10.173	Lt	R-10-24	24x30		5.00	12		1		1	45 MPH		
153	10.179	Rt	W-26-30	30x30		6.25	12		1		1	Side road		
		Rt	D-8Y-36	36x8		2.00			1			STILLWELL RD		
154	10.255	Lt							2		1	Remove route markers		
155	10.266	Lt	R-1-30	30x30		6.25	12		1		1	STOP		
	TOTALS CARRIED TO GENERAL SUMMARY												70	270

SUBSUMMARY

BUT-4-0-00/Var

70
270

SIGN REPLACEMENT CONTRACT

BUTLER COUNTY - US-27

REF. NO.	S.L.M.	SIDE	CODE	SIZE	SIGN EXTRUSHEET	SIGN, FLAT SHEET TYPE "G"	GROUND MOUNTED SUPPORTS NO. 3 POST	SIGN, DOUBLE FACED MILEMARKER, TYPE G	REMOVAL OF GROUND MOUNTED SIGN & DISPOSAL	REMOVAL OF GROUND MOUNTED SIGN&RE-ERECTION	REMOVAL OF GROUND MOUNTED POST SUPPORT & DISPOSAL	REMARKS	Calculated	Checked	
				INCHES	SQ.FT.	SQ. FT.	LIN. FT.	EACH	EACH	EACH	EACH				
156	10.303	Rt	W-47-36	36x36		9.00	12		1		1	SIGNAL AHEAD			
157	10.314	Rt							2		1	Remove route markers			
158	10.346	Rt	M-17-24	24x12		2.00	12		1		1	JCT			
		Rt	M-2-24-3	30x24		5.00			1			SR-130			
159	10.372	Rt	W-79-30	30x30		6.25	12		1		1	SCHOOL BUS STOP			
160	10.416	Lt	W-26-30	30x30		6.25	12		1		1	Side road			
	ALL SIGNS WITHIN CORP.														
	LIMITS OF McGONIGLE														
	SHALL BE MOUNTED AT 7'HT														
161	10.418	Rt	N-1B-40	40x20		5.53	13/13		1		2	McGONIGLE			
162	10.433	Rt	D-1G-72	72x12	6.00		12/12		1		2	HAMILTON 8 →			
163	10.437	Lt	R-10-24	24x30		5.00	13		1		1	45 MPH			
164	10.481	Lt	M-38-24	24x12		2.00	14		1		1	SOUTH			
		Lt	M-2-24-2	24x24		4.00			1			US-27			
165	10.505	Lt	M-50-66	66x24	11.00		14/14		5		2	← SOUTH 27 NORTH → Faces SR-130			
166	10.524	Lt	M-2-24-3	30x24		5.00	14/14		4		2	SR-130			
		Lt	M-24-21	21x15		2.19						←			
		Lt	M-2-24-2	24x24		4.00						US-27			
		Lt	M-26-21	21x15		2.19						↑			
	TOTALS CARRIED TO GENERAL SUMMARY														

SUBSUMMARY

BUT-4-0.00/Var

 71
270

SIGN REPLACEMENT CONTRACT

BUTLER COUNTY - US-27

REF. NO.	S.L.M.	SIDE	CODE	SIZE	SIGN EXTRUSHEET	SIGN, FLAT SHEET TYPE "G"	GROUND MOUNTED SUPPORTS NO. 3 POST	SIGN, DOUBLE FACED MILEMARKER, TYPE G	REMOVAL OF GROUND MOUNTED SIGN & DISPOSAL	REMOVAL OF GROUND MOUNTED SIGN&RE-ERECTION	REMOVAL OF GROUND MOUNTED POST SUPPORT & DISPOSAL	REMARKS	
				INCHES	SQ.FT.	SQ. FT.	LIN. FT.	EACH	EACH	EACH	EACH		Calculated Checked
167	10.524	Rt	W-26-30	30x30		6.25	15		2		1	Side road	SUBSUMMARY
			D-8Y-36	36x8		2.00						HUSSEY RD	
168	10.549	Rt	R-31Q-30	30x30		6.25	14		1		1	Lane Use sign	
169	10.549	Lt	R-31Q-30	30x30		6.25	14		1		1	Lane Use sign	
170	10.564	Lt	R-1-30	30x30		6.25	12		1		1	STOP Mount at 5' height	
171	10.581	Rt	M-37-24	24x12		2.00	14		1		1	NORTH	
		Rt	M-1-24-2	24x24		4.00			1			US-27	
172	10.585	Lt	D-1G-72	72x12	6.00		12/13		1		2	← HAMILTON 8	
173	10.594	Rt	R-10-24	24x30		5.00	13		1		1	40 MPH	
174	10.614	Lt	M-17-24	24x12		2.00	14		1		1	JCT	
		Lt	M-2-24-3	30x24		5.00						SR-130	BUT-4-0.00/Var
175	10.659	Rt	R-48-36	36x48		12.00	15/15		1		1	2 Way Left Turn	
176	10.659	Lt	W-47-36	36x36		9.00	15		1		1	SIGNAL AHEAD	
177	10.708	Lt	W-24-30	30x30		6.25	15		1		1	Side road	
		Lt	D-8Y-36	36x8		2.00			1			HUSSEY RD	
178	10.754	Rt	R-48-36	36x48		12.00	15/15		1		1	2 Way Left Turn	
179	10.754	Lt	R-48-36	36x48		12.00	15/15		1		1	2 Way Left Turn	
180	10.793	Lt	R-10-24	24x30		5.00	13		1		1	40 MPH	
	TOTALS CARRIED TO GENERAL SUMMARY												72 270

SIGN REPLACEMENT CONTRACT

BUTLER COUNTY - US-27

REF. NO.	S.L.M.	SIDE	CODE	SIZE	SIGN EXTRUSHEET	SIGN, FLAT SHEET TYPE "G"	GROUND MOUNTED SUPPORTS NO. 3 POST	SIGN, DOUBLE FACED MILEMARKER, TYPE G	REMOVAL OF GROUND MOUNTED SIGN & DISPOSAL	REMOVAL OF GROUND MOUNTED SIGN&RE-ERECTION	REMOVAL OF GROUND MOUNTED POST SUPPORT & DISPOSAL	REMARKS	Calculated	Checked
				INCHES	SQ.FT.	SQ. FT.	LIN. FT.	EACH	EACH	EACH	EACH			
181	10.868	Rt	R-10-24	24x30		5.00	13		1		1	40 MPH	SUBSUMMARY	
182	10.883	Lt	N-1B-40	40x20		5.56	13/13		1		2	McGONIGLE		
183	10.897	Rt	R-48-36	36x48		6.00	15/15		1		1	2 Way Left Turn		
184	10.911	Lt	R-48-36	36x48		6.00	15/15		1		1	2 Way Left Turn		
185	10.953	Rt	W-47-36	36x36		9.00	15/15		2		1	SIGNAL AHEAD		
		Rt	D-8Y-14	36x14		3.50						STILLWELL BECKETT RD		
186	10.988	Rt					14/14		1	1	1	Re-erect Adopt A Hwy sign - remove milemarker		
187	11.000	Rt	W-45-12	12x12			10	1				Mile Marker 11		
188	11.009	Rt	R-48-36	40x20		6.00	15/15		1		1	2 Way Left Turn		
189	11.009	Lt	R-48-36	40x20		6.00	15/15		1		1	2 Way Left Turn		
190	11.046	Lt	R-10-24	24x30		5.00	14		1		1	40 MPH	BUT-4-0.00/Var	
191	11.078	Lt	M-38-24	24x12		2.00	14		1		1	SOUTH		
		Lt	M-1-24-2	24x24		4.00			1			US-27		
192	11.099	Lt							1		2	Remove Stillwell Beckett sign		
193	11.099	Rt							1		2	Remove Stillwell Beckett sign		
194	11.137	Rt	M-37-24	24x12		2.00	14		1		1	NORTH		
		Rt	M-1-24-2	24x24		4.00						US-27		
195	11.153	Lt	R-31A-36	36x30		7.50	14/14		1		2	Lane Use		
	TOTALS CARRIED TO GENERAL SUMMARY												73	270

SIGN REPLACEMENT CONTRACT

BUTLER COUNTY - US-27

REF. NO.	S.L.M.	SIDE	CODE	SIZE	SIGN EXTRUSHEET	SIGN, FLAT SHEET TYPE "G"	GROUND MOUNTED SUPPORTS NO. 3 POST	SIGN, DOUBLE FACED MILEMARKER, TYPE G	REMOVAL OF GROUND MOUNTED SIGN & DISPOSAL	REMOVAL OF GROUND MOUNTED SIGN&RE-ERECTION	REMOVAL OF GROUND MOUNTED POST SUPPORT & DISPOSAL	REMARKS	Calculated	Checked
				INCHES	SQ.FT.	SQ. FT.	LIN. FT.	EACH	EACH	EACH	EACH			
196	11.184	Rt	R-10-24	24x30		5.00	14		1		1	45 MPH		
197	11.184	Lt	R-10-24	24x30		5.00	14		1		1	40 MPH		
198	11.252	Lt	W-47-36	36x36					2		1	SIGNAL AHEAD		
		Lt	D-8Y-36	36x14		3.50	15					STILLWELL BECKETT RD		
	END 7' SIGN HEIGHT													
199	11.431	Lt	R-11B-24	24x30		5.00	12		1		1	REDUCED SPEED AHEAD		
200	11.436	Rt	W-2-30	30x30		6.25	12		1		1	Curve sign		
201	11.530	Rt	R-10-24	24x30		5.00	12		1		1	45 MPH		
202	11.550	Rt	R-10-24	24x30		5.00	12		1		1	45 MPH		
203	11.640	Lt	W-1-30	30x30		6.25	12		1		1	Curve sign		
204	11.827	Rt	W-26-30	30x30		6.25	12		1		1	Side road		
205	11.931	Rt	R-10-24	24x30		5.00	12		1		1	45 MPH		
206	11.931	Lt	R-10-24	24x30		5.00	12		1		1	45 MPH		
207	11.980	Lt							2		1	Remove route marker		
208	11.985	Rt							1		1	Remove Mile Marker 12		
209	11.990	Lt	R-1-30	30x30		6.25	12		1		1	STOP Stephenson Road		
	TOTALS CARRIED TO GENERAL SUMMARY												74	270

SUBSUMMARY

BUT-4-0.00/Var

74
270

SIGN REPLACEMENT CONTRACT

BUTLER COUNTY - US-27

REF. NO.	S.L.M.	SIDE	CODE	SIZE	SIGN EXTRUSHEET	SIGN, FLAT SHEET TYPE "G"	GROUND MOUNTED SUPPORTS NO. 3 POST	SIGN, DOUBLE FACED MILEMARKER, TYPE G	REMOVAL OF GROUND MOUNTED SIGN & DISPOSAL	REMOVAL OF GROUND MOUNTED SIGN&RE-ERECTION	REMOVAL OF GROUND MOUNTED POST SUPPORT & DISPOSAL	REMARKS	
				INCHES	SQ.FT.	SQ. FT.	LIN. FT.	EACH	EACH	EACH	EACH		Calculated Checked
210	12.003	Rt	R-45-12	12x12			10	1				Mile Marker 12	SUBSUMMARY
211	12.003	Rt							2		1	Remove route marker	
212	12.118	Lt	W-24-30	30x30		6.25	12		1		1	Cross road	
213	12.161	Lt	R-10-24	24x30		5.00	12		1		1	45 MPH	
214	12.161	Rt	R-10-24	24x30		5.00	12		1		1	45 MPH	
215	12.189	Rt	W-82-30	30x30		6.25	13		2	1	1	Re-erect Drug sign	
			W-78-30	30x10		2.18						SCHOOL	
216	12.451	Rt					12/12			1	2	Re-erect Adopt A Hwy	
217	12.498	Rt	W-80-30	30x30		6.25	13		1		1	SCHOOL BUS TURN	
218	12.514	Lt	N-1A-40	40x20		5.56	12/12		1		2	HANOVER TOWNSHIP LIMIT	
219	12.544	Lt	W-82-30	30x30		6.25	12		2	1	1	Re-erect Drug sign	
			W-78-30	30x10		2.18						SCHOOL	
220	12.564	Rt	W-24-30	30x30		6.25	13		1		1	Cross road	
221	12.597	Lt	R-10-24	24x30		5.00	12		1		1	45 MPH	
222	12.654	Lt	M-38-24	24x12		2.00	13		2		1	SOUTH	
			M-1-24-2	24x24		4.00						US-27	
223	12.669	Rt	R-1-30	30x30		6.25	12		1		1	STOP At Nichols Rd	
224	12.669	Lt	R-1-30	30x30		6.25	12		1		1	STOP At Nichols Rd	
	TOTALS CARRIED TO GENERAL SUMMARY												75 270

SIGN REPLACEMENT CONTRACT

BUTLER COUNTY - US-27

REF. NO.	S.L.M.	SIDE	CODE	SIZE	SIGN EXTRUSHEET	SIGN, FLAT SHEET TYPE "G"	GROUND MOUNTED SUPPORTS NO. 3 POST	SIGN, DOUBLE FACED MILEMARKER, TYPE G	REMOVAL OF GROUND MOUNTED SIGN & DISPOSAL	REMOVAL OF GROUND MOUNTED SIGN&RE-ERECTION	REMOVAL OF GROUND MOUNTED POST SUPPORT & DISPOSAL	REMARKS	Calculated	Checked
				INCHES	SQ.FT.	SQ. FT.	LIN. FT.	EACH	EACH	EACH	EACH		SUBSUMMARY	
225	12.693	Rt	M-37-24	24x12		2.00	13		2		1	NORTH		
		Rt	M-1-24-2	24x24		4.00						US-27		
226	12.814	Lt	W-24-30	30x30		6.25	12		1		1	Cross road		
227	12.982	Rt							1		1	Remove Mile Marker 13		
228	13.000	Rt	R-45-12	12x12			10	1				Mile Marker 13		
229	13.011	Lt	R-10-24	24x30		5.00	12		1		1	45 MPH		
230	13.017	Rt	R-10-24	24x30		5.00	12		1		1	45 MPH		
231	13.123	Rt	W-26-30	30x30		6.25	12		1		1	Side road		
	13.123	Rt							1			Remove 45 MPH advisory		
232	13.167	Rt					12/12			2	2	Re-erect Adopt A Hwy sign - back to back	BUT-4-0.00/Var	
233	13.228	Lt							2		1	Remove Route Marker		
234	13.240	Lt	R-1-30	30x30		6.25	12		1		1	STOP At Booth Rd		
235	13.260	Rt							3		1	Remove route marker and township sign		
236	13.260	Rt	N-1A-40	40x20		5.56	12/12					OXFORD TOWNSHIP LIMIT		
237	13.344	Rt	W-26-30	30x30		6.25	13		2		1	Side road - remove 45 MPH plate		
238	13.376	Lt	W-26-30	30x30		6.25	12		1		1	Side road		
239	13.399	Lt	R-10-24	24x30		5.00	12		1		1	45 MPH		
240	13.409	Rt	R-10-24	24x30		5.00	12		1		1	45 MPH		
TOTALS CARRIED TO GENERAL SUMMARY													<div style="border: 1px solid black; border-radius: 50%; width: 30px; height: 30px; display: flex; align-items: center; justify-content: center; margin: auto;"> 76 270 </div>	

SIGN REPLACEMENT CONTRACT

BUTLER COUNTY - US-27

REF. NO.	S.L.M.	SIDE	CODE	SIZE	SIGN EXTRUSHEET	SIGN, FLAT SHEET TYPE "G"	GROUND MOUNTED SUPPORTS NO. 3 POST	SIGN, DOUBLE FACED MILEMARKER,TYPE G	REMOVAL OF GROUND MOUNTED SIGN & DISPOSAL	REMOVAL OF GROUND MOUNTED SIGN&RE-ERECTION	REMOVAL OF GROUND MOUNTED POST SUPPORT & DISPOSAL	REMARKS	
				INCHES	SQ.FT.	SQ. FT.	LIN. FT.	EACH	EACH	EACH	EACH		Calculated
241	13.497	Lt							1		1	Remove route marker	SUBSUMMARY
242	13.511	Rt	R-1-30	30x30		6.25	12		1	1	1	STOP Re-erect street name	
243	13.529	Rt							1		1	Remove route marker	
244	13.662	Lt	W-26-30	30x30		6.25	12		2		1	Side road	
245	13.721	Rt	R-10-24	24x30		5.00	13		1		1	45 MPH	
246	13.721	Lt	R-10-24	24x30		5.00	13		1		1	45 MPH	
247	13.979	Rt	N-45-12	12x12			10	1	1		1	Mile Marker 14	
248	14.047	Lt	R-10-24	24x30		5.00	12		1		1	45 MPH	
249	14.047	Rt	R-10-24	24x30		5.00	12		1		1	45 MPH	
250	14.175	Rt	R-1-30	30x30		6.25	12		1	1	1	STOP Re-erect street name	
251	14.289	Rt	R-31Q-30	30x30		6.25	13		1		1	Lane use	BUT-4-0.00/Var
252	14.316	Rt	R-31Q-30	30x30		6.25	13		1		1	Lane use	
253	14.321	Lt	R-1-30	30x30		6.25	12		1		1	STOP At Miami Western Rd	
254	14.321	Rt	R-1-30	30x30		6.25	12		1		1	STOP At Miami Western Rd	
255	14.343	Rt	R-11B-24	24x30		5.00	12		1		1	REDUCE SPEED AHEAD	
256	14.347	Lt	R-31A-36	36x30		7.50	11		1		1	Lane Use	
257	14.374	Lt	D-6-60	60x30		12.50	12/12		1		2	MILLVILLE 10 / CINCINNATI 35	
258	14.427	Rt	R-1-30	30x30		6.25	12		1		1	STOP At Miami Western Rd	
	TOTALS CARRIED TO GENERAL SUMMARY												77 270

SIGN REPLACEMENT CONTRACT

BUTLER COUNTY - US-27

REF. NO.	S.L.M.	SIDE	CODE	SIZE	SIGN EXTRUSHEET	SIGN, FLAT SHEET TYPE "G"	GROUND MOUNTED SUPPORTS NO. 3 POST	SIGN, DOUBLE FACED MILEMARKER,TYPE G	REMOVAL OF GROUND MOUNTED SIGN & DISPOSAL	REMOVAL OF GROUND MOUNTED SIGN&RE-ERECTION	REMOVAL OF GROUND MOUNTED POST SUPPORT & DISPOSAL	REMARKS	
				INCHES	SQ.FT.	SQ. FT.	LIN. FT.	EACH	EACH	EACH	EACH		
259	14.448	Lt	R-10-24	24x30		5.00	12		1		1	45 MPH	SUBSUMMARY
260	14.475	Rt	N-1-40	40x20		5.56	12/12		1	3	1	OXFORD CORP LIMIT Re-erect attached	
	END SIGNING AT OXFORD SOUTH CORP.												
	RESUME SIGNING AT OXFORD NORTH CORP.												
261	18.610	Lt	N-1-40	40x20		5.56	12/12		1		2	OXFORD CORPORATION LIMIT	
262	18.611	Lt	R-1-30	30x30		6.25	12		1	1	1	STOP Re-erect street name	
263	18.637	Rt							1		1	Remove 55 MPH speed sign	
264	18.637	Lt	M-37-24	24x12		2.00	12					NORTH	BUT-4-0.00/Var
		Lt	M-1-24-2	24x24		4.00						US-27	
265	18.708	Lt	R-11B-24	24x30		5.00	12		1		1	REDUCED SPEED AHEAD	
266	18.750	Rt	R-10-24	24x30		5.00	12					New 55 MPH	
267	19.000	Rt	N-45-12	12x12			10	1				Mile Marker 19	
268	19.016	Rt							1		1	Remove Mile Marker	
269	19.425	Rt	R-1-30	30x30		6.25	12		1		1	STOP No name road	
270	20.017	Rt	N-45-12	12x12			10	1				Mile Marker 20	
271	20.017	Rt					12/12		2	1	2	Re-erect Adopt A Hwy Remove Mile Marker	
	TOTALS CARRIED TO GENERAL SUMMARY												<div style="border: 1px solid black; border-radius: 50%; width: 30px; height: 30px; display: flex; align-items: center; justify-content: center; margin: 0 auto;"> 78 270 </div>

Calculated

Checked

SIGN REPLACEMENT CONTRACT

BUTLER COUNTY - US-27

REF. NO.	S.L.M.	SIDE	CODE	SIZE	SIGN EXTRUSHEET	SIGN, FLAT SHEET TYPE "G"	GROUND MOUNTED SUPPORTS NO. 3 POST	SIGN, DOUBLE FACED MILEMARKER,TYPE G	REMOVAL OF GROUND MOUNTED SIGN & DISPOSAL	REMOVAL OF GROUND MOUNTED SIGN&RE-ERECTION	REMOVAL OF GROUND MOUNTED POST SUPPORT & DISPOSAL	REMARKS	
				INCHES	SQ.FT.	SQ. FT.	LIN. FT.	EACH	EACH	EACH	EACH		
272	20.017	Lt					12/12		2	1	2	Re-erect Adopt A Hwy sign	SUBSUMMARY
273	20.322	Rt	24x30	30x30		6.25	12		1		1	Cross road	
274	20.373	Lt	M-38-24	24x12		2.00	12		2		1	SOUTH	
		Lt	M-2-24-2	24x24		4.00						US-27	
275	20.418	Lt	R-1-30	30x30		6.25	12		1		1	STOP At Taylor	
		Lt	R-1-30	30x30		6.25	12		1		1	STOP At Taylor	
276	20.418	Rt	R-1-30	30x30		6.25	12		1	1	1	STOP At Taylor	
			R-1-30	30x30		6.25	12		1		1	STOP Re-erect street name	
277	20.461	Rt	M-37-24	24x12		2.00	12		2		1	NORTH	
			M-1-24-2	24x24		4.00						US-27	
278	20.507	Lt	W-24-30	30x30		6.25	12					Cross road	BUT-4-0.00/Var
279	20.512	Lt	R-1-30	30x30		6.25	12		1	1	1	STOP At Stout Rd - Re-erect street name	
280	20.966	Rt							1		1	Remove Mile Marker 21	
281	21.000	Rt	N-45-12	12x12			10	1				Mile Marker 21	
282	21.465	Rt	R-11B-24	24x30		5.00	12		1		1	REDUCED SPEED AHEAD	
283	21.551	Lt					12/12		1	1	2	Re-erect Adopt A Hwy sign	
284	21.561	Rt	N-1-40	40x20		5.56	12/12		1		2	COLLEGE CORNER CORPORATION LIMIT	
285	21.566	Lt	R-10-24	24x30		5.00	12		1		1	55 MPH	
	TOTALS CARRIED TO GENERAL SUMMARY												79 270

Calculated _____
Checked _____

SIGN REPLACEMENT CONTRACT

BUTLER COUNTY - US-27

REF. NO.	S.L.M.	SIDE	CODE	SIZE	SIGN EXTRUSHEET	SIGN, FLAT SHEET TYPE "G"	GROUND MOUNTED SUPPORTS NO. 3 POST	SIGN, DOUBLE FACED MILEMARKER, TYPE G	REMOVAL OF GROUND MOUNTED SIGN & DISPOSAL	REMOVAL OF GROUND MOUNTED SIGN&RE-ERECTION	REMOVAL OF GROUND MOUNTED POST SUPPORT & DISPOSAL	REMARKS	Calculated	Checked
				INCHES	SQ.FT.	SQ. FT.	LIN. FT.	EACH	EACH	EACH	EACH			
286	21.588	Rt							2		1	Remove No Parking/No Passing		
287	21.603	Lt	N-3-60	60x30		12.50	13/13		2		2	OHIO WELCOMES YOU		
		Lt	N-1A-40	40x20		5.56						OXFORD TOWNSHIP LIMIT		
288	21.640	Rt	R-11A-24	24x30		5.00	12		1		1	35 MPH		
289	21.740	Lt	R-10-24	24x30		5.00	12		1		1	35 MPH		
290	21.785	Lt	R-10-24	24x30		5.00	12					35 MPH - New location		
291	21.810	Rt							1		1	Remove US-27 route marker		
292	21.810	Rt	R-10-24	24x30		5.00	12					35 MPH - New		
293	21.817	Rt	R-1-30	30x30		6.25	12		1	1	1	STOP At Poplar St / Re-erect street name		
294	21.817	Lt	R-1-30	30x30		6.25	12		1		1	STOP At Poplar St		
295	21.822	Lt							1		1	Remove 35 MPH speed sign		
296	21.883	Lt	R-10-24	24x30		5.00	12					35 MPH At property line		
297	21.888	Rt							1		1	Remove No Parking Anytime		
298	21.896	Lt	R-1-30	30x30		6.25	12		1		1	STOP At Walnut St		
299	21.896	Rt	R-1-30	30x30		6.25	12		1		2	STOP At Walnut St		
		Rt	R-41B-30	30x30		6.25						Mount on back of Stop sign		
300	21.905	Lt							1		1	Remove 35 MPH sign		
301	21.910	Rt	R-10-24	24x30		5.00	12		1		1	35 MPH		
302	21.956	Rt							1		1	Remove 35 MPH sign		
	TOTALS CARRIED TO GENERAL SUMMARY												80	270

SUBSUMMARY

BUT-4-0.00/Var

80
270

SIGN REPLACEMENT CONTRACT

BUTLER COUNTY - US-27

REF. NO.	S.L.M.	SIDE	CODE	SIZE	SIGN EXTRUSHEET	SIGN, FLAT SHEET TYPE "G"	GROUND MOUNTED SUPPORTS NO. 3 POST	SIGN, DOUBLE FACED MILEMARKER,TYPE G	REMOVAL OF GROUND MOUNTED SIGN & DISPOSAL	REMOVAL OF GROUND MOUNTED SIGN&RE-ERECTION	REMOVAL OF GROUND MOUNTED POST SUPPORT & DISPOSAL	REMARKS	Calculated	Checked
				INCHES	SQ.FT.	SQ. FT.	LIN. FT.	EACH	EACH	EACH	EACH			
303	21.970	Lt	R-10-24	24x30		5.00	12		1		1	35 MPH	SUBSUMMARY	
304	21.979	Lt	R-1-30	30x30		6.25	12		1			STOP Replace sign on pole		
305	21.989	Rt	R-10-24	24x30		5.00	12					35 MPH New		
306	22.000	Rt	N-45-12	12x12			9	1				Mile Marker 22		
307	22.020	Lt	M-38-24	24x12		2.00	12		1		1	SOUTH		
		Lt	M-1-24-2	24x24		4.00						US-27		
308	22.027	Rt	M-37-24	24x12		2.00	12		1		1	NORTH		
			M-1-24-2	24x24		4.00						US-27		
309	22.032	Lt	R-10-24	24x30		5.00	12		1		1	35 MPH	BUT-4-0.00/Var	
310	22.044	Rt	R-1-30	30x30		6.25	12		1	1	1	STOP Re-erect street name		
311	22.044	Rt	R-1-30	30x30		6.25			1			STOP Attach to existing wood pole		
	INDIANA STATE LINE													
	TOTALS CARRIED TO GENERAL SUMMARY												81	270

SHEET NO	REF. NO.	LOCATION	REMARKS	SIDE	CODE	SIZE (INCHES)	SIGN, GRND MTD EXTRUSHEET	SIGN, FLAT SHEET TYPE G	GROUND MOUNTED SUPPORT, NO. 3 POST	ONE WAY SUPPORT, NO. 3 POST	GROUND MOUNTED BEAM SUPPORT S 4 X 7.7	GROUND MOUNTED BEAM SUPPORT W 10 X 12	GROUND MOUNTED BEAM SUPPORT W 10 X 22	GROUND MOUNTED BEAM SUPPORT FOUNDATION	BREAKAWAY BEAM CONN.	GROUND MOUNTED BEAM SUPPORT W 6 X 9	SIGN, OVERHEAD EXTRUSHEET	OVRD SIGN SUPT TYPE TC-12.30	RIGID OVERHD SIGN SUP.FONDA	SIGN ATACH ASSEMBLY		Calculated	Checked
		BUTLER COUNTY US-27 MAINLINE TOTALS					SF	SF	FT	FT	FT	FT	FT	EACH	EACH	FT	SF	EACH	EACH	EACH			
SUBSUMMARY																							
BUT-4-0.00/Var																							
							89.00	1189.67	2777		73.55			6	6		259.00			4			

SUB-SUMMARY SHEET

82
276

SHEET NO	REF. NO.	LOCATION	REMARKS	SIGN DOUBLE FACED MILEMARKER TYPE	REM. OVRHD STRUCTURE SIGN SUPPORT	NEW OVRHD STRUCTURE SIGN SUPPORT	REM. OVRHD MT SIGN&DISPOSAL	REM. GRND. MNTD. MAJOR SIGN&DISPOSAL	REM. GROUND MOUNTED SIGN & DISPOSAL	REM. GROUND MOUNTED BEAM SUPPORT &	REM. GROUND MOUNTED POST SUPRT & DISPOSAL	SIGNING, MISC.REMOVAL OF SIGN SUPRT FOUNDATIONS	REMOVAL OF GRND. MNTD. SIGN & RE-ERECTION	REMOVAL OF GRND. MNTD. MAJOR SIGN & RE-	REM.SN.SERV &DISP., AAP	REMOVAL OF LUMN & DISPOSAL	REM. BALLAST & DISPOSAL	REM. SIGN WIR'G	REM.STRUCTURE MTD SIGN&DISP	GRD.MNTD. BEAM SPT. W 8 X 18		
		BUTLER COUNTY US-27 MAINLINE TOTALS		EA.	EACH	EACH	EACH	EACH	EACH	EACH	EACH	EACH	EACH	EACH	EACH	EACH	EACH	EACH	EACH	EACH		
				SUBSUMMARY																		
				BUT-4-0.00/Var																		
TOTALS CARRIED TO GENERAL SUMMARY				8	2	2	2		298		239		12		3	5	5	3	3			

SIGN REPLACEMENT CONTRACT

BUTLER COUNTY - US-42

REF. NO.	S.L.M.	SIDE	CODE	SIZE	SIGN EXTRUSHEET	SIGN, FLAT SHEET TYPE "G"	GROUND MOUNTED SUPPORTS NO. 3 POST	SIGN, DOUBLE FACED MILEMARKER, TYPE G	REMOVAL OF GROUND MOUNTED SIGN & DISPOSAL	REMOVAL OF GROUND MOUNTED SIGN&RE-ERECTION	REMOVAL OF GROUND MOUNTED POST SUPPORT & DISPOSAL	REMARKS	
				INCHES	SQ.FT.	SQ. FT.	LIN. FT.	EACH	EACH	EACH	EACH		Calculated
1	0.000	Rt	N-2-40	40x20		5.56	12/12		1		2	ENTER BUTLER CO/LEAVE HAMILTON CO	SUBSUMMARY
			N-2-40	40x20		5.56			1			ENTER HAMILTON CO/LEAVE BUTLER CO	
			N-45-12	12x12			10	1				Above signs back to back / add 0 mile marker	
2	0.000	Lt	R-31Q-30	30x30		6.25	12		1		1	LT/THU	BUT-4-0.00/Var
3	0.005	Rt	W-53R-36	36x36		9.00	13		1		1	RIGHT LANE ENDS	
									1			Remove Kawinas Club sign	
									1			Remove load noise sign	
4	0.023	Rt										Do not disturb WEST CHESTER CORP. sign	
5	0.027	Rt							1		1	Relocate Historic sign to 0.054	
									1			Remove No Soliciting sign	
6	0.047	Rt	W-60R-36	36x36		9.00	13		1		1	Right lane reduction symbol	
7	0.054	Rt					12/12		1		2	Remove Seat Belt sign / Re-erect Historic sign	
										1		from Loc #5 0.027	
8	0.054	Lt	R-1-30	30x30		6.25	12		1	1	1	STOP on Windwood Lane / Re-erect street name	
9	0.121	Lt	W-47-36	36x36		9.00	13		1		1	Signal Ahead symbol	
10	0.194	Rt	R-10-24	24x30		5.00	12		1		1	SPEED LIMIT 40	
11	0.280	Rt							1		1	Remove speed limit	
			M-37-24	24x12		2.00	12					NORTH (New)	
			M-1-24-2	24x24		4.00						US-42	
	TOTALS CARRIED TO GENERAL SUMMARY												84 270

SIGN REPLACEMENT CONTRACT

BUTLER COUNTY - US-42

REF. NO.	S.L.M.	SIDE	CODE	SIZE	SIGN EXTRUSHEET	SIGN, FLAT SHEET TYPE "G"	GROUND MOUNTED SUPPORTS NO. 3 POST	SIGN, DOUBLE FACED MILEMARKER, TYPE G	REMOVAL OF GROUND MOUNTED SIGN & DISPOSAL	REMOVAL OF GROUND MOUNTED SIGN&RE-ERECTION	REMOVAL OF GROUND MOUNTED POST SUPPORT & DISPOSAL	REMARKS	Calculated	Checked
				INCHES	SQ.FT.	SQ. FT.	LIN. FT.	EACH	EACH	EACH	EACH		SUBSUMMARY	
12	0.347	Lt	R-10-24	24x30		5.00	12		1		1	SPEED LIMIT 40		
13	0.394	Rt	R-1-30	30x30		6.25	12		1	1	1	STOP On Duane Road / Re-erect street name		
14	0.408	Lt	R-10-24	24x30		5.00	12		1		1	SPEED LIMIT 40		
15	0.628	Rt	R-55R-12	12x18		1.50	12		1		1	NO PARKING ANYTIME (Right arrow)		
16	0.660	Rt	R-31Q-30	30x30		6.25	12		1		1	LT/TH (Existing sign R-31A wrong)		
17	0.660	Lt	R-10-24	24x30		5.00	12		1		1	SPEED LIMIT 40		
18	0.673	Rt	W-1-30	30x30		6.25	12		1		1	Right curve		
19	0.695	Rt	R-31Q-30	30x30		6.25	12		1		1	LT/TH (Existing sign R-31A wrong)		
20	0.709	Rt	R-10-24	24x30		5.00	12		1		1	SPEED LIMIT 40		
21	0.721	Rt	R-1-30	30x30		6.25	12		1	1	1	STOP On Sunny Lane / Re-erect street name		
22	0.829	Lt	W-26-30	30x30		6.25	12		1		1	Side road		
23	0.881	Lt	W-2-30	30x30		6.25	12		1		1	Left curve		
24	0.895	Rt	R-10-24	24x30		5.00	12		1		1	SPEED LIMIT 40		
25	0.970	Rt	R-1-30	30x30		6.25	12		1		1	STOP On Timberview Lane		
26	0.985	Rt	N-45-12						1		1	Remove Mile Marker 1		
27	1.000	Rt	N-45-12	12x12			10	1				Mile Marker 1 (New location)		
28	1.052	Rt	R-31A-36	36x30		7.50	12		1		1	LT/THU-RT		
29	1.076	Lt	M-38-24	24x12		2.00	12					SOUTH (New location)		
			M-1-24-2	24x24		4.00						US-42		
TOTALS CARRIED TO GENERAL SUMMARY													85	270

Calculated
Checked

SUBSUMMARY

BUT-4-0.00/Var

85
270

SIGN REPLACEMENT CONTRACT

BUTLER COUNTY - US-42

REF. NO.	S.L.M.	SIDE	CODE	SIZE	SIGN EXTRUSHEET	SIGN, FLAT SHEET TYPE "G"	GROUND MOUNTED SUPPORTS NO. 3 POST	SIGN, DOUBLE FACED MILEMARKER, TYPE G	REMOVAL OF GROUND MOUNTED SIGN & DISPOSAL	REMOVAL OF GROUND MOUNTED SIGN&RE-ERECTION	REMOVAL OF GROUND MOUNTED POST SUPPORT & DISPOSAL	REMARKS	
				INCHES	SQ.FT.	SQ. FT.	LIN. FT.	EACH	EACH	EACH	EACH		
30	1.093	Rt	R-31A-36	36x30		7.50	12					LT/THU-RT (New location)	SUBSUMMARY
31	1.107	Lt	R-31A-36	36x30		7.50	12					LT/THU-RT (New location)	
32	1.160	Lt	R-31A-36	36x30		7.50	12					LT/THU-RT (New location)	
33	1.310	Rt	M-37-24	24x12		2.00	12					NORTH (New location)	
			M-1-24-2	24x24		4.00						US-42	
34	1.366	Rt	R-10-24	24x30		5.00	12		1		1	SPEED LIMIT 35	BUT-4-0.00/Var
35	1.387	Lt	R-10-24	24x30		5.00	12		1		1	SPEED LIMIT 35	
36	1.432	Rt	R-1-30	30x30		6.25	12		1	1	1	STOP On Wendel Road/Re-erect street name	
37	1.476	Rt	R-31A-36	36x30		7.50	12		1		1	LT/THU-RT	
38	1.507	Rt	N-1B-40	40x20		5.56	12/12		1		1	PISGAH	
39	1.556	Lt	R-10-24	24x30		5.00	12		1		1	SPEED LIMIT 35	
40	1.566	Lt	R-1-30	30x30		6.25	12		1	1	1	STOP On N. Pisgah Dr./Re-erect street name	
41	1.735	Lt	R-1-30	30x30		6.25	12		1		1	STOP On John Road	
42	1.818	Rt	R-31A-36	36x30		7.50	12					LT/THU-RT (New location)	
43	1.846	Rt	R-31A-36						1		1	Remove lane use sign (R-31A-36)	
44	1.867	Rt	R-31A-36	36x30		7.50	12					LT/THU-RT (New location)	
45	1.906	Rt	R-48-24	24x36		6.00	12		1		1	CENTER LANE TWLT ONLY	
46	1.912	Lt	R-31A-36	36x30		7.50	12		1		1	LT/THU-RT	
	TOTALS CARRIED TO GENERAL SUMMARY												<div style="border: 1px solid black; border-radius: 50%; width: 30px; height: 30px; display: flex; flex-direction: column; align-items: center; justify-content: center; margin: 0 auto;"> 86 270 </div>

Calculated
Checked

SIGN REPLACEMENT CONTRACT

BUTLER COUNTY - US-42

REF. NO.	S.L.M.	SIDE	CODE	SIZE	SIGN EXTRUSHEET	SIGN, FLAT SHEET TYPE "G"	GROUND MOUNTED SUPPORTS NO. 3 POST	SIGN, DOUBLE FACED MILEMARKER, TYPE G	REMOVAL OF GROUND MOUNTED SIGN & DISPOSAL	REMOVAL OF GROUND MOUNTED SIGN & RE-ERECTION	REMOVAL OF GROUND MOUNTED POST SUPPORT & DISPOSAL	REMARKS	Calculated Checked		
													INCHES	SQ.FT.	SQ. FT.
47	1.926	Rt	W-47-36	36x36		9.00	12		1		1	Old sign W-26 (Side road)	SUBSUMMARY		
			D-8Y-48	48x8		2.67			1			← COX RD			
48	1.947	Rt	M-37-24	24x12		2.00	12		1		1	NORTH			
			M-1-24-2	24x24		4.00			1			US-42			
49	1.959	Lt	R-48-24	24x36		6.00	12		1		1	CENTER LANE TWLT ONLY			
50	1.963	Rt	R-31Q-30	30x30		6.25	12		1		1	LT/TH			
51	1.974	Lt	M-38-24	24x12		2.00	12					SOUTH (New location)			
			M-1-24-2	24x24		4.00						US-42			
52	2.014	Rt	R-31Q-30	30x30		6.25	12		1		1	LT/TH			
									1			Remove Mile Marker 2			
53	2.014	Rt	N-45-12				10	1				Mile Marker 2, next to lane use sign	BUT-4-0.00/Var		
54	2.055	Rt	M-37-24	24x12		2.00	12					NORTH (New location)			
			M-1-24-2	24x24		4.00						US-42			
55	2.115	Lt	W-47-36	36x36		9.00	12		1		1	Old sign W-26 (side road)			
			D-8Y-48	48x8		2.67			1			COX RD →			
56	2.151	Rt	R-10-24	24x30		5.00	12		1		1	SPEED LIMIT 40			
57	2.151	Lt	R-10-24	24x30		5.00	12		1		1	SPEED LIMIT 35			
58	2.189	Lt	W-75-30	30x30		6.25	12		1		1	PLAYGROUND ENTRANCE			
59	2.190	Lt	N-1B-40	40x20		5.56	12/12		1		2	PISGAH			
	TOTALS CARRIED TO GENERAL SUMMARY														

SIGN REPLACEMENT CONTRACT

BUTLER COUNTY - US-42

REF. NO.	S.L.M.	SIDE	CODE	SIZE	SIGN EXTRUSHEET	SIGN, FLAT SHEET TYPE "G"	GROUND MOUNTED SUPPORTS NO. 3 POST	SIGN, DOUBLE FACED MILEMARKER, TYPE G	REMOVAL OF GROUND MOUNTED SIGN & DISPOSAL	REMOVAL OF GROUND MOUNTED SIGN & RE-ERECTION	REMOVAL OF GROUND MOUNTED POST SUPPORT & DISPOSAL	REMARKS	
				INCHES	SQ.FT.	SQ. FT.	LIN. FT.	EACH	EACH	EACH	EACH		Calculated
60	2.212	Lt	R-11A-24	24x30		5.00	12		1		1	REDUCED SPEED 35 AHEAD	SUBSUMMARY
61	2.363	Lt	R-10-24	24x30		5.00	12		1		1	SPEED LIMIT 40	
62	2.408	Rt	W-75-30	30x30		6.25	12		1		1	TRUCK ENTRANCE	
63	2.472	Rt	R-1-30	30x30		6.25	12		1		1	STOP On Regal Road	
64	2.605	Lt	R-10-24	24x30		5.00	12		1		1	SPEED LIMIT 40	
65	2.605	Rt	R-10-24	24x30		5.00	12		1		1	SPEED LIMIT 40	
66	2.649	Rt	R-1-30	30x30		6.25	12		1		1	STOP On Paul Manor Road	
67	2.795	Rt	R-10-24	24x30		5.00	12		1		1	SPEED LIMIT 40	
68	3.008	Rt	N-45-12	12x12			10	1	1		1	Mile Marker 3	
69	3.030	Rt	W-24-30						1		1	Remove cross road sign	
70	3.163	Lt	R-10-24	24x30		5.00	12		1		1	SPEED LIMIT 40	BUT-4-0.00/Var
71	3.163	Rt	W-24-30	30x30		6.25	13					Cross road (New location)	
72	3.245	Lt	D-6-60	60x30		12.50	12/12		1		2	SHARONVILLE 5 / CINCINNATI 19	
73	3.273	Rt	R-10-24	24x30		5.00	12		1		1	SPEED LIMIT 40	
74	3.279	Lt	M-37-24	24x12		2.00	12				1	SOUTH (New sign)	
			M-1-24-2	24x24		4.00			1			US-42	
												Remove load noise sign	
75	3.290	Lt	R-10-24	24x30		5.00	12		1		1	SPEED LIMIT 40	
TOTALS CARRIED TO GENERAL SUMMARY													<div style="border: 1px solid black; border-radius: 50%; width: 30px; height: 30px; display: flex; align-items: center; justify-content: center; margin: 0 auto;"> 88 270 </div>

SIGN REPLACEMENT CONTRACT

BUTLER COUNTY - US-42

REF. NO.	S.L.M.	SIDE	CODE	SIZE	SIGN EXTRUSHEET	SIGN, FLAT SHEET TYPE "G"	GROUND MOUNTED SUPPORTS NO. 3 POST	SIGN, DOUBLE FACED MILEMARKER, TYPE G	REMOVAL OF GROUND MOUNTED SIGN & DISPOSAL	REMOVAL OF GROUND MOUNTED SIGN&RE-ERECTION	REMOVAL OF GROUND MOUNTED POST SUPPORT & DISPOSAL	REMARKS	Calculated	Checked
													SUBSUMMARY	BUT-4-0.00/Var
				INCHES	SQ.FT.	SQ. FT.	LIN. FT.	EACH	EACH	EACH	EACH			
76	3.304	Rt	N-2-40	40x20		5.56	12/12		1		2	ENTER BUTLER CO/LEAVE WARREN CO		
			N-2-40	40x20		5.56			1			ENTER WARREN CO/LEAVE BUTLER CO		
												Above signs back to back		
TOTALS CARRIED TO GENERAL SUMMARY						431.70	932	4	72	6	68			

89
270

SIGN REPLACEMENT CONTRACT

BUTLER COUNTY - SR-63

REF. NO.	S.L.M. 4 Lane Divided Left = Median Eastbound	SIDE	CODE	SIZE	SIGN EXTRUSHEET	SIGN, FLAT SHEET TYPE "G"	GROUND MOUNTED SUPPORTS NO. 3 POST	SIGN, DOUBLE FACED MILEMARKER, TYPE G	REMOVAL OF GROUND MOUNTED SIGN & DISPOSAL	REMOVAL OF GROUND MOUNTED SIGN&RE-ERECTION	REMOVAL OF GROUND MOUNTED POST SUPPORT & DISPOSAL	REMARKS	
				INCHES	SQ.FT.	SQ. FT.	LIN. FT.	EACH	EACH	EACH	EACH		Calculated Checked
1	1.484	Rt	N-37-24	24x18		3.00	12		1		1	LEAVE CORP	SUBSUMMARY
2	1.846	Rt	W-47-48	48x48		16.00	12/12		1		1	SIGNAL AHEAD	
3	1.846	Lt	W-47-48	48x46		16.00	12/12		1		1	SIGNAL AHEAD	
4	1.898	Rt	D-11-18	72x18	9.00		12/12		1		2	YANKEE RD	
5	1.936	Rt	R-31C-48	48x30		10.00	12/12		1		1	LT/TH/TH,RT	
6	1.966	Rt	R-41B-30	30x30		6.25	12					DO NOT ENTER (New location)	
7	1.966	Lt	R-41B-30	30x30		6.25	12					DO NOT ENTER (New location)	
8	1.983	Rt	R-31C-48	48x30		10.00	12/12					LT/TH/TH,RT (New location)	
9	2.000	Rt	N-45-12	12x12			10	1				Mile Marker 2 (New location)	
10	2.002	Lt	R-43R-48						1		1	Remove One Way sign	BUT-4-0.00/Var
			R-41B-30						1			Remove Do Not Enter sign	
			R-37R-24	24x30		5.00	12					KEEP RIGHT (New sign)	
11	2.010	Rt	R-10-24						1		1	Remove Speed Limit 55 sign	
			M-39-24	24x12		2.00	13					EAST (New sign)	
			M-2-24-2	24x24		4.00						SR-63 (New sign)	
12	2.050	Rt	R-10-24	24x50		5.00	12		1		1	SPEED LIMIT 55 (New location)	
13	2.350	Rt	W-24-36	36x36		9.00	12		1		1	Cross road	
			W-143-24						1			Remove 45 MPH advisory sign	
14	2.350	Lt	W-24-36	36x36		9.00	12		1		1	Cross road	
			W-143-24						1			Remove 45 MPH advisory sign	
TOTALS CARRIED TO GENERAL SUMMARY													90 270

SIGN REPLACEMENT CONTRACT

BUTLER COUNTY - SR-63

REF. NO.	S.L.M.	SIDE	CODE	SIZE	SIGN EXTRUSHEET	SIGN, FLAT SHEET TYPE "G"	GROUND MOUNTED SUPPORTS NO. 3 POST	SIGN, DOUBLE FACED MILEMARKER, TYPE G	REMOVAL OF GROUND MOUNTED SIGN & DISPOSAL	REMOVAL OF GROUND MOUNTED SIGN&RE-ERECTION	REMOVAL OF GROUND MOUNTED POST SUPPORT & DISPOSAL	REMARKS	
				INCHES	SQ.FT.	SQ. FT.	LIN. FT.	EACH	EACH	EACH	EACH		Calculated
15	2.427	Rt	D-11-18	84x18	10.50		12/12		1		2	MACREADY AVE	SUBSUMMARY
16	2.459	Rt	N-1-40	40x20		5.56	12/12		1		2	MONROE CORPORATION LIMIT	
	Westbound												
17	2.489	Rt	N-37-24	24x18		3.00	12		1		1	LEAVE CORP	BUT-4-0.00/Var
18	2.467	Rt	R-10-24	24x30		5.00	12		1		1	SPEED LIMIT 55	
19	2.355	Rt	W-76F-36	36x39		9.00	13		1		1	Tractor Crossing symbol	
20	2.411	Lt	W-47-48	48x48		16.00	12/12		1		1	Signal Ahead	
21	2.411	Rt	W-47-48	48x48		16.00	12/12		1		1	Signal Ahead	
22	2.091	Rt	D-11-18	72x18	9.00		12/12		1		2	YANKEE RD	
23	2.050	Rt	R-31C-48	48x30		10.00	12/12		1		1	LT/TH/TH,RT (New location)	
24	2.022	Rt	R-41B-30	30x30		6.25	12					DO NOT ENTER (New location)	
25	2.022	Lt	R-41B-30	30x30		6.25	12					DO NOT ENTER (New location)	
26	2.009	Rt	N-45-12	12x12			10	1				Mile Marker 2 (New location)	
27	2.008	Rt	R-41B-30						1		1	Remove DO NOT ENTER sign	
28	1.988	Lt	R-43R-48						1		1	Remove ONE WAY sign	
			R-41B-30						1			Remove DO NOT ENTER sign	
			R-37R-24	24x30		5.00	12					KEEP RIGHT (New sign)	
29	1.985	Rt	N-45-12						1		1	Remove Mile Marker 2	
	TOTALS CARRIED TO GENERAL SUMMARY												91 270

SIGN REPLACEMENT CONTRACT

BUTLER COUNTY - SR-73

REF. NO.	S.L.M.	SIDE	CODE	SIZE	SIGN EXTRUSHEET	SIGN, FLAT SHEET TYPE "G"	GROUND MOUNTED SUPPORTS NO. 3 POST	SIGN, DOUBLE FACED MILEMARKER, TYPE G	REMOVAL OF GROUND MOUNTED SIGN & DISPOSAL	REMOVAL OF GROUND MOUNTED SIGN&RE-ERECTION	REMOVAL OF GROUND MOUNTED POST SUPPORT & DISPOSAL	REMARKS	
				INCHES	SQ.FT.	SQ. FT.	LIN. FT.	EACH	EACH	EACH	EACH		Calculated Checked
1	1.470	Lt	N-1-40	40x20		5.56	12/12		1		2	OXFORD CORPORATION LIMIT	SUBSUMMARY
										1		Re-erect Tree City sign	
2	1.470	Lt	R-10-24	24x30		5.00	12		1			SPEED LIMIT 50 (Old 35)	
												Install left of corp. sign	
3	1.470	Rt					12/12			1	2	Re-erect Adopt-A-Hwy sign	
4	1.553	Rt	D-6-60	60x30		12.50	13/13					TRENTON 16 (New location)	
												MIDDLETOWN 20	
5	1.553	Lt	M-40-24	24x12		2.00	12					WEST (New location)	
			M-2-24-2	24x24		4.00						SR-73	
6	1.578	Rt	R-1-30	30x30		6.25	12		1		1	STOP On Retreat Lane	
7	1.595	Rt	M-39-24	24x12		2.00	12					EAST (New location)	
			M-2-24-2	24x24		4.00						SR-73	
8	1.632	Rt	R-10-24	24x30		5.00	12		1		1	SPEED LIMIT 55	
9	1.632	Lt	R-11A-24						1		1	Remove REDUCED SPEED 35 AHEAD	
10	1.913	Rt	W-26-30	30x30		6.25	12		1		1	Side road	
11	1.946	Rt	R-159-36						1		1	Remove SEAT BELT STATE LAW sign	
12	1.955	Lt	W-76D-30	30x30		6.25	12		1		1	Deer Crossing symbol	
	TOTALS CARRIED TO GENERAL SUMMARY												<div style="border: 1px solid black; border-radius: 50%; width: 30px; height: 30px; display: flex; flex-direction: column; align-items: center; justify-content: center;"> 93 270 </div>

SIGN REPLACEMENT CONTRACT

BUTLER COUNTY - SR-73

REF. NO.	S.L.M.	SIDE	CODE	SIZE	SIGN EXTRUSHEET	SIGN, FLAT SHEET TYPE "G"	GROUND MOUNTED SUPPORTS NO. 3 POST	SIGN, DOUBLE FACED MILEMARKER, TYPE G	REMOVAL OF GROUND MOUNTED SIGN & DISPOSAL	REMOVAL OF GROUND MOUNTED SIGN&RE-ERECTION	REMOVAL OF GROUND MOUNTED POST SUPPORT & DISPOSAL	REMARKS	Calculated	Checked	
				INCHES	SQ.FT.	SQ. FT.	LIN. FT.	EACH	EACH	EACH	EACH				
13	1.979	Lt					12/12		2	1	2	Remove two Adopt-A-Hwy signs, Re-erect OXFORD BIKE CENTER Adopt sign	SUBSUMMARY		
14	1.979	Rt				12/12			1			Re-erect the DELTA SIGMA PI Adopt sign from left side of road			
15	1.982	Rt	N-45-12						1		1	Remove Mile Marker 2			
16	2.000	Rt	N-45-12	12x12		10	1					Mile Marker 2 (New location)			
17	2.071	Rt	R-1-30	30x30		12.50	2@12		2		2	STOP On Springwood Drive (Dual)			
18	2.129	Rt	W-26-30	30x30		6.25	12		1		1	Side road			
19	2.216	Lt	W-26-30	30x30		6.25	12		1		1	Side road			
20	2.266	Lt	M-40-24						1		2	Remove WEST sign		BUT-4-0.00/Var	
			M-2-24-2						1			Remove SR-73 sign			
			N-1A-40	40x20		5.56	12/13		1			OXFORD TOWNSHIP LIMIT			
21	2.280	Lt	R-1-30	30x30		6.25	12		1	1	1	STOP On Oxford, Milford Rd. / Re-erect street name sign			
22	2.299	Rt	M-39-24						1		1	Remove EAST sign			
			M-2-24-2						1			Remove SR-73 sign			
23	2.415	Rt	W-26-30	30x30		6.25	13		1		1	Side road			
24	2.415	Lt	W-26-30	30x30		6.25	12		1		1	Side road			
25	2.591	Rt	R-1-30	30x30		12.50	2@12		2		2	STOP On Scholenburger Rd. (Dual)			
26	2.691	Lt	W-26-30	30x30		6.25	12		1		1	Side road			
TOTALS CARRIED TO GENERAL SUMMARY															

94
270

SIGN REPLACEMENT CONTRACT

BUTLER COUNTY - SR-73

REF. NO.	S.L.M.	SIDE	CODE	SIZE	SIGN EXTRUSHEET	SIGN, FLAT SHEET TYPE "G"	GROUND MOUNTED SUPPORTS NO. 3 POST	SIGN, DOUBLE FACED MILEMARKER,TYPE G	REMOVAL OF GROUND MOUNTED SIGN & DISPOSAL	REMOVAL OF GROUND MOUNTED SIGN&RE-ERECTION	REMOVAL OF GROUND MOUNTED POST SUPPORT & DISPOSAL	REMARKS	
				INCHES	SQ.FT.	SQ. FT.	LIN. FT.	EACH	EACH	EACH	EACH		Calculated
27	2.737	Rt	R-34-24	24x30		5.00	12		1		1	PASS WITH CARE	SUBSUMMARY
28	2.888	Rt	R-33-24						1		1	DO NOT PASS (Remove)	
29	2.947	Rt	N-45-12						1		1	Remove Mile Marker 3	
30	2.968	Rt	R-33-24	24x30		5.00	12					DO NOT PASS (New location)	
31	3.000	Rt	N-45-12	12x12			10	1				Mile Marker 3 (New location)	
32	3.042	Rt					13/13			1	2	Re-erect Adopt-A-Hwy sign	
33	3.050	Lt					12/13			1	2	Re-erect Adopt-A-Hwy sign	
34	3.152	Lt	R-34-24	24x30		5.00	13		1		1	PASS WITH CARE	
35	3.162	Rt	W-76D-30	30x30		6.25	13		1		1	Deer Crossing symbol	
36	3.807	Lt	R-33-24	24x30		5.00	12		1		1	DO NOT PASS	
37	3.807	Rt	R-33-24	24x30		5.00	13		1		1	DO NOT PASS	BUT-4-0.00/Var
38	3.907	Rt	N-45-12						1		1	Remove Mile Marker 4	
39	4.000	Rt	N-45-12	12x12			10	1				Mile Marker 4 (New location)	
40	4.045	Lt	R-33-24	24x30		5.00	13		1		1	DO NOT PASS	
41	4.215	Lt	W-47-36	36x36		9.00	13		1		1	Signal Ahead symbol (Faces EB)	
			W-143-24	24x24		4.00			1			45 MPH advisory	
42	4.215	Rt	W-47-36	36x36		9.00	13		1		1	Signal Ahead symbol	
			W-143-24	24x24		4.00			1			45 MPH advisory	
	TOTALS CARRIED TO GENERAL SUMMARY												<div style="border: 1px solid black; border-radius: 50%; width: 30px; height: 30px; display: flex; flex-direction: column; align-items: center; justify-content: center;"> 95 <hr style="width: 100%;"/> 270 </div>

SIGN REPLACEMENT CONTRACT

BUTLER COUNTY - SR-73

REF. NO.	S.L.M.	SIDE	CODE	SIZE	SIGN EXTRUSHEET	SIGN, FLAT SHEET TYPE "G"	GROUND MOUNTED SUPPORTS NO. 3 POST	SIGN, DOUBLE FACED MILEMARKER, TYPE G	REMOVAL OF GROUND MOUNTED SIGN & DISPOSAL	REMOVAL OF GROUND MOUNTED SIGN&RE-ERECTION	REMOVAL OF GROUND MOUNTED POST SUPPORT & DISPOSAL	REMARKS	
				INCHES	SQ.FT.	SQ. FT.	LIN. FT.	EACH	EACH	EACH	EACH		Calculated
43	4.253	Rt	M-17-21	21x15		2.19			1		1	JCT	SUBSUMMARY
			M-2-24-3	30x24		5.00			1			SR-177	
44	4.281	Rt	D-1G-72	72x12	6.00		12/12		1		2	← RICHMOND IND 27	
			D-1G-72	72x12	6.00				1			HAMILTON 10 →	
45	4.297	Lt	R-10-24	24x30		5.00	12		1		1	SPEED LIMIT 55	
46	4.321	Lt	M-40-24	24x12		2.00	13		1		1	WEST	
			M-2-24-2	24x24		4.00			1			SR-73	
47	4.337	Lt	R-34-24	24x30		5.00	12		1		1	PASS WITH CARE	
48	4.353	Lt	M-2-24-3	30x24		5.00	12		1		1	SR-177	BUT-4-0.00/Var
			M-25-21	21x15		2.19			1			Double horizontal arrow	
49	4.376	Rt	M-2-24-3	30x24		5.00	12		1		1	SR-177	
			M-25-21	21x15		2.19			1			Double horizontal arrow	
50	4.399	Rt	M-39-24	24x12		2.00	12		1		1	EAST	
			M-2-24-2	24x24		4.00			1			SR-73	
51	4.423	Rt	R-10-24	24x30		5.00	12		1		1	SPEED LIMIT 55	
52	4.443	Lt	D-1G-72	72x12	6.00		13/13		1		2	← HAMILTON 10	
			D-1G-72	72x12	6.00				1			RICHMOND IND 27 →	
			D-1B-72	72x12	6.00				1			HUESTON WOODS 6 →	
	TOTALS CARRIED TO GENERAL SUMMARY												<div style="border: 1px solid black; border-radius: 50%; width: 30px; height: 30px; display: flex; align-items: center; justify-content: center; margin: 0 auto;"> 96 270 </div>

SIGN REPLACEMENT CONTRACT

BUTLER COUNTY - SR-73

REF. NO.	S.L.M.	SIDE	CODE	SIZE	SIGN EXTRUSHEET	SIGN, FLAT SHEET TYPE "G"	GROUND MOUNTED SUPPORTS NO. 3 POST	SIGN, DOUBLE FACED MILEMARKER,TYPE G	REMOVAL OF GROUND MOUNTED SIGN & DISPOSAL	REMOVAL OF GROUND MOUNTED SIGN&RE-ERECTION	REMOVAL OF GROUND MOUNTED POST SUPPORT & DISPOSAL	REMARKS	Calculated	Checked	
				INCHES	SQ.FT.	SQ. FT.	LIN. FT.	EACH	EACH	EACH	EACH				
53	4.480	Lt	M-17-21	21x15		2.19	12		1		1	JCT	SUBSUMMARY		
			M-2-24-3	30x24		5.00			1			SR-177			
54	4.520	Lt	W-47-36	36x36		9.00	12		1		1	Signal Ahead symbol			
			W-143-24	24x24		4.00			1			45 MPH advisory			
55	4.520	Rt	W-47-36	36x36		9.00	13		1		1	Signal Ahead symbol (Faces EB)			
			W-143-24	24x24		4.00			1			45 MPH advisory			
56	4.633	Lt	R-33-24	24x30		5.00	12		1		1	DO NOT PASS			
57	5.000	Rt	N-45-12	12x12			10	1				Mile Marker 5 (New location)			
58	5.048	Rt	W-79-30	30x30		6.25	12		1		1	SCHOOL BUS STOP	BUT-4-0.00/Var		
59	5.070	Lt					12/12			1	2	Re-erect Adopt-A-Hwy sign			
60	5.337	Rt	W-2-30	30x30		6.25	12		1		1	Left curve			
			W-143-18	18x18		2.25			1			45 MPH advisory			
61	5.401	Rt	W-79-30	30x30		6.25			1		1	SCHOOL BUS STOP			
62	5.449 - 5.469	Rt	W-33-18	18x24		18.00	3@10		6		3	6 chevrons, 3 each direction			
63	5.561	Lt	W-1-30	30x30		6.25	12		1		1	Right curve			
			W-143-18	18x18		2.25			1			45 MPH advisory			
64	5.799	Rt	W-79-30	30x30		6.25	12		1		1	SCHOOL BUS STOP			
65	5.993	Rt	N-45-12	12x12			10	1	1		1	Mile Marker 6			
66	6.052	Lt	W-79-30	30x30		6.25	12		1		1	SCHOOL BUS STOP			
	TOTALS CARRIED TO GENERAL SUMMARY														

97
270

SIGN REPLACEMENT CONTRACT

BUTLER COUNTY - SR-73

REF. NO.	S.L.M.	SIDE	CODE	SIZE	SIGN EXTRUSHEET	SIGN, FLAT SHEET TYPE "G"	GROUND MOUNTED SUPPORTS NO. 3 POST	SIGN, DOUBLE FACED MILEMARKER, TYPE G	REMOVAL OF GROUND MOUNTED SIGN & DISPOSAL	REMOVAL OF GROUND MOUNTED SIGN&RE-ERECTION	REMOVAL OF GROUND MOUNTED POST SUPPORT & DISPOSAL	REMARKS	Calculated	Checked
				INCHES	SQ.FT.	SQ. FT.	LIN. FT.	EACH	EACH	EACH	EACH			
67	6.159	Rt	W-1-30	30x30		6.25	12		1		1	Right curve	SUBSUMMARY	
			W-143-18	18x18		2.25			1			45 MPH advisory		
68	6.358	Lt	W-2-30	30x30		6.25	12		1		1	Left curve		
			W-143-18	18x18		2.25						45 MPH advisory		
69	7.004	Rt	N-45-12	12x12			10	1	1		1	Mile Marker 7		
70	7.102	Lt	W-45A-36	36x36		9.00	13		1		1	Stop Ahead symbol (Faces EB)		
			W-145B-30	30x24		5.00			1			1000 FEET		
71	7.102	Rt	W-45-36	36x36		9.00	13		1		1	Stop Ahead symbol		
			W-145B-30	30x24		5.00			1			1000 FEET		
72	7.152	Rt	M-17-21	21x15		2.19	12		1		1	JCT		BUT-4-0.00/Var
			M-1-24-2	24x24		4.00			1			US-27		
73	7.182	Rt							1		1	Remove modified side road sign		
74	7.182	Lt	R-10-24	24x30		5.00	12					SPEED LIMIT 55 (New location)		
75	7.237	Lt	R-10-24	24x30					1		1	Remove Speed Limit sign		
76	7.237	Lt	M-40-24	24x12		2.00	13					WEST (Old speed limit location)		
			M-2-24-2	24x24		4.00						SR-73		
77	7.242	Rt	D-1G-72	72x12	6.00		12/12		1		2	← EATON 17		
			D-1G-72	72x12	6.00				1			HAMILTON 10 →		
			D-1G-72	72x12	6.00				1			MIDDLETOWN 14 →		
	TOTALS CARRIED TO GENERAL SUMMARY													

98
270

SIGN REPLACEMENT CONTRACT

BUTLER COUNTY - SR-73

REF. NO.	S.L.M.	SIDE	CODE	SIZE	SIGN EXTRUSHEET	SIGN, FLAT SHEET TYPE "G"	GROUND MOUNTED SUPPORTS NO. 3 POST	SIGN, DOUBLE FACED MILEMARKER, TYPE G	REMOVAL OF GROUND MOUNTED SIGN & DISPOSAL	REMOVAL OF GROUND MOUNTED SIGN&RE-ERECTION	REMOVAL OF GROUND MOUNTED POST SUPPORT & DISPOSAL	REMARKS	
				INCHES	SQ.FT.	SQ. FT.	LIN. FT.	EACH	EACH	EACH	EACH		Calculated
78	7.287	Rt	R-1-30	30x30		6.25	12		1		1	STOP On Huston Road	SUBSUMMARY
79	7.287	Lt	R-1-30	30x30		6.25	12		1		1	STOP On SR-73 at US-127 (Faces EB)	
			M-40-24						1			Remove WEST sign from Stop sign	
			M-2-24-2						1			Remove SR-73 sign	
80	7.289	Lt	W-30-48	48x24		8.00	12/12		1		2	Large double arrow (Faces side street)	
81	7.295	Rt	R-1-36	36x36		9.00	12		1		1	STOP On SR-73 at US-127	
	SR-73 Overlaps US-127												
82	9.891	Lt	R-1-30	30x30		6.25	12		1		1	STOP On SR-73	BUT-4-0.00/Var
83	9.891	Rt	R-1-30	30x30		6.25	12		1		1	STOP On SR-73 (Faces WB)	
84	9.891	Rt	R-1-30	30x30		6.25	12		1		1	STOP On SR-73 (On island WB)	
85	9.891	Rt	R-2-36	36x36		9.00	13		1		1	Yield On island EB	
86	9.936	Lt	M-40-24						1		1	Remove WEST sign	
			M-2-24-2						1			Remove SR-73 sign	
			M-24-1						1			→ Remove direction sign	
87	9.956	Rt	M-39-24	24x12		2.00	12		1		1	EAST	
			M-2-24-2	24x24		4.00			1			SR-73	
	TOTALS CARRIED TO GENERAL SUMMARY												

Calculated
Checked

SUBSUMMARY

BUT-4-0.00/Var

99
270

SIGN REPLACEMENT CONTRACT

BUTLER COUNTY - SR-73

REF. NO.	S.L.M.	SIDE	CODE	SIZE	SIGN EXTRUSHEET	SIGN, FLAT SHEET TYPE "G"	GROUND MOUNTED SUPPORTS NO. 3 POST	SIGN, DOUBLE FACED MILEMARKER, TYPE G	REMOVAL OF GROUND MOUNTED SIGN & DISPOSAL	REMOVAL OF GROUND MOUNTED SIGN & RE-ERECTION	REMOVAL OF GROUND MOUNTED POST SUPPORT & DISPOSAL	REMARKS	Calculated Checked	
													INCHES	SQ. FT.
88	9.957	Lt	D-1G-72	72x12	6.00		14/14					← HAMILTON 8 (New location)		
			D-1G-72	72x12	6.00							EATON 10 →		
			D-1G-72	72x12	6.00							OXFORD 19 →		
89	9.975	Lt	D-1G-72						1		2	Remove HAMILTON 8 sign		
			D-1G-72						1			Remove EATON 10 sign		
			D-1G-72						1			Remove OXFORD 19 sign		
			D-1B-72						1			Remove HUESTON WOODS sign		
90	9.983	Rt	R-10-24	24x30		5.00	12		1		1	SPEED LIMIT 55		
91	10.000	Lt	M-2-24-2	24x24		4.00	13		1		1	SR-73		
			M-19-21	21x15		2.19						Advanced right arrow		
92	10.000	Rt	N-45-12	12x12			10	1				Mile Marker 10 (New location)		
93	10.008	Rt	W-24-30	30x30		6.25	12		1		1	Cross road		
			N-45-12						1			Remove Mile Marker 10		
94	10.019	Lt	M-17-21						1		1	Remove arrow sign		
			M-1-24-3						1			Remove SR-73 sign		
95	10.040	Lt	M-17-21	21x15		2.19	12					JCT (New location)		
			M-1-24-3	30x24		5.00						US-127		
96	10.048	Lt	W-45A-36						1		1	Remove Signal Ahead sign		
97	10.080	Lt	W-45A-36	36x36		9.00	13					Signal Ahead symbol sign		
TOTALS CARRIED TO GENERAL SUMMARY														

100
270

SIGN REPLACEMENT CONTRACT

BUTLER COUNTY - SR-73

REF. NO.	S.L.M.	SIDE	CODE	SIZE	SIGN EXTRUSHEET	SIGN, FLAT SHEET TYPE "G"	GROUND MOUNTED SUPPORTS NO. 3 POST	SIGN, DOUBLE FACED MILEMARKER, TYPE G	REMOVAL OF GROUND MOUNTED SIGN & DISPOSAL	REMOVAL OF GROUND MOUNTED SIGN&RE-ERECTION	REMOVAL OF GROUND MOUNTED POST SUPPORT & DISPOSAL	REMARKS	Calculated	Checked
													INCHES	SQ.FT.
98	10.114	Lt	M-40-24	24x12		2.00	13		1		1	WEST	SUBSUMMARY	
			M-2-24-2	24x24		4.00			1			SR-73		
99	10.127	Lt	R-1-30	30x30		12.50	2@12		2		2	STOP On Wayne Trace Road (Dual)		
100	10.127	Rt	R-1-30	30x30		6.25	12		1		2	STOP On Wayne Trace Road		
101	10.156	Rt	M-39-24	24x12		2.00	13		1		1	EAST		
			M-2-24-2	24x24		4.00			1			SR-73		
102	10.327	Lt	W-24-30	30x30		6.25	13		1		1	Cross road		
103	10.542	Rt	W-24-30	30x30		6.25	13		1		1	Cross road		
			W-143-18	18x18		2.25			1			45 MPH advisory		
104	10.575	Rt	M-17-21	21x15		2.19	13/13		1		1	JCT		BUT-4-0.00/Var
			M-2-24-3	30x24		5.00			1			SR-503		
105	10.606	Rt	D-1G-72	72x12	6.00		12/12		1		2	← WEST ELKTON 7		
			D-1G-72	72x12	6.00				1			SEVEN MILE 1 →		
106	10.696	Lt	M-40-24	24x12		2.00	12/12					WEST (New location)		
			M-2-24-2	24x24		4.00						SR-73		
107	10.719	Lt	M-2-24-3	30x24		5.00	13/13		1		1	SR-503		
			M-25-21	21x15		2.19			1			Double horizontal arrow		
108	10.728	Rt	M-2-24-3	30x24		5.00	13/13		1		1	SR-503		
			M-25-21	21x15		2.19			1			Double horizontal arrow		
TOTALS CARRIED TO GENERAL SUMMARY													101	276

SIGN REPLACEMENT CONTRACT

BUTLER COUNTY - SR-73

REF. NO.	S.L.M.	SIDE	CODE	SIZE	SIGN EXTRUSHEET	SIGN, FLAT SHEET TYPE "G"	GROUND MOUNTED SUPPORTS NO. 3 POST	SIGN, DOUBLE FACED MILEMARKER, TYPE G	REMOVAL OF GROUND MOUNTED SIGN & DISPOSAL	REMOVAL OF GROUND MOUNTED SIGN&RE-ECTION	REMOVAL OF GROUND MOUNTED POST SUPPORT & DISPOSAL	REMARKS	
				INCHES	SQ.FT.	SQ. FT.	LIN. FT.	EACH	EACH	EACH	EACH		
109	10.789	Lt	M-39-24	24x12		2.00	13/13		1		1	EAST	SUBSUMMARY
			M-2-24-2	24x24		4.00			1			SR-73	
110	10.834	Rt	W-79-30	30x30		6.25	13		1		1	SCHOOL BUS STOP	
111	10.840	Lt	D-1G-72	72x12	6.00		13/13		1		2	← SEVEN MILE 1	
			D-1G-72	72x12	6.00				1			WEST ELKTON 7 →	
112	10.891	Lt	M-17-21	21x15		2.19	13/13		1		1	JCT	
			M-2-24-3	30x24		5.00			1			SR-503	
113	10.952	Lt	W-24-30	30x30		6.25	13		1		1	Cross road	BUT-4-0.00/Var
			W-143-18	18x18		2.25			1			45 MPH advisory	
114	11.001	Rt	N-45-12	12x12			10	1				Mile Marker 11 (New location)	
115	11.019	Rt	N-45-12						1		1	Remove Mile Marker 11	
116	11.035	Rt	W-5-30	30x30		6.25	13		1		1	Right reverse curve	
			W-143-18	18x18		2.25			1			45 MPH advisory	
117	11.099	Lt	W-79-30	30x30		6.25	12		1		1	SCHOOL BUS STOP	
118	11.307	Lt	W-5-30	30x30		6.25	12		1		1	Right reverse curve	
			W-143-18	18x18		2.25			1			45 MPH advisory	
119	11.494	Rt	R-10-24	24x30		5.00	12		1		1	SPEED LIMIT 55	
120	11.671	Rt	W-24-30	30x30		6.25	12		1		1	Cross road	
	TOTALS CARRIED TO GENERAL SUMMARY												<div style="border: 1px solid black; border-radius: 50%; width: 30px; height: 30px; display: flex; align-items: center; justify-content: center; margin: 0 auto;"> 102 276 </div>

Calculated _____
 Checked _____

SIGN REPLACEMENT CONTRACT

BUTLER COUNTY - SR-73

REF. NO.	S.L.M.	SIDE	CODE	SIZE	SIGN EXTRUSHEET	SIGN, FLAT SHEET TYPE "G"	GROUND MOUNTED SUPPORTS NO. 3 POST	SIGN, DOUBLE FACED MILEMARKER, TYPE G	REMOVAL OF GROUND MOUNTED SIGN & DISPOSAL	REMOVAL OF GROUND MOUNTED SIGN&RE-ERECTION	REMOVAL OF GROUND MOUNTED POST SUPPORT & DISPOSAL	REMARKS			
				INCHES	SQ.FT.	SQ. FT.	LIN. FT.	EACH	EACH	EACH	EACH		Calculated Checked		
121	11.756	Lt	M-39-24						1		1	Remove route marker/Remove EAST sign	SUBSUMMARY		
			M-2-24-3						1			Remove SR-73 sign			
122	11.768	Lt	R-1-30	30x30		12.50	2@12		2		2	STOP On Cotton Run Road (Dual)	BUT-4-0.00/Var		
123	11.768	Rt	R-1-30	30x30		12.50	2@12		2		2	STOP On Cotton Run Road (Dual)			
124	11.780	Rt	M-40-24						1		1	Remove route marker/Remove WEST sign			
			M-2-24-2						1			Remove SR-73 sign			
125	11.890	Lt	W-24-30	30x30		6.25	13		1		1	Cross road			
126	11.978	Rt	W-5-30	30x30		6.25	13		1		1	Right reverse curve			
127	11.991	Rt	N-45-12	12x12			10	1	1		1	Mile Marker 10			
128	12.402	Lt	W-79-30	30x30		6.25	12		1		1	SCHOOL BUS STOP			
129	12.445	Lt	W-5-30	30x30		6.25	12		1		1	Right reverse curve			
130	12.471	Rt	W-1-30	30x30		6.25	12		1		1	Right curve			
131	12.743	Lt	W-2-30	30x30		6.25	12		1		1	Left curve			
132	12.785	Rt	W-79-30	30x30		6.25	12		1		1	SCHOOL BUS STOP			
133	12.821	Rt	W-26-30	30x30		6.25	12		1		1	Cross road			
			W-143-18	18x18		2.25			1			45 MPH advisory			
134	12.979	Lt	R-10-24	24x30		5.00	12		1		1	SPEED LIMIT 55			
135	13.000	Rt	N-45-12	12x12			10	1	1		1	Mile Marker 13			
	TOTALS CARRIED TO GENERAL SUMMARY												<table border="1" style="margin: auto;"> <tr> <td style="padding: 5px;">103</td> </tr> <tr> <td style="padding: 5px;">270</td> </tr> </table>	103	270
103															
270															

SIGN REPLACEMENT CONTRACT

BUTLER COUNTY - SR-73

REF. NO.	S.L.M.	SIDE	CODE	SIZE	SIGN EXTRUSHEET	SIGN, FLAT SHEET TYPE "G"	GROUND MOUNTED SUPPORTS NO. 3 POST	SIGN, DOUBLE FACED MILEMARKER, TYPE G	REMOVAL OF GROUND MOUNTED SIGN & DISPOSAL	REMOVAL OF GROUND MOUNTED SIGN&RE-ERECTION	REMOVAL OF GROUND MOUNTED POST SUPPORT & DISPOSAL	REMARKS	Calculated	Checked
				INCHES	SQ.FT.	SQ. FT.	LIN. FT.	EACH	EACH	EACH	EACH			
147	13.198	Rt	W-24-30	30x30		6.25	12		1		1	Cross road (Faces WB)	SUBSUMMARY	
			W-143-18	18x18		2.25			1			45 MPH advisory		
148	13.360	Lt	W-2-30	30x30		6.25	12		1		1	Left curve		
149	13.372	Rt	W-75-30	30x30		6.25	12		1		1	CEMETERY ENTRANCE		
150	13.460	Lt	W-79-30	30x30		6.25	12		1		1	SCHOOL BUS STOP		
151	13.582	Rt	W-79-30	30x30		6.25	12		1		1	SCHOOL BUS STOP		
152	13.630	Rt	W-5-30	30x30		6.25	12		1		1	Right reverse curve		
			W-143-18	18x18		2.25			1			40 MPH advisory		
153	13.704	Lt	W-75-30	30x30		6.25	12		1		1	CEMETERY ENTRANCE		
154	13.745	Lt	W-79-30	30x30		6.25	12		1		1	SCHOOL BUS STOP		
155	13.815 - 13.842	Rt	W-33-18	18x24		24.00	4@10		8		4	8 chevrons, 4 each direction	BUT-4-0.00/Var	
156	13.850	Lt	M-40-24						1		1	Remove route marker/Remove WEST sign		
			M-2-24-2						1			Remove SR-73 sign		
157	13.864	Rt	R-1-30	30x30		6.25	12		1		1	STOP On Wehr Road		
158	13.907	Lt	M-39-24						1		1	Remove route marker/Remove EAST sign		
			M-2-24-2						1			Remove SR-73 sign		
159	13.938	Lt	W-5-30	30x30		6.25	12		1		1	Right reverse curve		
			W-143-18	18x18		2.25			1			45 MPH advisory		
160	13.996	Lt	W-26-30	30x30		6.25	12		1		1	Side road		
	TOTALS CARRIED TO GENERAL SUMMARY													

105
270

SIGN REPLACEMENT CONTRACT

BUTLER COUNTY - SR-73

REF. NO.	S.L.M.	SIDE	CODE	SIZE	SIGN EXTRUSHEET	SIGN, FLAT SHEET TYPE "G"	GROUND MOUNTED SUPPORTS NO. 3 POST	SIGN, DOUBLE FACED MILEMARKER, TYPE G	REMOVAL OF GROUND MOUNTED SIGN & DISPOSAL	REMOVAL OF GROUND MOUNTED SIGN&RE-ERECTION	REMOVAL OF GROUND MOUNTED POST SUPPORT & DISPOSAL	REMARKS	
				INCHES	SQ.FT.	SQ. FT.	LIN. FT.	EACH	EACH	EACH	EACH		
161	14.000	Rt	N-45-12	12x12			10	1	1		1	Mile Marker 14 (New location)	SUBSUMMARY
162	14.058	Rt	N-45-12									Remove Mile Marker 14	
163	14.066	Rt	W-26-30						1		1	Remove side road sign	
164	14.164	Lt	W-82-36	36x36		9.00	13		1		1	Advance School Zone (Faces EB)	
			W-78-36	36x12		3.00			1			SCHOOL	
165	14.164	Rt	W-82-36	36x36		9.00	13		1		1	Advance School Zone	
			W-78-36	36x12		3.00			1			SCHOOL	
166	14.200	Rt	W-26-30	30x30		6.25	12					Side road (New location)	
167	14.275	Rt	W-78-24	24x8		1.33	13		1		1	SCHOOL	
			R-10-24	24x30		5.00			1			SPEED LIMIT 20	
			R-18-24	24x10		1.67			1			DURING RESTRICTED HOURS	
168	14.289	Lt	M-40-24	24x12		2.00	12		1		1	WEST	
			M-2-24-2	24x24		4.00			1			SR-73	
169	14.323	Rt	R-1-30	30x30		6.25	12		1		1	STOP On Busenbark Road	
170	14.347	Rt	M-39-24	24x12		2.00	13		1		1	EAST	
			M-2-24-2	24x24		4.00			1			SR-73	
171	14.474	Lt	W-26-30	30x30		6.25	12		1		1	Side road	
	TOTALS CARRIED TO GENERAL SUMMARY												<div style="border: 1px solid black; border-radius: 50%; padding: 5px; display: inline-block;"> 106 270 </div>

Calculated _____
 Checked _____

SUBSUMMARY

BUT-4-0.00/Var

SIGN REPLACEMENT CONTRACT

BUTLER COUNTY - SR-73

REF. NO.	S.L.M.	SIDE	CODE	SIZE	SIGN EXTRUSHEET	SIGN, FLAT SHEET TYPE "G"	GROUND MOUNTED SUPPORTS NO. 3 POST	SIGN, DOUBLE FACED MILEMARKER, TYPE G	REMOVAL OF GROUND MOUNTED SIGN & DISPOSAL	REMOVAL OF GROUND MOUNTED SIGN & RE-ERECTION	REMOVAL OF GROUND MOUNTED POST SUPPORT & DISPOSAL	REMARKS	
				INCHES	SQ.FT.	SQ. FT.	LIN. FT.	EACH	EACH	EACH	EACH		
172	14.584	Lt	W-78-24	24x8		1.33	13		1		1	SCHOOL	SUBSUMMARY
			R-10-24	24x30		5.00			1			SPEED LIMIT 20	
			R-18-24	24x10		1.67			1			DURING RESTRICTED HOURS	
173	14.655	Lt	W-82-36	36x36		9.00	13		1		1	Advance School Zone	
			W-78-36	36x12		3.00			1			SCHOOL	
174	14.655	Rt	W-82-36	36x36		9.00	13		1		1	Advance School Zone	
			W-78-36	36x12		3.00			1			SCHOOL	
	14.671 Trenton Corp.												BUT-4-0.00/Var
	Suspend Work												
	Reset Odometer on												
	Railroad Tracks												
	16.250												
	Resume Work												
175	16.675	Rt	R-10-24	24x30		5.00	13		1		1	SPEED LIMIT 35	
176	16.775	Rt	R-1-30	30x30		6.25	12		1		1	STOP On Radabaugh Road	
177	16.795	Rt	W-68-36	36x36		9.00	13		1		1	WATCH FOR ICE ON BRIDGE	
178	16.820	Rt	N-4-30	30x16		3.33	12		1		1	GREAT MIAMI RIVER	
179	16.981	Rt	R-10-24	24x30		5.00	12					SPEED LIMIT 45 MPH (New location)	
	TOTALS CARRIED TO GENERAL SUMMARY												<div style="border: 1px solid black; border-radius: 50%; width: 30px; height: 30px; display: flex; flex-direction: column; align-items: center; justify-content: center;"> 107 270 </div>

Calculated _____
Checked _____

SIGN REPLACEMENT CONTRACT

BUTLER COUNTY - SR-73

REF. NO.	S.L.M.	SIDE	CODE	SIZE	SIGN EXTRUSHEET	SIGN, FLAT SHEET TYPE "G"	GROUND MOUNTED SUPPORTS NO. 3 POST	SIGN, DOUBLE FACED MILEMARKER, TYPE G	REMOVAL OF GROUND MOUNTED SIGN & DISPOSAL	REMOVAL OF GROUND MOUNTED SIGN & RE-ERECTION	REMOVAL OF GROUND MOUNTED POST SUPPORT & DISPOSAL	REMARKS	Calculated Checked	
													SUBSUMMARY	BUT-4-0.00/Var
				INCHES	SQ.FT.	SQ. FT.	LIN. FT.	EACH	EACH	EACH	EACH			
180	16.985	Lt	N-4-30	30x16		3.33	12		1		1	GREAT MIAMI RIVER		
181	17.000	Rt	N-45-12	12x12			10	1	1		1	Mile Marker 17		
182	17.000	Rt	N-45-12						1		1	Remove Mile Marker 17		
183	17.045	Lt	W-60L-36	36x36		9.00	13		1		1	Left Lane Ends symbol		
184	17.072	Rt	R-1-30	30x30		6.25	12		1	1	1	STOP On Oxford State Road / Re-erect street name sign		
185	17.500	Lt	W-53L-36	36x36		9.00	13		1		1	LEFT LANE ENDS		
186	17.346	Rt	R-10-24	24x30		5.00	12		1		1	SPEED LIMIT 45 MPH		
187	17.497	Rt	W-75-30	30x30		6.25	12		1		1	TRUCK ENTRANCE		
188	17.655	Lt	R-10-24	24x30		5.00	12		1		1	SPEED LIMIT 45 MPH		
189	17.676	Rt	R-1-30	30x30		12.50	12/12		2	1	2	Dual Stops on Oxford State Road / Re-erect street name sign		
190	17.693	Lt	W-75-30	30x30		6.25	12		1		1	TRUCK ENTRANCE		
191	17.712	Rt	R-10-24	24x30		5.00	12		1		1	SPEED LIMIT 45 MPH		
192	17.759	Rt	W-26-30	30x30		6.25	12		1		1	Side Road		
193	17.829	Rt	RR-49-24	24x6		1.00						BEGIN (New)		
			R-48-24	24x36		6.00	12/12		1		2	CENTER LANE TWLT ONLY		
194	17.842	Lt	RP-51-24	24x6		1.00						END (New)		
			R-48-24	24x36		6.00	12/12		1		2	CENTER LANE TWLT ONLY		
195	17.848	Rt								1	1	Re-erect NO ENGINE BRAKE sign		
196	17.879	Lt	R-1-30	30x30		6.25	12		1	1	1	STOP On Locust Street / Re-erect street name sign		
TOTALS CARRIED TO GENERAL SUMMARY														

108
270

SIGN REPLACEMENT CONTRACT

BUTLER COUNTY - SR-73

REF. NO.	S.L.M.	SIDE	CODE	SIZE	SIGN EXTRUSHEET	SIGN, FLAT SHEET TYPE "G"	GROUND MOUNTED SUPPORTS NO. 3 POST	SIGN, DOUBLE FACED MILEMARKER,TYPE G	REMOVAL OF GROUND MOUNTED SIGN & DISPOSAL	REMOVAL OF GROUND MOUNTED SIGN&RE-ERECTION	REMOVAL OF GROUND MOUNTED POST SUPPORT & DISPOSAL	REMARKS	
				INCHES	SQ.FT.	SQ. FT.	LIN. FT.	EACH	EACH	EACH	EACH		Calculated Checked
197	17.926	Rt	RP-51-24	24x6		1.00						END (New sign)	SUBSUMMARY
			R-48-24	24x36		6.00	12/12		1		2	CENTER LANE TWLT ONLY	
198	17.943	Lt	RP-49-24	24x6		1.00						BEGIN (New sign)	
			R-48-24	24x36		6.00	12/12		1		2	CENTER LANE TWLT ONLY	
199	17.947	Rt	W-47-36	36x36		9.00	13		1		1	Signal Ahead symbol	
200	17.975	Lt	W-26-30	30x30		6.25	12		1		1	Side Road	
201	17.994	Lt	N-45-12						1		1	Remove Mile Marker 18	
202	18.000	Rt	N-45-12	12x12			10	1			1	Mile Marker 18 (New location)	
									2			Remove Trucks To Middletown sign	
203	18.005	Lt	R-10-24	24x30		5.00	12		1		1	SPEED LIMIT 45 MPH	
204	18.045	Rt	M-40-24	24x12		2.00	12		1		1	WEST	
			M-2-24-2	24x24		4.00			1			SR-73	
205	18.090	Rt	M-39-24	24x12		2.00	12		1		1	EAST	
			M-2-24-2	24x24		4.00			1			SR-73	
206	18.118	Lt	R-31C-48	48x30		10.00	12/12		1		2	LEFT/THRU/THRU,RT	
207	18.127	Rt	R-10-24	24x30		5.00	12		1		1	SPEED LIMIT 45 MPH	
208	18.130	Lt	R-10-24	24x30		5.00	12		1		1	SPEED LIMIT 45 MPH	
	TOTALS CARRIED TO GENERAL SUMMARY												<div style="border: 1px solid black; border-radius: 50%; padding: 5px; display: inline-block;"> 109 270 </div>

SIGN REPLACEMENT CONTRACT

BUTLER COUNTY - SR-73

REF. NO.	S.L.M.	SIDE	CODE	SIZE	SIGN EXTRUSHEET	SIGN, FLAT SHEET TYPE "G"	GROUND MOUNTED SUPPORTS NO. 3 POST	SIGN, DOUBLE FACED MILEMARKER, TYPE G	REMOVAL OF GROUND MOUNTED SIGN & DISPOSAL	REMOVAL OF GROUND MOUNTED SIGN&RE-ERECTION	REMOVAL OF GROUND MOUNTED POST SUPPORT & DISPOSAL	REMARKS	Calculated	Checked
				INCHES	SQ.FT.	SQ. FT.	LIN. FT.	EACH	EACH	EACH	EACH			
209	18.161	Rt	D-1G-72	72x12	6.00				1			MIDDLETOWN 3 (Use existing beams)	SUBSUMMARY	
			D-1G-72	72x12	6.00				1			← HAMILTON 10		
			M-38-24	24x12		2.00			1			SOUTH (Mount on top of D-1G's)		
			M-2-24-2	24x24		4.00			1			SR-4		
			M-30-21	21x15		2.19			1			Comb Vertical / 90 degree arrow		
			M-39-24	24x12		2.00			1			EAST (Mount on top of D-1G's)		
			M-2-24-2	24x24		4.00			1			SR-73		
			M-26-21	21x15		2.19			1			Vertical Arrow		
210	18.178	Rt	R-11B-24	24x30		5.00	12		1		1	REDUCED SPEED AHEAD	BUT-4-0.00/Var	
211	18.185	Lt	M-40-24	24x12		2.00	12		1		1	WEST		
			M-2-24-2	24x24		4.00			1			SR-73		
213	18.192	Rt					12			1	1	Re-erect Trucks To Middletown Keep Right		
214	18.217	Lt	R-41B-30	30x30		6.25	13		1		1	DO NOT ENTER (Faces EB)		
			W-50R-30	30x30		6.25			1			Continuous Right Lane symbol (Faces WB)		
215	18.237	Rt	M-50-66	66x24	11.00							SOUTH 4 NORTH (Use existing beams)		
												←		
216	18.257	Lt	D-1G-72	72x12	6.00							HAMILTON 10 (Use existing beams)		
217	18.269	Rt	R-36R-30	30x36		7.50	13		1		1	THROUGH TRAFFIC KEEP RIGHT		
218	18.275	Rt	N-29-24	24x24		4.00	12		1		1	H		
			N-15-24	24x6		1.00			1			→		
TOTALS CARRIED TO GENERAL SUMMARY													110	276

SIGN REPLACEMENT CONTRACT

BUTLER COUNTY - SR-73

REF. NO.	S.L.M.	SIDE	CODE	SIZE	SIGN EXTRUSHEET	SIGN, FLAT SHEET TYPE "G"	GROUND MOUNTED SUPPORTS NO. 3 POST	SIGN, DOUBLE FACED MILEMARKER, TYPE G	REMOVAL OF GROUND MOUNTED SIGN & DISPOSAL	REMOVAL OF GROUND MOUNTED SIGN & RE-ERECTION	REMOVAL OF GROUND MOUNTED POST SUPPORT & DISPOSAL	REMOVAL OF STRUCTURE MNTD SIGN & DISPOSAL	REMARKS	
				INCHES	SQ.FT.	SQ. FT.	LIN. FT.	EACH	EACH	EACH	EACH	EACH		
219	18.277	Rt	M-37-24	24x12		2.00						1	NORTH Bridge Mounted	SUBSUMMARY
			M-2-24-2	24x24		4.00						1	SR-4	
			M-20-21	21x15		2.19						1		
			M-39-24	24x12		2.00						1	EAST 1	
			M-2-24-2	24x24		4.00						1	SR-73	
			M-20-21	21x15		2.19						1		
220	18.294	Lt	M-40-24	24x12		2.00						1	WEST Bridge Mounted	BUT-4-0.00/Var
			M-2-24-2	24x24		4.00						1	SR-73	
			M-26-21	21x15		2.19						1		
			M-38-24	24x12		2.00						1	SOUTH	
			M-2-24-2	24x24		4.00						1	4	
			M-20-21	21x15		2.19						1		
221	18.295	Lt	R-10-24	24x30		5.00	12		1		1		SPEED LIMIT 45	
222	18.306	Rt	R-31Q-30	30x30		6.25	12		1		1		LT/THRU	
223	18.337	Lt	R-36L-24	24x30		5.00	12		1		1		THROUGH TRAFFIC KEEP LEFT	
224	18.358	Rt	D-1G-72	72x12	6.00				1				MIDDLETOWN 3 (Use existing beams)	
			M-37-24	24x12	2.00	2.00			1				NORTH (Mount on top of D-1G-72)	
			M-2-24-2	24x24		4.00			1				SR-4	
			M-27-21	21x15		2.19			1					
TOTALS CARRIED TO GENERAL SUMMARY														<div style="border: 1px solid black; border-radius: 50%; width: 30px; height: 30px; display: flex; align-items: center; justify-content: center; margin: 0 auto;"> 111 276 </div>

Calculated

Checked

SUBSUMMARY

BUT-4-0.00/Var

111
276

SIGN REPLACEMENT CONTRACT

BUTLER COUNTY - SR-73

REF. NO.	S.L.M.	SIDE	CODE	SIZE	SIGN EXTRUSHEET	SIGN, FLAT SHEET TYPE "G"	GROUND MOUNTED SUPPORTS NO. 3 POST	SIGN, DOUBLE FACED MILEMARKER, TYPE G	REMOVAL OF GROUND MOUNTED SIGN & DISPOSAL	REMOVAL OF GROUND MOUNTED SIGN&RE-ECTION	REMOVAL OF GROUND MOUNTED POST SUPPORT & DISPOSAL	REMARKS	Calculated	Checked
				INCHES	SQ.FT.	SQ. FT.	LIN. FT.	EACH	EACH	EACH	EACH			
224			M-39-24	24x12		2.00			1			EAST (Also mount on top of D-1G-72)	SUBSUMMARY	
			M-2-24-2	24x24		4.00			1			SR-73		
			M-27-21	21x15		2.19			1					
225	18.364	Lt	D-1G-72	72x12	6.00				1			HAMILTON 10 (Use existing beams)		
			D-1G-72	72x12	6.00				1			← MIDDLETOWN 3		
			M-37-24	24x12		2.00						NORTH (Mount on top of D-1G-72's)		
			M-2-24-2	24x24		4.00						SR-4		
			M-24-21	21x15		2.19						←		
			M-39-24	24x12		2.00						EAST (Mount on top of D-1G-72)		
			M-2-24-2	24x24		4.00						SR-73		
			M-24-21	21x15		2.19						←		
226	18.366	Lt	R-1-30	30x30		6.25	12		1		1	STOP On Variety Pky	BUT-4-0.00/Var	
227	18.367	Rt	M-37-24	24x12		2.00	13		1		1	NORTH		
			M-2-24-2	24x24		4.00			1			SR-4		
			M-24-21	21x15		2.19			1			←		
228	18.387	Rt	R-41B-30	30x30		6.25	12		1		1	DO NOT ENTER		
229	18.408	Rt	W-94-36	36x36		9.00	13		1		1	Advance Railroad Crossing		
	TOTALS CARRIED TO GENERAL SUMMARY													

SIGN REPLACEMENT CONTRACT

BUTLER COUNTY - SR-73

REF. NO.	S.L.M.	SIDE	CODE	SIZE	SIGN EXTRUSHEET	SIGN, FLAT SHEET TYPE "G"	GROUND MOUNTED SUPPORTS NO. 3 POST	SIGN, DOUBLE FACED MILEMARKER, TYPE G	REMOVAL OF GROUND MOUNTED SIGN & DISPOSAL	REMOVAL OF GROUND MOUNTED SIGN&RE-ERECTION	REMOVAL OF GROUND MOUNTED POST SUPPORT & DISPOSAL	REMOVAL OF STRUCTURE MNTD SIGN & DISPOSAL	REMARKS	Calculated	Checked
				INCHES	SQ.FT.	SQ. FT.	LIN. FT.	EACH	EACH	EACH	EACH	EACH		SUBSUMMARY	
230	18.432	Lt	M-17-21	21x15		2.19	13		1		1		JCT (Rack assembly)		
			M-2-24-2	24x24		4.00			1				SR-4		
			M-17-21	21x15		2.19			1				JCT		
			M-2-24-2	24x24		4.00			1				SR-73		
TOTALS CARRIED TO GENERAL SUMMARY						139.00	1343.09	2823	12	316	12	233	12		

113
270

SIGN REPLACEMENT CONTRACT

BUTLER COUNTY - SR-122

REF. NO.	S.L.M.	SIDE	CODE	SIZE	SIGN EXTRUSHEET	SIGN, FLAT SHEET TYPE "G"	GROUND MOUNTED SUPPORTS NO. 3 POST	SIGN, DOUBLE FACED MILEMARKER, TYPE G	REMOVAL OF GROUND MOUNTED SIGN & DISPOSAL	REMOVAL OF GROUND MOUNTED SIGN & RE-ERECTION	REMOVAL OF GROUND MOUNTED POST SUPPORT & DISPOSAL	REMARKS	
				INCHES	SQ.FT.	SQ. FT.	LIN. FT.	EACH	EACH	EACH	EACH		Calculated
1	0.000	Rt	N-2-40	40x20		5.56	12/12		1		2	ENTER BUTLER CO / LEAVE PREBLE CO	SUBSUMMARY
			N-1A-40	40x20		5.56			1			WAYNE TOWNSHIP LIMIT	
2	0.000	Rt	N-45-12	12x12			10	1	1			Mile Marker 0 (Separate posts)	
3	0.026	Rt	W-76D-30	30x30		6.25	13		1		1	Deer Crossing symbol	
4	0.065	Rt	R-10-24	24x30		5.00	12					SPEED LIMIT 55 (New location)	
5	0.415	Rt	W-9-30	30x30		6.25	13		1		1	Right winding road	
			W-143-18	18x18		2.25			1			30 MPH advisory	
6	0.415	Lt	W-9-30	30x30		6.25	13		1		1	Right winding road (Faces EB)	
			W-143-18	18x18		2.25			1			30 MPH advisory	
7	0.477	Rt	W-26-30	30x30		6.25	13		1		1	Side road	
			W-143-18	18x18		2.25			1			30 MPH advisory	
8	0.477	Lt	W-26-30	30x30		6.25	13		1		1	Side road (Faces EB)	
			W-143-18	18x18		2.25			1			30 MPH advisory	
9	0.527	Rt	W-80-30	30x30		6.25	12		1		1	SCHOOL BUS TURN	
10	0.573	Lt	M-40-24	24x12		2.00	13		1		1	WEST	
			M-2-24-3	30x24		5.00			1			SR-122	
11	0.591	Rt	R-1-30	30x30		6.25	12		1		1	STOP On Stubbs Road	
12	0.604	Rt	M-39-24	24x12		2.00	13		1		1	EAST	
			M-2-24-3	30x24		5.00			1			SR-122	
	TOTALS CARRIED TO GENERAL SUMMARY												114 270

Calculated
Checked

SUBSUMMARY

BUT-4-0.00/Var

114
270

SIGN REPLACEMENT CONTRACT

BUTLER COUNTY - SR-122

REF. NO.	S.L.M.	SIDE	CODE	SIZE	SIGN EXTRUSHEET	SIGN, FLAT SHEET TYPE "G"	GROUND MOUNTED SUPPORTS NO. 3 POST	SIGN, DOUBLE FACED MILEMARKER, TYPE G	REMOVAL OF GROUND MOUNTED SIGN & DISPOSAL	REMOVAL OF GROUND MOUNTED SIGN&RE-ERECTION	REMOVAL OF GROUND MOUNTED POST SUPPORT & DISPOSAL	REMARKS	Calculated	Checked
				INCHES	SQ.FT.	SQ. FT.	LIN. FT.	EACH	EACH	EACH	EACH			
13	0.619 - 0.728	Rt	W-33-18	18x24		60.00	10@12		10		20	20 chevrons, 10 each direction	SUBSUMMARY	
14	0.642	Rt	W-2-30	30x30		6.25	12		1		1	Left curve		
			W-143-18	18x18		2.25			1			30 MPH advisory		
15	0.694	Lt	W-26-30	30x30		6.25	13		1		1	Side road		
			W-143-18	18x18		2.25			1			30 MPH advisory		
16	0.694	Rt	W-26-30	30x30		6.25	13		1		1	Side road (Faces WB)		
			W-143-18	18x18		2.25			1			30 MPH advisory		
17	0.787	Lt	W-9-30	30x30		6.25	13		1		1	Right winding road		
			W-143-18	18x18		2.25			1			30 MPH advisory		
18	0.796	Rt	W-1-30	30x30		6.25	13		1		1	Right curve		BUT-4-0.00/Var
			W-143-18	18x18		2.25			1			35 MPH advisory		
19	0.823	Lt	W-79-30	30x30		6.25	13		1		1	SCHOOL BUS STOP		
20	0.888	Rt	W-13-30	30x30		6.25	13		1		1	Right turn		
			W-143-18	18x18		2.25			1			30 MPH advisory		
21	0.973 - 0.983	Lt	W-33-18	18x24		48.00	8@10		16		8	16 chevrons, 8 each direction		
22	0.976	Lt	W-32-48	48x24		8.00	12/12		1		2	Large arrow (Facing WB)		
23	0.978	Rt	W-32-48	48x24		8.00	12/12		1		2	Large arrow (Facing EB)		
24	0.983	Rt	N-45-12						1		1	Remove Mile Marker 1		
25	1.000	Rt	N-45-12	12x12			10	1				Mile Marker 1 (New location)		
	TOTALS CARRIED TO GENERAL SUMMARY												115 270	

SIGN REPLACEMENT CONTRACT

BUTLER COUNTY - SR-122

REF. NO.	S.L.M.	SIDE	CODE	SIZE	SIGN EXTRUSHEET	SIGN, FLAT SHEET TYPE "G"	GROUND MOUNTED SUPPORTS NO. 3 POST	SIGN, DOUBLE FACED MILEMARKER, TYPE G	REMOVAL OF GROUND MOUNTED SIGN & DISPOSAL	REMOVAL OF GROUND MOUNTED SIGN&RE-ERECTION	REMOVAL OF GROUND MOUNTED POST SUPPORT & DISPOSAL	REMARKS	Calculated	Checked
				INCHES	SQ.FT.	SQ. FT.	LIN. FT.	EACH	EACH	EACH	EACH			
26	1.122	Rt	W-26-30	30x30		6.25	12		1		1	Side road	SUBSUMMARY	
27	1.176	Lt	W-14-30	30x30		6.25	13		1		1	Left turn		
			W-143-18	18x18		2.25			1			30 MPH advisory		
28	1.176	Rt	W-14-30	30x30		6.25	13		1		1	Left turn (Faces WB)		
			W-143-18	18x18		2.25			1			30 MPH advisory		
29	1.205	Lt	M-40-24						1		1	Remove route marker		
			M-2-24-3						1			SR-122		
30	1.222	Rt	R-1-30	30x30		6.25	12		1	1	1	STOP On Gingrich Road / re-erect street name		
31	1.222	Lt	M-2-24-3						1		1	Remove route marker		
			M-25-21						1					
			W-30-48	48x24		8.00	13/13		1			Large double arrow	BUT-4-0.00/Var	
32	1.236	Rt	M-39-24						1		1	Remove route marker		
			M-2-24-3						1			SR-122		
33	1.304	Lt	W-26-30	30x30		6.25	12		1		1	Replace School Bus Turn with side road sign		
34	1.342	Lt	W-80-30	30x30		6.25	12					SCHOOL BUS TURN (New location)		
35	1.699	Rt	W-2-30	30x30		6.25	13		1		1	Left curve		
			W-143-18	18x18		2.25			1			45 MPH advisory		
36	1.891	Lt	W-1-30	30x30		6.25	13		1		1	Right curve		
			W-143-18	18x18		2.25			1			45 MPH advisory		
	TOTALS CARRIED TO GENERAL SUMMARY													

116
270

SIGN REPLACEMENT CONTRACT

BUTLER COUNTY - SR-122

REF. NO.	S.L.M.	SIDE	CODE	SIZE	SIGN EXTRUSHEET	SIGN, FLAT SHEET TYPE "G"	GROUND MOUNTED SUPPORTS NO. 3 POST	SIGN, DOUBLE FACED MILEMARKER, TYPE G	REMOVAL OF GROUND MOUNTED SIGN & DISPOSAL	REMOVAL OF GROUND MOUNTED SIGN&RE-ERECTION	REMOVAL OF GROUND MOUNTED POST SUPPORT & DISPOSAL	REMARKS	
				INCHES	SQ.FT.	SQ. FT.	LIN. FT.	EACH	EACH	EACH	EACH		Calculated Checked
37	1.980	Rt	N-1A-40	40x20		5.56	12/12		1		2	WAYNE TOWNSHIP LIMIT	SUBSUMMARY
38	1.995	Rt	N-45-12	12x12			10	1	1		1	Mile Marker 2	
39	2.052	Lt	W-1-30	30x30		6.25	13		1		1	Right curve	
40	2.115	Lt	R-1-30	30x30		6.25	12		1	1	1	STOP On Norma Road / re-erect street name sign	
41	2.146	Rt	W-14-30	30x30		6.25	13		1		1	Left turn (Faces EB)	
			W-143-18	18x18		2.25			1			20 MPH advisory	
42	2.146	Lt	W-14-30	30x30		6.25	13		1		1	Left turn	
			W-143-18	18x18		2.25			1			20 MPH advisory	
43	2.163	Lt	D-6-60	60x30		12.50	12/12		1		2	GRATIS 8	
												EATON 17	
44	2.214	Rt	M-17-21	21x15		2.19	13		1		1	JCT	BUT-4-0.00/Var
			M-2-24-3	30x24		5.00			1			SR-744	
			M-19-21						1			Remove advanced turn sign	
45	2.261	Rt	D-1G-72	72x12	6.00		12/12		1		2	JACKSONBURG 2 →	
46	2.268	Lt	M-40-24	24x12		2.00	13					WEST (New location)	
			M-2-24-3	30x24		5.00						SR-122	
47	2.285	Lt	R-1-30	30x30		6.25	12		1	1	1	STOP On Renee Drive / re-erect street name sign	
	TOTALS CARRIED TO GENERAL SUMMARY												<div style="border: 1px solid black; border-radius: 50%; width: 30px; height: 30px; display: flex; flex-direction: column; align-items: center; justify-content: center;"> 117 270 </div>

SIGN REPLACEMENT CONTRACT

BUTLER COUNTY - SR-122

REF. NO.	S.L.M.	SIDE	CODE	SIZE	SIGN EXTRUSHEET	SIGN, FLAT SHEET TYPE "G"	GROUND MOUNTED SUPPORTS NO. 3 POST	SIGN, DOUBLE FACED MILEMARKER, TYPE G	REMOVAL OF GROUND MOUNTED SIGN & DISPOSAL	REMOVAL OF GROUND MOUNTED SIGN & RE-ERECTION	REMOVAL OF GROUND MOUNTED POST SUPPORT & DISPOSAL	REMARKS	Calculated	Checked	
				INCHES	SQ.FT.	SQ. FT.	LIN. FT.	EACH	EACH	EACH	EACH		SUBSUMMARY		
48	2.431	Lt	M-2-24-3	30x24		5.00	13		1		1	SR-744 (Assembly installation)			
			M-26-21	21x15		2.19			1			Vertical arrow			
			M-2-24-3	30x24		5.00			1		1	SR-122			
			M-27-21	21x15		2.19			1			45 degree right arrow			
49	2.452	Rt	M-39-24	24x12		2.00	12		1		1	EAST			
			M-2-24-3	30x24		5.00			1			SR-122			
50	2.491	Lt	D-1G-72	72x12	6.00		12/12		1		2	↑ JACKSONBURG 2			
51	2.526	Rt	R-11B-24	24x30		5.00	12		1		1	REDUCED SPEED AHEAD			
52	2.550	Rt	W-24-30	30x30		6.25	13		1		1	Cross road			
53	2.550	Lt	W-24-30	30x30		6.25	13		1		1	Cross road (Faces EB)			
54	2.560	Lt	W-13-30	30x30		6.25	13		1		1	Right turn			
			W-143-18	18x18		2.25			1			25 MPH advisory			
55	2.560	Rt	W-13-30	30x30		6.25	13		1		1	Right turn			
			W-143-18	18x18		2.25			1			25 MPH advisory (Faces WB)			
56	2.619	Lt	M-17-21	21x15		2.19	12		1		1	JCT			
			M-2-24-3	30x24		5.00			1			SR-744			
57	2.663	Lt	M-40-24	24x12		2.00	13		1		1	WEST			
			M-2-24-3	30x24		5.00			1			SR-122			
	TOTALS CARRIED TO GENERAL SUMMARY														

118
270

SIGN REPLACEMENT CONTRACT

BUTLER COUNTY - SR-122

REF. NO.	S.L.M.	SIDE	CODE	SIZE	SIGN EXTRUSHEET	SIGN, FLAT SHEET TYPE "G"	GROUND MOUNTED SUPPORTS NO. 3 POST	SIGN, DOUBLE FACED MILEMARKER, TYPE G	REMOVAL OF GROUND MOUNTED SIGN & DISPOSAL	REMOVAL OF GROUND MOUNTED SIGN&RE-ERECTION	REMOVAL OF GROUND MOUNTED POST SUPPORT & DISPOSAL	REMARKS	
				INCHES	SQ.FT.	SQ. FT.	LIN. FT.	EACH	EACH	EACH	EACH		Calculated
58	2.688	Rt	R-1-30	30x30		12.50	2@12		2		2	STOP On Elk Creek Road (Dual Stops)	SUBSUMMARY
59	2.688	Lt	R-1-30	30x30		12.50	2@12		2		2	STOP On Elk Creek Road (Dual Stops)	
60	2.705	Rt	M-39-24	24x12		2.00	13		1		1	EAST	
			M-2-24-3	30x24		5.00			1			SR-122	
61	2.717	Lt	R-10-24	24x30		5.00	13		1		1	SPEED LIMIT 55	
62	2.729	Rt	R-10-24	24x30		5.00	13		1		1	SPEED LIMIT 45	
63	2.772	Rt	W-79-30	30x30		6.25	13		1		1	SCHOOL BUS STOP	
64	2.820	Lt	W-24-30	30x30		6.25	13		1		1	Cross road	
65	2.862	Rt	W-1-30	30x30		6.25	13		1		1	Right curve	
66	2.996	Rt	N-45-12	12x12			10	1	1		1	Mile Marker 3	
67	2.998	Lt	W-79-30	30x30		6.25	13		1		1	SCHOOL BUS STOP	BUT-4-0-00/Var
68	3.010	Lt	M-40-24						1		1	Remove route marker direction sign	
			M-2-24-3						1			Remove SR-122 sign	
69	3.017	Lt	R-1-30	30x30		6.25	12		1	1	1	STOP On Hursh Road / re-erect street name sign	
70	3.036	Rt	M-39-24						1		1	Remove route marker direction sign	
			M-2-24-2						1			Remove SR-122 sign	
71	3.048	Lt	R-10-24	24x30		5.00	13		1		1	SPEED LIMIT 45	
72	3.048	Rt	R-10-24	24x30		5.00	13		1		1	SPEED LIMIT 45	
73	3.097	Rt					12/12			1	2	Re-erect Adopt-A-Hwy sign	
	TOTALS CARRIED TO GENERAL SUMMARY												119 270

SIGN REPLACEMENT CONTRACT

BUTLER COUNTY - SR-122

REF. NO.	S.L.M.	SIDE	CODE	SIZE	SIGN EXTRUSHEET	SIGN, FLAT SHEET TYPE "G"	GROUND MOUNTED SUPPORTS NO. 3 POST	SIGN, DOUBLE FACED MILEMARKER, TYPE G	REMOVAL OF GROUND MOUNTED SIGN & DISPOSAL	REMOVAL OF GROUND MOUNTED SIGN&RE-ERECTION	REMOVAL OF GROUND MOUNTED POST SUPPORT & DISPOSAL	REMARKS	Calculated	Checked
				INCHES	SQ.FT.	SQ. FT.	LIN. FT.	EACH	EACH	EACH	EACH			
74	3.128	Rt	W-5-30	30x30		6.25	13		1		1	Right reverse curve	SUBSUMMARY	
			W-143-18	18x18		2.25			1			35 MPH advisory		
75	3.267	Rt	W-79-30	30x30		6.25	12		1		1	SCHOOL BUS STOP		
76	3.279	Rt	W-26-30	30x30		6.25	12		1		1	Side road		
77	3.289	Lt	R-10-24	24x30		5.00	12		1		1	SPEED LIMIT 45		
78	3.352	Lt	R-1-30	30x30		6.25	13		1	1	1	STOP On Beverly Lane / re-erect street name sign		
79	3.374	Rt	W-5-30	30x30		6.25	13		1		1	Right reverse curve		
			W-143-18	18x18		2.25			1			40 MPH advisory		
80	3.425	Lt	W-5-30	30x30		6.25	13		1		1	Right reverse curve		
			W-143-18	18x18		2.25			1		1	40 MPH advisory		
81	3.501	Rt	R-1-30	30x30		6.25	12		1	1	1	STOP On Nichale Road / re-erect street name sign	BUT-4-0.00/Var	
82	3.542	Rt	M-39-24						1		1	Remove route marker direction sign		
			M-2-24-3						1			Remove SR-122 sign		
83	3.612	Lt	W-26B-30	30x30		6.25	13		1		1	45 degree side road		
			W-143-18	18x18		2.25			1			40 MPH advisory		
84	3.670	Lt	W-5-30	30x30		6.25	13		1		1	Right reverse curve		
			W-143-18	18x18		2.25			1			40 MPH advisory		
85	3.728	Rt	W-2-30	30x30		6.25	13		1		1	Left curve		
			W-143-18	18x18		2.25			1			40 MPH advisory		
TOTALS CARRIED TO GENERAL SUMMARY														

120
270

SIGN REPLACEMENT CONTRACT

BUTLER COUNTY - SR-122

REF. NO.	S.L.M.	SIDE	CODE	SIZE	SIGN EXTRUSHEET	SIGN, FLAT SHEET TYPE "G"	GROUND MOUNTED SUPPORTS NO. 3 POST	SIGN, DOUBLE FACED MILEMARKER, TYPE G	REMOVAL OF GROUND MOUNTED SIGN & DISPOSAL	REMOVAL OF GROUND MOUNTED SIGN&RE-ERECTION	REMOVAL OF GROUND MOUNTED POST SUPPORT & DISPOSAL	REMARKS	Calculated	Checked
				INCHES	SQ.FT.	SQ. FT.	LIN. FT.	EACH	EACH	EACH	EACH			
86	3.787	Rt	W-24-30	30x30		6.25	13		1		1	Cross road		
87	3.806 - 3.826	Rt	W-33-18	18x24		24.00	4@12		8		4	8 chevrons, 4 each direction		
89	3.806	Rt	R-10-24	24x30		5.00	13		1		1	SPEED LIMIT 45		
90	3.806	Lt	R-10-24	24x30		5.00	13		1		1	SPEED LIMIT 45		
91	3.815	Rt	W-75-30	30x30		6.25	13		1		1	LIFE SQUAD ENTRANCE		
92	3.886	Lt	R-1-30	30x30		6.25	12		1	1	1	STOP On Mosiman Road / re-erect street name sign		
93	3.886	Rt	R-1-30	30x30		12.50	12/12		2	1	2	Dual Stops on Mosiman Road / re-erect street name sign		
94	3.902	Lt	W-1-30	30x30		6.25	13		1		1	Right curve		
			W-143-18	18x18		2.25			1			35 MPH advisory		
95	3.914	Rt					12/12			1	2	Re-erect Adopt-A-Hwy sign		
			N-45-12						1			Remove Mile Marker 4		
96	3.932	Rt	W-82-30	30x30		6.25	12		1		1	Advanced School symbol		
			W-78-30	30x10		2.08			1			SCHOOL		
97	3.979	Lt	W-24-30	30x30		6.25	13		1		1	Cross road		
			D-8Y-44	44x18		5.50			1			MOSIMAN RD		
98	3.990	Rt	N-45-12	12x12			10	1				Mile Marker 4 (New location)		
99	4.101	Rt	R-31Q-30	30x30		6.25	12		1		1	LT / THU		
100	4.155	Rt	R-31Q-30	30x30		6.25	12					LT / THU (New location)		
	TOTALS CARRIED TO GENERAL SUMMARY												121	276

SUBSUMMARY

BUT-4-0.00/Var

121
276

SIGN REPLACEMENT CONTRACT

BUTLER COUNTY - SR-122

REF. NO.	S.L.M.	SIDE	CODE	SIZE	SIGN EXTRUSHEET	SIGN, FLAT SHEET TYPE "G"	GROUND MOUNTED SUPPORTS NO. 3 POST	SIGN, DOUBLE FACED MILEMARKER, TYPE G	REMOVAL OF GROUND MOUNTED SIGN & DISPOSAL	REMOVAL OF GROUND MOUNTED SIGN&RE-ERECTION	REMOVAL OF GROUND MOUNTED POST SUPPORT & DISPOSAL	REMARKS	
				INCHES	SQ.FT.	SQ. FT.	LIN. FT.	EACH	EACH	EACH	EACH		Calculated Checked
101	4.289	Lt	W-82-30	30x30		6.25	12		1		1	Advanced School symbol	SUBSUMMARY
			W-78-30	30x10		2.08			1			SCHOOL	
102	4.351	Lt	R-10-24	24x30		5.00	12		1		1	SPEED LIMIT 45	
103	4.362	Rt	R-10-24	24x30		5.00	12		1		1	SPEED LIMIT 45	
104	4.425	Rt	R-1-30	30x30		6.25	12		1	1	1	STOP On Knoll Lane/re-erect street name sign	
105	4.499	Rt	W-1-30 Mod	30x30		6.25	12		1		1	Right curve / left side street	
			D-8Y-48	48x18		6.00			1			WEST ALEXANDRIA RD	
106	4.528	Rt	W-75-30	30x30		6.25	12		1		1	CHURCH ENTRANCE	
107	4.556	Rt	R-31Q-30	30x30		6.25	12		1		1	LT / THU	
108	4.577	Lt	M-40-24	24x12		2.00	13		1		1	WEST	
			M-2-24-3	30x24		5.00			1			SR-122	BUT-4-0.00/Var
109	4.597	Rt	R-31Q-30	30x30		6.25	12		1		1	LT / THU (New location)	
110	4.607	Lt	R-1-30	30x30		6.25	13		1	1	1	STOP On W. Alexander Road / re-erect street name sign	
111	4.642	Rt	M-39-24	24x12		2.00	12		1		1	EAST	
			M-2-24-3	30x24		5.00			1			SR-122	
112	4.688	Lt	R-33-24	24x30		5.00	12		1		1	DO NOT PASS	
113	4.733	Lt	W-2-30 Mod	30x30		6.25	12		1		1	Left curve / right side street	
			D-8Y-48	48x18		6.00			1			WEST ALEXANDRIA RD	
114	4.798	Rt	W-76D-30	30x30		6.25	12		1		1	Deer Crossing symbol	
	TOTALS CARRIED TO GENERAL SUMMARY												

SIGN REPLACEMENT CONTRACT

BUTLER COUNTY - SR-122

REF. NO.	S.L.M.	SIDE	CODE	SIZE	SIGN EXTRUSHEET	SIGN, FLAT SHEET TYPE "G"	GROUND MOUNTED SUPPORTS NO. 3 POST	SIGN, DOUBLE FACED MILEMARKER,TYPE G	REMOVAL OF GROUND MOUNTED SIGN & DISPOSAL	REMOVAL OF GROUND MOUNTED SIGN&RE-ERECTION	REMOVAL OF GROUND MOUNTED POST SUPPORT & DISPOSAL	REMARKS	
				INCHES	SQ.FT.	SQ. FT.	LIN. FT.	EACH	EACH	EACH	EACH		Calculated Checked
115	4.866	Lt	W-60L-36	36x36		9.00	13		1		1	Left Lane Ends symbol	SUBSUMMARY
116	4.923	Lt	W-53L-36	36x36		9.00	13		1		1	LEFT LANE ENDS	
117	4.979	Rt	N-45-12						1		1	Remove Mile Marker 5	
118	5.010	Rt	N-45-12	12x12			10	1				Mile Marker 5 (New location)	
119	5.040	Rt	R-10-24	24x30		5.00	12		1		1	SPEED LIMIT 45	
120	5.040	Lt	R-10-24	24x30		5.00	12		1		1	SPEED LIMIT 45	
121	5.271	Rt	W-82-30						1		1	Remove advance school signs	
			W-78-30						1				
122	5.380	Lt	R-10-24	24x30		5.00	12		1		1	SPEED LIMIT 45	
123	5.391	Rt	R-10-24	24x30		5.00	12		1		1	SPEED LIMIT 45	
124	5.447	Rt	R-121-24	24x24		4.00	13		1		1	No Left Turn symbol	BUT-4-0.00/Var
125	5.477	Lt	R-1-30	30x30		6.25	13		1	1	1	STOP On Hill St/re-erect street name sign	
			R-121-24	24x24		4.00			1			No Left Turn symbol	
126	5.490	Rt	R-121-24	24x24		4.00	13		1		1	No Left Turn symbol	
127	5.493	Lt	R-121-24	24x24		4.00	12		1		1	No Left Turn symbol	
128	5.496	Lt	R-121-24	24x24		4.00	13		1		1	No Left Turn symbol	
129	5.536	Rt	W-79-30	30x30		6.25	12		1		1	SCHOOL BUS STOP	
130	5.575	Rt	W-24-30	30x30		6.25	12		1		1	Cross road	
			W-143-18	18x18		2.25			1			30 MPH advisory	
TOTALS CARRIED TO GENERAL SUMMARY													<div style="border: 1px solid black; border-radius: 50%; padding: 5px; display: inline-block;"> 123 270 </div>

SIGN REPLACEMENT CONTRACT

BUTLER COUNTY - SR-122

REF. NO.	S.L.M.	SIDE	CODE	SIZE	SIGN EXTRUSHEET	SIGN, FLAT SHEET TYPE "G"	GROUND MOUNTED SUPPORTS NO. 3 POST	SIGN, DOUBLE FACED MILEMARKER, TYPE G	REMOVAL OF GROUND MOUNTED SIGN & DISPOSAL	REMOVAL OF GROUND MOUNTED SIGN&RE-ERECTION	REMOVAL OF GROUND MOUNTED POST SUPPORT & DISPOSAL	REMARKS	
				INCHES	SQ.FT.	SQ. FT.	LIN. FT.	EACH	EACH	EACH	EACH		Calculated
131	5.587	Lt	R-10-24	24x30		5.00	12		1		1	SPEED LIMIT 45	SUBSUMMARY
132	5.638	Lt	W-76D-30	30x30		6.25	12		1		1	Deer Crossing symbol	
133	5.651	Rt	R-31Q-30	30x30		6.25	12		1		1	LT / THU	
134	5.662	Lt	R-1-30	30x30		6.25	12		1	1	1	STOP On Hill St/re-erect street name sign	
135	5.662	Rt	R-1-30	30x30		6.25	12		1	1	1	STOP On Emerick Rd/re-erect street name sign	
136	5.667	Lt	R-31Q-30	30x30		6.25	12		1		1	LT / THU	
137	5.675	Rt					12			1	1	Re-erect Drinking Water sign	
138	5.678	Lt	W-82-30						1		1	Remove advance school crossing	
			W-78-30						1				
139	5.685	Lt	M-40-24						1		1	Remove route marker direction sign	
			M-2-24-3						1			Remove SR-122 sign	BUT-4-0.00/Var
140	5.695	Rt	R-31A-36	36x30		7.50	12		1		1	LT / THU, RT	
141	5.704	Lt	R-1-30	30x30		6.25	12		1	1	1	STOP On Vine St/re-erect street name sign	
142	5.711	Rt	R-1-30	30x30		12.50	2@12		2		2	Dual Stops on side street	
143	5.719	Lt	R-31A-36	36x30		7.50	12		1		1	LT / THU, RT	
144	5.746	Rt	W-94-36	36x36		9.00	13		1		1	Advanced Railroad Crossing	
145	5.765	Rt	R-31A-36	36x30		7.50	12		1		1	LT / THU, RT	
146	5.775	Lt	R-1-30	30x30		12.50	2@12		2		2	Dual Stops on Trenton Franklin Rd.	
147	5.775	Rt	R-1-30	30x30		6.25	12		1		1	STOP On Trenton Franklin Rd.	
	TOTALS CARRIED TO GENERAL SUMMARY												<div style="border: 1px solid black; border-radius: 50%; padding: 5px; display: inline-block;"> 124 270 </div>

Calculated

 Checked

SIGN REPLACEMENT CONTRACT

BUTLER COUNTY - SR-122

REF. NO.	S.L.M.	SIDE	CODE	SIZE	SIGN EXTRUSHEET	SIGN, FLAT SHEET TYPE "G"	GROUND MOUNTED SUPPORTS NO. 3 POST	SIGN, DOUBLE FACED MILEMARKER, TYPE G	REMOVAL OF GROUND MOUNTED SIGN & DISPOSAL	REMOVAL OF GROUND MOUNTED SIGN&RE-ERECTION	REMOVAL OF GROUND MOUNTED POST SUPPORT & DISPOSAL	REMARKS	Calculated Checked	SUBSUMMARY			
															INCHES	SQ.FT.	SQ. FT.
148	5.837	Lt							1		1	Remove School Bus Loading, State Law		SUBSUMMARY			
149	5.867	Lt	N-1A-40	40x20		5.56	12/12		1		2	MADISON TOWNSHIP LIMIT					
150	5.883	Lt	W-94-36	36x36		9.00	13		1		1	Advanced railroad crossing					
151	5.952	Lt							1		1	Remove Seat Belt State Law sign					
152	5.998	Lt					12/12			1	2	Re-erect Adopt-A-Hwy sign					
153	5.998	Rt	N-45-12	12x12			10	1	1		1	Mile Marker 6					
154	6.158	Rt	N-1-40	40x20		5.56	13/13		1	2	2	MIDDLETOWN CORPORATION LIMIT					
												Re-erect 2 other signs					
														BUT-4-0.00/Var			
TOTALS CARRIED TO GENERAL SUMMARY									12.00	1043.47	2170	7	235	19	193		

125
270

SIGN REPLACEMENT CONTRACT

BUTLER COUNTY - SR-126

REF. NO.	S.L.M.	SIDE	CODE	SIZE	SIGN EXTRUSHEET	SIGN, FLAT SHEET TYPE "G"	GROUND MOUNTED SUPPORTS NO. 3 POST	SIGN, DOUBLE FACED MILEMARKER, TYPE G	REMOVAL OF GROUND MOUNTED SIGN & DISPOSAL	REMOVAL OF GROUND MOUNTED SIGN&RE-ERECTION	REMOVAL OF GROUND MOUNTED POST SUPPORT & DISPOSAL	REMARKS	
				INCHES	SQ.FT.	SQ. FT.	LIN. FT.	EACH	EACH	EACH	EACH		Calculated
1	0.000	Rt	N-45-12	12x12			9	1	1		1	Mile Marker 0	SUBSUMMARY
2	0.011	Rt	N-3-60	60x30		12.50	12/12		1		2	WELCOME TO OHIO	
3	0.011	Lt	R-10-24	24x30		5.00	12		1		1	SPEED LIMIT 55	
4	0.026	Rt	D-1G-72	72x12	6.00		12/13		1		2	HAMILTON 15	
			D-1G-72	72x12	6.00				1			CINCINNATI 30	
5	0.043	Lt	M-2-24-3	30x24		5.00	13		1		1	SR-129 (Install on assembly)	
			M-28-21	21x15		2.19			1			45 degree Left Arrow	
			M-2-24-3	30x24		5.00			1			SR-126	
			M-27-21	21x15		2.19			1			45 degree Right Arrow	
6	0.049	Rt	M-39-24	24x12		2.00	12		1		1	EAST (Install on assembly)	
			M-2-24-3	30x24		5.00			1			SR-126	
7	0.056	Lt	M-14-24	24x12		2.00	13		1		1	END	
			M-2-24-3	30x24		5.00			1			SR-126	
			M-2-24-3	30x24		5.00			1			SR-129	
			M-24-21	21x15		2.19			1			Horizontal arrow	
8	0.092	Rt	R-84-30						1		1	Remove Stop For School Bus State Law sign	
9	0.099	Lt	D-1G-72	72x12	6.00		12/12		1		1	↑ BROOKVILLE	
			D-1G-72	72x12	6.00				1			MILLVILLE 9 →	
10	0.108	Lt	N-1B-40	40x20		5.56	10/10		1		2	SCIPIO	
11	0.146	Rt	W-26A-30	30x30		6.25	12		1		1	45 degree Side Road	
	TOTALS CARRIED TO GENERAL SUMMARY												126 270

Calculated
Checked

SUBSUMMARY

BUT-4-0.00/Var

126
270

SIGN REPLACEMENT CONTRACT

BUTLER COUNTY - SR-126

REF. NO.	S.L.M.	SIDE	CODE	SIZE	SIGN EXTRUSHEET	SIGN, FLAT SHEET TYPE "G"	GROUND MOUNTED SUPPORTS NO. 3 POST	SIGN, DOUBLE FACED MILEMARKER,TYPE G	REMOVAL OF GROUND MOUNTED SIGN & DISPOSAL	REMOVAL OF GROUND MOUNTED SIGN&RE-ERECTION	REMOVAL OF GROUND MOUNTED POST SUPPORT & DISPOSAL	REMARKS			
				INCHES	SQ.FT.	SQ. FT.	LIN. FT.	EACH	EACH	EACH	EACH		Calculated Checked		
23	1.630	Lt	M-40-24						1		1	Remove route marker direction sign	SUBSUMMARY		
			M-2-24-3						1			Remove SR-126 sign			
24	1.665	Lt	R-1-30	30x30		6.25	12		1		1	STOP on California Road			
25	1.665	Rt	R-1-30	30x30		12.50	2@12		2		2	STOP on California Road			
26	1.681	Rt	M-39-24						1		1	Remove route marker direction sign			
			M-2-24-3						1			Remove SR-126 sign			
27	1.763	Lt	W-24-30	30x30		6.25	13		1		1	Cross road	BUT-4-0.00/Var		
28	1.985	Rt	N-45-12	12x12			10	1	1		1	Mile Marker 2			
29	2.208	Rt	W-9-30	30x30		6.25	12		1		1	Winding road			
			W-143-18	18x18		2.25			1			30 MPH advisory			
30	2.468	Rt	W-79-30	30x30		6.25	12		1		1	SCHOOL BUS STOP			
31	2.500 - 2.542	Lt	W-33-18	18x24		30.00	5@10		10		5	10 chevrons, 5 each direction			
32	2.601 - 2.646	Rt	W-33-18	18x24		30.00	5@10		10		5	10 chevrons, 5 each direction			
33	2.702	Lt	W-9-30	30x30		6.25	12		1		1	Winding road			
			W-143-18	18x18		2.25			1			30 MPH advisory			
34	2.785	Rt	W-1-30	30x30		6.25	12		1		1	Right curve			
			W-143-18	18x18		2.25			1			35 MPH advisory			
35	2.951	Lt	W-79-30	30x30		6.25	12		1		1	SCHOOL BUS STOP			
	TOTALS CARRIED TO GENERAL SUMMARY												<table border="1" style="margin: auto;"> <tr> <td style="padding: 5px;">128</td> </tr> <tr> <td style="padding: 5px;">270</td> </tr> </table>	128	270
128															
270															

SIGN REPLACEMENT CONTRACT

BUTLER COUNTY - SR-126

REF. NO.	S.L.M.	SIDE	CODE	SIZE	SIGN EXTRUSHEET	SIGN, FLAT SHEET TYPE "G"	GROUND MOUNTED SUPPORTS NO. 3 POST	SIGN, DOUBLE FACED MILEMARKER, TYPE G	REMOVAL OF GROUND MOUNTED SIGN & DISPOSAL	REMOVAL OF GROUND MOUNTED SIGN&RE-ERECTION	REMOVAL OF GROUND MOUNTED POST SUPPORT & DISPOSAL	REMARKS	Calculated	Checked
													INCHES	SQ.FT.
36	2.976	Lt	W-2-30	30x30		6.25	12		1			Left curve	SUBSUMMARY	
			W-143-18	18x18		2.25			1			35 MPH advisory		
37	2.987	Rt	N-45-12	12x12			10	1	1		1	Mile Marker 3		
38	3.012	Lt	M-40-24	24x12		2.00	12		1		1	WEST		
			M-2-24-3	30x24		5.00			1			SR-126		
39	3.033	Lt	R-1-30	30x30		6.25	12		1		1	STOP on Weaver Road		
40	3.056	Rt	M-39-24	24x12		2.00	12		1		1	EAST		
			M-2-24-3	30x24		5.00			1			SR-126		
41	3.231	Rt	W-1-30	30x30		6.25	12		1		1	Right curve	BUT-4-0.00/Var	
			W-143-18	18x18		2.25			1			40 MPH advisory		
42	3.341 - 3.352	Lt	W-33-18	18x24		12.00	2@10		4		2	4 chevrons, 2 each direction		
43	3.406 - 3.424	Lt	W-33-18	18x24		18.00	3@10		6		3	6 chevrons, 3 each direction		
44	3.471	Lt	W-2-30	30x30		6.25	12		1		1	Left curve		
			W-143-18	18x18		2.25			1			40 MPH advisory		
45	3.669	Rt	W-2-30	30x30		6.25	14		1		1	Left curve		
			W-143-18	18x18		2.25						40 MPH advisory		
46	3.867	Rt	R-11A-24	24x30		5.00	13		1		1	REDUCED SPEED 35 AHEAD		
47	3.871	Lt	W-1-30	30x30		6.25	13		1		1	Right curve		
			W-143-18	18x18		2.25			1			40 MPH advisory		
	TOTALS CARRIED TO GENERAL SUMMARY												129 270	

SIGN REPLACEMENT CONTRACT

BUTLER COUNTY - SR-126

REF. NO.	S.L.M.	SIDE	CODE	SIZE	SIGN EXTRUSHEET	SIGN, FLAT SHEET TYPE "G"	GROUND MOUNTED SUPPORTS NO. 3 POST	SIGN, DOUBLE FACED MILEMARKER, TYPE G	REMOVAL OF GROUND MOUNTED SIGN & DISPOSAL	REMOVAL OF GROUND MOUNTED SIGN & RE-ERECTION	REMOVAL OF GROUND MOUNTED POST SUPPORT & DISPOSAL	REMARKS	
				INCHES	SQ.FT.	SQ. FT.	LIN. FT.	EACH	EACH	EACH	EACH		Calculated
48	3.905	Rt	W-2-30	30x30		6.25	12		1		1	Left curve	SUBSUMMARY
			W-143-18	18x18		2.25			1			35 MPH advisory	
49	3.986	Rt	R-10-24	24x30		5.00	12		1		1	SPEED LIMIT 35	
			N-45-12						1			Remove Mile Marker 4	
50	3.996	Rt	N-45-12	12x12			10	1				Mile Marker 4 (New location)	
51	3.996	Lt	R-10-24	24x30		5.00	12		1		1	SPEED LIMIT 55	
52	4.014	Rt	N-1B-40	40x20		5.56	12/12		1		2	OKEANA	
53	4.106	Lt	M-40-24						1		1	Remove route marker direction sign	
			M-2-24-3						1			Remove SR-126 sign	
54	4.114	Lt	R-10-24	24x30		5.00	12		1		1	SPEED LIMIT 35	
55	4.128	Rt	R-1-30	30x30		6.25	12		1		1	STOP On Church Road	BUT-4-0.00/Var
56	4.144	Rt	R-10-24	24x30		5.00	12		1		1	SPEED LIMIT 35	
57	4.310	Lt	R-10-24	24x30		5.00	12		1		1	SPEED LIMIT 35	
58	4.388	Lt	M-40-	24x12		2.00	12		1		1	WEST	
			M-2-24-3	30x24		5.00			1			SR-126	
59	4.400	Rt	R-1-30	30x30		6.25	12		1		1	STOP On Okeana/Drewsburg Road	
60	4.413	Rt	M-39-24	24x12		2.00	12		1		1	EAST	
			M-2-24-3	30x24		5.00			1			SR-126	
	TOTALS CARRIED TO GENERAL SUMMARY												<div style="border: 1px solid black; border-radius: 50%; width: 30px; height: 30px; display: flex; flex-direction: column; align-items: center; justify-content: center;"> 130 296 </div>

SIGN REPLACEMENT CONTRACT

BUTLER COUNTY - SR-126

REF. NO.	S.L.M.	SIDE	CODE	SIZE	SIGN EXTRUSHEET	SIGN, FLAT SHEET TYPE "G"	GROUND MOUNTED SUPPORTS NO. 3 POST	SIGN, DOUBLE FACED MILEMARKER,TYPE G	REMOVAL OF GROUND MOUNTED SIGN & DISPOSAL	REMOVAL OF GROUND MOUNTED SIGN&RE-ERECTION	REMOVAL OF GROUND MOUNTED POST SUPPORT & DISPOSAL	REMARKS	
				INCHES	SQ.FT.	SQ. FT.	LIN. FT.	EACH	EACH	EACH	EACH		Calculated
61	4.441	Lt	M-2-24-3						1		1	Remove route marker direction sign	SUBSUMMARY
			M-27-21						1			Remove SR-126 sign	
62	4.515	Lt	R-10-24	24x30		5.00	12		1		1	SPEED LIMIT 35	
63	4.519	Rt	R-10-24	24x30		5.00	12		1		1	SPEED LIMIT 35	
64	4.540	Lt	W-75-30	30x30		6.25	12		1		1	TRUCK ENTRANCE	
65	4.575	Lt	W-1-30	30x30		6.25	12		1		1	Right curve	
66	4.596	Rt	W-5-30	30x30		6.25	12		1		1	Right reverse curve	
			W-143-18	18x18		2.25			1			35 MPH advisory	
67	4.671	Lt	M-40-24						1		1	Remove route marker direction sign	BUT-4-0.00/Var
			M-2-24-3						1			Remove SR-126 sign	
68	4.700	Lt	R-1-30	30x30		6.25	12		1		1	STOP On South Wynn Road	
69	4.708	Rt	W-94-36						1		1	Remove railroad sign	
70	4.722	Rt	M-39-24						1		1	Remove route marker direction sign	
			M-2-24-3						1			Remove SR-126 sign	
71	4.724	Rt	W-94-36	36x36		9.00	13					Railroad crossing (New, behind guardrail)	
72	4.782	Rt	W-79-30	30x30		6.25	12		1		1	SCHOOL BUS STOP	
73	4.828	Rt	R-10-24	24x30		5.00	12		1		1	SPEED LIMIT 35	
74	4.836	Lt	M-40-24	24x12		2.00	13		1		1	WEST	
			M-2-24-3	30x24		5.00			1			SR-126	
	TOTALS CARRIED TO GENERAL SUMMARY												131 290

SIGN REPLACEMENT CONTRACT

BUTLER COUNTY - SR-126

REF. NO.	S.L.M.	SIDE	CODE	SIZE	SIGN EXTRUSHEET	SIGN, FLAT SHEET TYPE "G"	GROUND MOUNTED SUPPORTS NO. 3 POST	SIGN, DOUBLE FACED MILEMARKER,TYPE G	REMOVAL OF GROUND MOUNTED SIGN & DISPOSAL	REMOVAL OF GROUND MOUNTED SIGN&RE-ERECTION	REMOVAL OF GROUND MOUNTED POST SUPPORT & DISPOSAL	REMARKS	
				INCHES	SQ.FT.	SQ. FT.	LIN. FT.	EACH	EACH	EACH	EACH		Calculated
75	4.852	Rt	R-1-30	30x30		6.25	12		1		1	STOP On Race Lane	SUBSUMMARY
76	4.858	Lt	N-1B-30	40x20		5.56	12/12		1		2	OKEANA	
77	4.862	Rt	M-39-24	24x12		2.00	12		1		1	EAST	
			M-2-24-3	30x24		5.00			1			SR-126	
78	4.865	Lt	R-10-24	24x30		5.00	12		1		1	SPEED LIMIT 35	
79	4.892	Lt	W-17-30	30x30		6.25	12		1		1	Right reverse curve	
			W-143-18	18x18		2.25			1			35 MPH advisory	
80	4.921	Lt	W-94-36	36x36		9.00	13					Railroad crossing (New location)	
81	4.951	Lt	W-94-36						1		1	Remove Railroad Crossing sign	
82	4.969	Rt	N-45-12									Remove Mile Marker 5	
83	4.980	Lt	W-79-30	30x30		6.25	12					SCHOOL BUS STOP (New location)	BUT-4-0.00/Var
84	5.000	Lt	W-79-30						1		1	Remove SCHOOL BUS STOP	
85	5.000	Rt	N-45-12	12x12			10	1				Mile Marker 5 (New location)	
86	5.011	Lt	R-11A-24	24x30		5.00	12		1		1	REDUCED SPEED 35 AHEAD	
87	5.054	Rt	R-10-24	24x30		5.00	13		1		1	SPEED LIMIT 55	
88	5.390	Rt	W-6-30	30x30		6.25	13		1		1	Left reverse curve	
			W-143-18						1			Remove 50 MPH advisory	132 270
89	5.671	Rt	W-92-36	36x36		9.00	13		1		1	Fire House symbol	
TOTALS CARRIED TO GENERAL SUMMARY													

SIGN REPLACEMENT CONTRACT

BUTLER COUNTY - SR-126

REF. NO.	S.L.M.	SIDE	CODE	SIZE	SIGN EXTRUSHEET	SIGN, FLAT SHEET TYPE "G"	GROUND MOUNTED SUPPORTS NO. 3 POST	SIGN, DOUBLE FACED MILEMARKER, TYPE G	REMOVAL OF GROUND MOUNTED SIGN & DISPOSAL	REMOVAL OF GROUND MOUNTED SIGN & RE-ERECTION	REMOVAL OF GROUND MOUNTED POST SUPPORT & DISPOSAL	REMARKS	
				INCHES	SQ.FT.	SQ. FT.	LIN. FT.	EACH	EACH	EACH	EACH		Calculated
100	6.048	Rt	W-24-30	30x30		6.25	13		1		1	Cross road	SUBSUMMARY
			W-143-18	18x18		2.25						45 MPH advisory (New)	
101	6.230	Rt	W-2-30	30x30		6.25	12		1		1	Left curve	BUT-4-0.00/Var
102	6.403	Rt	W-79-30	30x30		6.25	12		1		1	SCHOOL BUS STOP	
103	6.433	Lt	W-1-30	30x30		6.25	13		1		1	Right curve	
104	6.545	Lt	W-76D-30	30x30		6.25	12		1		1	Deer Crossing symbol	
105	6.624	Rt	R-1-30	30x30		6.25	12		1		1	STOP On Nickolas Road	
106	6.625	Lt	M-2-24-3						1		1	Remove route marker	
107	6.654	Lt	R-1-30	30x30		6.25	13		1	1	1	STOP On Buell / Re-erect street name	
108	6.730	Lt	W-26-30	30x30		6.25	12		1		1	Side road	
109	6.749	Rt	R-11B-24	24x30		5.00	12		1		1	REDUCED SPEED AHEAD	
110	6.874	Lt	R-10-24	24x30		5.00	12		1		1	SPEED LIMIT 55	
111	6.886	Rt	R-10-24	24x30		5.00	12		1		1	SPEED LIMIT 45	
112	6.991	Rt	N-45-12	12x12			10	1	1		1	Mile Marker 7	
113	7.093	Rt	W-79-30	30x30		6.25	12		1		1	SCHOOL BUS STOP	
114	7.181	Lt	R-10-24	24x30		5.00	13		1		1	SPEED LIMIT 45	
115	7.217	Rt	R-10-24	24x30		5.00	13		1		1	SPEED LIMIT 35	
116	7.283	Rt	R-1-30	30x30		6.25	12		1		1	STOP On Scott Road	
117	7.324	Lt	W-80-30	30x30		6.25	12		1		1	SCHOOL BUS TURN	
	TOTALS CARRIED TO GENERAL SUMMARY												<div style="border: 1px solid black; border-radius: 50%; width: 30px; height: 30px; display: flex; flex-direction: column; align-items: center; justify-content: center;"> 134 270 </div>

SIGN REPLACEMENT CONTRACT

BUTLER COUNTY - SR-126

REF. NO.	S.L.M.	SIDE	CODE	SIZE	SIGN EXTRUSHEET	SIGN, FLAT SHEET TYPE "G"	GROUND MOUNTED SUPPORTS NO. 3 POST	SIGN, DOUBLE FACED MILEMARKER, TYPE G	REMOVAL OF GROUND MOUNTED SIGN & DISPOSAL	REMOVAL OF GROUND MOUNTED SIGN&RE-ERECTION	REMOVAL OF GROUND MOUNTED POST SUPPORT & DISPOSAL	REMARKS	Calculated Checked		
													INCHES	SQ.FT.	SQ. FT.
118	7.425	Rt	R-10-24	24x30		5.00	12		1		1	SPEED LIMIT 35	SUBSUMMARY		
119	7.425	Lt	W-2-30	30x30		6.25	12		1		1	Left curve			
120	7.473	Lt	M-40-24						1		1	Remove route marker direction sign			
			M-2-24-3						1			Remove SR-126 sign			
121	7.483	Rt	R-1-30	30x30		6.25	12		1		1	STOP On Alert New London Road			
122	7.496	Lt	R-1-30	30x30		6.25	12		1		1	STOP On Cherry Road			
123	7.519	Rt	M-39-24						1		1	Remove route marker direction sign			
			M-2-24-3						1			Remove SR-126 sign			
124	7.555	Rt	M-17-21	21x15		2.19	13		1		1	JCT		BUT-4-0.00/Var	
			M-2-24-3	30x24		5.00			1			SR-748			
125	7.614	Lt	M-2-24-3	30x24		5.00	12		1		1	SR-748			
			M-24-21	21x15		2.19			1			Single horizontal arrow			
126	7.618	Rt	M-2-24-3	30x24		5.00	12		1		1	SR-748			
			M-24-21	21x15		2.19			1			Single horizontal arrow			
127	7.634	Rt	M-2-24-3	30x24		5.00	12		1		1	SR-126 (Faces SR-748)			
			M-25-21	21x15		2.19			1			Double horizontal arrow			
128	7.638	Lt	R-10-24	24x30		5.00	12		1		1	SPEED LIMIT 35			
129	7.667	Lt	R-1-30	30x30		6.25	12		1		1	STOP On New London Road			
130	7.667	Rt	R-1-30	30x30		12.50	2@12		2		2	STOP On New Haven Road (Dual)			
	TOTALS CARRIED TO GENERAL SUMMARY													<div style="border: 1px solid black; border-radius: 50%; width: 30px; height: 30px; display: flex; flex-direction: column; justify-content: center; align-items: center;"> 135 270 </div>	

SIGN REPLACEMENT CONTRACT

BUTLER COUNTY - SR-126

REF. NO.	S.L.M.	SIDE	CODE	SIZE	SIGN EXTRUSHEET	SIGN, FLAT SHEET TYPE "G"	GROUND MOUNTED SUPPORTS NO. 3 POST	SIGN, DOUBLE FACED MILEMARKER,TYPE G	REMOVAL OF GROUND MOUNTED SIGN & DISPOSAL	REMOVAL OF GROUND MOUNTED SIGN&RE-ERECTION	REMOVAL OF GROUND MOUNTED POST SUPPORT & DISPOSAL	REMARKS	
				INCHES	SQ.FT.	SQ. FT.	LIN. FT.	EACH	EACH	EACH	EACH		Calculated
131	7.678	Rt	M-39-24	24x12		2.00	12		1		1	EAST	SUBSUMMARY
			M-2-24-3	30x24		5.00			1			SR-126	
132	7.734	Lt	M-17-21	21x15		2.19	12		1		1	JCT	
			M-2-24-3	30x24		5.00			1			SR-748	
133	7.820	Lt	R-10-24	24x30		5.00	12		1		1	SPEED LIMIT 35	
134	7.820	Rt	R-10-24	24x30		5.00	12		1		1	SPEED LIMIT 55	
135	7.880	Lt	R-11A-30	24x30		5.00	12		1		1	REDUCED SPEED 35 AHEAD	
136	7.977	Rt	N-45-12						2		1	Remove Mile Marker 8, and +.02 sign	
137	8.000	Rt	N-45-12	12x12			10	1				Mile Marker 8 (New location)	
138	8.177	Rt	W-24-30	30x30		6.25	13		1		1	Cross road	
139	8.249	Lt	M-40-24						1		1	Remove route marker	BUT-4-0.00/Var
			M-2-24-3						1				
140	8.296	Lt	R-1-36	36x36		18.00	2@12		2		2	STOP On Morgan Ross Road (36" dual)	
141	8.296	Rt	R-1-36	36x36		18.00	2@12		2		2	STOP On Morgan Ross Road (36" dual)	
142	8.319	Rt	M-39-24						1		1	Remove route marker direction sign	
			M-2-24-3						1			Remove SR-126 sign	
143	8.359	Rt	W-76D-30	30x30		6.25	12		1		1	Deer Crossing symbol	
144	8.392	Lt	W-24-30	30x30		6.25	13		1		1	Cross road	
145	8.938	Rt	N-45-12						1		1	Remove Mile Marker 9	
	TOTALS CARRIED TO GENERAL SUMMARY												<div style="border: 1px solid black; border-radius: 50%; width: 30px; height: 30px; display: flex; align-items: center; justify-content: center; margin: 0 auto;"> 136 270 </div>

SIGN REPLACEMENT CONTRACT

BUTLER COUNTY - SR-126

REF. NO.	S.L.M.	SIDE	CODE	SIZE	SIGN EXTRUSHEET	SIGN, FLAT SHEET TYPE "G"	GROUND MOUNTED SUPPORTS NO. 3 POST	SIGN, DOUBLE FACED MILEMARKER, TYPE G	REMOVAL OF GROUND MOUNTED SIGN & DISPOSAL	REMOVAL OF GROUND MOUNTED SIGN&RE-ERECTION	REMOVAL OF GROUND MOUNTED POST SUPPORT & DISPOSAL	REMARKS	Calculated	Checked
				INCHES	SQ.FT.	SQ. FT.	LIN. FT.	EACH	EACH	EACH	EACH			
146	9.000	Rt	N-45-12	12x12			10	1				Mile Marker 9 (New location)		
147	9.100	Rt	W-2-30	30x30		6.25	13		1		1	Left curve		
			W-143-18	18x18		2.25			1			35 MPH advisory		
148	9.132	Rt	W-79-30	30x30		6.25	12		1		1	SCHOOL BUS STOP		
149	9.213 - 9.252	Rt	W-33-18	18x24		24.00	4@10		8		4	8 chevrons, 4 each direction		
150	9.221	Rt	W-75-30	30x30		6.25	12		1		1	TRUCK ENTRANCE		
151	9.371	Lt	W-1-30	30x30		6.25	12		1		1	Right curve		
			W-143-18	18x18		2.25			1			35 MPH advisory		
152	9.379	Lt	R-31Q-30	30x30		6.25	13		1		1	LT/TH		
153	9.389	Rt	W-2-30	30x30		6.25	13		1		1	Left curve		
			W-143-18	18x18		2.25			1			30 MPH advisory		
154	9.400	Lt	W-79-30	30x30		6.25	12		1		1	SCHOOL BUS STOP		
155	9.462	Rt	W-139L-30	30x30		6.25	12		1		1	LAND SLIDE		
156	9.480	Rt	W-30-48	48x24		8.00	14/14		1		2	Large arrow		
157	9.534	Lt	W-75-30	30x30		6.25	13		1		1	TRUCK ENTRANCE		
158	9.571	Rt	W-2-30	30x30		6.25	13		1		1	Left curve		
			W-143-18	18x18		2.25			1			45 MPH advisory		
159	9.703	Lt	W-1-30	30x30		6.25	12		1		1	Right curve		
			W-143-18	18x18		2.25			1			45 MPH advisory		
	TOTALS CARRIED TO GENERAL SUMMARY												137	276

SUBSUMMARY

BUT-4-0.00/Var

137
276

SIGN REPLACEMENT CONTRACT

BUTLER COUNTY - SR-126

REF. NO.	S.L.M.	SIDE	CODE	SIZE	SIGN EXTRUSHEET	SIGN, FLAT SHEET TYPE "G"	GROUND MOUNTED SUPPORTS NO. 3 POST	SIGN, DOUBLE FACED MILEMARKER,TYPE G	REMOVAL OF GROUND MOUNTED SIGN & DISPOSAL	REMOVAL OF GROUND MOUNTED SIGN&RE-ERECTION	REMOVAL OF GROUND MOUNTED POST SUPPORT & DISPOSAL	REMARKS	
				INCHES	SQ.FT.	SQ. FT.	LIN. FT.	EACH	EACH	EACH	EACH		Calculated
160	9.885	Lt	R-1-30	30x30		6.25	12		1		1	STOP On Christan Road	SUBSUMMARY
161	9.937	Rt	N-45-12						1			Remove Mile Marker 10 from hazard marker	
162	10.000	Rt	N-45-12	12x12			10	1				Mile Marker 10 (New location)	
163	10.288	Rt	W-1-30	30x30		6.25	12		1	1		Right curve	
			W-143-18	18x18		2.25			1			40 MPH advisory	
164	10.320	Lt	W-76D-30	30x30		6.25	12		1		1	Deer Crossing symbol	
165	10.410	Rt	W-26-30	30x30		6.25	12		1		1	Side road	
			W-143-18	18x18		2.25			1			40 MPH advisory	
166	10.520	Lt	R-1-30	30x30		6.25	12		1	1	1	STOP On Brownfarm Road (Re-erect street name)	
167	10.532	Rt	W-2-30	30x30		6.25	13		1		1	Left curve	
			W-143-18						1			Remove 50 MPH advisory sign	BUT-4-0.00/Var
168	10.654	Lt	W-26-30	30x30		6.25	14		1		1	Side road	
			W-143-18	18x18		2.25			1			40 MPH advisory	
169	10.844	Lt	R-1-30	30x30		6.25	12		1	1	1	STOP On Jennifer Lane (Re-erect street name)	
170	10.932	Lt	R-1-30	30x30		6.25	12		1	1	1	STOP On Dry Run Road (Re-erect street name)	
171	10.963	Rt	N-45-12						1		1	Remove Mile Marker 11	
172	11.000	Rt	N-45-12	12x12			10	1				Mile Marker 11	
173	11.028	Rt	R-11B-24	24x30		5.00	12		1		1	REDUCED SPEED AHEAD	
174	11.076	Lt	R-10-24	24x30		5.00	13		1		1	SPEED LIMIT 55	
	TOTALS CARRIED TO GENERAL SUMMARY												<div style="border: 1px solid black; border-radius: 50%; width: 30px; height: 30px; display: flex; align-items: center; justify-content: center; margin: 0 auto;"> 138 270 </div>

SIGN REPLACEMENT CONTRACT

BUTLER COUNTY - SR-126

REF. NO.	S.L.M.	SIDE	CODE	SIZE	SIGN EXTRUSHEET	SIGN, FLAT SHEET TYPE "G"	GROUND MOUNTED SUPPORTS NO. 3 POST	SIGN, DOUBLE FACED MILEMARKER, TYPE G	REMOVAL OF GROUND MOUNTED SIGN & DISPOSAL	REMOVAL OF GROUND MOUNTED SIGN&RE-ERECTION	REMOVAL OF GROUND MOUNTED POST SUPPORT & DISPOSAL	REMARKS	Calculated		Checked	
													INCHES	SQ.FT.	SQ. FT.	LIN. FT.
175	11.120	Lt	R-1-30	30x30		6.25	13		1	1	1	STOP On Scottwood/Moller Road (Re-erect street name)	SUBSUMMARY			
176	11.165	Rt	R-10-24	24x30		5.00	12		1		1	SPEED LIMIT 35				
177	11.225	Lt	R-1-30	30x30		6.25	12		1	1	1	STOP On Main Street (Re-erect street name)				
178	11.272	Rt	W-47-36	36x36		9.00	13		1		1	Signal Ahead symbol				
179	11.302	Lt	R-1-30	30x30		6.25	12		1	1	1	STOP On Cross road (Re-erect street name)				
180	11.334	Rt	M-17-21	21x15		2.19	12		1		1	JCT				
			M-2-24-3	30x30		6.25			1			SR-128				
181	11.364	Rt	M-40-24	24x12		2.00	14		1		1	WEST (Sign height 7')				
			M-2-24-3	30x24		5.00			1			SR-126				
182	11.367	Lt	R-10-24	24x30		5.00	14		1		1	SPEED LIMIT 35 (Sign height 7')		BUT-4-0.00/Var		
183	11.385	Lt	R-1-30	30x30		6.25			1			STOP On Layhigh (Sign only)				
184	11.395	Rt	R-3L-24	24x36		6.00	12		1		1	STOP HERE ON RED (With left down arrow)				
TOTALS CARRIED TO GENERAL SUMMARY						24.00	1162.15	2266	12	285	8	196				

(139 / 276)

SIGN REPLACEMENT CONTRACT

BUTLER COUNTY - US-127

REF. NO.	S.L.M.	SIDE	CODE	SIZE	SIGN EXTRUSHEET	SIGN, FLAT SHEET TYPE "G"	GROUND MOUNTED SUPPORTS NO. 3 POST	SIGN, DOUBLE FACED MILEMARKER,TYPE G	REMOVAL OF GROUND MOUNTED SIGN & DISPOSAL	REMOVAL OF GROUND MOUNTED SIGN&RE-ERECTION	REMOVAL OF GROUND MOUNTED POST SUPPORT & DISPOSAL	REMARKS	
	Set Odometer On Hamilton North Corp. At 7.480			INCHES	SQ.FT.	SQ. FT.	LIN. FT.	EACH	EACH	EACH	EACH		Calculated
1	7.507	Rt	R-10-24	24x30		5.00	12		1		1	SPEED LIMIT 55	SUBSUMMARY
2	7.531	Rt							1		1	Remove Seat Belt Law sign	
3	7.560	Rt	M-37-24	24x12		2.00	12					NORTH (New location)	
			M-1-24-3	30x24		5.00						US-127	
4	7.585	Lt	R-11A-24	24x30		5.00	12		1		1	REDUCED SPEED 35 AHEAD	
5	7.916	Lt	R-47-36						1		1	Remove Signal Ahead sign	
6	7.916	Rt	R-47-36						1		1	Remove Signal Ahead sign	
7	8.000	Rt	N-45-12	12x12			10	1				Mile Marker 8 (New location)	
8	8.409	Lt	R-10-24	24x30		5.00	12		1		1	SPEED LIMIT 55	
9	8.413	Rt	R-11B-24	24x30		5.00	12		1		1	REDUCED SPEED AHEAD	
10	8.421	Lt	W-140-30									Remove Soft Shoulder sign	
11	8.628	Rt	N-1-40	40x20		5.56	12/12		1		2	NEW MIAMI / CORPORATION LIMIT	
	Suspend Work											(Village of New Miami)	
	Resume Work 9.490												
12	9.490	Lt	R-55-12	12x18		1.50	10		1		1	NO PARKING ANYTIME ↔	
13	9.490	Rt	W-78-24	24x8		1.33	14		1		1	SCHOOL	
			R-10-24	24x30		5.00			1			SPEED LIMIT 20	
			R-18-24	24x10		1.67						DURING RESTRICTED HOURS	
14	9.513	Lt	R-55-12						1		1	Remove NO PARKING SIGN	
	TOTALS CARRIED TO GENERAL SUMMARY												140 270

Calculated
Checked

SUBSUMMARY

BUT-4-0-00/Var

140
270

SIGN REPLACEMENT CONTRACT

BUTLER COUNTY - US-127

REF. NO.	S.L.M.	SIDE	CODE	SIZE	SIGN EXTRUSHEET	SIGN, FLAT SHEET TYPE "G"	GROUND MOUNTED SUPPORTS NO. 3 POST	SIGN, DOUBLE FACED MILEMARKER,TYPE G	REMOVAL OF GROUND MOUNTED SIGN & DISPOSAL	REMOVAL OF GROUND MOUNTED SIGN&RE-ERECTION	REMOVAL OF GROUND MOUNTED POST SUPPORT & DISPOSAL	REMARKS	
				INCHES	SQ.FT.	SQ. FT.	LIN. FT.	EACH	EACH	EACH	EACH		Calculated
30	9.895	Rt	N-45-12						1		1	Remove Mile Marker 10	SUBSUMMARY
31	9.970	Lt	R-10-24	24x30		5.00	12		1		1	SPEED LIMIT 40	
32	9.989	Rt	W-94-36	36x36		9.00	13		1		1	Advance Railroad Crossing symbol	
33	9.995	Rt	N-45-12	12x12			10	1				Mile Marker 10 (New location)	
34	10.038	Lt	R-1-30	30x30		6.25	12		1	1	1	STOP On Triber Road/Re-erect street name sign	
35	10.146	Lt	R-10-24	24x30		5.00	12		1		1	SPEED LIMIT 40	
36	10.209	Lt	W-92-36	36x36		9.00	13		1		1	Fire House symbol	
37	10.259	Rt	R-1-30	30x30		6.25	12		1		1	STOP On Jacksonburg Road	
38	10.303	Lt	W-94-36	36x36		9.00	12		1		1	Advance Railroad Crossing symbol	
39	10.305	Rt	R-10-24	24x30		5.00	12		1		1	SPEED LIMIT 55	
40	10.346	Lt	R-11A-24	24x30		5.00	12		1		1	REDUCED SPEED 40 AHEAD	BUT-4-0.00/Var
41	10.526	Lt	W-1-30	30x30		6.25	12		1		1	Right curve	
			W-143-18	18x18		2.25			1			50 MPH advisory	
42	10.549	Rt	W-75-30	30x30		6.25	12		1		1	TRUCK ENTRANCE	
43	10.781	Rt	R-10-24	24x30		5.00	12		1		1	SPEED LIMIT 55	
44	10.894	Rt	N-45-12						1		1	Remove Mile Marker 11	
45	11.000	Rt	N-45-12	12x12			10	1				Mile Marker 11 (New location)	
46	11.016	Lt	W-75-30	30x30		6.25	12		1		1	TRUCK ENTRANCE	
47	11.016	Rt	W-24A-30	30x30		6.25	12		1		1	Offsetting side streets	
TOTALS CARRIED TO GENERAL SUMMARY												142 270	

SIGN REPLACEMENT CONTRACT

BUTLER COUNTY - US-127

REF. NO.	S.L.M.	SIDE	CODE	SIZE	SIGN EXTRUSHEET	SIGN, FLAT SHEET TYPE "G"	GROUND MOUNTED SUPPORTS NO. 3 POST	SIGN, DOUBLE FACED MILEMARKER, TYPE G	REMOVAL OF GROUND MOUNTED SIGN & DISPOSAL	REMOVAL OF GROUND MOUNTED SIGN&RE-ERECTION	REMOVAL OF GROUND MOUNTED POST SUPPORT & DISPOSAL	REMARKS	
				INCHES	SQ.FT.	SQ. FT.	LIN. FT.	EACH	EACH	EACH	EACH		Calculated
48	11.111	Lt	M-38-24	24x12		2.00	12		1		1	SOUTH	SUBSUMMARY
			M-1-24-3	30x24		5.00			1			US-127	
49	11.145	Lt	R-1-30	30x30		6.25	12		1		1	STOP On W. Elkton Road	
50	11.170	Rt	R-1-30	30x30		6.25	12		1		1	STOP On Morgenthaler Road	
51	11.188	Rt	M-37-24	24x12		2.00	12		1		1	NORTH	
			M-1-24-2	30x24		5.00			1			US-127	
52	11.258	Lt	W-24A-30	30x30		6.25	12		1		1	Offsetting side roads	
53	11.882	Rt	N-45-12						1		1	Remove Mile Marker 12	
54	11.986	Lt	M-1-24-3						1		1	Remove route marker	
55	12.000	Lt	R-1-30	30x30		6.25	12		1		1	STOP On Spring Street	
56	12.000	Rt	N-45-12	12x12			10	1				Mile Marker 12 (New location)	BUT-4-0.00/Var
57	12.018	Lt	M-1-24-3						1		1	Remove Route Marker	
58	12.100	Rt	R-11A-24	24x30		6.25	12		1		1	REDUCED SPEED 35 AHEAD	
59	12.128	Lt	R-10-24	24x30		5.00	12		1		1	SPEED LIMIT 55	
60	12.196	Rt	D-6-60	60x30	12.50		12/12		1		2	CAMDEN 11 / EATON 21	
61	12.213	Rt					12			1	1	Re-erect NO ENGINE BRAKE sign	
62	12.222	Rt	N-1-40	40x20		5.56	12/12		1	2	2	SEVEN MILE CORPORATION LIMIT	
												Re-erect No Soliciting and School Bus sign	
63	12.222	Rt	R-10-24	24x30		5.00	12		1			Remove Speed Limit sign from Corp. sign	
												SPEED LIMIT 35 (Next to Corp. sign)	
TOTALS CARRIED TO GENERAL SUMMARY												143 270	

Calculated
Checked

SUBSUMMARY

BUT-4-0.00/Var

143
270

SIGN REPLACEMENT CONTRACT

BUTLER COUNTY - US-127

REF. NO.	S.L.M.	SIDE	CODE	SIZE	SIGN EXTRUSHEET	SIGN, FLAT SHEET TYPE "G"	GROUND MOUNTED SUPPORTS NO. 3 POST	SIGN, DOUBLE FACED MILEMARKER, TYPE G	REMOVAL OF GROUND MOUNTED SIGN & DISPOSAL	REMOVAL OF GROUND MOUNTED SIGN&RE-ERECTION	REMOVAL OF GROUND MOUNTED POST SUPPORT & DISPOSAL	REMARKS	
				INCHES	SQ.FT.	SQ. FT.	LIN. FT.	EACH	EACH	EACH	EACH		Calculated
	Suspend Work 12.222											(Village of Seven Mile)	SUBSUMMARY
	Resume Work 13.107												
64	13.107	Rt	N-1A-40	40x20		5.56	12/12		1		2	WAYNE TOWNSHIP LIMIT	
65	13.107	Lt	N-1-40	40x20		5.56	12/12		2	1	2	SEVEN MILE CORPORATION LIMIT / Remove Church sign	
										1		Re-erect No Soliciting sign	
										1		Add No Engine Brake sign from 13.115	
66	13.107	Lt	R-10-24	24x30		5.00	12		1			Add SPEED LIMIT 35 sign next to corp. sign	
67	13.115	Lt							1		1	Remove and re-erect No Engine Brake sign to 13.107	
68	13.115	Rt	R-10-24	24x30		5.00	12					SPEED LIMIT 55 (New location)	
69	13.186	Rt	W-2-30	30x30		6.25	13		1		1	Left curve	
			W-143-18	18x18		2.25			1			45 MPH advisory	
70	13.186	Lt	R-11A-24	24x30		5.00	13		1		1	REDUCED SPEED 35 AHEAD	
71	13.291 - 13.339	Rt	W-33-18	18x24		36.00	6@10		12		6	12 chevrons/6 each direction	
72	13.344	Rt	W-75-30						1		1	Remove Church Entrance	
73	13.430	Lt	W-1-30	30x30		6.25	13		1		1	Right curve	
			W-143-18	18x18		2.25			1			45 MPH advisory	
74	13.577	Lt	W-75-30						1		1	Remove Church Entrance	
75	13.617	Rt	W-26-30	30x30		6.25	13		1		1	Side road	
76	13.705	Rt	R-1-30	30x30		6.25	12		1		1	Wayne Trace Road	
77	13.793	Rt	W-26-30	30x30		6.25	12		1		1	Side road	
	TOTALS CARRIED TO GENERAL SUMMARY												<div style="border: 1px solid black; border-radius: 50%; width: 30px; height: 30px; display: flex; align-items: center; justify-content: center; margin: 0 auto;"> 144 270 </div>

Calculated
Checked

SUBSUMMARY

BUT-4-0.00/Var

144
270

SIGN REPLACEMENT CONTRACT

BUTLER COUNTY - US-127

REF. NO.	S.L.M.	SIDE	CODE	SIZE	SIGN EXTRUSHEET	SIGN, FLAT SHEET TYPE "G"	GROUND MOUNTED SUPPORTS NO. 3 POST	SIGN, DOUBLE FACED MILEMARKER, TYPE G	REMOVAL OF GROUND MOUNTED SIGN & DISPOSAL	REMOVAL OF GROUND MOUNTED SIGN&RE-ERECTION	REMOVAL OF GROUND MOUNTED POST SUPPORT & DISPOSAL	REMARKS	
				INCHES	SQ.FT.	SQ. FT.	LIN. FT.	EACH	EACH	EACH	EACH		Calculated
85	13.995	Rt	M-37-24	24x12		2.00	13		1		1	NORTH	SUBSUMMARY
			M-1-24-3	30x24		5.00			1			US-127	
			M-40-24	24x12		2.00			1			WEST (Next to 127 sign)	
			M-2-24-2	24x24		4.00			1			73	
86	14.000	Rt	N-45-12	12x12			10	1				Mile Marker 14 (New location)	BUT-4-0.00/Var
87	14.032	Rt					12			1	1	Re-erect Safe Drinking Water sign	
88	14.051	Lt	M-39-24	24x12		2.00	13		1		1	EAST (New) Existing JCT	
			M-2-24-2	24x24		4.00			1			SR-73	
			M-21-21	21x15		2.19			1			Advance left turn	
89	14.108	Lt	D-1G-72	72x12	6.00		12/12		1		2	HAMILTON 8	
			D-1G-72	72x12	6.00				1			← TRENTON 6 (New) ← MIDDLETOWN 11 (Old)	
90	14.182	Lt	W-26-30	30x30		6.25	12		1		1	Side street	
91	14.575	Rt	W-2-30	30x30		6.25	12		1		1	Left curve	
92	14.775	Lt	M-38-24						1		1	Remove route markers direction sign	
			M-1-24-3						1			Remove US-127 sign	
			M-39-24						1		1	Remove roue marker direction sign	
			M-2-24-2						1			Remove SR-73 sign	
93	14.836	Rt	R-1-30	30x30		6.25	12		1	1	1	STOP On Wayne Milford Road / Re-erect street name sign	
94	14.849	Rt	W-94-36	36x36		9.00	13		1		1	Advance railroad crossing	
	TOTALS CARRIED TO GENERAL SUMMARY												146 270

SIGN REPLACEMENT CONTRACT

BUTLER COUNTY - US-127

REF. NO.	S.L.M.	SIDE	CODE	SIZE	SIGN EXTRUSHEET	SIGN, FLAT SHEET TYPE "G"	GROUND MOUNTED SUPPORTS NO. 3 POST	SIGN, DOUBLE FACED MILEMARKER,TYPE G	REMOVAL OF GROUND MOUNTED SIGN & DISPOSAL	REMOVAL OF GROUND MOUNTED SIGN&RE-ERECTION	REMOVAL OF GROUND MOUNTED POST SUPPORT & DISPOSAL	REMARKS	Calculated	Checked
				INCHES	SQ.FT.	SQ. FT.	LIN. FT.	EACH	EACH	EACH	EACH			
95	14.861	Rt	M-37-24						1		1	Remove route markers direction sign	SUBSUMMARY	
			M-1-24-3						1			Remove US-127 sign		
			M-40-24						1		1	Remove route marker direction sign		
			M-2-24-2						1			Remove SR-73 sign		
96	14.890	Rt	N-45-12						1		1	Remove Mile Marker 15		
97	14.939	Rt	W-1-30	30x30		6.25	12		1		1	Right curve		
98	15.011	Rt	N-45-12	12x12			10	1				Mile Marker 15 (New location)		
99	15.017	Lt	W-1-30	30x30		6.25	12		1		1	Right curve		
100	15.134	Lt	W-94-36	36x36		9.00	13		1		1	Advance Railroad Crossing	BUT-4-0.00/Var	
101	15.246	Lt	W-2-30	30x30		6.25	12		1		1	Left curve		
102	15.504	Rt	N-1A-40	40x20		5.56	12/12		1		2	MILFORD TOWNSHIP LIMIT		
103	15.521	Lt	R-55R-12	12x18		1.50	10		1		1	NO PARKING ANYTIME →		
104	15.521	Rt	R-55L-12	12x18		1.50	10		1		1	NO PARKING ANYTIME ←		
105	15.559	Lt	R-55-12	12x18		1.50	10		1		1	NO PARKING ANYTIME ↔		
106	15.559	Rt	R-55-12	12x18		1.50	10		1		1	NO PARKING ANYTIME ↔		
107	15.586	Lt	R-55-12	12x18		1.50	10		1		1	NO PARKING ANYTIME ↔		
108	15.586	Rt	R-55-12	12x18		1.50	10		1		1	NO PARKING ANYTIME ↔		
109	15.722	Rt	R-55-12	12x18		1.50	10		1		1	NO PARKING ANYTIME ↔ (New) / ← (Existing)		
110	15.732	Lt	R-55-12	12x18		1.50	10		1		1	NO PARKING ANYTIME ↔ (New) / → (Existing)		
111	15.732	Rt	R-55-12	12x18		1.50	10		1		1	NO PARKING ANYTIME ↔		
	TOTALS CARRIED TO GENERAL SUMMARY												147	270

SIGN REPLACEMENT CONTRACT

BUTLER COUNTY - US-127

REF. NO.	S.L.M.	SIDE	CODE	SIZE	SIGN EXTRUSHEET	SIGN, FLAT SHEET TYPE "G"	GROUND MOUNTED SUPPORTS NO. 3 POST	SIGN, DOUBLE FACED MILEMARKER, TYPE G	REMOVAL OF GROUND MOUNTED SIGN & DISPOSAL	REMOVAL OF GROUND MOUNTED SIGN&RE-ERECTION	REMOVAL OF GROUND MOUNTED POST SUPPORT & DISPOSAL	REMARKS		
				INCHES	SQ.FT.	SQ. FT.	LIN. FT.	EACH	EACH	EACH	EACH			
112	15.743	Rt	R-55R-12	12x18		1.50	10		1		1	NO PARKING ANYTIME →		
113	15.752	Lt	R-55-12	12x18		1.50	10		1		1	NO PARKING ANYTIME ↔		
114	15.753	Rt	W-24-30	30x30		6.25	12		1		1	Cross Road		
115	15.785	Lt	R-55-12	12x18		1.50	10		1		1	NO PARKING ANYTIME ↔		
116	15.817	Lt	R-55-12	12x18		1.50	10		1		1	NO PARKING ANYTIME ↔		
117	15.839	Lt	R-55L-12	12x18		1.50	10		1		1	NO PARKING ANYTIME ←		
118	15.857	Rt	W-24-30	30x30		6.25	12/12					Cross Road (New)		
			D-8Y-35	35x8		1.95						EATON RD		
119	15.874	Lt					12			1	1	Re-erect Safe Drinking Water sign		
120	15.894	Rt	N-45-12						1		1	Remove Mile Marker 16		
121	15.896	Lt	M-38-24	24x72		2.00	12		1		1	SOUTH		
			M-1-24-3	30x24		5.00			1			US-127		
			M-39-24	24x12		2.00	12		1		1	EAST (Next to US-127 sign)		
			M-2-24-3	24x24		4.00			1			SR-73		
122	15.944	Rt	R-1-30	30x30		12.50	12/12		2	1	2	Dual STOPS on Eaton Road / Re-erect street name sign		
123	15.944	Lt	R-1-30	30x30		12.50	12/12		2	1	2	Dual STOPS on Eaton Road / Re-erect street name sign		
124	15.989	Rt	M-37-24	24x12		2.00	12		1		1	NORTH		
			M-1-24-3	30x24		5.00			1			US-127		
			M-40-24	24x12		2.00	12		1		1	WEST (Next to US-127 sign)		
			M-2-24-2	24x24		4.00			1			SR-73		
TOTALS CARRIED TO GENERAL SUMMARY													148	270

Calculated

Checked

SUBSUMMARY

BUT-4-0.00/Var

148

270

SIGN REPLACEMENT CONTRACT

BUTLER COUNTY - US-127

REF. NO.	S.L.M.	SIDE	CODE	SIZE	SIGN EXTRUSHEET	SIGN, FLAT SHEET TYPE "G"	GROUND MOUNTED SUPPORTS NO. 3 POST	SIGN, DOUBLE FACED MILEMARKER, TYPE G	REMOVAL OF GROUND MOUNTED SIGN & DISPOSAL	REMOVAL OF GROUND MOUNTED SIGN&RE-ERECTION	REMOVAL OF GROUND MOUNTED POST SUPPORT & DISPOSAL	REMARKS	Calculated	Checked
				INCHES	SQ.FT.	SQ. FT.	LIN. FT.	EACH	EACH	EACH	EACH			
125	16.000	Rt	N-45-12	12x12			10	1				Mile Marker 16 (New location)	SUBSUMMARY	
126	16.024	Lt	D-8G-35						1		1	Remove advance road name		
127	16.045	Lt	W-24-30	30x30		6.25	12/12					Cross road (New loation)		
			D-8Y-35	35x8		1.95						EATON RD.		
128	16.072	Lt	W-24-30						1		1	Remove Cross Road sign		
129	16.344	Lt	D-6-60	60x30	12.50		12/12		1		2	HAMILTON 10 / CINCINNATI 35		
130	16.369	Rt	M-40-24	24x12		2.00	13		1		1	WEST (new) JCT (old)		
			M-2-24-2	24x24		4.00			1			SR-73		
			M-21-21	21x15		2.19			1			Advance left turn		
131	16.411	Rt	R-31B-36	36x30		7.50	12		1		1	LEFT,THRU/RIGHT		BUT-4-0.00/Var
132	16.450	Rt	D-1G-72	72x18	9.00		13/13		1		2	← OXFORD 7 (New sign combo)		
												MIAMI UNIV		
			D-1B-72	72x12	6.00				1			HUESTON WOODS 9 →		
133	16.515	Lt	M-38-24	24x12		2.00			1		1	SOUTH		
			M-1-24-3	30x24		5.00			1			US-127		
			M-39-24	24x12		2.00			1		1	EAST		
			M-2-24-2	24x24		4.00			1			SR-73		
134	16.530	Rt	M-17-21						1		1	Remove JCT		
			M-2-24-2						1			Remove SR-73		
135	16.530	Rt	R-31B-36	36x30		7.50	12		1		1	LEFT,THRU/RIGHT		
TOTALS CARRIED TO GENERAL SUMMARY													149	276

SIGN REPLACEMENT CONTRACT

BUTLER COUNTY - US-127

REF. NO.	S.L.M.	SIDE	CODE	SIZE	SIGN EXTRUSHEET	SIGN, FLAT SHEET TYPE "G"	GROUND MOUNTED SUPPORTS NO. 3 POST	SIGN, DOUBLE FACED MILEMARKER,TYPE G	REMOVAL OF GROUND MOUNTED SIGN & DISPOSAL	REMOVAL OF GROUND MOUNTED SIGN&RE-ERECTION	REMOVAL OF GROUND MOUNTED POST SUPPORT & DISPOSAL	REMARKS	
				INCHES	SQ.FT.	SQ. FT.	LIN. FT.	EACH	EACH	EACH	EACH		Calculated Checked
*136	16.535	Lt	M-2-24-2	24x24					1		1	SR-73 (See last page for additional signing) (No. 136A)	SUBSUMMARY
			M-29-21	21x15					1			Advance vertical / 90 degree right arrow	
137	16.536	Rt	M-50-66	66x24	11.00		14/14		1			NORTH SOUTH (New) 127 (Old)	
									1			← 127 → ↔	
			W-30-48	48x24		8.00			1			Double night arrow (Below M-50-66)	
138	16.544	Rt	R-1-30	30x30		6.25	12		1		1	STOP On Huston Road	
139	16.549	Rt	M-40-24	24x12		2.00	12		1		1	WEST (New location)	
			M-2-24-2	24x24		4.00			1			SR-73	
			M-24-21	21x15		2.19			1			Single horizontal arrow	
140	16.558	Rt	M-37-24						1		1	Remove route marker	
			M-1-24-2						1				
141	16.584	Rt	M-37-24	24x12		2.00						NORTH (New location)	BUT-4-0.00/Var
			M-1-24-2	24x24		4.00						US-127	
142	16.604	Rt					12/12			1	2	Re-erect Adopt-A-Hwy sign	
143	16.633	Rt	W-92-36	36x36		9.00	13		1		1	Fire House symbol	
144	16.642	Lt	D-1G-72	72x18	9.00		13/13					OXFORD 7 → (New combo sign)	
												MIAMI UNIV	
			D-1B-72	72x12	6.00				1		2	HUESTON WOODS 9 →	
145	16.658	Rt	R-10-24	24x30		5.00	12		1		1	SPEED LIMIT 55	
	TOTALS CARRIED TO GENERAL SUMMARY												

SIGN REPLACEMENT CONTRACT

BUTLER COUNTY - US-127

REF. NO.	S.L.M.	SIDE	CODE	SIZE	SIGN EXTRUSHEET	SIGN, FLAT SHEET TYPE "G"	GROUND MOUNTED SUPPORTS NO. 3 POST	SIGN, DOUBLE FACED MILEMARKER, TYPE G	REMOVAL OF GROUND MOUNTED SIGN & DISPOSAL	REMOVAL OF GROUND MOUNTED SIGN & RE-ERECTION	REMOVAL OF GROUND MOUNTED POST SUPPORT & DISPOSAL	REMARKS	
				INCHES	SQ.FT.	SQ. FT.	LIN. FT.	EACH	EACH	EACH	EACH		Calculated
146	16.681	Lt	M-17-21	21x15		2.19	12		1		1	JCT	SUBSUMMARY
			M-2-24-2	24x24		4.00			1			SR-73	
147	16.714	Rt	D-6-60	60x30	12.50		12/12		1		2	EATON 17 / GREENVILLE 42	BUT-4-0.00/Var
148	16.771	Rt	R-1-30	30x30		6.25	12		1		1	STOP On side road	
149	16.882	Rt	N-45-12						1		1	Remove Mile Marker 17	
150	16.917	Lt	W-92-36	36x36		9.00	13		1		1	Fire House symbol	
151	17.000	Rt	N-45-12	12x12			10	1				Mile Marker 17 (New location)	
152	17.371	Rt	W-24-30	30x30		6.25	12		1		1	Cross road	
153	17.508	Lt	M-38-24						1		1	Remove route marker direction sign	
			M-1-24-2						1			Remove US-127 sign	
154	17.534	Lt	R-1-30	30x30		6.25	12		1		1	STOP On Harris Road	
155	17.534	Rt	R-1-30	30x30		6.25	12		1		1	STOP On Harris Road	
156	17.565	Rt	M-37-24						1		1	Remove route marker direction sign	
			M-1-24-2						1			Remove US-127 sign	
157	17.699	Lt	W-24-30	30x30		6.25	12		1		1	Cross road	
158	17.887	Rt	N-45-12						1		1	Remove Route Marker 18	
159	18.000	Rt	N-45-12				10	1				Mile Marker 18 (New location)	
160	18.550	Rt					12/12			1	2	Re-erect Adopt-A-Hwy sign	
161	18.550	Lt					12/12			1	2	Re-erect Adopt-A-Hwy sign	
162	18.717	Rt	W-24-30	30x30		6.25	12		1		1	Cross road	
TOTALS CARRIED TO GENERAL SUMMARY													<div style="border: 1px solid black; border-radius: 50%; width: 30px; height: 30px; display: flex; flex-direction: column; align-items: center; justify-content: center; margin: 0 auto;"> 151 270 </div>

SIGN REPLACEMENT CONTRACT

BUTLER COUNTY - US-127

REF. NO.	S.L.M.	SIDE	CODE	SIZE	SIGN EXTRUSHEET	SIGN, FLAT SHEET TYPE "G"	GROUND MOUNTED SUPPORTS NO. 3 POST	SIGN, DOUBLE FACED MILEMARKER,TYPE G	REMOVAL OF GROUND MOUNTED SIGN & DISPOSAL	REMOVAL OF GROUND MOUNTED SIGN&RE-ERECTION	REMOVAL OF GROUND MOUNTED POST SUPPORT & DISPOSAL	REMARKS	
				INCHES	SQ.FT.	SQ. FT.	LIN. FT.	EACH	EACH	EACH	EACH		Calculated
163	18.777	Lt	M-38-24	24x12		2.00	12		1		1	SOUTH	SUBSUMMARY
			M-1-24-2	24x24		4.00			1			US-127	
164	18.815	Rt	R-1-30	30x30		6.25	12		1		1	STOP On Oxford-Middletown Road	BUT-4-0.00/Var
165	18.815	Lt	R-1-30	30x30		6.25	12		1		1	STOP On Oxford-Middletown Road	
166	18.835	Rt	M-37-24	24x12		2.00	12		1		1	NORTH	
			M-1-24-2	24x24		4.00			1			US-127	
167	18.847	Rt	N-45-12						1		1	Remove Mile Marker 19	
168	18.916	Lt	W-24-30	30x30		6.25	12		1		1	Cross road	
169	19.000	Rt	N-45-12	12x12			10	1				Mile Marker 19 (New location)	
170	19.847	Rt	N-45-12						1		1	Remove Mile Marker 20	
171	19.884	Rt	W-24-30	30x30		6.25	12		1		1	Cross road	
172	19.987	Lt	M-38-24						1		1	Remove route marker direction sign	
			M-1-24-3						1			Remove US-127 sign	
173	20.000	Rt	R-1-30	30x30		6.25	12		1		1	STOP On Sommerville Road	
174	20.000	Lt	R-1-30	30x30		6.25	12		1		1	STOP On Sommerville Road	
175	20.015	Rt	N-45-12	12x12			10	1				Mile Marker 20 (New location)	
176	20.024	Rt	M-37-24						1		1	Remove route marker direction sign	
			M-1-24-3						1			Remove US-127 sign	
177	20.112	Lt	W-24-30	30x30		6.25	12		1		1	Cross road	
178	20.541	Lt					12/12			1	2	Re-erect Adopt-A-Hwy sign	
TOTALS CARRIED TO GENERAL SUMMARY												152 270	

SIGN REPLACEMENT CONTRACT

BUTLER COUNTY - US-127

REF. NO.	S.L.M.	SIDE	CODE	SIZE	SIGN EXTRUSHEET	SIGN, FLAT SHEET TYPE "G"	GROUND MOUNTED SUPPORTS NO. 3 POST	SIGN, DOUBLE FACED MILEMARKER, TYPE G	REMOVAL OF GROUND MOUNTED SIGN & DISPOSAL	REMOVAL OF GROUND MOUNTED SIGN&RE-ERECTION	REMOVAL OF GROUND MOUNTED POST SUPPORT & DISPOSAL	REMARKS	
				INCHES	SQ.FT.	SQ. FT.	LIN. FT.	EACH	EACH	EACH	EACH		Calculated Checked
179	20.541	Rt	W-24-30	30x30		6.25	12		1		1	Cross road	SUBSUMMARY
180	20.660	Rt	R-1-30	30x30		6.25	12		1		1	STOP On Frazer Road	
181	20.660	Lt	R-1-30	30x30		6.25	12		1		1	STOP On Frazer Road	
182	20.770	Lt	W-24-30	30x30		6.25	12					Cross road (New location)	
183	20.914	Rt	N-45-12						1		1	Remove Mile Marker 21	
184	21.000	Rt	N-45-12	12x12			10	1				Mile Marker 21 (New location)	
185	21.045	Lt	N-2-40	40x20		5.56	12/12		1		2	LEAVE PREBLE CO / ENTER BUTLER CO	
			N-1A-40	40x20		5.56			1			MILFORD TOWNSHIP LIMIT	
*136A	16.535	Lt	M-39-24	24x12		2.00	13					EAST (Rack Installation)	BUT-4-0.00/Var
			M-2-24-2	24x24		4.00						SR-73	
			M-26-21	21x15		2.19						↑	
			M-40-24	24x12		2.00						WEST	
			M-2-24-2	24x24		4.00						SR-73	
			M-24-21	21x15		2.19						→	
TOTALS CARRIED TO GENERAL SUMMARY						119.50	822.30	2139	12	229	16	189	<div style="border: 1px solid black; border-radius: 50%; width: 30px; height: 30px; display: flex; align-items: center; justify-content: center; margin: 0 auto;"> 153 276 </div>

SIGN REPLACEMENT CONTRACT

BUTLER COUNTY - SR-128

REF. NO.	S.L.M.	SIDE	CODE	SIZE	SIGN EXTRUSHEET	SIGN, FLAT SHEET TYPE "G"	GROUND MOUNTED SUPPORTS NO. 3 POST	SIGN, DOUBLE FACED MILEMARKER, TYPE G	REMOVAL OF GROUND MOUNTED SIGN & DISPOSAL	REMOVAL OF GROUND MOUNTED SIGN & RE-ERECTION	REMOVAL OF GROUND MOUNTED POST SUPPORT & DISPOSAL	REMARKS	
				INCHES	SQ.FT.	SQ. FT.	LIN. FT.	EACH	EACH	EACH	EACH		Calculated
15	0.699	Rt	D-1G-72	72x12	6.00		13/13		1		2	← HAMILTON 9 (Faces SR-126)	SUBSUMMARY
			D-1G-72						1			← OXFORD 16 (Remove)	
			D-1G-72	72x12	6.00				1			CLEVES 16 →	
16	0.699	Rt	M-2-24-3	30x24		5.00			1			SR-126 (Erect on top of D-1G-72's)	BUT-4-0.00/Var
			M-24-21	21x15		2.19			1			Single horizontal arrow →	
17	0.711	Rt	M-39-24	24x12		2.00	12		1		1	EAST	
			M-2-24-3	30x24		5.00			1			SR-126	
			M-37-24	24x12		2.00	12		1		1	NORTH (Erect next to SR-126 sign)	
			M-2-24-3	30x24		5.00			1			SR-128	
			IM-8-24						1			TO (Remove)	
			M-5-24-3						1			275 (Remove)	
18	0.728	Rt	R-10-24	24x30		5.00	12		1		1	SPEED LIMIT 35	
19	0.732	Lt	R-31A-36	36x30		7.50	12		1		1	LT/THR,RT (New) (R-31Q old sign)	
20	0.762	Lt	M-2-24-3	30x24		5.00	12		1		1	SR-126	
			M-19-21	21x15		2.19			1			Right turn arrow	
21	0.763	Lt	R-1-30	30x30		6.25	12		1	1	1	STOP On Union Street / Re-erect street name sign	
22	0.764	Lt	R-55R-12	12x18		1.50	10					NO PARKING →	
23	0.785	Rt	R-10-24	24x30		5.00	12		1		1	SPEED LIMIT 35	
24	0.795	Lt	R-10-24	24x30		5.00	12		1		1	SPEED LIMIT 35	
25	0.798	Lt	R-55-12	12x18		1.50	10		1		1	NO PARKING ↔	
TOTALS CARRIED TO GENERAL SUMMARY													155 270

SIGN REPLACEMENT CONTRACT

BUTLER COUNTY - SR-128

REF. NO.	S.L.M.	SIDE	CODE	SIZE	SIGN EXTRUSHEET	SIGN, FLAT SHEET TYPE "G"	GROUND MOUNTED SUPPORTS NO. 3 POST	SIGN, DOUBLE FACED MILEMARKER,TYPE G	REMOVAL OF GROUND MOUNTED SIGN & DISPOSAL	REMOVAL OF GROUND MOUNTED SIGN&RE-ERECTION	REMOVAL OF GROUND MOUNTED POST SUPPORT & DISPOSAL	REMARKS	Calculated Checked
				INCHES	SQ.FT.	SQ. FT.	LIN. FT.	EACH	EACH	EACH	EACH		
26	0.817	Lt	R-1-30	30x30		6.25	12		1	1	1	STOP On Side Street / Re-erect street name sign	SUBSUMMARY
27	0.840	Lt	R-55-12	12x18		1.50	10					NO PARKING ↔ (New location)	
28	0.877	Lt	R-55-12	12x18		1.50	10		1		1	NO PARKING ↔	
29	0.912	Rt	W-24B-30	30x30		6.25	12		1		1	Off Set Side Roads	
30	0.916	Lt	R-55-12	12x18		1.50	10		1		1	NO PARKING ↔	
31	0.938	Lt	R-55-12						1		1	Remove NO PARKING sign	
32	0.952	Lt	R-10-24	24x30		5.00	12		1		1	SPEED LIMIT 35	
33	0.960	Lt	R-55-12	12x18		1.50	10					NO PARKING ↔ (New location)	
34	0.978	Rt	R-1-30	30x30		6.25	12		1		1	STOP On Sunshine Street	
35	0.999	Lt	R-55L	12x18		1.50	10		1		1	NO PARKING ←	
36	1.000	Rt	N-45-12	12x12			10	1				Mile Marker 1 (New location)	BUT-4-0.00/Var
37	1.003	Lt	R-1-30	30x30		6.25	12		1		1	STOP On Sunshine Street	
38	1.007	Rt	R-10-24	24x30		5.00	12		1		1	SPEED LIMIT 35	
			N-45-12						1			Remove Mile Marker 1	
39	1.064	Lt	W-24B-30	30x30		6.25	12		1		1	Off Set Side Roads	
40	1.135	Rt	R-1-30	30x30		6.25	12		1		1	STOP On Center Street	
41	1.144	Lt	R-55R-12	12x18		1.50	10					NO PARKING → (New location)	
42	1.144	Rt	R-55L-12	12x18		1.50	10		1		1	NO PARKING ←	
43	1.168	Lt	R-10-24	24x30		5.00	12		1		1	SPEED LIMIT 35	
44	1.171	Lt	R-55-12	12x18		1.50	10		1		1	NO PARKING ↔	
TOTALS CARRIED TO GENERAL SUMMARY													156 270

SIGN REPLACEMENT CONTRACT

BUTLER COUNTY - SR-128

REF. NO.	S.L.M.	SIDE	CODE	SIZE	SIGN EXTRUSHEET	SIGN, FLAT SHEET TYPE "G"	GROUND MOUNTED SUPPORTS NO. 3 POST	SIGN, DOUBLE FACED MILEMARKER, TYPE G	REMOVAL OF GROUND MOUNTED SIGN & DISPOSAL	REMOVAL OF GROUND MOUNTED SIGN&RE-ERECTION	REMOVAL OF GROUND MOUNTED POST SUPPORT & DISPOSAL	REMARKS	
				INCHES	SQ.FT.	SQ. FT.	LIN. FT.	EACH	EACH	EACH	EACH		Calculated
62	1.367	Rt	M-17-21	21x15		2.19			1		1	JCT	SUBSUMMARY
			M-1-24-2	24x24		4.00			1			US-127	
63	1.379	Lt	W-71-30						1		1	Remove 2 lane road sign	
64	1.411	Lt	W-71-30	30x30		6.25	12					2 Lane Road (New location)	
													BUT-4-0.00/Var
TOTALS CARRIED TO GENERAL SUMMARY												158 270	

SHEET NO	REF. NO.	LOCATION	REMARKS	SIDE	CODE	SIZE (INCHES)	SIGN, GROUND MOUNTED EXTRUSHEET	SIGN, FLAT SHEET TYPE G	GROUND MOUNTED SUPPORT, NO. 3 POST	ONE WAY SUPPORT, NO. 3 POST	GROUND MOUNTED BEAM SUPPORT S 4 X 7.7	GROUND MOUNTED BEAM SUPPORT W 10 X 12	GROUND MOUNTED BEAM SUPPORT W 10 X 22	GROUND MOUNTED BEAM SUPPORT FOUNDATION	BREAKAWAY BEAM CONN.	GROUND MOUNTED BEAM SUPPORT W 6 X 9	SIGN, OVERHEAD EXTRUSHEET	OVERHEAD SIGN SUPPORT	RIGID OVERHEAD SIGN SUPPORT FOUNDATION	SIGN ATTACHMENT	OVERPASS STRUCTURE MOUNTED SIGN	Calculated	Checked																				
		SR-128 NB	LEFT SIDE = MEDIAN				SF	SF	FT	FT	FT	FT	FT	EACH	EACH	FT	SF	EACH	EACH	EACH	EACH																						
65	1.431		new location	Rt	R-52-24	24x30		5.00	12																																		
66	1.438		35 MPH	Rt	R-10-24	24x30		5.00	12																																		
67	1.452		East	Rt	M-39-24	24x12		2.00																																			
			SR-126		M-2-24-3	30x24		5.00																																			
					M-19-21	21x15		2.19																																			
			TO		IM-8-24	24x12		2.00																																			
			I-275		M-5-24-3	30x24		5.00																																			
					IM-19-21	21x15		2.19			12.13/12.84																																
					M-52A-108	108x36	27.00				XX			2	2																												
			remove		R-52-24																																						
68	1.466			Lt	R-38R-24	24x30		5.00																																			
69	1.490		Thru/Rt	Rt	R-31Z-30	30x30		6.25	12																																		
70	1.496			Lt	R-37R-24	24x30		5.00	12																																		
71	1.501		Butler Co / Wade Mill Rd	Rt	D-7-72	72x12	6.00		12/12																																		
			remove-dual (D-7-72)																																								
72	1.509		Stop on Wade Mill Road	Rt	R-1-30	30x30		6.25	12																																		
73	1.522		new location, in concrete	Lt	R-37R-24	24x30		5.00	12																																		
74	1.522			Rt	R-52-24	24x30		5.00	12																																		
75	1.527		Thru/Rt	Rt	R-31Z-30	30x30		6.25	12																																		
76	1.540			Lt	W-47-36	36x36		9.00	13																																		
77	1.555			Lt	R-38R-24	24x30		5.00	12																																		
78	1.568		use existing support	Rt	GH-1	120x108											90.00			2																							
79	1.568		(in front of support) TO	Rt	IM-8-24	24x12		2.00	12																																		
			275		M-5-24-3	30x24		5.00																																			
			→		IM-24-21	21x15		2.19																																			
80	1.570			Rt	R-52-24	24x30		5.00	12																																		
81	1.575		new location	Lt	R-37R-24	24x30		5.00	12																																		
82	1.590		new bridge support/bridge mounted	Lt	GH-1	120x60											50.00				1																						
TOTALS CARRIED TO GENERAL SUMMARY																																											

SUBSUMMARY

BUT-4-0.00/Var

159
270

SHEET NO.	REF. NO.	LOCATION BUTLER COUNTY US-27 & SR-128 INTERCHANGE MAINLINE	REMARKS	SIDE	CODE	SIZE (INCHES)	REM.OVRHD MT SIGN&DISPOSAL	REM.GRND. MNTD. MAJOR SIGN&DISPOSAL	REM.GROUND MOUNTED SIGN & DISPOSAL	REM. GROUND MOUNTED BEAM SUPPORT & DISPOSAL	REM. GROUND MOUNTED POST SUPRT & DISPOSAL	SIGNING, MISC.REMOVAL OF SIGN SUPRT FOUNDATIONS	REMOVAL OF GROUND MOUNTED SIGN & RE-ERECTION	REMOVAL OF GROUND MOUNTED MAJOR SIGN & RE-ERECTION	REM.SN.SERV & DISP., APP	REMOVAL OF LUMIN & DISPOSAL	REM. BALLAST & DISPOSAL	REM. SIGN WIR'G	REM.STRUCTURE MTD SIGN&DISP	GRND.MTD. BEAM SUPRT. W 8X18	OVRHD. STRUCTURE MTD. SIGN SUP. REMOVAL	Calculated	Checked		
		SR-128 NB	LEFT SIDE = MEDIAN				EACH	EACH	EACH	EACH	EACH	EACH	EACH	EACH	EACH	EACH	EACH	EACH	EACH	EACH	EACH				
	65	1.431	new location	Rt	R-52-24	24x30																			
	66	1.438	35 MPH	Rt	R-10-24	24x30			1		1														
	67	1.452	East	Rt	M-39-24	24x12			1		2														
			SR-126		M-2-24-3	30x24			1																
					M-19-21	21x15			1																
			TO		IM-8-24	24x12			1																
			I-275		M-5-24-3	30x24			1																
					IM-19-21	21x15			1																
					M-50A-108	108x66			1																
			remove		R-52-24				1																
	68	1.466		Lt	R-38R-24	24x30			1		1														
	69	1.490	Thru/Rt	Rt	R-31Z-30	30x30			1		1														
	70	1.496		Lt	R-37R-24	24x30			1		1														
	71	1.501	Butler Co / Wade Mill Rd	Rt	D-7-72	72x12			1		2														
			remove-dual (D-7-72)						1																
	72	1.509	Stop on Wade Mill Road	Rt	R-1-30	30x30			1		1														
	73	1.522	new location, in concrete	Lt	R-37R-24	24x30																			
	74	1.522		Rt	R-52-24	24x30			1		1														
	75	1.527	Thru/Rt	Rt	R-31Z-30	30x30			1		1														
	76	1.540		Lt	W-47-36	36x36			1		1														
	77	1.555		Lt	R-38R-24	24x30			1		1														
	78	1.568	use existing support	Rt	GH-1	120x108	1								1	2	2	1							
	79	1.568	(in front of support) TO	Rt	IM-8-24	24x12			1		1														
			275		M-5-24-3	30x24			1																
			→		IM-24-21	21x15			1																
	80	1.570		Rt	R-52-24	24x30			1		1														
	81	1.575	new location	Lt	R-37R-24	24x30																			
	82	1.590	new bridge mount	Lt	GH-1	120x60									1	2	2	1	1		1				
TOTALS CARRIED TO GENERAL SUMMARY																						SUBSUMMARY BUT-4-0.00/Var		160	270

SHEET NO	REF. NO.	LOCATION	REMARKS	SIDE	CODE	SIZE (INCHES)	SIGN, GRND MTD EXTRUSHEET	SIGN, FLAT SHEET TYPE G	GROUND MOUNTED SUPPORT, NO. 3 POST	ONE WAY SUPPORT, NO. 3 POST	GROUND MOUNTED BEAM SUPPORT S 4 X 7.7	GROUND MOUNTED BEAM SUPPORT W 10 X 12	GROUND MOUNTED BEAM SUPPORT W 10 X 22	GROUND MOUNTED BEAM SUPPORT FOUNDATION	BREAKAWAY BEAM CONN.	GROUND MOUNTED BEAM SUPPORT W 6 X 9	SIGN, OVERHEAD EXTRUSHEET	OVDR SIGN SUPT TYPE TC-12.30	RIGID OVERHD SIGN SUP.FONDA	SIGN ATACH ASSEMBLY	OVRD. STRUCTURE	Calculated	Checked
		SR-128 SB	LEFT SIDE = MEDIAN				SF	SF	FT	FT	FT	FT	FT	EACH	EACH	FT	SF	EACH	EACH	EACH	EACH		
	101	1.845		Rt	R-55L-12	12x18		1.50	10														
	102	1.835		Rt	R-55-12	12x18		1.50	10														
	103	1.821		Rt	R-55-12	12x18		1.50	10														
	104	1.816		Rt	R-55-12	12x18		1.50	10														
	105	1.808		Rt	R-55-12	12x18		1.50	10														
	106	1.797		Rt	R-55R-12	12x18		1.50	10														
	107	1.782	SR-126	Rt	M-2-24-3	30x24		5.00															
					M-30-24	24x12		2.00															
					M-52A-108	108X36	27.00				13.22/13.24			2	2								
	108	1.765		Rt	W-47-36	36x36		9.00	13														
	109	1.734		Rt	R-11B-24	24x30		5.00	12														
	110	1.704		Rt	R-1-30	30x30		6.25	12														
	111	1.691		Rt	R-36R-24	24x30		5.00	12														
	112	1.645	Use existing support	Rt	GH-1	96x84											56.00			2			
	113	1.645	Remove (faces ramp) TO	Rt	IM-8-24																		
			74		M-5-24-2																		
			←		IM-24																		
			126		M-2-24-3																		
			←		M-24-12																		
			128		M-2-24-3																		
			↔		M-21-25																		
	113A	1.645	WEST	Rt	M-40-12	24x12		2.00															
			126		M-2-24-3	30x24		5.00															
			←		M-24-21	21x19		2.19															
					M-50-66	66x24	11.00				10.95/11.17			2	2								
	114	1.628	35 MPH	Rt	R-10-24	24x30		5.00	12														
	115	1.615	New bridge support	Rt	GH-1	108x84											63.00					1	
	116	1.615	Use existing bridge support	Rt	R-30A-30	30x36		7.50															
TOTALS CARRIED TO GENERAL SUMMARY																							

SUBSUMMARY

BUT-4-0.00/Var

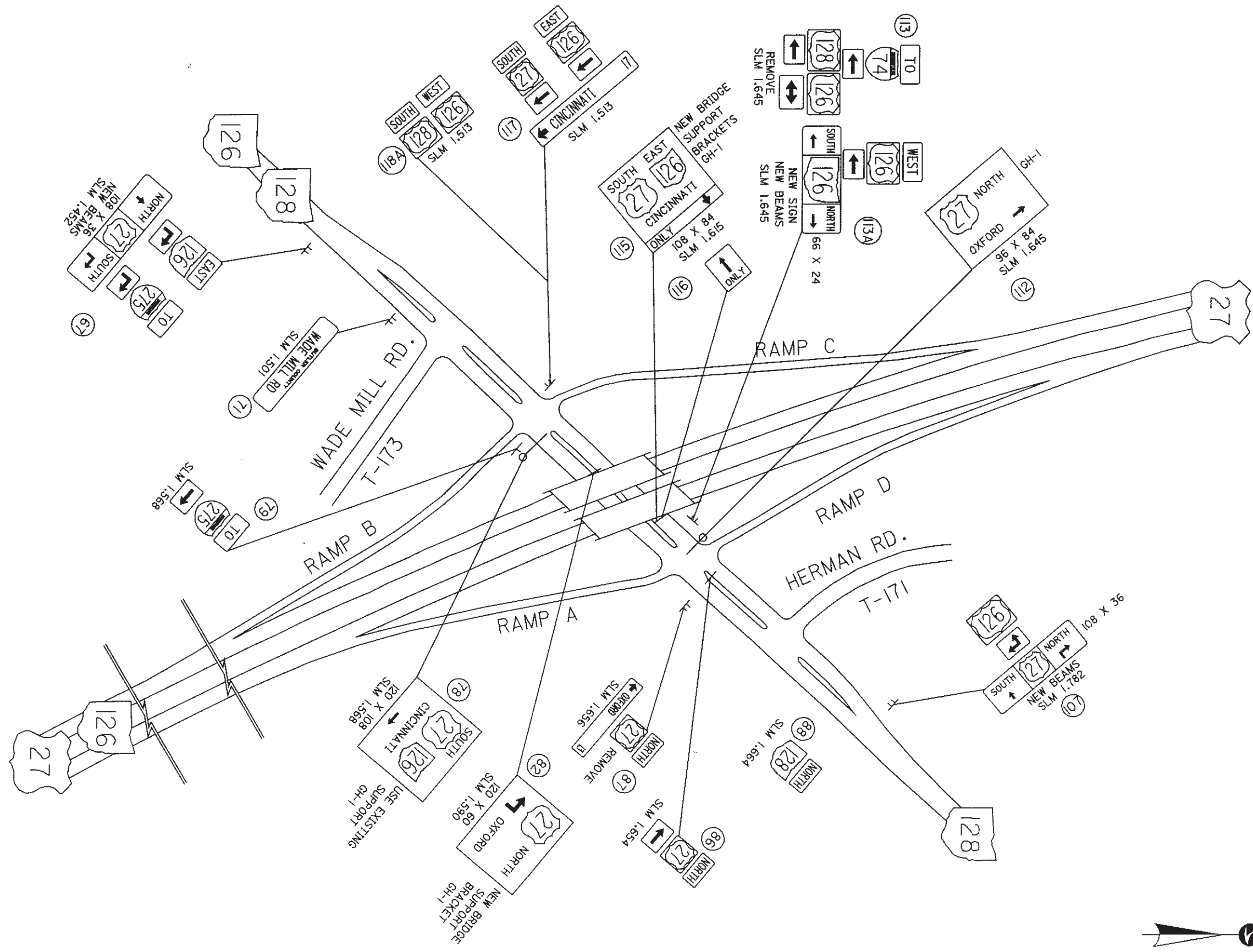
163
270

SHEET NO	REF. NO.	LOCATION	REMARKS	SIDE	CODE	SIZE (INCHES)	REM.OVRHD MT SIGN&DISPOSAL	REM.GRND. MNTD. MAJOR SIGN&DISPOSAL	REM.GROUND MOUNTED SIGN & DISPOSAL	REM. GROUND MOUNTED BEAM SUPPORT & DISPOSAL	REM. GROUND MOUNTED POST SUPRT & DISPOSAL	SIGNING, MISC.REMOVAL OF SIGN SUPRT FOUNDATIONS	REMOVAL OF GROUND MOUNTED SIGN & RE-ERECTION	REMOVAL OF GROUND MOUNTED MAJOR SIGN & RE-ERECTION	REM.SN.SERV & DISP., AAP	REMOVAL OF LUMN & DISPOSAL	REM. BALLAST & DISPOSAL	REM. SIGN WIR'G	REM.STRUCTURE MTD SIGN&DISP	GRND. MTD. BEAM SPT. W8 X18	OVRD. STRUCTURE MTD. SIGN SUP.	Calculated	Checked																				
		BUTLER COUNTY US-27 & SR-128 INTERCHANGE MAINLINE																																									
		SR-128 SB	LEFT SIDE = MEDIAN				EACH	EACH	EACH	EACH	EACH	EACH	EACH	EACH	EACH	EACH	EACH	EACH	EACH	EACH	EACH																						
	101	1.845		Rt	R-55L-12	12x18			1		1																																
	102	1.835		Rt	R-55-12	12x18			1		1																																
	103	1.821		Rt	R-55-12	12x18			1		1																																
	104	1.816		Rt	R-55-12	12x18			1		1																																
	105	1.808		Rt	R-55-12	12x18			1		1																																
	106	1.797		Rt	R-55R-12	12x18			1		1																																
	107	1.782	SR-126	Rt	M-2-24-3	30x24			1		2																																
					M-30-24	24x12			1																																		
					M-52A-108	108x66			1																																		
	108	1.765		Rt	W-47-36	36x36			1		1																																
	109	1.734		Rt	R-11B-24	24x30			1		1																																
	110	1.704		Rt	R-1-30	30x30			1		1																																
	111	1.691		Rt	R-36R-24	24x30			1		1																																
	112	1.645	Use existing support	Rt	GH-1	96x84	1								1	1	1	1																									
	113	1.645	Remove (faces ramp) TO	Rt	IM-8-24				1		2																																
			74		M-5-24-2				1																																		
			←		IM-24				1																																		
			126		M-2-24-3				1																																		
			←		M-24-12				1																																		
			128		M-2-24-3				1																																		
			↔		M-21-25				1																																		
	113A	1.645	WEST	Rt	M-40-12	24x12																																					
			126		M-2-24-3	30x24																																					
			←		M-24-21	21x19																																					
					M-50-66	66x24																																					
	114	1.628	35 MPH	Rt	R-10-24	24x30			1		1																																
	115	1.615	New bridge support	Rt	GH-1	108x84	1													1		1																					
	116	1.615	Use existing bridge support	Rt	R-30A-30	30x36	1													1																							
TOTALS CARRIED TO GENERAL SUMMARY																																											

SUBSUMMARY

BUT-4-0.00/Var

164
270



BUT - 4 - 0.00

US 27 & SR 128 INTERCHANGE

SR 128 MAINLINE

167
270

SIGN REPLACEMENT CONTRACT

BUTLER COUNTY - SR-128

REF. NO.	S.L.M.	SIDE	CODE	SIZE	SIGN EXTRUSHEET	SIGN, FLAT SHEET TYPE "G"	GROUND MOUNTED SUPPORTS NO. 3 POST	SIGN, DOUBLE FACED MILEMARKER, TYPE G	REMOVAL OF GROUND MOUNTED SIGN & DISPOSAL	REMOVAL OF GROUND MOUNTED SIGN&RE-ERECTION	REMOVAL OF GROUND MOUNTED POST SUPPORT & DISPOSAL	REMARKS	
				INCHES	SQ.FT.	SQ. FT.	LIN. FT.	EACH	EACH	EACH	EACH		Calculated
126	2.000	Rt	N-45-12	12x12			10	1				Mile Marker 2 (New location)	SUBSUMMARY
127	2.012	Lt	R-1-30	30x30		6.25	12		1		1	STOP On Wade Mill Ct.	
128	2.067	Lt	R-10-24	24x30		5.00	12		1		1	SPEED LIMIT 45	
129	2.096	Lt	R-1-30	30x30		6.25	12		1		1	STOP On Sohngen Ct.	
130	2.122	Rt	R-10-24	24x30		5.00	12		1		1	SPEED LIMIT 55	
131	2.212	Rt	W-82-36	36x36		9.00	13		1		1	Advance school zone	
			W-78-36	36x12		3.00			1			SCHOOL	
132	2.252	Rt	R-31Q-30	30x30		6.25	12		1		1	LT/THR	
133	2.252	Lt	R-11B-24	24x30		5.00	12		1		1	REDUCED SPEED AHEAD	
134	2.416	Rt	R-31Q-30	30x30		6.25	12		1		1	LT/THR	
135	2.450	Rt	R-31Q-30	30x30		6.25	12		1		1	LT/THR	
136	2.526	Rt	R-31Q-30	30x30		6.25	12		1		1	LT/THR	
137	2.626	Rt	W-26-30	30x30		6.25	12		1		1	Side road	
138	2.716	Lt	M-38-24	24x12		2.00	12		1		1	SOUTH	
			M-2-24-3	24x30		4.00			1		1	SR-128	
139	2.757	Lt	R-1-30	30x30		12.50	12/12		2		2	Dual stops on Ross Millville Road	
140	2.793	Rt	M-37-24	24x12		2.00	12		1		1	NORTH	
			M-2-24-3	24x30		5.00			1			SR-128	
141	2.865	Lt	W-82-36	36x36		9.00	13		1		1	Advance school zone	
			W-78-36	36x12		3.00			1			SCHOOL	
TOTALS CARRIED TO GENERAL SUMMARY													169 270

Calculated
Checked

SUBSUMMARY

BUT-4-0.00/Var

169
270

SIGN REPLACEMENT CONTRACT

BUTLER COUNTY - SR-128

REF. NO.	S.L.M.	SIDE	CODE	SIZE	SIGN EXTRUSHEET	SIGN, FLAT SHEET TYPE "G"	GROUND MOUNTED SUPPORTS NO. 3 POST	SIGN, DOUBLE FACED MILEMARKER, TYPE G	REMOVAL OF GROUND MOUNTED SIGN & DISPOSAL	REMOVAL OF GROUND MOUNTED SIGN&RE-ERECTION	REMOVAL OF GROUND MOUNTED POST SUPPORT & DISPOSAL	REMARKS	Calculated	Checked
				INCHES	SQ.FT.	SQ. FT.	LIN. FT.	EACH	EACH	EACH	EACH			
142	2.930	Rt								1	2	Relocate Adopt A Highway sign to 3.00		
			N-45-12						1			Remove Mile Marker 3		
143	2.944	Lt	W-26-30	30x30		6.25			1		1	Side road		
144	3.000	Rt	N-45-12	12x12			10	1				Mile Marker 3 (New location)		
							12/12					Re-erect Adopt A Highway sign from 2.930		
145	3.000	Lt	W-2-30	30x30		6.25	12		1		1	Left curve		
146	3.110	Rt	W-2-30	30x30		6.25	12		1		1	Left curve		
			W-143-18	18x18		2.25			1		1	50 MPH advisory		
147	3.145	Rt	R-1-30	30x30		6.25	12		1	1	1	STOP On Nugent Road / Re-erect street name sign		
148	3.177	Rt					12			1	1	Re-erect Ground Water sign		
149	3.197	Rt	W-79-30	30x30		6.25	12		1		1	SCHOOL BUS STOP		
150	3.311	Rt	R-1-30	30x30		6.25	12		1	1	1	STOP On Nugent Road / Re-erect street name sign		
151	3.326	Rt	W-32-48	48x24		8.00	12/12		1		2	Large arrow (Faces NB)		
152	3.330	Rt	W-32-48	48x24		8.00	12/12		1		2	Large arrow (Faces SB)		
153	3.500	Rt	W-1-30	30x30		6.25	12		1		1	Right curve		
			W-143-18	18x18		2.25			1			50 MPH advisory		
154	3.500	Lt	W-1-30	30x30		6.25	12		1		1	Right curve		
			W-143-18	18x18		2.25			1			50 MPH advisory		
155	3.623	Lt	M-38-24						1		1	Remove SOUTH sign		
			M-2-24-2						1		1	Remove SR-128 sign		
	TOTALS CARRIED TO GENERAL SUMMARY													

SUBSUMMARY

BUT-4-0.00/Var

170
270

SIGN REPLACEMENT CONTRACT

BUTLER COUNTY - SR-128

REF. NO.	S.L.M.	SIDE	CODE	SIZE	SIGN EXTRUSHEET	SIGN, FLAT SHEET TYPE "G"	GROUND MOUNTED SUPPORTS NO. 3 POST	SIGN, DOUBLE FACED MILEMARKER, TYPE G	REMOVAL OF GROUND MOUNTED SIGN & DISPOSAL	REMOVAL OF GROUND MOUNTED SIGN&RE-ERECTION	REMOVAL OF GROUND MOUNTED POST SUPPORT & DISPOSAL	REMARKS	Calculated	Checked
				INCHES	SQ.FT.	SQ. FT.	LIN. FT.	EACH	EACH	EACH	EACH			
156	3.652	Lt	W-32-48	48x24		8.00	12/12		1		2	Large arrow		
157	3.656	Lt	R-1-30	30x30		6.25	12		1		1	STOP On Smith Road		
158	3.725	Lt	R-1-30	30x30		6.25	12		1		1	STOP On Smith Road		
159	3.740	Rt	M-37-24						1		1	Remove NORTH sign		
			M-2-24-3						1			Remove SR-128 sign		
160	3.757	Rt	W-79-30	30x30		6.25	12		1		1	SCHOOL BUS STOP		
161	3.889	Lt	W-32-48	48x24		8.00	12/12		1		2	Large arrow		
162	4.000	Rt	N-45-12	12x12			10	1				Mile Marker 4 (New location)		
163	4.036	Lt					12/12			1	2	Re-erect Adopt A Highway sign		
164	4.139	Lt	W-2-30	30x30		6.25	12		1		1	Left turn		
165	4.157	Rt	W-76T-30	30x30		6.25	12		1		1	Advance truck crossing symbol		
166	4.463	Lt	W-76T-30	30x30		6.25	12		1		1	Advance truck crossing symbol		
167	4.540	Rt	W-2-30	30x30		6.25	12		1		1	Left curve		
			W-143-18	18x18		2.25			1			45 MPH advisory		
168	4.698 - 4.828	Rt	W-33-18	18x24		84.00	14@10		28		14	28 chevrons, 14 each direction		
169	4.722	Rt					12			1	1	Re-erect Ground Water sign		
170	4.905	Lt	W-1-30	30x30		6.25	12		1		1	Right curve		
			W-143-18	18x18		2.25			1			45 MPH advisory		
171	4.416	Rt	W-79-30	30x30		6.25	12		1		1	SCHOOL BUS STOP		
	TOTALS CARRIED TO GENERAL SUMMARY													

SUBSUMMARY

BUT-4-0.00/Var

 171
270

SIGN REPLACEMENT CONTRACT

BUTLER COUNTY - SR-128

REF. NO.	S.L.M.	SIDE	CODE	SIZE	SIGN EXTRUSHEET	SIGN, FLAT SHEET TYPE "G"	GROUND MOUNTED SUPPORTS NO. 3 POST	SIGN, DOUBLE FACED MILEMARKER, TYPE G	REMOVAL OF GROUND MOUNTED SIGN & DISPOSAL	REMOVAL OF GROUND MOUNTED SIGN&RE-ERECTION	REMOVAL OF GROUND MOUNTED POST SUPPORT & DISPOSAL	REMARKS	
				INCHES	SQ.FT.	SQ. FT.	LIN. FT.	EACH	EACH	EACH	EACH		Calculated
172	4.934	Rt	W-1-Spec-30	30x30		6.25	13		1		1	Right turn/left side street	SUBSUMMARY
			W-143-18	18x18		2.25			1			40 MPH advisory	
173	4.976	Lt								1	1	Re-erect Ground Water sign	BUT-4-0.00/Var
174	4.995	Rt	N-45-12	12x12			10	1	1		1	Mile Marker 5	
175	5.017 - 5.083	Lt	W-33-18	18x24		36.00	6@10		12		6	12 chevrons, 6 each direction	
176	5.047	Lt	M-38-24	24x12		2.00	12				1	SOUTH (New sign)	
			M-2-24-3	24x30		5.00			1			SR-128	
177	5.076	Lt	W-75-30	30x30		6.25	12		1		1	TRUCK ENTRANCE	
178	5.083	Lt	W-32-96	96x48		32.00	14/14		1		2	Large arrow (96")	
179	5.095	Lt	R-1-30	30x30		12.50	2@12		2	1	2	Dual Stop signs on Hine Road/Re-erect street name sign	
180	5.126	Rt	M-37-24	24x12		2.00	12		1		1	NORTH (New location)	
			M-2-24-3	24x30		5.00			1			SR-128	
181	5.196	Lt	W-2-Spec-30	30x30		6.25	12		1		1	Left turn/right side street	
			W-143-18	18x18		2.25			1			40 MPH advisory	
182	5.196	Rt	W-2-Spec-30	30x30		6.25	12		1		1	Left turn/right side street (Faces SB)	
			W-143-18	18x18		2.25			1			40 MPH advisory	
183	5.221	Lt	R-1-30	30x30		6.25	12		1		1	STOP On Skyview Drive	
184	5.226	Rt	R-55L-12	12x18		1.50	11		1		1	NO PARKING ←	
185	5.242	Rt	R-55R-12	12x18		1.50	11		1		1	NO PARKING →	
186	5.282	Rt	W-79-30	30x30		6.25	12		1		1	SCHOOL BUS STOP	
TOTALS CARRIED TO GENERAL SUMMARY													172 276

SIGN REPLACEMENT CONTRACT

BUTLER COUNTY - SR-128

REF. NO.	S.L.M.	SIDE	CODE	SIZE	SIGN EXTRUSHEET	SIGN, FLAT SHEET TYPE "G"	GROUND MOUNTED SUPPORTS NO. 3 POST	SIGN, DOUBLE FACED MILEMARKER, TYPE G	REMOVAL OF GROUND MOUNTED SIGN & DISPOSAL	REMOVAL OF GROUND MOUNTED SIGN&RE-ERECTION	REMOVAL OF GROUND MOUNTED POST SUPPORT & DISPOSAL	REMARKS	Calculated	Checked	
													INCHES	SQ.FT.	SQ. FT.
187	5.344	Rt					12/12			1	2	Re-erect Adopt A Highway sign	SUBSUMMARY		
188	5.475	Rt	W-2-30	30x30		6.25	12		1		1	Left curve			
189	5.762	Rt	R-55L-12	12x18		1.50	11		1		1	NO PARKING / Left Arrow			
190	5.764	Rt	R-55-12	12x18		1.50	11		1		1	NO PARKING / Double Arrow			
191	5.783	Rt	R-55-12	12x18		1.50	11		1		1	NO PARKING / Double Arrow			
192	5.813	Rt	R-55-12	12x18		1.50	11		1		1	NO PARKING / Double Arrow			
193	5.825	Lt	W-1-30	30x30		6.25	12		1		1	Right curve			
194	5.836	Rt	R-55-12	12x18		1.50	10		1		1	NO PARKING / Double Arrow			
195	5.863	Rt	R-55-12	12x18		1.50	10		1		1	NO PARKING / Double Arrow		BUT-4-0.00/Var	
196	5.931	Rt	R-55R-12	12x18		1.50	10		1		1	NO PARKING / Right Arrow			
197	5.997	Rt	N-45-12	12x12			10	1	1		1	Mile Marker 6			
198	6.030	Rt	M-2-24-2						1		1	Remove Route Marker			
199	6.052	Rt	W-76D-30	30x30		6.25	12		1		1	Deer Crossing symbol			
200	6.273	Lt	W-79-30	30x30		6.25	12		1		1	SCHOOL BUS STOP			
201	6.327	Lt					12/12			1	2	Re-erect Ground Water sign			
202	6.425	Rt	W-139R-30	30x30		6.25	12		1		1	ROCK SLIDES			
203	6.427	Rt	R-81-48	48x30		10.00	12/12		1		2	\$500 PENALTY FOR LITTERING			
204	6.454	Rt	R-80-24	24x30		5.00	12		1		1	NO DUMPING ALLOWED			
205	6.509	Rt										No Dumping Butler County Sheriff (Do not disturb)			
206	6.529	Rt	R-81-48	48x30		10.00	12/12		1		2	\$500 PENALTY FOR LITTERING	173		
TOTALS CARRIED TO GENERAL SUMMARY													276		

SIGN REPLACEMENT CONTRACT

BUTLER COUNTY - SR-128

REF. NO.	S.L.M.	SIDE	CODE	SIZE	SIGN EXTRUSHEET	SIGN, FLAT SHEET TYPE "G"	GROUND MOUNTED SUPPORTS NO. 3 POST	SIGN, DOUBLE FACED MILEMARKER, TYPE G	REMOVAL OF GROUND MOUNTED SIGN & DISPOSAL	REMOVAL OF GROUND MOUNTED SIGN & RE-ERECTION	REMOVAL OF GROUND MOUNTED POST SUPPORT & DISPOSAL	REMARKS	Calculated Checked	
													SUBSUMMARY	BUT-4-0.00/Var
				INCHES	SQ.FT.	SQ. FT.	LIN. FT.	EACH	EACH	EACH	EACH			
207	6.775	Rt	W-76D-30	30x30		6.25	12		1		1	Deer Crossing symbol		
208	6.896	Rt	W-75-30	30x30		6.25	12		1		1	PARK ENTRANCE		
209	6.909	Lt	W-139R-30	30x30		6.25	12		1		1	ROCK SLIDES		
210	6.992	Rt	N-45-12	12x12			10	1	1		1	Mile Marker 7		
211	7.083	Lt	W-75-30	30x30		6.25	12		1		1	PARK ENTRANCE		
212	7.178	Lt	W-76D-30	30x30		6.25	12		1		1	Deer Crossing symbol		
213	7.349	Rt	W-1-30	30x30		6.25	12		1		1	Right curve		
214	7.390	Lt	W-1-30	30x30		6.25	12		1		1	Right curve		
215	7.447	Lt							1		1	Remove Fasten Seat Belt sign		
			R-10-24	24x30		5.00	12					SPEED LIMIT 55 (New sign)		
216	7.500	Rt	N-1-40	40x20		5.56	12/12					HAMILTON CORPORATION LIMIT (New location)		
217	7.500	Lt					12/12			1	2	Re-erect Adopt A Highway sign		
218	7.510	Lt							1		1	Remove Speed Limit 55 sign		
			M-38-24	24x12		2.00	13					SOUTH (New sign)		
			M-2-24-3	24x30		5.00						SR-128 (New sign)		
TOTALS CARRIED TO GENERAL SUMMARY													174	270

SHEET NO	REF. NO.	LOCATION	REMARKS	SIDE	CODE	SIZE (INCHES)	SIGN, GRND MTD EXTRUSHEET	SIGN, FLAT SHEET TYPE G	GROUND MOUNTED SUPPORT, NO. 3 POST	ONE WAY SUPPORT, NO. 3 POST	GROUND MOUNTED BEAM SUPPORT S 4 X 7.7	GROUND MOUNTED BEAM SUPPORT W 10 X 12	GROUND MOUNTED BEAM SUPPORT W 10 X 22	GROUND MOUNTED BEAM SUPPORT FOUNDATION	BREAKAWAY BEAM CONN.	GROUND MOUNTED BEAM SUPPORT W 6 X 9	SIGN, OVERHEAD EXTRUSHEET	OVRD SIGN SUPT TYPE TC-12.30	RIGID OVERHD SIGN SUP.FONDA	SIGN ATACH ASSEMBLY		Calculated	Checked
		BUTLER COUNTY SR-128 MAINLINE					SF	SF	FT	FT	FT	FT	FT	EACH	EACH	FT	SF	EACH	EACH	EACH			
SUBSUMMARY																							
BUT-4-0.00/V ar																							
SUB-SUMMARY SHEET																							
							89.00	1189.67	2777		73.55			6	6		259.00			4			

175
270

SHEET NO	REF. NO.	LOCATION	REMARKS	SIGN DOUBLE FACED MILEMARKER TYPE	REM. OVRHD STRUCTURE SIGN SUPPORT	NEW OVRHD STRUCTURE SIGN SUPPORT	REM. OVRHD MT SIGN&DISPOSAL	REM. GRND. MNTD. MAJOR SIGN&DISPOSAL	REM. GROUND MOUNTED SIGN & DISPOSAL	REM. GROUND MOUNTED BEAM SUPPORT &	REM. GROUND MOUNTED POST SUPRT & DISPOSAL	SIGNING, MISC. REMOVAL OF SIGN SUPRT FOUNDATIONS	REMOVAL OF GRND. MNTD. SIGN & RE-ERECTION	REMOVAL OF GRND. MNTD. MAJOR SIGN & RE-	REM. SN. SERV & DISP., AAP	REMOVAL OF LUMN & DISPOSAL	REM. BALLAST & DISPOSAL	REM. SIGN WIR'G	REM. STRUCTURE MTD SIGN&DISP	GRD. MNTD. BEAM SPT. W 8 X 18		Calculated	Checked
		BUTLER COUNTY SR-128 MAINLINE		EA.	EACH	EACH	EACH	EACH	EACH	EACH	EACH	EACH	EACH	EACH	EACH	EACH	EACH	EACH	EACH	EACH			
SUBSUMMARY																							
BUT-4-0.00/Var																							
TOTALS CARRIED TO GENERAL SUMMARY				8	2	2	2		298		239		12		3	5	5	3	3				

176
270

SIGN REPLACEMENT CONTRACT

BUTLER COUNTY - SR-129

REF. NO.	S.L.M.	SIDE	CODE	SIZE	SIGN EXTRUSHEET	SIGN, FLAT SHEET TYPE "G"	GROUND MOUNTED SUPPORTS NO. 3 POST	SIGN, DOUBLE FACED MILEMARKER, TYPE G	REMOVAL OF GROUND MOUNTED SIGN & DISPOSAL	REMOVAL OF GROUND MOUNTED SIGN&RE-ERECTION	REMOVAL OF GROUND MOUNTED POST SUPPORT & DISPOSAL	REMARKS	
				INCHES	SQ.FT.	SQ. FT.	LIN. FT.	EACH	EACH	EACH	EACH		Calculated Checked
10	0.193	Lt	M-17-21	21x15		2.19	12/12		1		2	JCT	SUBSUMMARY
			M-2-24-3	30x24		5.00			1			SR-126	
			M-21-21	21x15		2.19			1			Left advance arrow	
			M-17-21	21x15		2.19			1			JCT	
			M-2-24-3	30x24		5.00			1			Ind. SR-252	
			M-26-21	21x15		2.19			1			Vertical arrow	
11	0.300	Rt	R-10-24	24x30		5.00	12		1		1	Speed Limit 55	BUT-4-0.00/Var
12	1.000	Rt	N-45-12	12x12			9	1	1		1	Mile Marker 1	
13	1.164	Rt	W-24-30	30x30		6.25	12		1		1	Cross road	
14	1.211	Lt	M-40-24	24x12		2.00	13		1		1	WEST	
			M-2-24-3	30x24		5.00			1			SR-126	
15	1.229	Lt	R-1-30	30x30		6.25	12		1		1	STOP On Hart Road	
16	1.240	Rt	R-1-30	30x30		6.25	12		1		1	STOP On California Road	
17	1.240	Lt	W-30-48	48x24		8.00	12/12		1		2	Large double arrow (faces side street)	
18	1.256	Rt	M-39-24	24x12		2.00	12		1		1	EAST	
			M-2-24-3	30x24		5.00			1			SR-129	
19	1.343	Lt	W-24-30	30x30		6.25	12		1		1	Cross road	
20	1.385	Rt	W-76D-30	30x30		6.25	12		1		1	Deer Crossing symbol	
21	1.776	Rt	W-24A-30	30x30		6.25	12		1		1	Offset cross road	
	TOTALS CARRIED TO GENERAL SUMMARY												<div style="border: 1px solid black; border-radius: 50%; width: 30px; height: 30px; display: flex; flex-direction: column; justify-content: center; align-items: center; margin: 0 auto;"> 178 <hr style="width: 100%;"/> 270 </div>

SIGN REPLACEMENT CONTRACT

BUTLER COUNTY - SR-129

REF. NO.	S.L.M.	SIDE	CODE	SIZE	SIGN EXTRUSHEET	SIGN, FLAT SHEET TYPE "G"	GROUND MOUNTED SUPPORTS NO. 3 POST	SIGN, DOUBLE FACED MILEMARKER, TYPE G	REMOVAL OF GROUND MOUNTED SIGN & DISPOSAL	REMOVAL OF GROUND MOUNTED SIGN&RE-ERECTION	REMOVAL OF GROUND MOUNTED POST SUPPORT & DISPOSAL	REMARKS	Calculated	Checked
				INCHES	SQ.FT.	SQ. FT.	LIN. FT.	EACH	EACH	EACH	EACH		SUBSUMMARY	
22	1.813	Lt	W-76D-30	30x30		6.25	12		1		1	Deer Crossing symbol		
23	1.856	Lt	M-40-24						1		1	Remove route marker directional sign		
			M-2-24-3						1			Remove SR-129 sign		
24	1.882	Lt	R-1-30	30x30		6.25	12		1		1	STOP On Weaver Road		
25	1.882	Rt	R-1-30	30x30		6.25	12		1		1	STOP On Weaver Road		
26	1.989	Rt	M-39-24						1		1	Remove route marker directional sign		
			M-2-24-3						1			Remove SR-129 sign		
27	2.012	Rt	N-45-12	12x12			9	1	1		1	Mile Marker 2		
28	2.035	Lt	W-24A-30	30x30		6.25	12		1		1	Offset cross road		
29	2.267	Rt	W-94-36	36x36		9.00	12		1		1	Railroad crossing		
30	2.541	Lt	W-62-30	30x30		6.25	12		1		1	BUMP		
			W-143-18	18x18		2.25			1			15 MPH advisory		
31	2.577	Lt	W-94-36	36x36		9.00	12		1		1	Railroad crossing		
32	2.761	Lt	D-6-60	60x30	12.50		12/12		2		2	BROOKVILLE 14 / INDIANAPOLIS 65		
												(Remove 2, D-1G's)		
33	2.839	Rt	M-17-21	21x15		2.19	12		1		1	JCT		
			M-2-24-3	30x24		5.00			1			SR-732		
34	2.876	Rt	W-26-30	30x30		6.25	13		1		1	Side road		
			W-143-18	18x18		2.25			1			45 MPH advisory		
	TOTALS CARRIED TO GENERAL SUMMARY													

179
276

SIGN REPLACEMENT CONTRACT

BUTLER COUNTY - SR-129

REF. NO.	S.L.M.	SIDE	CODE	SIZE	SIGN EXTRUSHEET	SIGN, FLAT SHEET TYPE "G"	GROUND MOUNTED SUPPORTS NO. 3 POST	SIGN, DOUBLE FACED MILEMARKER, TYPE G	REMOVAL OF GROUND MOUNTED SIGN & DISPOSAL	REMOVAL OF GROUND MOUNTED SIGN & RE-ERECTION	REMOVAL OF GROUND MOUNTED POST SUPPORT & DISPOSAL	REMARKS	Calculated	Checked
				INCHES	SQ.FT.	SQ. FT.	LIN. FT.	EACH	EACH	EACH	EACH			
35	2.922	Rt	D-1G-72	72x12	6.00		12/12		1		2	← OXFORD 9	SUBSUMMARY	
			D-1B-72	72x12	6.00				1			← HUESTON WOODS 14		
36	2.987	Lt	M-40-24	24x12		2.00			1		1	WEST		
			M-2-24-3	30x24		5.00			1			SR-129		
37	3.000	Rt	N-45-12	12x12			9	1				Mile Marker 3 (New location)		
38	3.013	Rt	M-2-24-3	30x24		5.00	12		1		1	SR-732		
			M-24-21	21x15		2.19			2			Horizontal arrow (Remove mile marker)		
39	3.013	Lt	M-2-24-3	30x24		5.00	12		1		1	SR-732		
			M-24-21	21x15		2.19			1			Horizontal arrow		
40	3.018	Rt	W-30-96	96x48	32.00		16/16		3		2	96" arrow (Remove route marker, faces SR-732)		BUT-4-0.00/Var
41	3.018	Rt	M-2-24-3	30x24		5.00	14					SR-129 (Next to 96" arrow)		
			M-25-21	21x15		2.19						Double horizontal arrow		
42	3.047	Rt	M-39-24	24x12		2.00	13		1		1	EAST		
			M-2-24-3	30x24		5.00			1			SR-129		
43	3.071	Rt	W-153-30	30x30		6.25	13		1		1	NARROW SHOULDER		
44	3.111	Lt	D-1G-72	72x12	6.00		12/12		1		2	OXFORD 9 →		
			D-1B-72	72x12	6.00				1			HUESTON WOODS 14 →		
45	3.169	Lt	W-26-30	30x30		6.25	12		1		1	Side road		
			W-143-18	18x18		2.25			1			45 MPH advisory		
	TOTALS CARRIED TO GENERAL SUMMARY													

180
270

SIGN REPLACEMENT CONTRACT

BUTLER COUNTY - SR-129

REF. NO.	S.L.M.	SIDE	CODE	SIZE	SIGN EXTRUSHEET	SIGN, FLAT SHEET TYPE "G"	GROUND MOUNTED SUPPORTS NO. 3 POST	SIGN, DOUBLE FACED MILEMARKER, TYPE G	REMOVAL OF GROUND MOUNTED SIGN & DISPOSAL	REMOVAL OF GROUND MOUNTED SIGN & RE-ERECTION	REMOVAL OF GROUND MOUNTED POST SUPPORT & DISPOSAL	REMARKS	Calculated	Checked
													INCHES	SQ.FT.
46	3.182	Rt	R-1-30	30x30		6.25	12		1		1	STOP On N. Winn Street	SUBSUMMARY	
47	3.236	Lt	M-17-21	21x15		2.19	13		1		1	JCT		
			M-2-24-3	30x24		5.00			1			SR-732		
48	3.730	Rt	N-1B-40	40x20		5.56	12/12		1		2	ST. CHARLES		
49	3.741	Rt	W-75-30	30x30		6.25	12		1		1	CHURCH ENTRANCE		
50	3.999	Rt	N-45-12	12x12			10	1	1		1	Mile Marker 10		
51	4.013	Lt	M-2-24-3						1		1	Remove route marker		
52	4.025	Lt	R-1-30	30x30		6.25	12		1		1	STOP On Garner Road		
53	4.045	Rt	M-2-24-3						1		1	Remove route marker		
54	4.143	Lt	M-40-24	24x12		2.00	13		1		1	WEST		BUT-4-0.00/Var
			M-2-24-3	30x24		5.00			1			SR-129		
55	4.170	Rt	R-1-30	30x30		6.25	12		1		1	STOP On Chapel Road		
56	4.170	Lt	W-30-48	48x24		8.00	12/12		1		2	Large double arrow (Faces side street)		
57	4.185	Rt	M-39-24	24x12		2.00	13		1		1	EAST		
			M-2-24-3	30x24		4.00			1			SR-129		
58	4.203	Lt	N-1B-40	40x20		5.56	12/12		1		2	ST. CHARLES		
59	4.969	Rt	W-24B-30	30x30		6.25	12		1		1	Offset cross road		
60	5.000	Rt	N-45-12	12x12			10	1				Mile Marker 5 (New)		
61	5.009	Rt	N-1B-40	40x20		5.56	12/12		1		2	ISIS		
TOTALS CARRIED TO GENERAL SUMMARY													181	270

SIGN REPLACEMENT CONTRACT

BUTLER COUNTY - SR-129

REF. NO.	S.L.M.	SIDE	CODE	SIZE	SIGN EXTRUSHEET	SIGN, FLAT SHEET TYPE "G"	GROUND MOUNTED SUPPORTS NO. 3 POST	SIGN, DOUBLE FACED MILEMARKER,TYPE G	REMOVAL OF GROUND MOUNTED SIGN & DISPOSAL	REMOVAL OF GROUND MOUNTED SIGN&RE-ERECTION	REMOVAL OF GROUND MOUNTED POST SUPPORT & DISPOSAL	REMARKS	
				INCHES	SQ.FT.	SQ. FT.	LIN. FT.	EACH	EACH	EACH	EACH		Calculated
62	5.141	Lt	R-1-30	30x30		6.25	12		1		1	STOP On Robinson Road	SUBSUMMARY
63	5.141	Lt	W-30-48	48x24		8.00	12/12		3		2	Large double arrow (Remove route marker)	
64	5.183	Lt	R-1-30	30x30		6.25	13		1	1	1	STOP On Gates Road (Re-erect street name)	
65	5.339	Lt	W-24B-30	30x30		6.25	13		1		1	Offset cross road	
66	5.353	Rt	N-1B-40	40x20		5.56	13/14		1		2	ISIS	
67	5.483	Rt	W-153-30	30x30		6.25	13		1		1	NARROW SHOULDER	
68	5.726	Lt	R-10-24	24x30		5.00	12		1		1	SPEED LIMIT 55	
69	5.884	Rt	W-75-30	30x30		6.25	13		1		1	TRUCK ENTRANCE	
70	5.965	Rt	W-24B-30	30x30		6.25	12		1		1	Offset cross road	
71	5.989	Rt	N-45-12						1		1	Remove Mile Marker 5	
72	5.999	Lt	R-10-24	24x30		5.00	12		1		1	SPEED LIMIT 45	BUT-4-0.00/Var
73	5.999	Rt	R-10-24	24x30		5.00	12		1		1	SPEED LIMIT 45	
74	5.999	Rt	N-45-12	12x12			9	1				Mile Marker 6 (Next to speed limit)	
75	6.029	Rt	N-1B-40	40x20		5.56	12/12		1		2	AUBURN	
76	6.066	Lt	M-40-24	24x12		2.00	12		1		1	WEST	
			M-2-24-3	30x24		5.00			1			SR-129	
77	6.103	Rt	R-1-30	30x30		12.50	2@12		2		2	STOP On Morgan Ross Road (Dual)	
78	6.105	Lt	W-75-30	30x30		6.25	12		1		1	TRUCK ENTRANCE	
79	6.158	Lt	R-1-30	30x30		6.25	12		1		1	STOP On Cochran Road	
	TOTALS CARRIED TO GENERAL SUMMARY												<div style="border: 1px solid black; border-radius: 50%; padding: 5px; display: inline-block;"> 182 270 </div>

SIGN REPLACEMENT CONTRACT

BUTLER COUNTY - SR-129

REF. NO.	S.L.M.	SIDE	CODE	SIZE	SIGN EXTRUSHEET	SIGN, FLAT SHEET TYPE "G"	GROUND MOUNTED SUPPORTS NO. 3 POST	SIGN, DOUBLE FACED MILEMARKER, TYPE G	REMOVAL OF GROUND MOUNTED SIGN & DISPOSAL	REMOVAL OF GROUND MOUNTED SIGN & RE-ERECTION	REMOVAL OF GROUND MOUNTED POST SUPPORT & DISPOSAL	REMARKS	Calculated	Checked	
				INCHES	SQ.FT.	SQ. FT.	LIN. FT.	EACH	EACH	EACH	EACH				
80	6.170	Rt	M-39-24	24x12		2.00	12		1		1	EAST	SUBSUMMARY		
			M-2-24-3	30x24		5.00			1			SR-129			
81	6.192	Rt	R-10-24	24x30		5.00	12		1		1	SPEED LIMIT 45			
82	6.216	Lt	R-10-24	24x30		5.00	12		1		1	SPEED LIMIT 45			
83	6.230	Lt	W-24B-30	30x30		6.25	13		1		1	Offset cross road			
			W-143-18	18x18		2.25			1			40 MPH advisory			
84	6.406	Lt	R-10-24	24x30		5.00	13		1		1	SPEED LIMIT 45			
85	6.453	Rt	R-10-24	24x30		5.00	12		1		1	SPEED LIMIT 45			
86	6.485	Rt	W-79-30	30x30		6.25	12		1		1	SCHOOL BUS STOP		BUT-4-0.00/Var	
87	6.554	Lt	N-1B-40	40x20		5.56	12/12		1		2	AUBURN			
88	6.565	Lt	W-80-30	30x30		6.25	12		1		1	SCHOOL BUS TURN			
89	6.598	Lt	R-10-24	24x30		5.00	12		1		1	SPEED LIMIT 45			
90	6.685	Lt	W-79-30	30x30		6.25	12		1		1	SCHOOL BUS STOP			
91	6.993	Rt	N-45-12	12x12			10	1	1		1	Mile Marker 7			
92	7.049	Rt	W-1-30	30x30		6.25	13		1		1	Right curve			
			W-143-18	18x18		2.25			1			40 MPH advisory			
93	7.223	Rt	W-10-30	30x30		6.25	12		1		1	Left winding road			
			W-143-18	18x18		2.25			1			40 MPH advisory			
	TOTALS CARRIED TO GENERAL SUMMARY												183	276	

SIGN REPLACEMENT CONTRACT

BUTLER COUNTY - SR-129

REF. NO.	S.L.M.	SIDE	CODE	SIZE	SIGN EXTRUSHEET	SIGN, FLAT SHEET TYPE "G"	GROUND MOUNTED SUPPORTS NO. 3 POST	SIGN, DOUBLE FACED MILEMARKER, TYPE G	REMOVAL OF GROUND MOUNTED SIGN & DISPOSAL	REMOVAL OF GROUND MOUNTED SIGN&RE-ERECTION	REMOVAL OF GROUND MOUNTED POST SUPPORT & DISPOSAL	REMARKS	Calculated	Checked	
				INCHES	SQ.FT.	SQ. FT.	LIN. FT.	EACH	EACH	EACH	EACH				
94	7.503	Lt	W-6-30	30x30		6.25	12		1		1	Left reverse curve	SUBSUMMARY		
			W-143-18	18x18		2.25			1			40 MPH advisory			
95	7.632	Rt	W-79-30	30x30		6.25	13		1		1	SCHOOL BUS STOP			
96	7.772	Rt	W-14-30	30x30		6.25	12		1		1	Left turn			
			W-143-18	18x18		2.25			1			25 MPH advisory			
97	7.777	Lt	W-9-30	30x30		6.25	12		1		1	Right winding road			
			W-143-18	18x18		2.25			1			40 MPH advisory			
98	7.860 - 7.876	Rt	W-33-18	18x24		18.00	3@10		6		3	6 chevrons, 3 each direction			
99	7.865	Rt	W-32-48	48x24		8.00	12/12		1		2	Large arrow (Faces EB)		BUT-4-0-00/Var	
100	7.865	Lt	W-32-48	48x24		8.00	12/12		1		2	Large arrow (Faces WB)			
101	7.959	Lt	W-13-30	30x30		6.25	12		1		1	Right turn			
			W-143-18	18x18		2.25			1			25 MPH advisory			
102	7.986	Rt	N-45-12	12x12			10	1	1		1	Mile Marker 8			
103	8.037	Rt	W-153-30						1		1	Remove narrow shoulder			
104	8.064	Lt	W-45A-36	36x36		9.00	13		1		1	STOP AHEAD symbol			
105	8.117	Rt	M-17-21	21x15		2.19	13					JCT (New location)			
			M-2-24-3	30x24		5.00						SR-748			
106	8.140		M-17-21						1		1	Remove JCT / sign			
			M-2-24-3						1			Remove SR-748 sign			
	TOTALS CARRIED TO GENERAL SUMMARY												184 270		

SIGN REPLACEMENT CONTRACT

BUTLER COUNTY - SR-129

REF. NO.	S.L.M.	SIDE	CODE	SIZE	SIGN EXTRUSHEET	SIGN, FLAT SHEET TYPE "G"	GROUND MOUNTED SUPPORTS NO. 3 POST	SIGN, DOUBLE FACED MILEMARKER,TYPE G	REMOVAL OF GROUND MOUNTED SIGN & DISPOSAL	REMOVAL OF GROUND MOUNTED SIGN&RE-ERECTION	REMOVAL OF GROUND MOUNTED POST SUPPORT & DISPOSAL	REMARKS	Calculated	Checked
				INCHES	SQ.FT.	SQ. FT.	LIN. FT.	EACH	EACH	EACH	EACH			
107	8.149	Rt	D-1G-72	72x12	6.00		12/12					↑ MILLVILLE 6 (New)		
			D-1G-72	72x12	6.00							SHANDON 6 → (New)		
108	8.203	Lt	M-40-24	24x12		2.00	13		1		1	WEST		
			M-2-24-3	30x24		5.00			1			SR-129		
109	8.206	Rt	R-1-30	30x30		6.25	13		1		1	STOP On SR-748		
			R-106-Spec	24x18		3.00			1			ONCOMING / TRAFFIC / DOES NOT STOP		
110	8.223	Lt	M-2-24-3	30x24		5.00	12		1		1	SR-748		
			M-24-21	21x15		2.19			1			Arrow		
111	8.226	Rt	M-2-24-3	30x24		5.00	12		1		1	SR-748		
			M-24-21	21x15		2.19			1			Arrow		
112	8.231	Lt	M-2-24-3	30x24		5.00	13/13		1		2	SR-748 (Mount above large arrow)		
			M-25-21	21x15		2.19			1			Right double arrow		
			W-30-48	48x24		8.00			1			48" double arrow (Faces SR-748)		
113	8.248	Rt	M-39-24	24x12		2.00			1		1	EAST		
			M-2-24-3	30x24		5.00			1			SR-129		
114	8.291	Lt	D-1G-72	72x12	6.00		13/13				2	↑ BROOKVILLE IND 19 (New sign)		
			D-1G-72	72x12	6.00				1			← SHANDON 6		
115	8.353	Lt	M-17-21	21x15		2.19	13		1		1	JCT		
			M-2-24-3	30x24		5.00			1			SR-748		
	TOTALS CARRIED TO GENERAL SUMMARY													

SUBSUMMARY

BUT-4-0.00/Var

185
270

SIGN REPLACEMENT CONTRACT

BUTLER COUNTY - SR-129

REF. NO.	S.L.M.	SIDE	CODE	SIZE	SIGN EXTRUSHEET	SIGN, FLAT SHEET TYPE "G"	GROUND MOUNTED SUPPORTS NO. 3 POST	SIGN, DOUBLE FACED MILEMARKER, TYPE G	REMOVAL OF GROUND MOUNTED SIGN & DISPOSAL	REMOVAL OF GROUND MOUNTED SIGN&RE-ERECTION	REMOVAL OF GROUND MOUNTED POST SUPPORT & DISPOSAL	REMARKS	Calculated	Checked	
				INCHES	SQ.FT.	SQ. FT.	LIN. FT.	EACH	EACH	EACH	EACH				
116	8.433	Rt	R-11A-24	24x30		5.00	13		1		1	REDUCED SPEED 35 AHEAD			
117	8.488	Rt	W-1-30	30x30		6.25	13		1		1	Right curve			
			W-143-18	18x18		2.25			1			20 MPH advisory			
118	8.525	Rt	W-47-36	36x36		9.00	13		1		1	SIGNAL AHEAD symbol			
119	8.525	Lt	W-47-36	36x36		9.00	13		1		1	SIGNAL AHEAD symbol (Faces EB)			
120	8.545	Rt	R-10-24	24x30		5.00	12		1		1	SPEED LIMIT 35			
121	8.559	Lt	R-10-24	24x30		5.00	12		1		1	SPEED LIMIT 55			
122	8.588	Rt	R-84-30						1		1	Remove School Bus Loading and Unloading sign			
123	8.604	Rt	W-47-36	36x36		9.00	13		1		1	SIGNAL AHEAD symbol			
124	8.617 - 8.643	Lt	W-33-18	18x24		32.00	4@10		8		4	8 chevrons, 4 each direction			
125	8.623	Rt	M-17-21	21x15		2.19	13		1		1	JCT			
			M-1-24-2	24x24		4.00			1			US-127			
	Village of Millville														
	Re-set on Millville Corp. at 9.490														
126	9.509	Lt	R-1-30	30x30		6.25	12		1		1	STOP On Norman Road			
	TOTALS CARRIED TO GENERAL SUMMARY														

SUBSUMMARY

BUT-4-0.00/Var

186
270

SIGN REPLACEMENT CONTRACT

BUTLER COUNTY - SR-129

REF. NO.	S.L.M.	SIDE	CODE	SIZE	SIGN EXTRUSHEET	SIGN, FLAT SHEET TYPE "G"	GROUND MOUNTED SUPPORTS NO. 3 POST	SIGN, DOUBLE FACED MILEMARKER,TYPE G	REMOVAL OF GROUND MOUNTED SIGN & DISPOSAL	REMOVAL OF GROUND MOUNTED SIGN&RE-ERECTION	REMOVAL OF GROUND MOUNTED POST SUPPORT & DISPOSAL	REMARKS	Calculated	Checked
				INCHES	SQ.FT.	SQ. FT.	LIN. FT.	EACH	EACH	EACH	EACH			
127	9.509	Rt	W-78-24	24x8		1.33	13		1	1	1	SCHOOL (Re-erect reflective strips)	SUBSUMMARY	
			R-10-24	24x30		5.00			1			SPEED LIMIT 20		
			R-18-24	24x10		1.67			1			Restricted hour sign		
128	9.529	Rt	W-2-30	30x30		6.25	12		1		1	Left curve		
129	9.556	Rt	R-1-30	30x30		6.25	12		1		1	STOP On Santa Marie Road		
130	9.563	Rt	W-81-30	30x30		6.25	12		1		1	School Crossing symbol		
			WP-81-24	24x18		3.00			1			CROSS WALK		
131	9.563	Lt	W-81-30	30x30		6.25	12		1		1	School Crossing symbol		
			WP-81-24	24x18		3.00			1			CROSS WALK		
132	9.589	Rt	R-10-24	24x30		5.00	12		1		1	SPEED LIMIT 45		BUT-4-0.00/Var
133	9.620	Rt	W-26-30	30x30		6.25	12		1		1	Side street		
134	9.677	Lt	W-78-24	24x8		1.33	13		1		1	SCHOOL		
			R-10-24	24x30		5.00			1			SCHOOL LIMIT 20		
			R-18-24	24x10		1.67			1			Restricted hour sign		
135	9.734	Lt	R-11B-24						1		1	Remove Reduced Speed Ahead sign		
136	9.750	Lt	W-82-30	30x30		6.25	13		1		1	Advance School Crossing		
			W-78-30	30x10		2.08			1			SCHOOL		
137	9.751	Rt	R-10-24	24x30		5.00	12		1		1	SPEED LIMIT 45		
138	9.757	Lt	R-1-30	30x30		6.25	12		1		1	STOP On Rosary Ct.		
	TOTALS CARRIED TO GENERAL SUMMARY												187 270	

SIGN REPLACEMENT CONTRACT

BUTLER COUNTY - SR-129

REF. NO.	S.L.M.	SIDE	CODE	SIZE	SIGN EXTRUSHEET	SIGN, FLAT SHEET TYPE "G"	GROUND MOUNTED SUPPORTS NO. 3 POST	SIGN, DOUBLE FACED MILEMARKER, TYPE G	REMOVAL OF GROUND MOUNTED SIGN & DISPOSAL	REMOVAL OF GROUND MOUNTED SIGN & RE-ERECTION	REMOVAL OF GROUND MOUNTED POST SUPPORT & DISPOSAL	REMARKS	Calculated	Checked
													INCHES	SQ. FT.
139	9.817	Lt	W-1-30	30x30		6.25	12		1		1	Right curve	SUBSUMMARY	
			W-143-18	18x18		2.25			1			40 MPH advisory		
140	9.875	Rt	R-10-24	24x30		5.00	12		1		1	SPEED LIMIT 45		
141	9.878	Lt	R-10-24	24x30		5.00	12		1		1	SPEED LIMIT 45		
142	9.916	Rt	W-24-30	30x30		6.25	13		1		1	Cross road		
143	9.949	Lt	W-26-30	30x30		6.25	13					Side road (New)		
144	9.980	Rt	N-45-12	12x12			10	1				Mile Marker 10 (New)		
145	10.007	Rt	R-1-30	30x30		6.25	12		1		1	STOP On Columbus St.		
146	10.007	Lt	R-1-30	30x30		6.25	12		1		1	STOP On Columbus St.	BUT-4-0.00/Var	
147	10.020	Rt	N-45-12						1		1	Remove Mile Marker 10		
148	10.139	Lt	R-1-30	30x30		6.25	12		1		1	STOP On Sir Martin Rd.		
149	10.154	Rt	R-10-24	24x30		5.00	12		1		1	SPEED LIMIT 45		
150	10.183	Lt	W-24-30	30x30		6.25	12		1		1	Cross road		
151	10.344	Lt	R-10-24	24x30		5.00	12		1		1	SPEED LIMIT 45		
152	10.366	Lt	R-1-30	30x30		6.25	12		1		1	STOP On Carldon Rd.		
153	10.489	Rt	R-10-24	24x30		5.00	12		1		1	SPEED LIMIT 45		
154	10.538	Rt					13/13			1	2	Re-erect Adopt A Hwy		
155	10.623	Lt	R-10-24	24x30		5.00	12		1		1	SPEED LIMIT 45		
156	10.649	Rt	R-10-24	24x30		5.00	12		1		1	SPEED LIMIT 45		
TOTALS CARRIED TO GENERAL SUMMARY														

188
270

SIGN REPLACEMENT CONTRACT

BUTLER COUNTY - SR-129

REF. NO.	S.L.M.	SIDE	CODE	SIZE	SIGN EXTRUSHEET	SIGN, FLAT SHEET TYPE "G"	GROUND MOUNTED SUPPORTS NO. 3 POST	SIGN, DOUBLE FACED MILEMARKER, TYPE G	REMOVAL OF GROUND MOUNTED SIGN & DISPOSAL	REMOVAL OF GROUND MOUNTED SIGN&RE-ERECTION	REMOVAL OF GROUND MOUNTED POST SUPPORT & DISPOSAL	REMARKS	
				INCHES	SQ.FT.	SQ. FT.	LIN. FT.	EACH	EACH	EACH	EACH		Calculated Checked
157	10.693	Rt	W-1-30	30x30		6.25	12		1		1	Right curve	SUBSUMMARY
158	10.737	Rt	W-24-30						1		1	Remove cross road sign	
159	10.737	Rt	W-47-36	36x36		9.00	12					SIGNAL AHEAD symbol (In place of W-24)	
160	10.792	Rt	W-47-36						1		1	Remove Signal Ahead	
161	10.828	Lt	M-40-24	24x12		2.00	12		1		1	WEST	
			M-2-24-3	30x24		5.00						SR-129	
162	10.832	Lt	R-10-24	24x30		5.00	12		1		1	SPEED LIMIT 45	
163	10.871	Rt	M-39-24	24x12		2.00	12		1		1	EAST	
			M-2-24-3	30x24		5.00			1			SR-129	
164	10.885	Rt	R-10-24	24x30		5.00	12		1		1	SPEED LIMIT 45	
165	10.914	Lt	W-47-36						1		1	Remove Signal Ahead	BUT-4-0,00/Var
166	10.959	Lt	W-47-36	36x36		9.00	13					SIGNAL AHEAD symbol (New location)	
167	10.959	Lt	W-24-30						1		1	Remove cross road sign	
168	10.959	Rt	W-24-30						1		1	Remove cross road sign	
169	11.000	Rt	N-45-12	12x12			10	1				Mile Marker 11 (New location)	
170	11.006	Lt	R-10-24	24x30		5.00	12		1		1	SPEED LIMIT 45	
171	11.031	Rt	W-75-30	30x30		6.25	12		2		1	CHURCH ENTRANCE / remove mile marker	
172	11.042	Lt	W-2-30	30x30		6.25	12		1		1	Left curve	
173	11.049	Rt	R-1-30	30x30		6.25	12		1		1	STOP On Greenlea Rd.	
	TOTALS CARRIED TO GENERAL SUMMARY												<div style="border: 1px solid black; border-radius: 50%; width: 30px; height: 30px; display: flex; flex-direction: column; align-items: center; justify-content: center;"> 189 <hr style="width: 100%;"/> 270 </div>

SIGN REPLACEMENT CONTRACT

BUTLER COUNTY - SR-129

REF. NO.	S.L.M.	SIDE	CODE	SIZE	SIGN EXTRUSHEET	SIGN, FLAT SHEET TYPE "G"	GROUND MOUNTED SUPPORTS NO. 3 POST	SIGN, DOUBLE FACED MILEMARKER, TYPE G	REMOVAL OF GROUND MOUNTED SIGN & DISPOSAL	REMOVAL OF GROUND MOUNTED SIGN&RE-ERECTION	REMOVAL OF GROUND MOUNTED POST SUPPORT & DISPOSAL	REMARKS	
				INCHES	SQ.FT.	SQ. FT.	LIN. FT.	EACH	EACH	EACH	EACH		
174	11.079	Rt	R-10-24	24x30		5.00	12		1		1	SPEED LIMIT 45	SUBSUMMARY
175	11.195	Lt	W-75-30	30x30		6.25	12		1		1	CHURCH ENTRANCE	
176	11.285	Rt	W-26-30	30x30		6.25	12		1		1	Side road	
177	11.285	Lt	R-10-24	24x30		5.00	12		1		1	SPEED LIMIT 45	
178	11.345	Rt	N-1-40	40x20		5.56	12/13				1	HAMILTON CORPORATION LIMIT	
			N-1A-40	40x20		5.56					1	HANOVER TOWNSHIP LIMIT	BUT-4-0.00/Var
												(Signs back to back)	
												Existing Hamilton City sign to be returned to City	
TOTALS CARRIED TO GENERAL SUMMARY						104.50	1034.35	2311	11	242	3	196	

Calculated _____
 Checked _____

190
 270

SIGN REPLACEMENT CONTRACT

BUTLER COUNTY - SR-130

REF. NO.	S.L.M.	SIDE	CODE	SIZE	SIGN EXTRUSHEET	SIGN, FLAT SHEET TYPE "G"	GROUND MOUNTED SUPPORTS NO. 3 POST	SIGN, DOUBLE FACED MILEMARKER, TYPE G	REMOVAL OF GROUND MOUNTED SIGN & DISPOSAL	REMOVAL OF GROUND MOUNTED SIGN&RE-ERECTION	REMOVAL OF GROUND MOUNTED POST SUPPORT & DISPOSAL	REMARKS			
	0.000 - US-27			INCHES	SQ.FT.	SQ. FT.	LIN. FT.	EACH	EACH	EACH	EACH		SUBSUMMARY	Calculated	Checked
1	0.010	Rt	N-45-12	12x12			9	1				Mile Marker 0 (New location)			
2	0.017	Rt	N-45-12						1		1	Remove Mile Marker 0			
3	0.017	Lt	R-1-30	30x30		6.25	12		1		1	Stop on Lane Mill Road			
4	0.028	Rt	M-40-24	24x12		2.00	12					EAST (New location)			
			M-2-24-3	30x24		5.00						SR-130			
5	0.052	Rt	D-1G-72	72x12	6.00		12/12		1		2	↑ HAMILTON 8			
			M-40-24						1			Remove Route Marker from D-1G-72 sign			
			M-2-24-3						1						
6	0.061	Lt	D-1G-72	72x12	6.00		12/13		1		2	← MILLVILLE 4			
			D-1G-72	72x12	6.00				1			OXFORD 6 →			
7	0.089	Rt	R-10-24	24x30		5.00	12		1		1	SPEED LIMIT 55			
8	0.098	Lt	M-17-21	21x15		2.19	12		1		1	JCT			
			M-1-24-2	24x24		4.00			1			US-27			
9	0.127	Lt	W-26-30	30x30		6.25	12		1		1	Side road			
10	0.164	Lt	W-47-36	36x36		9.00	13		1		1	Signal Ahead symbol			
11	0.806	Rt	W-5-30	30x30		6.25	12		1		1	Right reverse curve			
12	0.886	Rt	W-79-30	30x30		6.25	12		1		1	SCHOOL BUS STOP			
13	0.926	Rt	W-24-30	30x30		6.25	12		1		1	Cross road			
14	0.945	Rt	N-45-12						1		1	Remove Mile Marker 1			
	TOTALS CARRIED TO GENERAL SUMMARY												191	270	

BUT-4-0.00/Var

191
270

SIGN REPLACEMENT CONTRACT

BUTLER COUNTY - SR-130

REF. NO.	S.L.M.	SIDE	CODE	SIZE	SIGN EXTRUSHEET	SIGN, FLAT SHEET TYPE "G"	GROUND MOUNTED SUPPORTS NO. 3 POST	SIGN, DOUBLE FACED MILEMARKER, TYPE G	REMOVAL OF GROUND MOUNTED SIGN & DISPOSAL	REMOVAL OF GROUND MOUNTED SIGN&RE-ERECTION	REMOVAL OF GROUND MOUNTED POST SUPPORT & DISPOSAL	REMARKS	Calculated	
													INCHES	SQ.FT.
15	0.991	Lt	M-40-24	24x12		2.00	12		1		1	WEST	SUBSUMMARY	
			M-2-24-3	30x24		5.00			1			SR-130		
16	1.000	Rt	N-45-12	12x12			10	1				Mile Marker 1 (New location)		
17	1.023	Rt	R-1-30	30x30		6.25	12		1		1	STOP On Darrtown Road		
18	1.023	Lt	R-1-30	30x30		6.25	12		1		1	STOP On Darrtown Road		
19	1.048	Rt	M-39-24	24x12		2.00	12		1		1	EAST		
			M-2-24-3	30x24		5.00			1			SR-130		
20	1.111	Lt	W-2-30	30x30		6.25	12		1		1	Left curve		
			W-143-18	18x18		2.25			1			45 MPH advisory		
21	1.174	Lt	W-24-30	30x30		6.25	12		1		1	Cross road		
22	1.212	Lt	W-79-30	30x30		6.25	12		1		1	SCHOOL BUS STOP	BUT-4-0.00/Var	
23	1.250	Lt	W-5-30	30x30		6.25	12		1		1	Right reverse curve		
			W-143-18	18x18					1			Remove 50 MPH advisory		
24	1.882	Lt	W-92-36	36x36		9.00	13		1		1	Fire House symbol		
25	1.934	Rt	N-45-12						1		1	Remove Mile Marker 2		
26	1.941	Lt	W-24-30	30x30		6.25	12		1		1	Cross road		
			W-143-18	18x18		2.25			1			45 MPH advisory		
27	2.000	Rt	N-45-12	12x12			10	1				Mile Marker 2 (New location)		
	TOTALS CARRIED TO GENERAL SUMMARY												192	
													276	

SIGN REPLACEMENT CONTRACT

BUTLER COUNTY - SR-130

REF. NO.	S.L.M.	SIDE	CODE	SIZE	SIGN EXTRUSHEET	SIGN, FLAT SHEET TYPE "G"	GROUND MOUNTED SUPPORTS NO. 3 POST	SIGN, DOUBLE FACED MILEMARKER, TYPE G	REMOVAL OF GROUND MOUNTED SIGN & DISPOSAL	REMOVAL OF GROUND MOUNTED SIGN&RE-ERECTION	REMOVAL OF GROUND MOUNTED POST SUPPORT & DISPOSAL	REMARKS	SUBSUMMARY		
													INCHES	SQ.FT.	SQ. FT.
28	2.095	Lt	M-40-24						1		1	Remove Route Marker direction sign	SUBSUMMARY		
			M-2-24-3						1			Remove SR-130 sign			
29	2.125	Lt	R-1-30	30x30		6.25	12		1		1	STOP On Morman Road			
30	2.125	Rt	R-1-30	30x30		12.50	12/12		2		2	STOP On Morman Road (Dual)			
31	2.132	Lt	R-55R-12	12x18		1.50	12		1		1	NO PARKING →			
32	2.143	Lt	R-55-12	12x18		1.50	12		1		1	NO PARKING ↔			
33	2.152	Lt	R-55-12	12x18		1.50	12		1		1	NO PARKING ↔			
34	2.166	Lt	R-55L-12	12x18		1.50	12		1		1	NO PARKING ←			
35	2.166	Rt	M-39-24						1		1	Remove Route Marker direction sign		BUT-4-0.00/Var	
			M-2-24-3						1			Remove SR-130 sign			
36	2.191	Lt	W-5-30	30x30		6.25	12		1		1	Right reverse curve (Faces EB)			
37	2.194	Rt	W-5-30	30x30		6.25	12		1		1	Right reverse curve			
38	2.220	Lt	W-92-36	36x36		6.25	13		1		1	Fire House symbol			
39	2.257	Lt	W-24-30	30x30		6.25	12		1		1	Cross road			
			W-143-18	18x18		2.25			1			45 MPH advisory			
40	2.307 - 2.327	Lt	W-33-18	18x24		12.00	2@10		4		2	4 chevrons (2 each direction)			
41	2.538	Rt	W-26-30	30x30		6.25	12		1		1	Side road			
42	2.547 - 2.580	Rt	W-33-18	18x24		24.00	4@10		8		4	8 chevrons (4 each direction)			
43	2.645	Lt	R-10-24	24x30		5.00	12		2		1	SPEED LIMIT 55 / Remove END 45 MPH signs			
	TOTALS CARRIED TO GENERAL SUMMARY													<div style="border: 1px solid black; border-radius: 50%; width: 30px; height: 30px; display: flex; align-items: center; justify-content: center; margin: 0 auto;"> 193 <div style="border: 1px solid black; border-radius: 50%; width: 30px; height: 30px; display: flex; align-items: center; justify-content: center;"> 270 </div> </div>	

SIGN REPLACEMENT CONTRACT

BUTLER COUNTY - SR-130

REF. NO.	S.L.M.	SIDE	CODE	SIZE	SIGN EXTRUSHEET	SIGN, FLAT SHEET TYPE "G"	GROUND MOUNTED SUPPORTS NO. 3 POST	SIGN, DOUBLE FACED MILEMARKER, TYPE G	REMOVAL OF GROUND MOUNTED SIGN & DISPOSAL	REMOVAL OF GROUND MOUNTED SIGN&RE-ERECTION	REMOVAL OF GROUND MOUNTED POST SUPPORT & DISPOSAL	REMARKS	Calculated		Checked		
													INCHES	SQ.FT.	SQ. FT.	LIN. FT.	EACH
44	2.658	Rt	W-79-30	30x30		6.25	12		1		1	SCHOOL BUS STOP	SUBSUMMARY				
45	2.670	Lt	M-40-24						1		1	Remove Route Marker direction sign					
			M-2-24-3						1			Remove SR-130 sign					
46	2.694	Lt	R-1-30	30x30		6.25	12		1		1	STOP On Krucker Road					
47	2.694	Rt	R-11A-24	24x30		5.00	12		1		1	REDUCED SPEED 45 AHEAD					
48	2.715	Rt	M-39-24						1		1	Remove Route Marker direction sign					
			M-2-24-3						1			Remove SR-130 sign					
49	2.734	Lt	W-5-30	30x30		6.25	12		1		1	Right reverse curve					
50	2.734	Rt	W-5-30	30x30		6.25	12		1		1	Right reverse curve (Faces WB)					
51	2.805	Lt	W-26-30	30x30		6.25	12		1		1	Side road		BUT-4-0.00/Var			
			W-143-18	18x18		2.25			1			45 MPH advisory					
52	2.851	Rt	R-10-24	24x30		5.00	12		1		1	SPEED LIMIT 45					
53	2.922	Rt	W-166-36	36x36		9.00	13		1		1	WATCH FOR STOPPED TRAFFIC					
54	2.935	Rt	N-45-12						1		1	Remove Mile Marker 3					
55	3.000	Rt	N-45-12	12x12			10	1				Mile Marker 3 (New location)					
56	3.117	Rt	W-26-30	30x30		6.25	12		1		1	Side road					
			W-143-18	18x18		2.25			1			35 MPH advisory					
57	3.159	Lt	M-39-40						1		1	Remove Route Marker direction sign					
			M-2-24-3						1			Remove SR-130 sign					
TOTALS CARRIED TO GENERAL SUMMARY																	<div style="border: 1px solid black; border-radius: 50%; width: 30px; height: 30px; display: flex; align-items: center; justify-content: center; margin: 0 auto;"> 194 270 </div>

SIGN REPLACEMENT CONTRACT

BUTLER COUNTY - SR-130

REF. NO.	S.L.M.	SIDE	CODE	SIZE	SIGN EXTRUSHEET	SIGN, FLAT SHEET TYPE "G"	GROUND MOUNTED SUPPORTS NO. 3 POST	SIGN, DOUBLE FACED MILEMARKER, TYPE G	REMOVAL OF GROUND MOUNTED SIGN & DISPOSAL	REMOVAL OF GROUND MOUNTED SIGN&RE-ERECTION	REMOVAL OF GROUND MOUNTED POST SUPPORT & DISPOSAL	REMARKS	Calculated	Checked
				INCHES	SQ.FT.	SQ. FT.	LIN. FT.	EACH	EACH	EACH	EACH			
58	3.126	Lt	R-10-24	24x30		5.00	12		1		1	SPEED LIMIT 45		
59	3.181	Lt	W-79-30	30x30		6.25	12		1		1	SCHOOL BUS STOP		
60	3.188	Rt	R-1-30	30x30		6.25	12		1		1	STOP On Boyle Road		
61	3.207	Rt	M-40-24						1		1	Remove Route Marker direction sign		
			M-2-24-3						1			Remove SR-130 sign		
62	3.218	Rt	R-10-24	24x30		5.00	12		1		1	SPEED LIMIT 45		
63	3.254	Lt	W-26-30	30x30		6.25	12		1		1	Side road		
			W-143-18	18x18		2.25			1			35 MPH advisory		
64	3.326	Rt	W-75-30	30x30		6.25	12		1		1	THEATER ENTRANCE		
65	3.560	Rt	W-26-30	30x30		6.25	12		1		1	Side Road		
66	3.560	Lt	R-10-24	24x30		5.00	12		1		1	SPEED LIMIT 45		
67	3.809	Lt	W-75-30	30x30		6.25	12		1		1	THEATER ENTRANCE		
68	3.677	Lt	M-40-24	24x12		2.00	12		1		1	WEST		
			M-2-24-3	30x24		5.00			1			SR-130		
69	3.695	Lt	R-1-30	30x30		12.50	2@12		2		2	STOP On Vizedom (Dual)		
70	3.713	Rt	M-39-40	24x12		2.00	12		1		1	EAST		
			M-2-24-3	30x24		5.00			1			SR-130		
71	3.727	Rt	R-10-24	24x30		5.00	12		1		1	SPEED LIMIT 45		
72	3.778	Lt	W-26-30	30x30		6.25	12		1		1	Side Road		
	TOTALS CARRIED TO GENERAL SUMMARY													

SUBSUMMARY

BUT-4-0.00/Var

195
276

SIGN REPLACEMENT CONTRACT

BUTLER COUNTY - SR-177

REF. NO.	S.L.M.	SIDE	CODE	SIZE	SIGN EXTRUSHEET	SIGN, FLAT SHEET TYPE "G"	GROUND MOUNTED SUPPORTS NO. 3 POST	SIGN, DOUBLE FACED MILEMARKER, TYPE G	REMOVAL OF GROUND MOUNTED SIGN & DISPOSAL	REMOVAL OF GROUND MOUNTED SIGN & RE-ERECTION	REMOVAL OF GROUND MOUNTED POST SUPPORT & DISPOSAL	REMARKS	Calculated	Checked
	Start at SR-130 = 3.690			INCHES	SQ.FT.	SQ. FT.	LIN. FT.	EACH	EACH	EACH	EACH			
1	3.707	Rt	M-2-24-3	30x24		5.00	14/14		1		2	SR-130 (On top of corp. sign)	SUBSUMMARY	
			M-24-21	21x15		2.19			1			Single horizontal arrow		
			M-2-24-3	30x24		5.00			1			SR-177 (On top of corp. sign)		
			M-26-21	21x15		2.19			1			Vertical arrow		
			N-1A-40	40x20		5.56			1			HANOVER TOWNSHIP		
2	3.707	Lt	R-31A-36	36x30		7.50	12		1		1	LT/TH,RT		
3	3.710	Lt										Hamilton Corp. sign, do not disturb		
4	3.722	Rt	R-33-24	24x30		5.00	12		1		1	DO NOT PASS		
5	3.744	Rt	M-37-24	24x12		2.00	12		1		1	NORTH	BUT-4-0-00/Var	
			M-2-24-3	30x24		5.00			1			SR-177		
6	3.763	Lt	R-31A-36	36x30		7.50	12		1		1	LT/TH,RT		
7	3.800	Lt	M-17-21	21x15		2.19	12		1		1	JCT		
			M-2-24-3	30x24		5.00			1			SR-130		
8	3.815	Rt	W-71-30	30x30		6.25	12		1		1	Two Way Traffic symbol		
			WP-71-24						1			Remove Two Way Traffic symbol sign		
9	3.873	Lt	W-47-36	36x36		9.00	12		1		1	Signal Ahead symbol		
			W-143-18						1			Remove advisory plate		
10	3.890	Lt	W-86-36						1		1	Remove divided highway sign		
11	3.899	Rt	R-10-24	24x30		5.00	12					SPEED LIMIT 55 (New location)		
	TOTALS CARRIED TO GENERAL SUMMARY												198	270

SIGN REPLACEMENT CONTRACT

BUTLER COUNTY - SR-177

REF. NO.	S.L.M.	SIDE	CODE	SIZE	SIGN EXTRUSHEET	SIGN, FLAT SHEET TYPE "G"	GROUND MOUNTED SUPPORTS NO. 3 POST	SIGN, DOUBLE FACED MILEMARKER,TYPE G	REMOVAL OF GROUND MOUNTED SIGN & DISPOSAL	REMOVAL OF GROUND MOUNTED SIGN&RE-RECTION	REMOVAL OF GROUND MOUNTED POST SUPPORT & DISPOSAL	REMARKS	Calculated	Checked
				INCHES	SQ.FT.	SQ. FT.	LIN. FT.	EACH	EACH	EACH	EACH			
12	3.945	Rt	N-45-12						1		1	Remove Mile Marker 4		
13	4.000	Rt	N-45-12	12x12			10	1				Mile Marker 4		
14	4.036	Lt	W-79-30	30x30		6.25	12		1		1	SCHOOL BUS STOP		
15	4.314	Rt	R-1-30	30x30		6.25	12		1		1	STOP On Woodridge Road		
16	4.335	Rt	W-5-30	30x30		6.25	13		1			Right reverse curve		
17	4.444	Lt	W-26-30	30x30		6.25	14					Side road (New)		
18	4.580	Lt	W-79-30	30x30		6.25	12		1		1	SCHOOL BUS STOP		
19	4.637	Rt	W-26-30	30x30		6.25	12		1		1	Side road		
20	4.664	Lt	R-1-30	30x30		6.25	12		1		1	STOP On Jesse Road		
21	4.705	Lt	W-5-30	30x30		6.25	12		1		1	Right reverse curve		
22	4.764	Lt	M-38-24	24x12		2.00	12		1		1	SOUTH		
			M-2-24-3	30x24		5.00			1			SR-177		
23	4.792	Rt	R-1-30	30x30		6.25	12		1		1	STOP On Beisinger Road		
24	4.820	Rt	M-37-24	24x12		2.00	12		1		1	NORTH		
			M-2-24-3	30x24		5.00			1			SR-177		
25	4.827	Rt	W-75-30						1		1	Remove CHURCH ENTRANCE		
26	4.908	Lt	W-26-30	30x30		6.25	13		1		1	Side road		
			W-43-18	18x18		2.25			1			45 MPH advisory		
27	4.973	Rt	N-45-12						1		1	Remove Mile Marker 5		
	TOTALS CARRIED TO GENERAL SUMMARY													

Calculated
Checked

SUBSUMMARY

BUT-4-0.00/Var

199
270

SIGN REPLACEMENT CONTRACT

BUTLER COUNTY - SR-177

REF. NO.	S.L.M.	SIDE	CODE	SIZE	SIGN EXTRUSHEET	SIGN, FLAT SHEET TYPE "G"	GROUND MOUNTED SUPPORTS NO. 3 POST	SIGN, DOUBLE FACED MILEMARKER,TYPE G	REMOVAL OF GROUND MOUNTED SIGN & DISPOSAL	REMOVAL OF GROUND MOUNTED SIGN&RE-ERECTION	REMOVAL OF GROUND MOUNTED POST SUPPORT & DISPOSAL	REMARKS	Calculated	Checked	
				INCHES	SQ.FT.	SQ. FT.	LIN. FT.	EACH	EACH	EACH	EACH				
28	5.000	Rt	N-45-12	12x12			10	1				Mile Marker 5 (New location)	SUBSUMMARY		
29	5.201	Rt	W-26-30	30x30		6.25	12		1		1	Side road			
30	5.259	Rt	R-84-30						1		1	Remove School Bus Loading and Unloading sign			
31	5.303	Lt	R-1-30	30x30		6.25	12		1		1	STOP On Vizedom Road			
32	5.404	Lt	W-26-30	30x30		6.25	12		1		1	Side road			
33	5.616	Rt	W-26-30	30x30		6.25	12		1		1	Side road			
34	5.727	Lt	M-38-24	24x12		2.00	12		1		1	SOUTH			
			M-2-24-3	24x30		5.00			1			SR-177			
35	5.745	Lt	R-1-30	30x30		6.25	12		1		1	STOP On Stillwell Beckett Road		BUT-4-0.00/Var	
36	5.745	Rt	M-2-24-3						1			Remove route marker direction sign			
			M-25-21						1			Remove SR-177 sign			
			W-30-48	48x24		8.00	12/12		1		2	Large double arrow			
37	5.773	Rt	M-37-24	24x12		2.00	12		1		1	NORTH			
			M-2-24-3	30x24		5.00			1			SR-177			
38	5.848	Lt	W-26-30	30x30		6.25	12		1		1	Side road			
39	5.921	Rt	W-26-30	30x30		6.25	12		1		1	Side road			
40	5.973	Rt	N-45-12						1		1	Remove Mile Marker 6			
41	6.000	Lt	M-38-24						1		1	Remove route marker direction sign			
			M-2-24-3						1			Remove SR-177 sign			
	TOTALS CARRIED TO GENERAL SUMMARY												200	270	

SIGN REPLACEMENT CONTRACT

BUTLER COUNTY - SR-177

REF. NO.	S.L.M.	SIDE	CODE	SIZE	SIGN EXTRUSHEET	SIGN, FLAT SHEET TYPE "G"	GROUND MOUNTED SUPPORTS NO. 3 POST	SIGN, DOUBLE FACED MILEMARKER, TYPE G	REMOVAL OF GROUND MOUNTED SIGN & DISPOSAL	REMOVAL OF GROUND MOUNTED SIGN&RE-ERECTION	REMOVAL OF GROUND MOUNTED POST SUPPORT & DISPOSAL	REMARKS	Calculated	Checked
				INCHES	SQ.FT.	SQ. FT.	LIN. FT.	EACH	EACH	EACH	EACH			
42	6.000	Rt	N-45-12	12x12			9	1				Mile Marker 6 (New location)	SUBSUMMARY	
43	6.026	Rt	R-1-30	30x30		6.25	13		1		1	STOP On Hogue Road		
44	6.057	Rt	M-37-24						1		1	Remove route marker direction sign		
			M-2-24-3						1			Remove SR-177 sign		
45	6.089	Rt	W-76D-30	30x30		6.25	13		1		1	Deer Crossing symbol		
46	6.105	Rt	W-79-30	30x30		6.25	13		1		1	SCHOOL BUS STOP		
47	6.170	Lt	W-26-30	30x30		6.25	12		1		1	Side street		
48	6.305	Rt	R-1-30	30x30		6.25	12		1		1	STOP On Washburn Road		
49	6.405	Lt	W-79-30	30x30		6.25	12		1		1	SCHOOL BUS STOP		
50	6.615	Lt	W-79-30	30x30		6.25	12		1		1	SCHOOL BUS STOP		
51	6.747	Rt	R-10-24	24x30		5.00	12		1		1	SPEED LIMIT 55 MPH	BUT-4-0.00/Var	
52	6.997	Rt	N-45-12	12x12			10	1	1		1	Mile Marker 7		
53	7.034	Rt	W-26-30	30x30		6.25	12		1		1	Side street		
54	7.184	Lt	M-38-24	24x12		2.00	12		1		1	SOUTH		
			M-2-24-3	30x24		5.00			1			SR-177		
55	7.202	Lt	R-1-30	30x30		6.25	12		1		1	STOP On Nichols Road		
56	7.229	Rt	M-37-24	24x12		2.00	12		1		1	NORTH		
			M-2-24-3	30x24		5.00			1			SR-177		
57	7.314	Lt	W-26-30	30x30		6.25	12		1		1	Side road		
	TOTALS CARRIED TO GENERAL SUMMARY													201 270

SIGN REPLACEMENT CONTRACT

BUTLER COUNTY - SR-177

REF. NO.	S.L.M.	SIDE	CODE	SIZE	SIGN EXTRUSHEET	SIGN, FLAT SHEET TYPE "G"	GROUND MOUNTED SUPPORTS NO. 3 POST	SIGN, DOUBLE FACED MILEMARKER,TYPE G	REMOVAL OF GROUND MOUNTED SIGN & DISPOSAL	REMOVAL OF GROUND MOUNTED SIGN&RE-ERECTION	REMOVAL OF GROUND MOUNTED POST SUPPORT & DISPOSAL	REMARKS	Calculated	Checked
				INCHES	SQ.FT.	SQ. FT.	LIN. FT.	EACH	EACH	EACH	EACH			
58	7.833	Rt	R-1-30	30x30		6.25	12		1		1	STOP On Billy Circle		
59	7.996	Rt	N-45-12	12x12			9	1	1		1	Mile Marker 8		
60	8.055	Rt					10/10		1		2	Re-erect Adopt-A-Hwy sign		
61	8.855	Lt	R-10-24	24x30		5.00	12		1		1	SPEED LIMIT 55 MPH		
62	8.935	Rt	R-11B-24	24x30		5.00	12		1		1	REDUCED SPEED AHEAD		
63	9.000	Rt	N-45-12	12x12			10	1	1		1	Mile Marker 9		
64	9.084	Rt	R-10-24	24x30		5.00	12		1		1	SPEED LIMIT 35		
65	9.097	Lt	R-10-24	24x30		5.00	12		1		1	SPEED LIMIT 35		
66	9.114	Rt	N-1B-40	40x20		5.56	13/14		1		2	DARRTOWN		
										2		Re-erect memorial / neighborhood watch sign		
67	9.142	Rt	W-13-60	30x30		6.25	12		1		1	Right turn		
			W-143-18	18x18		2.25			1			20 MPH advisory		
68	9.142	Lt	W-13-60	30x30		6.25	12		1		1	Right turn (Faces NB)		
			W-143-18	18x18		2.25			1			20 MPH advisory		
69	9.192	Rt	W-79-30	30x30		6.25	12		1		1	SCHOOL BUS STOP		
70	9.214	Lt	M-38-24	24x12		2.00	12		1		1	SOUTH		
			M-2-24-3	30x24		5.00			1			SR-177		
71	9.220 - 9.274	Lt	W-33-18	18x24		42.00	7@10		14		7	14 chevrons, 7 each direction		
72	9.223	Lt	W-32-48	48x24		8.00	12/12		1		2	Large arrow (Faces NB)		
	TOTALS CARRIED TO GENERAL SUMMARY													

SUBSUMMARY

BUT-4-0.00/Var

202
270

SIGN REPLACEMENT CONTRACT

BUTLER COUNTY - SR-177

REF. NO.	S.L.M.	SIDE	CODE	SIZE	SIGN EXTRUSHEET	SIGN, FLAT SHEET TYPE "G"	GROUND MOUNTED SUPPORTS NO. 3 POST	SIGN, DOUBLE FACED MILEMARKER,TYPE G	REMOVAL OF GROUND MOUNTED SIGN & DISPOSAL	REMOVAL OF GROUND MOUNTED SIGN&RE-ERECTION	REMOVAL OF GROUND MOUNTED POST SUPPORT & DISPOSAL	REMARKS	Calculated	Checked
				INCHES	SQ.FT.	SQ. FT.	LIN. FT.	EACH	EACH	EACH	EACH			
73	9.233	Lt	W-32-48	48x24		8.00	12/12		1		2	Large arrow (Faces SB)	SUBSUMMARY	
74	9.249	Lt	W-32-48	48x24		8.00	12/12		1		2			
75	9.249	Lt	W-32-48	48x24		8.00	12/12		1		2			
76	9.250	Lt	R-1-30	30x30		6.25	12		1		1	STOP On Scott Road		
77	9.250	Rt	R-1-30	30x30		6.25	12		1		1	STOP On Scott Road		
78	9.336	Rt	R-1-30	30x30		6.25	12		1		1	STOP On Shollenbarger Road		
79	9.336	Lt	R-1-30	30x30		6.25	12		1		1	STOP On Mulberry Road		
80	9.351	Rt	W-92-36	36x36		9.00	13		1		1	Firehouse symbol		
			W-13-30	30x30		6.25			1			Right turn mounted on back of firehouse		
			W-143-18	18x18		2.25			1			20 MPH advisory sign, facing SB		
81	9.351	Lt	W-13-30	30x30		6.25	12		1		1	Right turn	BUT-4-0.00/Var	
			W-143-18	18x18		2.25			1			20 MPH advisory		
82	9.403	Rt	R-10-24	24x30		5.00	12		1		1	SPEED LIMIT 35		
83	9.409	Lt	R-10-24	24x30		5.00	12		1		1	SPEED LIMIT 35		
84	9.421	Lt	R-1-30	30x30		6.25	12		1		1	STOP On Oxford Street		
85	9.421	Rt	R-1-30	30x30		6.25	12		1		1	STOP On Oxford Street		
86	9.505	Lt	R-1-30	30x30		6.25	12		1		1	STOP On Apple Street		
87	9.505	Rt	R-1-30	30x30		6.25	12		1		1	STOP On Apple Street		
88	9.514	Lt	W-92-36	36x36		9.00	13		1		1	Firehouse symbol		
	TOTALS CARRIED TO GENERAL SUMMARY													<div style="border: 1px solid black; border-radius: 50%; width: 30px; height: 30px; display: flex; flex-direction: column; align-items: center; justify-content: center;"> 203 <hr style="width: 100%;"/> 270 </div>

SIGN REPLACEMENT CONTRACT

BUTLER COUNTY - SR-177

REF. NO.	S.L.M.	SIDE	CODE	SIZE	SIGN EXTRUSHEET	SIGN, FLAT SHEET TYPE "G"	GROUND MOUNTED SUPPORTS NO. 3 POST	SIGN, DOUBLE FACED MILEMARKER,TYPE G	REMOVAL OF GROUND MOUNTED SIGN & DISPOSAL	REMOVAL OF GROUND MOUNTED SIGN&RE-ERECTION	REMOVAL OF GROUND MOUNTED POST SUPPORT & DISPOSAL	REMARKS			
				INCHES	SQ.FT.	SQ. FT.	LIN. FT.	EACH	EACH	EACH	EACH		Calculated		
110	10.345	Lt	D-1G-72	72x12	6.00		12/12		1		2	← MIDDLETOWN 17	SUBSUMMARY		
			D-1G-72	72x12	6.00				1			OXFORD 3 →			
			D-1G-72	72x12	6.00				1			MIAMI 3 →			
111	10.408	Lt	M-17-21	21x15		2.19	12		1		1	JCT	SUBSUMMARY		
			M-2-24-3	30x24		5.00			1			SR-73			
112	10.447	Rt	R-10-24	24x30		5.00	12		1		1	SPEED LIMIT 55			
113	10.471	Lt	W-47-36	36x36		9.00	13		1		1	SIGNAL AHEAD symbol	SUBSUMMARY		
			W-143-24	24x24		4.00			1			45 MPH advisory			
114	10.471	Rt	W-47-36	36x36		9.00	13		1		1	SIGNAL AHEAD symbol			
			W-143-24	24x24		4.00			1			45 MPH advisory	SUBSUMMARY		
115	10.761		N-77-VAR	60x18	7.50		12/12		1		2	ENTERING HUESTON WOODS REGION			
116	10.938	Rt					12/12			1	1	Re-erect Adopt-A-Hwy sign			
117	10.969	Rt	N-45-12						1		1	Remove Mile Marker 11	SUBSUMMARY		
118	11.000	Rt	N-45-12	12x12			10	1				Mile Marker 11 (New location)			
119	11.367	Lt	M-38-24	24x12		2.00						SOUTH			
			M-2-24-3	30x24		5.00						SR-177	SUBSUMMARY		
120	11.392	Lt	R-1-30	30x30		6.25	12		1		1	STOP On Harris Road			
121	11.395	Rt	R-1-30	30x30		6.25	12		1		1	STOP On Harris Road			
													SUBSUMMARY		
	TOTALS CARRIED TO GENERAL SUMMARY												<table border="1" style="margin: auto;"> <tr> <td style="width: 50px; height: 20px;">206</td> </tr> <tr> <td style="width: 50px; height: 20px;">276</td> </tr> </table>	206	276
206															
276															

SIGN REPLACEMENT CONTRACT

BUTLER COUNTY - SR-177

REF. NO.	S.L.M.	SIDE	CODE	SIZE	SIGN EXTRUSHEET	SIGN, FLAT SHEET TYPE "G"	GROUND MOUNTED SUPPORTS NO. 3 POST	SIGN, DOUBLE FACED MILEMARKER,TYPE G	REMOVAL OF GROUND MOUNTED SIGN & DISPOSAL	REMOVAL OF GROUND MOUNTED SIGN&RE-ERECTION	REMOVAL OF GROUND MOUNTED POST SUPPORT & DISPOSAL	REMARKS	
				INCHES	SQ.FT.	SQ. FT.	LIN. FT.	EACH	EACH	EACH	EACH		Calculated
122	11.415	Rt	M-37-24	24x12		2.00	12		1		1	NORTH	SUBSUMMARY
			M-2-24-3	30x24		5.00			1			SR-177	
123	12.000	Rt	N-45-12	12x12			10	1				Mile Marker 12 (New location)	
124	12.066	Rt	N-45-12						1		1	Remove Mile Marker 12	
125	12.179	Lt					12/12			1	1	Re-erect Adopt-A-Highway	
126	12.187	Rt	W-76D-30	30x30		6.25	12		1		1	Deer Crossing symbol	
127	12.285	Rt	W-24-30	30x30		6.25	13		1		1	Cross road	
128	12.380	Lt	M-38-24	24x12		2.00	12		1		1	SOUTH	
			M-2-24-3	30x24		5.00			1			SR-177	
129	12.408	Lt	R-1-30	30x30		6.25	12		1		1	STOP On Oxford/Middletown Road	
130	12.408	Rt	R-1-30	30x30		6.25	12		1		1	STOP On Oxford/Middletown Road	
131	12.421	Rt	M-37-24	24x12		2.00	13		1		1	NORTH	
			M-2-24-3	30x24		5.00			1			SR-177	
132	12.592	Lt	W-24-30	30x30		6.25	13		1		1	Cross road	
133	12.935	Rt	W-24-30	30x30		6.25	12		1		1	Cross road	
134	12.953	Rt	W-80-30	30x30		6.25	12		1		1	SCHOOL BUS TURN	
135	12.993	Rt	W-2-30	30x30		6.25	13		1		1	Left curve	
			W-143-18	18x18		2.25			1			45 MPH advisory	
			N-45-12						1			Remove Mile Marker 13	
TOTALS CARRIED TO GENERAL SUMMARY													<div style="border: 1px solid black; border-radius: 50%; width: 30px; height: 30px; display: flex; flex-direction: column; align-items: center; justify-content: center;"> 207 270 </div>

SIGN REPLACEMENT CONTRACT

BUTLER COUNTY - SR-177

REF. NO.	S.L.M.	SIDE	CODE	SIZE	SIGN EXTRUSHEET	SIGN, FLAT SHEET TYPE "G"	GROUND MOUNTED SUPPORTS NO. 3 POST	SIGN, DOUBLE FACED MILEMARKER,TYPE G	REMOVAL OF GROUND MOUNTED SIGN & DISPOSAL	REMOVAL OF GROUND MOUNTED SIGN&RE-ERECTION	REMOVAL OF GROUND MOUNTED POST SUPPORT & DISPOSAL	REMARKS	Calculated	Checked
				INCHES	SQ.FT.	SQ. FT.	LIN. FT.	EACH	EACH	EACH	EACH			
136	13.00	Rt	N-45-12	12x12			11	1				Mile Marker 13 (New location)		
137	13.080	Lt	M-38-24	24x12		2.00	12		1		1	SOUTH		
			M-2-24-3	30x24		5.00			1			SR-177		
138	13.100	Lt	R-1-30	30x30		12.50	12/14		2		2	STOP On Sommerville Road (7' height on north side)		
139	13.100	Rt	R-1-30	30x30		6.25	12		1		1	STOP On Sommerville Road		
140	13.125	Lt	W-30-48	48x24		8.00	12/12		1		2	Large double arrow (Faces side street)		
141	13.135	Rt	M-37-24	24x12		2.00	12		1		1	NORTH		
			M-2-24-3	30x24		5.00						SR-177		
142	13.225	Lt	W-24-30	30x30		6.25	12		1		1	Cross road		
143	13.226	Rt	W-24-30	30x30		6.25	12		1		1	Cross road (Faces SB)		
144	13.293	Lt	W-1-30	30x30		6.25	12		1		1	Right curve		
			W-143-18	18x18		2.25			1			45 MPH advisory		
145	13.345	Lt	W-80-30	30x30		6.25	13		1		1	SCHOOL BUS TURN		
146	13.960	Lt	M-38-24	24x12		2.00	13		1		1	SOUTH		
			M-2-24-3	30x24		5.00			1			SR-177		
147	13.977	Rt	R-1-30	30x30		6.25	12		1	1	1	STOP On Oren Road / Re-erect street name		
148	13.993	Rt	M-37-24	24x12		2.00	12		1		1	NORTH		
			M-2-24-3	30x24		5.00			1			SR-177		
			N-45-12						1			Remove Mile Marker 14		
	TOTALS CARRIED TO GENERAL SUMMARY													

Calculated
Checked

SUBSUMMARY

BUT-4-0.00/Var

208
270

SIGN REPLACEMENT CONTRACT

BUTLER COUNTY - SR-503

REF. NO.	S.L.M.	SIDE	CODE	SIZE	SIGN EXTRUSHEET	SIGN, FLAT SHEET TYPE "G"	GROUND MOUNTED SUPPORTS NO. 3 POST	SIGN, DOUBLE FACED MILEMARKER, TYPE G	REMOVAL OF GROUND MOUNTED SIGN & DISPOSAL	REMOVAL OF GROUND MOUNTED SIGN&RE-ERECTION	REMOVAL OF GROUND MOUNTED POST SUPPORT & DISPOSAL	REMARKS	Calculated	Checked
	0.000 = US-127			INCHES	SQ.FT.	SQ. FT.	LIN. FT.	EACH	EACH	EACH	EACH			
1	0.510	Lt	N-1-40	40x20		5.56	12/12		1		2	SEVEN MILE	SUBSUMMARY	
										1		Re-erect School Bus Stop State Law sign		
2	0.510	Lt	R-10-24	30x24		5.00	12		1			SPEED LIMIT 35 (Next to corp. sign)		
3	0.517	Lt					12			1	1	Re-erect No Engine Brake sign		
4	0.817	Lt	W-45A-36	36x36		9.00	13		1		1	Stop Ahead symbol (faces NB)		
5	0.819	Rt	W-45A-36	36x36		9.00	13		1		1	Stop Ahead symbol		
6	0.891	Rt	M-17-21	21x15		2.19	12		1		1	JCT		
			M-2-24-2	24x24		4.00			1			73		
7	0.915	Rt	D-1G-72	72x12	6.00		12/12		1		2	← OXFORD 11		
			D-1G-72	72x12	6.00				1			TRENTON 5 →		
8	0.933	Lt	M-38-24	24x12		2.00	13/13		1		1	SOUTH	BUT-4-0.00/Var	
			M-2-24-3	30x24		5.00			1			SR-503		
9	0.964	Lt	R-1-36	36x36		9.00	14/14		1		1	STOP (on SR-503) (faces NB)		
			R-106-24	24x18		3.00						CROSS TRAFFIC DOES NOT STOP (New)		
			M-2-24-3						1			Remove Route Marker from Stop sign		
			M-25-21						1			↔		
10	0.964	Rt	R-1-36	36x36		9.00	14/14		1		1	STOP on SR-503		
			R-106-24	24x18		3.00			1			CROSS TRAFFIC DOES NOT STOP		
11	0.966	Lt	M-2-24-3	24x24		4.00	12/12					SR-73 (New location)		
			M-25-21	21x15		2.19						Double horizontal arrow		
TOTALS CARRIED TO GENERAL SUMMARY													210	270

SIGN REPLACEMENT CONTRACT

BUTLER COUNTY - SR-503

REF. NO.	S.L.M.	SIDE	CODE	SIZE	SIGN EXTRUSHEET	SIGN, FLAT SHEET TYPE "G"	GROUND MOUNTED SUPPORTS NO. 3 POST	SIGN, DOUBLE FACED MILEMARKER, TYPE G	REMOVAL OF GROUND MOUNTED SIGN & DISPOSAL	REMOVAL OF GROUND MOUNTED SIGN&RE-ERECTION	REMOVAL OF GROUND MOUNTED POST SUPPORT & DISPOSAL	REMARKS	SUBSUMMARY	
													Calculated	Checked
				INCHES	SQ.FT.	SQ. FT.	LIN. FT.	EACH	EACH	EACH	EACH		SUBSUMMARY	
12	0.975	Rt	M-2-24-2	24x24		4.00	12/12		1		1	SR-73	SUBSUMMARY	
			M-25-21	21x15		2.19			1			Double		
13	0.976	Lt	R-1-36	36x36		9.00	14/14		1		1	STOP on SR-503	SUBSUMMARY	
			R-106-24	24x18		3.00			1			CROSS TRAFFIC DOES NOT STOP		
14	0.976	Rt	R-1-36	36x36		9.00	14/14		1		1	STOP on SR-503 (Faces SB)	SUBSUMMARY	
			R-106-24	24x18		3.00			1			CROSS TRAFFIC DOES NOT STOP		
15			M-2-24-2									Remove Route Marker from STOP sign	SUBSUMMARY	
			M-25-2											
16	0.977	Rt	N-1A-40	40x20		5.56	12/12		1		2	WAYNE TOWNSHIP	BUT-4-0.00/Var	
17	1.001	Rt	M-37-24	24x12		2.00	12/12		1		1	NORTH		
		Rt	M-2-24-3	30x24		5.00			1			SR-503		
			N-45-12	12x12				1	1			Mile Marker 1		
18	1.038	Lt	W-45A-36	36x36		9.00	14/14		1		1	STOP AHEAD symbol	BUT-4-0.00/Var	
			W-145B-30	30x24		4.00			1			400 FEET		
19	1.060	Rt	R-10-24	24x30		5.00	12/12		1		1	SPEED LIMIT 55	BUT-4-0.00/Var	
20	1.098	Lt	D-1G-72	72x12	6.00		12/12		1		2	← TRENTON 11		
			D-1G-72	72x12	6.00				1			OXFORD 5 →	BUT-4-0.00/Var	
21	1.121	Lt	M-17-21						1		1	Remove JCT sign		
			M-2-24-2						1			Remove SR-73 sign	BUT-4-0.00/Var	
TOTALS CARRIED TO GENERAL SUMMARY													BUT-4-0.00/Var	

211
270

SIGN REPLACEMENT CONTRACT

BUTLER COUNTY - SR-503

REF. NO.	S.L.M.	SIDE	CODE	SIZE	SIGN EXTRUSHEET	SIGN, FLAT SHEET TYPE "G"	GROUND MOUNTED SUPPORTS NO. 3 POST	SIGN, DOUBLE FACED MILEMARKER, TYPE G	REMOVAL OF GROUND MOUNTED SIGN & DISPOSAL	REMOVAL OF GROUND MOUNTED SIGN&RE-ERECTION	REMOVAL OF GROUND MOUNTED POST SUPPORT & DISPOSAL	REMARKS	Calculated		
													SUBSUMMARY	Checked	
				INCHES	SQ.FT.	SQ. FT.	LIN. FT.	EACH	EACH	EACH	EACH				
22	1.130	Lt	W-45A-36						1		1	Remove Stop Ahead symbol	SUBSUMMARY		
			W-45B-30						1			Remove 875 FEET			
23	1.130	Rt	W-45A-36						1		1	Remove STOP AHEAD symbol			
			W-145B-30						1			Remove 875 FEET			
24	1.130	Lt	M-17-21	21x15		2.19	13					JCT (Old Stop Ahead location)			
			M-2-24-2	24x24		4.00						SR-73			
25	1.158	Lt	W-45A-36	36x36		9.00	14					STOP AHEAD symbol (new location)			
			W-145B-30	30x24		5.00						1000 FEET			
26	1.158	Rt	W-45A-36	36x36		9.00	14					STOP AHEAD symbol (New location)		BUT-4-0.00/Var	
			W-145B-30	30x24		5.00						1000 Ft. (Faces SB)			
27	1.983	Rt	N-45-12						1		1	Remove Mile Marker 2			
28	2.000	Rt	N-45-12	12x12			10	1				Mile Marker 2 (New location)			
29	2.385	Lt	W-79-30	30x30		6.25	12		1		1	SCHOOL BUS STOP			
30	2.410	Rt	W-79-30	30x30		6.25	12		1		1	SCHOOL BUS STOP			
31	2.822	Rt	W-24-30	30x30		6.25	13		1		1	Cross Road			
			W-143-18	18x18		2.25			1			35 MPH advisory			
32	2.822	Lt	W-24-30	30x30		6.25	12		1		1	Cross road (Faces NB)			
			W-143-18	18x18		2.25			1			35 MPH advisory			
33	2.972	Lt	M-38-24	24x12		2.00	13		1		1	SOUTH			
			M-2-24-2	30x24		5.00			1			SR-503			
TOTALS CARRIED TO GENERAL SUMMARY														212 270	

SIGN REPLACEMENT CONTRACT

BUTLER COUNTY - SR-503

REF. NO.	S.L.M.	SIDE	CODE	SIZE	SIGN EXTRUSHEET	SIGN, FLAT SHEET TYPE "G"	GROUND MOUNTED SUPPORTS NO. 3 POST	SIGN, DOUBLE FACED MILEMARKER, TYPE G	REMOVAL OF GROUND MOUNTED SIGN & DISPOSAL	REMOVAL OF GROUND MOUNTED SIGN&RE-ERECTION	REMOVAL OF GROUND MOUNTED POST SUPPORT & DISPOSAL	REMARKS	Calculated	Checked
				INCHES	SQ.FT.	SQ. FT.	LIN. FT.	EACH	EACH	EACH	EACH			
34	2.973	Rt	N-45-12						1		1	Remove Mile Marker 3	SUBSUMMARY	
35	2.993	Lt	R-1-30	30x30		6.25	12		1		1	STOP on Talbert Road		
36	2.993	Rt	R-1-30	30x30		6.25	12		1		1	STOP on Talbert Road		
37	3.005	Rt	N-45-12	12x12			10	1				Mile Marker 3 (New location)		
38	3.010	Rt	M-37-24	24x12		2.00	13		1		1	NORTH		
			M-2-24-3	30x24		5.00			1			SR-503		
39	3.043	Lt	W-79-30	30x30		6.25	12		1		1	SCHOOL BUS STOP		
40	3.132	Lt	W-24-30	30x30		6.25	13		1		1	Cross road		
			W-143-18	18x18		2.25			1			35 MPH advisory		
41	3.132	Rt	W-24-30	30x30		6.25	13		1		1	Cross road (Faces SB)		
			W-143-18	18x18		2.25			1			35 MPH advisory	BUT-4-0.00/Var	
42	3.307	Lt	W-79-30	30x30		6.25	13		1		1	SCHOOL BUS STOP		
43	3.403	Rt	W-79-30	30x30		6.25	12		1		1	SCHOOL BUS STOP		
44	3.576	Lt	W-79-30	30x30		6.25	13		1		1	SCHOOL BUS STOP		
45	3.869	Rt	W-26-30	30x30		6.25	12		1		1	Side road		
46	3.957	Lt	M-37-24						1		1	Remove route marker direction sign		
			M-2-24-3						1			Remove SR-503 sign		
47	3.972	Rt	N-45-12						1		1	Remove Mile Marker 4		
48	3.979	Rt	R-1-30	30x30		6.25	12		1		1	STOP on Oxford, Middletown Road		
												Re-erect street name		
	TOTALS CARRIED TO GENERAL SUMMARY												213	270

SIGN REPLACEMENT CONTRACT

BUTLER COUNTY - SR-503

REF. NO.	S.L.M.	SIDE	CODE	SIZE	SIGN EXTRUSHEET	SIGN, FLAT SHEET TYPE "G"	GROUND MOUNTED SUPPORTS NO. 3 POST	SIGN, DOUBLE FACED MILEMARKER,TYPE G	REMOVAL OF GROUND MOUNTED SIGN & DISPOSAL	REMOVAL OF GROUND MOUNTED SIGN&RE-ERECTION	REMOVAL OF GROUND MOUNTED POST SUPPORT & DISPOSAL	REMARKS	Calculated	Checked	
				INCHES	SQ.FT.	SQ. FT.	LIN. FT.	EACH	EACH	EACH	EACH				
49	3.979	Lt	M-2-24-3				12/12		1		2	Remove route marker from large arrow	SUBSUMMARY		
			W-30-48	48x24		8.00			1			Large double arrow (Faces side street)			
50	4.000	Rt	N-45-12	12x12			10	1				Mile Marker 4 (New location)			
51	4.007	Rt	M-37-24						1		1	Remove route marker direction sign			
			M-2-24-3						1			Remove SR-503 sign			
52	4.112	Lt	W-26-30	30x30		6.25	12		1		1	Cross road			
53	4.436	Rt	M-17-21	21x15		2.19	12		1		1	JCT			
			M-2-24-3	30x24		5.00			1			SR-744			
54	4.479	Rt	D-1G-72	72x12	6.00		12/12		1		2	← SOMERVILLE 5		BUT-4-0.00/Var	
			D-1G-72	72x12	6.00				1			JACKSONVILLE 3 →			
55	4.568	Lt	M-38-24	24x12		2.00	12/12		1		1	SOUTH			
			M-2-24-3	30x24		5.00			1			SR-503			
56	4.587	Lt	M-2-24-3	30x24		5.00	13/13		1		1	SR-744			
			M-25-21	21x15		2.19			1			Double horizontal arrow			
57	4.599	Rt	M-2-24-3	30x24		5.00	13/13		1		1	SR-744			
			M-25-21	21x15		2.19			1			Double horizontal arrow			
58	4.628	Rt	M-37-24	24x12		2.00	13/13		1		1	NORTH			
			M-2-24-3	30x24		5.00			1			SR-503			
59	4.703	Lt	D-1G-72	72x12	6.00		12/12		1		1	← JACKSONBURG 3			
			D-1G-72	72x12	6.00				1			SOMERVILLE 5 →			
	TOTALS CARRIED TO GENERAL SUMMARY												214	270	

SIGN REPLACEMENT CONTRACT

BUTLER COUNTY - SR-503

REF. NO.	S.L.M.	SIDE	CODE	SIZE	SIGN EXTRUSHEET	SIGN, FLAT SHEET TYPE "G"	GROUND MOUNTED SUPPORTS NO. 3 POST	SIGN, DOUBLE FACED MILEMARKER, TYPE G	REMOVAL OF GROUND MOUNTED SIGN & DISPOSAL	REMOVAL OF GROUND MOUNTED SIGN&RE-ERECTION	REMOVAL OF GROUND MOUNTED POST SUPPORT & DISPOSAL	REMARKS	Calculated			
				INCHES	SQ.FT.	SQ. FT.	LIN. FT.	EACH	EACH	EACH	EACH		SUBSUMMARY			
60	4.747	Lt	M-17-21	21x15		2.19	13/13		1		1	JCT				
			M-2-24-3	30x24		5.00			1			SR-744				
61	4.969	Rt	N-45-12						1		1	Remove Mile Marker 5				
62	5.000	Rt	N-45-12	12x12			10	1				Mile Marker 5 (New location)				
63	5.428	Rt	W-26-30	30x30		6.25	13		1		1	Side road				
64	5.471	Lt	M-38-24						1		1	Remove route marker direction sign				
			M-2-24-2						1			Remove SR-503 sign				
65	5.503	Rt	R-1-30	30x30		6.25	12		1	1	1	STOP on Mill Road / Re-erect street name				
66	5.522	Rt	M-37-24						1		1	Remove route marker				
			M-2-24-3						1							
67	5.579	Lt	W-26-30	30x30		6.25	13		1		1	Side road				
68	5.827	Rt	W-18-30	30x30		6.25	12		1		1	Left reverse curve				
			W-143-18	18x18		2.25			1			20 MPH advisory				
69	5.907	Rt	W-24-30	30x30		6.25	12		1		1	Cross road				
70	5.955	Lt	R-10-24	24x30		5.00	13		1		1	SPEED LIMIT 55				
71	5.976 - 6.003	Rt	W-33-18	18x18		30.00	5@10		10		5	10 chevrons, 5 each direction				
72	5.981	Rt	W-32-48	48x24		8.00	12/12		1		2	Large arrow				
			N-45-12						1			Remove Mile Marker 6'				
73	6.000	Rt	N-45-12	12x12			10	1				Mile Marker 6 (New location)				
74	6.002	Lt	M-38-24	24x12		2.00	12		1		1	SOUTH				
TOTALS CARRIED TO GENERAL SUMMARY														<table border="1" style="margin: auto;"> <tr> <td style="padding: 5px;">215</td> </tr> <tr> <td style="padding: 5px;">270</td> </tr> </table>	215	270
215																
270																

SIGN REPLACEMENT CONTRACT

BUTLER COUNTY - SR-732

REF. NO.	S.L.M.	SIDE	CODE	SIZE	SIGN EXTRUSHEET	SIGN, FLAT SHEET TYPE "G"	GROUND MOUNTED SUPPORTS NO. 3 POST	SIGN, DOUBLE FACED MILEMARKER,TYPE G	REMOVAL OF GROUND MOUNTED SIGN & DISPOSAL	REMOVAL OF GROUND MOUNTED SIGN&RE-ERECTION	REMOVAL OF GROUND MOUNTED POST SUPPORT & DISPOSAL	REMARKS	
	0.000 = SR-129			INCHES	SQ.FT.	SQ. FT.	LIN. FT.	EACH	EACH	EACH	EACH		Calculated Checked
1	0.010	Lt	R-10-36	36x36		9.00	12		1		1	STOP On SR-732	SUBSUMMARY
2	0.012	Rt	R-10-36	36x36		9.00	12		1		1	STOP On SR-732	
3	0.012	Rt	N-45-12	12x12			10	1	1			Mile Marker 0	
4	0.036	Rt	M-37-24	24x12		2.00	13		1		1	NORTH	
			M-2-24-3	30x24		5.00			2			SR-732 / Adopt-A-Hwy sign relocated to 0.055	
5	0.055	Rt					12/12			1		Re-erect Adopt-A-Hwy sign from 0.036	
6	0.078	Lt	D-1G-72	72x12	6.00		12/13		1		2	← HAMILTON 12	BUT-4-0.00/Var
			D-1G-72	72x12	6.00				1			BROOKVILLE IND 14 →	
7	0.148	Lt	W-45A-36						1		1	Remove Signal Ahead sign	
			M-17-21	21x15		2.19	13					JCT (New)	
			M-2-24-3	30x24		5.00						SR-129	
8	0.178	Lt	M-17-21						1		1	Remove JCT	
			M-2-24-3						1			Remove SR-129	
9	0.192	Lt	W-45A-36	36x36		9.00	13					SIGNAL AHEAD symbol (New)	
10	0.305	Rt	W-45A-36	36x36		9.00	13		1		1	SIGNAL AHEAD symbol	
11	0.305	Lt	W-45A-36	36x36		9.00	13		1		1	SIGNAL AHEAD symbol	
12	0.852	Rt	W-24-30	30x30		6.25	12		1		1	Cross road	
13	0.965	Lt	M-38-24	24x12					1		1	Remove route marker	
			M-2-24-3	30x24					1				
TOTALS CARRIED TO GENERAL SUMMARY													217 270

SIGN REPLACEMENT CONTRACT

BUTLER COUNTY - SR-732

REF. NO.	S.L.M.	SIDE	CODE	SIZE	SIGN EXTRUSHEET	SIGN, FLAT SHEET TYPE "G"	GROUND MOUNTED SUPPORTS NO. 3 POST	SIGN, DOUBLE FACED MILEMARKER,TYPE G	REMOVAL OF GROUND MOUNTED SIGN & DISPOSAL	REMOVAL OF GROUND MOUNTED SIGN&RE-ERECTION	REMOVAL OF GROUND MOUNTED POST SUPPORT & DISPOSAL	REMARKS	Calculated	Checked
				INCHES	SQ.FT.	SQ. FT.	LIN. FT.	EACH	EACH	EACH	EACH			
14	0.986	Lt	R-1-30	30x30		6.25	12		1		1	STOP On Dunwood Road	SUBSUMMARY	
15	0.986	Rt	R-1-30	30x30		6.25	12		1		1	STOP On Dunwood Road		
16	1.000	Rt	N-45-12	12x12			9	1				Mile Marker 1 (New location)		
17	1.009	Rt	M-37-24	24x12		2.00	13		2		1	NORTH (Remove Mile Marker 1)		
			M-2-24-3	30x24		5.00			1			SR-732		
18	1.059	Rt					13			2	1	Re-erect Test Section and Phone No. signs		
19	1.132	Lt	W-24-30	30x30		6.25	13		1		1	Intersection Ahead		
20	2.006	Rt							3		2	Remove Mile Marker 2 sign and two Adopt-A-Hwy signs		
							12/12			1		Re-erect Adopt-A-Hwy sign (Sigma F Frat.)		
			N-45-12	12x12			10	1				Mile Marker 2		
21	2.006	Lt					12/12			1		Re-erect Adopt-A-Hwy sign (Theta Chi Frat.)	BUT-4-0.00/Var	
22	2.067	Lt					12					Re-erect Test Section and Phone No. signs		
23	2.067	Rt	W-65-36	36x36		9.00	13		1		1	HILL symbol		
24	2.106	Rt	W-80-30	30x30		6.25	12		1		1	SCHOOL BUS TURN		
25	2.358	Lt	W-75-30	30x30		6.25	14		1		1	CHURCH ENTRANCE		
26	2.389	Lt	W-80-30	30x30		6.25	14		1		1	SCHOOL BUS TURN AHEAD		
27	2.513	Rt	N-1B-40	40x20		5.56	12/12		1		2	REILY		
28	2.546	Rt	R-11A-24	24x30		5.00	13		1		1	REDUCED SPEED 35 AHEAD		
29	2.685	Lt	W-153-30	30x30		6.25	13		1		1	NARROW SHOULDER		
	TOTALS CARRIED TO GENERAL SUMMARY												218 276	

SIGN REPLACEMENT CONTRACT

BUTLER COUNTY - SR-732

REF. NO.	S.L.M.	SIDE	CODE	SIZE	SIGN EXTRUSHEET	SIGN, FLAT SHEET TYPE "G"	GROUND MOUNTED SUPPORTS NO. 3 POST	SIGN, DOUBLE FACED MILEMARKER, TYPE G	REMOVAL OF GROUND MOUNTED SIGN & DISPOSAL	REMOVAL OF GROUND MOUNTED SIGN&RE-ERECTION	REMOVAL OF GROUND MOUNTED POST SUPPORT & DISPOSAL	REMARKS			
				INCHES	SQ.FT.	SQ. FT.	LIN. FT.	EACH	EACH	EACH	EACH		Calculated		
30	2.724	Rt	R-1-30	30x30		6.25	13		1	1	1	STOP On Saw Mill Road / Re-erect street name	SUBSUMMARY		
31	2.732	Rt	R-10-24	24x30		5.00	13		1		1	SPEED LIMIT 35 MPH			
32	2.750	Rt	W-45A-36	36x36		9.00	13		1		1	STOP AHEAD symbol sign			
33	2.809	Rt	M-2-24-3	30x24		5.00	14		1		1	SR-732			
			M-19-21	21x15		2.19			1			Advanced Right Turn			
34	2.868	Lt	R-10-24	24x30		5.00	12		1		1	SPEED LIMIT 35 MPH			
35	2.887	Rt	R-1-30	30x30		6.25	12		1		1	STOP On side street (No name)			
36	2.887	Lt	R-1-30	30x30		6.25	12		1		1	STOP On side street (No name)			
37	2.915	Rt	M-38-24	24x12		2.00	12		1		1	SOUTH			
			M-2-24-3	30x24		5.00			1			SR-732			
38	2.918	Rt	R-1-30	30x30		6.25	12		1		1	STOP On SR-732	BUT-4-0.00/Var		
39	2.926	Lt	M-2-24-3	30x24		5.00	13		1		1	SR-732			
			M-24-21	21x15		2.19			1			→			
40	2.953	Rt	R-1-30	30x30		6.25	12		1	1	1	STOP On Alley / Re-erect street name sign			
41	2.956	Lt	M-2-24-3	30x24		5.00	13		1		1	SR-732			
			M-21-21	21x15		2.19			1			Advanced left turn			
42	2.958	Rt	W-14-30	30x30		6.25	12		1		1	Left turn	BUT-4-0.00/Var		
			W-143-18	18x18		2.25			1			20 MPH advisory			
43	2.958	Rt	R-10-24	24x30		5.00	12		1		1	SPEED LIMIT 35 MPH (Next to W-14-30)			
	TOTALS CARRIED TO GENERAL SUMMARY												<table border="1" style="margin-left: auto; margin-right: auto;"> <tr> <td style="text-align: center;">219</td> </tr> <tr> <td style="text-align: center;">270</td> </tr> </table>	219	270
219															
270															

SIGN REPLACEMENT CONTRACT

BUTLER COUNTY - SR-732

REF. NO.	S.L.M.	SIDE	CODE	SIZE	SIGN EXTRUSHEET	SIGN, FLAT SHEET TYPE "G"	GROUND MOUNTED SUPPORTS NO. 3 POST	SIGN, DOUBLE FACED MILEMARKER, TYPE G	REMOVAL OF GROUND MOUNTED SIGN & DISPOSAL	REMOVAL OF GROUND MOUNTED SIGN&RE-ERECTION	REMOVAL OF GROUND MOUNTED POST SUPPORT & DISPOSAL	REMARKS	Calculated	Checked
				INCHES	SQ.FT.	SQ. FT.	LIN. FT.	EACH	EACH	EACH	EACH			
44	2.963	Lt	R-1-30	30x30		6.25	12		1		1	STOP On alley	SUBSUMMARY	
45	2.982	Rt	M-37-24	24x12		2.00	13				1	NORTH (New)		
			M-2-24-3	30x24		5.00			1			SR-732		
			M-21-21	21x15		2.19			1			Advance Left Turn		
46	2.990	Rt	N-45-12	12x12			10	1	1		1	Mile Marker 3		
47	3.012	Rt	R-1-30	30x30		12.50	12/12		2		2	STOP On Reily-Millville Road (Dual)		
48	3.045	Rt	M-2-24-3	30x24		5.00	12		1		2	SR-732		
			M-27-21	21x15		2.19			1			Right angle arrow		
									1			Remove W-30-48 (Double arrow)		
49	3.049	Rt	R-1-30	30x30		6.25	12		1		1	STOP On Stillwell Road		BUT-4-0.00/Var
50	3.073	Rt	M-37-24	24x12		2.00	12		1		1	NORTH		
			M-2-24-3	30x24		5.00			1			SR-732		
51	3.100	Lt	W-13-30	30x30		6.25	12		1		1	Right turn		
			W-143-30	18x18		2.25			1			20 MPH advisory		
52	3.115	Rt	W-75-30	30x30		6.25	12		1		1	PARK ENTRANCE		
53	3.119	Lt	R-24-10	24x30		5.00	13/13		1		1	SPEED LIMIT 35 MPH (Mounted below corp. sign)		
			N-1B-40	40x20		5.56			1			REILY		
54	3.133	Rt	W-151-30	30x30		6.25	13		1		1	LOW SHOULDER		
	TOTALS CARRIED TO GENERAL SUMMARY												220	276

SIGN REPLACEMENT CONTRACT

BUTLER COUNTY - SR-732

REF. NO.	S.L.M.	SIDE	CODE	SIZE	SIGN EXTRUSHEET	SIGN, FLAT SHEET TYPE "G"	GROUND MOUNTED SUPPORTS NO. 3 POST	SIGN, DOUBLE FACED MILEMARKER, TYPE G	REMOVAL OF GROUND MOUNTED SIGN & DISPOSAL	REMOVAL OF GROUND MOUNTED SIGN&RE-ERECTION	REMOVAL OF GROUND MOUNTED POST SUPPORT & DISPOSAL	REMARKS	
				INCHES	SQ.FT.	SQ. FT.	LIN. FT.	EACH	EACH	EACH	EACH		Calculated Checked
55	3.201	Rt	W-9-30	30x30		6.25	12		1		1	Right winding road	SUBSUMMARY
			W-143-18	18x18		2.25			1			20 MPH advisory	
56	3.201	Lt	W-13-30	30x30		6.25	13		1		1	Right turn	
			W-143-18	18x18		2.25			1			25 MPH advisory	
57	3.270	Lt	R-11A-24	24x30		5.00	13		1		1	REDUCED SPEED 35 AHEAD	
58	3.444	Lt	W-10-30	30x30		6.25	13		1		1	Left winding road	
			W-143-18	18x18		2.25			1			20 MPH advisory	
59	3.444	Rt	W-10-30	30x30		6.25	13		1		1	Left winding road (Faces SB)	
			W-143-18	18x18		2.25			1			20 MPH advisory	
60	3.464	Lt	W-65-36	36x36		9.00	13		1		1	HILL symbol sign	
61	3.477	Rt	W-13-30	30x30		6.25	13		1		1	Right turn (Faces SB)	
			W-143-18	18x18		2.25			1			20 MPH advisory	
62	3.477	Lt	W-13-30	30x30		6.25	12		1		1	Right turn	
			W-143-18	18x18		2.25			1			20 MPH advisory	
63	3.503	Rt	W-151-30	30x30		6.25	13		1		1	LOW SHOULDER	
64	3.602	Rt	W-14-30	30x30		6.25	13		1		1	Left turn	
			W-143-18	18x18		2.25			1			20 MPH advisory	
			W-13-30	30x30		6.25			1			Right turn (Mounted on back of W-14)	
			W-143-18	18x18		2.25			1			20 MPH advisory	
	TOTALS CARRIED TO GENERAL SUMMARY												<div style="border: 1px solid black; border-radius: 50%; width: 30px; height: 30px; display: flex; flex-direction: column; align-items: center; justify-content: center;"> 221 270 </div>

SIGN REPLACEMENT CONTRACT

BUTLER COUNTY - SR-732

REF. NO.	S.L.M.	SIDE	CODE	SIZE	SIGN EXTRUSHEET	SIGN, FLAT SHEET TYPE "G"	GROUND MOUNTED SUPPORTS NO. 3 POST	SIGN, DOUBLE FACED MILEMARKER, TYPE G	REMOVAL OF GROUND MOUNTED SIGN & DISPOSAL	REMOVAL OF GROUND MOUNTED SIGN&RE-ERECTION	REMOVAL OF GROUND MOUNTED POST SUPPORT & DISPOSAL	REMARKS	Calculated	Checked
				INCHES	SQ.FT.	SQ. FT.	LIN. FT.	EACH	EACH	EACH	EACH			
65	3.602	Lt	W-14-30	30x30		6.25	13		1		1	Faces SB left turn	SUBSUMMARY	
			W-143-18	18x18		2.25			1			20 MPH advisory		
			W-13-30	30x30		6.25			1			Right turn (On back of W-14)		
			W-143-18	18x18		2.25			1			20 MPH advisory		
66	3.629 - 3.639	Rt	W-33-18	18x24		30.00	5@10		10		5	10 chevrons, 5 each direction	BUT-4-0.00/Var	
67	3.661	Rt	W-32-48	48x24		8.00	12/12		1		2	Large arrow		
68	3.649	Rt	W-32-48	48x24		8.00	12/12		1		2	Large arrow (Faces SB)		
69	3.660	Lt	W-75-30	30x30		6.25	12					PARK ENTRANCE (New)		
70	3.700	Rt	W-17-30	30x30		6.25	12		1		1	Right reverse turn		
			W-143-18	18x18		2.25			1			20 MPH advisory		
71	3.700	Lt	W-17-30	30x30		6.25	12		1		1	Right reverse turn		
			W-143-18	18x18		2.25			1			20 MPH advisory		
72	3.746 - 3.773	Rt	W-33-18	18x24		30.00	5@10		10		5	10 chevrons, 5 each direction		
73	3.759	Rt	W-32-48	48x24		8.00	13/13		1		2	Large arrow		
74	3.764	Rt	W-32-48	48x24		8.00	13/13		1		2	Large arrow (Faces SB)		
75	3.898	Rt	W-13-30	30x30		6.25	13		1		1	Right turn (Faces SB)		
			W-143-18	18x18		2.25			1			20 MPH advisory		
76	3.898	Lt	W-13-30	30x30		6.25	13		1		1	Right turn		
			W-143-18	18x18		2.25			1			20 MPH advisory		
	TOTALS CARRIED TO GENERAL SUMMARY												222	270

SIGN REPLACEMENT CONTRACT

BUTLER COUNTY - SR-732

REF. NO.	S.L.M.	SIDE	CODE	SIZE	SIGN EXTRUSHEET	SIGN, FLAT SHEET TYPE "G"	GROUND MOUNTED SUPPORTS NO. 3 POST	SIGN, DOUBLE FACED MILEMARKER, TYPE G	REMOVAL OF GROUND MOUNTED SIGN & DISPOSAL	REMOVAL OF GROUND MOUNTED SIGN&RE-ERECTION	REMOVAL OF GROUND MOUNTED POST SUPPORT & DISPOSAL	REMARKS	Calculated	Checked
													INCHES	SQ.FT.
77	3.898	Lt	W-13-30	30x30		6.25	13		1		1	Right turn	SUBSUMMARY	
			W-143-18	18x18		2.25			1			20 MPH advisory		
78	3.940	Rt					13			2	1	Re-erect Test Section and Telephone No. signs		
79	3.986	Rt					12/12			1	2	Re-erect Adopt-A-Hwy sign		
			N-45-12	12x12			10	1		1		Mile Marker 4		
80	3.986	Lt					12/12			1	2	Re-erect Adopt-A-Hwy sign		
81	4.150	Rt	W-26-30	30x30		6.25	12		1		1	Side street		
82	4.158	Lt	W-1-30	30x30		6.25	13		1		1	Right curve		
			W-143-18	18x18		2.25			1			40 MPH advisory		
83	4.192	Rt	W-1-30	30x30		6.25	13		1		1	Right curve		
84	4.231	Lt	M-38-24	24x12		2.00	13		1		1	SOUTH	BUT-4-0.00/Var	
			M-2-24-3	30x24		5.00			1			SR-732		
85	4.267	Rt	R-1-30	30x30		6.25	12		1		1	STOP On McCoy Road		
86	4.284	Rt	M-37-24	24x12		2.00	13		1		1	NORTH		
			M-2-24-3	30x30		5.00			1			SR-732		
87	4.366	Lt	W-2-30	30x30		6.25	12		1		1	Left curve		
			W-143-18	18x18		2.25			1			40 MPH advisory		
88	4.441	Lt	W-26-30	30x30		6.25	12		1		1	Side street		
89	4.811	Lt	W-76D-30	30x30		6.25	13		1		1	Deer Crossing symbol		
TOTALS CARRIED TO GENERAL SUMMARY													223 270	

SIGN REPLACEMENT CONTRACT

BUTLER COUNTY - SR-732

REF. NO.	S.L.M.	SIDE	CODE	SIZE	SIGN EXTRUSHEET	SIGN, FLAT SHEET TYPE "G"	GROUND MOUNTED SUPPORTS NO. 3 POST	SIGN, DOUBLE FACED MILEMARKER, TYPE G	REMOVAL OF GROUND MOUNTED SIGN & DISPOSAL	REMOVAL OF GROUND MOUNTED SIGN&RE-ERECTION	REMOVAL OF GROUND MOUNTED POST SUPPORT & DISPOSAL	REMARKS	Calculated Checked		
													INCHES	SQ.FT.	SQ. FT.
90	5.000	Rt	N-45-12	12x12			10	1				Mile Marker 5 (New)	SUBSUMMARY		
91	5.020	Rt	N-45-12						1		1	Remove existing Mile Marker 5			
92	5.081	Lt					12			2	2	Re-erect Test Section and Telephone No. signs			
93	5.143	Rt	W-26-30	30x30		6.25	12		1		1	Side street			
94	5.307	Rt	R-1-30	30x30		6.25	13		1	1	1	STOP On Stephson Road / Re-erect street name			
95	5.316	Rt	M-37-24						1		1	Remove route marker			
			M-2-24-3						1						
96	5.448	Lt	W-26-30	30x30		6.25	13		1		1	Side street			
97	5.656	Rt	W-26-30	30x30		6.25	13		1		1	Side street			
98	5.753	Lt	M-38-24						1		1	Remove route marker			
			M-2-24-3						1						
99	5.786	Lt	R-1-30	30x30		6.25	12		1		1	STOP On Innhoff Road	BUT-4-0.00/Var		
100	5.800	Rt	M-37-24						1		1	Remove route marker			
			M-2-24-3						1						
101	5.934	Lt					12/12			1	2	Re-erect Adopt-A-Hwy sign			
102	5.977	Lt	W-26-30	30x30		6.25	13		1		1	Side street			
103	6.010	Rt	N-45-12	12x12			10	1	1		1	Mile Marker 6			
104	6.162	Rt	W-24-30	30x30		6.25	12		1		1	Cross road			
105	6.285	Rt	N-1A-40	40x20		5.56	12/12		1		2	OXFORD TOWNSHIP LIMIT			
	TOTALS CARRIED TO GENERAL SUMMARY													<div style="border: 1px solid black; border-radius: 50%; padding: 5px; display: inline-block;"> 224 <hr style="width: 80%; margin: 0 auto;"/> 270 </div>	

SIGN REPLACEMENT CONTRACT

BUTLER COUNTY - SR-732

REF. NO.	S.L.M.	SIDE	CODE	SIZE	SIGN EXTRUSHEET	SIGN, FLAT SHEET TYPE "G"	GROUND MOUNTED SUPPORTS NO. 3 POST	SIGN, DOUBLE FACED MILEMARKER, TYPE G	REMOVAL OF GROUND MOUNTED SIGN & DISPOSAL	REMOVAL OF GROUND MOUNTED SIGN&RE-ERECTION	REMOVAL OF GROUND MOUNTED POST SUPPORT & DISPOSAL	REMARKS			
				INCHES	SQ.FT.	SQ. FT.	LIN. FT.	EACH	EACH	EACH	EACH		Calculated		
106	6.306	Lt	M-38-24	24x12		2.00	12		1		1	SOUTH	SUBSUMMARY		
			M-2-24-3	30x24		5.00			1			SR-732			
107	6.326	Lt	R-1-30	30x30		12.50	12/12		2		2	STOP On Stillwell Beckett Road (dual)			
			R-106-24	24x18		6.00			2			CROSS TRAFFIC DOES NOT STOP (dual)			
108	6.326	Rt	R-1-30	30x30		12.50	12/12		2		2	STOP On Stillwell Beckett Road (dual)			
			R-106-24	24x18		6.00			2			CROSS TRAFFIC DOES NOT STOP (dual)			
109	6.353	Rt	M-37-24	24x12		2.00	13					NORTH (New)			
			M-2-24-3	30x24		5.00						SR-732			
110	6.505	Lt	W-24-30	30x30		6.25	12		1		1	Intersection		BUT-4-0.00/Var	
111	6.732	Rt	W-82-30	30x30		6.25	13		1		1	Advance School Zone			
			W-78-30	30x10		2.08			1			SCHOOL			
112	6.840	Rt							3		1	Remove School/Speed 20 MPH/During Restricted Hours signs			
113	6.840	Lt							3		1	Remove School/Speed 20 MPH/During Restricted Hours signs			
114	6.941	Rt	N-45-12						1		1	Remove Mile Marker 7			
115	7.000	Rt	N-45-12	12x12			10	1				Mile Marker 7 (New)			
116	7.071	Rt	R-21-24	24x30		5.00	12		1		1	END SCHOOL ZONE			
117	7.071	Rt							3		1	Remove School/Speed 20 MPH/During Restricted Hours signs			
118	7.071	Lt							3		1	Remove School/Speed 20 MPH/During Restricted Hours signs			
	TOTALS CARRIED TO GENERAL SUMMARY												<table border="1" style="width: 100%; border-collapse: collapse;"> <tr> <td style="text-align: center;">225</td> </tr> <tr> <td style="text-align: center;">270</td> </tr> </table>	225	270
225															
270															

SIGN REPLACEMENT CONTRACT

BUTLER COUNTY - SR-732

REF. NO.	S.L.M.	SIDE	CODE	SIZE	SIGN EXTRUSHEET	SIGN, FLAT SHEET TYPE "G"	GROUND MOUNTED SUPPORTS NO. 3 POST	SIGN, DOUBLE FACED MILEMARKER, TYPE G	REMOVAL OF GROUND MOUNTED SIGN & DISPOSAL	REMOVAL OF GROUND MOUNTED SIGN&RE-ERECTION	REMOVAL OF GROUND MOUNTED POST SUPPORT & DISPOSAL	REMARKS	
				INCHES	SQ.FT.	SQ. FT.	LIN. FT.	EACH	EACH	EACH	EACH		Calculated Checked
119	7.185	Lt	W-82-30	30x30		6.25	12		1		1	Advance School Zone	SUBSUMMARY
			W-78-30	30x10		2.08			1			SCHOOL	
120	7.196	Rt	R-11B-24	24x30		6.25	12		1		1	REDUCED SPEED AHEAD	
121	7.293	Rt	N-1-40	40x20		5.56	12/12		1		2	OXFORD CORPORATION LIMIT	
			R-10-24	24x30		5.00			1			SPEED LIMIT 35 MPH (mount below corp sign)	
							12/12			1	2	Re-erect Adopt-A-Hwy sign next to corp. sign	
	CITY OF OXFORD												BUT-4-0.00/Var
	PVT Change = 9.850												
122	9.901	Rt	D-6-60	60x30	12.50		12/12		1		2	HUESTON WOODS 5	
												EATON 21	
123	9.919	Lt					12			1	1	Re-erect Visitor Info sign	
124	9.941	Rt	W-79-30	30x30		6.25	12		1		1	SCHOOL BUS STOP	
125	9.971	Rt	R-10-24	24x30		5.00	12		1		1	SPEED LIMIT 45 MPH	
126	9.973	Lt	R-10-24	24x30		5.00	12		1		1	SPEED LIMIT 45 MPH	
127	9.998	Lt	R-1-30	30x30		6.25	12		1		1	On Kelly Road	
128	10.000	Rt	N-45-12	12x12			9	1				Mile Marker 10 (New location)	
129	10.024	Rt							1		1	Remove Safety Belt sign	
	TOTALS CARRIED TO GENERAL SUMMARY												226 270

SIGN REPLACEMENT CONTRACT

BUTLER COUNTY - SR-732

REF. NO.	S.L.M.	SIDE	CODE	SIZE	SIGN EXTRUSHEET	SIGN, FLAT SHEET TYPE "G"	GROUND MOUNTED SUPPORTS NO. 3 POST	SIGN, DOUBLE FACED MILEMARKER, TYPE G	REMOVAL OF GROUND MOUNTED SIGN & DISPOSAL	REMOVAL OF GROUND MOUNTED SIGN & RE-ERECTION	REMOVAL OF GROUND MOUNTED POST SUPPORT & DISPOSAL	REMARKS	
				INCHES	SQ.FT.	SQ. FT.	LIN. FT.	EACH	EACH	EACH	EACH		Calculated Checked
144	11.675	Lt	R-1-30	30x30		6.25	12		1		1	STOP On Buckley Road	SUBSUMMARY
145	11.690	Rt	W-153-30	30x30		6.25	12		1		1	NARROW SHOULDER	
146	11.715	Rt	W-79-30	30x30		6.25	12		1		1	SCHOOL BUS STOP	
147	11.737	Rt	W-1-30	30x30		6.25	12		1		1	Right curve	
			W-143-18	18x18		2.25			1			35 MPH advisory	
148	11.829	Lt	W-26B-30	30x30		6.25	12		1		1	45 degree side road	
149	11.948	Lt	W-65-36	36x36		9.00	13		1		1	HILL symbol	
			WP-65-24						1			Remove HILL plate	
150	11.971	Lt	W-2-30	30x30		6.25	12		1		1	Left curve	
			W-143-18	18x18		2.25			1			30 MPH advisory	
151	11.971	Rt	W-1-30	30x30		6.25	12		1		1	Right curve	BUT-4-0.00/Var
			W-143-18	18x18		2.25			1			45 MPH advisory	
152	12.004	Rt					12/12		1		2	Re-erect Adopt-A-Hwy sign	
			N-45-12					1	1			Mile Marker 12	
153	12.004	Lt					12/12			1	2	Re-erect Adopt-A-Hwy sign	
154	12.256	Rt	R-1-30	30x30		6.25	12		1		1	STOP On side street	
155	12.278	Rt	W-79-30	30x30		6.25	12		1		1	SCHOOL BUS STOP	
156	12.295	Lt	W-2-30	30x30		6.25	12		1		1	Left curve	
			W-143-18	18x18		2.25			1			45 MPH advisory	
	TOTALS CARRIED TO GENERAL SUMMARY												<div style="border: 1px solid black; border-radius: 50%; width: 30px; height: 30px; display: flex; flex-direction: column; align-items: center; justify-content: center;"> 228 <hr style="width: 100%;"/> 270 </div>

SIGN REPLACEMENT CONTRACT

BUTLER COUNTY - SR-732

REF. NO.	S.L.M.	SIDE	CODE	SIZE	SIGN EXTRUSHEET	SIGN, FLAT SHEET TYPE "G"	GROUND MOUNTED SUPPORTS NO. 3 POST	SIGN, DOUBLE FACED MILEMARKER, TYPE G	REMOVAL OF GROUND MOUNTED SIGN & DISPOSAL	REMOVAL OF GROUND MOUNTED SIGN&RE-ERECTION	REMOVAL OF GROUND MOUNTED POST SUPPORT & DISPOSAL	REMARKS	
				INCHES	SQ.FT.	SQ. FT.	LIN. FT.	EACH	EACH	EACH	EACH		Calculated
157	12.348	Rt	W-76D-30	30x30		6.25	12		1		1	Deer Crossing symbol	SUBSUMMARY
158	12.391	Rt	W-14-30	30x30		6.25	12		1		1	Left turn	
			W-143-18	18x18		2.25			1			30 MPH advisory	
159	12.691	Rt	W-13-30	30x30		6.25	12		1		1	Right turn	
			W-143-18	18x18		2.25			1			30 MPH advisory	
160	12.702	Lt	W-1-30	30x30		6.25	12		1		1	Right curve	
			W-143-18	18x18		2.25			1			30 MPH advisory	
161	12.708 - 12.748	Lt	W-33-18	18x24		30.00	5@10		10		5	10 chevrons, 5 each direction	
162	12.842	Lt	W-79-30	30x30		6.25	12		1		1	SCHOOL BUS STOP	
163	12.869	Lt	W-14-30	30x30		6.25	12		1		1	Left turn	
			W-143-18	18x18		2.25			1			30 MPH advisory	
164	12.974	Rt	W-79-30	30x30		6.25	12		1		1	SCHOOL BUS STOP	
165	13.001	Rt	N-45-12	12x12			10	1	1		1	Mile Marker 13	
166	13.258	Lt	W-79-30	30x30		6.25	12		1		1	SCHOOL BUS STOP	
167	13.446	Rt	W-79-30	30x30		6.25	12		1		1	SCHOOL BUS STOP	
168	13.675	Rt	W-2-30	30x30		6.25	12		1		1	Left curve	
			W-143-18	18x18		2.25	12		1			40 MPH advisory	
169	13.772	Rt	W-76D-30	30x30		6.25	13		1		1	Deer Crossing symbol	
	TOTALS CARRIED TO GENERAL SUMMARY												229 270

Calculated
Checked

SUBSUMMARY

BUT-4-0.00/Var

229
270

SIGN REPLACEMENT CONTRACT

BUTLER COUNTY - SR-732

REF. NO.	S.L.M.	SIDE	CODE	SIZE	SIGN EXTRUSHEET	SIGN, FLAT SHEET TYPE "G"	GROUND MOUNTED SUPPORTS NO. 3 POST	SIGN, DOUBLE FACED MILEMARKER, TYPE G	REMOVAL OF GROUND MOUNTED SIGN & DISPOSAL	REMOVAL OF GROUND MOUNTED SIGN & RE-ERECTION	REMOVAL OF GROUND MOUNTED POST SUPPORT & DISPOSAL	REMARKS
				INCHES	SQ.FT.	SQ. FT.	LIN. FT.	EACH	EACH	EACH	EACH	
170	13.742	Rt	M-38-24	24x12		2.00	12/12		1		1	SOUTH
			M-2-24-3	30x24		5.00			1			SR-732
171	13.756	Lt	N-2-40	40x20		5.56	13/13		1		2	ENTER BUTLER CO / LEAVE PREBLE CO
			N-1A-40	40x20		5.56			1			OXFORD TOWNSHIP LIMIT
172	13.780	Rt	M-37-24	24x12		2.00	12					NORTH (New, Preble Co)
			M-2-24-3	30x24		5.00						SR-732
TOTALS CARRIED TO GENERAL SUMMARY						24.50	1076.66	2405	12	262	20	196

Calculated _____
Checked _____

SUBSUMMARY

BUT-4-0.00/Var

230
270

SIGN REPLACEMENT CONTRACT

BUTLER COUNTY - SR-744

REF. NO.	S.L.M.	SIDE	CODE	SIZE	SIGN EXTRUSHEET	SIGN, FLAT SHEET TYPE "G"	GROUND MOUNTED SUPPORTS NO. 3 POST	SIGN, DOUBLE FACED MILEMARKER, TYPE G	REMOVAL OF GROUND MOUNTED SIGN & DISPOSAL	REMOVAL OF GROUND MOUNTED SIGN&RE-ERECTION	REMOVAL OF GROUND MOUNTED POST SUPPORT & DISPOSAL	REMARKS	
				INCHES	SQ.FT.	SQ. FT.	LIN. FT.	EACH	EACH	EACH	EACH		Calculated Checked
1	0.000	Rt	N-2-40	40x20		5.56			1		2	ENTER BUTLER CO/LEAVE PREBLE CO	SUBSUMMARY
									2			Remove speed meter sign and mile marker	
			N-1-40	40x20		5.56						Add SOMERVILLE CORP sign	
2	0.000	Rt	N-45-12	12x12			14	1				Mile Marker 0 (Next to corp sign)	BUT-4-0.00/Var
3	0.009	Rt	R-10-24	24x30		5.00			3			SPEED LIMIT 35 MPH	
												(Remove corp. sign and truck sign)	
4	0.110	Rt	R-1-30	30x30		6.25	12		1		1	STOP On Mound Street	
5	0.142	Rt	W-79-30	30x30		6.25	13		1		1	SCHOOL BUS STOP	
6	0.209	Rt	R-1-30	30x30		6.25	12		1		1	STOP On Walnut Street	
7	0.219	Rt					10		1	1	1	Re-erect Deaf Child sign	
8	0.253	Rt	D-1B-72	72x12	6.00		10/10		1		2	← RUSH RUN AREA 2	
9	0.307	Rt	R-1-30	30x30		6.25			1			STOP On Mill Street (Sign only)	
10	0.307	Lt	R-1-30	30x30		6.25	12		1		1	STOP On Mill Street	
11	0.342	Lt	R-10-24	24x30		5.00	13		1	1	1	SPEED LIMIT 35 / Re-erect Deaf Child sign	
12	0.408	Rt	M-2-24-3	30x24		5.00	12		1		1	SR-744	
			M-21-21	21x15		2.19			1			Advance 90 degree left arrow	
13	0.410	Lt	R-10-24	24x30		5.00	12		1		1	SPEED LIMIT 35	
14	0.424	Rt	R-62A-12	12x18		1.50	12		1		1	NO PARKING HERE TO CORNER	
												with left arrow	
	TOTALS CARRIED TO GENERAL SUMMARY												231 270

SIGN REPLACEMENT CONTRACT

BUTLER COUNTY - SR-744

REF. NO.	S.L.M.	SIDE	CODE	SIZE	SIGN EXTRUSHEET	SIGN, FLAT SHEET TYPE "G"	GROUND MOUNTED SUPPORTS NO. 3 POST	SIGN, DOUBLE FACED MILEMARKER, TYPE G	REMOVAL OF GROUND MOUNTED SIGN & DISPOSAL	REMOVAL OF GROUND MOUNTED SIGN&RE-ERECTION	REMOVAL OF GROUND MOUNTED POST SUPPORT & DISPOSAL	REMARKS	
				INCHES	SQ.FT.	SQ. FT.	LIN. FT.	EACH	EACH	EACH	EACH		
23	0.534	Lt	W-45A-36	36x36		9.00	13		1		1	STOP AHEAD symbol	SUBSUMMARY
										1		Re-erect Deaf Child sign	
24	0.548	Lt	R-1-30	30x30		6.25	12		1		1	STOP On Bulldog Road	
25	0.570	Lt	W-79-30	30x30		6.25	12					SCHOOL BUS STOP (New location)	
26	0.580	Lt	W-79-30						1		1	Remove SCHOOL BUS STOP	
27	0.581	Lt	N-1-40	40x20		5.56	12/13		1		2	SOMERVILLE CORP LIMIT	
										1		Re-erect truck parking /	
										1		Re-erect Speed Meter sign	
28	0.581	Lt	R-10-24	24x30		5.00	13		1			SPEED LIMIT 35 (Next to corp sign)	
29	0.585	Rt	W-83-30						1		1	Remove Slippery When Wet	
30	0.632	Lt	W-92-36	36x36		9.00	13		1		1	Fire House symbol	BUT-4-0.00/Var
31	0.734	Rt	W-1-30	30x30		6.25	14		1		1	Right curve	
			W-143-18	18x18		2.25			1			35 MPH advisory	
32	0.893	Rt	W-2-30	30x30		6.25	12		1		1	Left curve	
			W-143-18	18x18		2.25			1			35 MPH advisory	
33	0.898	Lt	W-2-30	30x30		6.25	12		1		1	Left curve	
			W-143-18	18x18		2.25			1			35 MPH advisory	
			W-83-30						1			Remove Slippery When Wet	
TOTALS CARRIED TO GENERAL SUMMARY													

Calculated
Checked

SUBSUMMARY

BUT-4-0.00/Var

233
270

SIGN REPLACEMENT CONTRACT

BUTLER COUNTY - SR-744

REF. NO.	S.L.M.	SIDE	CODE	SIZE	SIGN EXTRUSHEET	SIGN, FLAT SHEET TYPE "G"	GROUND MOUNTED SUPPORTS NO. 3 POST	SIGN, DOUBLE FACED MILEMARKER, TYPE G	REMOVAL OF GROUND MOUNTED SIGN & DISPOSAL	REMOVAL OF GROUND MOUNTED SIGN & RE-ERECTION	REMOVAL OF GROUND MOUNTED POST SUPPORT & DISPOSAL	REMARKS	
				INCHES	SQ.FT.	SQ. FT.	LIN. FT.	EACH	EACH	EACH	EACH		
34	0.947	Lt	W-65-36	36x36		9.00	12		1		1	Hill symbol	SUBSUMMARY
			WP-65-24						1			Remove Hill plate	
35	1.008	Rt	N-45-12	12x12			10	1	1		1	Mile Marker 1	
36	1.058	Lt	W-1-30	30x30		6.25	13		1		1	Right curve	BUT-4-0.00/Var
			W-143-18	18x18		2.25			1			35 MPH advisory	
37	1.516	Lt	W-79-30	30x30		6.25	12					SCHOOL BUS STOP (New location)	
38	1.526	Lt	W-79-30						1		1	Remove SCHOOL BUS STOP	
39	1.536	Rt	W-65-36	36x36		9.00	12		1		1	HILL symbol	
40	1.560	Lt	W-65-36	36x36		9.00	12		1		1	HILL symbol	
41	1.831	Rt	W-79-30	30x30		6.25	12		1		1	SCHOOL BUS STOP	
42	1.892	Lt	W-65-36	36x36		6.25	13		1		1	HILL symbol	
43	1.912	Rt	W-1-30	30x30		6.25	13		1		1	Right curve	
			W-143-18	18x18		2.25			1			35 MPH advisory	
44	1.993	Rt	N-45-12	12x12			10	1	1		1	Mile Marker 2	
45	2.018	Lt	W-79-30	30x30		6.25	12		1		1	SCHOOL BUS STOP	
46	2.135	Rt	W-14-30	30x30		6.25	13		1		1	Left turn	
			W-143-18	18x18		2.25			1			15 MPH advisory	
47	2.157	Lt	W-2-30	30x30		6.25	15		1		1	Left curve	
			W-143-18	18x18		2.25			1			35 MPH advisory	
TOTALS CARRIED TO GENERAL SUMMARY													<div style="border: 1px solid black; border-radius: 50%; width: 30px; height: 30px; display: flex; align-items: center; justify-content: center; margin: 0 auto;"> 234 270 </div>

Calculated _____
Checked _____

SIGN REPLACEMENT CONTRACT

BUTLER COUNTY - SR-744

REF. NO.	S.L.M.	SIDE	CODE	SIZE	SIGN EXTRUSHEET	SIGN, FLAT SHEET TYPE "G"	GROUND MOUNTED SUPPORTS NO. 3 POST	SIGN, DOUBLE FACED MILEMARKER, TYPE G	REMOVAL OF GROUND MOUNTED SIGN & DISPOSAL	REMOVAL OF GROUND MOUNTED SIGN & RE-ERECTION	REMOVAL OF GROUND MOUNTED POST SUPPORT & DISPOSAL	REMARKS	
				INCHES	SQ.FT.	SQ. FT.	LIN. FT.	EACH	EACH	EACH	EACH		Calculated
48	2.181 - 2.217	Rt	W-33-18	18x24		30.00	5@10		10		5	10 chevrons, 5 each direction	SUBSUMMARY
49	2.198	Rt	W-32-48	48x24		8.00	12/12		1		2	Large arrow (Faces EB)	
50	2.200	Rt	W-32-48	48x24		8.00	12/12		1		2	Large arrow (Faces WB)	
51	2.361	Lt	W-13-30	30x30		6.25	13		1		1	Right turn	
			W-143-18	18x18		2.25			1			15 MPH advisory	
52	2.475	Lt	M-40-24	24x12		2.00	12		1		1	WEST	
			M-2-24-3	30x24		5.00			1			SR-744	
53	2.491	Lt	R-1-30	30x30		6.25	12		1		1	STOP On State Road	
54	2.491	Rt	R-1-30	30x30		6.25	12		1		1	STOP On State Road	
55	2.510	Rt	M-39-24	24x12		2.00	12		1		1	EAST	
			M-2-24-3	30x24		5.00			1			SR-744	BUT-4-0.00/Var
56	2.991	Rt	N-45-12	12x12			10	1	1		1	Mile Marker 3	
57	3.105	Rt	N-1A-40	40x20		5.56	12/12		1		2	WAYNE TOWNSHIP LIMIT	
58	3.322	Rt	W-24-30	30x30		6.25	13					CROSS RD (New sign)	
			W-143-18	18x18		2.25						35 MPH advisory	
									1		2	Remove RUSH RUN AREA sign	
59	3.406	Rt	D-1B-72	72x12	6.00		12/12					← RUSH RUN AREA 4	
									2		1	Remove cross rd. and advisory speed sign	
TOTALS CARRIED TO GENERAL SUMMARY													

SIGN REPLACEMENT CONTRACT

BUTLER COUNTY - SR-744

REF. NO.	S.L.M.	SIDE	CODE	SIZE	SIGN EXTRUSHEET	SIGN, FLAT SHEET TYPE "G"	GROUND MOUNTED SUPPORTS NO. 3 POST	SIGN, DOUBLE FACED MILEMARKER, TYPE G	REMOVAL OF GROUND MOUNTED SIGN & DISPOSAL	REMOVAL OF GROUND MOUNTED SIGN&RE-ERECTION	REMOVAL OF GROUND MOUNTED POST SUPPORT & DISPOSAL	REMARKS	Calculated	Checked
				INCHES	SQ.FT.	SQ. FT.	LIN. FT.	EACH	EACH	EACH	EACH			
60	3.464	Lt	M-40-24	24x12		2.00	12		1		1	WEST	SUBSUMMARY	
			M-2-24-3	30x24		5.00			1			SR-744		
61	3.503	Lt	R-1-30	30x30		6.25	12		1		1	STOP On Wayne Trace Road		
62	3.503	Rt	R-1-30	30x30		6.25	12		1		1	STOP On Wayne Trace Road		
63	3.520	Rt	M-39-24	24x12		2.00	12		1		1	EAST		
			M-2-24-3	30x24		5.00			1			SR-744		
64	3.553	Rt	W-1-30	30x30		6.25	13		1		1	Right curve	BUT-4-0.00/Var	
			W-143-18	18x18		2.25			1			35 MPH advisory		
65	3.587	Lt	D-1B-72	72x12	6.00		12/12					RUSH RUN AREA 4 → (New sign)		
									2		1	Remove cross road and advisory speed sign		
66	3.631	Lt	D-1B-72						1		2	Remove RUSH RUN AREA sign		
67	3.660	Lt	W-24-30	30x30		6.25	13					Cross road (New location)		
			W-143-18	18x18		2.25						35 MPH advisory		
68	3.794	Lt	W-2-30	30x30		6.25	14		1		1	Left curve		
			W-143-18	18x18		2.25			1			35 MPH advisory		
69	3.854	Rt	W-5-30	30x30		6.25	13		1		1	Right reverse curve		
			W-143-18	18x18		2.25			1			40 MPH advisory		
70	3.963	Rt	N-45-12						1		1	Remove Mile Marker 4		
71	4.000	Rt	N-45-12	12x12			10	1				Mile Marker 4 (New location)		
TOTALS CARRIED TO GENERAL SUMMARY														

236
270

SIGN REPLACEMENT CONTRACT

BUTLER COUNTY - SR-744

REF. NO.	S.L.M.	SIDE	CODE	SIZE	SIGN EXTRUSHEET	SIGN, FLAT SHEET TYPE "G"	GROUND MOUNTED SUPPORTS NO. 3 POST	SIGN, DOUBLE FACED MILEMARKER, TYPE G	REMOVAL OF GROUND MOUNTED SIGN & DISPOSAL	REMOVAL OF GROUND MOUNTED SIGN&RE-ECTION	REMOVAL OF GROUND MOUNTED POST SUPPORT & DISPOSAL	REMARKS	Calculated	Checked
				INCHES	SQ.FT.	SQ. FT.	LIN. FT.	EACH	EACH	EACH	EACH			
72	4.137	Rt	W-2-30	30x30		6.25	13		1		1	Left curve	SUBSUMMARY	
			W-143-18	18x18		2.25			1			40 MPH advisory		
73	4.155	Lt	W-5-30	30x30		6.25	13		1		1	Right reverse curve		
			W-143-18	18x18		2.25			1			40 MPH advisory		
74	4.388	Lt	W-1-30	30x30		6.25	12		1		1	Right curve		
			W-143-18	18x18		2.25			1			40 MPH advisory		
75	4.605	Rt	W-1-30	30x30		6.25	13		1		1	Right curve		
			W-143-18	18x18		2.25			1			35 MPH advisory		
76	4.871	Lt	W-2-30	30x30		6.25	12		1		1	Left curve	BUT-4-0.00/Var	
			W-143-18	18x18		2.25			1			35 MPH advisory		
77	4.980	Rt	N-45-12						1			Remove mile marker from object marker		
78	5.000	Rt	N-45-12	12x12			10	1				Mile Marker 5 (New location)		
79	5.059	Rt	W-45A-36	36x36		9.00	14/14		1		1	STOP AHEAD symbol		
80	5.151	Rt	M-17-21	21x15		2.19	13/13		1		1	JCT		
			M-2-24-3	30x24		5.00			1			SR-503		
81	5.210	Rt	D-1G-72	72x12	6.00		13/13		1		2	← WEST ELKTON 3		
			D-1G-72	72x12	6.00				1			SEVEN MILE 5 →		
82	5.283	Lt	M-40-24	24x12		2.00	13/13		1		1	WEST		
			M-2-24-3	30x24		5.00			1			SR-744		
	TOTALS CARRIED TO GENERAL SUMMARY												237	270

SIGN REPLACEMENT CONTRACT

BUTLER COUNTY - SR-744

REF. NO.	S.L.M.	SIDE	CODE	SIZE	SIGN EXTRUSHEET	SIGN, FLAT SHEET TYPE "G"	GROUND MOUNTED SUPPORTS NO. 3 POST	SIGN, DOUBLE FACED MILEMARKER, TYPE G	REMOVAL OF GROUND MOUNTED SIGN & DISPOSAL	REMOVAL OF GROUND MOUNTED SIGN&RE-ECTION	REMOVAL OF GROUND MOUNTED POST SUPPORT & DISPOSAL	REMARKS	Calculated	Checked	
				INCHES	SQ.FT.	SQ. FT.	LIN. FT.	EACH	EACH	EACH	EACH		SUBSUMMARY		
83	5.306	Lt	R-1-30	30x30		6.25	12/12		1		1	STOP On SR-747			
84	5.313	Rt	R-1-30	30x30		6.25	12/12		1		1	STOP On SR-747			
85	5.325	Rt	M-2-24-3	30x24		5.00	13/13		1		1	SR-503			
			M-25-21	21x15		2.19			1			Double horizontal arrow			
86	5.325	Lt	R-1-30	30x30		6.25	12/12		1		1	STOP On SR-744			
			M-2-24-3	30x24		5.00			1			SR-503 (On back of Stop sign)			
			M-25-21	21x15		2.19			1			Double horizontal arrow			
87	5.330	Rt	R-1-30	30x30		6.25	12/12		1			STOP On SR-744			
88	5.350	Rt	M-39-24	24x12		2.00	13/13					EAST (New)			
			M-2-24-3	30x24		5.00						SR-744			
89	5.425	Lt	D-1G-72	72x12	6.00		12/14		1		2	WEST ELKTON 3 →	BUT-4-0.00/Var		
			D-1G-72	72x12	6.00				1			← SEVEN MILE 5			
90	5.464	Lt	M-17-21	21x15		2.19	13/13		1		1	JCT			
			M-2-24-3	30x24		5.00			1			SR-503			
91	5.581	Lt	W-45A-36	36x36		9.00	13/13		1		1	STOP AHEAD symbol			
92	5.948	Rt	N-45-12						1		1	Remove Mile Marker 6			
93	6.000	Rt	N-45-12	12x12			10	1				Mile Marker 6 (New location)			
94	6.231	Rt	W-24-30	30x30		6.25	12		1		1	Cross road			
	TOTALS CARRIED TO GENERAL SUMMARY												<table border="1" style="margin: auto;"> <tr> <td style="padding: 2px;">238</td> </tr> <tr> <td style="padding: 2px;">270</td> </tr> </table>	238	270
238															
270															

SIGN REPLACEMENT CONTRACT

BUTLER COUNTY - SR-744

REF. NO.	S.L.M.	SIDE	CODE	SIZE	SIGN EXTRUSHEET	SIGN, FLAT SHEET TYPE "G"	GROUND MOUNTED SUPPORTS NO. 3 POST	SIGN, DOUBLE FACED MILEMARKER, TYPE G	REMOVAL OF GROUND MOUNTED SIGN & DISPOSAL	REMOVAL OF GROUND MOUNTED SIGN&RE-ERECTION	REMOVAL OF GROUND MOUNTED POST SUPPORT & DISPOSAL	REMARKS		
				INCHES	SQ.FT.	SQ. FT.	LIN. FT.	EACH	EACH	EACH	EACH			
95	6.303	Lt	M-40-24						1		1	Remove route marker direction sign	SUBSUMMARY	Calculated Checked
			M-2-24-3						1			Remove SR-744 sign		
96	6.328	Lt	R-1-30	30x30		6.25	12		1		1	STOP On Cotton Run Road		
97	6.328	Rt	R-1-30	30x30		6.25	12		1	1	1	STOP On Cotton Run Road / Re-erect street name		
98	6.355	Rt	M-39-24						1		1	Remove route marker direction sign		
			M-2-24-3						1			Remove SR-503 sign		
99	6.430	Rt	W-24-30	30x30		6.25	12		1		1	Cross road		
100	6.981	Rt	N-45-12						1		1	Remove Mile Marker 7		
101	7.000	Rt	N-45-12	12x12			10	1				Mile Marker 7 (New location)		
102	7.171	Rt	W-26-30	30x30		6.25	12		1		1	Side road		
103	7.305	Lt	M-40-24	24x12		2.00	12		1		1	WEST	BUT-4-0.00/Var	Calculated Checked
			M-2-24-3	30x24		5.00			1			SR-744		
104	7.322	Lt	R-1-30	30x30		6.25	13		1	1	1	STOP On Shurz Road / Re-erect street name		
105	7.346	Rt	M-39-24	24x12		2.00	12		1		1	EAST		
			M-2-24-3	30x24		5.00			1			SR-744		
106	7.476	Lt	W-13-30	30x30		6.25	12		1		1	Right turn		
			W-143-18	18x18		2.25			1			30 MPH advisory		
107	7.486	Rt	W-26-30	30x30		6.25	12		1		1	Side road		
108	7.603 - 7.698	Lt	W-33-18	18x24		54.00	9@10		18		9	18 chevrons, 9 each direction		
	TOTALS CARRIED TO GENERAL SUMMARY													<div style="border: 1px solid black; border-radius: 50%; width: 30px; height: 30px; display: flex; align-items: center; justify-content: center; margin: 0 auto;"> 239 278 </div>

SIGN REPLACEMENT CONTRACT

BUTLER COUNTY - SR-744

REF. NO.	S.L.M.	SIDE	CODE	SIZE	SIGN EXTRUSHEET	SIGN, FLAT SHEET TYPE "G"	GROUND MOUNTED SUPPORTS NO. 3 POST	SIGN, DOUBLE FACED MILEMARKER, TYPE G	REMOVAL OF GROUND MOUNTED SIGN & DISPOSAL	REMOVAL OF GROUND MOUNTED SIGN&RE-ERECTION	REMOVAL OF GROUND MOUNTED POST SUPPORT & DISPOSAL	REMARKS	Calculated	Checked	
															INCHES
109	7.615	Lt	W-32-48	48x24		8.00	12/12		1		2	Large arrow (Faces EB)	SUBSUMMARY		
110	7.664	Lt	W-32-48	48x24		8.00	12/12		1		2	Large arrow (Faces WB)			
111	7.801	Lt	W-14-30	30x30		6.25	12		1		1	Left turn			
			W-143-18	18x18		2.25			1			30 MPH advisory			
112	7.914	Rt	R-1-30	30x30		6.25	12		1		1	STOP On Hope Drive			
113	7.936	Lt	W-13-30	30x30		6.25	12		1		1	Right turn (Faces EB)			
			W-143-18	18x18		2.25			1			25 MPH advisory			
114	7.936	Rt	W-13-30	30x30		6.25	12		1		1	Right turn			
			W-143-18	18x18		2.25			1			25 MPH advisory			
115	7.958	Rt	N-45-12						1		1	Remove Mile Marker 8		BUT-4-0.00/Var	
116	7.978	Lt	W-45A-36	36x36		9.00	13		1		1	STOP AHEAD symbol (Faces EB)			
117	7.978	Rt	W-45A-36	36x36		9.00	13		1		1	STOP AHEAD symbol			
118	7.990	Rt	N-45-12	12x12			10	1				Mile Marker 8 (New location)			
119	7.987 - 8.011	Lt	W-33-18	18x24		18.00	3@10		6		3	6 chevrons, 3 each direction			
120	8.030	Rt	M-2-24-3	30x30		5.00	12		1		1	SR-744			
			M-21-21	21x15		2.19			1			Left advance turn			
121	8.040	Rt	W-14-30	30x30		6.25	12		1		1	Left turn			
			W-143-18	18x18		2.25			1			25 MPH advisory			
	Village of Jacksonburg														
	TOTALS CARRIED TO GENERAL SUMMARY														

240
270

SIGN REPLACEMENT CONTRACT

BUTLER COUNTY - SR-744

REF. NO.	S.L.M.	SIDE	CODE	SIZE	SIGN EXTRUSHEET	SIGN, FLAT SHEET TYPE "G"	GROUND MOUNTED SUPPORTS NO. 3 POST	SIGN, DOUBLE FACED MILEMARKER, TYPE G	REMOVAL OF GROUND MOUNTED SIGN & DISPOSAL	REMOVAL OF GROUND MOUNTED SIGN & RE-ERECTION	REMOVAL OF GROUND MOUNTED POST SUPPORT & DISPOSAL	REMARKS	Calculated	Checked
	Jacksonburg East Corp. Sign			INCHES	SQ.FT.	SQ. FT.	LIN. FT.	EACH	EACH	EACH	EACH		SUBSUMMARY	
	8.388													
122	8.452	Lt	W-75-30	30x30		6.25	12		1		1	CHURCH ENTRANCE		
123	8.474	Rt	R-10-24	24x30		5.00	12		1		1	SPEED LIMIT 55		
124	8.524	Lt	R-1-30	30x30		6.25	12		1		1	STOP On Paullin Drive		
125	8.683	Lt	W-26-30	30x30		6.25	12		1		1	Side road		
126	8.734	Rt	W-79-30	30x30		6.25	12		1		1	SCHOOL BUS STOP		
127	8.961	Rt	N-45-12						1		1	Remove Mile Marker 9		
128	9.000	Rt	N-45-12	12x12			10	1				Mile Marker 9 (New location)		
129	9.167	Lt	W-79-30	30x30		6.25	12		1		1	SCHOOL BUS STOP		
130	9.533	Lt	W-45A-36	36x36		9.00	13		1		1	STOP AHEAD symbol (Faces EB)	BUT-4-0.00/Var	
131	9.533	Rt	W-45A-36	36x36		9.00	13		1		1	STOP AHEAD symbol		
132	9.569	Lt	N-1A-40	40x20		5.56	12/12		1		2	WAYNE TOWNSHIP LIMIT		
133	9.569	Rt	W-80-30	30x30		6.25	12		1		1	SCHOOL BUS TURN		
			M-2-24-3	30x24		5.00			1			SR-122		
135	9.681	Rt	D-1G-72	72x12	6.00		12/12		1		1	MIDDLETOWN 4		
			D-1G-72	72x12	6.00				1			← GRATIS 8		
136	9.737	Lt	M-40-24	24x12		2.00	13		1		1	WEST		
			M-2-24-3	30x24		5.00			1			SR-122		
	TOTALS CARRIED TO GENERAL SUMMARY												241 276	

SIGN REPLACEMENT CONTRACT

BUTLER COUNTY - SR-744

REF. NO.	S.L.M.	SIDE	CODE	SIZE	SIGN EXTRUSHEET	SIGN, FLAT SHEET TYPE "G"	GROUND MOUNTED SUPPORTS NO. 3 POST	SIGN, DOUBLE FACED MILEMARKER, TYPE G	REMOVAL OF GROUND MOUNTED SIGN & DISPOSAL	REMOVAL OF GROUND MOUNTED SIGN&RE-ECTION	REMOVAL OF GROUND MOUNTED POST SUPPORT & DISPOSAL	REMARKS			
				INCHES	SQ.FT.	SQ. FT.	LIN. FT.	EACH	EACH	EACH	EACH		Calculated		
137	9.747	Lt	R-2-36	36x36		9.00	13		1		1	YIELD	Checked		
138	9.760	Rt	W-32-96	96x48	32.00		14/14		5		2	Large arrow / remove 2 route markers and rt directions	SUBSUMMARY		
139	9.762	Rt	R-1-30	30x30		6.25	12		1		1	STOP On SR-744			
140	9.764	Rt	M-2-24-3	30x24		5.00	12					SR-122 (New location)			
			M-24-21	21x15		2.19						Single horizontal arrow			
			M-2-24-3	30x24		5.00	12					SR-744	BUT-4-0.00/Var		
			M-24-21	21x15		2.19						Single horizontal arrow			
TOTALS CARRIED TO GENERAL SUMMARY						86.00	883.08	1982	10	219	10	150	<table border="1" style="margin-left: auto; margin-right: auto;"> <tr><td style="text-align: center;">242</td></tr> <tr><td style="text-align: center;">270</td></tr> </table>	242	270
242															
270															

SIGN REPLACEMENT CONTRACT

BUTLER COUNTY - SR-747

REF. NO.	S.L.M.	SIDE	CODE	SIZE	SIGN EXTRUSHEET	SIGN, FLAT SHEET TYPE "G"	GROUND MOUNTED SUPPORTS NO. 3 POST	SIGN, DOUBLE FACED MILEMARKER, TYPE G	REMOVAL OF GROUND MOUNTED SIGN & DISPOSAL	REMOVAL OF GROUND MOUNTED SIGN & RE-ERECTION	REMOVAL OF GROUND MOUNTED POST SUPPORT & DISPOSAL	REMARKS	
				INCHES	SQ.FT.	SQ. FT.	LIN. FT.	EACH	EACH	EACH	EACH		Calculated
1	0.013	Rt					12/12			1		Re-erect Adopt-A-Hwy sign from pole	SUBSUMMARY
2	0.033	Lt	R-42-24	24x24		4.00	12		1		1	THROUGH TRUCKS PROHIBITED	
										1		Re-erect on eastbound Crescentville Road	
3	0.034	Lt	R-88-24	24x30		5.00	12		1		1	DO NOT BLOCK INTERSECTION	
4	0.078	Rt	R-10-24	24x30		5.00	12		1		1	SPEED LIMIT 40	
5	0.102	Rt	W-75-30	30x30		6.25	12		1		1	TRUCK ENTRANCE	
6	0.230	Lt	R-48-36	36x48		12.00	13/13		1		2	CENTER LANE TWLT ONLY	
7	0.281	Lt	R-1-30	30x30		6.25	13		1	1	1	STOP On Devitt Drive/Re-erect street name	
8	0.304	Rt	R-48-36	36x48		12.00	13/13		1		2	CENTER LANE TWLT ONLY	
9	0.414	Lt	R-1-30	30x30		6.25	12		1	1	1	STOP On Interstate Drive/Re-erect street name	
10	0.445	Lt	R-10-24	24x30		5.00	12		1		1	SPEED LIMIT 40	
11	0.478	Rt	RP-51-36	36x12		3.00	13/13		1		1	END	
			R-48-36	36x48		12.00			1		1	CENTER LANE TWLT ONLY	
12	0.478	Lt	RP-49-36	36x12		3.00	13/13		1		1	BEGIN	
			R-48-36	36x48		12.00			1			CENTER LANE TWLT ONLY	
13	0.649	Rt	R-1-30	30x30		6.25	12		1	1	1	STOP On Dues Drive/Re-erect street name	
14	0.732	Lt	R-48-36	36x48		12.00	12/12		1		2	CENTER LANE TWLT ONLY	
15	0.732	Rt	R-48-36	36x48		12.00	12/12		1		2	CENTER LANE TWLT ONLY	
16	0.764	Lt	R-1-30	30x30		6.25	14		1	1	1	STOP On Provident Drive/Re-erect street name	
17	0.814	Rt	R-121-24	24x24		4.00	12		1		1	NO LEFT TURN (Faces drive)	
	TOTALS CARRIED TO GENERAL SUMMARY												<div style="border: 1px solid black; border-radius: 50%; width: 30px; height: 30px; display: flex; align-items: center; justify-content: center; margin: 0 auto;"> 243 270 </div>

Calculated
Checked

SUBSUMMARY

BUT-4-0.00/Var

SIGN REPLACEMENT CONTRACT

BUTLER COUNTY - SR-747

REF. NO.	S.L.M.	SIDE	CODE	SIZE	SIGN EXTRUSHEET	SIGN, FLAT SHEET TYPE "G"	GROUND MOUNTED SUPPORTS NO. 3 POST	SIGN, DOUBLE FACED MILEMARKER, TYPE G	REMOVAL OF GROUND MOUNTED SIGN & DISPOSAL	REMOVAL OF GROUND MOUNTED SIGN&RE-ERECTION	REMOVAL OF GROUND MOUNTED POST SUPPORT & DISPOSAL	REMARKS	
				INCHES	SQ.FT.	SQ. FT.	LIN. FT.	EACH	EACH	EACH	EACH		Calculated Checked
18	0.815	Lt	R-121-24	24x24		4.00	12		1		1	NO LEFT TURN	SUBSUMMARY
19	0.817	Lt	R-10-24	24x30		5.00	12		1		1	SPEED LIMIT 40	
20	0.839	Lt	W-75-30	30x30		6.25	12		1		1	TRUCK ENTRANCE	
21	0.842	Rt	R-1-30	30x30		6.25	12					On Peter Place (New location)	
22	0.911	Rt	W-47-36	36x36		9.00	13		1		1	Signal Ahead symbol	
			D-8Y-8	48x8		2.67			1			MULHAUSER RD	
23	0.955	Lt	N-45-12				12/12		1		2	Re-erect Adopt-A-Hwy sign	
										1		Remove Mile Marker 1	
24	0.955	Rt	N-45-12						1		1	Remove Mile Marker 1	
25	1.000	Rt	N-45-12	12x12			10	1				Mile Marker 1 (New location)	
26	1.000	Lt	N-45-12	12x12			10	1				Mile Marker 1 (New location)	
27	1.020	Lt	R-31C-48	48x30		10.00	12/12					LEFT/THRU/THRU-RT (New location)	
28	1.078	Rt	R-10-24	24x30		5.00	12		1		1	SPEED LIMIT 45	
29	1.099	Lt	R-31C-48	48x30		10.00	12/12		1		2	LEFT/THRU/THRU-RT	
30	1.113	Lt	R-11B-24	24x30		5.00	12		1		1	REDUCED SPEED AHEAD	
31	1.168	Lt	W-47-36	36x36		9.00	13		1		1	Signal Ahead symbol	
			D-8Y-8	48x8		2.67			1			MULHAUSER RD	
32	1.316	Rt	W-47-36	36x36					1		1	Remove Signal Ahead	
33	1.424	Rt	R-31C-48	48x30		10.00	12/12		1		2	LEFT/THRU/THRU-RT	
34	1.452	Rt	R-31C-48	48x30		10.00	12/12					LEFT/THRU/THRU-RT (New location)	244
TOTALS CARRIED TO GENERAL SUMMARY												270	

SIGN REPLACEMENT CONTRACT

BUTLER COUNTY - SR-747

REF. NO.	S.L.M.	SIDE	CODE	SIZE	SIGN EXTRUSHEET	SIGN, FLAT SHEET TYPE "G"	GROUND MOUNTED SUPPORTS NO. 3 POST	SIGN, DOUBLE FACED MILEMARKER, TYPE G	REMOVAL OF GROUND MOUNTED SIGN & DISPOSAL	REMOVAL OF GROUND MOUNTED SIGN&RE-ECTION	REMOVAL OF GROUND MOUNTED POST SUPPORT & DISPOSAL	REMARKS	Calculated Checked	
													INCHES	SQ.FT.
35	1.470	Lt	R-31C-48	48x30		10.00	12/12					LEFT/THRU/THRU-RT (New location)	SUBSUMMARY	
36	1.506	Rt	R-11A-24						1		1	Remove REDUCED SPEED 45 AHEAD		
37	1.509	Lt	R-31C-48	48x30		10.00	12/12		1		2	LEFT/THRU/THRU-RT		
38	1.526	Rt	R-31FF-48	48x30		10.00	12/12		1		2	LEFT/THRU/THRU		
39	1.537	Lt	R-10-24	24x30		5.00	12					SPEED LIMIT 45 (New location)		
40	1.572	Lt	W-47-36						1		1	Remove SIGNAL AHEAD sign		
41	1.590	Lt	R-1-30	30x30		6.25	12		1	1	1	STOP On Ashley Drive, re-erect street name		
42	1.644	Rt	R-10-24	24x30		5.00	12		1		1	SPEED LIMIT 45		
43	1.845	Rt	R-31FF-48	48x30		10.00	12/12		1		2	LEFT/THRU/THRU		
44	1.850	Lt	R-10-24	24x30		5.00	12		1		1	SPEED LIMIT 45		
45	1.888	Rt	W-47-36						1		1	Remove SIGNAL AHEAD sign	BUT-4-0.00/Var	
			N-1B-40	40x20		5.56	12/12					PORT UNION (New sign)		
46	1.898	Lt	R-1-30	30x30		6.25	12		1		1	STOP On Sutton Place		
47	1.933	Rt	R-31C-48	48x30		10.00	12/12		1		2	LEFT/THRU/THRU-RT		
48	1.990	Rt	D-11-18	72x18	9.00		12/12		1		2	PORT UNION RD		
			N-45-12						1			Remove Mile Marker 2		
49	2.000	Rt	N-45-12	12x12			10	1				Mile Marker 2 (New location)		
50	2.000	Lt	N-45-12	12x12			10	1				Mile Marker 2 (New location)		
51	2.024	Lt	M-38-24	24x12		2.00	12		1		1	SOUTH		
			M-2-24-3	30x24		5.00			1			SR-747		
TOTALS CARRIED TO GENERAL SUMMARY														245 270

SIGN REPLACEMENT CONTRACT

BUTLER COUNTY - SR-747

REF. NO.	S.L.M.	SIDE	CODE	SIZE	SIGN EXTRUSHEET	SIGN, FLAT SHEET TYPE "G"	GROUND MOUNTED SUPPORTS NO. 3 POST	SIGN, DOUBLE FACED MILEMARKER, TYPE G	REMOVAL OF GROUND MOUNTED SIGN & DISPOSAL	REMOVAL OF GROUND MOUNTED SIGN&RE-ERECTION	REMOVAL OF GROUND MOUNTED POST SUPPORT & DISPOSAL	REMARKS	Calculated	Checked
				INCHES	SQ.FT.	SQ. FT.	LIN. FT.	EACH	EACH	EACH	EACH			
52	2.045	Rt	R-31C-48	48x30		10.00	12/12					LEFT/THRU/THRU-RT (New location)	SUBSUMMARY	
53	2.100	Rt	M-37-24	24x12		2.00	12					NORTH (New location)		
			M-2-24-3	30x24		5.00						SR-747		
54	2.109	Lt	R-31C-48	48x30		10.00	12/12		1		2	LEFT/THRU/THRU-RT	BUT-4-0.00/Var	
55	2.164	Lt	W-47-36						1		1	Remove SIGNAL AHEAD sign		
			D-11-18	72x18	9.00		12/12					PORT UNION RD (New sign)		
56	2.170	Rt	R-10-24	24x30		5.00	12		1		1	SPEED LIMIT 45		
57	2.236	Rt	W-94-36	36x36		9.00	13		1		1	Advance Railroad Crossing		
58	2.264	Lt	R-31FF-48	48x30		10.00	12/12		1		1	LEFT/THRU/THRU		
59	2.288	Lt	R-1-30	30x30		6.25	12		1		1	STOP On side street		
60	2.301	Lt	N-1B-40	40x20		5.56	12/12		1		2	PORT UNION		
61	2.385	Rt	R-123-24	24x24		4.00	12		1		1	NO U TURN symbol		
			R-123-24	24x24		4.00			1			NO U TURN symbol (Signs back to back)		
62	2.424	Rt										UNION CENTRE BLVD (Do not disturb)		
63	2.464	Lt	W-94-36	36x36		9.00	13		1		1	Advance Railroad Crossing		
64	2.521	Lt	R-10-24	24x30		5.00	12		1		1	SPEED LIMIT 45		
65	2.565	Rt	W-47-36						1		1	Remove SIGNAL AHEAD sign		
66	2.627	Rt	R-121-24	24x24		4.00						NO LEFT TURN symbol		
67	2.650	Rt	R-31C-48	48x30		10.00	12/12		1		2	LEFT/THRU/THRU-RT		
68	2.699	Rt	IM-8-24	24x12		2.00	13				1	TO (Blue/white)	246	
	TOTALS CARRIED TO GENERAL SUMMARY												270	

SIGN REPLACEMENT CONTRACT

BUTLER COUNTY - SR-747

REF. NO.	S.L.M.	SIDE	CODE	SIZE	SIGN EXTRUSHEET	SIGN, FLAT SHEET TYPE "G"	GROUND MOUNTED SUPPORTS NO. 3 POST	SIGN, DOUBLE FACED MILEMARKER, TYPE G	REMOVAL OF GROUND MOUNTED SIGN & DISPOSAL	REMOVAL OF GROUND MOUNTED SIGN&RE-ERECTION	REMOVAL OF GROUND MOUNTED POST SUPPORT & DISPOSAL	REMARKS	Calculated	Checked
				INCHES	SQ.FT.	SQ. FT.	LIN. FT.	EACH	EACH	EACH	EACH			
			M-5-24-2	24x24		4.00			1			I-75		
			IM-24-21	21x15		2.19			1			Single horizontal arrow (Blue/white)		
69	2.720	Lt	M-38-24	24x12		2.00	12		1		1	SOUTH		
			M-2-24-3	30x24		5.00			1			SR-747		
70	2.730	Rt	R-31C-48	48x30		10.00	12/12					LEFT/THRU/THRU-RT (New location)		
71	2.731	Lt					12/12			1	2	Re-erect UNION CENTRE BLVD sign		
72	2.734	Rt	M-2-24-3	30x24		5.00	12		1		1	SR-747		
			M-25-21	21x15		2.19			1			Double horizontal arrow (Faces side street)		
73	2.755	Lt	M-2-24-3	30x24		5.00	12		1		1	SR-747		
			M-25-21	21x15		2.19			1			Double horizontal arrow (Faces side street)		
74	2.755	Rt					12/12			1	2	Re-erect UNION CENTRE BLVD sign		
75	2.757	Lt	R-31C-48	48x30		10.00	12/12					LEFT/THRU/THRU-RT (New location)		
76	2.763	Rt	M-37-24	24x12		2.00	12		1		1	NORTH		
			M-2-24-3	30x24		5.00			1			SR-747		
			R-31F-48						1		2	Remove Lane Use sign (Next to route marker)		
77	2.769	Rt	R-31E-48	48x30		10.00	12/12					THRU/THRU/RT (New location)		
78	2.770	Lt	IM-8-24	24x12		2.00	13		1		1	TO (Blue/white)		
			M-5-24-2	24x24		4.00			1			I-75		
			IM-24-21	21x19		2.19			1			Single horizontal arrow (Blue/white)		
79	2.773	Rt	W-53R-36	36x36		9.00	13		1		1	RIGHT LANE ENDS		
	TOTALS CARRIED TO GENERAL SUMMARY												247	270

Calculated
Checked

SUBSUMMARY

BUT-4-0.00/Var

247
270

SIGN REPLACEMENT CONTRACT

BUTLER COUNTY - SR-747

REF. NO.	S.L.M.	SIDE	CODE	SIZE	SIGN EXTRUSHEET	SIGN, FLAT SHEET TYPE "G"	GROUND MOUNTED SUPPORTS NO. 3 POST	SIGN, DOUBLE FACED MILEMARKER, TYPE G	REMOVAL OF GROUND MOUNTED SIGN & DISPOSAL	REMOVAL OF GROUND MOUNTED SIGN&RE-ERECTION	REMOVAL OF GROUND MOUNTED POST SUPPORT & DISPOSAL	REMARKS	
				INCHES	SQ.FT.	SQ. FT.	LIN. FT.	EACH	EACH	EACH	EACH		Calculated
80	2.821	Rt	W-60R-36	36x36		9.00	13		1		1	Right Lane Reduction symbol	SUBSUMMARY
81	2.877	Lt	R-31FF-48	48x30		10.00	12/12		1		2	LEFT/THRU/THRU	
82	2.879	Rt	R-31Z-30	30x30		6.25	12		1		1	THRU/RT	
83	2.907	Lt	IM-8-24	24x12		2.00	13		1		1	TO (Blue/white)	
			M-5-24-2	24x24		4.00			1			I-75	
			IM-21-21	21x15		2.19			1			Advance Left Turn (Blue/white)	
84	2.919	Rt	R-1-30	30x30		6.25	12		1	1	1	STOP On side street / re-erect street name	BUT-4-0.00/Var
85	2.934	Lt	W-47-36						1		1	Remove Signal Ahead sign	
86	2.968	Rt	N-45-12						1		1	Remove Mile Marker 3	
87	2.968	Lt	N-45-12						1		1	Remove Mile Marker 3	
88	2.972	Lt	R-31FF-48	48x30		10.00	12/12		1		2	LEFT/THRU/THRU	
89	3.000	Rt	N-45-12	12x12			10	1				Mile Marker 3 (New location)	
90	3.003	Lt	R-10-24	24x30		5.00	12		1		1	SPEED LIMIT 45	
	Suspend Work 3.003												
	Resume Work at Tylersville Road												
	(4.140)												
91	4.148	Lt	R-31M-48	48x30		10.00	12/12					LEFT/THRU/RT (New location)	
92	4.161	Rt	M-37-24	24x12		2.00	12		1		1	NORTH	
			M-2-24-3	30x24		5.00			1			SR-747	
93	4.205	Lt	R-31M-48	48x30		10.00	12/12		1		1	LEFT/THRU/RT	
	TOTALS CARRIED TO GENERAL SUMMARY												

Calculated
Checked

SUBSUMMARY

BUT-4-0.00/Var

248
270

SIGN REPLACEMENT CONTRACT

BUTLER COUNTY - SR-747

REF. NO.	S.L.M.	SIDE	CODE	SIZE	SIGN EXTRUSHEET	SIGN, FLAT SHEET TYPE "G"	GROUND MOUNTED SUPPORTS NO. 3 POST	SIGN, DOUBLE FACED MILEMARKER, TYPE G	REMOVAL OF GROUND MOUNTED SIGN & DISPOSAL	REMOVAL OF GROUND MOUNTED SIGN&RE-ERECTION	REMOVAL OF GROUND MOUNTED POST SUPPORT & DISPOSAL	REMARKS	
				INCHES	SQ.FT.	SQ. FT.	LIN. FT.	EACH	EACH	EACH	EACH		Calculated
94	4.205	Rt	R-31Q-30	30x30		6.25	12		1		1	LEFT/THRU	SUBSUMMARY
95	4.282	Lt	W-47-36	36x36		9.00	13		1		1	Signal Ahead symbol	
96	4.524	Rt	W-2-30	30x30		6.25	12		1		1	Left curve	
			W-143-18	18x18		2.25			1			45 MPH advisory	
97	4.651 - 4.672	Rt	W-33-18	18x24		24.00	4@10		8		4	8 chevrons, 4 each direction	
98	4.701	Lt	W-166-36	36x36		9.00	13		1		1	WATCH FOR STOPPED TRAFFIC	
99	4.752	Lt	W-1-30	30x30		6.25	12		1		1	Right curve	
			W-143-18	18x18		2.25			1			45 MPH advisory	
100	4.806	Rt	W-47-36	36x36		9.00	13		1		1	Signal Ahead symbol	
101	4.892	Rt	R-31K-36	36x30		7.50	12/12		1		1	LEFT/THRU-RT	BUT-4-0.00/Var
102	4.947	Rt	R-31K-36	36x30		7.50	12/12					LEFT/THRU-RT (New location)	
103	4.970	Lt	R-31K-36	36x30		7.50	12/12					LEFT/THRU-RT (New location)	
104	4.982	Rt	N-45-12						1		1	Remove Mile Marker 5	
105	5.000	Rt	N-45-12	12x12			10	1				Mile Marker 5 (New location)	
106	5.023	Lt	R-31K-36	36x30		7.50	12/12		1		2	LEFT/THRU-RT	
107	5.107	Lt	W-47-36	36x36		9.00	13		1		1	Signal Ahead symbol	
108	5.239	Rt	M-17-21	21x15		2.19	12		1		1	JCT	
			M-2-24-3	30x24		5.00			1			SR-129	
109	5.281	Lt	D-6-60									SPRINGDALE 6 (Do not disturb)	
												I-275 8	249
	TOTALS CARRIED TO GENERAL SUMMARY												270

SIGN REPLACEMENT CONTRACT

BUTLER COUNTY - SR-747

REF. NO.	S.L.M.	SIDE	CODE	SIZE	SIGN EXTRUSHEET	SIGN, FLAT SHEET TYPE "G"	GROUND MOUNTED SUPPORTS NO. 3 POST	SIGN, DOUBLE FACED MILEMARKER, TYPE G	REMOVAL OF GROUND MOUNTED SIGN & DISPOSAL	REMOVAL OF GROUND MOUNTED SIGN&RE-ERECTION	REMOVAL OF GROUND MOUNTED POST SUPPORT & DISPOSAL	REMARKS	
				INCHES	SQ.FT.	SQ. FT.	LIN. FT.	EACH	EACH	EACH	EACH		Calculated
110	5.312	Rt	RP-49-24	24x6		1.00	12		1		1	BEGIN	SUBSUMMARY
			R-48-24	24x36		6.00			1			CENTER LANE TWLT ONLY	
111	5.312		RP-51	24x6		1.00	12		1		1	END	
			R-48-24	24x36		6.00			1			CENTER LANE TWLT ONLY	
112	5.341	Rt	M-52A-108									Do not disturb	
113	5.349	Lt	R-10-24	24x30		5.00	12		1		1	SPEED LIMIT 55	
114	5.368	Lt	W-60R-36	36x36		9.00	13		1		1	Right Lane Ends symbol	BUT-4-0.00/Var
115	5.370	Rt	D-6-60									Do not disturb	
116	5.400	Lt	M-38-24	24x12		2.00	12		1		1	SOUTH	
			M-2-24-3	30x24		5.00			1			SR-747	
117	5.416	Lt	W-53R-36	36x36		9.00	13		1		1	RIGHT LANE ENDS	
118	5.420	Rt	M-52A-108									Do not disturb	
119	5.436	Lt	R-31FF-48	48x30		10.00	12/12					LEFT/THRU/THRU (New location)	
120	5.464	Rt	M-40-24	24x12		2.00						WEST	
			M-2-24-3	30x24		5.00						SR-129	
			M-21-21	21x15		2.19						Advance Left Arrow	
121	5.479	Lt	R-31FF-48	48x30		10.00			1			LEFT/THRU/THRU (Use existing bridge support)	250 270
122	5.522	Rt	R-31FF-48	48x30		10.00	12/12		1		2	LEFT/THRU/THRU	
123	5.525	Lt	M-39-24	24x12		2.00	13		1		1	EAST	
			M-2-24-3	30x24		5.00			1			SR-129	
TOTALS CARRIED TO GENERAL SUMMARY													

SIGN REPLACEMENT CONTRACT

BUTLER COUNTY - SR-747

REF. NO.	S.L.M.	SIDE	CODE	SIZE	SIGN EXTRUSHEET	SIGN, FLAT SHEET TYPE "G"	GROUND MOUNTED SUPPORTS NO. 3 POST	SIGN, DOUBLE FACED MILEMARKER, TYPE G	REMOVAL OF GROUND MOUNTED SIGN & DISPOSAL	REMOVAL OF GROUND MOUNTED SIGN&RE-ERECTION	REMOVAL OF GROUND MOUNTED POST SUPPORT & DISPOSAL	REMARKS	
				INCHES	SQ.FT.	SQ. FT.	LIN. FT.	EACH	EACH	EACH	EACH		Calculated
140	5.884	Rt	D-7-72						1		2	Remove PRINCETON RD sign	SUBSUMMARY
141	5.948	Rt	R-3L-24	24x36		6.00	12		1		1	STOP HERE ON RED / Left Arrow	
142	5.970	Rt	M-37-24	24x12		2.00	12		1		1	NORTH	
			M-2-24-3	30x24		5.00			1			SR-747	
			N-45-12						1			Remove Mile Marker 6	
143	5.970	Lt	R-3L-24	24x36		6.00	12		1		1	STOP HERE ON RED / Left Arrow	BUT-4-0.00/Var
144	6.000	Rt	N-45-12	12x12			10	1				Mile Marker 6 (New location)	
145	6.194	Lt	W-47-36	36x36		9.00	13		1		1	Signal Ahead symbol	
146	6.308	Rt	R-31Q-30	30x30		6.25	12		1		1	LEFT/THRU	
147	6.366	Rt	R-31Q-30	30x30		6.25	12		1		1	LEFT/THRU	
148	6.376	Lt	R-1-30	30x30		6.25	12		1		1	STOP On Willow Ridge Road	
149	6.388	Lt	R-31Z-30	30x30		6.25	12		1		1	THRU/RT	
150	6.436	Lt	R-31Z-30	30x30		6.25	12		1		1	THRU/RT	
151	6.671	Lt	W-1-30	30x30		6.25	13		1		1	Right curve	
152	6.741	Rt	R-31Q-30	30x30		6.25	12		1		1	LEFT/THRU	
153	6.772	Rt	R-31Q-30	30x30		6.25	12		1		1	LEFT/THRU	
154	6.831	Rt	R-11B-24	24x30		5.00	12		1		1	REDUCED SPEED AHEAD	
	6.832		Suspend Work										
	7.093		Resume Work										
155	7.115	Lt	W-24-30	30x30		6.25	12		1		1	Cross Road symbol	252
	TOTALS CARRIED TO GENERAL SUMMARY												270

SIGN REPLACEMENT CONTRACT

BUTLER COUNTY - SR-747

REF. NO.	S.L.M.	SIDE	CODE	SIZE	SIGN EXTRUSHEET	SIGN, FLAT SHEET TYPE "G"	GROUND MOUNTED SUPPORTS NO. 3 POST	SIGN, DOUBLE FACED MILEMARKER, TYPE G	REMOVAL OF GROUND MOUNTED SIGN & DISPOSAL	REMOVAL OF GROUND MOUNTED SIGN&RE-ERECTION	REMOVAL OF GROUND MOUNTED POST SUPPORT & DISPOSAL	REMARKS	
				INCHES	SQ.FT.	SQ. FT.	LIN. FT.	EACH	EACH	EACH	EACH		Calculated Checked
156	7.239	Rt	R-10-24	24x30		5.00	12		1		1	SPEED LIMIT 40 MPH	SUBSUMMARY
157	7.255	Lt	R-10-24	24x30		5.00	12		1		1	SPEED LIMIT 40 MPH	
158	7.259	Rt	W-92-36	36x36		9.00	13		1		1	Fire House symbol	
159	7.529	Lt	W-92-36	36x36		9.00	13		1		1	Fire House symbol	
160	7.531	Rt	R-10-24						1		1	Remove Speed Limit 55 sign	
161	7.543	Lt	W-79-30	30x30		6.25	12		1		1	SCHOOL BUS STOP	
162	7.576	Lt	R-10-24						1		1	Remove Speed Limit 40 sign	
163	7.137	Lt	R-11B-24									Remove Reduce Speed Ahead sign	
164	7.651	Lt	R-10-24	24x30		5.00	12					SPEED LIMIT 40 MPH	
165	7.651	Rt	R-10-24	24x30		5.00	12					SPEED LIMIT 55 MPH	
166	7.751	Lt	R-11B-24	24x30		5.00	12					REDUCED SPEED AHEAD	BUT-4-0.00/Var
167	7.784	Rt	W-24-30	30x30		6.25	13		1		1	Cross Road symbol	
										1		Re-erect CDL sign	
										1		Re-erect Left Arrow	
168	7.948	Rt	N-45-12						1		1	Remove Mile Marker 8	
169	8.000	Rt	N-45-12	12x12			10	1				Mile Marker 6	
170	8.002	Lt	M-38-24	24x12		2.00	12		1		1	SOUTH	
			M-2-24-3	30x24		5.00			1			SR-747	
171	8.031	Rt	R-1-30	30x30		12.50	12/12		2		2	Dual Stops on Kyle Station Road	
172	8.031	Lt	R-1-30	30x30		12.50	12/12		2		2	Dual Stops on Kyle Station Road	
	TOTALS CARRIED TO GENERAL SUMMARY												253 270

SIGN REPLACEMENT CONTRACT

BUTLER COUNTY - SR-747

REF. NO.	S.L.M.	SIDE	CODE	SIZE	SIGN EXTRUSHEET	SIGN, FLAT SHEET TYPE "G"	GROUND MOUNTED SUPPORTS NO. 3 POST	SIGN, DOUBLE FACED MILEMARKER, TYPE G	REMOVAL OF GROUND MOUNTED SIGN & DISPOSAL	REMOVAL OF GROUND MOUNTED SIGN&RE-ERECTION	REMOVAL OF GROUND MOUNTED POST SUPPORT & DISPOSAL	REMARKS	
				INCHES	SQ.FT.	SQ. FT.	LIN. FT.	EACH	EACH	EACH	EACH		Calculated Checked
173	8.040	Rt	M-37-24	24x12		2.00	12		1		1	NORTH	SUBSUMMARY
			M-2-24-3	30x24		5.00			1			SR-747	
174	8.140	Lt	W-24-30	30x30		6.25	13		1		1	Cross Road symbol	SUBSUMMARY
										1		Re-erect CDL sign	
										1		Re-erect Left Arrow	SUBSUMMARY
175	8.163	Lt	R-1-30	30x30		6.25	12		1		1	STOP On Mercedes Lane	
176	8.400	Rt	W-47-36	36x36		9.00	13					Signal Ahead symbol (New location)	SUBSUMMARY
177	8.458	Lt	W-47-36									Remove Signal Ahead sign	
178	8.480	Rt	M-17-24	24x12					1		1	Remove JCT sign	BUT-4-0.00/Var
			M-2-24-2	24x24					1			Remove SR-4 sign	
179	8.537	Rt	M-17-21	21x15		2.19	12					JCT (New location)	BUT-4-0.00/Var
			M-2-24-2	24x24		4.00						SR-4	
180	8.585	Rt	M-50-66						1		2	Remove M-50 sign	BUT-4-0.00/Var
181	8.585	Rt	D-1G-72	72x12	6.00		12/12					← HAMILTON 6 (New location)	
			D-1G-72	72x12	6.00							MIDDLETOWN 7 →	BUT-4-0.00/Var
182	8.604	Rt	D-1G-72						3		2	Remove 3 ea., D-1G-72 signs	
183	8.620	Lt	R-55-12						1		1	Remove NO PARKING sign (Double arrow)	BUT-4-0.00/Var
184	8.620	Lt	R-55R-12	12x18		1.50	10					NO PARKING sign (Right arrow)	
185	8.625	Rt	R-55L-12	12x18		1.50	10		1		1	NO PARKING sign (Left arrow)	BUT-4-0.00/Var
186	8.643	Rt	R-55-12						1		1	Remove NO PARKING sign	
TOTALS CARRIED TO GENERAL SUMMARY													254 270

SIGN REPLACEMENT CONTRACT

BUTLER COUNTY - SR-748

REF. NO.	S.L.M.	SIDE	CODE	SIZE	SIGN EXTRUSHEET	SIGN, FLAT SHEET TYPE "G"	GROUND MOUNTED SUPPORTS NO. 3 POST	SIGN, DOUBLE FACED MILEMARKER, TYPE G	REMOVAL OF GROUND MOUNTED SIGN & DISPOSAL	REMOVAL OF GROUND MOUNTED SIGN & RE-ERECTION	REMOVAL OF GROUND MOUNTED POST SUPPORT & DISPOSAL	REMARKS	Calculated	Checked
	0.000 - Centerline of SR-126			INCHES	SQ.FT.	SQ. FT.	LIN. FT.	EACH	EACH	EACH	EACH			
1	0.011	Lt	R-1-30	30x30		6.25	12		1		1	STOP On SR-748		
2	0.011	Rt	R-1-30	30x30		6.25	12				1	STOP On SR-748		
								1	1			0 Mile Marker		
3	0.035	Rt	M-37-24	24x12		2.00	12		1		1	NORTH		
			M-2-24-3	30x24		5.00			1			SR-748		
4	0.083	Lt	M-17-21	21x15		2.19	13		1		1	JCT		
			M-2-24-3	30x24		5.00			1			SR-126		
5	0.103	Lt	W-45A-36	36x36		9.00	13		1		1	STOP AHEAD symbol		
6	0.113	Lt	M-14-24	24x12		2.00	13		1		1	END (new) SOUTH (existing)		
			M-2-24-3	30x24		5.00			1			SR-748		
7	0.116	Lt	R-1-30	30x30		6.25	12		1		1	STOP On Cherry Street		
8	0.141	Rt	M-37-24	24x12		2.00	12		1		1	NORTH		
			M-2-24-3	30x24		5.00			1			SR-748		
9	0.170	Rt	W-13-30	30x30		6.25	13		1		1	Right turn		
			W-143-18	18x18		2.25			1			25 MPH advisory		
10	0.236 - 0.277	Lt	W-33-18	18x24		36.00	6@10		12		6	12 chevrons, 6 each direction		
11	0.243	Lt	W-32-48	48x24		8.00	11/11		1		2	Large arrow (Faces SB)		
12	0.252	Lt	W-32-48	48x24		8.00	12/12		1		2	Large arrow (Faces NB)		
13	0.295	Lt	N-1B-40	40x20		5.56	12/12		1		2	SHANDON		
	TOTALS CARRIED TO GENERAL SUMMARY													

SUBSUMMARY

BUT-4-0.00/Var

256
270

SIGN REPLACEMENT CONTRACT

BUTLER COUNTY - SR-748

REF. NO.	S.L.M.	SIDE	CODE	SIZE	SIGN EXTRUSHEET	SIGN, FLAT SHEET TYPE "G"	GROUND MOUNTED SUPPORTS NO. 3 POST	SIGN, DOUBLE FACED MILEMARKER, TYPE G	REMOVAL OF GROUND MOUNTED SIGN & DISPOSAL	REMOVAL OF GROUND MOUNTED SIGN & RE-ERECTION	REMOVAL OF GROUND MOUNTED POST SUPPORT & DISPOSAL	REMARKS		
				INCHES	SQ.FT.	SQ. FT.	LIN. FT.	EACH	EACH	EACH	EACH			
24	1.392	Lt	W-2-30						1		1	Remove left curve sign	SUBSUMMARY	
			W-143-18						1			Remove advisory sign		
			W-6-30	30x30		6.25	13		1		1	Left reverse curve sign		
			W-143-18	18x18		2.25			1			40 MPH advisory		
25	1.442	Lt	M-38-24	24x12		2.00	13		1		1	SOUTH		
			M-2-24-3	30x24		5.00			1			SR-748		
26	1.465	Rt	W-32-48	48x24		8.00	12/12		1		2	Large arrow (Faces side road)		
27	1.469	Lt	R-1-30	30x30		6.25	12		1		1	STOP On Bell Road		
28	1.507	Rt	M-37-24	24x12		2.00	12					NORTH (New)	BUT-4-0.00/Var	
			M-2-24-3	30x24		5.00						SR-748		
29	1.536	Lt	W-2-30						1		1	Remove left curve sign		
			W-143-18						1			Remove advisory speed sign		
30	1.552	Lt	W-26B-30						1		1	Remove angle side road sign		
			W-143-18						1			Remove advisory sign		
			W-2-30 Spec.	30x30		6.25	13					Left curve / side road		
			W-143-18	18x18		2.25						35 MPH advisory		
31	1.570	Rt	W-10-30	30x30		6.25	12		1		1	Left reverse curve		
			W-143-18	18x18		2.25			1			30 MPH advisory		
32	1.880	Rt	W-13-30	30x30		6.25	12		1		1	Right turn		
			W-143-18	18x18		2.25			1			30 MPH advisory		
	TOTALS CARRIED TO GENERAL SUMMARY													258 270

SIGN REPLACEMENT CONTRACT

BUTLER COUNTY - SR-748

REF. NO.	S.L.M.	SIDE	CODE	SIZE	SIGN EXTRUSHEET	SIGN, FLAT SHEET TYPE "G"	GROUND MOUNTED SUPPORTS NO. 3 POST	SIGN, DOUBLE FACED MILEMARKER, TYPE G	REMOVAL OF GROUND MOUNTED SIGN & DISPOSAL	REMOVAL OF GROUND MOUNTED SIGN&RE-ERECTION	REMOVAL OF GROUND MOUNTED POST SUPPORT & DISPOSAL	REMARKS	Calculated Checked	
													INCHES	SQ.FT.
33	1.993	Rt	N-45-12	12x12			9	1	1		1	Mile Marker 2	SUBSUMMARY	
34	2.034	Lt	W-10-30	30x30		6.25	12		1		1	Left reverse curve		
			W-143-18	18x18		2.25			1			40 MPH advisory		
35	2.229	Rt	W-1-30	30x30		6.25	13		1		1	Right curve		
			W-143-18	18x18		2.25			1			45 MPH advisory		
36	2.281	Rt	W-79-30	30x30		6.25	12		1		1	School Bus Stop Ahead		
37	2.391	Rt	W-1-30	30x30		6.25	13		1		1	Right curve		
			W-143-18	18x18		2.25			1			35 MPH advisory		
38	2.406	Lt	W-2-30	30x30		6.25	13		1		1	Left curve		
			W-143-18	18x18		2.25			1			45 MPH advisory		
39	2.444 - 2.513	Lt	W-33-18	18x24		42.00	7@10		14		7	14 chevrons, 7 each direction	BUT-4-0.00/Var	
40	2.571	Lt	W-2-30	30x30		6.25	12		1		1	Left curve		
			W-143-18	18x18		2.25			1			35 MPH advisory		
41	2.587	Rt	W-2-30	30x30		6.25	13		1		1	Left curve		
			W-143-18	18x18		2.25			1			45 MPH advisory		
42	2.692	Lt	W-79-30	30x30		6.25	13		1		1	School Bus Stop Ahead		
43	2.769	Lt	W-1-30	30x30		6.25	13		1		1	Right curve		
44	2.824	Rt	W-24-30	30x30		6.25	12		1		1	Intersection Ahead		
45	2.882	Lt	M-38-24	24x12		2.00	13		1		1	SOUTH		
			M-2-24-3	30x24		5.00			1			SR-748		
TOTALS CARRIED TO GENERAL SUMMARY														<div style="border: 1px solid black; border-radius: 50%; width: 30px; height: 30px; display: flex; align-items: center; justify-content: center; margin: 0 auto;"> 259 270 </div>

SIGN REPLACEMENT CONTRACT

BUTLER COUNTY - SR-748

REF. NO.	S.L.M.	SIDE	CODE	SIZE	SIGN EXTRUSHEET	SIGN, FLAT SHEET TYPE "G"	GROUND MOUNTED SUPPORTS NO. 3 POST	SIGN, DOUBLE FACED MILEMARKER, TYPE G	REMOVAL OF GROUND MOUNTED SIGN & DISPOSAL	REMOVAL OF GROUND MOUNTED SIGN & RE-ERECTION	REMOVAL OF GROUND MOUNTED POST SUPPORT & DISPOSAL	REMARKS	Calculated	Checked
				INCHES	SQ.FT.	SQ. FT.	LIN. FT.	EACH	EACH	EACH	EACH			
46	2.915	Lt					12/12			1	2	Re-erect Morgan Township 911 sign		
47	2.915	Rt	R-1-30	30x30		12.50	2@12		2		2	Dual STOP signs on Morgan Ross Road		
48	2.915	Lt	R-1-30	30x30		12.50	2@12		2		2	Dual STOP signs on Morgan Ross Road		
49	2.951	Rt	M-37-24	24x12		2.00	12		1		1	NORTH		
			M-2-24-3	30x24		5.00			1			SR-748		
50	2.985	Rt	N-45-12						1		1	Remove Mile Marker 3		
51	3.000	Rt	N-45-12	12x12			10	1				Mile Marker 3 (New location)		
52	3.007	Lt	W-24-30	30x30		6.25	13		1		1	Cross road		
53	3.197	Lt	R-1-30	30x30		6.25	14		1	1	1	STOP on Kirschling / re-erect street name		
54	3.235	Rt	W-24-30	30x30		6.25	12		1		1	Cross road		
			W-143-18	18x18		2.25			1			35 MPH advisory		
55	3.235	Lt	W-24-30	30x30		6.25	12		1		1	Cross road (Faces NB)		
			W-143-18	18x18		2.25			1			35 MPH advisory		
56	3.290	Lt	W-26A-30	30x30		6.25	12		1		1	Lt. angle side street		
57	3.302	Lt	M-38-24	24x12		2.00	12		1		1	SOUTH		
			M-2-24-2	30x24		5.00			1			SR-748		
58	3.315	Lt	R-1-30	30x30		12.50	2@12		2		2	Dual STOP signs on Layhigh Road		
			R-106-24	24x18		6.00			2			Cross traffic signs also dualled		
59	3.315	Rt	R-1-30	30x30		12.50	2@12		2		2	Dual STOP signs on Layhigh Road		
			R-106-24	24x18		6.00			2			Cross traffic signs also dualled		
	TOTALS CARRIED TO GENERAL SUMMARY													

SUBSUMMARY

BUT-4-0.00/Var

260
270

SIGN REPLACEMENT CONTRACT

BUTLER COUNTY - SR-748

REF. NO.	S.L.M.	SIDE	CODE	SIZE	SIGN EXTRUSHEET	SIGN, FLAT SHEET TYPE "G"	GROUND MOUNTED SUPPORTS NO. 3 POST	SIGN, DOUBLE FACED MILEMARKER, TYPE G	REMOVAL OF GROUND MOUNTED SIGN & DISPOSAL	REMOVAL OF GROUND MOUNTED SIGN&RE-ERECTION	REMOVAL OF GROUND MOUNTED POST SUPPORT & DISPOSAL	REMARKS	Calculated	Checked
				INCHES	SQ.FT.	SQ. FT.	LIN. FT.	EACH	EACH	EACH	EACH			
60	3.335	Rt	M-37-24	24x12		2.00	12					NORTH (New)	SUBSUMMARY	
			M-2-24-3	30x24		5.00						SR-748		
61	3.472	Rt	W-24-30	30x30		6.25	13		1		1	Cross road (Faces SB)		
			W-143-18	18x18		2.25			1			35 MPH advisory		
62	3.472	Lt	W-24-30	30x30		6.25	13		1		1	Cross road		
			W-143-18	18x18		2.25			1			35 MPH advisory		
63	3.795 - 3.820	Rt	W-33-18	18x24		36.00	6@9		12		6	12 chevrons, 6 each direction		
64	3.950	Rt	W-2-30	30x30		6.25	12		1		1	Left curve		
			W-143-18	18x18		2.25			1			35 MPH advisory		
65	3.976	Rt	N-45-12						1		1	Remove Mile Marker 4		
66	3.995	Rt	W-79-30	30x30		6.25	12		1		1	School Bus Stop Ahead		
			N-45-12	12x12				1				Mile Marker 4		
67	4.029 - 4.081	Rt	W-33-18	18x24		36.00	6@9		12		6	12 chevrons, 6 each direction		
68	4.195	Rt	W-1-30	30x30		6.25	13		1		1	Right curve		
			W-143-18	18x18		2.25			1			35 MPH advisory		
69	4.214	Lt	W-1-30	30x30		6.25	13		1		1	Right curve		
			W-143-18	18x18		2.25			1			35 MPH		
70	4.309 - 4.320	Lt	W-33-18	18x24		12.00	2@9		4		2	4 chevrons, 2 each direction		
71	4.368	Lt	W-2-30	30x30		6.25	13		1		1	Left curve		
			W-143-18	18x18		2.25			1			35 MPH advisory		
	TOTALS CARRIED TO GENERAL SUMMARY												261	270

BUT-4-0.00/Var

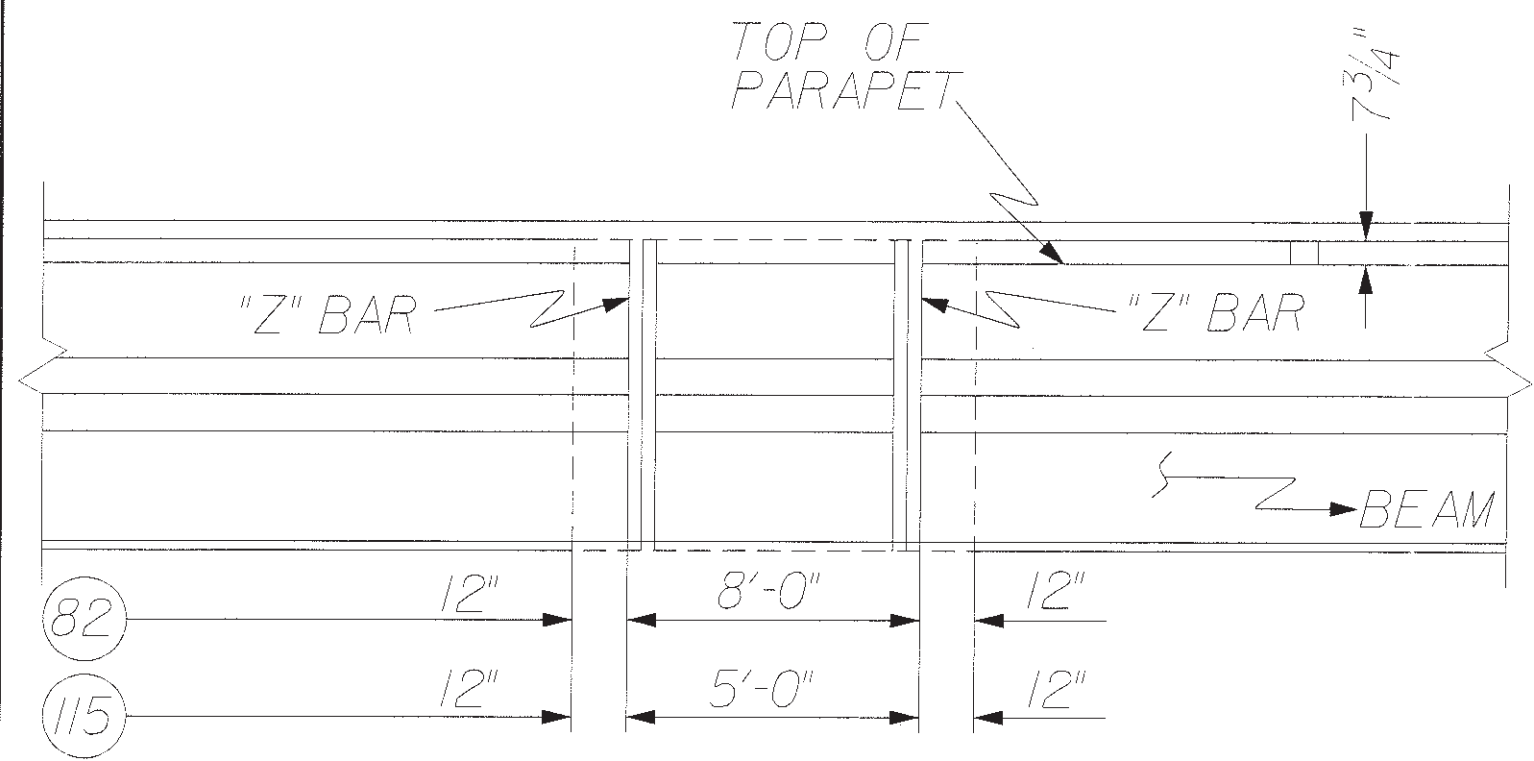
261
270

CALCULATED
CHECKED

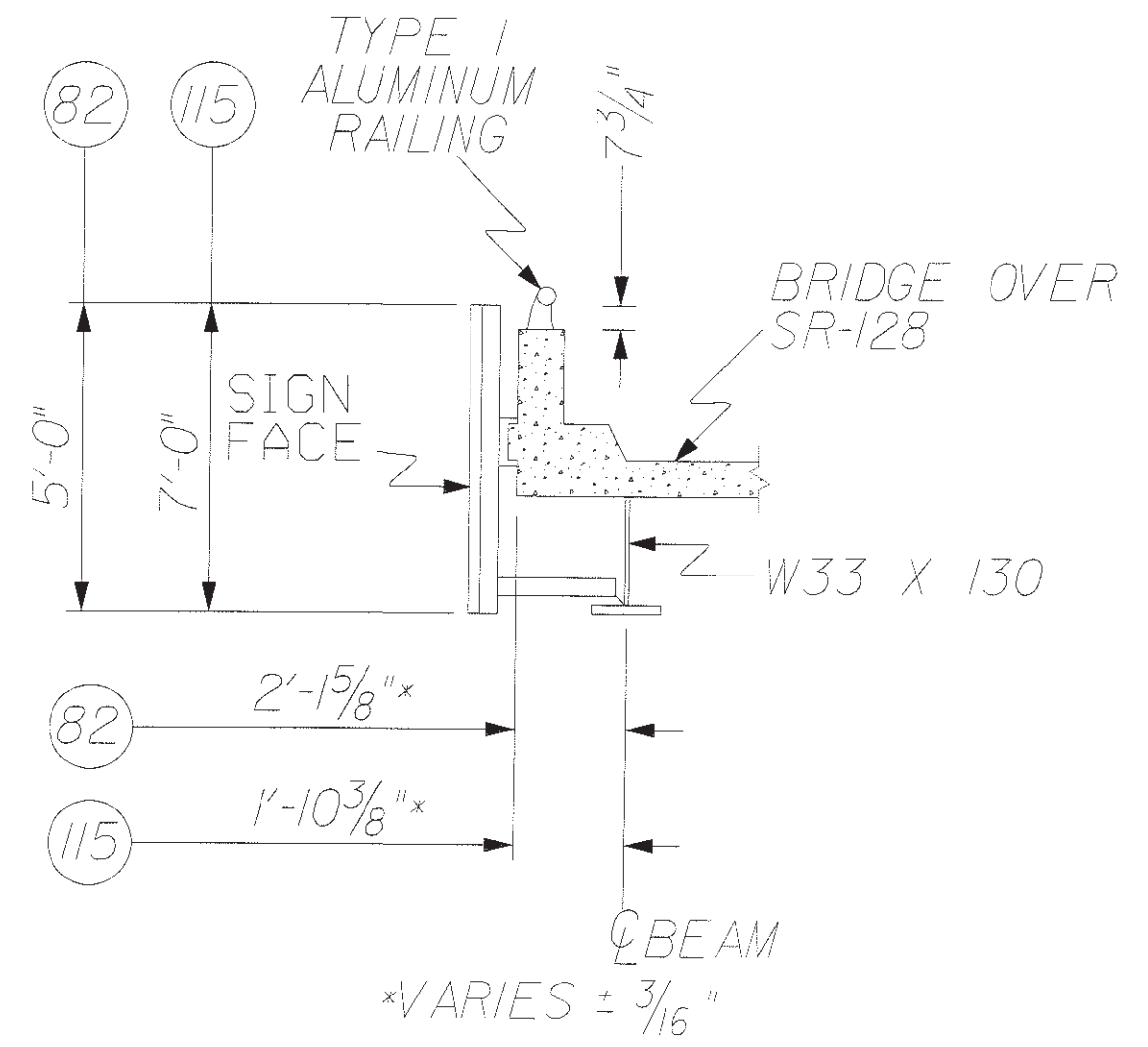
OVERHEAD SUPPORT TRAFFIC CONTROL ELEVATION VIEWS

BUT-4-0.00

264
276



SIGN NO. 82
 SLM 1.590 S.R.128
 (LOOKING NORTH)
 10' X 5' = 50 SQ.FT.
 NO. OF BR. = 2 HT. = 5'-0"
 TYPE = "Z" BAR

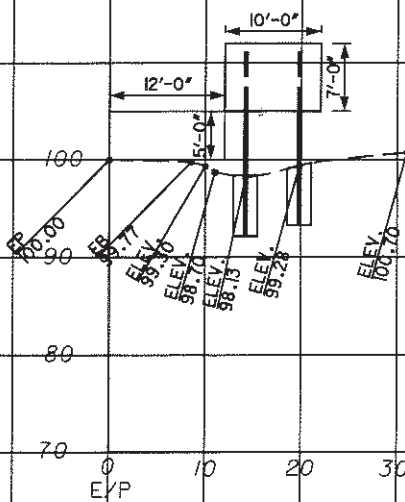


SIGN NO. 115
 SLM 1.645 S.R.128
 (LOOKING SOUTH)
 9' X 7' = 63 SQ.FT.
 NO. OF BR. = 2 HT. = 7'-0"
 TYPE = "Z" BAR

I:\pl\tarnold\Traffic Maintenance\utflis.dgn 01-DEC-2003 9:53AM tarnold

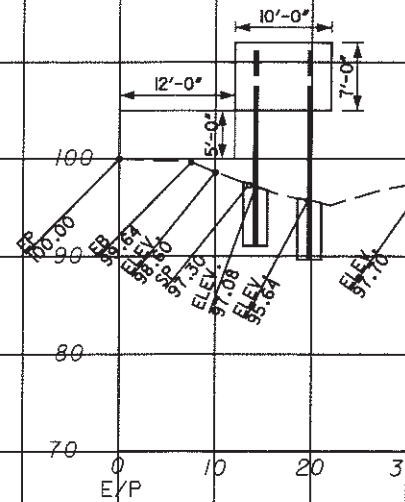
SEEDING
END SQ.
WIDTH YDS.

END AREA VOLUME
CUT FILL CUT FILL
CALCULATED CHECKED



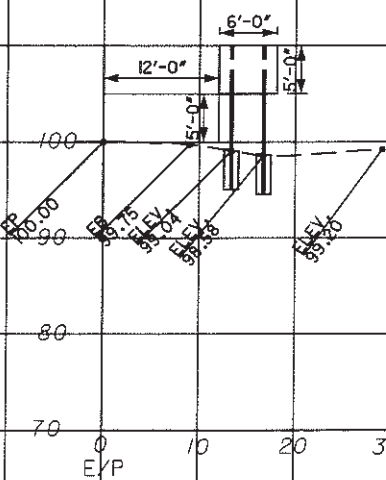
BEAM SIZE: W10 X 12
LENGTH: 19.62' LEFT, 18.47' RIGHT

SIGN #324
SLM 15.577
SR 4 & 63



BEAM SIZE: W10 X 12
LENGTH: 20.67' LEFT, 22.11' RIGHT

SIGN #328
SLM 15.898
SR 4 & 63



BEAM SIZE: S4 X 7.7
LENGTH: 14.71' LEFT, 15.71' RIGHT

SIGN #325
SLM 15.741
SR 4 & 63

SIGN ELEVATIONS

BUT-4-0.00

265
270

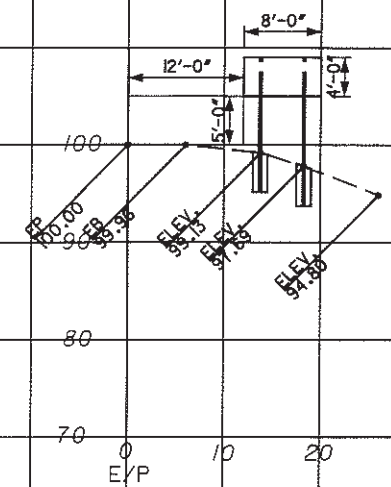
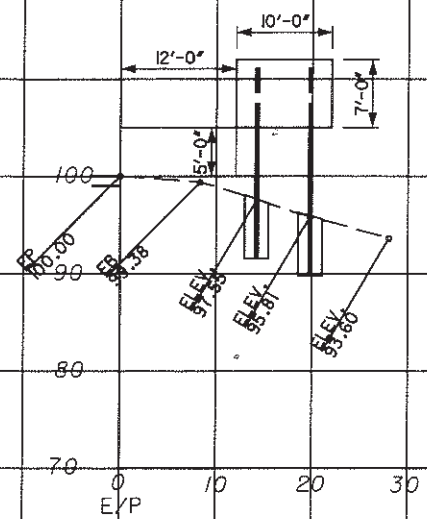
I:\p\tarnold\Traffic Maintenance\BUT sign elevations.dgn 14-NOV-2003 8:08AM tarnold

SHEET TOTAL

SHEET TOTAL

SEEDING
END SQ.
WIDTH YDS.

END AREA VOLUME
CUT FILL CUT FILL
CALCULATED CHECKED

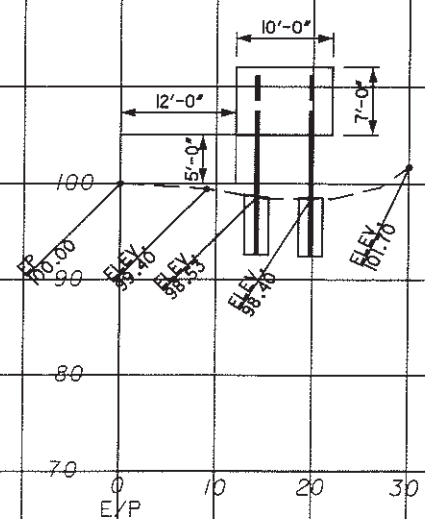
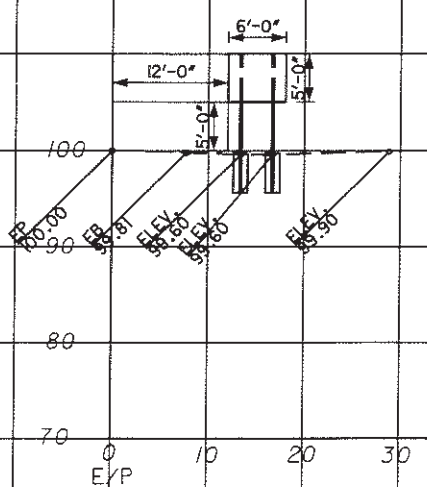


BEAM SIZE: W10 X 12
LENGTH: 20.20' LEFT, 21.94' RIGHT

BEAM SIZE: S4 X 7.7
LENGTH: 13.62' LEFT, 15.06' RIGHT

SIGN #388
SLM 0.000
SR 4 & 73

SIGN #392
SLM 0.280
SR 4 & 73



BEAM SIZE: S4 X 7.7
LENGTH: 14.15' LEFT, 14.15' RIGHT

BEAM SIZE: W10 X 12
LENGTH: 19.22' LEFT, 19.35' RIGHT

SIGN #389
SLM 0.109
SR 4 & 73

SIGN #377
SLM 0.284
SR 4 & 73

SHEET TOTAL

SHEET TOTAL

I:\tarnold\Traffic Maintenance\BUT sign elevations.dgn 14-NOV-2003 7:59AM tarnold

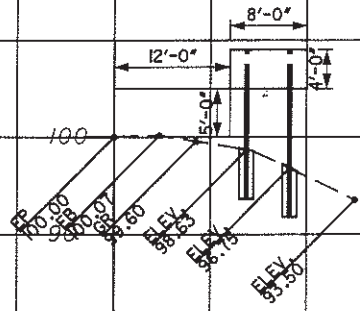
SIGN ELEVATIONS

BUT -4-0.00

266
270

SEEDING	
END WIDTH	SQ. YDS.

END AREA		VOLUME	
CUT	FILL	CUT	FILL



BEAM SIZE: W6 X 9
 LENGTH: 15.12' LEFT, 17.00' RIGHT
 SIGN #380
 SLM 0.538
 SR 4 & 73

I:\p\tarnold\Traffic Maintenance\BUT sign elevations.dgn 14-NOV-2003 8:00AM Tarnold

SIGN ELEVATIONS

BUT - 4 - 0.00

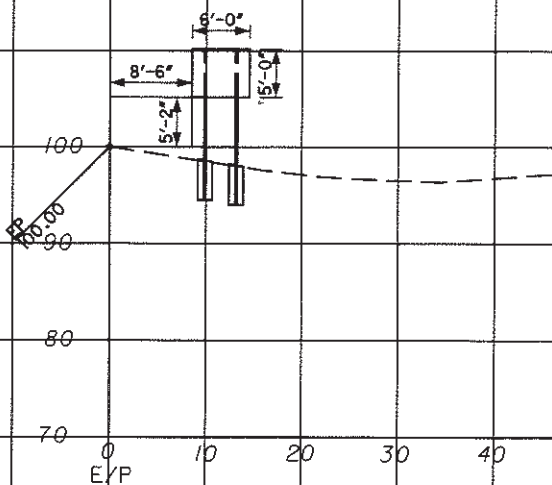
267
270

SHEET TOTAL

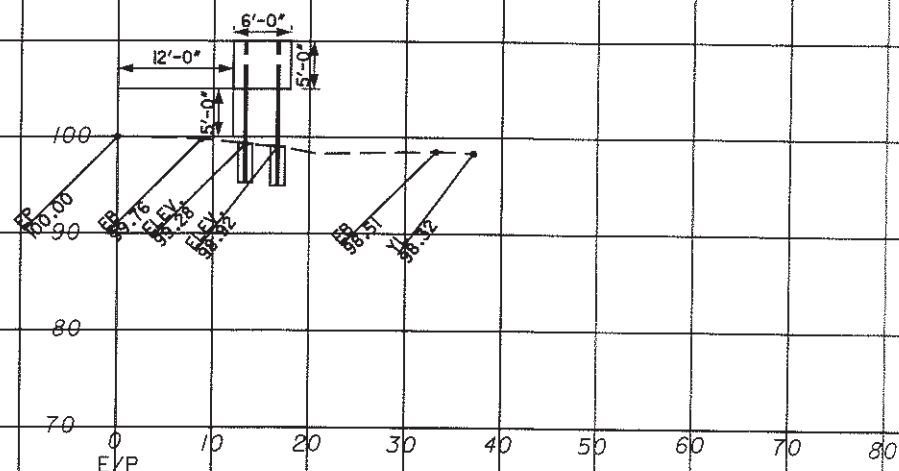
SHEET TOTAL

SEEDING
 END SO.
 WIDTH YDS.

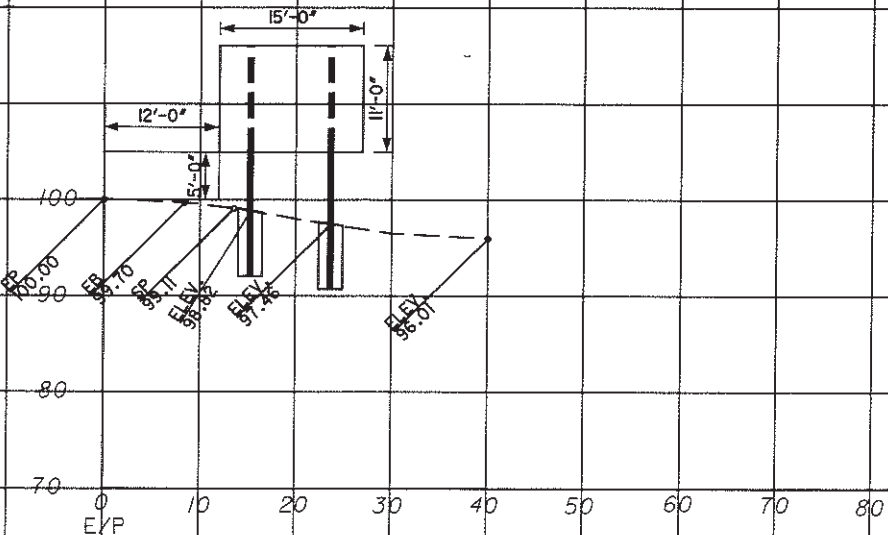
END AREA VOLUME
 CUT FILL CUT FILL
 CALCULATED CHECKED



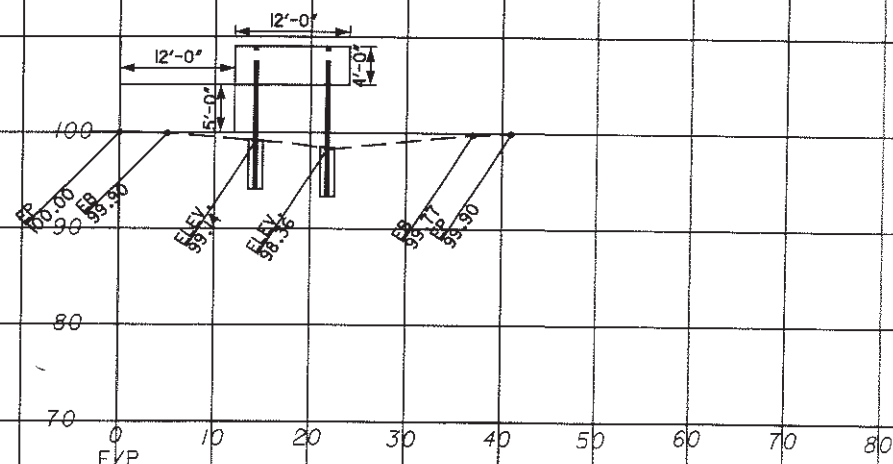
BEAM SIZE: S4 X 7.7
 LENGTH: 15.42' LEFT, 15.92' RIGHT
 SIGN #13
 SLM 0.018
 SR 128 & 27



BEAM SIZE: S4 X 7.7
 LENGTH: 14.47' LEFT, 4.83' RIGHT
 SIGN #1
 SLM 0.697
 SR 128 & 27



BEAM SIZE: W10 X 22
 LENGTH: 23.68' LEFT, 25.04' RIGHT
 SIGN #7
 SLM 0.528
 SR 128 & 27



BEAM SIZE: W6 X 9
 LENGTH: 14.61' LEFT, 15.39' RIGHT
 SIGN #12
 SLM 0.855
 SR 128 & 27

SIGN ELEVATIONS

BUT - 4 - 0.00

268
 270

I:\p\tarnold\Traffic Maintenance\BUT sign elevations.dgn 14-NOV-2003 8:03AM tarnold

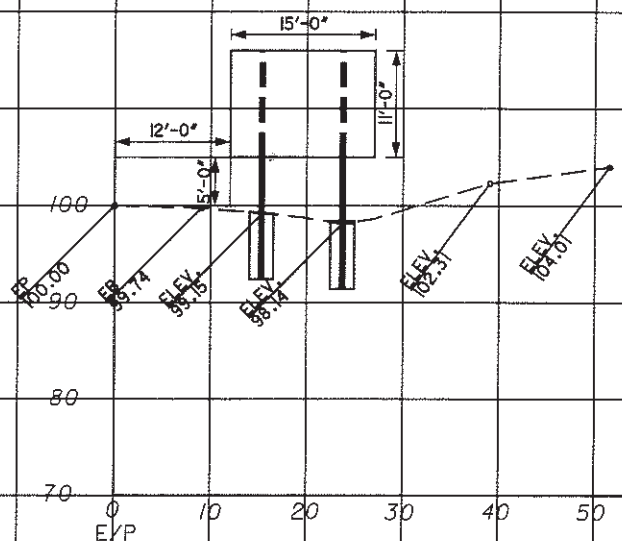
SHEET TOTAL

SHEET TOTAL

I:\p\Tarnold\Traffic Maintenance\BUT sign elevations.dgn 14-NOV-2003 8:05AM Tarnold

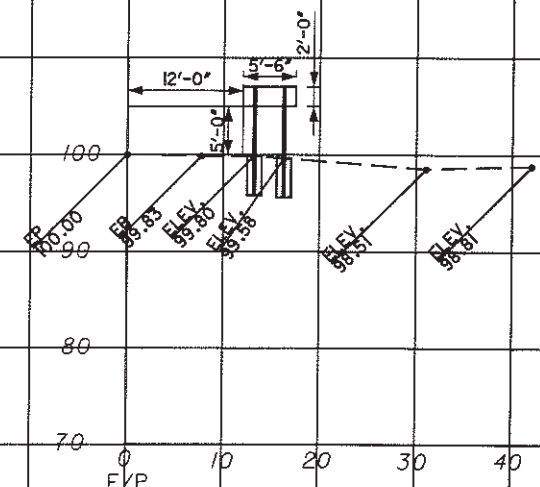
SEEDING	
END WIDTH	SQ. YDS.

END AREA		VOLUME	
CUT	FILL	CUT	FILL



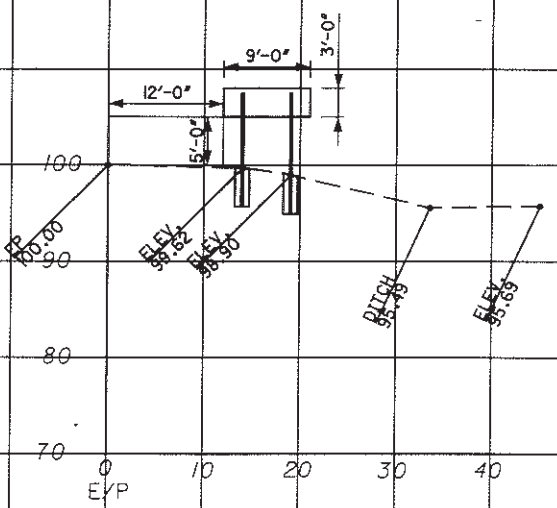
BEAM SIZE: W10 X 22
 LENGTH: 23.35' LEFT, 24.36' RIGHT

SIGN #23
 SLM 1.135
 SR 128 & 27



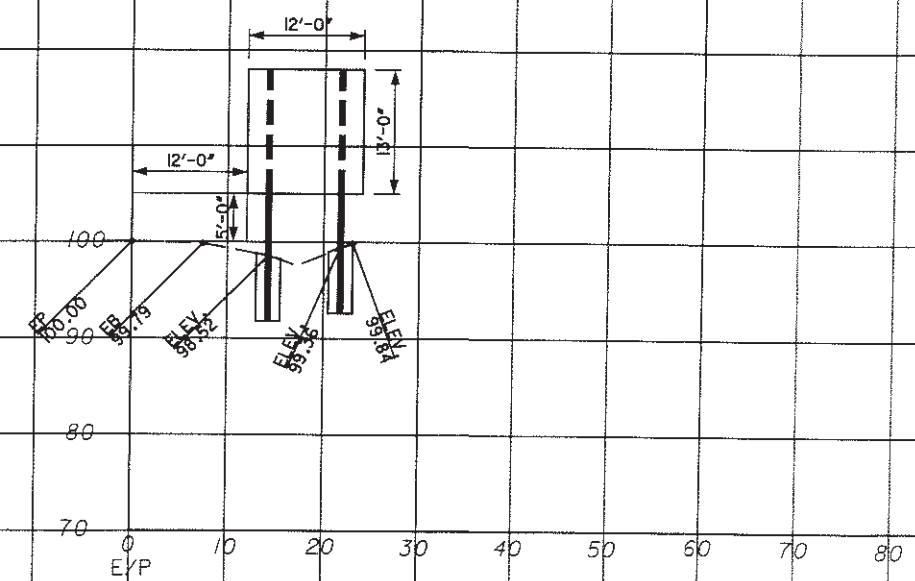
BEAM SIZE: S4 X 7.7
 LENGTH: 10.95' LEFT, 11.17' RIGHT

SIGN #113A
 SLM 1.645
 SR 128 & 27



BEAM SIZE: S4 X 7.7
 LENGTH: 12.13' LEFT, 12.85' RIGHT

SIGN #67
 SLM 1.452
 SR 128 & 27



BEAM SIZE: W10 X 22
 LENGTH: 25.97' LEFT, 25.14' RIGHT

SIGN #39
 SLM 1.732
 SR 128 & 27

SHEET TOTAL

SHEET TOTAL

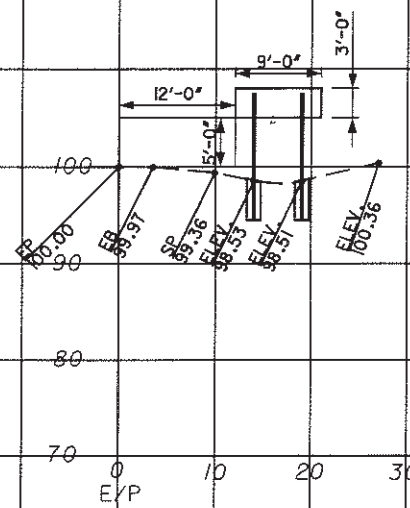
SIGN ELEVATIONS

BUT - 4 - 0.00

269
270

I:\p\tarnold\Traffic Maintenance\BUT_sign_elevations.dgn 14-NOV-2003 8:06AM tarnold

SEEDING
END SQ.
WIDTH YDS.



BEAM SIZE: S4 X 7.7
 LENGTH: 13.22' LEFT, 3.24' RIGHT

SIGN #107
 SLM 1.782
 SR 128 & 27

END AREA VOLUME
 CUT FILL CUT FILL

CALCULATED
 CHECKED

SIGN ELEVATIONS

BUT - 4 - 0.00

270
 270

SHEET TOTAL

SHEET TOTAL