

REFERENCE SHALL BE MADE TO STANDARD DRAWINGS			
AS-1-81	DATED 11-27-81	VPF-1-90	DATED 2-1-92
EXJ-4-87	DATED 1-20-94	HL-30.31	DATED 5-1-87
BR-2-82	DATED 11-1-82	SD-1-69	DATED 6-12-69
GR-3.1	DATED 5-6-91	RB-1-55	DATED 2-2-59

DESIGN SPECIFICATIONS: THE REPAIRS TO THE STRUCTURES SHALL CONFORM TO "STANDARD SPECIFICATIONS FOR HIGHWAYS BRIDGES" ADOPTED BY THE AMERICAN ASSOCIATION OF STATE HIGHWAY AND TRANSPORTATION OFFICIALS, 1989 AND THE OHIO "SUPPLEMENT" TO THESE SPECIFICATIONS.

**DESIGN DATA**

- CONCRETE CLASS S - COMPRESSIVE STRENGTH 4500 P.S.I.
- CONCRETE CLASS C - COMPRESSIVE STRENGTH 4000 P.S.I.
- REINFORCING STEEL - ASTM A615, A616 OR A617 - GRADE 60 MIN. YIELD STRENGTH 60,000 P.S.I., EPOXY COATED.
- STRUCTURAL STEEL - ASTM A36 - UNIT STRESS 20,000 P.S.I.

EXISTING STRUCTURE VERIFICATION: THE DETAILS SHOWN IN THESE PLANS ARE BASED ON DIMENSIONS OBTAINED FROM EXISTING DRAWINGS OF THE STRUCTURE AND/OR FIELD OBSERVATIONS. CONSEQUENTLY, THE DIMENSIONS AND DETAILS WITHIN THESE PROPOSED DRAWINGS SHALL BE CONSIDERED TENTATIVE AND APPROXIMATE. THE CONTRACTOR SHALL REFER TO CMS SECTIONS 102.05, 105.02, AND 513.02.

CONTRACT BID PRICES SHALL BE BASED UPON WORK PROPOSED IN THE ATTACHED DRAWINGS AND A PREBID EXAMINATION OF THE EXISTING STRUCTURE BY THE CONTRACTOR. THE PRICE BID SHALL ALSO REFLECT THE UNCERTAINTIES DESCRIBED ABOVE AS ALL PROJECT WORK WILL BE BASED UPON DETAILS AND DIMENSIONS VERIFIED IN THE FIELD BY THE CONTRACTOR.

EXISTING BRIDGE PLANS: EXISTING BRIDGE PLANS MAY BE INSPECTED AT THE BUREAU OF BRIDGES AND STRUCTURAL DESIGN IN COLUMBUS, OHIO, OR IN THE DISTRICT 8 OFFICE IN LEBANON, OHIO.

EXISTING REINFORCING STEEL: AT LOCATIONS WHERE CONCRETE REMOVAL AND REPLACEMENT IS REQUIRED, THE EXISTING REINFORCING STEEL SHALL REMAIN. THE STEEL SHALL BE BENT AND TRIMMED TO MAINTAIN REQUIRED CLEARANCES. THE CONTRACTOR SHALL EXERCISE CAUTION TO INSURE THAT THOSE EXISTING REINFORCING BARS WHICH ARE TO BE INCORPORATED INTO THE NEW WORK ARE NOT DAMAGED DURING THE CONCRETE REMOVAL OPERATION. ANY REINFORCING BARS DAMAGED AS A RESULT OF THE CONTRACTOR'S OPERATION SHALL BE REPLACED OR REPAIRED BY THE CONTRACTOR AT HIS EXPENSE. EXISTING REINFORCING BARS LABELED UNUSABLE BY THE ENGINEER DUE TO CORROSION SHALL BE REPLACED WITH NEW STEEL. AN ALLOWANCE OF NEW REINFORCING STEEL HAS BEEN INCLUDED WITH THE STEEL QUANTITIES FOR THE REPLACEMENT OF CORRODED STEEL. HOWEVER, AT LOCATIONS WHERE ABUTMENT BACKWALLS ARE BEING REPLACED IT IS THE CONTRACTOR'S OPTION TO REMOVE EXISTING STEEL WITH THE REST OF THE BACKWALL AND DOWEL THE NEW BARS INTO THE WALL AS DETAILED.

UTILITY LINES: EXPENSES REQUIRED TO RELOCATE THOSE UTILITY LINES THAT INTERFERE WITH THE PROJECT SHALL BE BORNE BY THE OWNER(S). THE CONTRACTOR AND OWNER(S) ARE REQUESTED TO COORDINATE WORK SUCH THAT INCONVENIENCES TO EITHER WILL BE MINIMIZED.

ITEM SPECIAL, SEALING OF CONCRETE SURFACE (SEE PROPOSAL NOTE): THIS ITEM INCLUDES ALL WORK REQUIRED TO SEAL THOSE SURFACES SPECIFIED ON THE PLANS. SEE THE PROPOSAL NOTE FOR SURFACE PREPARATION REQUIREMENTS, MATERIAL REQUIREMENTS, APPLICATION RATES, AND APPLICATION PROCEDURES. THE PRICE BID FOR ITEM SPECIAL, SEALING OF CONCRETE SURFACE, OR ITEM SPECIAL, SEALING OF CONCRETE SURFACE (EPOXY), SHALL BE PER SQUARE YARD, AND SHALL INCLUDE ALL LABOR, MATERIALS, AND EQUIPMENT REQUIRED TO COMPLETE THE WORK.

ITEM 518, SCUPPER MODIFICATION: THIS ITEM INCLUDES ALL WORK NECESSARY TO RAISE THE TOP OF EXISTING SCUPPERS OR DRAIN INLETS TO MEET THE MICRO-SILICA MODIFIED CONCRETE OVERLAY. THIS WORK SHALL BE PERFORMED ACCORDING TO DETAIL 'B' FOR SCUPPERS OR DETAIL 'E' FOR DRAIN INLETS AS SHOWN ON GENERAL DETAIL SHEET 273/401. MEASUREMENTS TO DETERMINE DIMENSIONS, QUANTITY, AND SPACING OF THE STEEL BARS USED TO RAISE EACH SCUPPER OR DRAIN INLET SHALL BE MADE IN THE FIELD. THE PRICE BID FOR THIS ITEM SHALL BE PER EACH, AND SHALL INCLUDE ALL LABOR, MATERIALS, AND EQUIPMENT NECESSARY TO COMPLETE THIS WORK.

ITEM 517, RAILING FACED, AS PER PLAN: THIS ITEM INCLUDES ALL WORK NECESSARY TO RETROFIT THE EXISTING CURB AND PARAPET ON THE SUPERSTRUCTURES WITH THE BARRIER SHAPE. THE CONTRACTOR SHALL CAREFULLY REMOVE THE EXISTING ALUMINUM RAILING OR GUARDRAIL FROM THE BRIDGE AND DISCARD THEM. THE CONCRETE SAFETY CURB WHICH PROTRUDES ABOVE THE SCARIFIED DECK SHALL BE REMOVED. (COSTS TO REMOVE ITEMS SHALL BE INCLUDED IN ITEM 202, PORTIONS OF STRUCTURE REMOVED, FOR PAYMENT). THE CONTRACTOR SHALL MAINTAIN THE EXISTING CONDUIT SYSTEM WHERE APPLICABLE.

REINFORCING BARS SHALL BE GROUT ANCHORED AS STIPULATED IN SUPPLEMENTAL SPECIFICATIONS 852 AND 952 AT SPACINGS SHOWN ON THE DRAWINGS. THE HOLES SHALL BE THOROUGHLY CLEANED OF ALL DUST AND OTHER DELETERIOUS MATERIAL. SEE THE SUPPLEMENTAL SPECIFICATIONS FOR MATERIAL REQUIREMENTS AND FURTHER APPLICATION REQUIREMENTS. PAYMENT FOR GROUT ANCHORING SHALL BE INCLUDED IN ITEM 517, RAILING FACED, AS PER PLAN.

LOOSE AND UNSOUND CONCRETE IN THE AREA OF THE PARAPET TO BE FACED AND CONCRETE NEAR THE DECK EXTENSIONS SHALL BE REMOVED. ALL REMAINING SOUND CONCRETE TO BE COVERED WITH NEW CONCRETE SHALL BE MECHANICALLY SCARIFIED 1/4" DEEP. THE MINIMUM THICKNESS FOR THE PROPOSED FACING SHALL BE 5". THE CONCRETE SURFACES TO BE FACED SHALL BE THOROUGHLY DRENCHED WITH CLEAN WATER AND ALLOWED TO DRY TO A DAMP CONDITION JUST BEFORE PLACING THE CONCRETE.

ALL NEW REINFORCING STEEL SHALL BE EPOXY COATED AS PER ITEM 509. EPOXY COATED REINFORCING STEEL DAMAGED BY CUTTING, BENDING, ETC., SHALL BE REPAIRED AS PER ITEM 509. CONCRETE COVER OVER ALL RESTEEL SHALL BE 2". MINIMUM LAP REQUIRED FOR A #5 BAR IS 2'-0" AND FOR A #6 BAR IS 2'-6" UNLESS NOTED OTHERWISE. CONCRETE SHALL BE CLASS S AS PER ITEM 511. PAYMENT FOR CLASS S CONCRETE SHALL BE INCLUDED IN ITEM 517, RAILING FACED, AS PER PLAN. THE EXISTING DEFLECTION JOINTS SHALL BE EXTENDED COMPLETELY THROUGH THE PROPOSED FACING. THE JOINT SHALL BE MADE BY FORMING OR SAWCUTTING THE HARDENED CONCRETE THREE (3) DAYS AFTER PLACEMENT. THE 1/4" JOINTS SHALL BE SEALED 3/4" DEEP (MINIMUM) WITH AN IMPREGNATED PRECOMPRESSED EXPANDING FOAM SEALANT TAPE KNOWN AS WILL-SEAL, MANUFACTURED BY ILLBRUCK/USA INC., MINNEAPOLIS, MINNESOTA, OR A CLOSED CELL EXPANDED NEOPRENE KNOWN AS WILLIAMS NEOPRENE, MANUFACTURED BY WILLIAMS PRODUCTS INC., TROY, MICHIGAN.

ALL OF THE ABOVE WORK AND RELEVANT PLAN NOTES SHALL BE INCLUDED IN THE PRICE BID PER LINEAR FOOT FOR ITEM 517, RAILING FACED AS PER PLAN, EXCEPT THE FOLLOWING: CURB REMOVAL, PORTIONS OF DECK AND CONCRETE RAILING REMOVAL, AND REMOVAL OF ALUMINUM RAILING, SHALL BE INCLUDED IN THE LUMP SUM BID FOR ITEM 202, PORTIONS OF STRUCTURE REMOVED, FOR PAYMENT; REINFORCING STEEL COSTS SHALL BE PAID UNDER ITEM 509, EPOXY COATED REINFORCING STEEL, GRADE 60; SEALING OF SUPERSTRUCTURE PARAPETS SHALL BE INCLUDED IN PRICE BID FOR ITEM SPECIAL, SEALING OF CONCRETE SURFACE. (ALL ABUTMENT PARAPET WORK SHALL BE INCLUDED UNDER ITEM 511 CLASS "S" CONCRETE, MISC.: ABUTMENT PARAPETS).

ITEM 511, CLASS "S" CONCRETE, MISC.: ABUTMENT PARAPETS: THIS ITEM SHALL INCLUDE THE COST OF ALL MATERIALS, LABOR, AND EQUIPMENT NECESSARY TO REBUILD THE ABUTMENT PARAPETS AS DETAILED. THE REMOVAL OF ALUMINUM RAILING AND CURB OR PARAPET AS SHOWN ON THE PLANS SHALL BE INCLUDED UNDER ITEM 202, PORTIONS OF STRUCTURE REMOVED. USE ANCHORING SYSTEM SPECIFIED IN ITEM 517, RAILING FACED, AS PER PLAN. (DRILL DOWEL HOLES AND GROUT REINFORCING STEEL AS PER ITEM 517, ETC.) PLACE CLASS S CONCRETE AS PER ITEM 511. INSTALL ANCHOR ASSEMBLIES FOR GUARDRAILS (COST OF ANCHOR ASSEMBLIES TO BE INCLUDED WITH COST OF GUARDRAIL). MAINTAIN EXISTING CONDUIT SYSTEM AND INSTALL CONDUIT EXPANSION JOINT ASSEMBLIES, WHERE APPLICABLE, AS PER HL 30.31. ALSO, OTHER WORK SPECIFIED IN PLANS SHALL BE INCLUDED IN THIS ITEM FOR PAYMENT.

PAYMENT FOR THIS ITEM SHALL BE PER CUBIC YARD, ITEM 511, CLASS "S" CONCRETE, MISC.: ABUTMENT PARAPETS. REMOVAL ITEMS SHALL BE INCLUDED IN THE LUMP SUM BID FOR ITEM 202, PORTIONS OF STRUCTURE REMOVED, FOR PAYMENT. REINFORCING STEEL COSTS SHALL BE PAID UNDER ITEM 509, EPOXY COATED REINFORCING STEEL, GRADE 60. SEALING OF BACKWALL SHALL BE PAID FOR UNDER ITEM SPECIAL, SEALING OF CONCRETE SURFACE (EPOXY). SEALING OF ABUTMENT PARAPETS INCLUDED IN PRICE BID FOR ITEM SPECIAL, SEALING OF CONCRETE SURFACE. (WORK TO REPLACE ABUTMENT BACKWALLS IS INCLUDED IN OTHER ITEMS FOR PAYMENT, SEE PLANS).

ITEM 516, REFURBISH BEARING DEVICE: THIS ITEM SHALL INCLUDE ALL WORK NECESSARY TO: JACK AND TEMPORARILY SUPPORT THE EXISTING BRIDGES (SEE GENERAL JACKING REQUIREMENTS ON THIS SHEET); DISASSEMBLY OF THE EXISTING BEARINGS; HAND CLEANING GRINDING (IF NECESSARY), AND PAINTING AS REQUIRED BY PROPOSAL NOTE "FIELD PAINTING OF EXISTING STEEL, USING EPOXY AND URETHANE (EEU), (†); LUBRICATING SLIDING SURFACES USING FLAKED GRAPHITE; REPLACEMENT OF SAME SIZE AS THE BEARINGS, TO PROVIDE A SNUG FIT; REALIGNMENT OF THE UPPER BEARING PLATE BY REMOVING EXISTING WELDS BY THE AIR-ARC PROCESS AND REWELDING THE PLATE SO THAT THE BEARINGS ARE ALIGNED AT 60 DEGREES FAHRENHEIT; REASSEMBLY OF THE BEARINGS; AND REMOVAL OF THE JACKS. BEARINGS SUBJECT TO THIS TREATMENT ARE LABELED IN THE PLANS. AT THE OPTION OF THE CONTRACTOR AND AT NO ADDITIONAL COST TO THE STATE, NEW BEARINGS OF THE SAME TYPE AS THE EXISTING MAY BE INSTALLED IN PLACE OF THE REFURBISHED BEARINGS. ALL WORK SHALL BE TO THE SATISFACTION OF THE PROJECT ENGINEER. THE CONTRACTOR SHALL SUBMIT HIS METHOD FOR JACKING AND SUPPORTING THE BRIDGE FOR PRIOR APPROVAL. PAYMENT FOR THE LABOR AND MATERIALS DESCRIBED ABOVE SHALL BE MADE AT THE CONTRACT PRICE BID PER EACH, ITEM 516, REFURBISH BEARING DEVICE.

GENERAL JACKING REQUIREMENTS: THE FOLLOWING ARE REQUIREMENTS FOR JACKING EXISTING STRUCTURES WHICH APPLY TO ITEM 516, REFURBISH BEARING DEVICE, DETAILED PLANS OF THE JACKING PROCEDURES, INCLUDING METHODS OF PREVENTING HORIZONTAL MOVEMENT WHERE APPLICABLE, SHALL BE PREPARED BY A PROFESSIONAL ENGINEER AND SHALL BEAR THE ENGINEER'S SIGNATURE AND SEAL. THE CONTRACTOR SHALL SUBMIT THREE (3) COPIES OF THE PLANS AND TWO (2) COPIES OF DESIGN CALCULATIONS TO THE DIRECTOR FIFTEEN (15) DAYS PRIOR TO JACKING OPERATIONS. APPROVAL SHALL BE RECEIVED BEFORE JACKING OPERATIONS ARE STARTED.

ATTACHMENTS MADE BY WELDING TO ANY MAIN STRUCTURAL MEMBER SHALL BE APPROVED BY THE DIRECTOR BEFORE ATTACHMENTS ARE MADE. DETAILS OF THE ATTACHMENTS SHALL BE SUBMITTED FOR APPROVAL AS PART OF THE JACKING PROCEDURE PLANS OR INDEPENDENTLY BY A SIMILAR SUBMISSION.

JACKS ARE REQUIRED TO HAVE A CAPACITY TO SAFELY SUPPORT EACH ABUTMENT AND PIER SUPPORT. MINIMUM JACK CAPACITY IS LISTED ON THE GENERAL PLAN SHEET FOR EACH BRIDGE. JACKING AND/OR TEMPORARY SUPPORTS SHALL BE LIMITED TO ONE (1) SUBSTRUCTURE UNIT AT ANY GIVEN TIME AND ALL BEAMS AT A GIVEN SUBSTRUCTURE UNIT SHALL BE RAISED SIMULTANEOUSLY. THE ABOVE JACKING PROCEDURE MAY BE WAIVED IF THE ENTIRE SUPERSTRUCTURE IS RAISED UNIFORMLY AND SIMULTANEOUSLY. IN SUCH A CASE, FIXED BEARINGS SHALL BE DISASSEMBLED AND REASSEMBLED UNDER THE DIRECTION OF THE ENGINEER. SEPARATE PAYMENT WILL NOT BE MADE FOR WORK PERFORMED ON THE FIXED BEARINGS.

APPROVAL OF THE JACKING PLANS SHALL NOT RELIEVE THE CONTRACTOR OF RESPONSIBILITY FOR THE BEHAVIOR OF THE JACKING PROCEDURES PROPOSED. IT SHALL BE UNDERSTOOD THAT ALL JACKING OPERATIONS ARE TO BE DIRECTED BY A REGISTERED PROFESSIONAL ENGINEER. ALL JACKING OPERATIONS OF A PARTICULAR BRIDGE MUST BE COMPLETED BEFORE THE MICRO-SILICA MODIFIED CONCRETE OVERLAY IS PLACED ON SAID BRIDGE.

SEE ADDITIONAL GENERAL JACKING REQUIREMENTS ON SHEET 272A.

ITEM 516, PREFORMED ELASTOMERIC COMPRESSION JOINT SEAL (705.11): THIS ITEM SHALL INCLUDE ALL LABOR, MATERIALS, AND EQUIPMENT NECESSARY TO COMPLETE THE JOINT IN PLACE INCLUDING THE SAWED JOINT. MEASUREMENT FOR PAY PURPOSES SHALL BE BASED ON THE SEALED LENGTH OF JOINTS MEASURED HORIZONTALLY ALONG THE JOINT CENTERLINES AND SHALL BE PER LINEAR FOOT.

ITEM 518, STRUCTURE DRAINAGE, MISC.: MODIFY DRAINAGE PIPING: THE EXISTING DRAINAGE PIPING SHOWN WAS OBTAINED FROM CONSTRUCTION PLANS AND FIELD INVESTIGATIONS. THE INTENT OF THE PROPOSED DRAINAGE MODIFICATIONS IS TO IMPROVE THE FLOW CHARACTERISTICS OF THE EXISTING DRAINAGE SYSTEM. THIS IS PRIMARILY ACHIEVED BY REPLACING 90 DEGREE ELBOWS AND CLEANOUTS WITH OBTUSE ELBOWS THUS INCREASING THE SLOPE OF THE DRAINAGE PIPING. PROPOSED DRAINAGE MODIFICATIONS MAY BE VARIED, AS REQUIRED, TO MEET EXISTING CONDITIONS. CONTRACTOR SHALL NOT CLIP ANY PART OF THE STEEL BEAMS OR GIRDERS IN THE MODIFICATION OF PIPING. REALIGNMENT OF PIPING TO CLEAR BEAMS OR GIRDERS SHALL BE ACHIEVED USING ELBOWS AS INDICATED ON THE DRAINAGE MODIFICATION PLANS. NEW HANGERS SHALL BE FURNISHED AND INSTALLED BY THE CONTRACTOR TO ACHIEVE THE MAXIMUM SLOPE INCREASE THAT EXISTING CROSS BRACING WILL PERMIT. DRAINAGE PIPING SHALL BE GALVANIZED STEEL, 707.08, AND OF THE SAME SIZE AS THE PIPE BEING REPLACED. THE PIPE SHALL BE SECURELY FASTENED WITH HANGER AND/OR CLAMP ASSEMBLIES TO THE STRUCTURE. CONTRACTOR SHALL UTILIZE EXISTING SUPPORTS WHERE POSSIBLE. THE NUMBER OF PIPE SUPPORTS SHALL NOT BE LESS THAN USED IN THE EXISTING SYSTEM UNLESS APPROVED BY THE ENGINEER. FIELD WELDING TO THE EXISTING GIRDERS OR STEEL BEAMS WILL NOT BE PERMITTED WITHOUT THE PRIOR WRITTEN APPROVAL OF THE ENGINEER. CONNECTIONS TO STRUCTURAL CONCRETE SHALL BE MADE USING 5/8" DIAMETER THREADED RODS WITH NON-SHRINK EPOXY MORTAR PER SUPPLEMENTAL SPECIFICATION 852 AND 952 OR SELF DRILLING ANCHORS ITEM 712.01. PROVIDE A MINIMUM OF 8" EMBEDMENT FOR ANCHORS. PRIOR TO DRILLING FOR ANCHOR DOWEL HOLES, CONTRACTOR SHALL VERIFY THE REINFORCING BAR LOCATIONS TO AVOID THEIR DAMAGE. ANCHORS SHALL BE LOCATED A MINIMUM OF 6" FROM THE EDGES OF CONCRETE MEMBERS.

PROPOSED DRAINAGE PIPING AND SUPPORTS SHALL BE CLEANED AND PAINTED AS PER PROPOSAL NOTE "FIELD PAINTING OF EXISTING STEEL, USING EPOXY AND URETHANE (EEU)." GALVANIZED SURFACES SHALL BE TREATED PRIOR TO PAINTING AS RECOMMENDED BY THE PAINT MANUFACTURER. COLOR OF PAINT TO MATCH EXISTING.

PAYMENT SHALL BE MADE AT THE LUMP SUM PRICE FOR ITEM 518, STRUCTURE DRAINAGE, MISC.: MODIFY DRAINAGE PIPING. PRICE BID SHALL INCLUDE ALL LABOR, MATERIALS, AND OTHER COSTS REQUIRED, TO REMOVE AND DISPOSE OF EXISTING PIPE, MODIFY EXISTING PIPING AS SPECIFIED ABOVE AND DETAILED ON PLANS, AND DOING OTHER WORK INCIDENTAL THERETO.

ITEM SPECIAL, WATERPROOFING, MISC.: SEALING OF ASPHALT WEARING SURFACE: THIS ITEM INCLUDES ALL WORK REQUIRED TO SEAL THE EXISTING ASPHALT WEARING SURFACE ON THE SUPERSTRUCTURE. SEE FEDERAL SPECIFICATION R-P-355E, FOR MATERIAL INFORMATION. THE CONTRACTOR SHALL APPLY THREE APPLICATIONS OF SLURRY MADE WITH 5 TO 6 POUNDS OF CLEAN AND DRY SILICA SAND PER GALLON OF UNDILUTED COAL TAR PITCH. THE SILICA SAND SHALL HAVE AN AMERICAN FOUNDRY SOCIETY-GRAIN FINENESS RATING OF 50 TO 75 WITH THE FOLLOWING SIEVE ANALYSIS:

SIEVE	TOTAL PERCENT PASSING
No. 30	98 MIN.
No. 140	12 MAX.
No. 200	3 MAX.

SURFACE PREPARATION, APPLICATION RATES AND METHODS SHALL BE AS RECOMMENDED BY THE MANUFACTURER. THE PRICE BID FOR ITEM SPECIAL, WATERPROOFING, MISC.: SEALING ASPHALT WEARING SURFACE, SHALL BE PER SQUARE YARD, AND SHALL INCLUDE COSTS FOR ALL LABOR, MATERIALS AND EQUIPMENT REQUIRED TO COMPLETE THE WORK.

ITEM SPECIAL, EPOXY INJECTION (SEE PROPOSAL NOTE): THIS ITEM INCLUDES ALL WORK REQUIRED TO REPAIR CRACKS IN THE CONCRETE STRUCTURE. SEE THE PROPOSAL NOTE ENTITLED "CONCRETE REPAIR BY EPOXY INJECTION", FOR PROCEDURES AND MATERIAL INFORMATION. THE PRICE BID FOR ITEM SPECIAL, EPOXY INJECTION, SHALL BE PER LINEAL FOOT, AND SHALL INCLUDE COSTS FOR ALL LABOR, MATERIALS, AND EQUIPMENT REQUIRED TO COMPLETE THE WORK.

CUT LINE JOINT PREPARATION: SAW CUT BOUNDARIES OF PROPOSED CONCRETE REMOVALS 1" DEEP. REMOVE CONCRETE TO A ROUGH SURFACE. WHERE PRACTICABLE, AT LEAST 2'-0" LENGTH OF PROTRUDING REINFORCING STEEL SHALL BE LEFT IN PLACE. INSTALL DOWEL BARS AS SPECIFIED. PRIOR TO CONCRETE PLACEMENT, ABRASIVELY CLEAN JOINT SURFACE AND EXPOSED REINFORCEMENT TO REMOVE LOOSE AND DISINTEGRATED CONCRETE AND LOOSE RUST. THEN, THE JOINT SURFACE AND EXPOSED REINFORCEMENT SHALL BE THOROUGHLY CLEANED OF ALL DIRT, DUST, OR OTHER FOREIGN MATERIAL BY THE USE OF WATER, AIR UNDER PRESSURE, OR OTHER METHODS THAT PRODUCE SATISFACTORY RESULTS. CONCRETE BONDING SURFACES SHALL BE WET WITHOUT FREE WATER AS CONCRETE IS PLACED.

SUPERSTRUCTURE CONCRETE REMOVAL: CONCRETE REMOVAL SHALL BE BY MEANS OF APPROVED PNEUMATIC HAMMERS EMPLOYING POINTED AND BLUNT CHISEL TOOLS. HYDRAULIC HOE-RAM TYPE HAMMERS WILL NOT BE PERMITTED. THE WEIGHT OF THE HAMMER SHALL NOT BE MORE THAN 35 POUNDS FOR REMOVAL WITHIN 18 INCHES OF PORTIONS TO BE PRESERVED. OUTSIDE THE 18 INCH LIMIT, A HAMMER HEAVIER THAN 35 POUNDS, BUT NOT TO EXCEED 85 POUNDS, MAY BE USED AT THE APPROVAL OF THE ENGINEER. PNEUMATIC HAMMERS SHALL NOT BE PLACED IN DIRECT CONTACT WITH REINFORCING STEEL THAT IS TO BE RETAINED IN THE REBUILT STRUCTURE.

MICRO-SILICA MODIFIED CONCRETE OVERLAY: WHERE SOC IS SPECIFIED ON THESE DRAWINGS, IT IS INTENDED TO BE MICRO-SILICA MODIFIED CONCRETE.

DOWEL HOLES AS PER PLAN FOR CLASS C CONCRETE, ABUTMENT RECONSTRUCTION SHALL BE GROUT ANCHORED WITH EPOXY

SEALING OF CONCRETE SURFACES(PARAPETS). SEALING SHALL MEET THE REQUIREMENTS OF THE PROPOSAL NOTE EXCEPT THE COLOR SHALL BE WHITE.

† EXCEPT BRIDGES NUMBERED, HAM-71-0986, -0987, HAM-71-1063L, HAM-71-1063R, WHICH SHALL BE PAINTED WITH OZEU WITH THE REST OF THE BRIDGE.

**WOOLPERT CONSULTANTS**  
 409 E. MONUMENT AVENUE  
 DAYTON, OHIO 45402-1226  
 (513) 461-5660

**GENERAL NOTES**

BRIDGE NO. \_\_\_\_\_

HAMILTON COUNTY

DESIGNED	DRAWN	TRACED	CHECKED	REVIEWED	DATE	REVISED
L.A.T.M.	D.E.E.		M.A.A.	D.E.M.	11/94	

Last Plot: SEPT. 14, 1994 @ 11:07 AM  
 C:\VP1\6096-01\NOTES\Last Plot.dwg Plot by: RICH MAY 18, 1994 @ 4:53 PM



# BRIDGE GENERAL NOTES

## ITEM 516 - REFURBISH BEARING DEVICE, AS PER PLAN

THIS WORK SHALL INCLUDE ALL WORK NECESSARY TO: JACK AND TEMPORARILY SUPPORT THE EXISTING BRIDGE (SEE GENERAL JACKING REQUIREMENTS ON SHEET 272); DISASSEMBLY AND REMOVAL OF THE EXISTING BEARING; AND REPLACEMENT WITH NEW BEARING OF THE SAME SIZE AND TYPE AS THE EXISTING. THE CONTRACTOR SHALL VERIFY THE SIZE AND TYPE OF EXISTING BEARINGS PRIOR TO ORDERING MATERIALS FOR THE NEW BEARINGS. REFERENCE SHALL BE MADE TO STANDARD DRAWING RB-1-55 (2-2-59) AND TO THE DRAWINGS "SLOTTED-SHIM PLATE FOR SLIDING PLATE BEARINGS" AND "SHIM PLATE FOR ROCKER TYPE BEARINGS". \* THIS ITEM SHALL INCLUDE FURNISHING AND INSTALLING ALL SHIMS REQUIRED TO ACHIEVE PROPER BEARING AND PLACEMENT AS REQUIRED BY THE ENGINEER; REMOVAL OF THE UPPER BEARING PLATE BY REMOVING EXISTING WELDS BY AIR-ARC PROCESS AND REALIGNMENT AND REWELDING OF THE PLATE SO THAT THE BEARING IS ALIGNED AT 60 DEG. F; LUBRICATING SLIDING SURFACES USING FLAKED GRAPHITE; REASSEMBLING OF THE BEARING; REMOVAL OF JACKS; AND REALIGNMENT OF EXISTING CROSS-MEMBERS AS DIRECTED BY THE ENGINEER. PAYMENT SHALL INCLUDE ALL LABOR, EQUIPMENT AND MATERIAL NEEDED TO COMPLETE ALL WORK AS DESCRIBED ABOVE, AND WILL BE MADE AT THE CONTRACT BID UNIT PRICE PER EACH, ITEM 516, REFURBISH BEARING DEVICE, AS PER PLAN.

\*THE NEW BEARINGS SHALL BE SHOP PAINTED WITH COMPLETE SYSTEM OZEU PAINTING, MATCHING THE COLOR OF THE EXISTING BRIDGE.

### ADDITIONAL GENERAL JACKING REQUIREMENTS

BEFORE JACKING BEGINS, THE ENGINEER SHALL INSPECT ALL BEAM SEAT AREAS TO CHECK THE SOUNDNESS OF THE EXISTING CONCRETE. ALL AREAS FOUND TO BE UNSOUND SHALL BE REPAIRED BY THE CONTRACTOR; THESE AREAS WILL BE MEASURED AND PAID FOR UNDER ITEM 519 PATCHING CONCRETE STRUCTURES. SUBSEQUENT TO THE JACKING OPERATION, ANY EXISTING OR REPAIRED BEAM SEAT AREAS FOUND TO BE DAMAGED BY THE CONTRACTOR'S JACKING OPERATION SHALL BE REPAIRED BY THE CONTRACTOR AT NO ADDITIONAL COST TO THE PROJECT.

## ITEM 518 - STRUCTURE DRAINAGE, MISC.: SCUPPER AND DRAINAGE PIPE CLEANOUT

THIS WORK SHALL CONSIST OF REMOVING SEDIMENT AND DEBRIS FROM THE EXISTING SCUPPERS AND STRUCTURE DRAINAGE PIPES, AT LOCATIONS DESIGNATED BY THE ENGINEER, TO PROVIDE POSITIVE DRAINAGE FLOW THROUGH THE STRUCTURE DRAINAGE SYSTEM. ALL MATERIAL REMOVED FROM THE SCUPPERS AND PIPES SHALL BE DISPOSED OF AS PER 203.05. THE STRUCTURE DRAINAGE SYSTEM FOR EACH STRUCTURE SHALL BE CLEANED OUT TO THE SATISFACTION OF THE ENGINEER. PAYMENT FOR THIS ITEM SHALL INCLUDE ALL LABOR, EQUIPMENT, AND MATERIAL NEEDED TO COMPLETE THE WORK, AND WILL BE MADE AT THE LUMP SUM PRICE BID FOR EACH BRIDGE.

## ITEM 202 - WEARING COURSE REMOVED (ASPHALT), AS PER PLAN

THE ASPHALT WEARING COURSE REMOVAL SHALL BE A SEPARATE AND INDEPENDENT OPERATION FROM THE 1/4" DECK SCARIFICATION FOR THE MICRO-SILICA MODIFIED CONCRETE OVERLAY. ALL ASPHALT SHALL BE REMOVED FROM THE SURFACE OF THE BRIDGE DECK PRIOR TO SCARIFICATION. EXISTING RAISED PAVEMENT MARKERS SHALL BE REMOVED FOR STORAGE AND WILL BE INCLUDED FOR PAYMENT UNDER THE ROADWAY ITEM 202 RAISED PAVEMENT MARKERS REMOVED FOR STORAGE.

## ITEM 514 - FIELD PAINTING, MISC.: FIELD PAINTING EXISTING STEEL (EEU)

THIS ITEM SHALL INCLUDE ALL WORK TO PREPARE AND FIELD PAINT IN PLACE ALL STRUCTURAL STEEL WITHIN 6' ON EITHER SIDE OF AN EXPANSION JOINT, IN ACCORDANCE WITH THE PROPOSAL NOTE "FIELD PAINTING OF EXISTING STEEL USING EPOXY AND URETHANE (EEU)". THIS WORK SHALL INCLUDE PAINTING OF THE STEEL BEAMS, CROSS-FRAMES, EXISTING AND/OR REFURBISHED EXPANSION JOINTS, AND OTHER MISCELLANEOUS STEEL AS DIRECTED BY THE ENGINEER. THE COLOR OF THE NEW PAINT SHALL MATCH THE COLOR OF THE EXISTING BRIDGE. PAYMENT WILL BE MADE AT THE LUMP SUM BID PRICE FOR EACH BRIDGE AND SHALL INCLUDE ALL LABOR, EQUIPMENT, AND MATERIAL NEEDED TO COMPLETE THE WORK TO THE SATISFACTION OF THE ENGINEER.

## ITEM 516 - STRUCTURAL JOINT OR JOINT SEALER, MISC.: SEAL JOINT BETWEEN ABUTMENT AND CONCRETE SLOPE PROTECTION

THIS ITEM OF WORK PROVIDES FOR THE CLEANING OUT AND RESEALING OF THE EXISTING JOINTS BETWEEN THE BRIDGE ABUTMENT AND CONCRETE SLOPE PROTECTION. THE JOINTS SHALL BE CLEANED OF ALL DEBRIS AND VEGETATION. THE JOINT SHALL THEN BE FILLED WITH HOT-APPLIED CRACK AND JOINT SEALER AS PER 705.04. A FOAM BACKER ROD MAY BE PLACED PRIOR TO PLACEMENT OF THE JOINT SEALER. PAYMENT SHALL INCLUDE ALL LABOR, EQUIPMENT, AND MATERIAL NEEDED TO COMPLETE THE WORK TO THE SATISFACTION OF THE ENGINEER.

## ITEM 601 - SLOPE PROTECTION, MISC.: REPAIR CONCRETE SLOPE PROTECTION

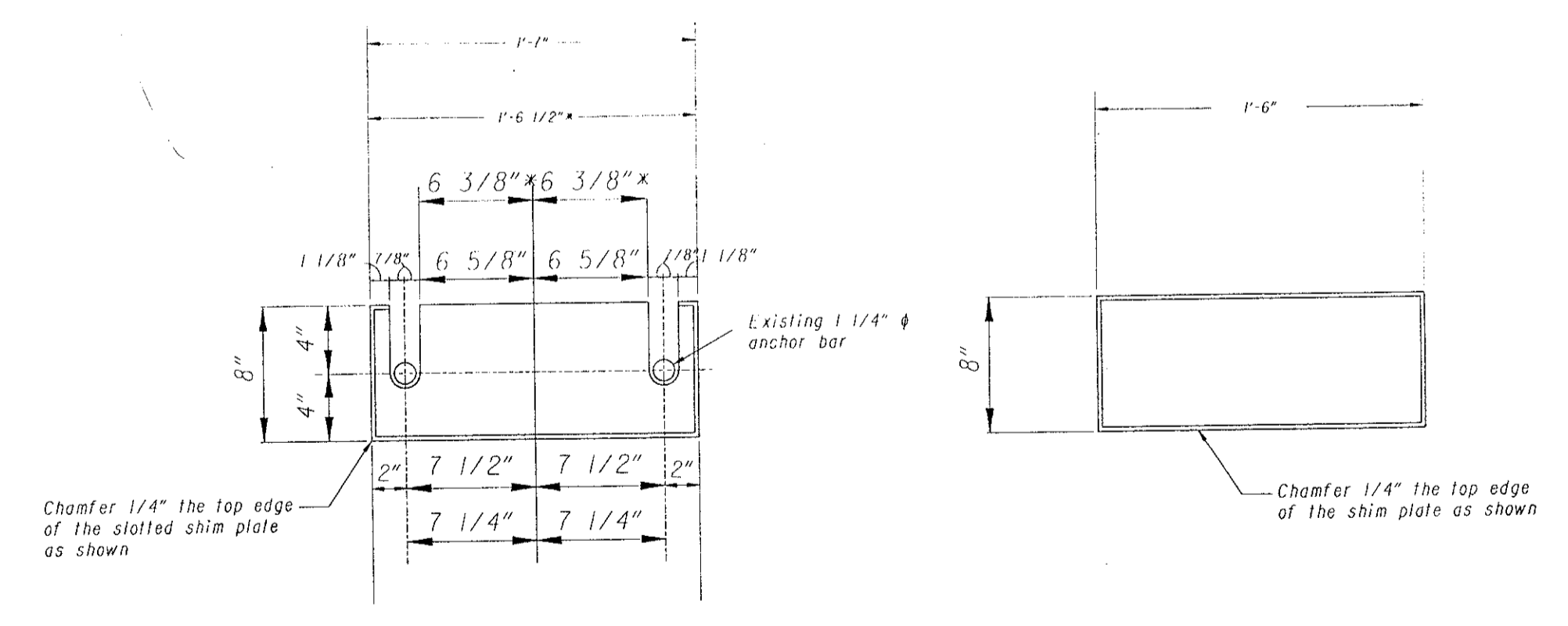
THIS ITEM PROVIDES FOR THE REPAIR OF THE EXISTING CONCRETE SLOPE PROTECTION IN AREAS WHERE THE EXISTING CONCRETE HAS BEEN WASHED OUT OR UNDERMINED. THE EXISTING CONCRETE SHALL BE REMOVED AS DIRECTED BY THE ENGINEER, THE VOID UNDERNEATH FILLED WITH GRANULAR BASE MATERIAL, AND THE CONCRETE REPLACED WITH CLASS C CONCRETE. ALL WORK SHALL CONFORM TO ITEM 601. LOCATIONS WHERE THIS WORK IS TO BE PERFORMED SHALL BE DETERMINED BY THE ENGINEER. PAYMENT SHALL INCLUDE ALL LABOR, EQUIPMENT, AND MATERIAL NEEDED TO COMPLETE THE WORK, AND SHALL BE MADE AT THE BID UNIT PRICE PER SQUARE YARD.

## ITEM 516 - STRUCTURAL JOINT OR JOINT SEALER, MISC.: 2" X 4" SEALER, AS PER PLAN

IN ADDITION TO LOCATIONS SHOWN ON THE PLANS, THIS ITEM SHALL BE USED AT OTHER LOCATIONS AS DIRECTED BY THE ENGINEER TO SEAL THE EXISTING VERTICAL JOINT BETWEEN THE ABUTMENT AND WINGWALL. THE SEALS SHALL BE FURNISHED AND THE WORK PERFORMED AS PER THE DETAILS SHOWN ON SHEET 277 OF THE PLANS. THIS ITEM SHALL ALSO INCLUDE ANY TRIMMING OF THE EXISTING CONCRETE NEEDED IN ORDER TO PROPERLY SEAL THE JOINT.

ITEM 516 - REFURBISH BEARING DEVICE, AS PER PLAN		
BEAM DESIGNATIONS LEFT TO RIGHT FACING UP STATION		QUANTITY
HAM-71-0154	FORWARD ABUT., BEAMS 4,5,6,7	4
HAM-22-0145	REAR ABUT., BEAM 6	1
HAM-42-0264 R	FORWARD ABUT., BEAMS 1,2,3,4,5	5
HAM-71-0243 L	REAR ABUT., BEAMS 1,2,3,4,5,6	6
HAM-71-0243 R	REAR ABUT., BEAMS 5,6,7,8,11,12 PIER 4 REAR, BEAM 7 PIER 4 FORWARD, BEAMS 4,5,6,7,8,9,10,11	15
HAM-71-1063 R	FORWARD ABUT., BEAM 11	1
TOTAL:		32 EACH

TOTAL CARRIED TO GENERAL SUMMARY



Cast of providing shim plates and welding to be included with Item 516 Refurbish Bearing Devices, As Per Plan, for payment.

Cast of providing shim plates and welding to be included with Item 516 Refurbish Bearing Devices, As Per Plan, for payment.

**SLOTTED SHIM PLATE**  
(For Sliding Plate Bearings)

**SHIM PLATE**  
(For Rocker Type Bearings)

- Notes:
1. Weld the slotted shim plate to the existing bearing base plate with 1/4" fillet weld where chamfered.
  2. Shim plates shall not exceed 3/4" in thickness.  
\* Shim plate dimensions for Bridge No. WAR-75-1002 only.
  3. For placement or replacement of anchor bars see Anchor Bar Detail below this sheet.

- Notes:
1. Weld the slotted shim plate to the existing bearing base plate with 1/4" fillet weld where chamfered.



# BRIDGE GENERAL NOTES

## MECHANICAL CONNECTORS FOR REINFORCING STEEL

AT ALL BRIDGE BACKWALL AND APPROACH SLAB LOCATIONS THAT ARE BEING CONSTRUCTED PART-WIDTH IN ORDER TO MAINTAIN TRAFFIC, THE CONTRACTOR SHALL FURNISH AND INSTALL MECHANICAL CONNECTORS OF THE PROPER SIZE FOR THE HORIZONTAL REINFORCING STEEL AT VERTICAL CONSTRUCTION JOINTS. THE CONNECTORS SHALL CONFORM TO 509.08 AND SHALL BE APPROVED BY THE ENGINEER. THE COST OF FURNISHING AND INSTALLING THE MECHANICAL CONNECTORS SHALL BE INCIDENTAL TO THE UNIT PRICE BID FOR ITEM 509 EPOXY COATED REINFORCING STEEL OR ITEM 611 REINFORCED CONCRETE APPROACH SLAB.

## ITEM 516 - STRUCTURAL EXPANSION JOINT INCLUDING ELASTOMERIC STRIP SEAL

THE CONTRACTOR SHALL VERIFY EXISTING JOINT LAYOUT, SIZES OF EXISTING STRUCTURAL MEMBERS AND PREPARE SHOP DRAWINGS SHOWING JOINT MODIFICATIONS, CURB PLATES, EXTENSIONS, LIMITS OF REMOVALS AND DETAILS OF NEW DECK, PARAPET, AND ABUTMENT CONSTRUCTION. SHOP DRAWINGS UNDER THIS ITEM MAY BE PREPARED AFTER FABRICATION IN ORDER TO SPEED CONSTRUCTION.

THE CONTRACTOR SHALL MAKE NECESSARY MEASUREMENTS AND PREPARE SKETCHES, DRAWINGS, TABLES, ETC. THE ENGINEER SHALL HAVE AUTHORITY AND RESPONSIBILITY FOR ENSURING THAT THE FABRICATED STEEL IS ACCEPTABLE. TECHNICAL ASSISTANCE WILL BE PROVIDED ON REQUEST BY THE BUREAU OF BRIDGES. MILL TEST REPORTS AND SHIPPING DOCUMENTS SHALL BE SUBMITTED TO THE ENGINEER FOR REVIEW AND APPROVAL PRIOR TO INCORPORATING STEEL ITEMS INTO THE WORK, AS REQUIRED BY 501.07. AFTER FABRICATION THE CONTRACTOR SHALL SUBMIT SHOP DRAWINGS TO THE ENGINEER FOR REVIEW AND APPROVAL TO ENSURE THAT THE DRAWINGS DEPICT THE STEEL AS ACTUALLY INCORPORATED INTO THE WORK. THE ENGINEER WILL THEN SEND ONE APPROVED SET TO THE BUREAU OF BRIDGES FOR INFORMATION. THE FABRICATOR SHALL FURNISH A 35 MILLIMETER MICROFILM COPY OF EACH SHOP DRAWING, WHICH SHALL BE MOUNTED ON AN APERTURE CARD AS SPECIFIED IN 501.05.

## CERAMIC GLAZED TILE AND MORTAR BASE

**Description.** This work shall consist of furnishing and installing ceramic vitreous glazed tile on the walls of the tunnel, with cement mortar base on the wall surfaces, at locations as directed by the Engineer, in order to replace missing wall tiles.

### Materials.

**Tile.** Tile shall be ceramic vitreous glazed wall tile of the sizes and shapes shown on the contract drawings. The quality of the tile shall be standard grade as defined in the United States Department of Commerce, Simplified Practice Recommendation R-61-61, entitled "Ceramic Tiles for Floors and Walls."

The tile shall have a nominal size of 4-1/4 inches square. The size of the tile shall not vary from the nominal size of 4-1/4 inches square by more than 3/64 inch. All tile shall be of a uniform thickness of not more than 9/16 inch nor less than 3/8 inch, including the projecting lugs or keys specified, and not less than 5/16 inch thick exclusive of said lugs or keys. They shall be graded for size into groups by the manufacturer for the Contractor, and each group shall be composed of one size tile varying not more than 1/32 inch. Each group of sizes shall be segregated and shipments shall be made in substantial quantities of lots of one size.

The tile shall have an approved cushion edge. The backs shall be free from glaze, glaze sheen or film. The edges shall be reasonably free from a glaze coating and shall not have drops or globules exceeding 1/64 inch in thickness. The body shall be free from concave warpage exceeding 0.2 percent of the diagonal of the square and shall be free from convex warpage exceeding 0.4 percent of the diagonal. They shall be free from wedging or crooked edges exceeding 0.7 percent, and from other imperfections such as pressing cracks, dents, swelling and chipping.

All tile shall have a semi-matte glaze finish on the face. The glazed surface shall be smooth, easily cleaned and free from all imperfections or injurious defects and free from all imperfections or injurious defects such as waviness, pinholes, specks, spots, blisters, feathering, crawling, crazing, chipping, scumming, discoloration or sanding to an extent which would affect the appearance of the tile.

The color of the tile shall approximate the color of the existing tiles, and shall meet with the approval of the Engineer.

Tiles shall be manufactured with projecting lugs or keys on the backs and with rough back surfaces, so as to furnish a satisfactory mechanical bond with the supporting mortar. The width of the lugs or keys on the back face of the lugs or keys shall be appreciably greater than the width at the base of said lugs or keys. The lugs or keys shall project not less than 3/32 inch beyond the back face of the body of the tile and shall be of such pattern as to avoid closed pockets by which air might be entrapped within the mortar backing. If tile is manufactured with projecting edge rims or borders on two or more adjacent sides, there shall be provided at least two slots on each side of the tile where the rims or borders occur, so as to avoid entrapment of air within the mortar backing. The slots shall be not less than 5/16 inch in width of the edge rims or borders and for the full depth of the edge rims or borders to the body of the tile. The pattern of the lugs or keys shall be subject to the approval of the Engineer.

**Mortar.** Portland cement for use in mortar shall conform to the requirements in 701.04 of the Construction and Material Specifications.

Sand for mortar shall be washed sand and shall be composed of hard, strong, durable grains free from soft or flaky particles, shale, loam, alkali, organic matter and other deleterious substances. It shall contain not more than three per cent of silt by weight as determined by decantation. Sand subjected to the calorimetric test for organic impurities and producing a color darker than the Reference Standard Color Solution, Method of Test for Organic Impurities in Sands for Concrete, A. A. S. H. O. Designation T 21 shall be rejected.

Sand shall be uniformly graded from coarse to fine within the following limits and in addition shall have a fineness modulus of not less than 1.90 nor more than 2.50:

	Total Per Cent by Weight
Passing No. 4 sieve	100
Passing No. 8 sieve	95 to 100
Passing No. 16 sieve	65 to 90
Passing No. 30 sieve	45 to 75
Passing No. 50 sieve	15 to 40
Passing No. 100 sieve	0 to 10

Lime paste shall be made with hydrated lime and water. The hydrated lime shall be soaked in water for at least three days before being used in mortar.

Hydrated lime shall conform to the requirements for Type N lime of the A. S. T. M. Standard Specifications, Serial Designation: C 207.

Water shall conform to the requirements of the Construction and Material Specifications 499.

Mortar proportions shall be as elsewhere herein specified for the various classes of masonry to be furnished and installed by the Contractor.

Cement and sand shall be thoroughly mixed dry; water and, where required, lime paste, shall then be added to produce a plastic homogeneous mortar. The mortar shall be freshly mixed for the work in hand in proper boxes made for that purpose, and no mortar shall be used that has stood beyond such limited time as may be determined by the Engineer. The re-tempering of mortar will not be permitted under any circumstances. No chemicals shall be mixed with the mortar to prevent deterioration during cold weather.

Mortar may be machine mixed. If so mixed, a rotary machine of a pattern approved by the Engineer and mixing only one batch at a time shall be used. The time of mixing each batch after the ingredients are in the mixer shall be determined by the Engineer for each type of machine. Cement and sand shall be measured and mixed dry with lime paste added, where lime paste is required, before being put into the machine.

**Installation of Wall Tile.** Immediately prior to the application of scratch coats for the installation of wall tile, the concrete surfaces of the walls which are to receive wall tile shall be thoroughly cleaned by water at nozzle pressure or by other methods satisfactory to the Engineer. After cleaning, the surfaces shall be dampened, but not saturated, with water and a neat cement wash shall be applied immediately before the placing of mortar. The neat cement wash shall be thoroughly brushed into the scores or scratches in the surface of the concrete.

Mortar for scratch coats shall be composed of one part of Portland cement and two and one-half parts of sand, by volume, to which may be added lime paste not exceeding fifteen per cent, by volume, of the cement. The amount of water to be added to obtain the proper consistency shall be determined by the Engineer at the beginning of the work, and no variation therefrom will be allowed, unless ordered by the Engineer.

The scratch coat shall be troweled to an even surface, parallel to and not more than three-eighths inch from the back surface of the body of the tile, exclusive of the lugs or keys. Where, due to irregularities in the concrete wall surface, the scratch coat requires a thickness of more than one-half inch, the scratch coat shall be built up in two or more coats; the initial coat shall have a maximum thickness of one-half inch and each subsequent coat shall have a maximum thickness of three-eighths inch. Wherever more than one scratch is necessary, the surface of each coat shall be scored before hardening and shall be dampened immediately before the application of the next coat. The surface irregularities of the final scratch coat shall not

exceed one-quarter inch in a length of ten feet. The final scratch coat, while still plastic, shall be deeply scored or scratched horizontally and diagonally with marks about one-half inch apart.

Mortar for the float coat shall be composed of one part of Portland cement and two and one-half parts of sand, by volume, to which may be added lime paste not exceeding twenty-five per cent, by volume, of the cement. The thickness of the float coat shall not exceed three-eighths inch. The interval between the placing of the final scratch coat and the float coat in any location shall be not less than twenty-four hours. The quantity of water shall be as approved by the Engineer.

Where necessary, the surface of the scratch coat shall be thoroughly cleaned before the application of the float coat. Before applying the float coat, the scratch coat shall be thoroughly moistened, but not saturated, and screeds or temporary guide strips shall be mortared to the scratch coat to indicate accurately the surface planes of the float coat. The float coat shall be rodded and floated to a true surface parallel to the finished surface of the wall. It shall be applied only in such quantities as can be covered with tile before the initial set of the mortar.

Immediately after placing the float coat, a skim coat of neat Portland cement not exceeding one-eighth inch in thickness shall be applied uniformly to the back of each tile so as to completely cover the tile and fill all space between lugs or keys and present an even plane surface. Each tile shall be firmly tapped into place and brought flush with adjacent units. Lines shall be kept straight and all finished surfaces shall be true. Broken, cracked, marred or other defective tiles shall be replaced before the mortar has set.

The Contractor shall do all field cutting and drilling required for the installation of the wall tile. All cutting shall preferably be done by power saws, and the edges shall be free from chipping and shall be smooth and straight. Hand cut tile shall be filed or ground smooth on the cut edges.

Approved spacing gauges or devices shall be used to obtain joints of a uniform width of approximately three-thirty-seconds inch. Joints shall be in straight lines parallel and perpendicular to the top of curbs.

Each graded size or lot of wall tile shall be erected in separate segregated groups or areas extending the full height of the wall tile. The size of tile in adjoining groups shall not vary by more than one-thirty-second inch.

Care shall be taken to maintain even, straight lines along the walls. Variations in wall heights due to overrun and underrun of the wall tile shall be taken care of in the widths of the joints.

After the mortar has hardened sufficiently to hold the wall tile in place, loose mortar shall be raked out and the faces of the glazed surfaces shall be thoroughly cleaned with water and well still moist, the joints between the tiles shall be grouted with a mixture of one part Portland cement and one part sand, using sufficient water to obtain a consistency of thick cream. The grout shall be forced into the joints by troweling or other approved methods and shall be finished straight and true. Special care shall be taken to prevent scratching of the glaze on the face of the tile. Prior to hardening, any excess grouting shall be washed off with a sponge and water, leaving all joints full, smooth and flush with the cushion edge of the tile. Remixing or use of grout that has partially hardened will not be permitted.

**General Provisions for Installation of Ceiling and Wall Tile.** No ceiling or wall tile shall be installed when the temperature where the installation is being made is below fifty degrees F. or likely to fall below fifty degrees F. All freshly laid sections of the tile shall be protected against injury.

As the work of setting the tile progresses, the Contractor shall remove all unused material and debris and shall give the tile work a thorough cleaning. Acid solution will not be allowed for cleaning tile surfaces. Before final payment, the Contractor shall remove and replace all imperfect, loosened and misplaced tile, and shall give the tile work a final cleaning. All traces of cement or dust accumulation shall be completely removed.

**Cement Mortar Bases.** Mortar for bases shall meet the requirements hereinbefore specified for scratch coats.

Concrete surfaces shall be clean and shall be set before applying mortar for bases. The mortar shall be applied in coats not exceeding five-eighths (5/8) inch in thickness. The first coat shall be scratched lightly and the second coat shall not be applied sooner than twenty-four hours after the first coat has been placed. Exposed surfaces of cement bases shall be given a smooth troweled surface free from marks and blemishes and shall make a smooth junction with the adjacent surfaces.

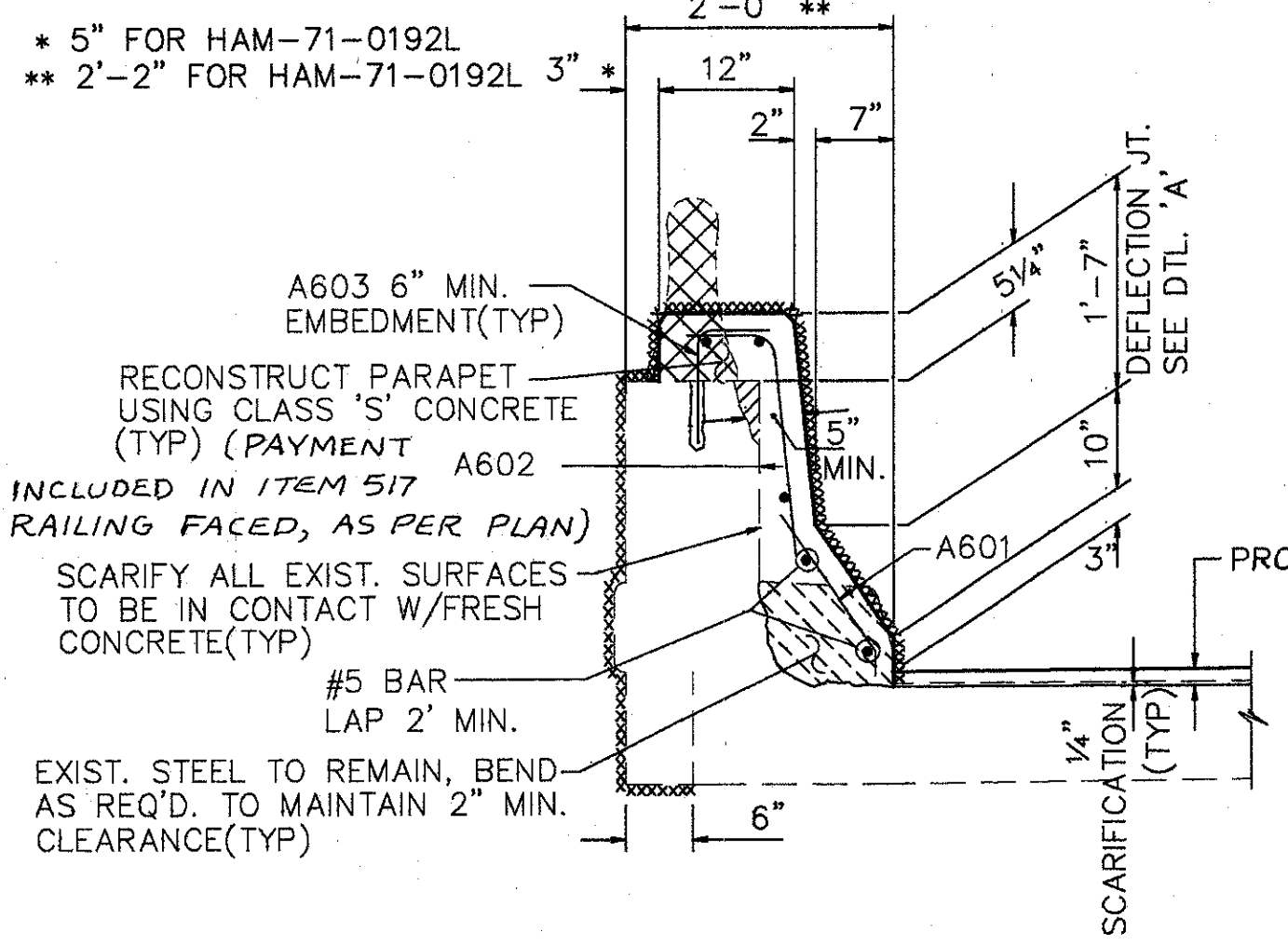
### Method of Measurement.

- (a) The areas of ceramic glazed wall tile to be paid for shall be determined by actual surface measurement of the number of square feet of exposed glazed surfaces of such tiles, complete in place and accepted, without deduction for the area of joints between the tiles.

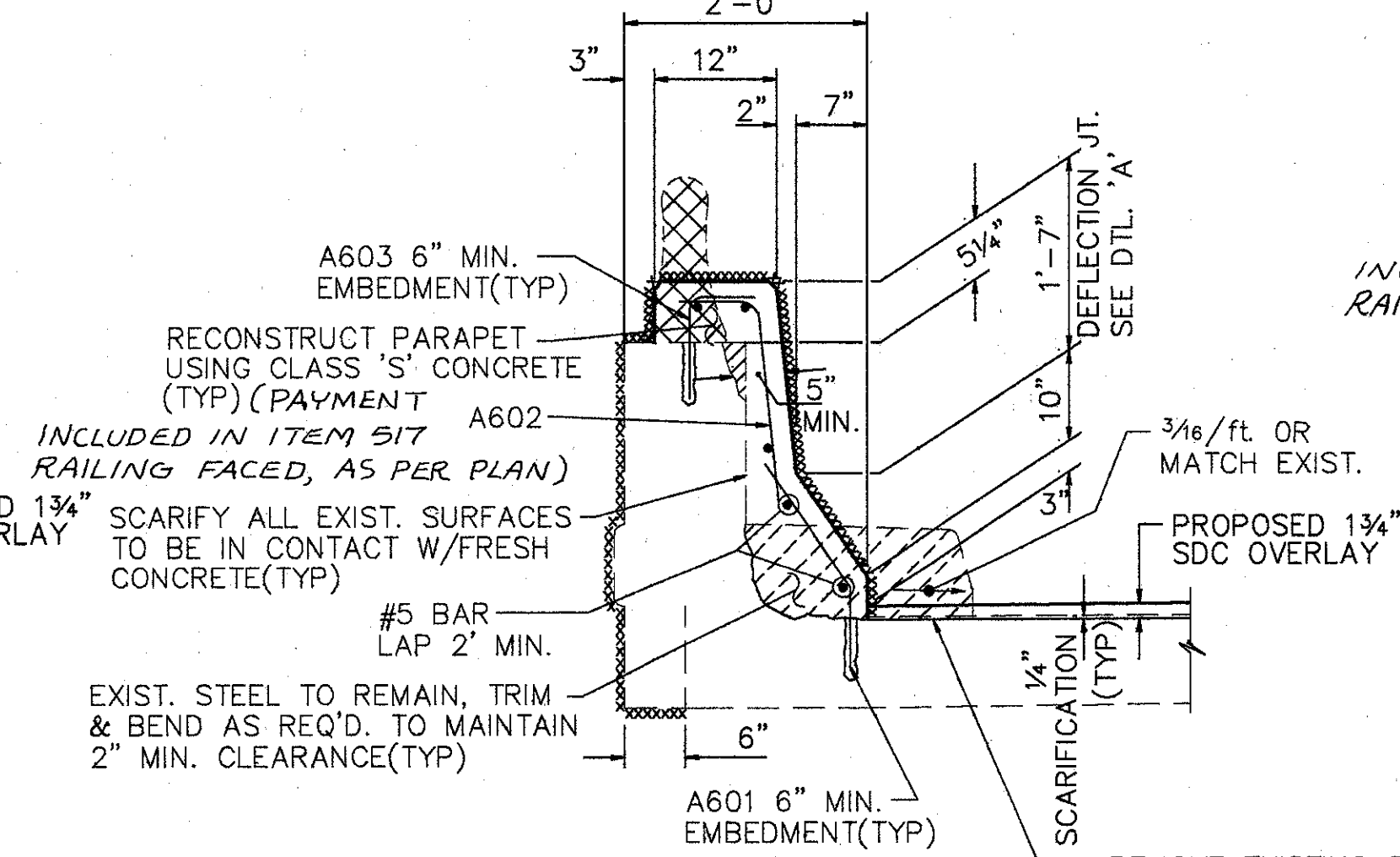
### Basis of Payment.

- (a) Payment for ceramic glazed wall tile furnished and installed by the Contractor will be made at the respective contract unit prices per square foot for the Item Special, "Ceramic Glazed Wall Tile".

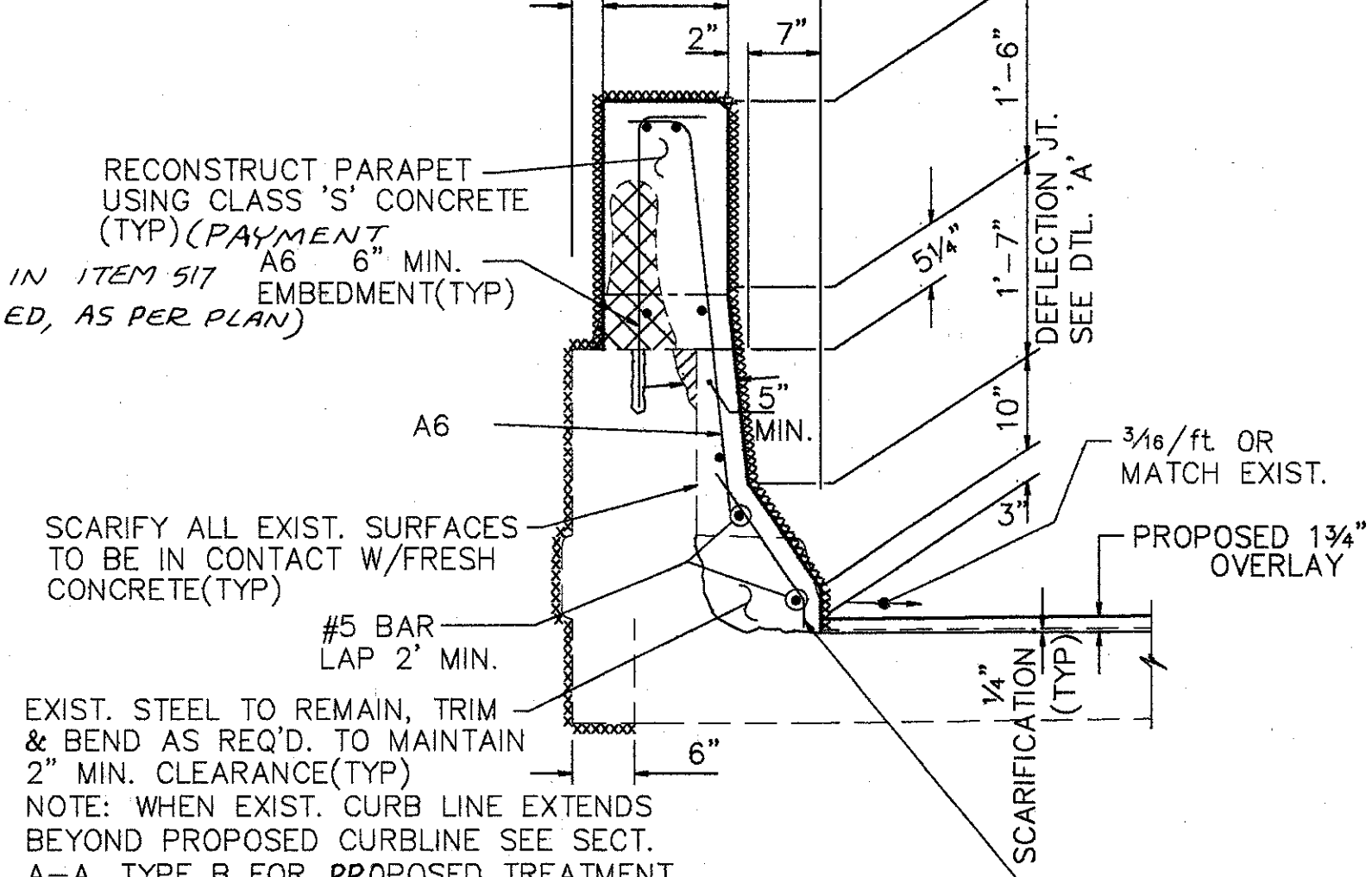




SECTION A-A TYPE A  
RAILING FACED AS PER PLAN (517)

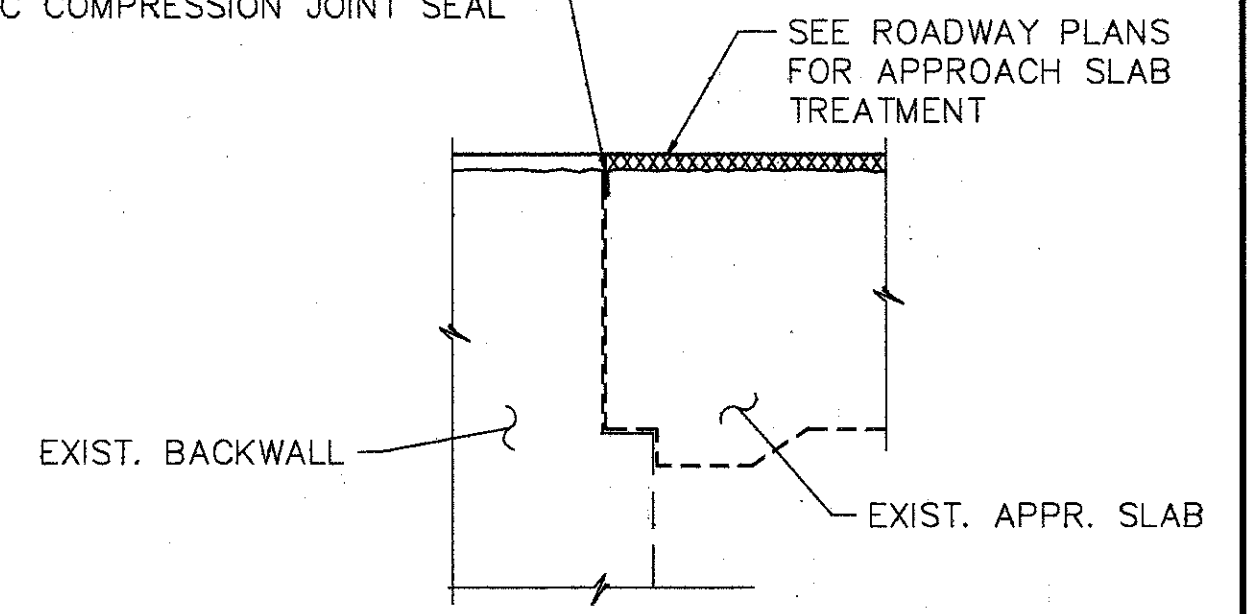


SECTION A-A TYPE B



SECTION A-A TYPE C

PREFORMED ELASTOMERIC JOINT SEALER - 705.11 (1/4" FOR 1/2" JT) PLACED IN 1/2"x2 1/2" SAWED GROOVE. PAYMENT TO BE BY ITEM 516, PREFORMED ELASTOMERIC COMPRESSION JOINT SEAL (705.11)

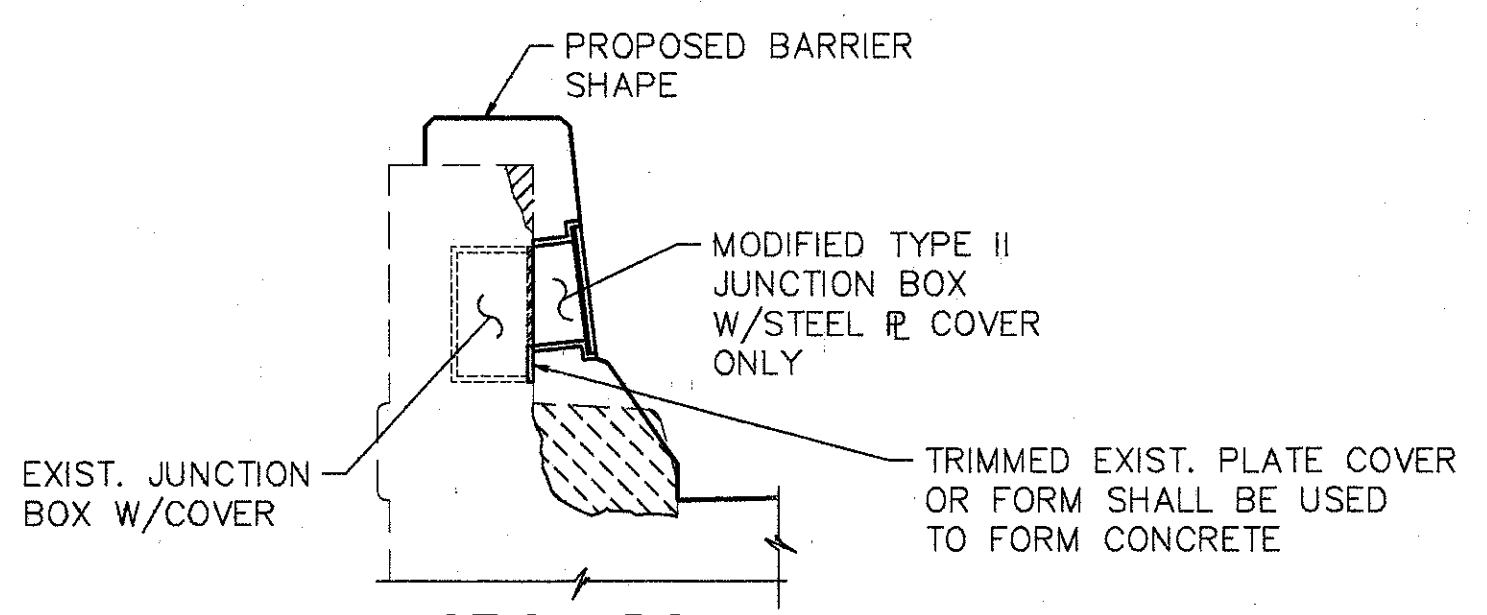


BACKWALL JOINT DETAIL

- XXXXX SURFACES TO BE SEALED UNDER ITEM SPECIAL, SEALING OF CONCRETE SURFACE.  
 [Hatched] EXISTING CURB TO BE REMOVED UNDER ITEM 202, PORTIONS OF STRUCTURE REMOVED.  
 [Cross-hatched] EXIST. RAILING & POSTS TO BE REMOVED & DISCARDED. ALL WORK SHALL BE INCLUDED IN THE PRICE BID FOR ITEM 202, PORTIONS OF STRUCTURE REMOVED.

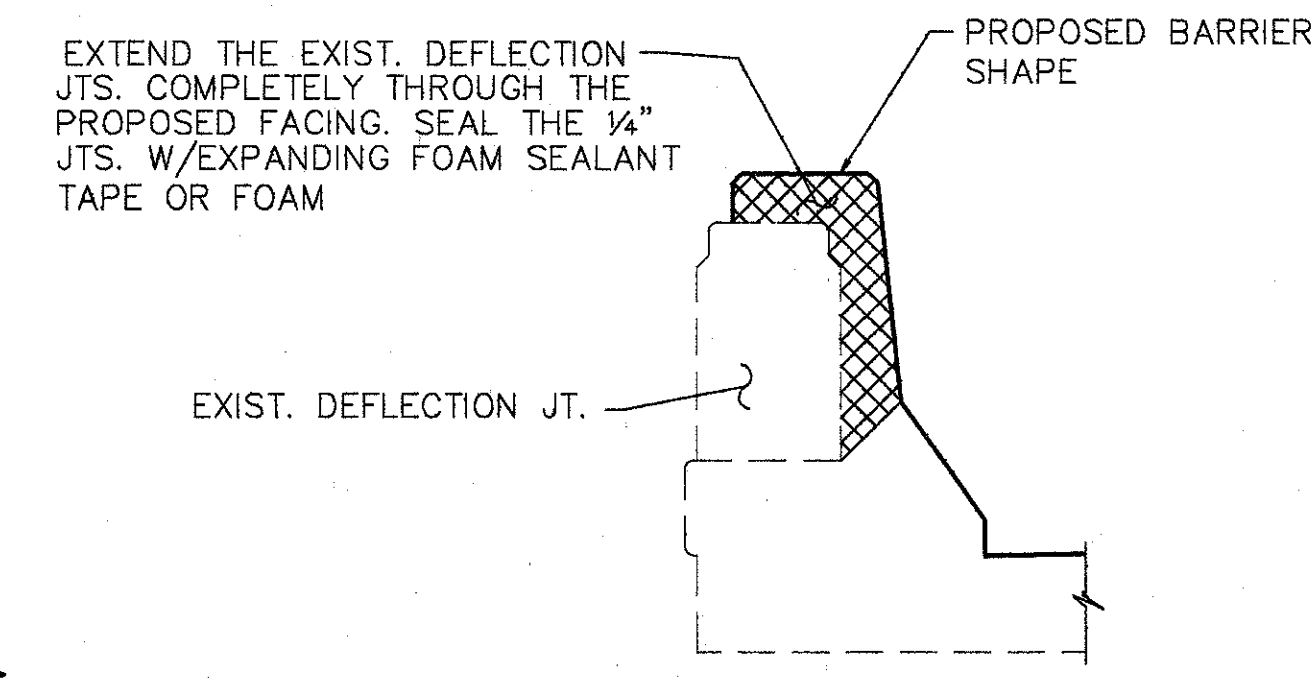
NOTES

- INSTALL DEFLECTION JOINTS AS PER DETAIL A THIS SHEET AND GENERAL NOTE FOR ITEM 517. SPACING SHALL COINCIDE WITH EXISTING DEFLECTION JOINT LOCATIONS
- ALL REINFORCING STEEL SHALL BE EPOXY COATED AND PAID FOR UNDER ITEM 509, EPOXY COATED REINFORCING STEEL, GRADE 60. ALL REBARS SHALL HAVE A MINIMUM OF 2" CLEARANCE.
- REMOVE END DAMS ON CURBS TO RECEIVE NEW BARRIER SHAPE AND STRIP SEALS. INCLUDE WITH LUMP SUM BID FOR ITEM 202, PORTIONS OF STRUCTURE REMOVED.

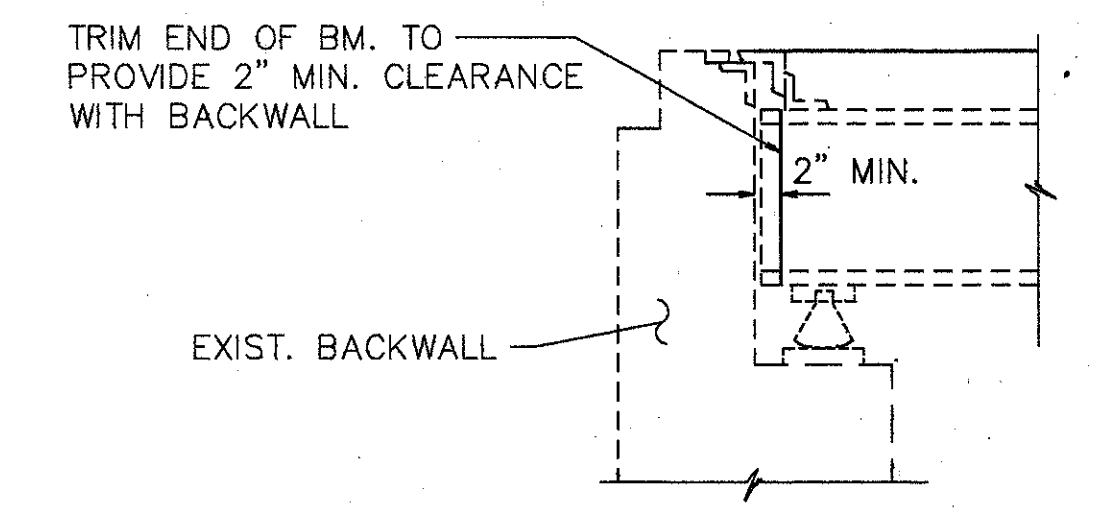


JUNCTION BOX EXTENSION DETAIL

THE PROPOSED JUNCTION BOX SHALL BE MADE FROM A TYPE II JUNCTION BOX. BY REMOVING THE FACE OPPOSITE OF THE OPENING & PORTIONS OF THE WALLS, THE EXIST. JUNCTION BOX CAN BE ACCESSED THROUGH A NEW OPENING ON THE PROPOSED BARRIER SHAPE'S FACE. THE EXTENSION SHALL BE ATTACHED TO THE FORMWORK FOR PLACEMENT. REFER TO LIGHTING PLANS FOR FURTHER DETAILS, TYPE AND LOCATION.

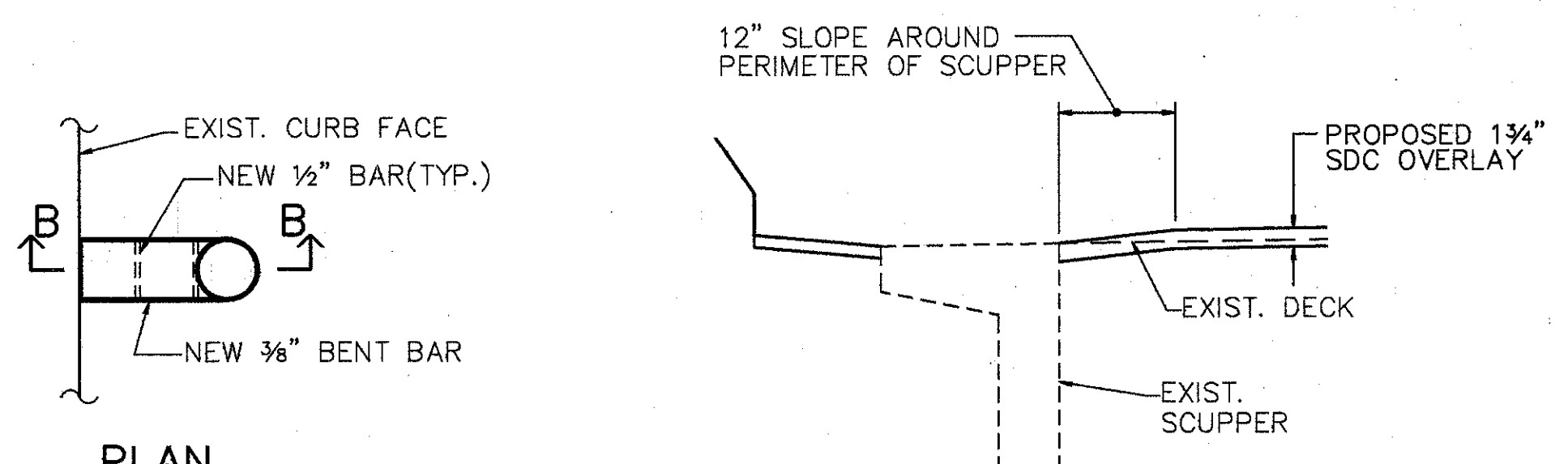


DETAIL A



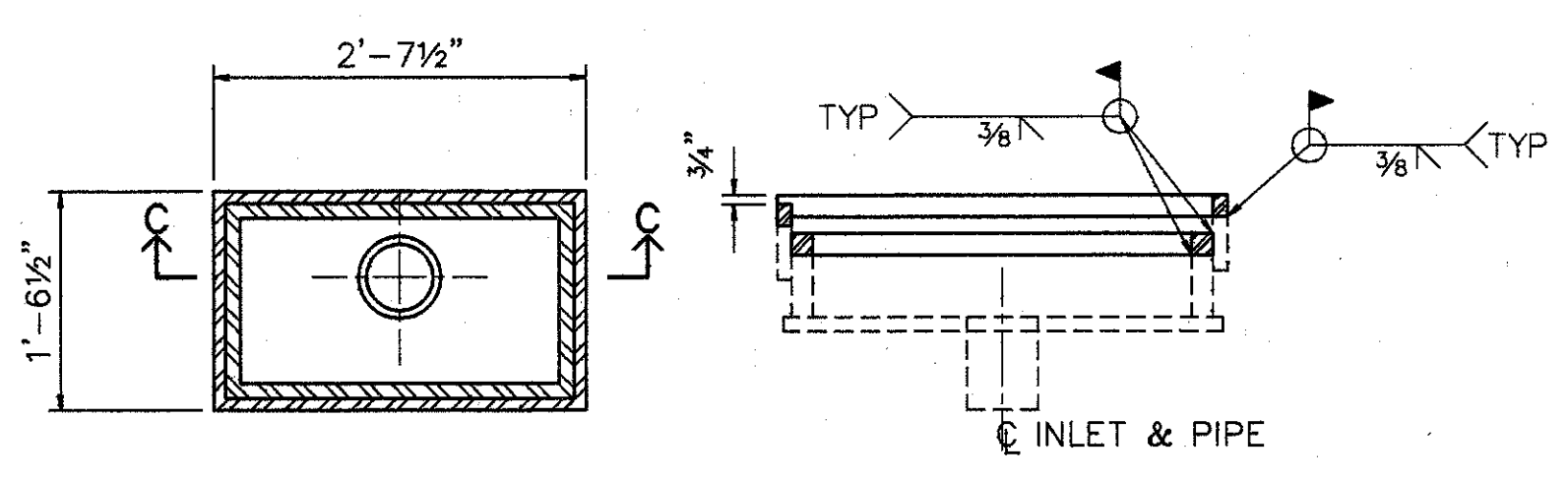
BEAM TRIMMING DETAIL

NOTE: TRIMMED EDGE SHALL HAVE A SMOOTH SURFACE FREE FROM CRACKS, NOTCHES, & BURRS. AREA DISTURBED BY THE TRIMMING OPERATION SHALL BE CLEANED & PAINTED AS PER PROPOSAL NOTE "FIELD PAINTING OF EXISTING STEEL, USING EPOXY AND URETHANE (EPU)." COST OF ALL WORK SHALL BE INCLUDED IN THE PRICE BID PER EACH, ITEM 513, TRIMMING OF BEAM END. THIS WORK SHALL ALSO INCLUDE ANY ADJUSTING OR RELOCATING OF EXISTING CROSS-FRAMING AS NEEDED TO CLEAR THE END OF THE TRIMMED BEAM.



PLAN

DETAIL C

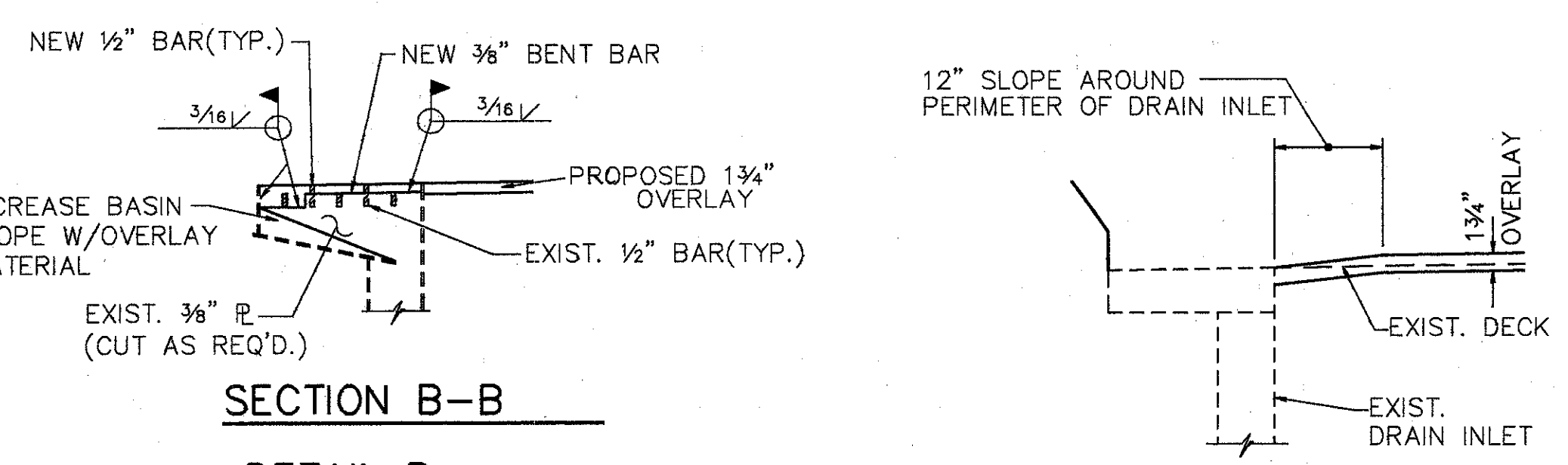


SECTION C-C

DETAIL E

NOTES:

- WHEN THE SCUPPER/DRAIN INLET IS LOCATED MORE THAN TWO(2) FEET FROM THE PROJECTED EDGE OF PAVEMENT DETAIL 'C' OR 'D' IS TO BE USED.
- WHEN ANY PHYSICAL PART OF THE SCUPPER/DRAIN INLET IS LOCATED WITHIN TWO(2) FEET OF THE PAVEMENT EDGE, DETAIL 'B' OR 'E' IS TO BE USED.
- EXTEND STEEL PIPE OF SCUPPER A MIN. OF 8" BELOW BOTTOM FLANGE OF EXIST. BEAM.
- ALL NEW STEEL AND EXISTING DISTURBED STEEL SURFACES THAT ARE EXPOSED SHALL BE FIELD PAINTED ACCORDING TO PROPOSAL NOTE ENTITLED, "FIELD PAINTING OF EXISTING STEEL, USING EPOXY AND URETHANE (EPU)."
- ALL LABOR, MATERIALS, EQUIPMENT AND ANY INCIDENTAL ITEMS NEEDED FOR DETAIL 'B' & 'E' TYPE SCUPPER/DRAIN INLET TREATMENT SHALL BE PAID FOR UNDER ITEM 518, SCUPPER MODIFICATION. COSTS FOR DETAIL TYPE 'C' OR 'D' TREATMENT SHALL BE INCLUDED IN THE PRICE FOR ITEM 850, SUPERPLASTICIZED DENSE CONCRETE OVERLAY (1 3/4" THICK).



SECTION B-B

DETAIL B

DETAIL D

TYPICAL SCUPPER TREATMENT FOR BRIDGE DECK OVERLAYS

\* CONCRETE SURFACES ADJACENT TO DECK JTS. SHALL BE FINISHED FLUSH OR SLIGHTLY ABOVE THE STEEL JT. SURFACE.

DETAIL G

**WOOLPERT CONSULTANTS**  
 409 E. MONUMENT AVENUE  
 DAYTON, OHIO 45402-1226  
 (513) 461-5660

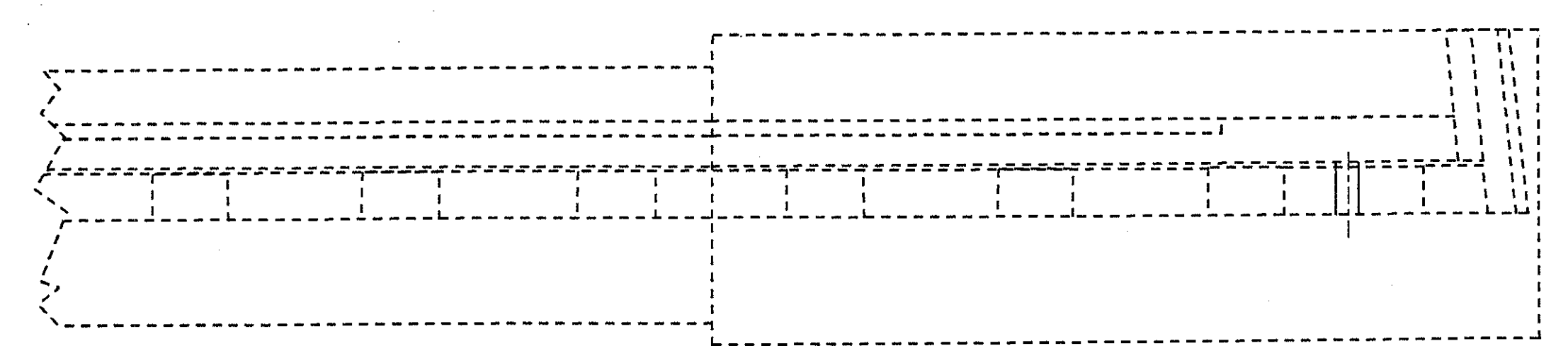
**GENERAL DETAILS**

BRIDGE NO. \_\_\_\_\_  
 HAMILTON COUNTY

DESIGNED	DRAWN	TRACED	CHECKED	REVIEWED	DATE	REVISED
L.A.T.M.	D.E.E.		M.A.A.	D.E.M11/11/94		

Last Print MAY 15, 1991 @ 2:37 PM  
 G:\STRV\9099-00\GENERAL.Lot Revision By: RAGH JAN 11, 1992 @ 1:10 PM

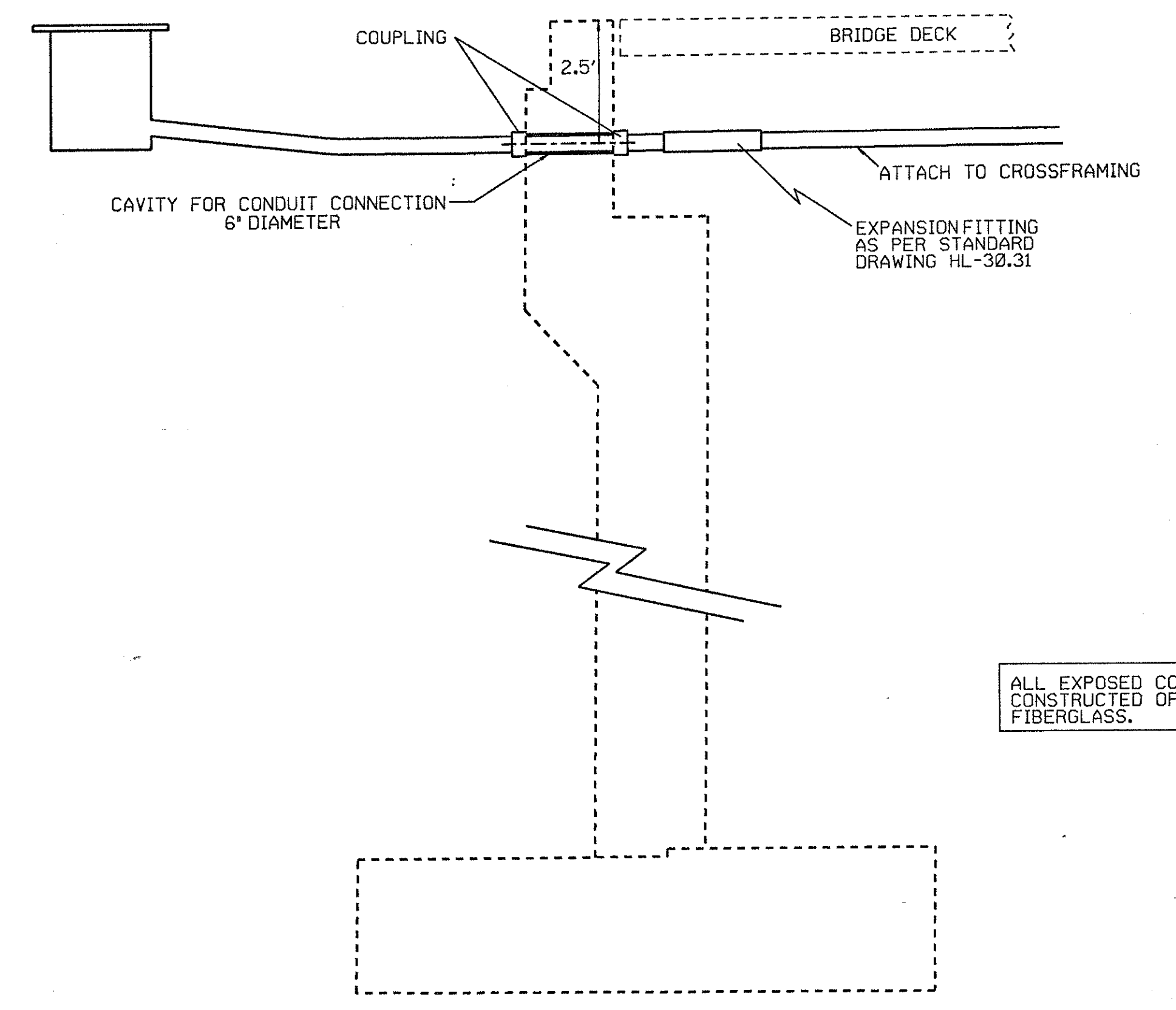
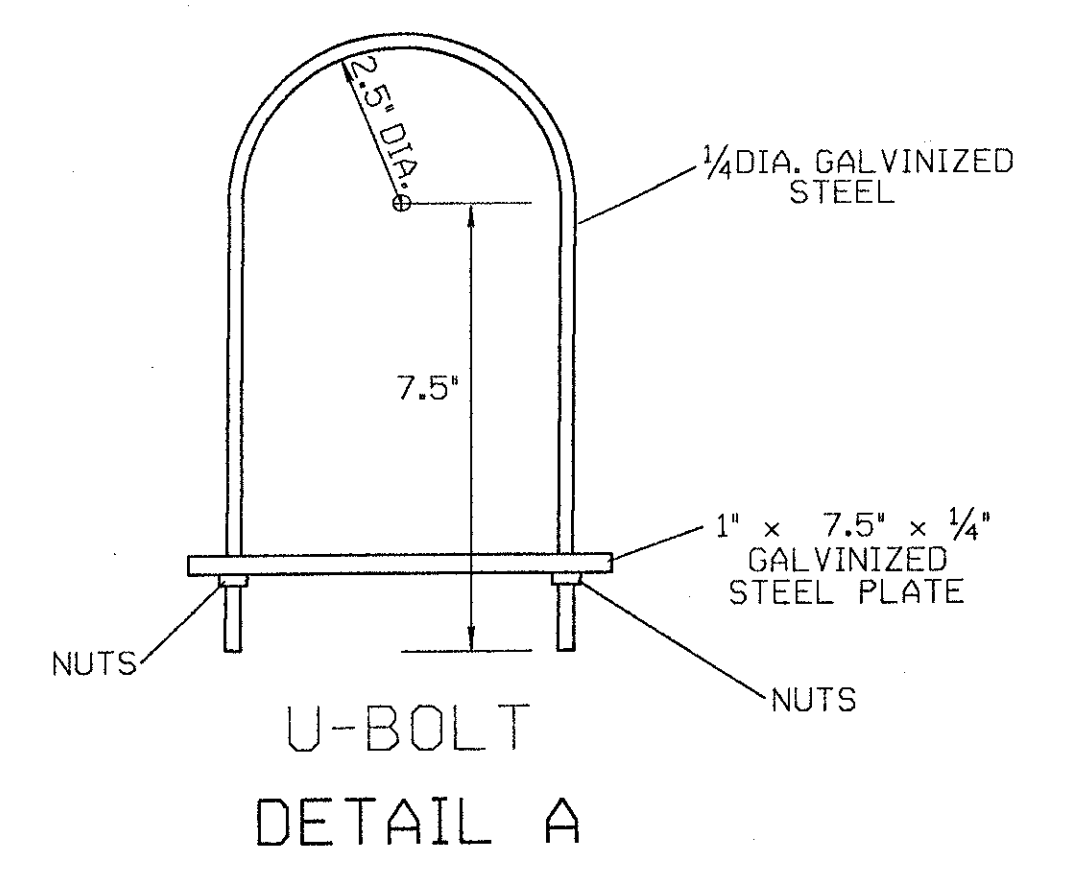
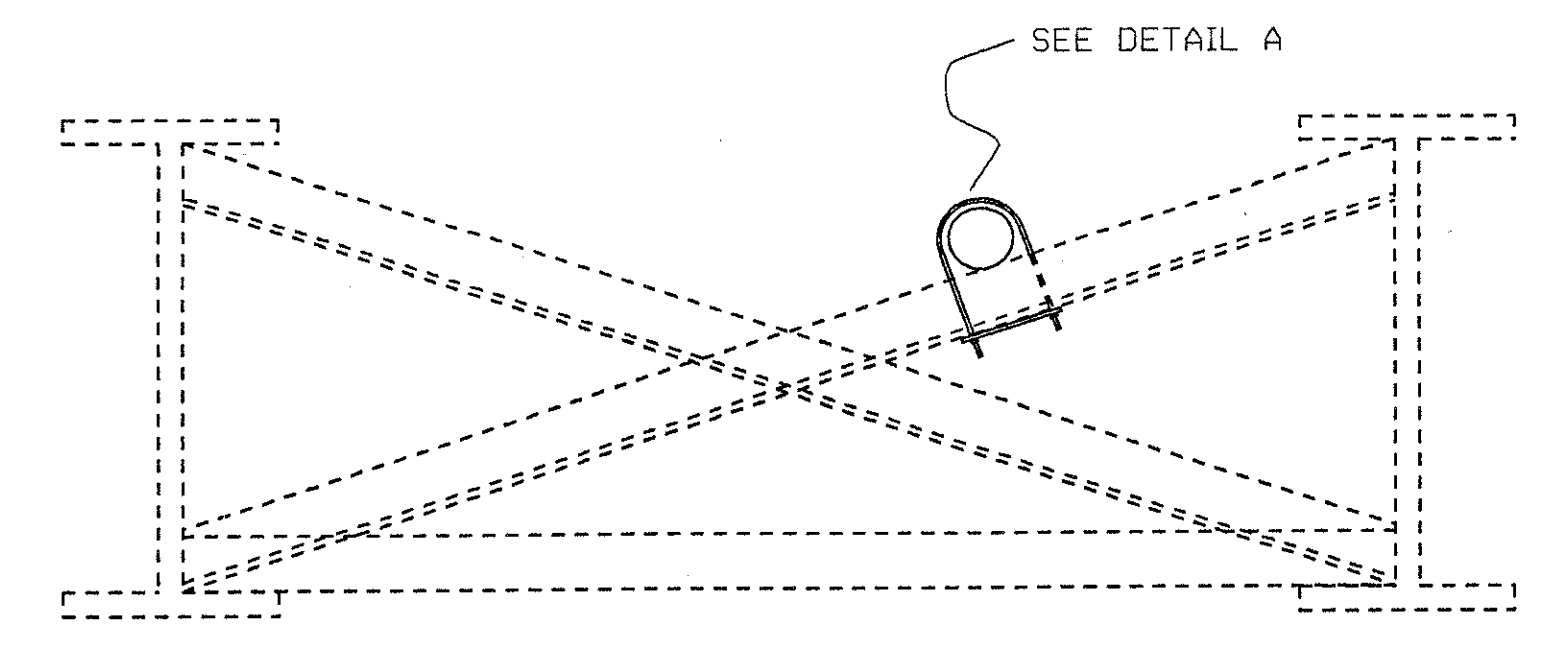
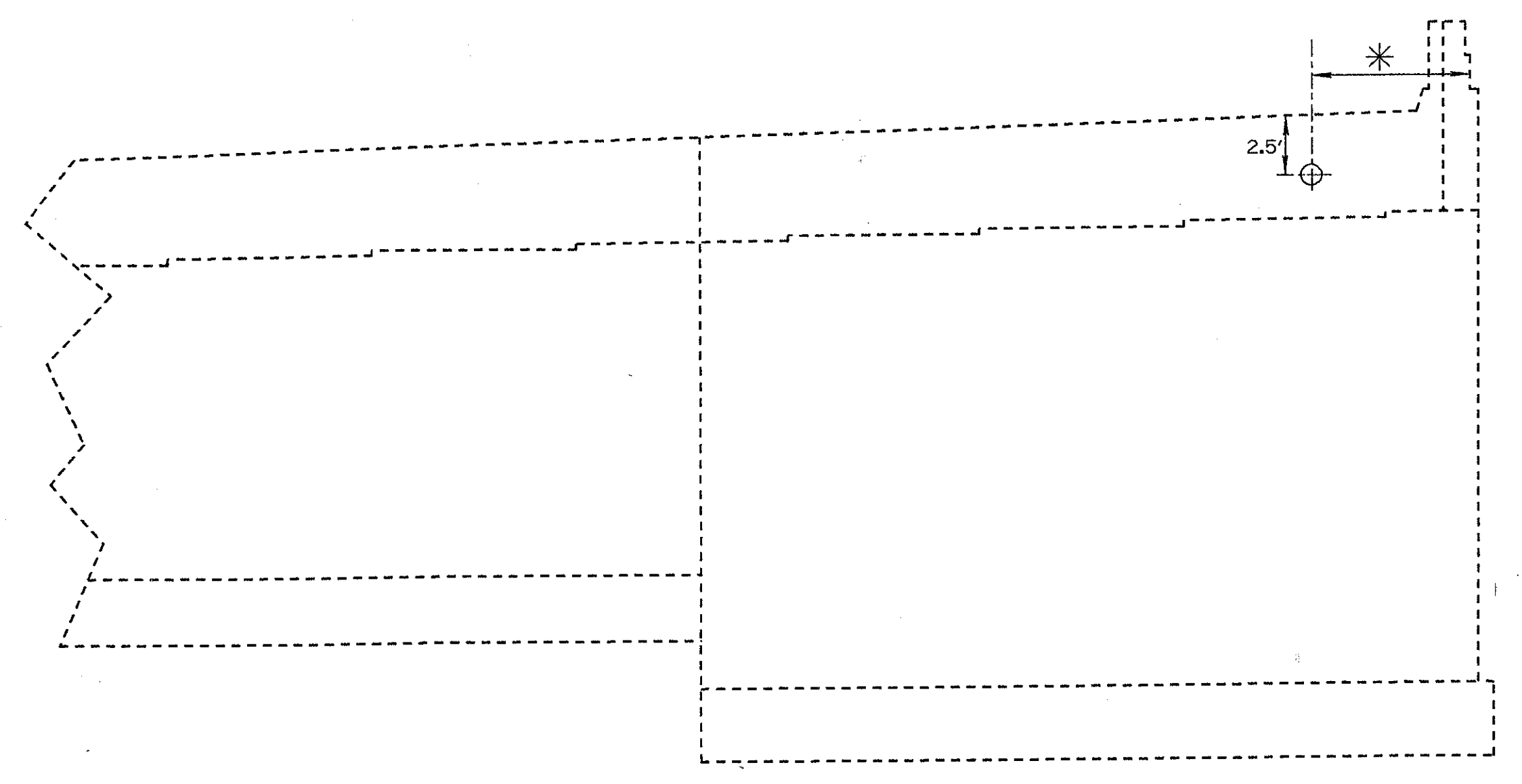




**NOTES:**

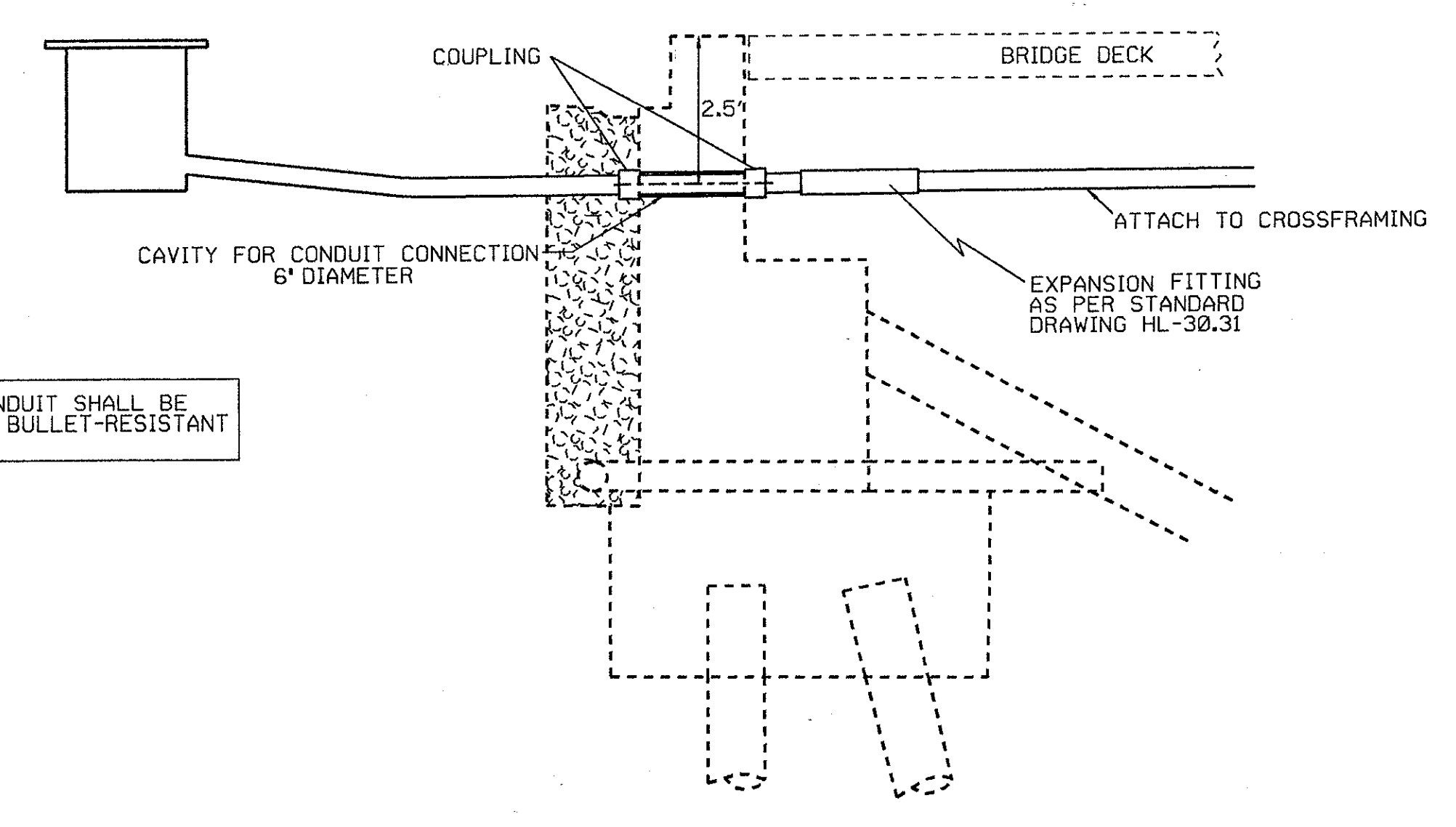
- 1) FILL SPACE AROUND THE CONDUIT AND/OR FITTINGS WITHIN THE CAVITY WITH A POLYURETHANE FOAM OR OTHER APPROVED COLD APPLIED JOINT SEALER.
- 2) FIBERGLASS CONDUIT SHALL BE CONNECTED TOGETHER WITH AN APPROVED EPOXY BONDING AGENT

- \* 4' HAM-71-2.43
  - 2.5' HAM-71-9.65
  - \* 4' HAM-71-10.63
- FIELD VERIFY CROSSFRAME LOCATION BEFORE DRILLING



ALL EXPOSED CONDUIT SHALL BE CONSTRUCTED OF BULLET-RESISTANT FIBERGLASS.

SECTION  
BRIDGE HAM-71-2.43R  
ONLY



ALL EXPOSED CONDUIT SHALL BE CONSTRUCTED OF BULLET-RESISTANT FIBERGLASS.

SECTION  
BRIDGE HAM-71-9.65R  
BRIDGE HAM-71-10.63R



# BRIDGE GENERAL SUMMARY

BRIDGE NUMBER													PARTICIPATION		ITEM	ITEM EXT.	SUBTOTAL SHT 274	UNITS	DESCRIPTION	
71-0130	71-0154	71-0176	71-0192	71-0192W	71-0192N	71-0202	22-0145	71-0221	71-0226	71-0228	42-0235R	42-0257R	42-0264R	STATE & FEDERAL						STATE
																201	11000		L.S.	CLEARING AND GRUBBING
																202	11202	LUMP	L.S.	PORTIONS OF STRUCTURE REMOVED, OVER 20 FOOT SPAN
																202	23501	14290	S.Y.	WEARING COURSE REMOVED (ASPHALT), AS PER PLAN
																304	20001	3	C.Y.	AGGREGATE BASE, AS PER PLAN
																503	21100	41	C.Y.	UNCLASSIFIED EXCAVATION
																509	15840	7210	LBS.	EPOXY COATED REINFORCING STEEL, GRADE 60
																509	15840	2355	LBS.	EPOXY COATED REINFORCING STEEL, GRADE 60
																509	15840	45768	LBS.	EPOXY COATED REINFORCING STEEL, GRADE 60
																509	15840	43651	LBS.	EPOXY COATED REINFORCING STEEL, GRADE 60
																509	15840	100673	LBS.	EPOXY COATED REINFORCING STEEL, GRADE 60
																510	12201	1019	L.F.	DOWEL HOLES, AS PER PLAN
																511	34450	85	C.Y.	CLASS S CONCRETE, MISC.: ABUTMENT PARAPETS
																511	34400	82	C.Y.	CLASS S CONCRETE, SUPERSTRUCTURE (RECONSTRUCTION)
																511	34450	606	C.Y.	CLASS S CONCRETE, MISC.: CONC. PARAPET RAILING, AS PER PLAN
																511	34450	4	C.Y.	CLASS S CONCRETE, MISC.: RETAINING WALL CAP, AS PER PLAN
																511	45700	143	C.Y.	CLASS C CONCRETE, ABUTMENT (REPAIR OR RECONSTRUCT)
																SPECIAL	51267200	5246	S.Y.	WATERPROOFING, MISC.: SEALING ASPHALT WEARING SURFACE
																SPECIAL	51267500	19185	S.Y.	SEALING OF CONCRETE SURFACE *
																SPECIAL	51267502	4860	S.Y.	SEALING OF CONCRETE SURFACE (EPOXY) *
																513	15501	600	LBS.	STRUCTURAL STEEL (MISC. AND CASTINGS), AS PER PLAN
																513	16000	7400	LBS.	STRUCTURAL STEEL FOR REHABILITATION
																513	21000	93	EACH	TRIMMING OF BEAM END
																SPECIAL	51400050	56000	S.F.	SURFACE PREPARATION OF EXIST. STEEL, SYSTEM OZEU *
																SPECIAL	51400056	56000	S.F.	FIELD PAINTING OF EXIST. STEEL, PRIME COAT, SYSTEM OZEU *
																SPECIAL	51400060	56000	S.F.	FIELD PAINTING OF EXIST. STEEL, INTERMEDIATE COAT, SYSTEM OZEU *
																SPECIAL	51400066	56000	S.F.	FIELD PAINTING OF EXIST. STEEL, FINISH COAT, SYSTEM OZEU *
																SPECIAL	51400504	100	MIN HOUR	GRINDING FINS, TEARS, SLIVERS *
																SPECIAL	51400508		L.F.	GRINDING FLANGE EDGES *
																514	00610	7400	LBS.	FIELD PAINTING OF NEW STEEL, SYSTEM IZEU*
																514	27704	LUMP	L.S.	FIELD PAINTING, MISC.: FIELD PAINTING EXISTING STEEL, EEU *
																516	10000	126	L.F.	PREFORMED ELASTOMERIC COMPRESSION JOINT SEAL (705.11)
																516	10901	115	L.F.	ELASTOMERIC COMPRESSION SEAL, AS PER PLAN
																516	11210	1895	L.F.	STRUCTURAL EXP. JT., INCLUDING ELASTOMERIC STRIP SEAL
																516	13600	2	S.F.	1" PREFORMED EXPANSION JOINT FILLER
																516	14600	1105	L.F.	STRUCTURAL JOINT OR JOINT SEALER, MISC.: 2"x4" SEALER, AS PER PLAN
																516	14600	34	L.F.	STRUCTURAL JOINT OR JOINT SEALER, MISC.: 3"x5" SEALER, AS PER PLAN
																516	30500	8	L.F.	PVC WATERSTOP
																516	31000	345	L.F.	JOINT SEALER, 705.04
																516	45304	232	EACH	REFURBISH BEARING DEVICE
																517	76201	6354	L.F.	RAILING FACED, AS PER PLAN (32" HIGH)
																517	76201		L.F.	RAILING FACED, AS PER PLAN (50" HIGH)
																518	12700	4	EACH	SCUPPER, VERTICAL EXTENSION
																518	12800	44	EACH	SCUPPER MODIFICATION
																518	21200	41	C.Y.	POROUS BACKFILL WITH FILTER FABRIC
																518	41100	77	L.F.	6" PERFORATED HELICAL CORRUGATED STEEL PIPE, 707.01
																518	63300	LUMP	L.S.	STRUCTURE DRAINAGE, MISC.: MODIFY DRAINAGE PIPING
																519	11100	811	S.F.	PATCHING CONCRETE STRUCTURE
																SPECIAL	51912600	361	L.F.	CONCRETE REPAIR BY EPOXY INJECTION *
																SPECIAL	53000400	166	EACH	STRUCTURAL MISC.: LATERAL BRACING GUSSET PLATE RETROFIT (INTERMEDIATE).
																601	20001		S.Y.	CRUSHED AGGREGATE SLOPE PROTECTION, AS PER PLAN
																604	33400	1	EACH	MANHOLE COVER
																607	20001	72	L.F.	FENCE TYPE CL, AS PER PLAN
																607	20101	9	L.F.	FENCE TYPE CL MISC. HEIGHT, AS PER PLAN
																SPECIAL	60739910	180	L.F.	VANDAL PROTECTION FENCE, 8' STRAIGHT, COATED FABRIC
																653	10000		C.Y.	TOPSOIL FURNISHED AND PLACED
																660	25000		S.Y.	SODDING, STAKED
																845	40210	28619	S.Y.	LATEX MODIFIED CONCRETE: OVERLAY (1-3/4" THICK), ON EXISTING DECK
																845	11000	463	C.Y.	LATEX MODIFIED CONCRETE, VARIABLE THICKNESS
																845	30000	9	C.Y.	FULL DEPTH REPAIR

\* SEE PROPOSAL NOTE BRIDGE GENERAL SUMMAR

LEAD PLOT SEPT. 26, 1991, 0 4.12 PM  
 C:\STR\056-05\1055011\LEAD.PLOT



# BRIDGE GENERAL SUMMARY

BRIDGE NUMBER									SUBTOTAL SHT 274	SUBTOTAL SHT 275	PARTICIPATION		ITEM	ITEM EXT	GRAND TOTAL	UNITS	DESCRIPTION
71-0243L	71-0243R	71-0289	71-0965L	71-0965R	71-0986	71-0987	71-1063L	71-1063R			STATE & FEDERAL	STATE					
		LUMP							LUMP	LUMP			201	11000	LUMP	L.S.	CLEARING AND GRUBBING
		LUMP							LUMP	LUMP	LUMP		202	11202	LUMP	L.S.	PORTIONS OF STRUCTURE REMOVED, <b>OVER 20 FOOT SPAN</b>
		LUMP							14290	2600			202	23501	16890	S.Y.	WEARING COURSE REMOVED (ASPHALT), AS PER PLAN
							1300	1300					304	20001	3	C.Y.	AGGREGATE BASE, AS PER PLAN
									3				503	21100	64	C.Y.	UNCLASSIFIED EXCAVATION
23									41	23			509	15840	7210	LBS.	EPOXY COATED REINFORCING STEEL, GRADE 60
									7210				509	15840	2355	LBS.	EPOXY COATED REINFORCING STEEL, GRADE 60
									2355				509	15840	104139	LBS.	EPOXY COATED REINFORCING STEEL, GRADE 60
									45768	58371			509	15840	98332	LBS.	EPOXY COATED REINFORCING STEEL, GRADE 60
									43651	54681			509	15840	100673	LBS.	EPOXY COATED REINFORCING STEEL, GRADE 60
23392	31289								100968				510	12201	1940	L.F.	DOWEL HOLES, AS PER PLAN
									1019	921			511	34450	159	C.Y.	CLASS S CONCRETE, MISC.: ABUTMENT PARAPETS
174	154	25	141	141			125	161	85	74			511	34400	92	C.Y.	CLASS S CONCRETE, SUPERSTRUCTURE (RECONSTRUCTION)
4	5		10	13	8	8	13	13	82	10	92		511	34400	606	C.Y.	CLASS S CONCRETE, MISC.: CONC. PARAPET RAILING, AS PER PLAN
4	6								606		606		511	34450	4	C.Y.	CLASS S CONCRETE, MISC.: RETAINING WALL CAP, AS PER PLAN
									4		4		511	45700	237	C.Y.	CLASS C CONCRETE, ABUTMENT (REPAIR OR RECONSTRUCT)
31	12	3	12	11			10	15	143	94			511	45700	237	C.Y.	CLASS C CONCRETE, ABUTMENT (REPAIR OR RECONSTRUCT)
									5246		5246		SPECIAL	51267200	5246	S.Y.	WATERPROOFING, MISC.: SEALING ASPHALT WEARING SURFACE
									19185	11612			SPECIAL	51267500	30797	S.Y.	SEALING OF CONCRETE SURFACE *
2190	3088	1337	909	905	140	804	1056	1183	4860	2044			SPECIAL	51267502	6904	S.Y.	SEALING OF CONCRETE SURFACE (EPOXY) *
188	682	140	149	243	92	56	193	301	600	1650	2250		513	15501	2250	LBS.	STRUCTURAL STEEL (MISC. AND CASTINGS), AS PER PLAN
100	1550								7400		7400		513	16000	7400	LBS.	STRUCTURAL STEEL FOR REHABILITATION
									93	82	175		513	21000	175	EACH	TRIMMING OF BEAM END
	4	12	15	18	2		13	18	56000	105070			SPECIAL	51400050	161070	S.F.	SURFACE PREPARATION OF EXIST. STEEL, SYSTEM OZEU *
					24900	14350	24625	41195	56000	105070			SPECIAL	51400056	161070	S.F.	FIELD PAINTING OF EXIST. STEEL, PRIME COAT, SYSTEM OZEU *
					24900	14350	24625	41195	56000	105070			SPECIAL	51400060	161070	S.F.	FIELD PAINTING OF EXIST. STEEL, INTERMEDIATE COAT, SYSTEM OZEU *
					24900	14350	24625	41195	56000	105070			SPECIAL	51400066	161070	S.F.	FIELD PAINTING OF EXIST. STEEL, FINISH COAT, SYSTEM OZEU *
					24900	14350	24625	41195	56000	105070			SPECIAL	51400504	500	HOUR	GRINDING FINIS, TEARS, SLIVERS *
					100	100	100	100	100	400			SPECIAL	51400508	2672	L.F.	GRINDING FLANGE EDGES *
					2672				2672		2672		SPECIAL	51400508	2672	L.F.	GRINDING FLANGE EDGES *
									7400		7400		514	00610	7400	LBS.	FIELD PAINTING OF NEW STEEL, SYSTEM IZEU *
									LUMP	LUMP			514	27704	LUMP	L.S.	FIELD PAINTING, MISC.: FIELD PAINTING EXISTING STEEL, EEU *
LUMP	LUMP	LUMP	LUMP	LUMP					126	199			516	10000	325	L.F.	PREFORMED ELASTOMERIC COMPRESSION JOINT SEAL (705.11)
		54			79	66			115		115		516	10901	115	L.F.	ELASTOMERIC COMPRESSION SEAL, AS PER PLAN
									1895	1445			516	11210	3340	L.F.	STRUCTURAL EXP. JT., INCLUDING ELASTOMERIC STRIP SEAL
155	338	101	170	166	83	71	144	217	2	17	19		516	13600	19	S.F.	1" PREFORMED EXPANSION JOINT FILLER
17									1105	187			516	14600	1292	L.F.	STRUCTURAL JOINT OR JOINT SEALER, MISC.: 2"x4" SEALER, AS PER PLAN
75	25		26	35				26	34				516	14600	3	L.F.	STRUCTURAL JOINT OR JOINT SEALER, MISC.: 3"x5" SEALER, AS PER PLAN
									8	15	23		516	30500	23	L.F.	PVC WATERSTOP
15									345				516	31000	345	L.F.	JOINT SEALER, 705.04
									232	181			516	45304	413	EACH	REFURBISH BEARING DEVICE
24	58	12	18	18	8	8	14	21	6354	3897	10251		517	76201	10251	L.F.	RAILING FACED, AS PER PLAN (32" HIGH)
1514			164	154	976	550	257	282		3176	3176		517	76201	3176	L.F.	RAILING FACED, AS PER PLAN (50" HIGH)
	2310		160	160			260	286	4	70	74		518	12700	74	EACH	SCUPPER, VERTICAL EXTENSION
			9	10	12	7	12	20	44	15	59		518	12800	59	EACH	SCUPPER MODIFICATION
		3			6	6			41	23			518	21200	64	C.Y.	POROUS BACKFILL WITH FILTER FABRIC
23									77	70	147		518	41100	147	L.F.	6" PERFORATED HELICAL CORRUGATED STEEL PIPE, 707.01
70									LUMP	LUMP	LUMP		518	63300	LUMP	L.S.	STRUCTURE DRAINAGE, MISC.: MODIFY DRAINAGE PIPING
LUMP	LUMP								811	173			519	11100	984	S.F.	PATCHING CONCRETE STRUCTURE
			27	3	5	125	7	6	361	152			SPECIAL	51912600	513	L.F.	CONCRETE REPAIR BY EPOXY INJECTION *
		20	109		23				166	176			SPECIAL	53000400	342	EACH	STRUCTURE MISC.: LATERAL BRACING GUSSET PLATE RETROFIT (INTERMEDIATE)
55	120									298			601	20001	298	S.Y.	CRUSHED AGGREGATE SLOPE PROTECTION, AS PER PLAN
		210					28	60	1		1		604	33400	1	EACH	MANHOLE COVER
													607	20001	72	L.F.	FENCE TYPE CL, AS PER PLAN
									72				607	20101	9	L.F.	FENCE TYPE CL MISC. HEIGHT, AS PER PLAN
									9				SPECIAL	60739910	180	L.F.	VANDAL PROTECTION FENCE, 8' STRAIGHT, COATED FABRIC
									180				653	10000	12	C.Y.	TOPSOIL FURNISHED AND PLACED
										12			660	25000	140	S.Y.	SODDING, STAKED
		12								140			845	40210	53490	S.Y.	LATEX MODIFIED CONCRETE MISC.: OVERLAY (1-3/4" THICK) ON EXISTING DECK
4219	10400	1249	1370	1326	1420	804	1557	2526	463	440	903		845	11000	903	C.Y.	LATEX MODIFIED CONCRETE, VARIABLE THICKNESS
41	101	85	13	13	56	16	16	99	9	11			845	30000	20	C.Y.	FULL DEPTH REPAIR
1	2	1	1	1	1	1	1	2									

\* SEE PROPOSAL NOTE BRIDGE GENERAL SUMMARY

LHM P111 SEPT. 26, 1991 @ 2:14 PM  
C:\EX15588-03\105512 Unit Revision By: D.T.E. AUG. 31, 1994 @ 10:59 AM

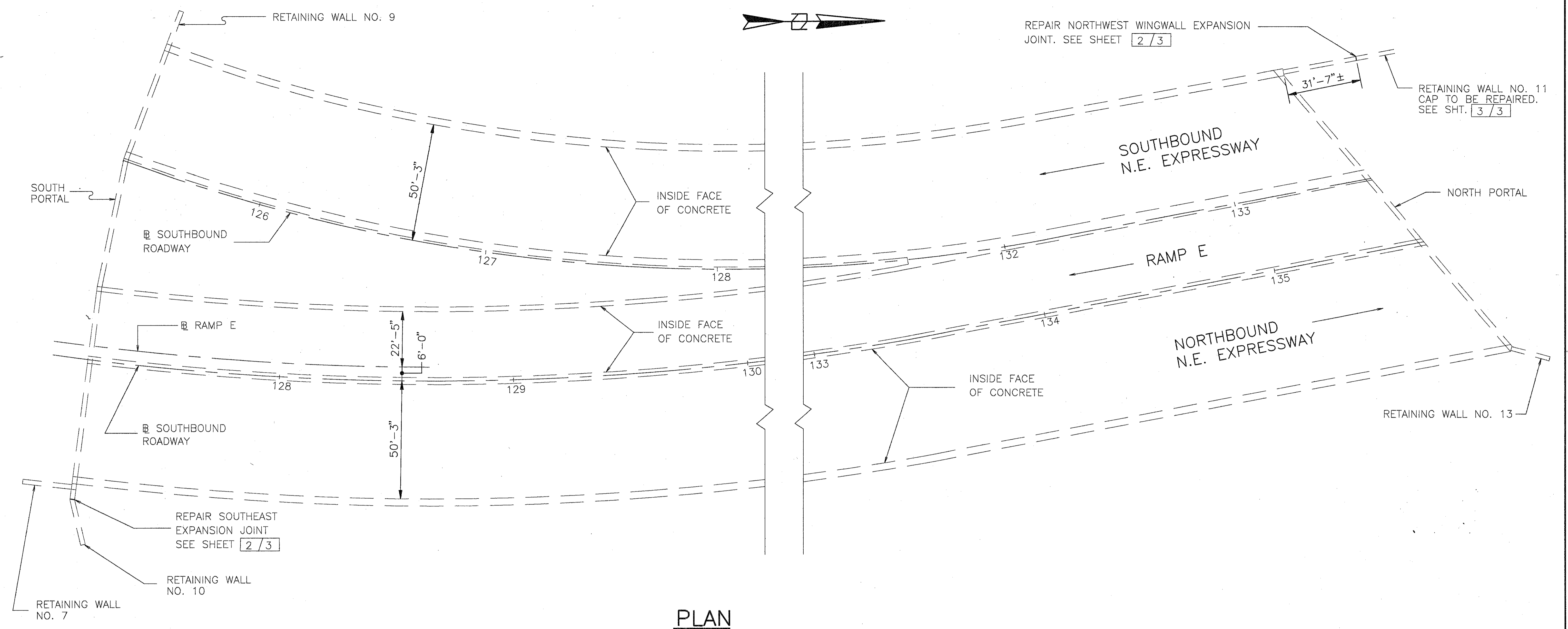


# BRIDGE GENERAL SUMMARY

BRIDGE NUMBER														PARTICIPATION		ITEM	ITEM EXT.	SUBTOTAL	UNITS	DESCRIPTION	
71-0130	71-0154	71-0176	71-0192	71-0192W	71-0192N	71-0202	22-0145	71-0221	71-0226	71-0228	42-0235R	42-0257R	42-0264R	STATE & FEDERAL	STATE						
	500		760	80	125	150	100	100	50	50	75	210	475	2675			516	14600	2675	L.F.	STRUCTURAL JOINT OR JOINT SEALER, MISC.: SEAL JOINT BETWEEN ABUTMENT AND CONCRETE SLOPE PROTECTION
	4						1							10			516	45305	10	EACH	REFURBISH BEARING DEVICE, AS PER PLAN
	LUMP	LUMP	LUMP	LUMP	LUMP	LUMP	LUMP	LUMP	LUMP	LUMP	LUMP	LUMP	LUMP	LUMP			518	63300	LUMP	L.S.	STRUCTURE DRAINAGE, MISC.: SCUPPER AND DRAINAGE PIPE CLEANOUT
	10		12	3	5	5	4	4	2	2	3	8	10	68			601	21100	68	S.Y.	SLOPE PROTECTION, MISC.: REPAIR CONCRETE SLOPE PROTECTION
10														10			SPECIAL	51911600	10	S.F.	PATCHING CONCRETE STRUCTURE, MISC.: CERAMIC GLAZED WALL TILE

BRIDGE NUMBER									SUBTOTAL	SUBTOTAL	PARTICIPATION		ITEM	ITEM EXT.	GRAND TOTAL	UNITS	DESCRIPTION	
71-0243L	71-0243R	71-0289	71-0965L	71-0965R	71-0986	71-0987	71-1063L	71-1063R	ABOVE		STATE & FEDERAL	STATE						
175	235	50							2675	460	3135			516	14600	3135	L.F.	STRUCTURAL JOINT OR JOINT SEALER, MISC.: SEAL JOINT BETWEEN ABUTMENT AND CONCRETE SLOPE PROTECTION
6	15						1		10	22	32			516	45305	32	EACH	REFURBISH BEARING DEVICE, AS PER PLAN
LUMP	LUMP	LUMP	LUMP	LUMP	LUMP	LUMP	LUMP	LUMP	LUMP	LUMP	LUMP			518	63300	LUMP	L.S.	STRUCTURE DRAINAGE, MISC.: SCUPPER AND DRAINAGE PIPE CLEANOUT
6	8	2							68	16	84			601	21100	84	S.Y.	SLOPE PROTECTION, MISC.: REPAIR CONCRETE SLOPE PROTECTION
									10		10			SPECIAL	51911600	10	S.F.	PATCHING CONCRETE STRUCTURE, MISC.: CERAMIC GLAZED WALL TILE






### PLAN

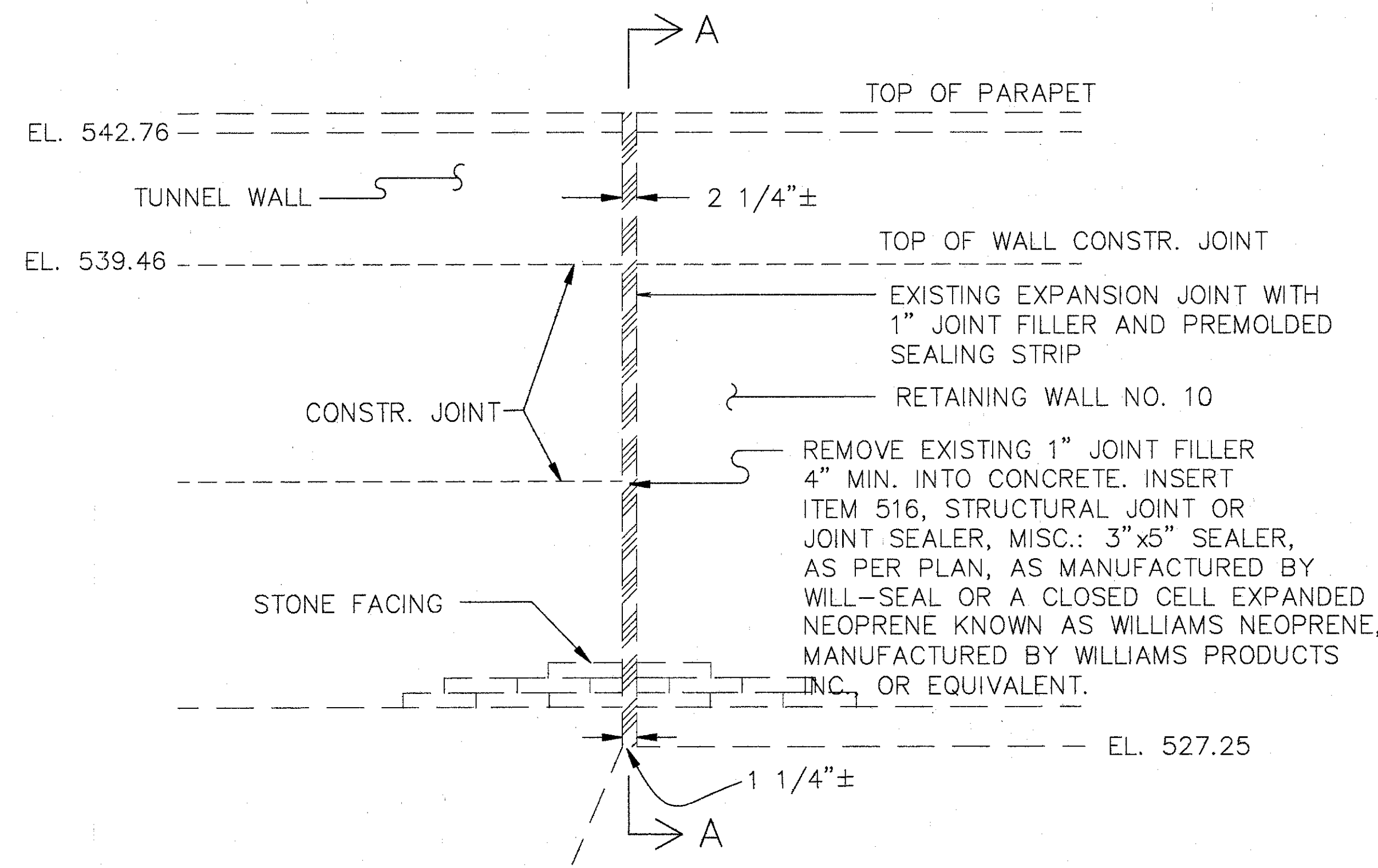
### PROPOSED WORK

1. REPAIR EXPANSION JOINTS IN RETAINING WALLS AT SOUTHEAST AND NORTHWEST WINGWALLS.
2. REPAIR RETAINING WALL CAP.
3. AT LEAST ONE LANE OF TRAFFIC SHALL BE MAINTAINED IN THE TUNNEL AT ALL TIMES. FOR NOTE SEE MAINTENANCE OF TRAFFIC PLANS.
4. OTHER WORK AS DESCRIBED IN THESE PLANS.

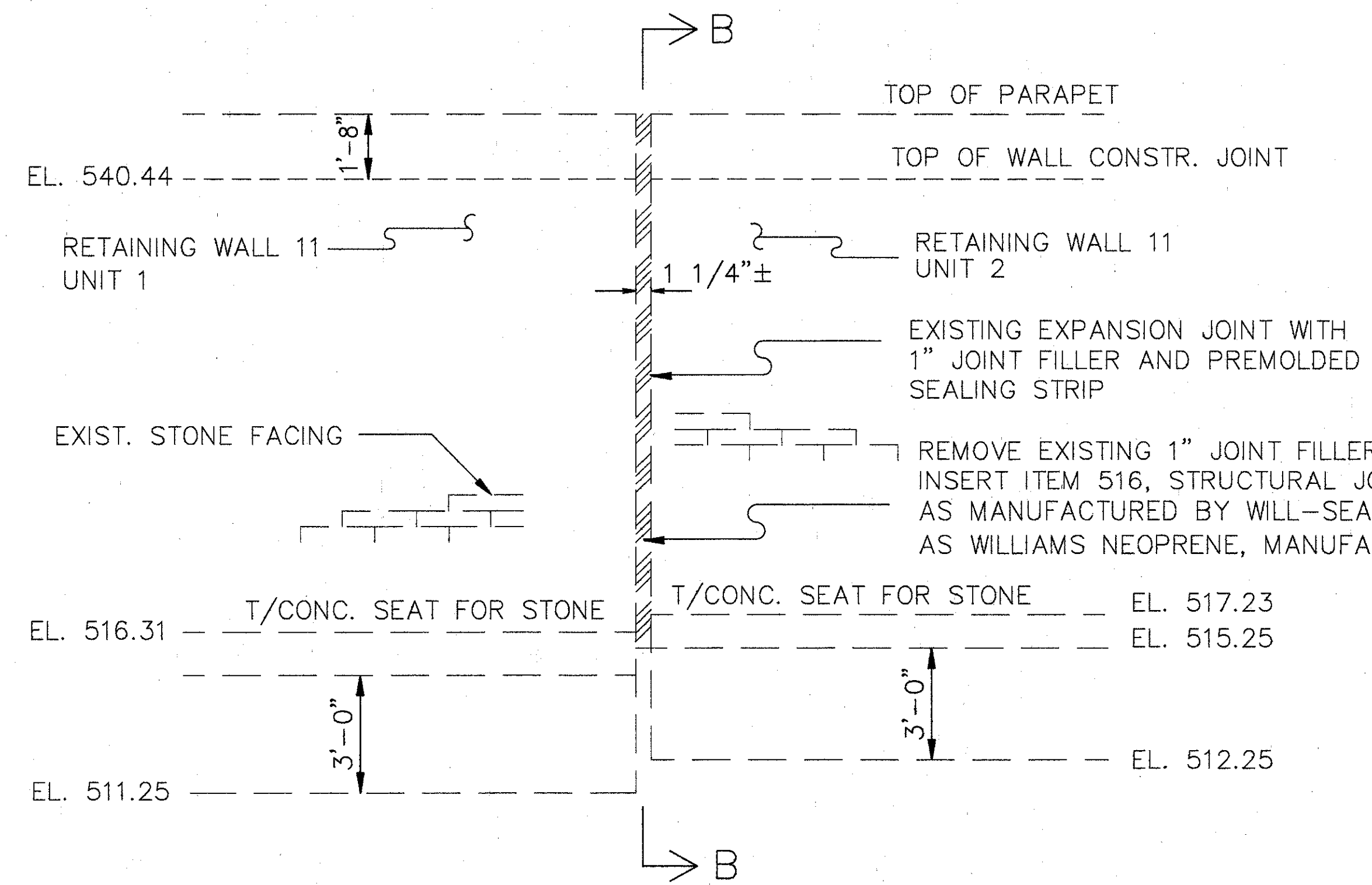
 <b>WOOLPERT CONSULTANTS</b> 409 E. MONUMENT AVENUE DAYTON, OHIO 45402-1226 (513) 461-5660		1 / 3
<b>GENERAL PLAN</b>		
BRIDGE NO. HAM-71-0130 TUNNEL UNDER LYTLE PARK		
HAMILTON COUNTY		
DESIGNED	DRAWN	TRACED
L.A.T.M.	D.E.E.	
CHECKED	REVIEWED	DATE
M.A.A.	D.E.M11/11/94	

LAM: MAY 15, 1991 @ 5:20 PM  
 C:\P\7050-01\LAND\LA\OUT Let Revision By: R.L.J. SEPT. 15, 1994 @ 3:54 PM

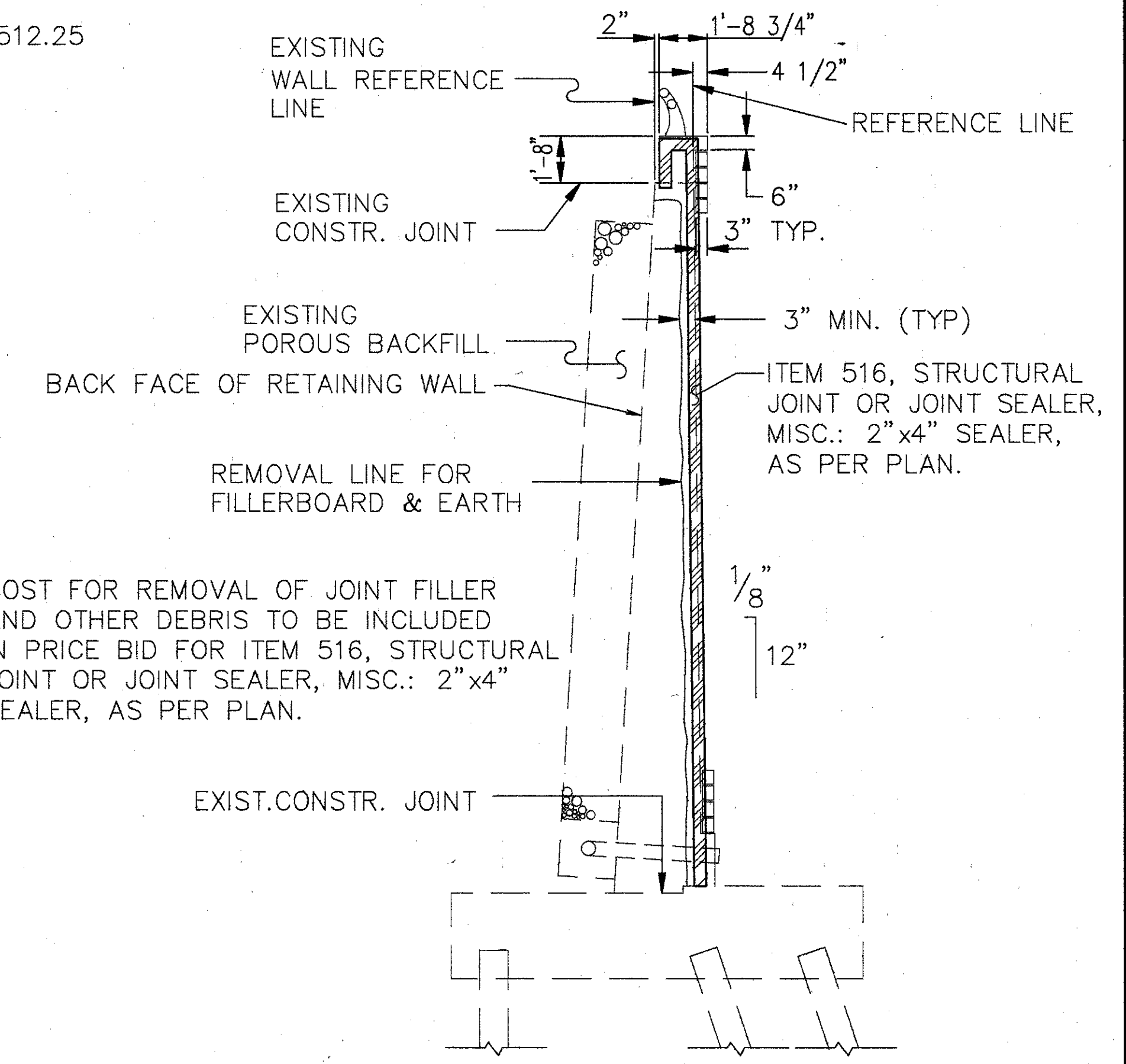




**ELEVATION SOUTHEAST EXP. JOINT**  
NTS

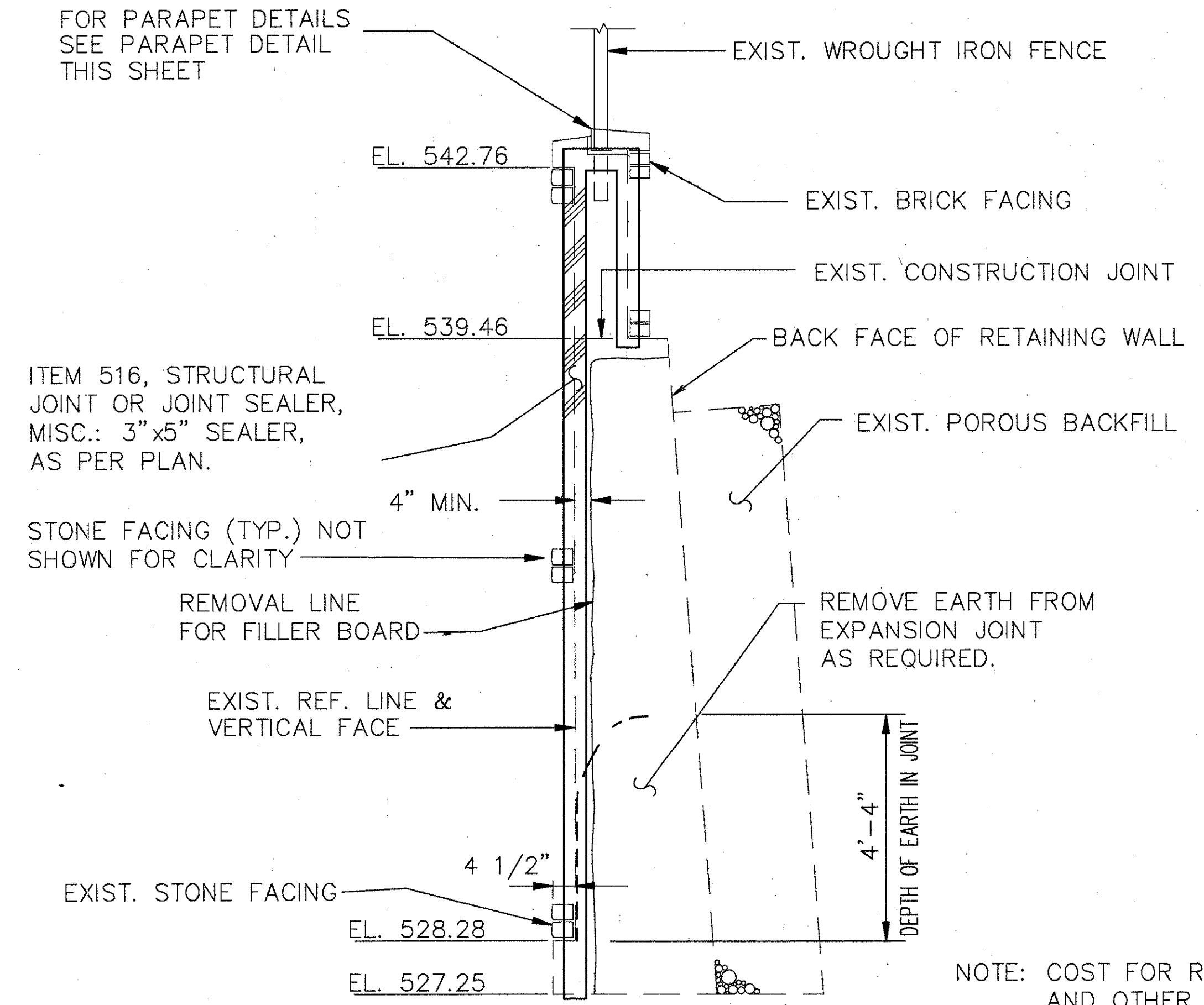


**ELEVATION NORTHWEST EXP. JOINT**  
NTS



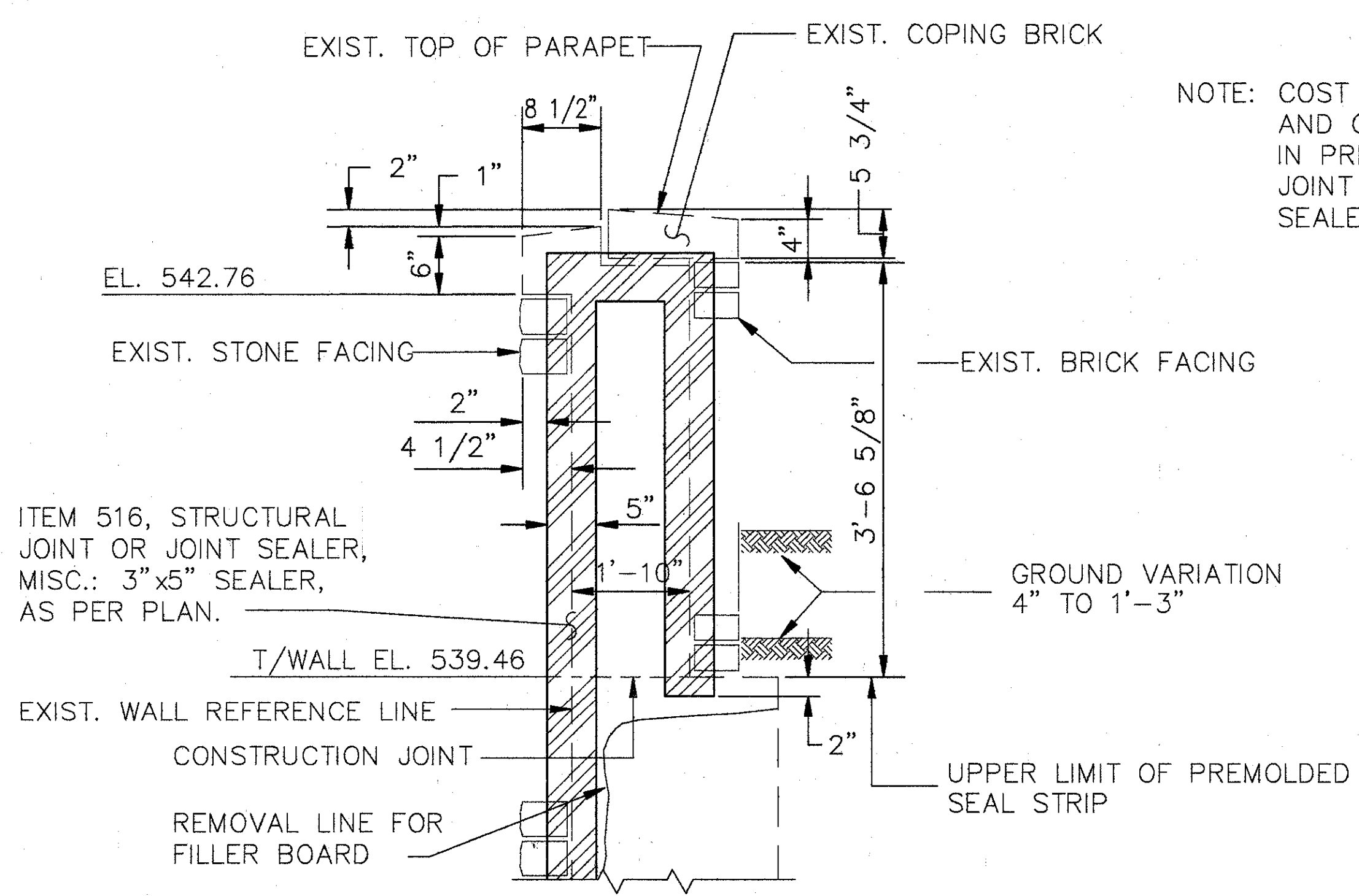
NOTE: COST FOR REMOVAL OF JOINT FILLER AND OTHER DEBRIS TO BE INCLUDED IN PRICE BID FOR ITEM 516, STRUCTURAL JOINT OR JOINT SEALER, MISC.: 2"x4" SEALER, AS PER PLAN.

**SECTION B-B**



**SECTION A-A**

NOTE: COST FOR REMOVAL OF JOINT FILLER AND OTHER DEBRIS TO BE INCLUDED IN PRICE BID FOR ITEM 516, STRUCTURAL JOINT OR JOINT SEALER, MISC.: 3"x5" SEALER, AS PER PLAN.



**PARAPET DETAIL**  
SOUTHEAST EXP. JT. ONLY

**WOOLPERT CONSULTANTS**  
 409 E. MONUMENT AVENUE  
 DAYTON, OHIO 45402-1226  
 (513) 461-5660

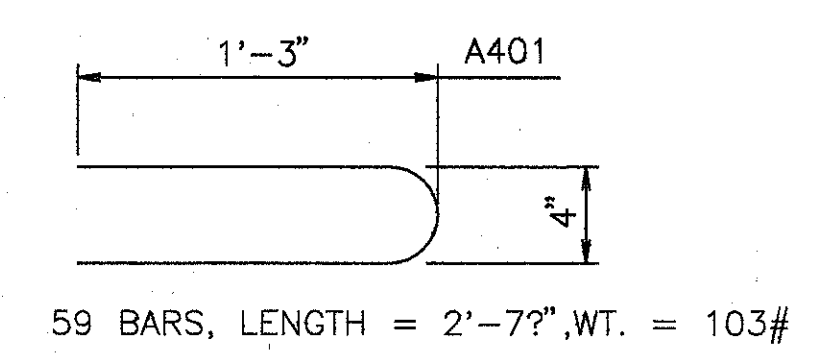
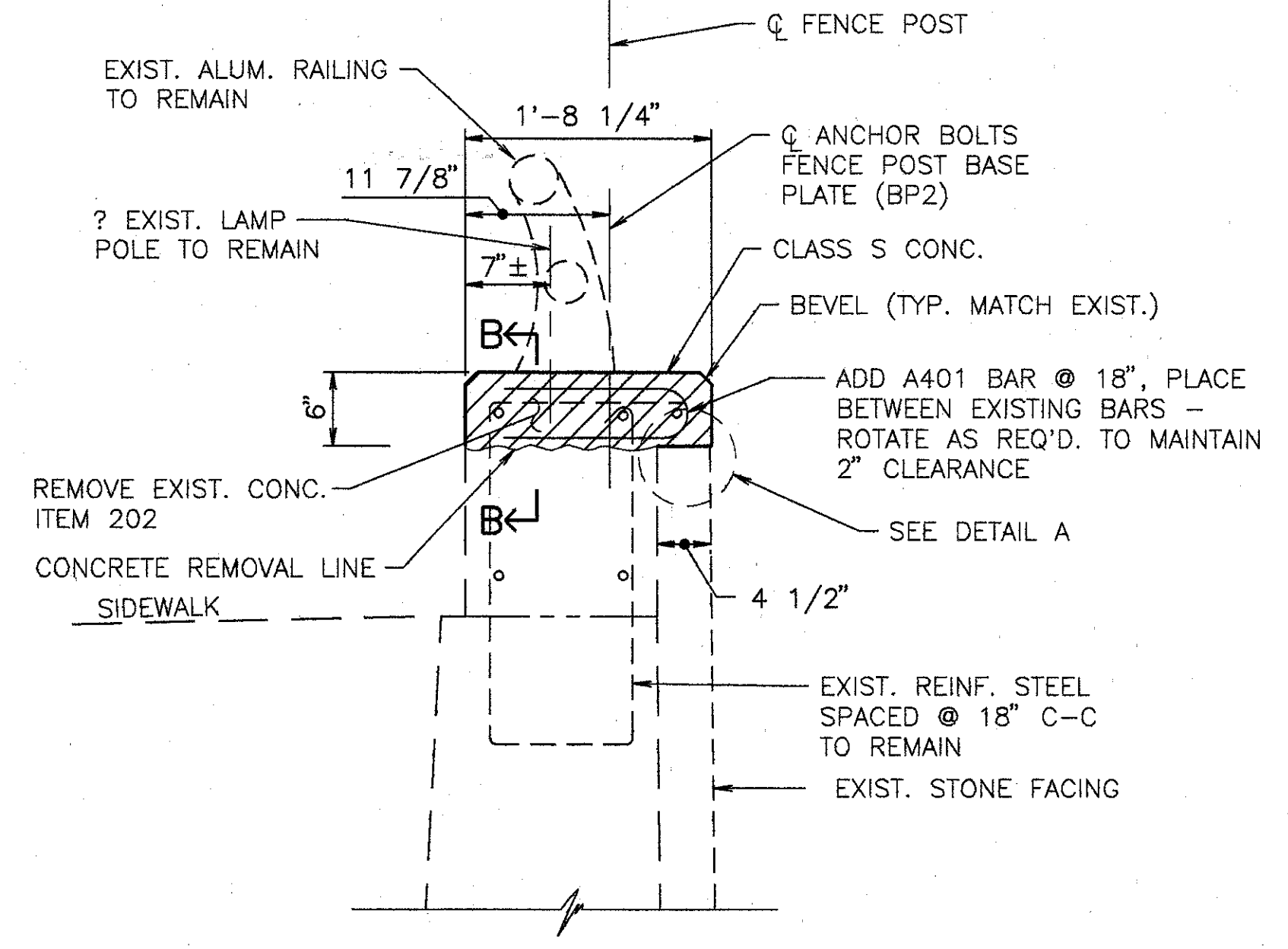
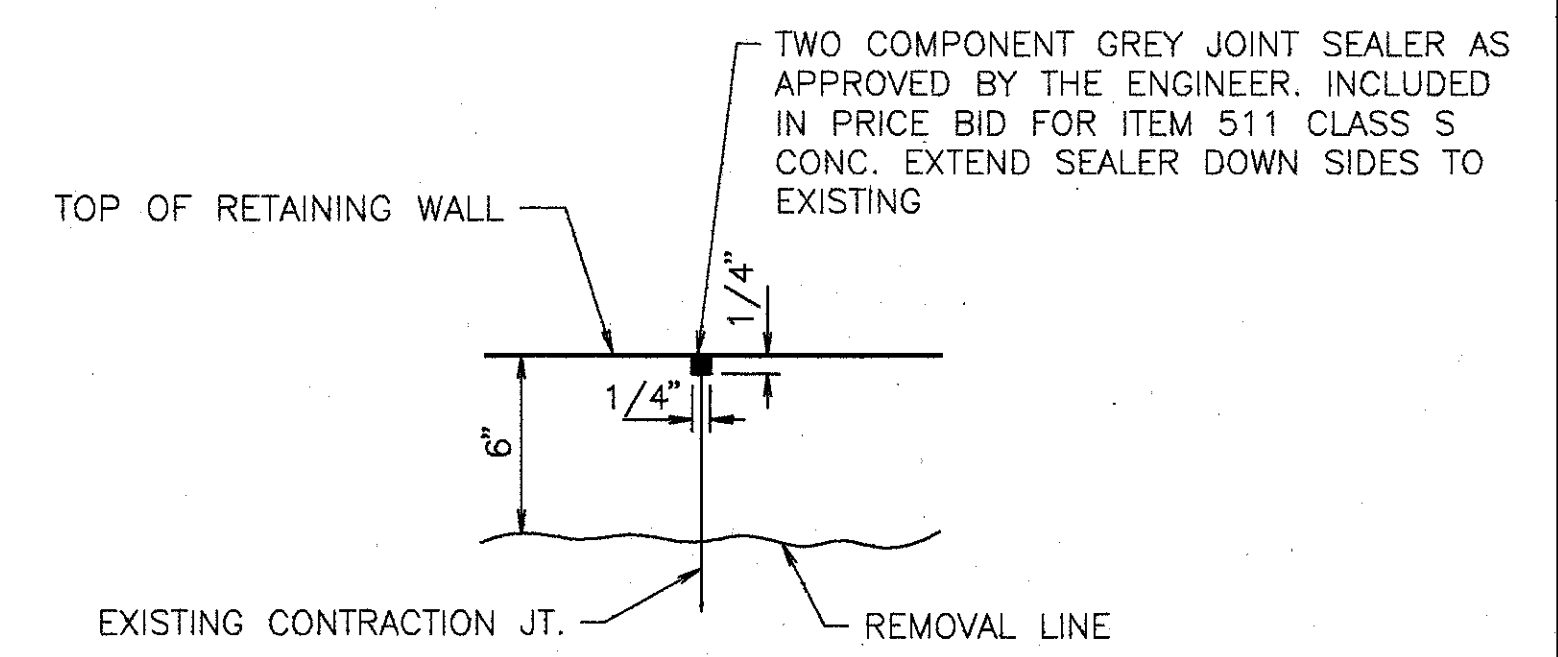
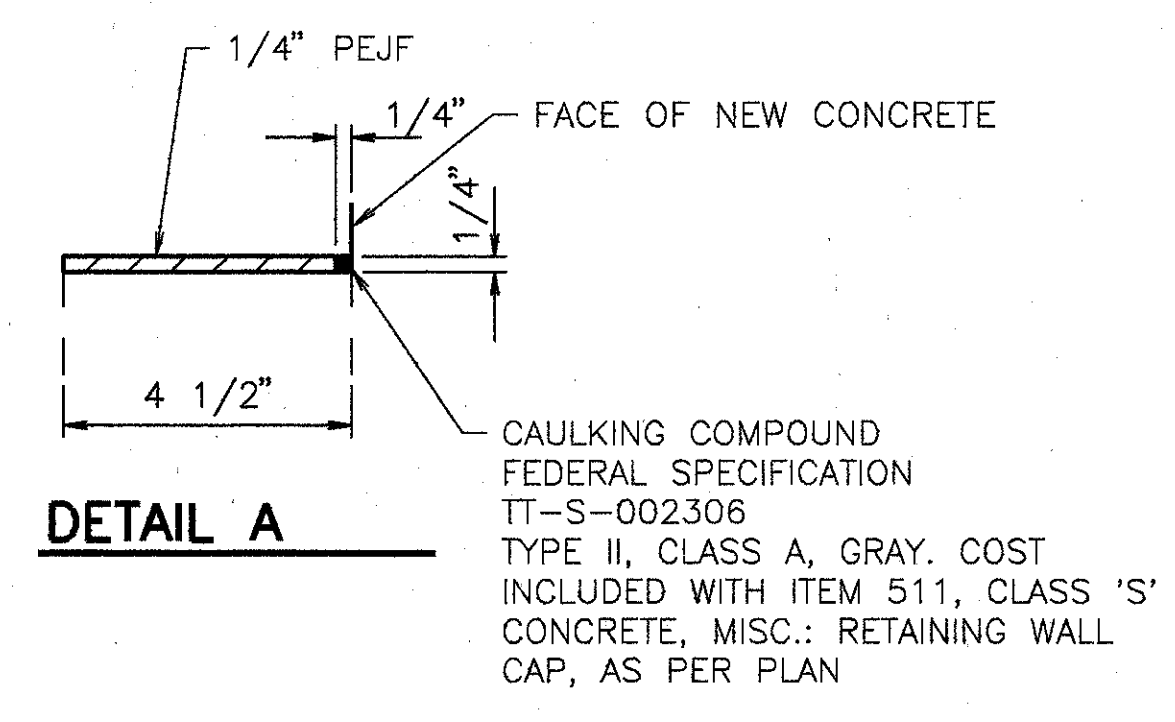
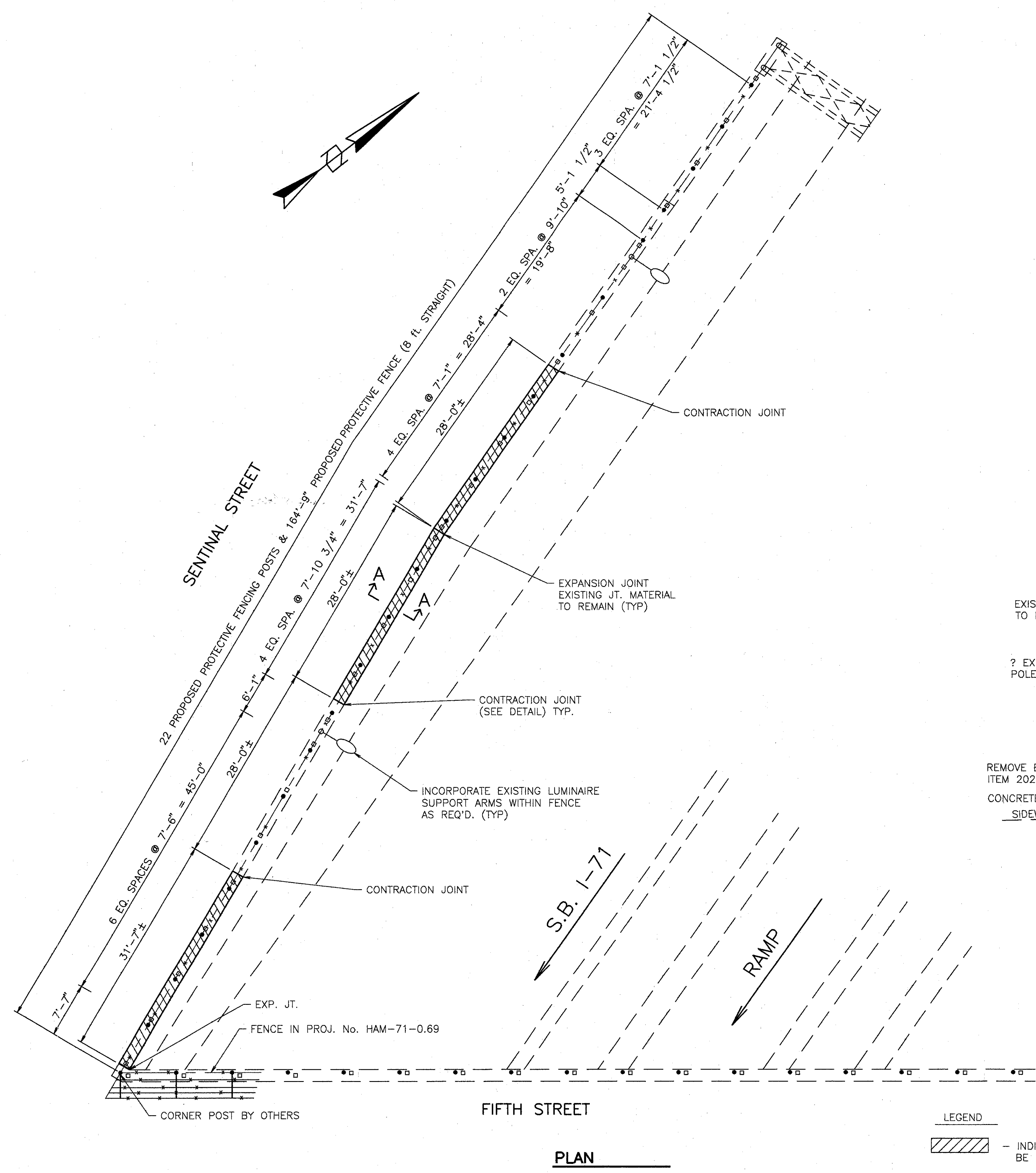
**EXPANSION JOINT DETAILS**  
 BRIDGE NO. HAM-71-0130  
 TUNNEL UNDER LYTLE PARK  
 HAMILTON COUNTY

DESIGNED	DRAWN	TRACED	CHECKED	REVIEWED	DATE	REVISED
L.A.T.M.	D.E.E.		M.A.A.	D.E.M11/11/94		

L.A.T.M. MAY 15, 1991 8:26 PM  
 G. STRAINER-COASHAND-D. DETAIL L.A.T.M. 18, 1992 8:43 AM



ITEM	ITEM EXT.	TOTAL	UNITS	DESCRIPTION
202	11200	LUMP SUM	L.S.	PORTIONS OF STRUCTURE REMOVED
509	15820	137	LBS.	EPOXY COATED REINFORCING STEEL, GRADE 60
511	34450	4	C.Y.	CLASS S CONCRETE, MISC: RETAINING WALL CAP, AS PER PLAN
516	14600	30	L.F.	MISC. STRUCTURAL JOINT OR JOINT SEALER: 2"x4" SEALER, AS PER PLAN.
516	14600	21	L.F.	MISC. STRUCTURAL JOINT OR JOINT SEALER: 3"x5" SEALER, AS PER PLAN.
SPECIAL	60739910	165	L.F.	VANDAL PROTECTION FENCE, 8 FT. STRAIGHT, COATED FABRIC
SPECIAL	51911600	10	S.F.	PATCHING, MISC.: CERAMIC GLAZED WALL TILE



SECTION B-B  
 @ CONTRACTION JT. (SEE PLAN)

- NOTES:
- CONTRACTOR TO VERIFY ALL DIMENSIONS PRIOR TO THE START OF CONSTRUCTION.
  - FOR FENCE DETAILS AND BASE PLATE DETAILS, SEE STD. DWG. VPF-1-90.
  - EXISTING BRIDGE RAILING IS AR-1-57 WITH TYPE C POSTS.
  - USE BP-2 BASE PLATE AND PS-3 POST SECTION.
  - CONTRACTOR SHALL PROVIDE TEMPORARY OUTRIGGERS WITH NETS, SHEETING OR OTHER MATERIAL AS APPROVED BY THE PROJECT ENGINEER TO PROTECT THE PUBLIC IN THE REMOVAL AND REPLACEMENT OF THE RETAINING WALL CAP. PRICE TO BE INCLUDED IN THE PRICE BID FOR ITEM 202.

LEGEND  
 [Hatched Box] - INDICATES CONCRETE CAP TO BE REMOVED & REPLACED.

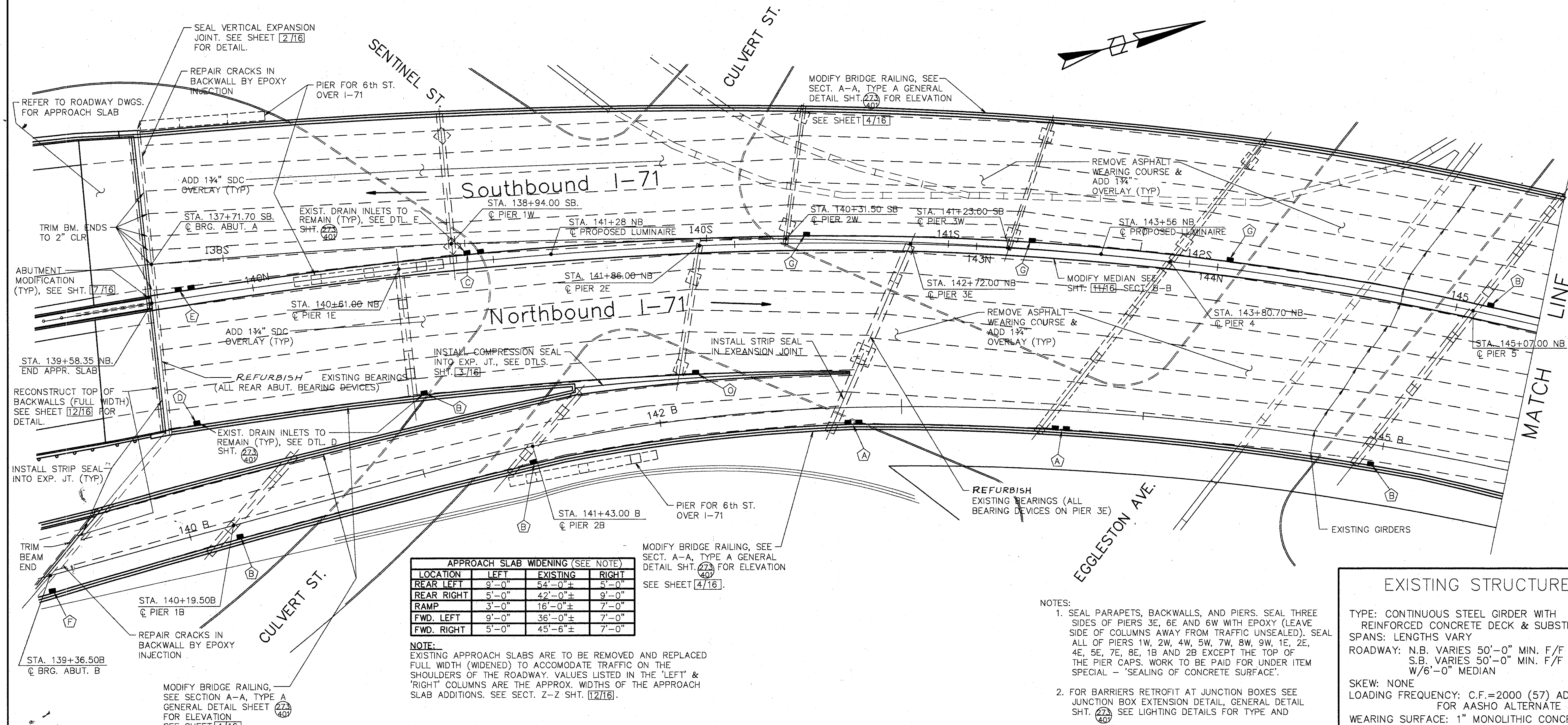
**WOOLPERT CONSULTANTS**  
 409 E. MONUMENT AVENUE  
 DAYTON, OHIO 45402-1226  
 (513) 461-5660

**RETAINING WALL: FENCING & CONCRETE CAP REPAIR**  
 BRIDGE NO. HAM-71-0130  
 TUNNEL UNDER LYTLE PARK  
 HAMILTON COUNTY

DESIGNED	DRAWN	TRACED	CHECKED	REVIEWED	DATE	REVISED
D.E.M.	D.E.E.		M.A.A.	D.E.M11/11/94		

Plot: MAY 15, 1991 @ 5:29 PM  
 C:\STRA\1656-03\SUBMIT\1-012.Lot Revision By: D.E.E. APR. 12, 1994 @ 10:45 AM

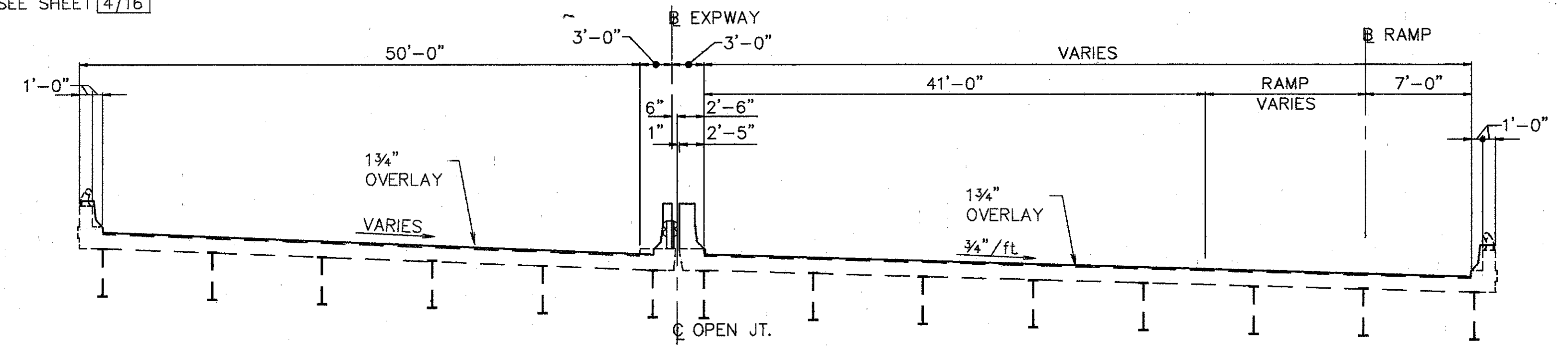




APPROACH SLAB WIDENING (SEE NOTE)

LOCATION	LEFT	EXISTING	RIGHT
REAR LEFT	9'-0"	54'-0"±	5'-0"
REAR RIGHT	5'-0"	42'-0"±	9'-0"
RAMP	3'-0"	16'-0"±	7'-0"
FWD. LEFT	9'-0"	36'-0"±	7'-0"
FWD. RIGHT	5'-0"	45'-6"±	7'-0"

NOTE:  
 EXISTING APPROACH SLABS ARE TO BE REMOVED AND REPLACED FULL WIDTH (WIDENED) TO ACCOMMODATE TRAFFIC ON THE SHOULDERS OF THE ROADWAY. VALUES LISTED IN THE 'LEFT' & 'RIGHT' COLUMNS ARE THE APPROX. WIDTHS OF THE APPROACH SLAB ADDITIONS. SEE SECT. Z-Z SHT. 12/16.



TYP. BRIDGE SECTION

NOTES:

- SEAL PARAPETS, BACKWALLS, AND PIERS. SEAL THREE SIDES OF PIERS 3E, 6E AND 6W WITH EPOXY (LEAVE SIDE OF COLUMNS AWAY FROM TRAFFIC UNSEALED). SEAL ALL OF PIERS 1W, 2W, 4W, 5W, 7W, 8W, 9W, 1E, 2E, 4E, 5E, 7E, 8E, 1B AND 2B EXCEPT THE TOP OF THE PIER CAPS. WORK TO BE PAID FOR UNDER ITEM SPECIAL - 'SEALING OF CONCRETE SURFACE'.
- FOR BARRIERS RETROFIT AT JUNCTION BOXES SEE JUNCTION BOX EXTENSION DETAIL, GENERAL DETAIL SHT. 47/49. SEE LIGHTING DETAILS FOR TYPE AND LOCATION.

- LEGEND
- DRAINAGE PIPING MODIFICATION
- (A) - INDICATES TYPE A MODIFICATION AS SHOWN ON SHT. 15&16/16
  - (O) - INDICATES NO WORK REQUIRED

FOR DRAINAGE PIPING REQUIREMENTS SEE GENERAL NOTE ON SHT. 27/49 & FOR DRAINAGE PIPING DETAILS AND APPROXIMATE NUMBER OF LINEAR FEET OF PIPE TO BE MODIFIED SEE SHT'S 15&16/16

EXISTING STRUCTURE

TYPE: CONTINUOUS STEEL GIRDER WITH REINFORCED CONCRETE DECK & SUBSTRUCTURE SPANS: LENGTHS VARY  
 ROADWAY: N.B. VARIES 50'-0" MIN. F/F CURBS S.B. VARIES 50'-0" MIN. F/F CURBS W/6'-0" MEDIAN  
 SKEW: NONE  
 LOADING FREQUENCY: C.F.=2000 (57) ADEQUATE FOR AASHO ALTERNATE LOADING  
 WEARING SURFACE: 1" MONOLITHIC CONCRETE  
 APPROACH SLABS: AS-1-54 (25'-0" LONG)  
 ALIGNMENT: VARIES, SEE PLAN  
 SUPERELEVATION: VARIES, SEE PLAN  
 CURB: 1'-0" EACH SIDE

**WOOLPERT CONSULTANTS**  
 409 E. MONUMENT AVENUE  
 DAYTON, OHIO 45402-1226  
 (513) 461-5660

GENERAL PLAN

BRIDGE NO. HAM-71-0154 OVER S.B. I-471  
 HAMILTON COUNTY

DESIGNED	DRAWN	TRACED	CHECKED	REVIEWED	DATE	REVISED
L.A.T.M.	D.E.E.		M.A.A.	D.E.M11/11/94		

L.A.T.M. MAY 21, 1991 @ 10:38 AM  
 G:\STRA\9409-04\HAMILTON\15&16\1111.Lot Revision Dv. RACH OCT. 1, 1992 @ 10:02 AM

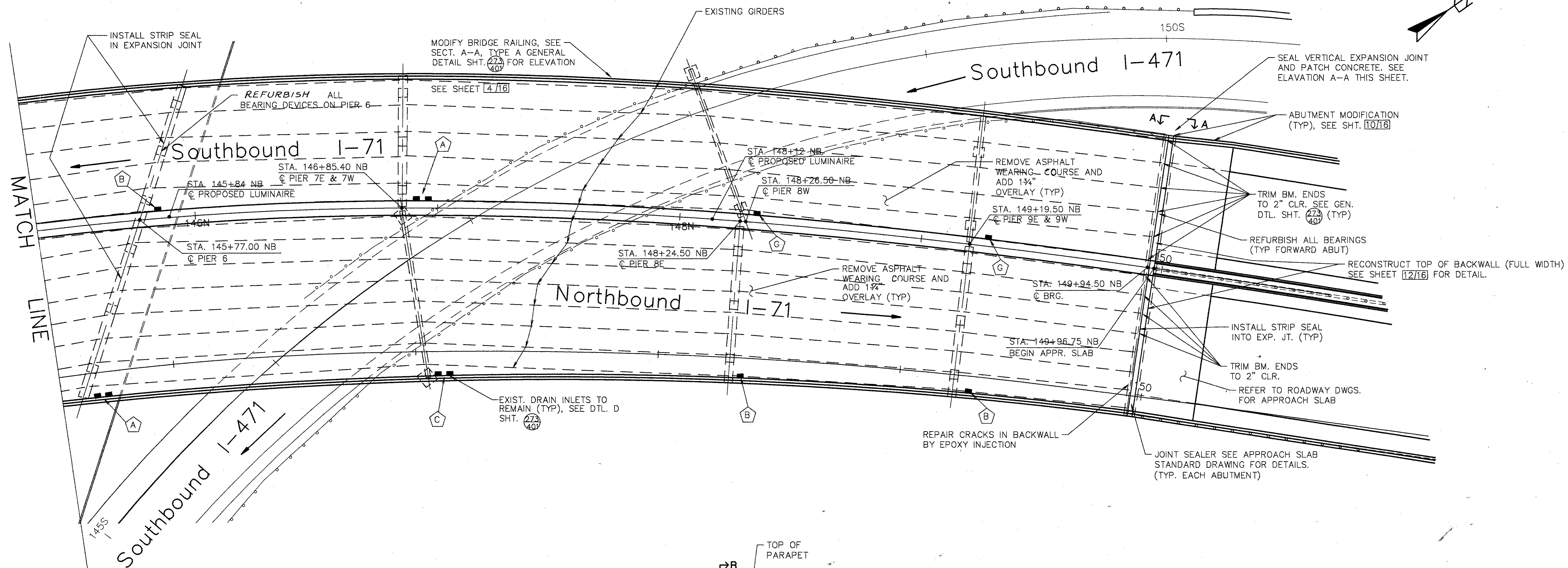
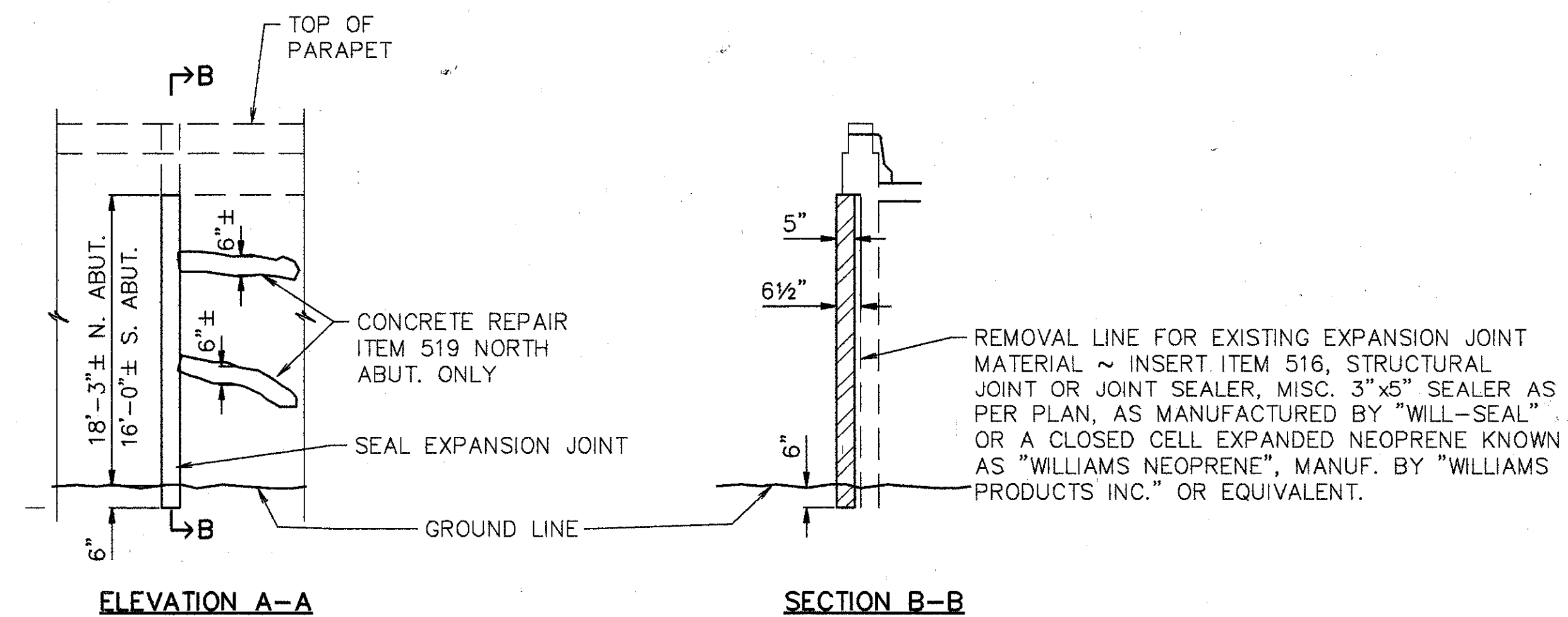


TABLE OF SPAN LENGTHS *							
N.B. ROADWAY		S.B. ROADWAY		RAMP B		N.B. & S.B. ROADWAY	
SPAN	LENGTH	SPAN	LENGTH	SPAN	LENGTH	SPAN	LENGTH
1E	100.4'	1W	122.3'	1B	83'	5E&W	126.3'
2E	125'	2W	137.5'	2B	128.5'	6E&W	70'
3E	86'	3W	91.5'	3B	125.9'	7E&W	108.4'
4E	108.7'	4W	69.3'			10E&W	75'
8E	139.1'	8W	141.1'				
9E	95'	9W	93'				

\* MEASURED ALONG BASELINE



SEAL EXPANSION JOINT & PATCHING DETAIL  
 (NORTH ABUTMENT SHOWN ~ SOUTH ABUTMENT SIMILAR EXCEPT AS SHOWN)

FOR DRAINAGE PIPING MODIFICATION LEGEND AND NOTES SEE SHT. 1/16

**WOOLPERT CONSULTANTS**  
 409 E. MONUMENT AVENUE  
 DAYTON, OHIO 45402-1226  
 (513) 461-5660

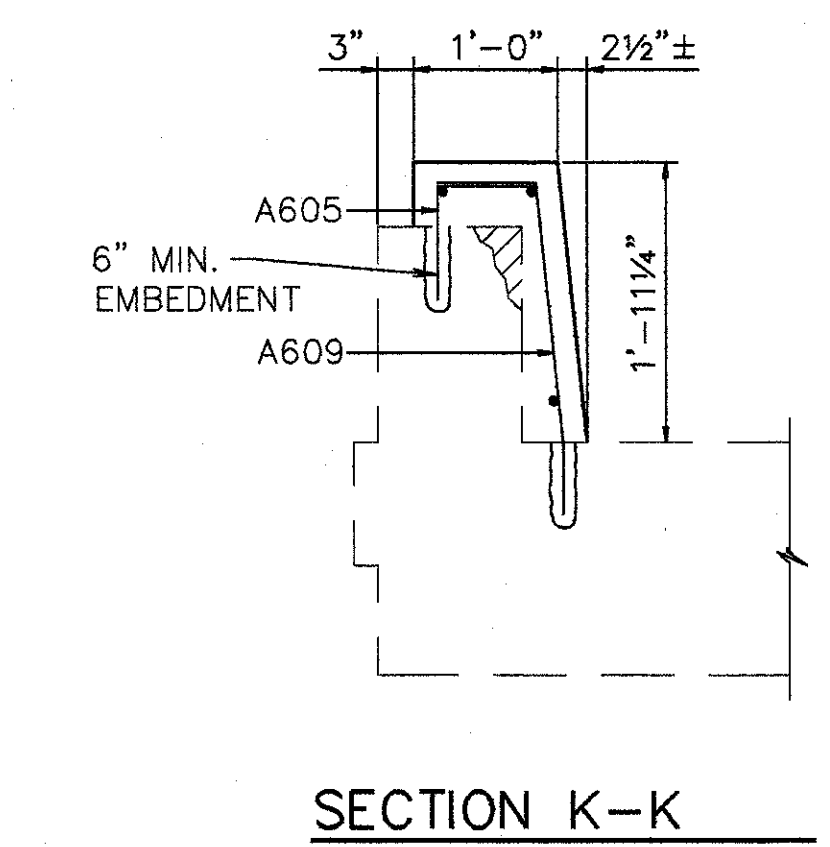
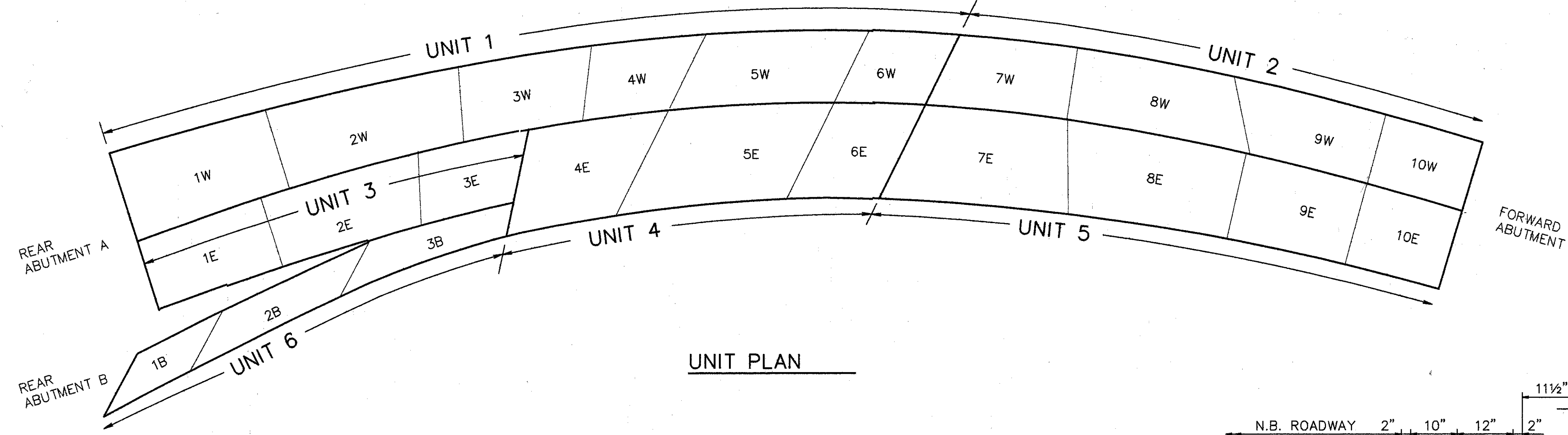
GENERAL PLAN

BRIDGE NO. HAM-71-0154  
 OVER S.B. 471

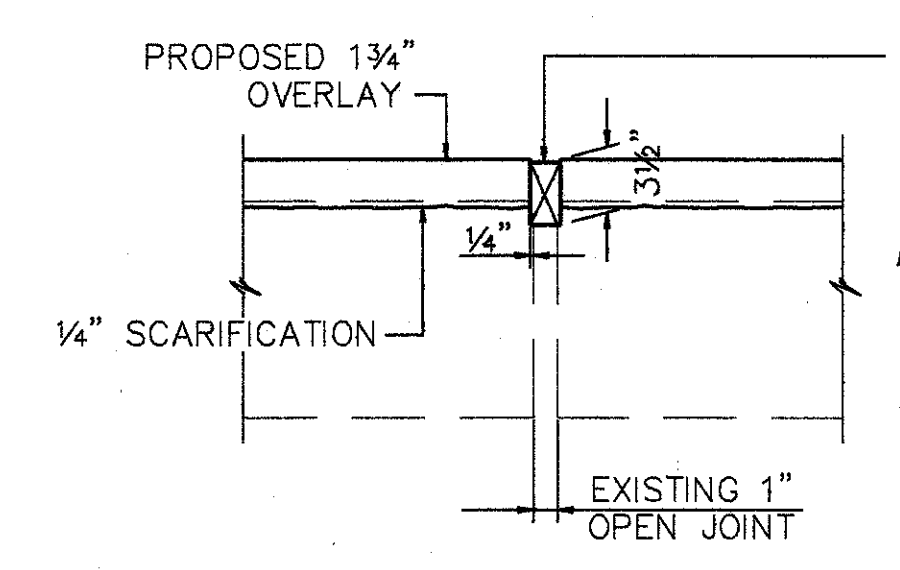
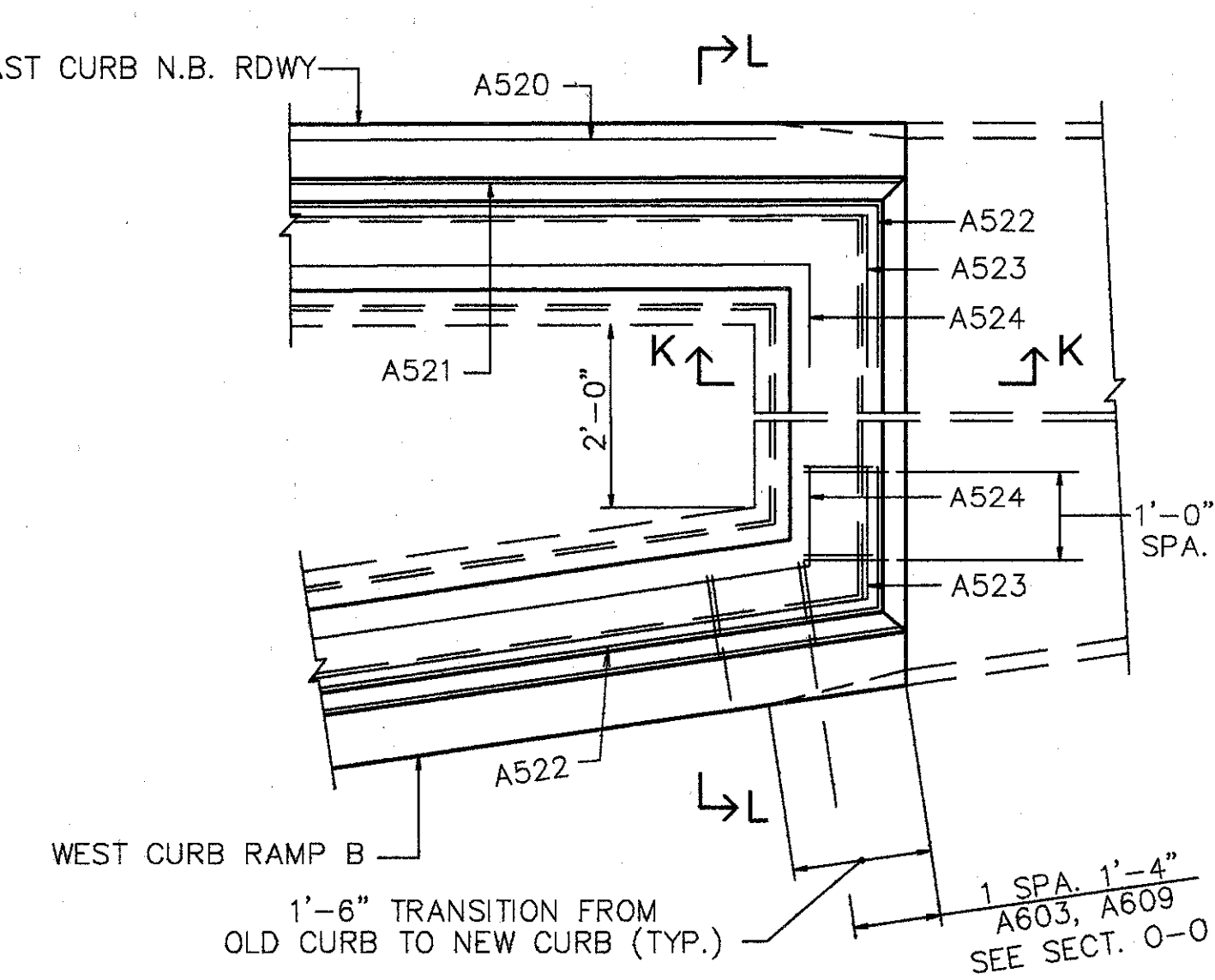
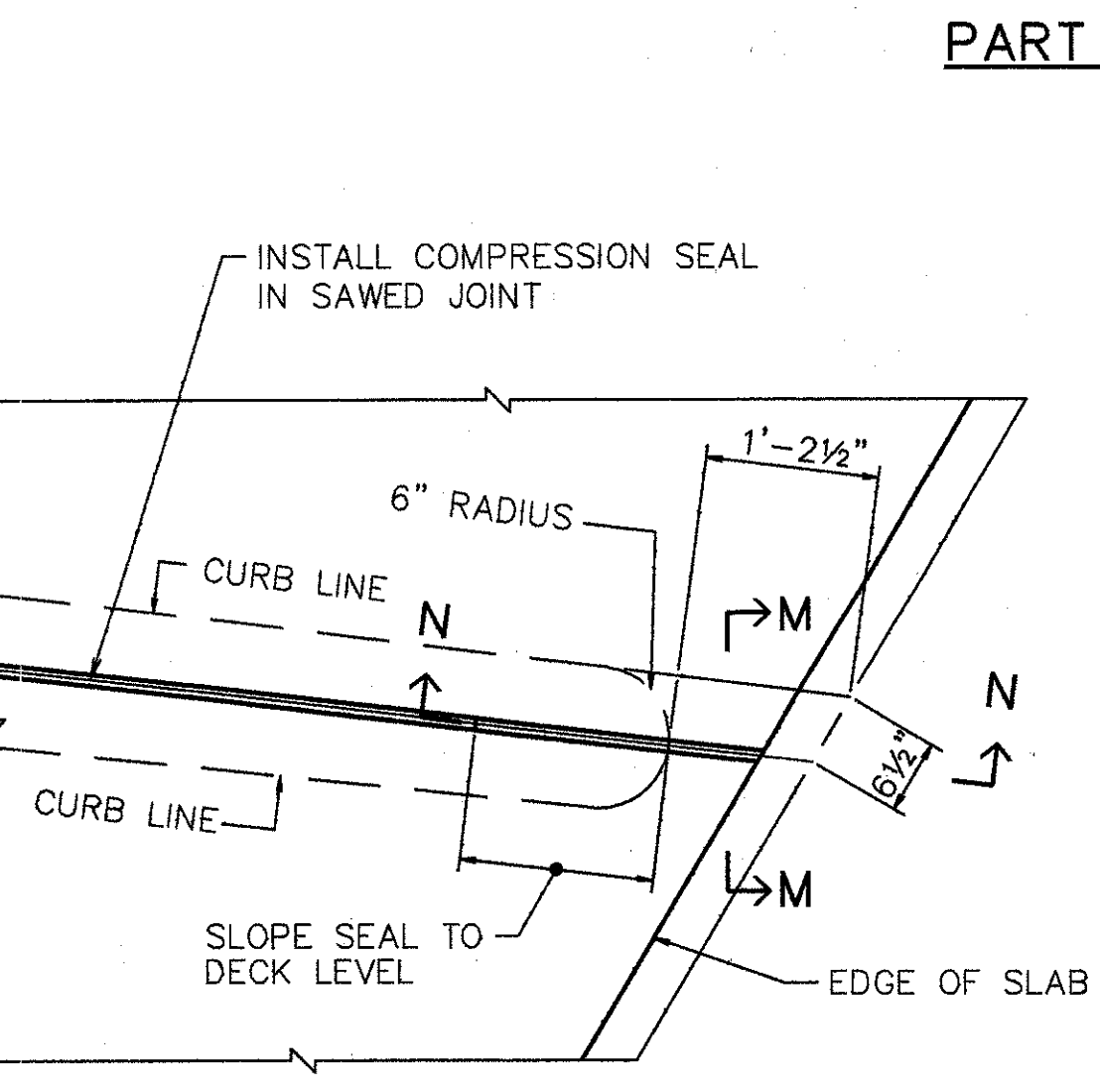
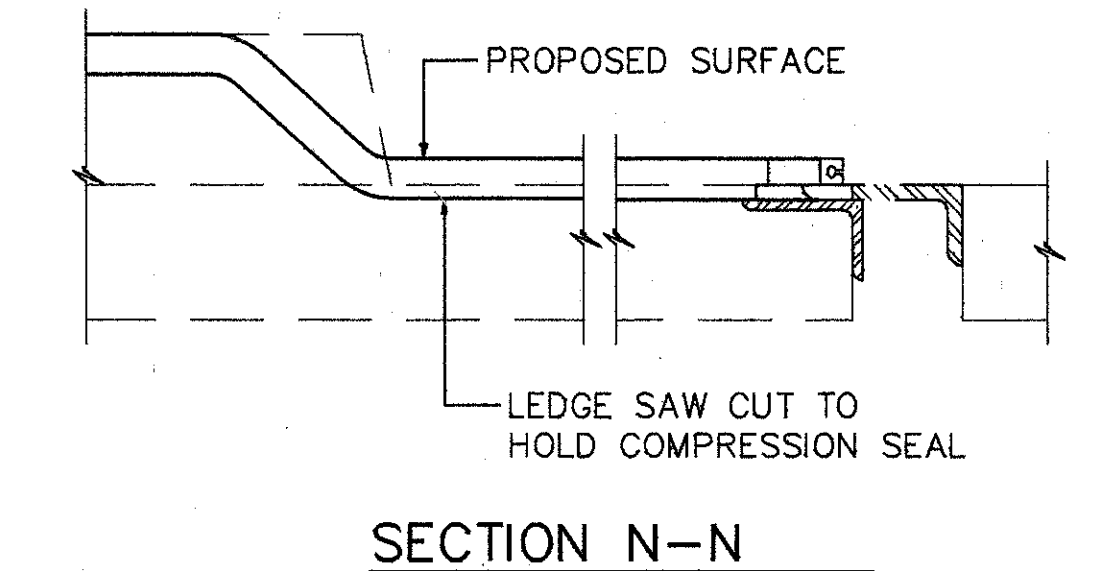
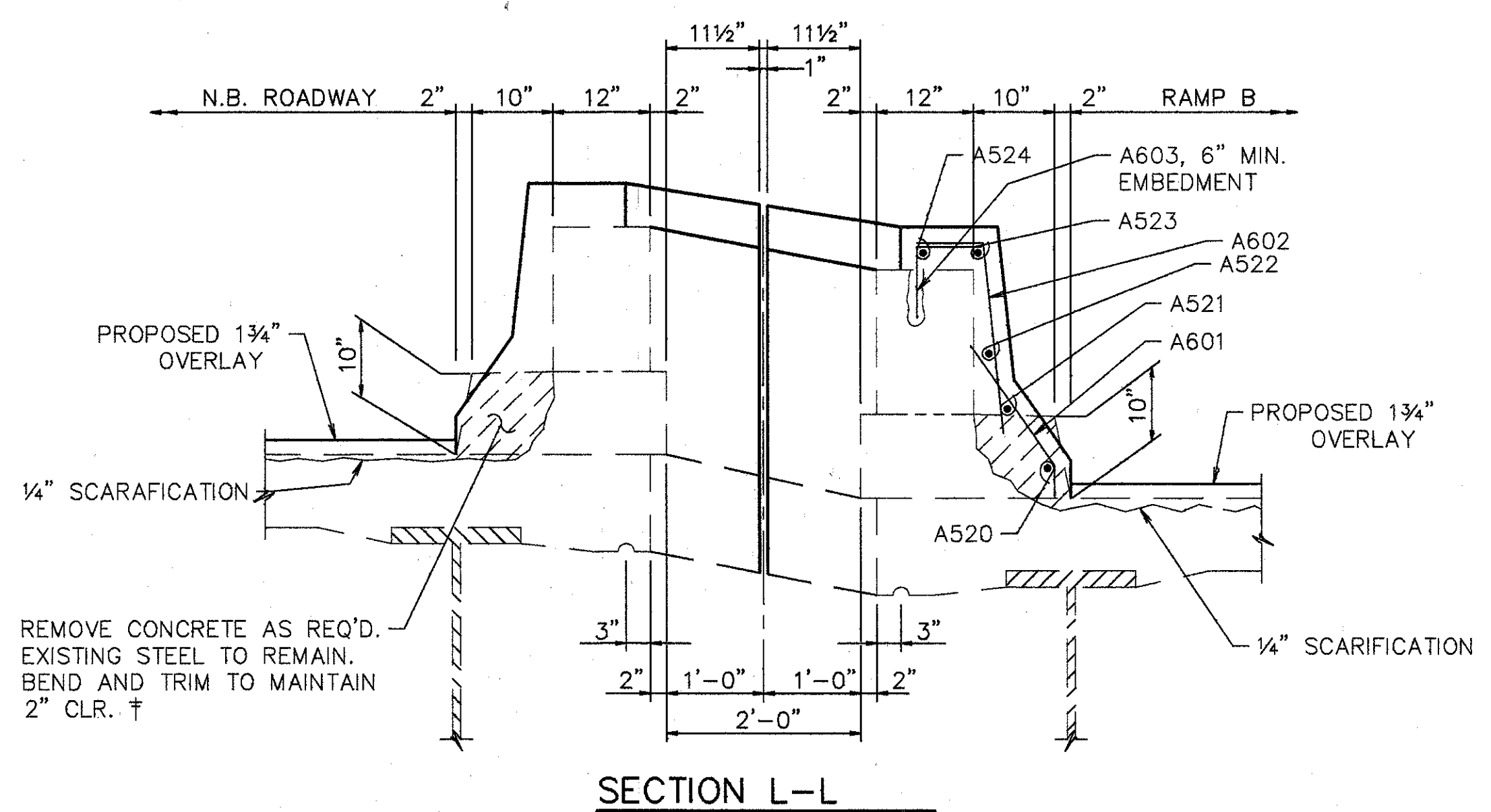
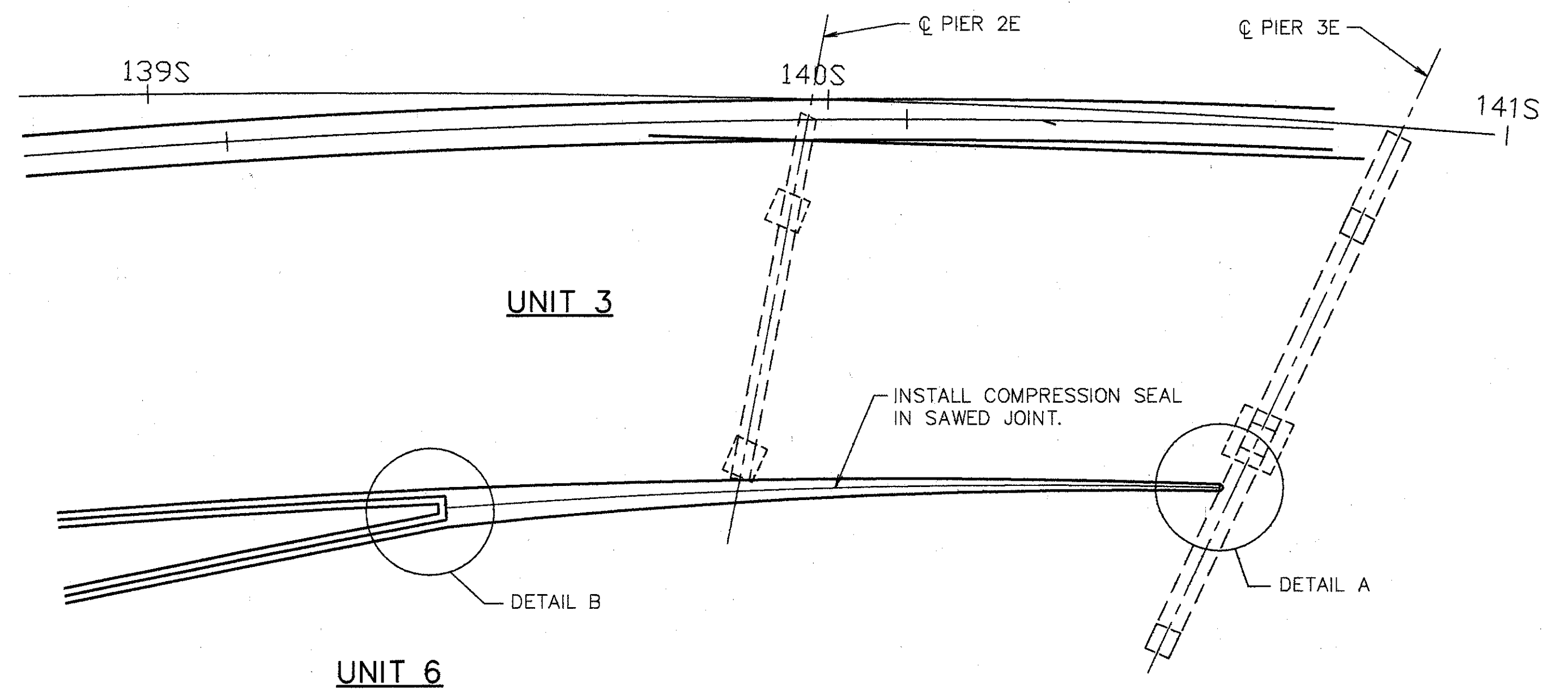
HAMILTON COUNTY

DESIGNED	DRAWN	TRACED	CHECKED	REVIEWED	DATE	REVISED
L.A.T.M.	D.E.E.		M.A.A.	D.E.M.	11/94	

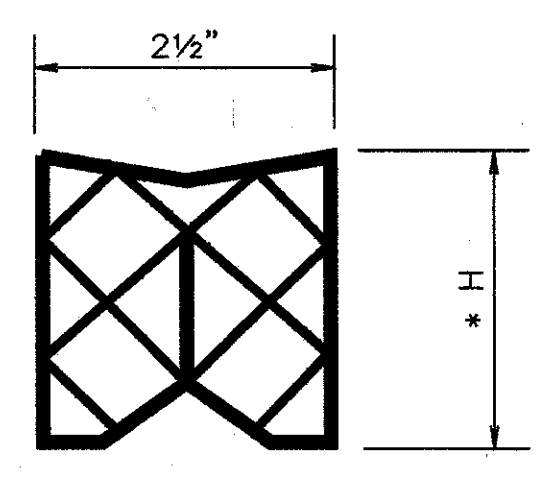




† BARS SHALL REMAIN. CONTRACTOR SHALL EXERCISE CAUTION TO ENSURE THAT THESE BARS ARE NOT DAMAGED DURING THE CONCRETE REMOVAL OPERATION. ANY BARS DAMAGED AS A RESULT OF THE CONTRACTOR'S OPERATION, SHALL BE REPLACED OR REPAIRED BY THE CONTRACTOR AT HIS EXPENSE. METHOD OF REPAIR OR REPLACEMENT WILL BE AT THE DISCRETION OF THE DIRECTOR.



**SECTION M-M**



**COMPRESSION SEAL DETAIL**

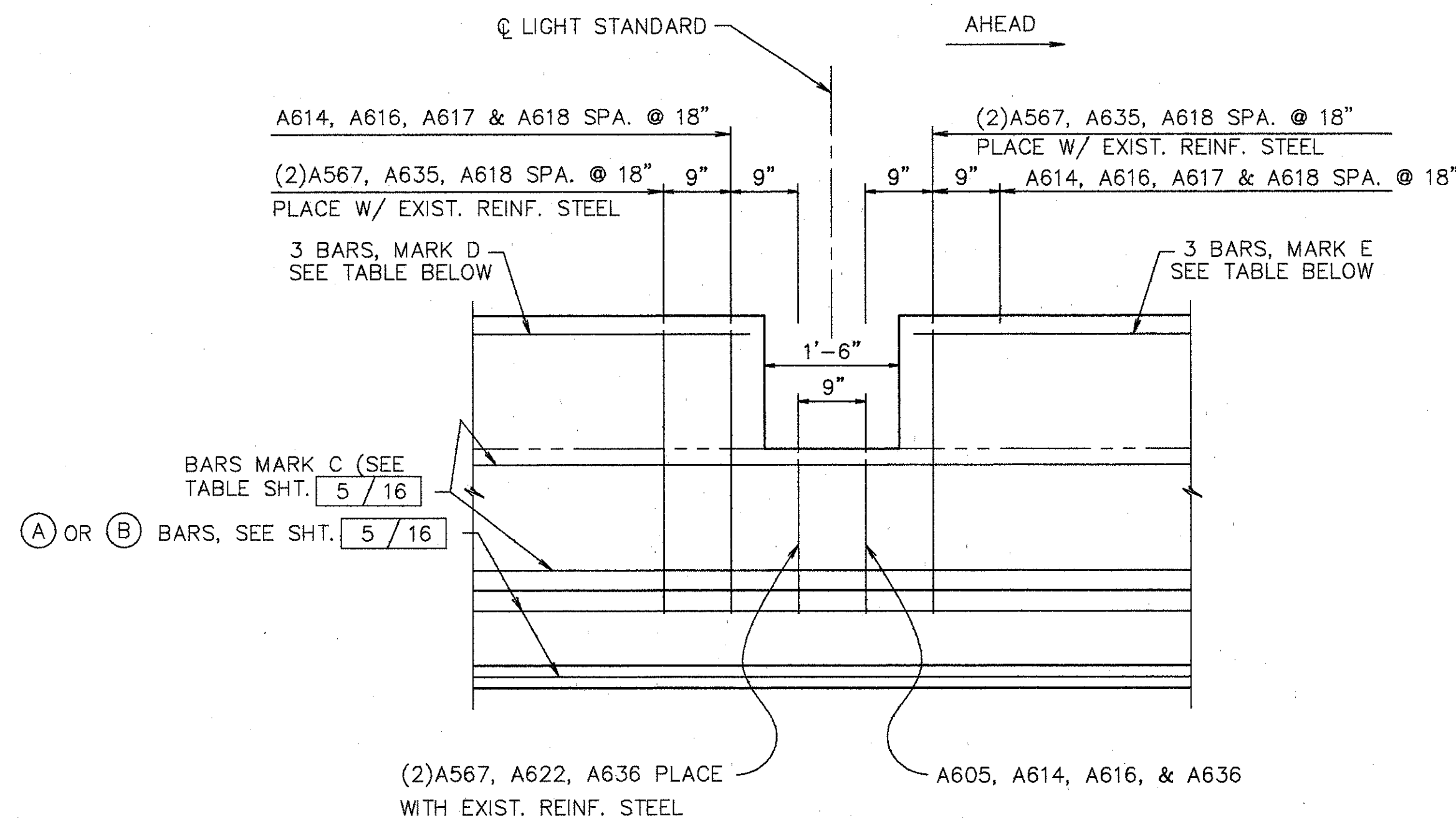
**NOTES**

- WATSON BOWMAN'S WJ-250, D.S. BROWN'S CV-2502, ELASTOMER SEALS, INC.'S SM-2500, OR AN APPROVED ALTERNATE.
- PLACEMENT OF COMPRESSION SEAL SHALL BE ACCORDING TO SECTION 451.13 & SHALL MEET REQUIREMENTS OF 705.11.
- \* SEE MANUFACTURER'S CATALOG

	<b>WOOLPERT CONSULTANTS</b> 409 E. MONUMENT AVENUE DAYTON, OHIO 45402-1228 (513) 461-5660	3 / 16
	<h2>CURB SECTIONS</h2>	
	BRIDGE NO. HAM-71-0154 OVER S.B. 471	

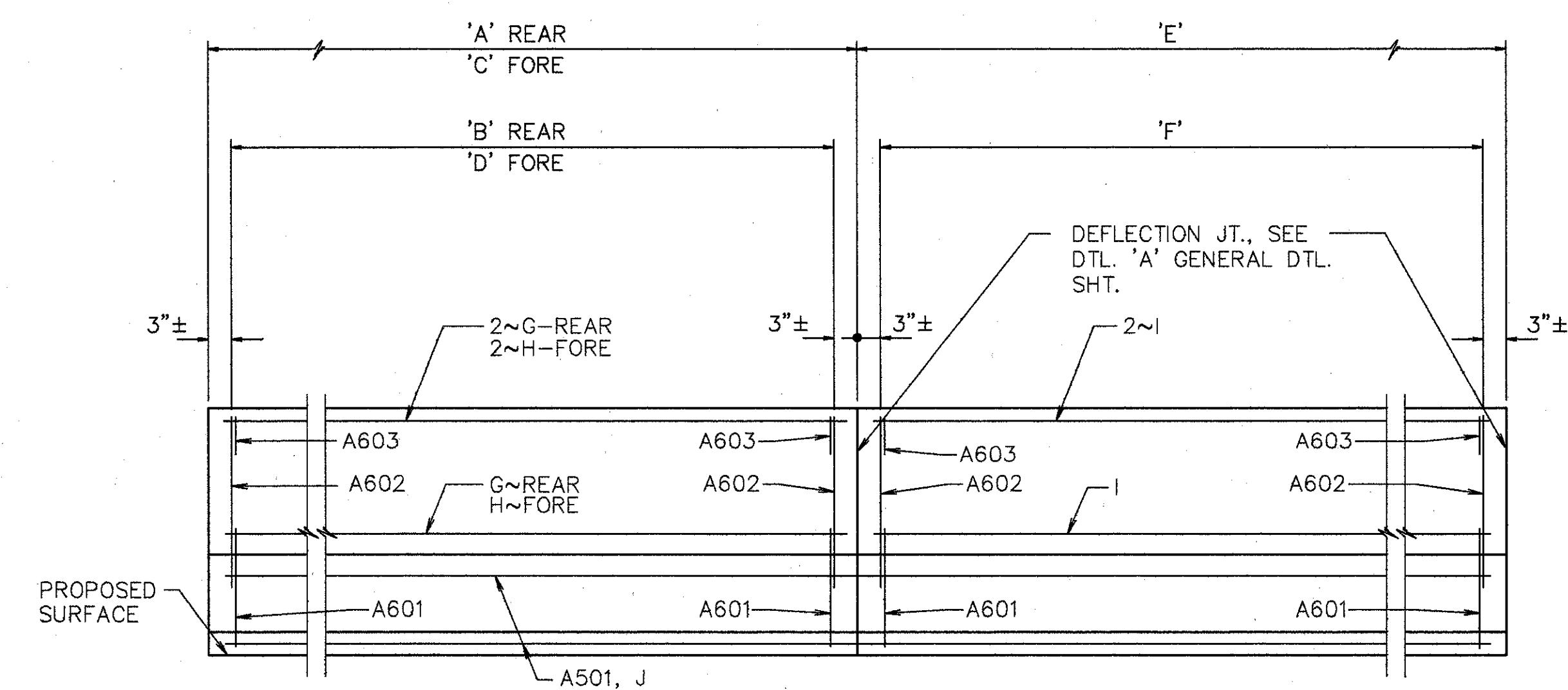
**HAMILTON COUNTY**  
 DESIGNED: L.A.T.M.    DRAWN: D.E.E.    TRACED:    CHECKED: M.A.A.    REVIEWED: D.E.M11/11/94    DATE:    REVISED:

Lead File: M11/11/94 @ 10:40 AM  
 C:\STRENGTH\CONV\CONV\CONS\CONS1.Lstl Reason By: D.E.E. APR. 14. 1993 @ 1:55 PM



ELEVATION SUPERSTRUCTURE PARAPET AT LIGHT STANDARD

STA. @ Q LAMP POST	PANEL TYPE	BAR MARK	
		D	E
141+28	Q	A569	A570
143+56	D	A571	A572
145+84	Q	A573	A574
148+12	P	A575	A575



ELEVATION SUPERSTRUCTURE PARAPET

LOCATION	REAR	FORE	INT	MARK			
	A	C	E	G	H	I	J
	B	D	F				
UNIT 1~LEFT WALL	15'-10 1/2" 13 SPA. @ 1'-2 1/4"	14'-4 7/8" 12 SPA. @ 1'-2"	37~17'-0" 14 SPA. @ 1'-2 1/4"	A505	A506	A504	A502
UNIT 2~LEFT WALL	14'-3 3/4" 12 SPA. @ 1'-1 3/4"	16'-0" 13 SPA. @ 1'-2 1/4"	22~17'-2" 14 SPA. @ 1'-2 1/4"	A506	A503	A507	A503
UNIT 3~RIGHT WALL	25'-2 7/8" 20 SPA. @ 1'-2 3/4"	15'-6" 13 SPA. @ 1'-1 3/4"	7~18'-0" 15 SPA. @ 1'-2"	A526	A524 FF A523 NF A522 NF LOW	A525	A520
UNIT 4~RIGHT WALL	14'-5 5/8" 12 SPA. @ 1'-2"	14'-5 5/8" 12 SPA. @ 1'-2"	15~17'-3" 14 SPA. @ 1'-2 1/2"	A506	A506	A507	A509
UNIT 5~RIGHT WALL	14'-6 3/8" 12 SPA. @ 1'-2"	16'-2 5/8" 13 SPA. @ 1'-2 1/2"	23~17'-5 1/2" 14 SPA. @ 1'-2 1/2"	A506	A503	A514	A510
UNIT 6~RIGHT RAMP WALL	23'-0" 19 SPA. @ 1'-2 1/4"	23'-3" 19 SPA. @ 1'-2 1/2"	17~17'-7" 14 SPA. @ 1'-2 3/4"	A512	A513	A511	A508
UNIT 6~LEFT RAMP WALL	27'-2" 22 SPA. @ 1'-2 1/2"	15'-5 3/4" 13 SPA. @ 1'-1 3/4"	9~17'-9" 14 SPA. @ 1'-2 3/4"	A512 FF A519 NF A519 NF LOW	A524 FF A523 NF A522 NF LOW	A511	A509

- NOTES:  
 RF DENOTES RIGHT FORWARD  
 LF DENOTES LEFT FORWARD  
 RR DENOTES RIGHT REAR  
 LR DENOTES LEFT REAR  
 NF DENOTES NEAR FACE  
 FF DENOTES FAR FACE  
 RM DENOTES REAR MEDIAN  
 FM DENOTES FORWARD MEDIAN  
 R DENOTES RIGHT SIDE  
 L DENOTES LEFT SIDE  
 M DENOTES MEDIAN

**WOOLPERT CONSULTANTS**  
 409 E. MONUMENT AVENUE  
 DAYTON, OHIO 45402-1226  
 (513) 461-5660

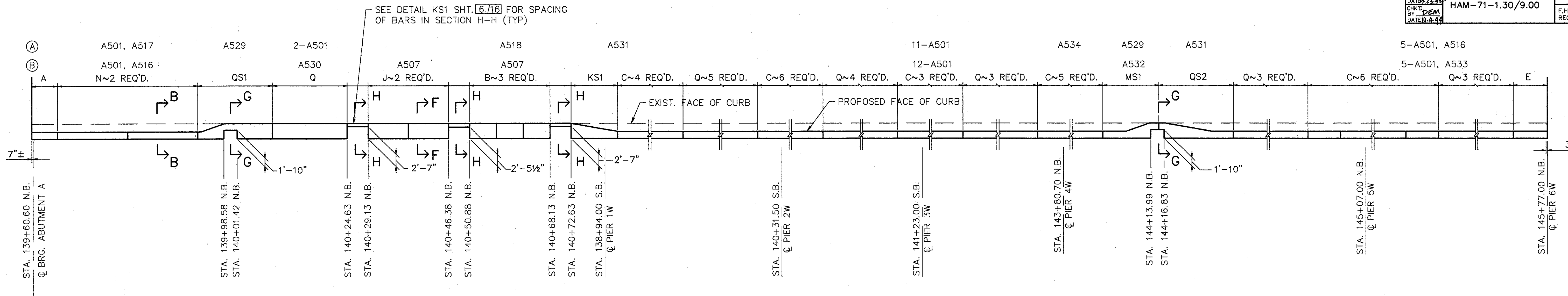
PARAPET ELEVATIONS AND CURB SECTIONS

BRIDGE NO. HAM-71-0154  
 OVER S.B. 471

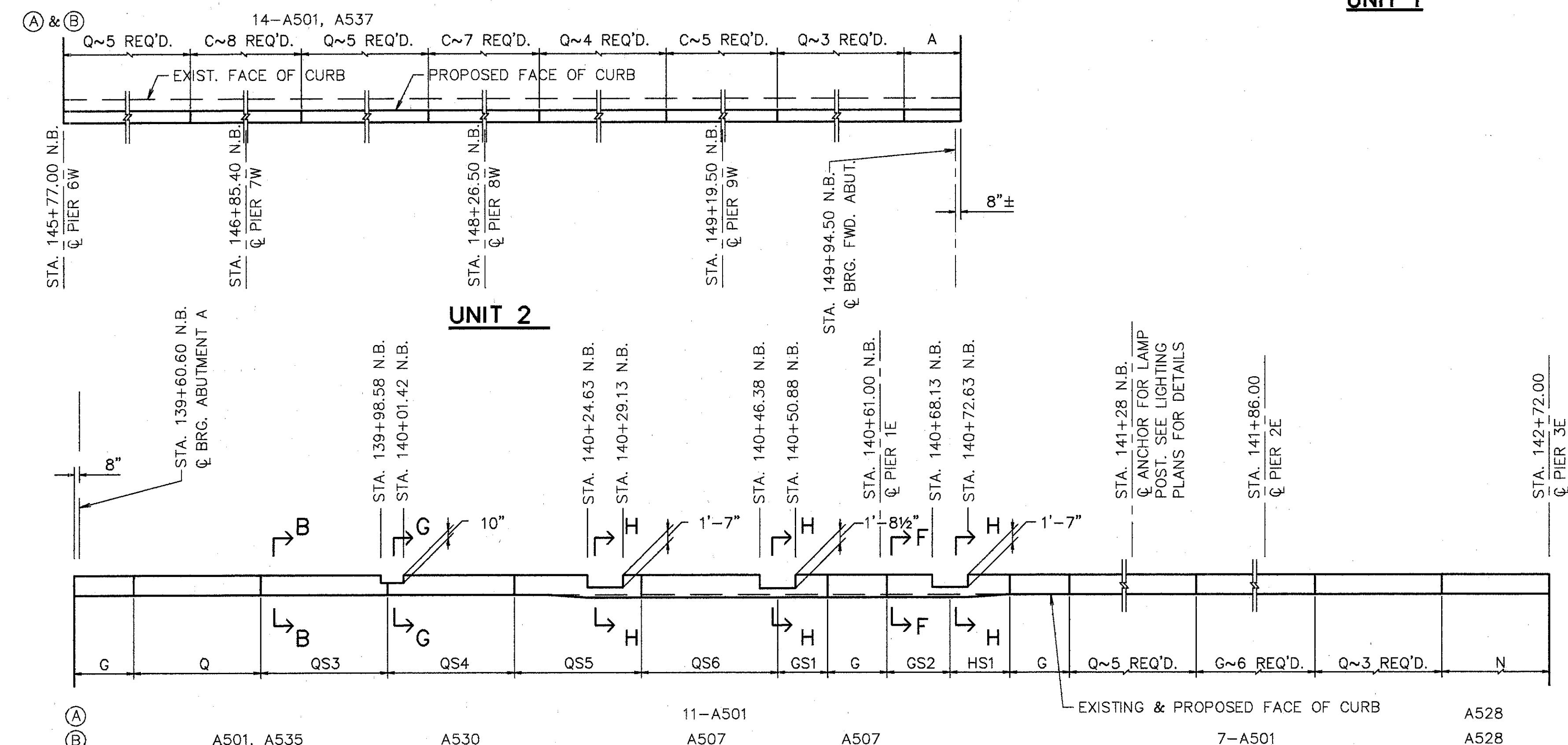
HAMILTON COUNTY

DESIGNED	DRAWN	TRACED	CHECKED	REVIEWED	DATE	REVISED
L.A.T.M.	D.E.E.		M.A.A.	D.E.M1/11/94		

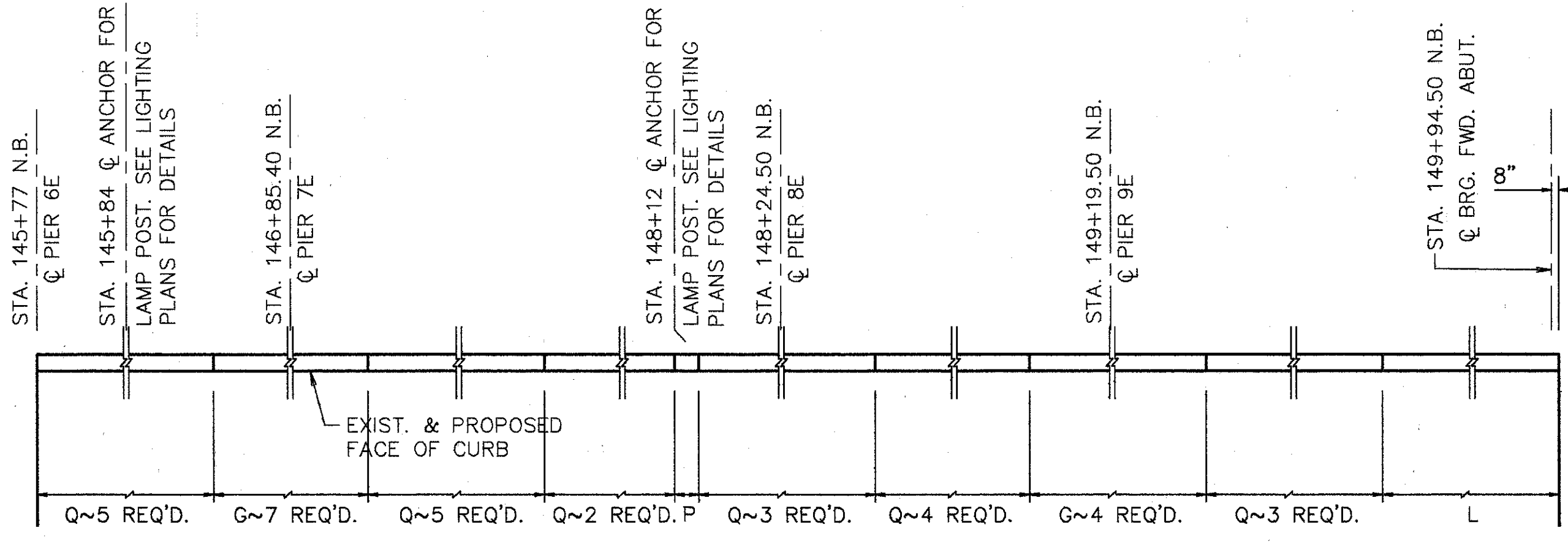




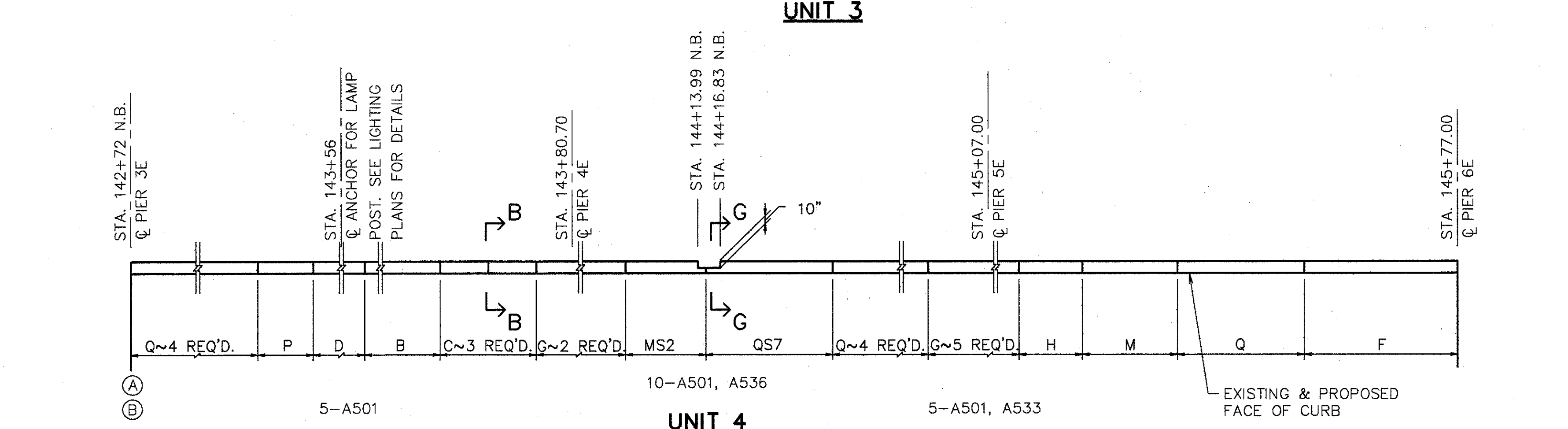
**UNIT 1**



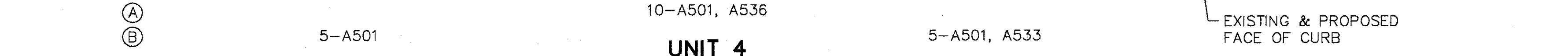
**UNIT 2**



**UNIT 5**



**UNIT 3**



**UNIT 4**

14-A501, A537  
 14-A501, A537

- NOTES:**
1. BARS (A) AND (B) ARE LOCATED IN THE CONTINUOUS PORTION OF THE PARAPET BELOW THE CONSTRUCTION JOINT. USUALLY (C) BARS ARE ABOVE THE CONSTRUCTION JOINT BETWEEN DEFLECTION JOINTS. FOR FURTHER CLARIFICATION, REFER TO SECTION B-B AND SECTION F-F ON SHT. [11/16].
  2. TRANSITIONAL SECTIONS ARE DESIGNED AS SPECIAL AND THEIR DETAILS CAN BE FOUND ON SHT. [6/16]. THE FOLLOWING IS AN EXAMPLE OF THE DESIGNATION CODING: FOR MS1, THE PARAPET TYPE IS 'M', 'S' MEANS IT IS A SPECIAL SECTION AND THAT A DETAIL IS PROVIDED AS MENTIONED ABOVE, AND '1' SEPARATES IT FROM ANOTHER SPECIAL PARAPET OF TYPE 'M' (SAY MS2).
  3. ALL MEDIAN WORK SHALL BE INCLUDED IN ITEM 511- 'CLASS S CONCRETE, SUPERSTRUCTURE (MISC. CONC. PARAPET RAILING, AS PER PLAN. COST TO REMOVE CURB INCLUDED IN THE LUMP-SUM PRICE BID FOR ITEM 202- 'PORTIONS OF STRUCTURES REMOVED'. ALL NEW STEEL IS INCLUDED IN ITEM 509.

**MEDIAN PARAPET PANEL & TYPES**

TYPE	LENGTH	#6 SPACING	MARK C
A	5'-6 1/4"	5 SPA. @ 1'-0"	A538
B	5'-9"	5 SPA. @ 1'-1"	A539
C	7'-0"	6 SPA. @ 1'-1"	A540
D	10'-3"	7 SPA. @ 1'-6"	A545
E	7'-3 1/2" ±	6 SPA. @ 1'-1 3/4"	A541
F	8'-6"	8 SPA. @ 1'-0"	A527
G	7'-6"	6 SPA. @ 1'-2"	A542
H	8'-0"	7 SPA. @ 1'-1"	A543
J	8'-7 1/2"	7 SPA. @ 1'-2"	A544
K	13'-1"	10 SPA. @ 1'-3"	A568
L	11'-2"	9 SPA. @ 1'-2 1/4"	A546
M	12'-0"	10 SPA. @ 1'-2"	A547
N	13'-7"	11 SPA. @ 1'-2 1/4"	A548
P	15'-0"	10 SPA. @ 1'-6"	A549
Q	16'-0"	13 SPA. @ 1'-2 1/4"	A503

\* FOR PANEL WITH LIGHT STANDARD, SEE SECTION ON SHT. [11/16] AND FOR ELEVATION SEE SHT. [4/16]

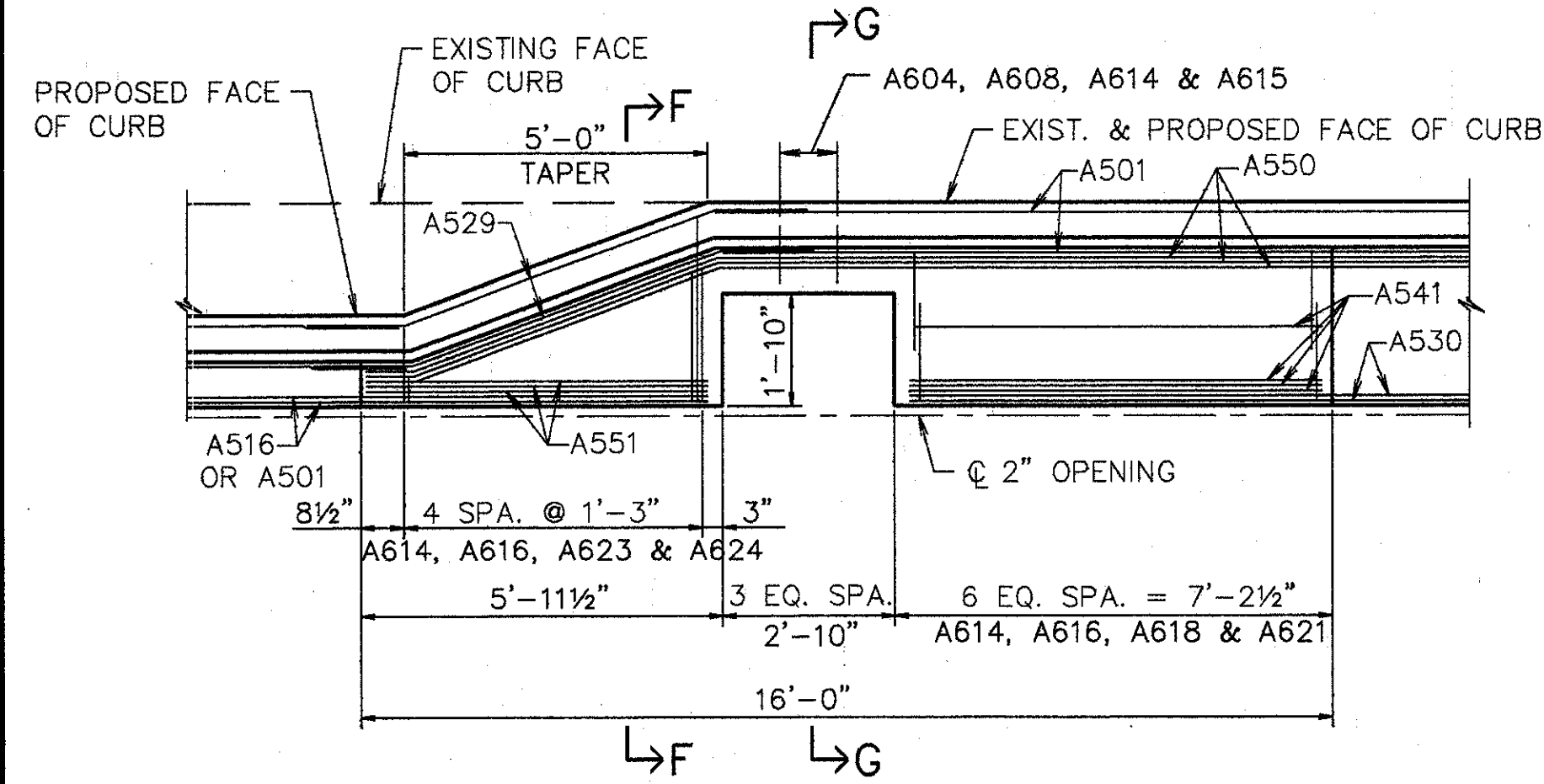
**WOOLPERT CONSULTANTS**  
 409 E. MONUMENT AVENUE  
 DAYTON, OHIO 45402-1226  
 (513) 461-5660

**MEDIAN DETAILS**  
**PLAN VIEWS**  
 BRIDGE NO. HAM-71-0154  
 OVER S.B. 471  
 HAMILTON COUNTY

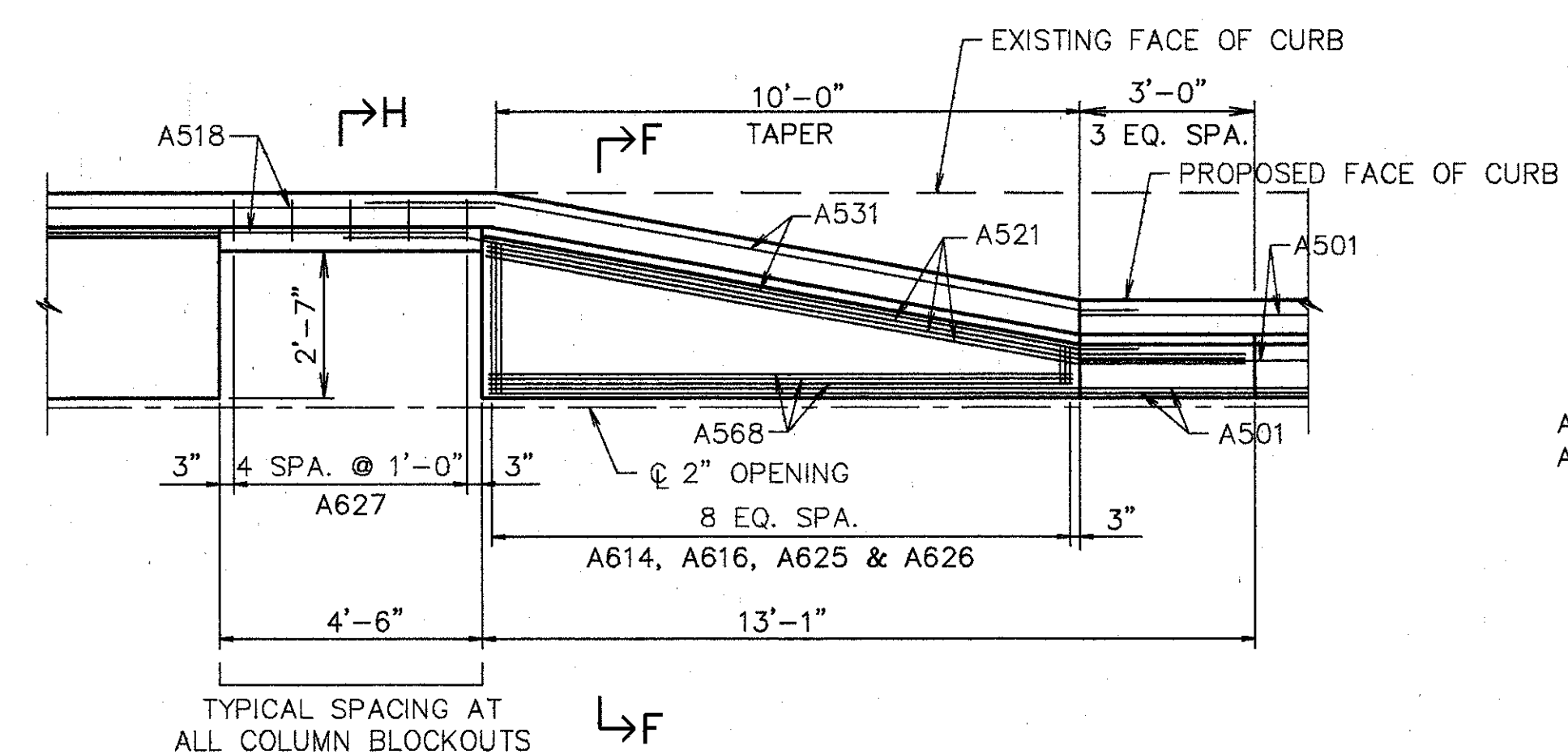
DESIGNED	DRAWN	TRACED	CHECKED	REVIEWED	DATE	REVISED
L.A.T.M.	D.E.E.		M.A.A.	D.E.M11/11/94		

5/16

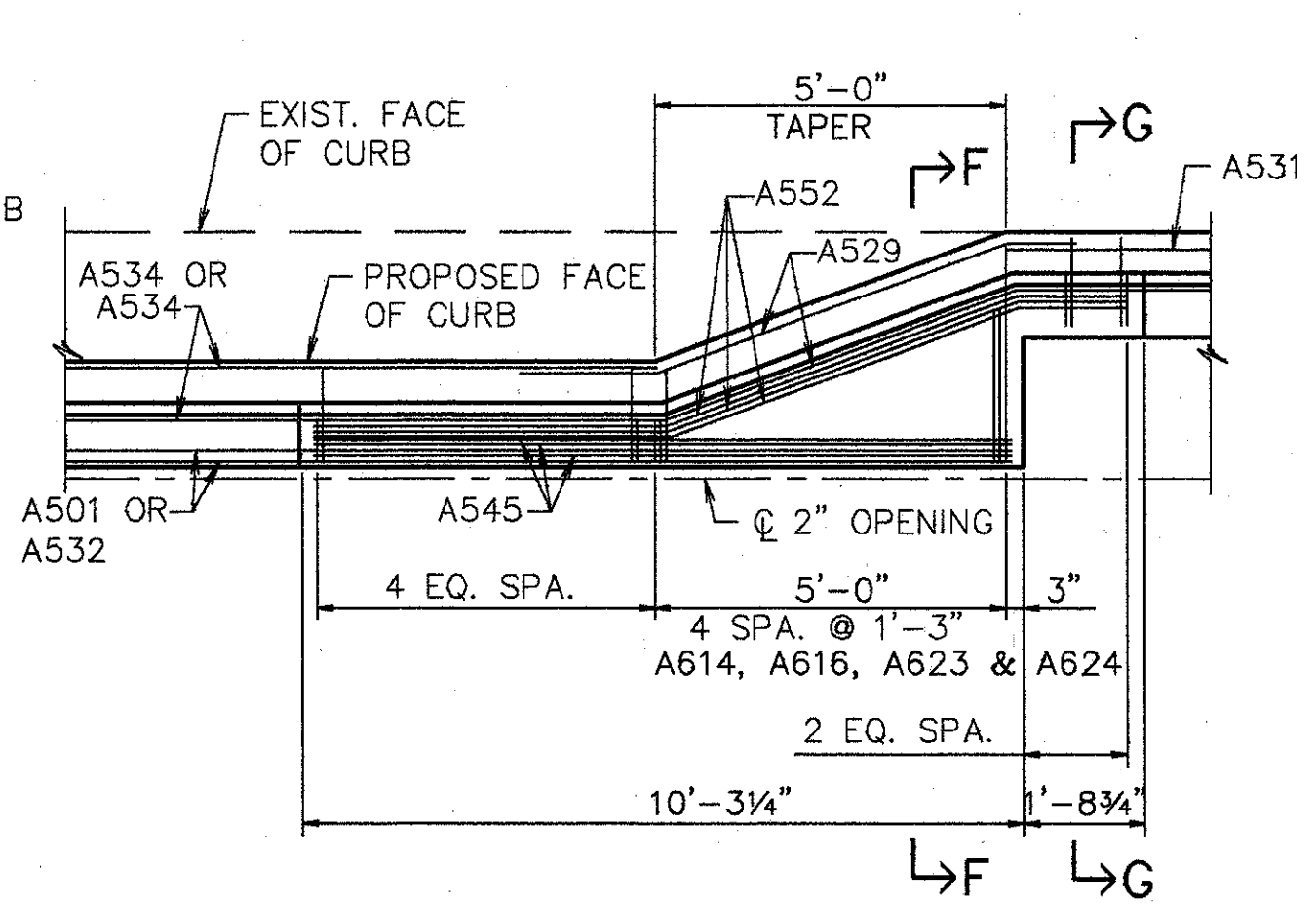
Last Plot: MAY 21, 1994 @ 10:51 AM  
 C:\STR\10596-CO\SHAND\VIDE\STIS Last Revision By: BACI JUN. 9, 1992 @ 3:32 PM



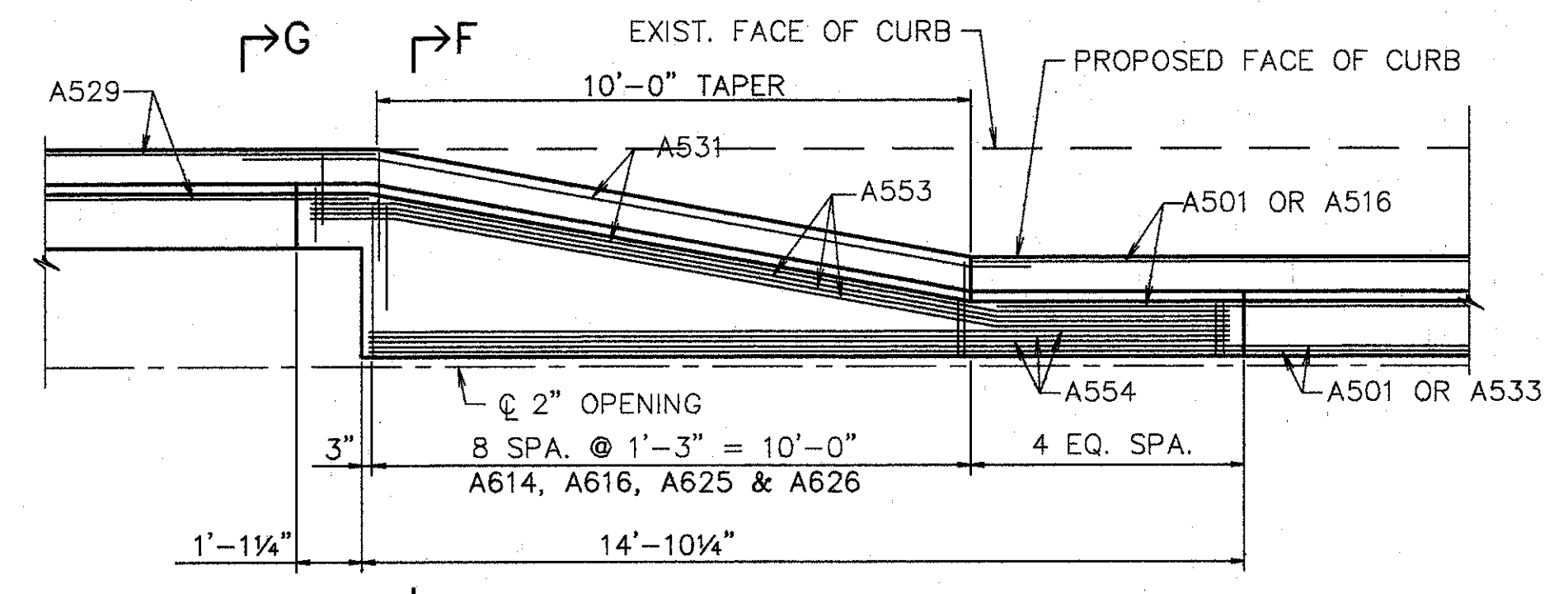
DETAIL QS1



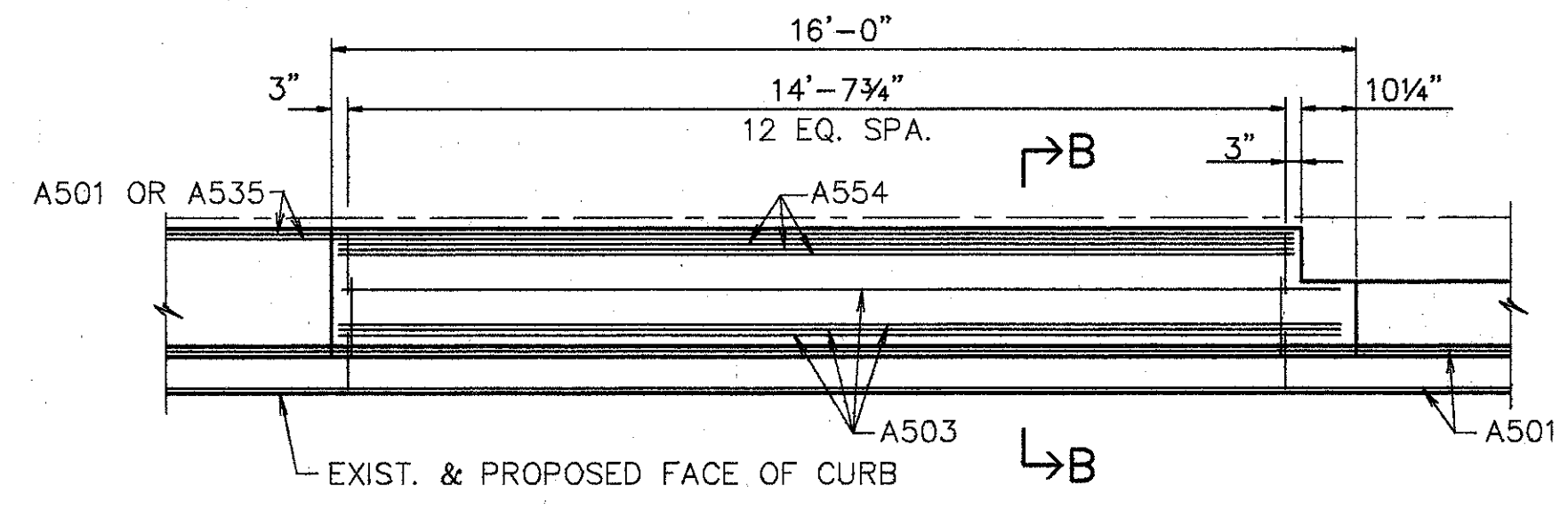
DETAIL KS1



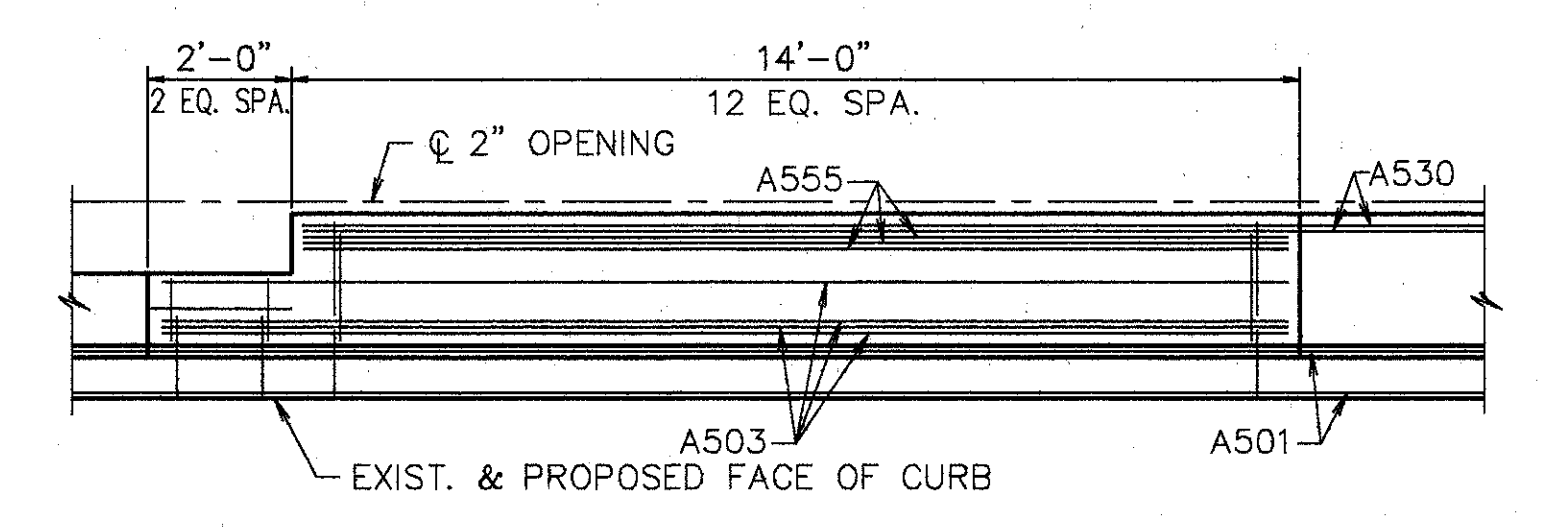
DETAIL MS1



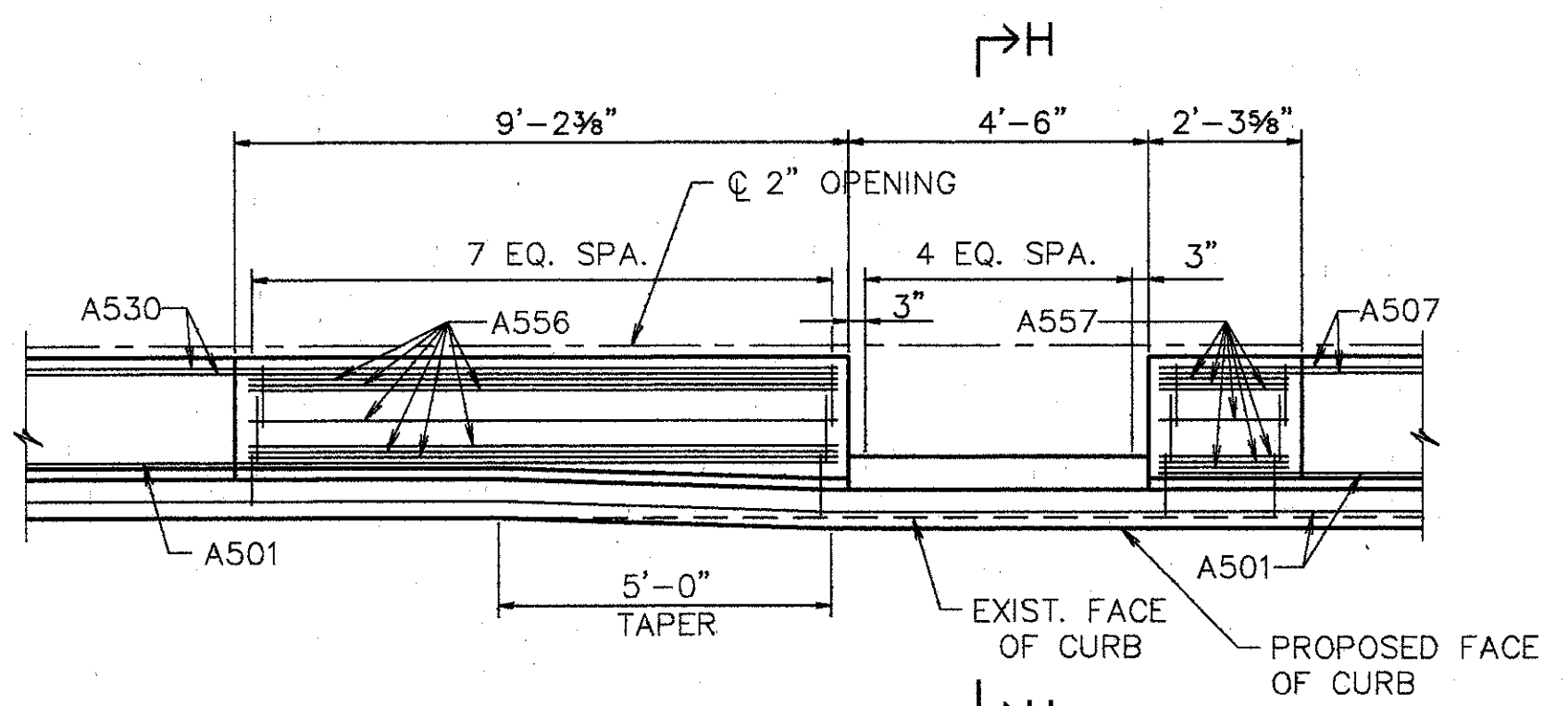
DETAIL QS2



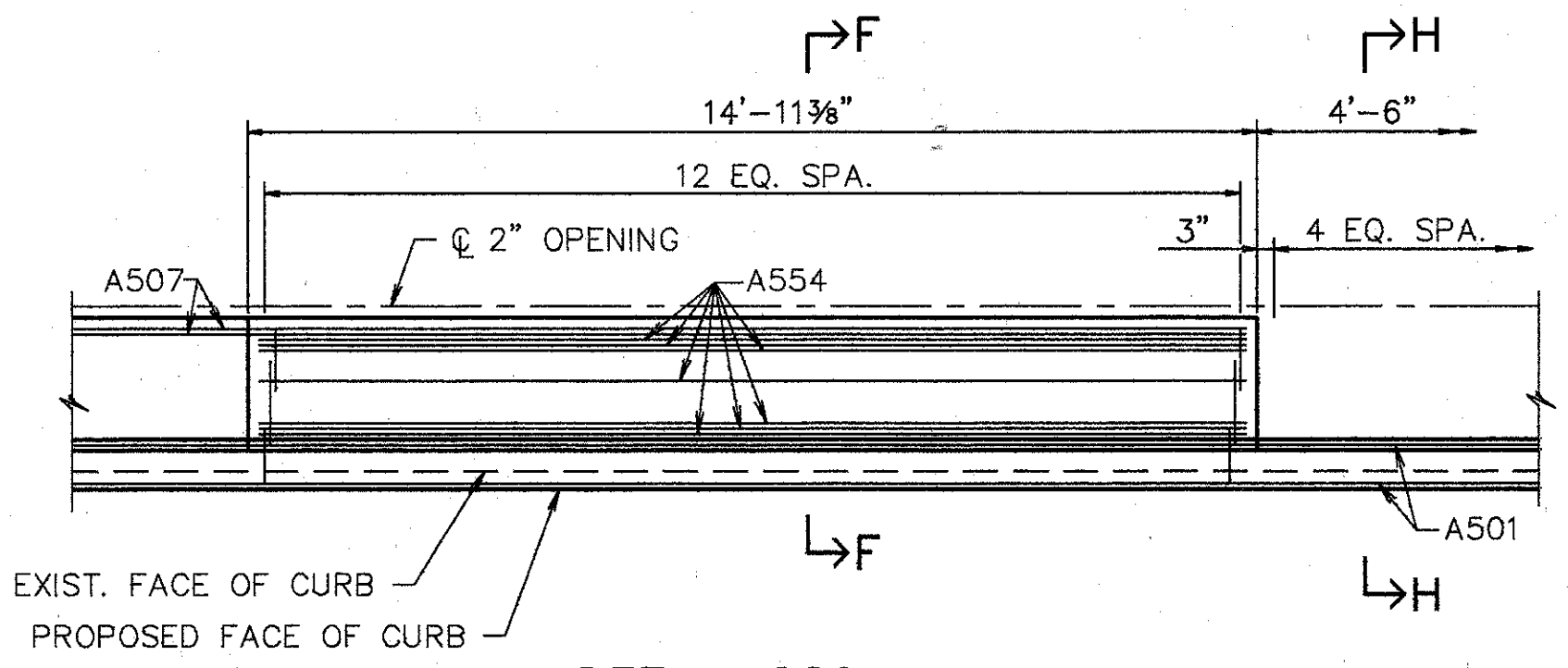
DETAIL QS3



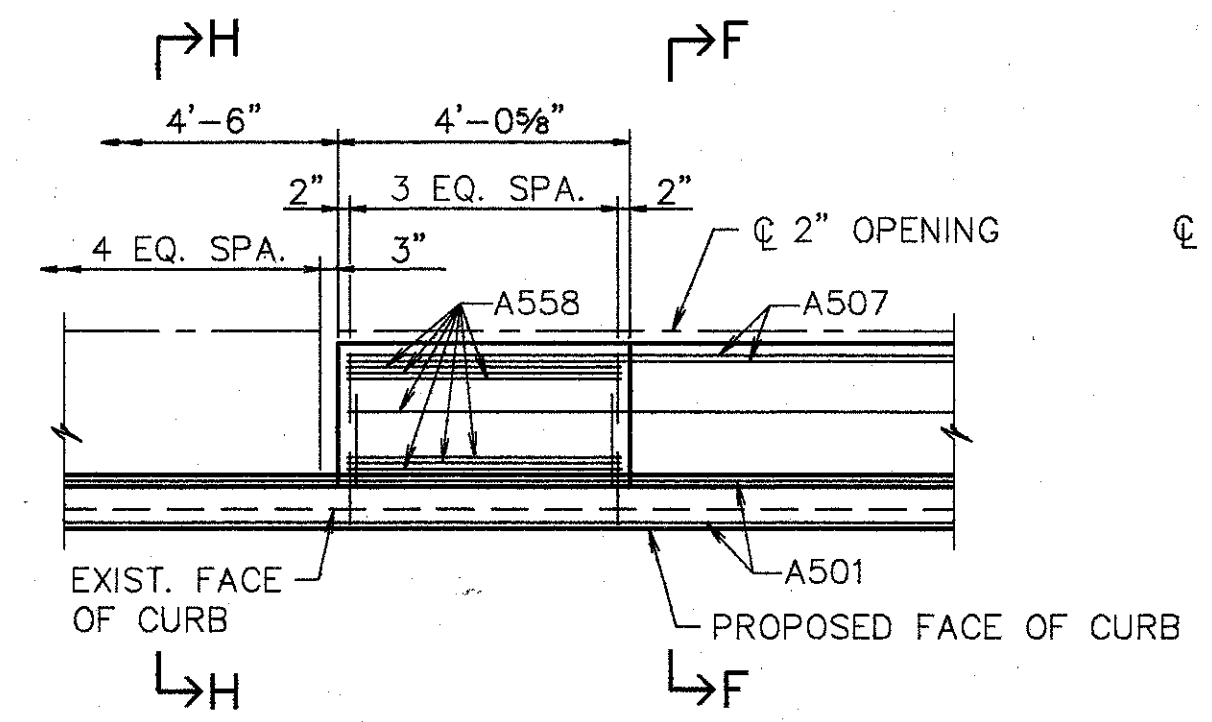
DETAIL QS4



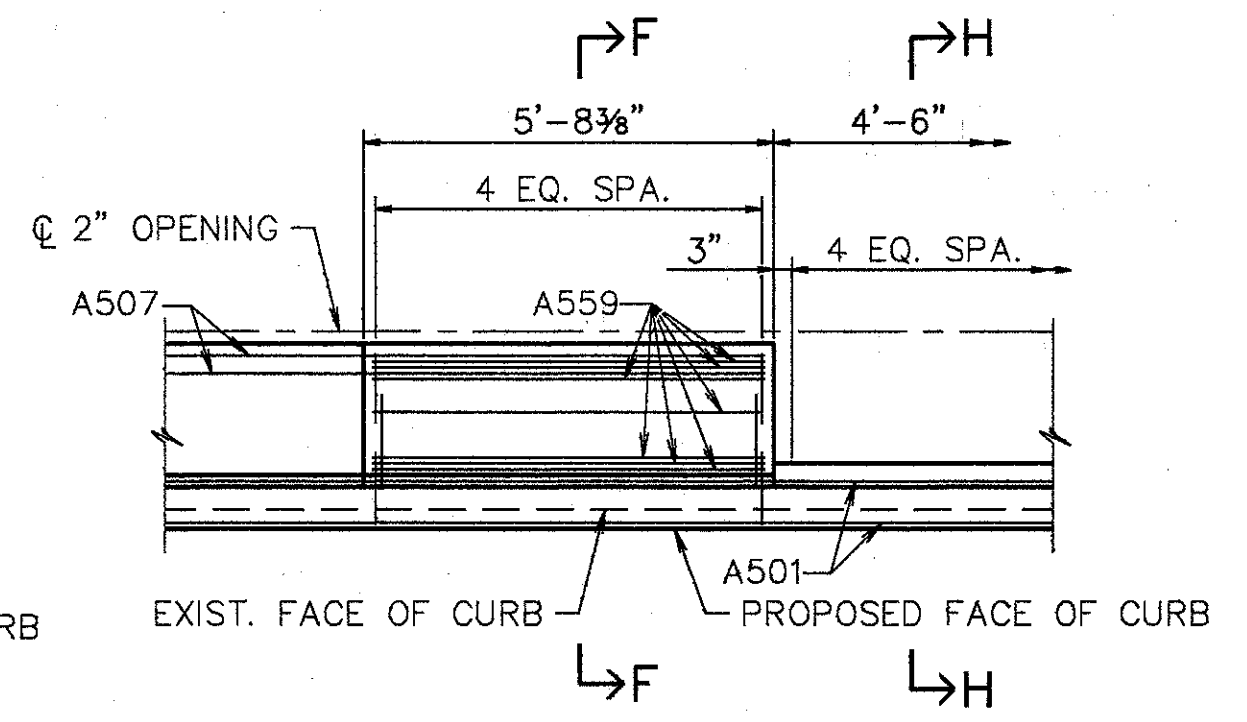
DETAIL QS5



DETAIL QS6

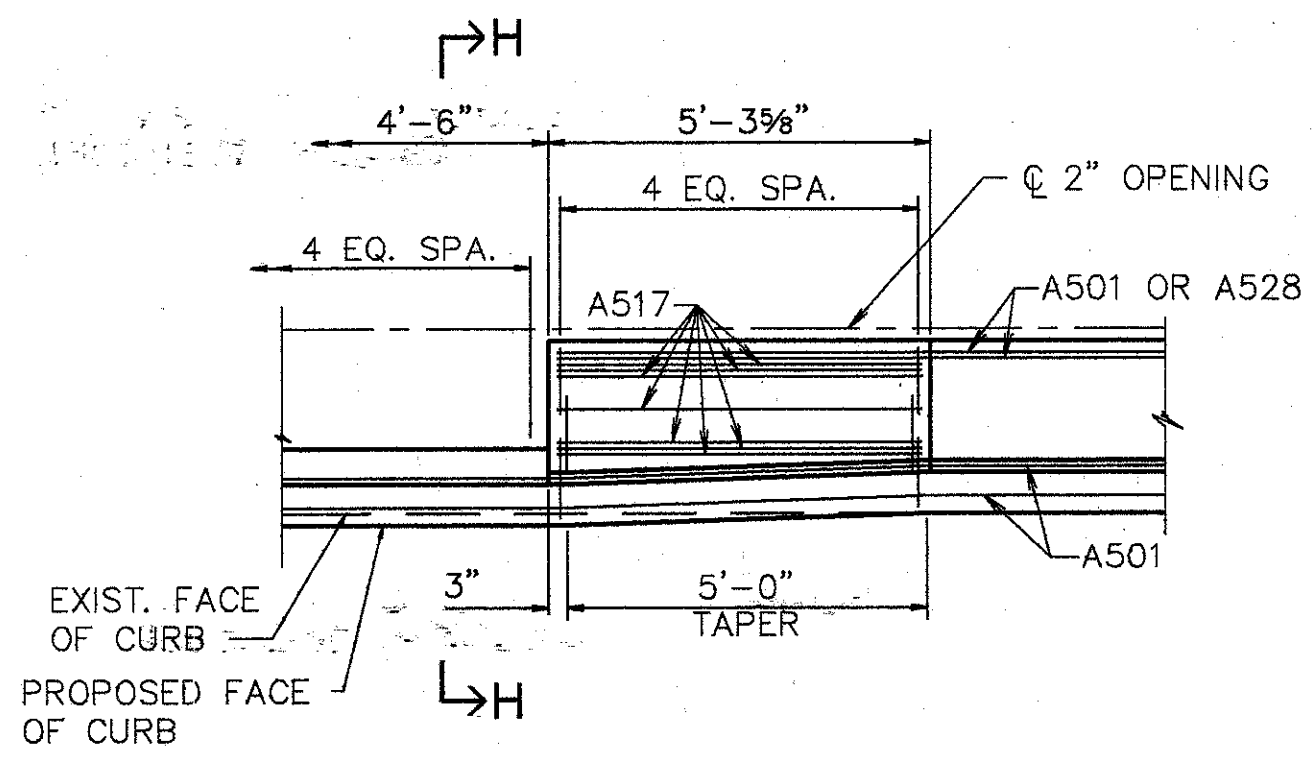


DETAIL GS1

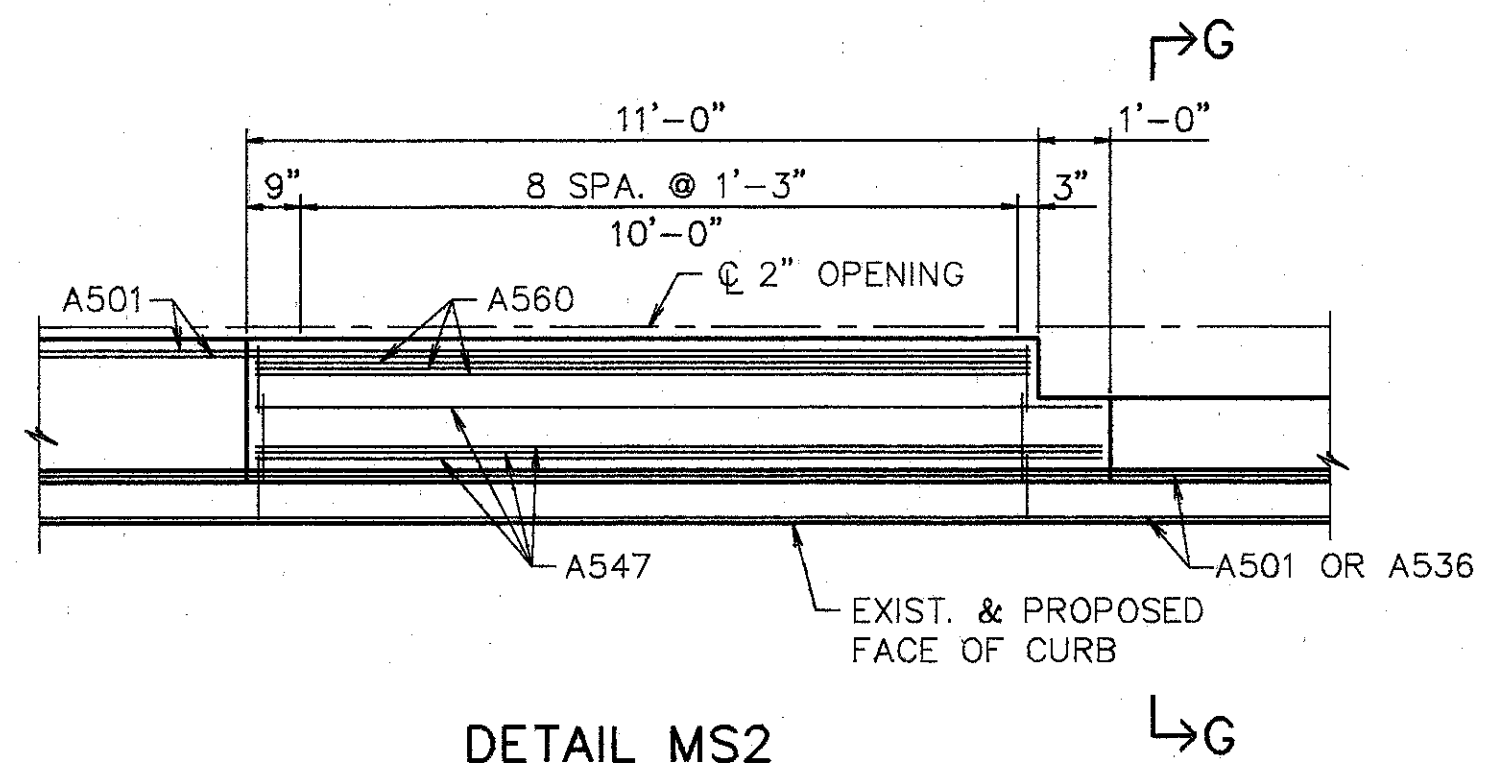


DETAIL GS2

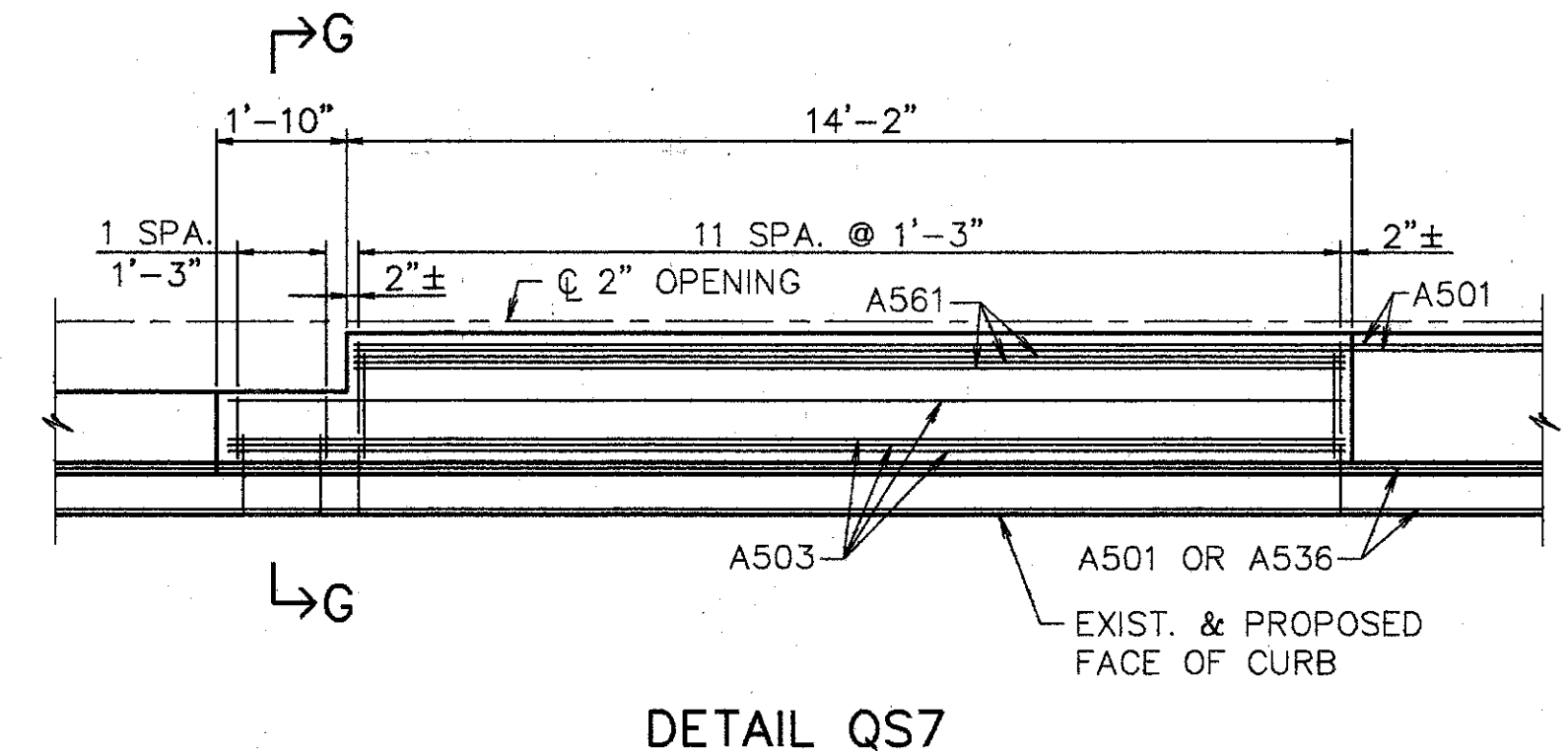
NOTE: FOR SECTIONS SEE SHT. [11/16]



DETAIL HS1



DETAIL MS2



DETAIL QS7

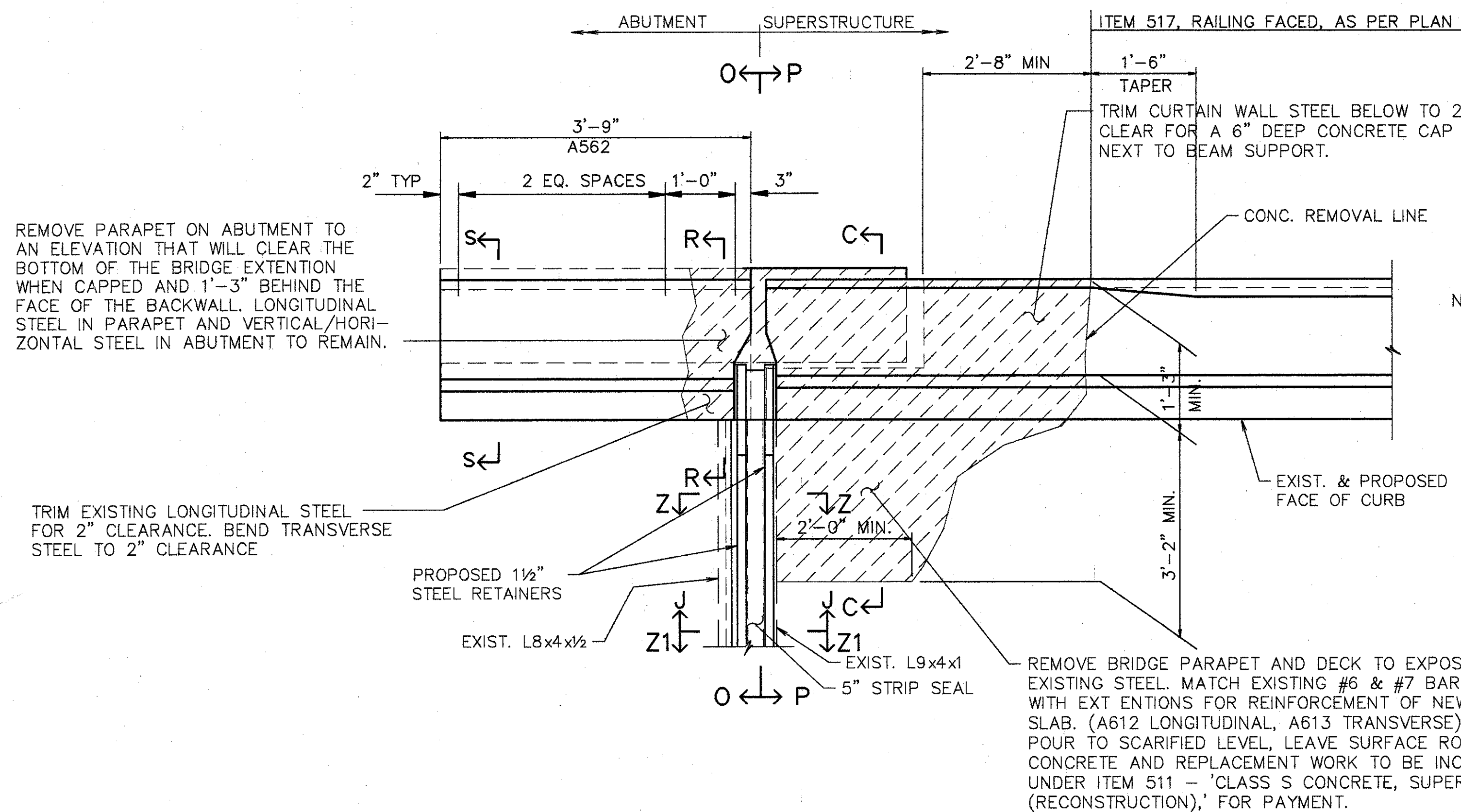
NOTE: STEEL TO BE BENT IN FIELD AS REQUIRED

**WOOLPERT CONSULTANTS**  
 409 E. MONUMENT AVENUE  
 DAYTON, OHIO 45402-1226  
 (513) 461-5660

<b>MEDIAN DETAILS PLAN VIEWS</b>					
BRIDGE NO. HAM-71-0154 OVER S.B. 471					
HAMILTON COUNTY					
DESIGNED	DRAWN	TRACED	CHECKED	REVIEWED	DATE
L.A.T.M.	D.E.E.		M.A.A.	D.E.M.	11/11/94

Last File MAY 21, 1994 @ 10:53 AM  
 G:\STATIONING\03\HAM71\0154\0154SHTS.LSP





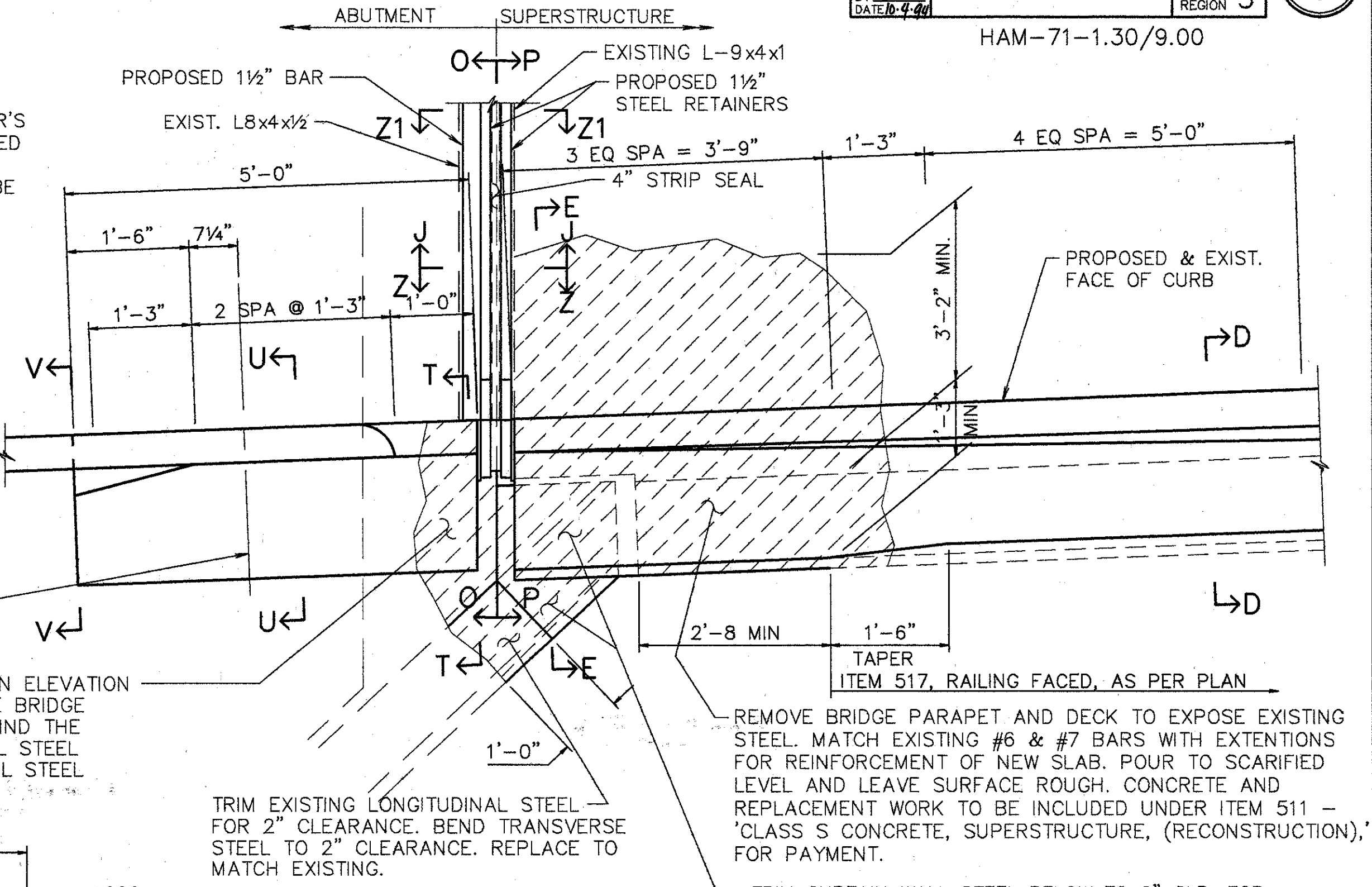
PART - PLAN REAR ABUTMENT A (LEFT)

† BARS SHALL REMAIN. CONTRACTOR SHALL EXERCISE CAUTION TO ENSURE THAT THESE BARS ARE NOT DAMAGED DURING THE CONCRETE REMOVAL OPERATION. ANY BARS DAMAGED AS A RESULT OF THE CONTRACTOR'S OPERATION, SHALL BE REPLACED OR REPAIRED BY THE CONTRACTOR AT HIS EXPENSE. METHOD OF REPAIR OR REPLACEMENT WILL BE AT THE DISCRETION OF THE DIRECTOR.

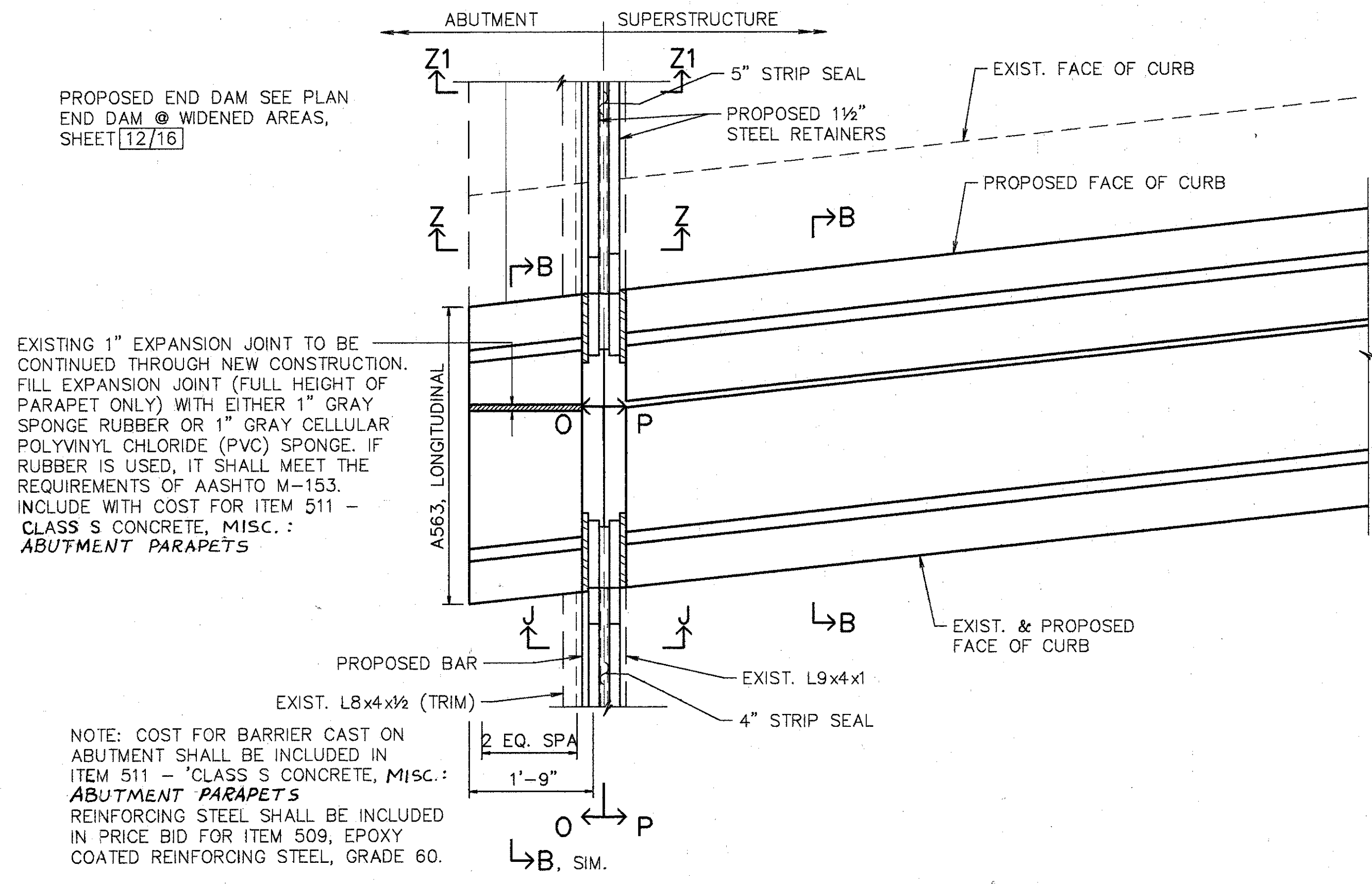
NOTE: COST TO REMOVE PORTIONS OF ABUTMENT AND SUPERSTRUCTURE TO BE INCLUDED IN PRICE BID FOR ITEM 202 - 'PORTION OF SUPERSTRUCTURE REMOVED.'

PROVIDE ANCHOR ASSEMBLIES FOR TYPE 'AT' OR 'AA' BRIDGE ASSEMBLIES AS PER STD. DWG. GR3. SEE ROADWAY DWGS. FOR TYPE LOCATION. PAYMENT TO BE INCLUDED WITH GUARDRAIL.

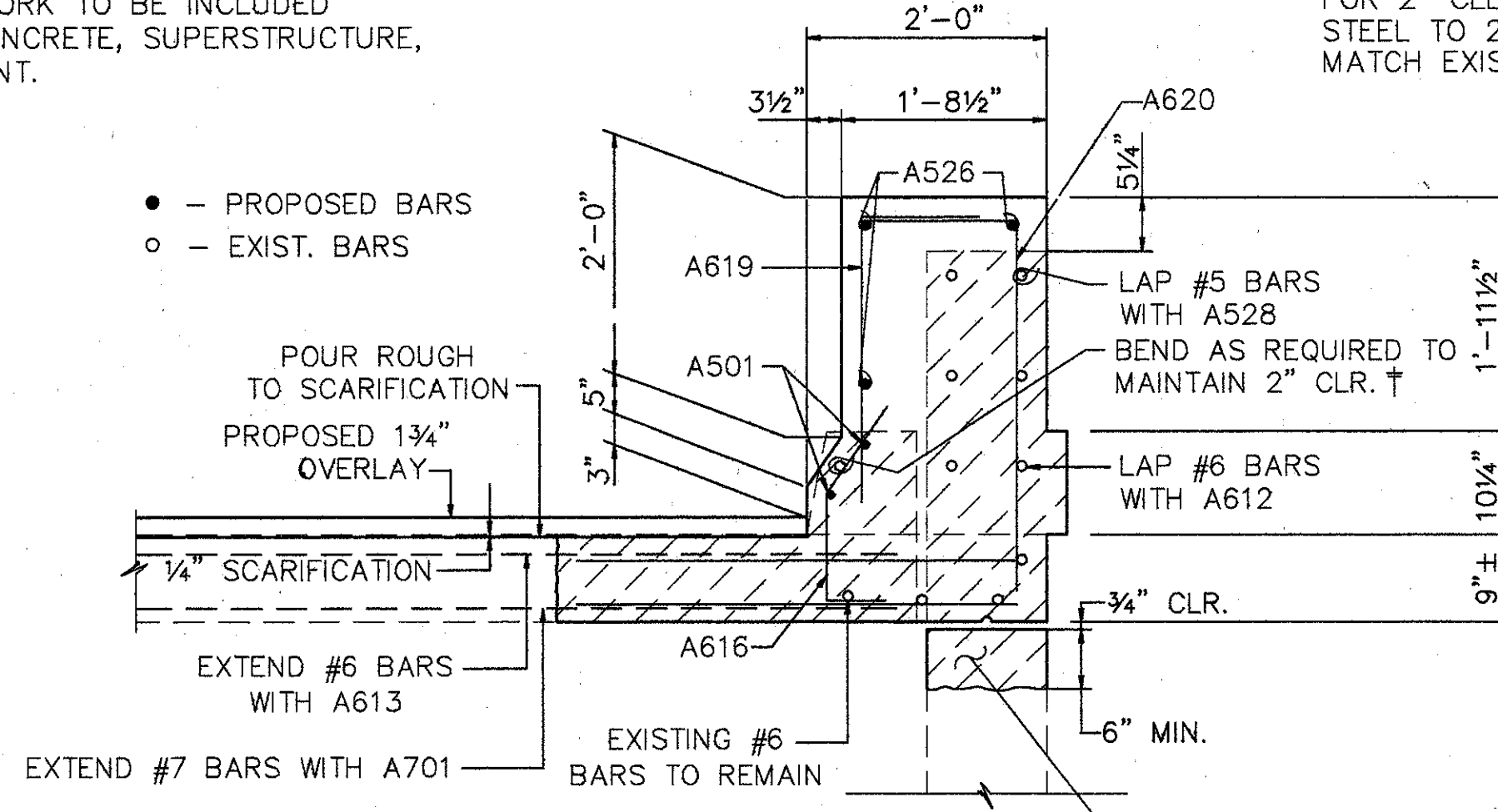
REMOVE PARAPET ON ABUTMENT TO AN ELEVATION THAT WILL CLEAR THE BOTTOM OF THE BRIDGE EXTENSION WHEN CAPPED AND 6" BEHIND THE FACE OF THE BACKWALL. LONGITUDINAL STEEL IN PARAPET AND VERTICAL/HORIZONTAL STEEL IN ABUTMENT TO REMAIN.



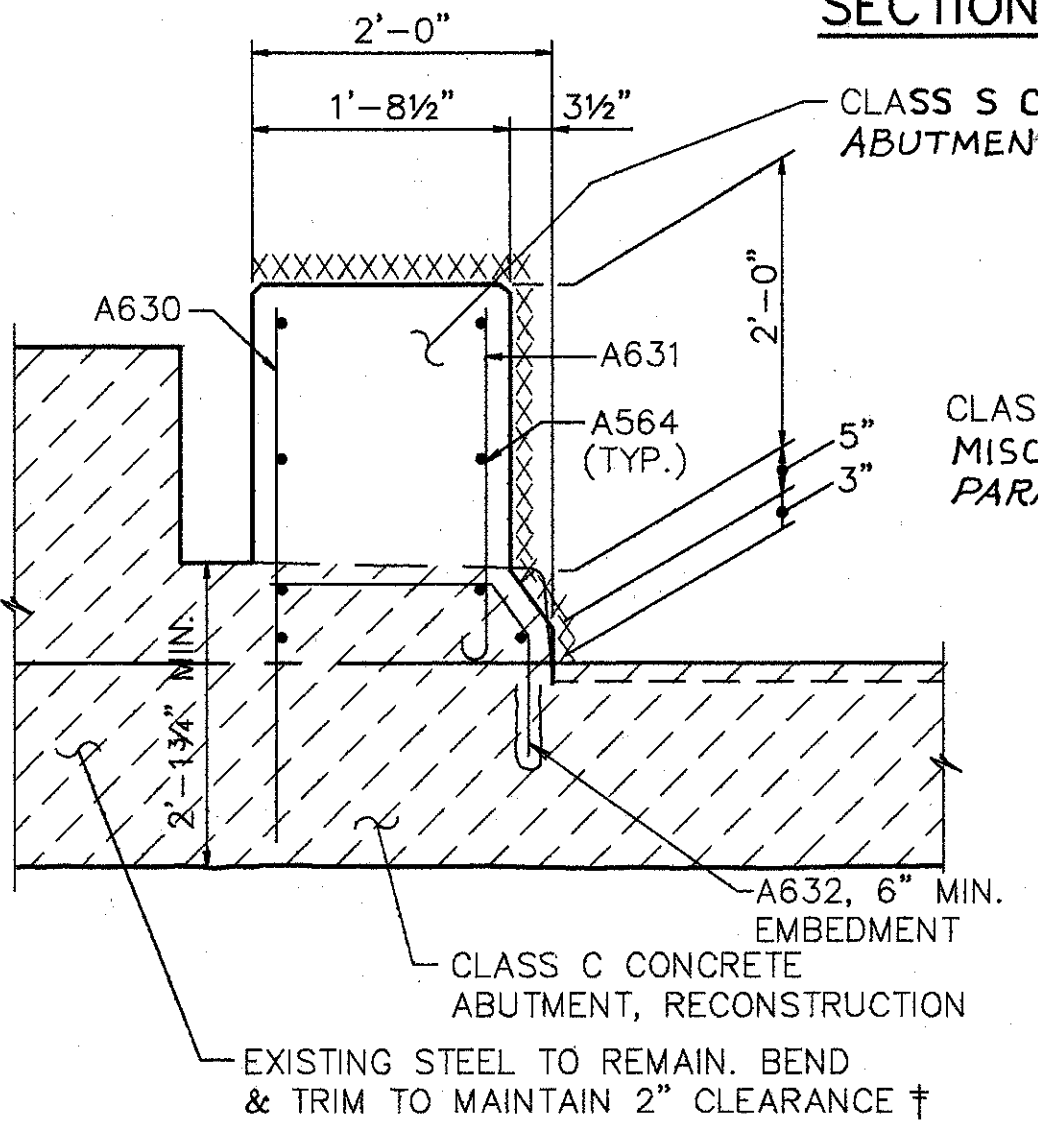
PART - PLAN REAR ABUTMENT A (RIGHT)



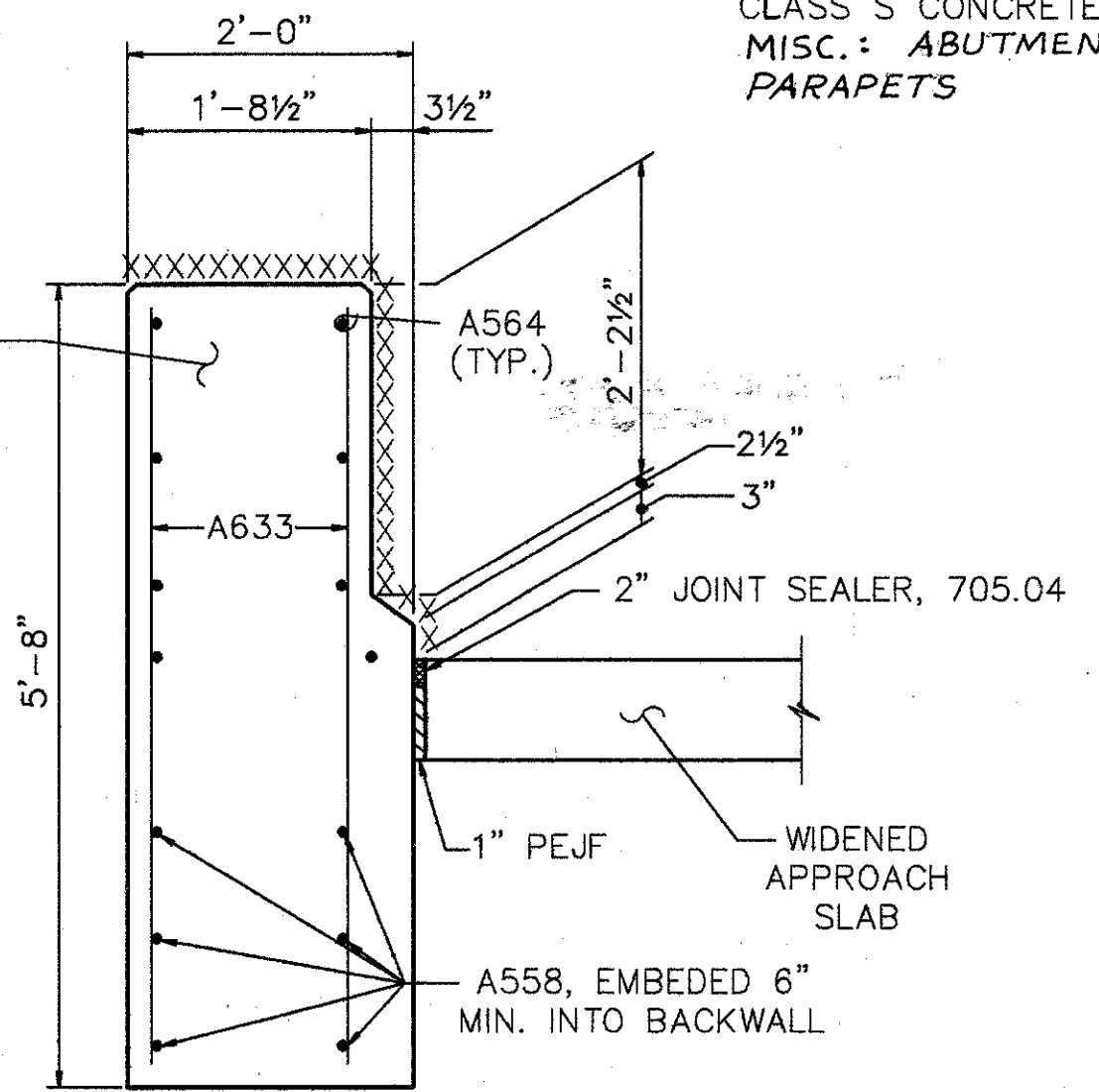
PART - PLAN REAR ABUTMENT A MEDIAN BARRIER



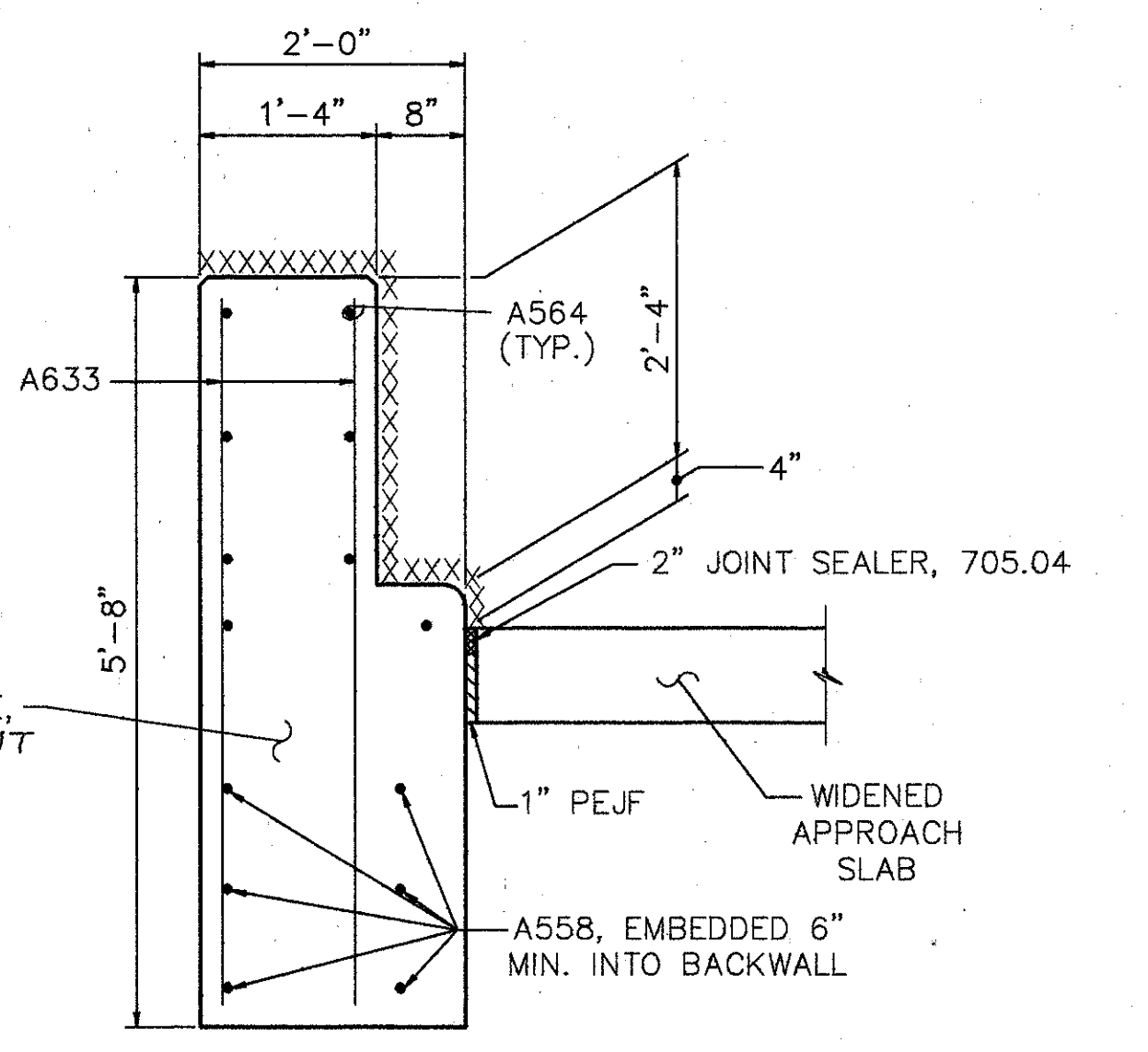
SECTION E-E



SECTION T-T



SECTION U-U



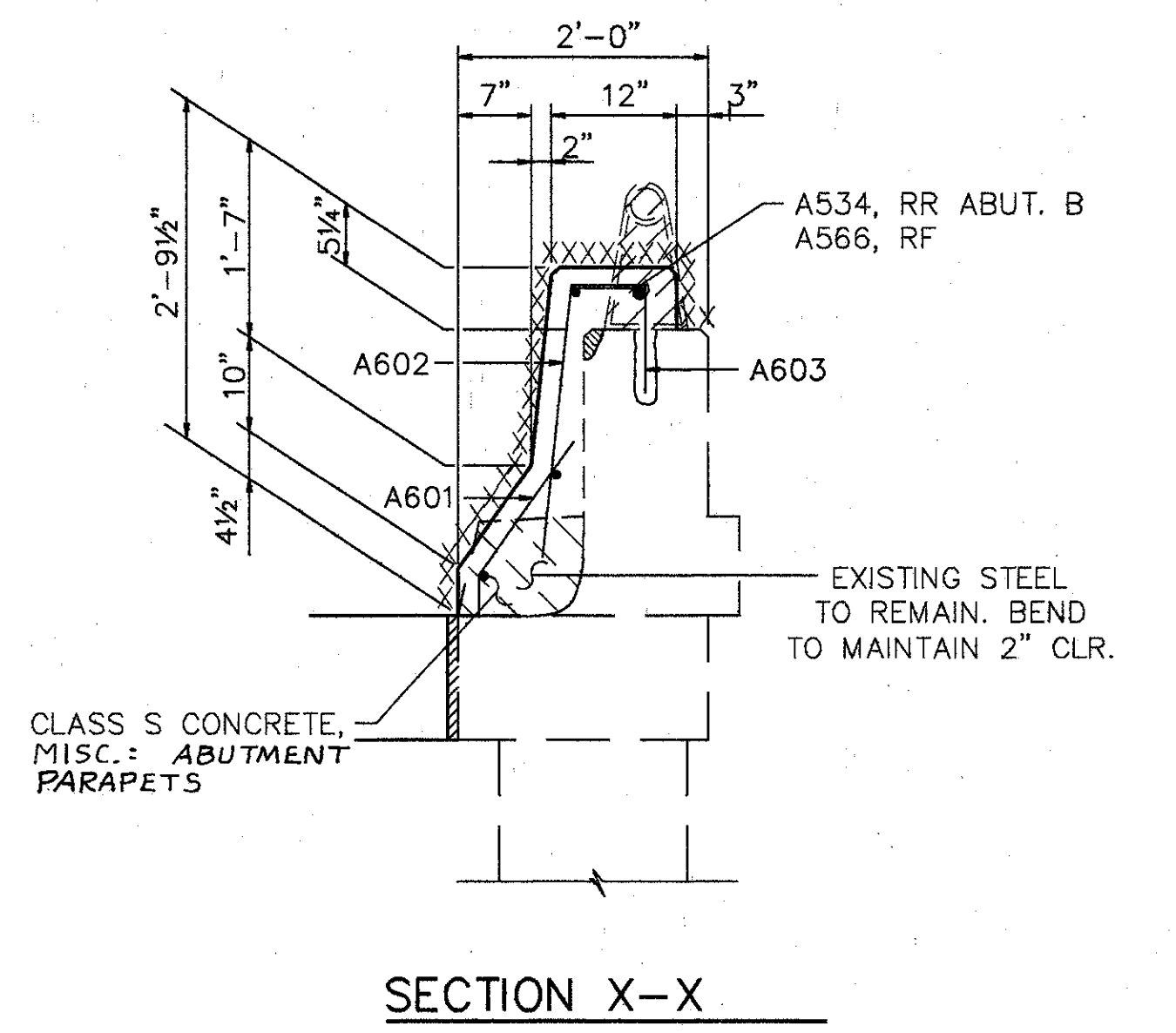
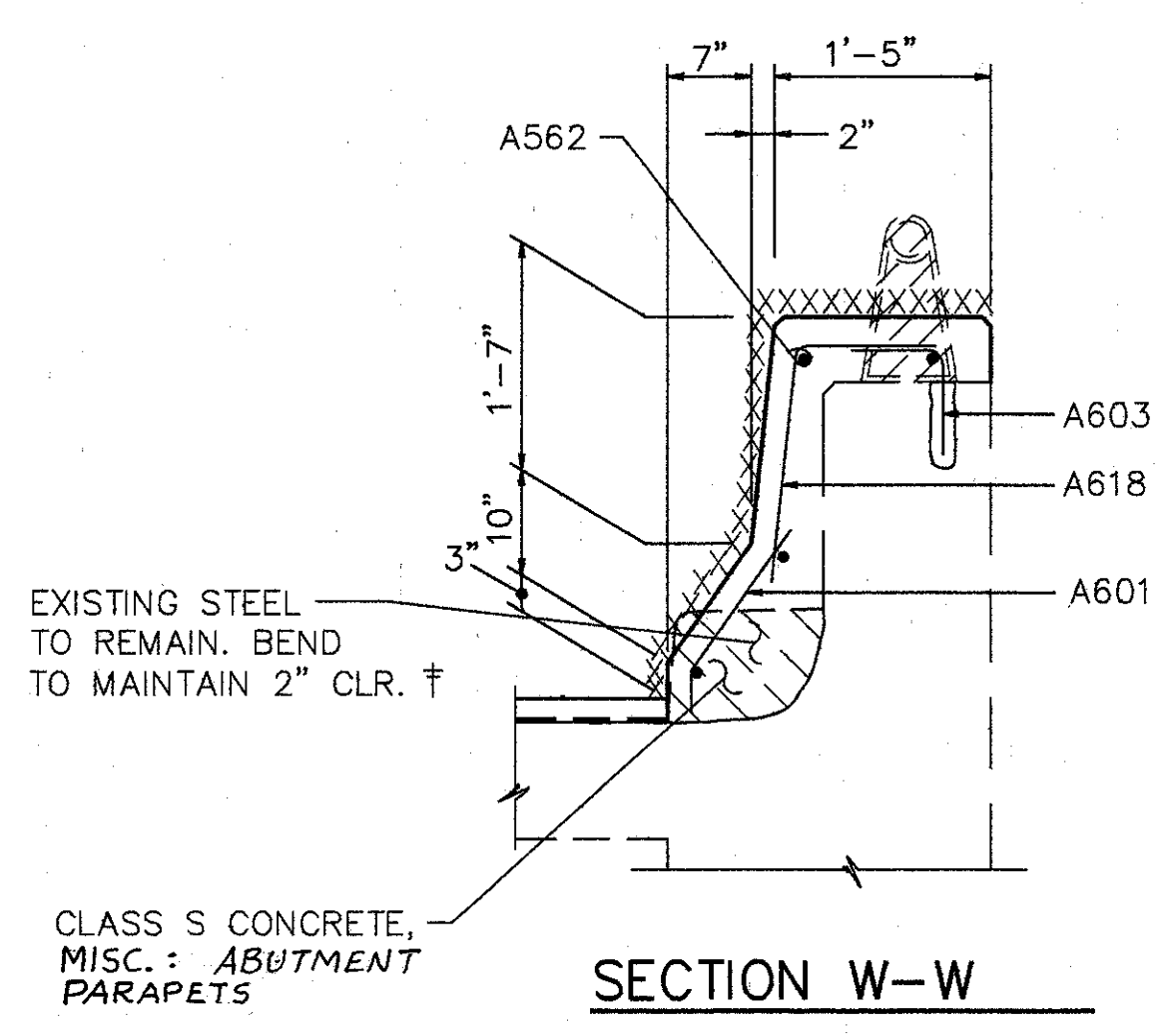
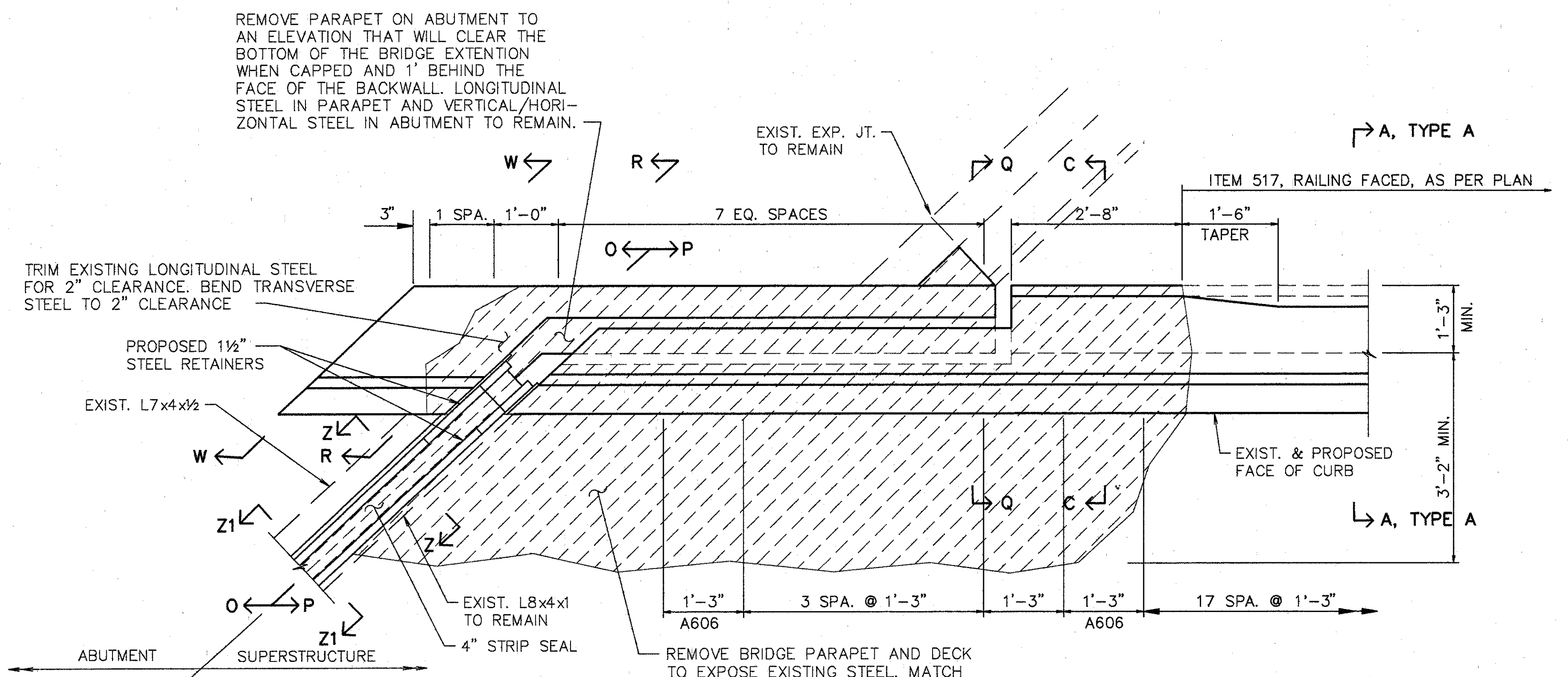
SECTION V-V

**WOOLPERT CONSULTANTS**  
 409 E. MONUMENT AVENUE  
 DAYTON, OHIO 45402-1226  
 (513) 461-5660  
 7/16

**PART PLANS @ REAR ABUTMENT A**  
 BRIDGE NO. HAM-71-0154 L/R  
 OVER S.B. 471  
 HAMILTON COUNTY

DESIGNED	DRAWN	TRACED	CHECKED	REVIEWED	DATE	REVISED
L.A.T.M.	D.E.E.		M.A.A.	D.E.M11/11/94		

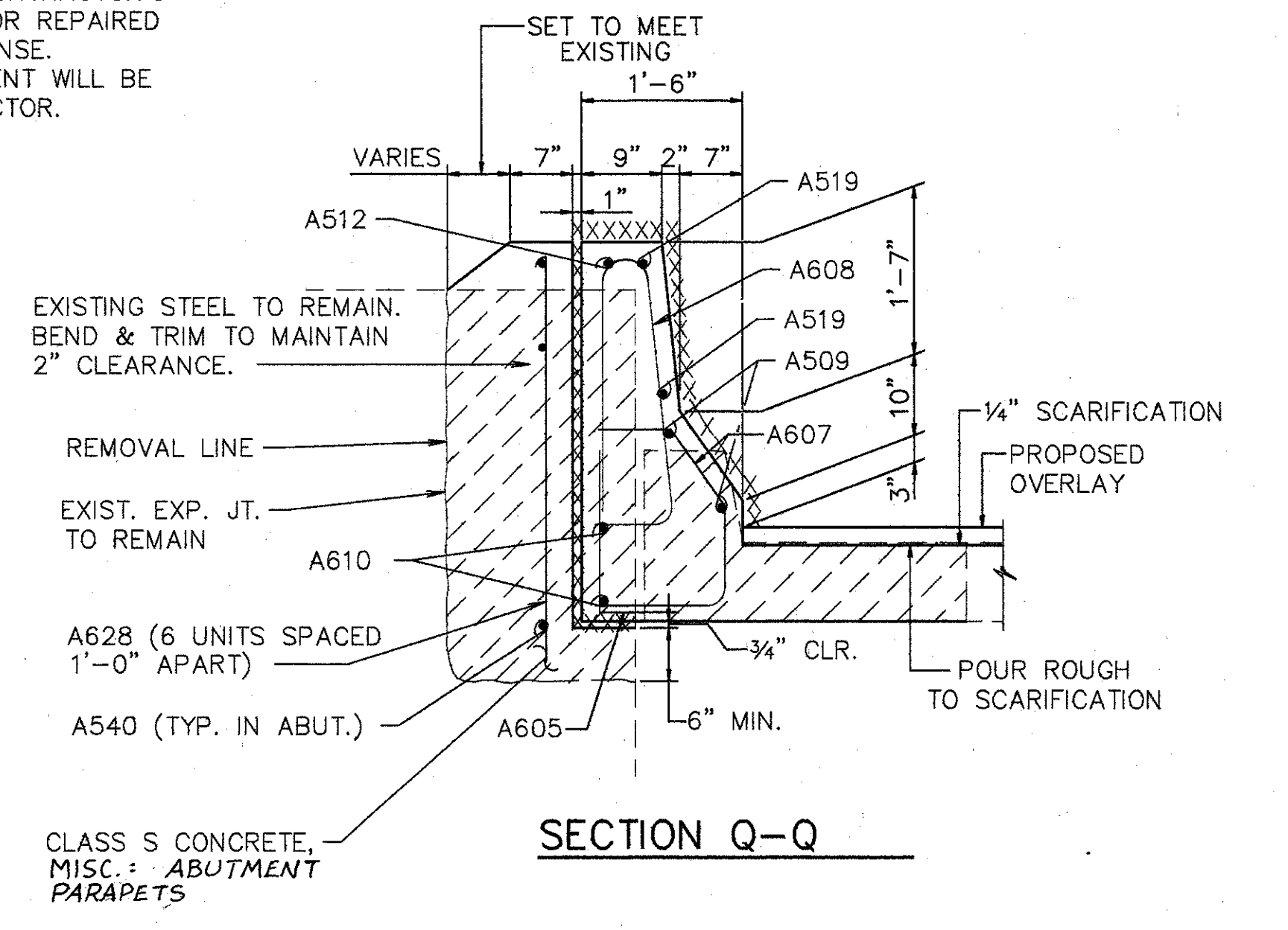
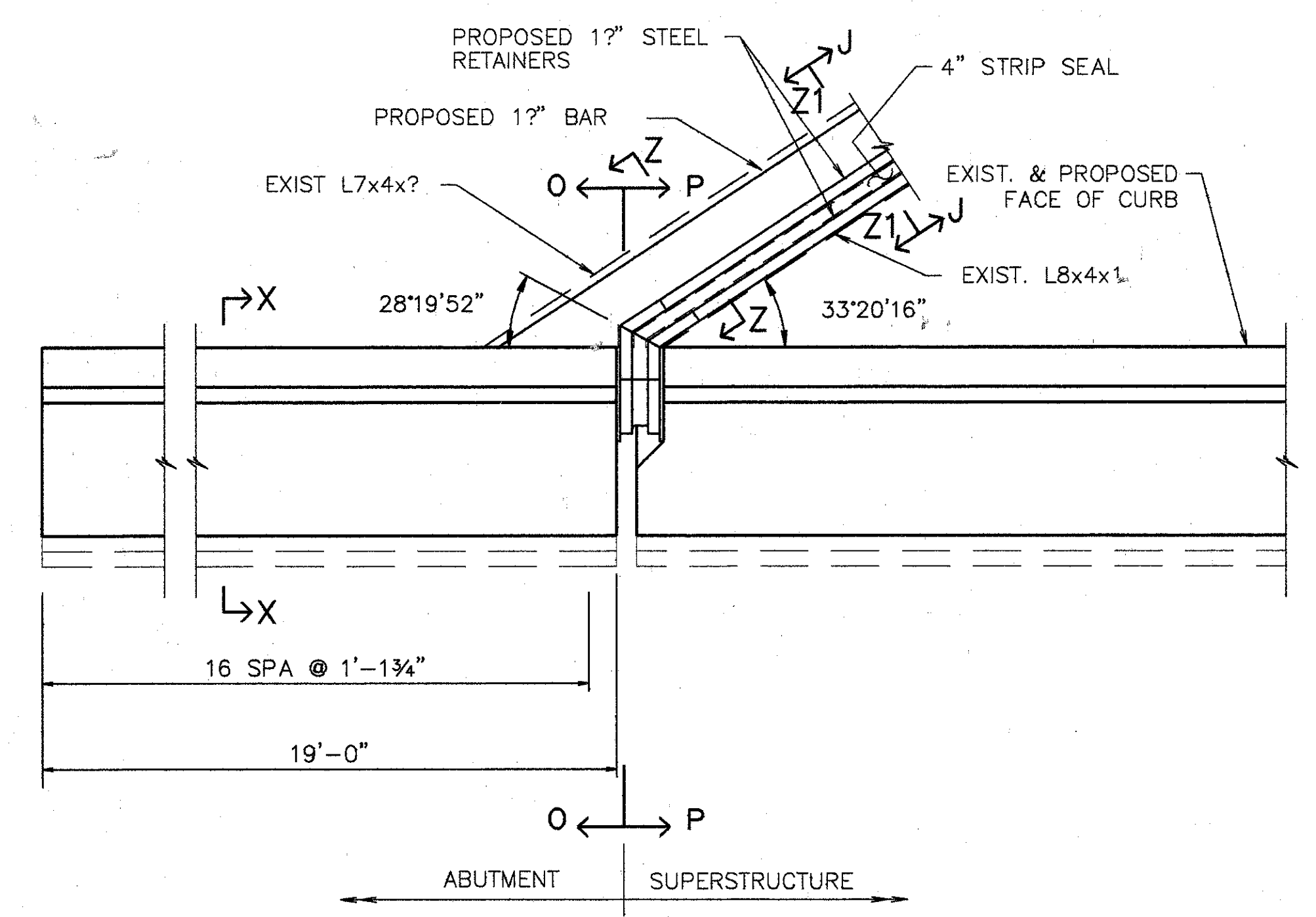
Last Plot: MAY 21 1995 10:05 AM  
 C:\STRA\10584\03\WASHLAND\WASHLIT.Lam: Revision By: D.E.E. APR. 14, 1993 @ 3:21 PM



COSTS TO REMOVE PORTIONS OF ABUTMENT AND SUPERSTRUCTURE TO BE INCLUDED IN PRICE BID FOR ITEM 202 - 'PORTION OF STRUCTURE REMOVED.'

† BARS SHALL REMAIN. CONTRACTOR SHALL EXERCISE CAUTION TO ENSURE THAT THESE BARS ARE NOT DAMAGED DURING THE CONCRETE REMOVAL OPERATION. ANY BARS DAMAGED AS A RESULT OF THE CONTRACTOR'S OPERATION, SHALL BE REPLACED OR REPAIRED BY THE CONTRACTOR AT HIS EXPENSE. METHOD OF REPAIR OR REPLACEMENT WILL BE AT THE DISCRETION OF THE DIRECTOR.

PART - PLAN REAR ABUTMENT B (LEFT)

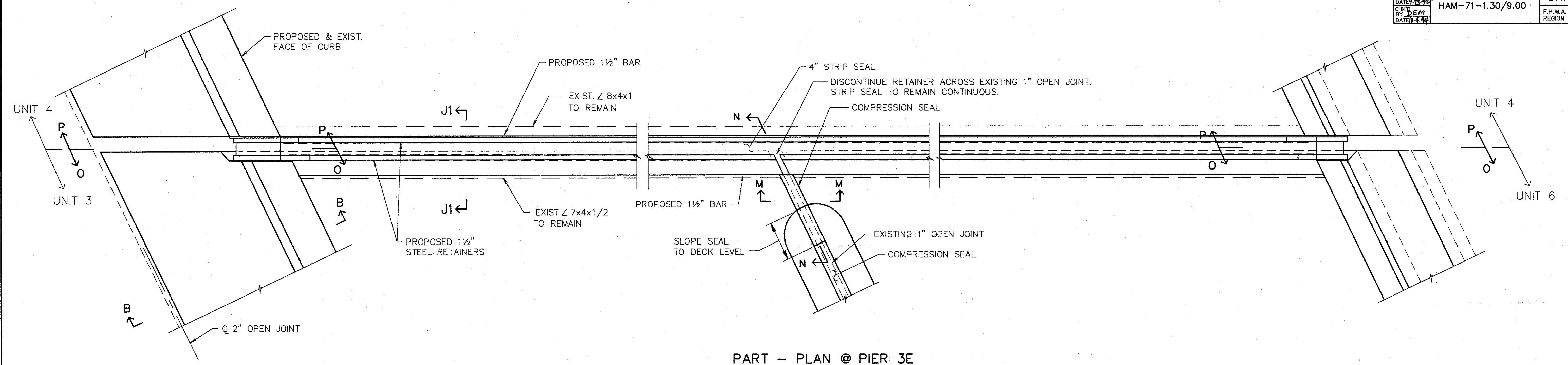


NOTE:  
FOR SECTIONS NOT SHOWN SEE SHT. 11 & 12/16  
FOR SECTION A-A SEE GEN. DTL. SHT. 273/40

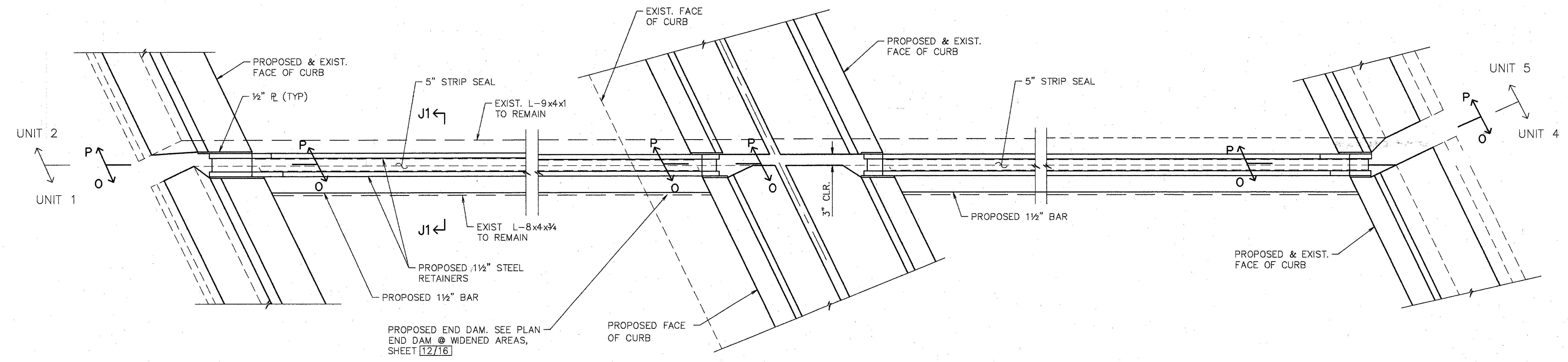
		<b>WOOLPERT CONSULTANTS</b> 409 E. MONUMENT AVENUE DAYTON, OHIO 45402-1226 (513) 461-5660		8/16		
<b>PART PLANS @ REAR ABUTMENT B</b>						
BRIDGE NO. HAM-71-0154 L/R OVER S.B. 471						
HAMILTON COUNTY						
DESIGNED	DRAWN	TRACED	CHECKED	REVIEWED	DATE	REVISED
L.A.T.M.	D.E.E.		M.A.A.	D.E.M11/11/94		

L.A.T.M. MAY 21, 1991 @ 10:55 AM  
 C:\STR\16594-03\SHLAND\16594SHTS\16594SHTS.Lot Revision By: RACH MAY 18, 1994 @ 3:58 PM





PART - PLAN @ PIER 3E



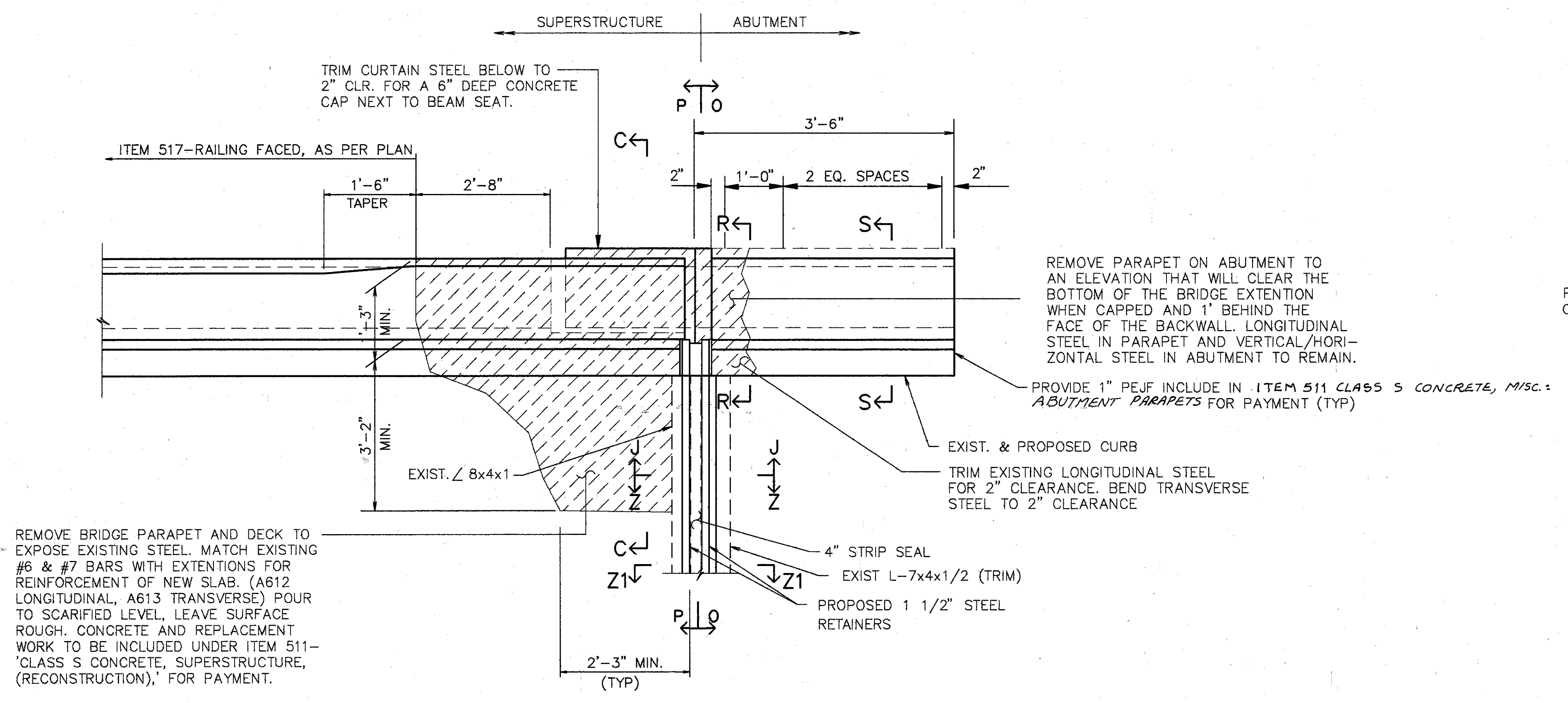
PART - PLAN @ PIER 6 E & W

NOTE:  
FOR SECTIONS NOT SHOWN  
SEE SHT. [3,11,&12/16]

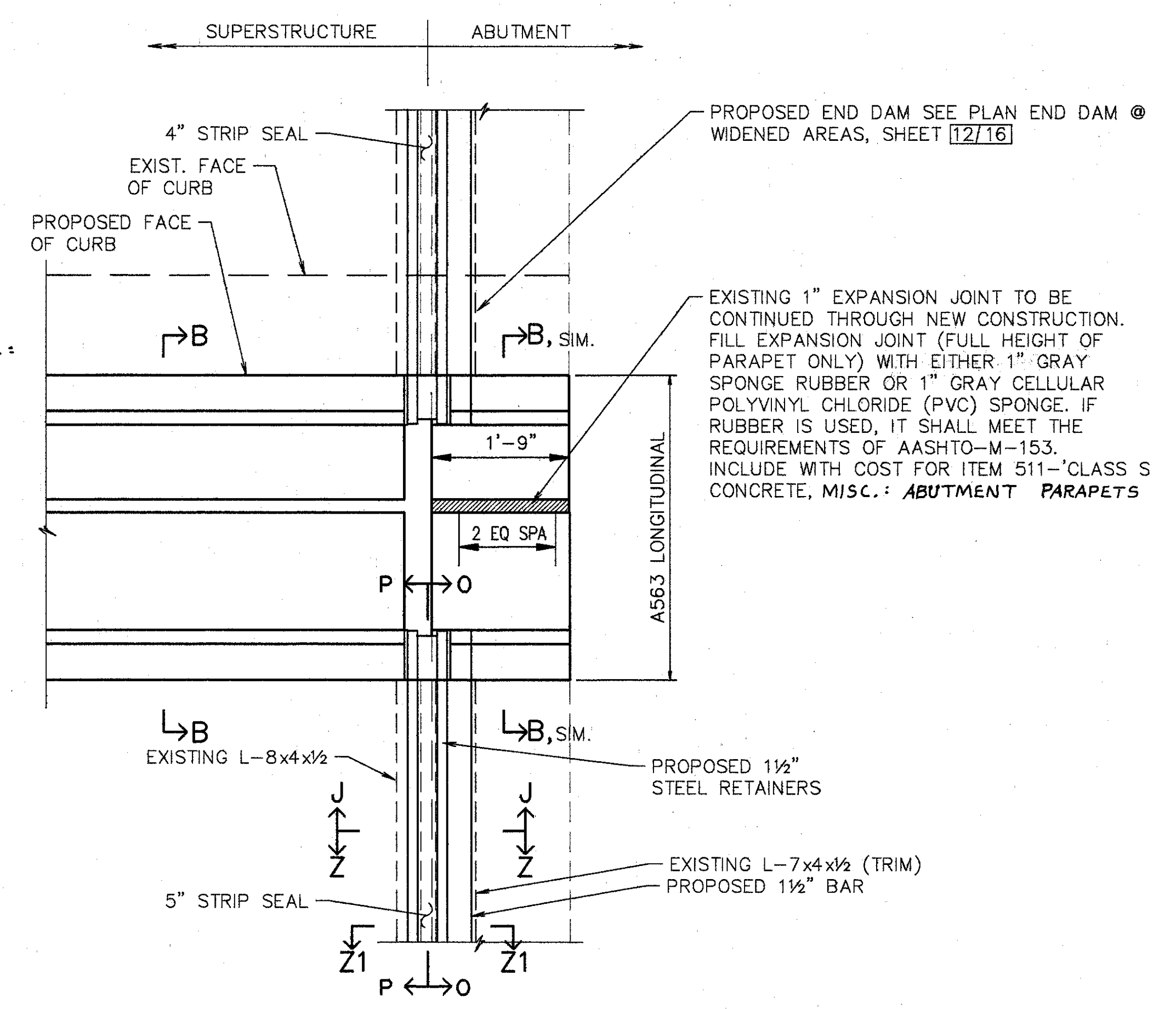
	<b>WOOLPERT CONSULTANTS</b> 409 E. MONUMENT AVENUE DAYTON, OHIO 45402-1226 (513) 461-5660		9/16
	<b>PART PLANS @ INT. JOINTS</b>		
	BRIDGE NO. HAM-71-0154 L/R OVER S.B. 471 HAMILTON COUNTY		

DESIGNED	DRAWN	TRACED	CHECKED	REVIEWED	DATE	REVISED
L.A.T.M.	D.E.E.		M.A.A.	D.E.	M11/11/94	

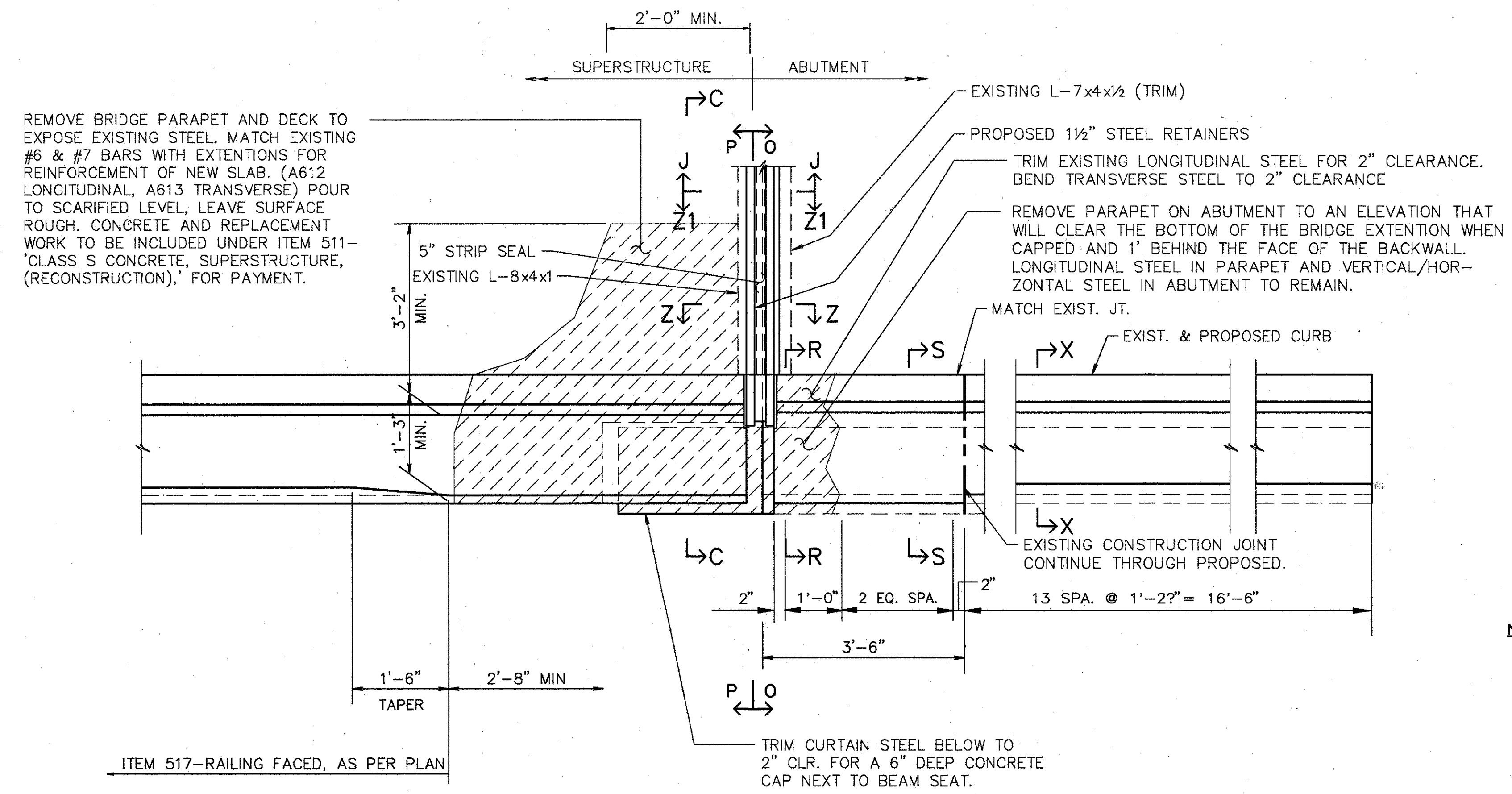
Last Plot: MAY 21, 1995 @ 10:56 AM  
 © STRAIN/SCHLANDER/STROUD, Ltd. Revision Bx. RACH JUN 5, 1992 @ 11:18 AM



PART - PLAN FORWARD ABUTMENT (LEFT)



PART - PLAN FORWARD MEDIAN BARRIER



PART - PLAN FORWARD ABUTMENT (RIGHT)

NOTE:  
 FOR SECTIONS NOT SHOWN SEE SHT. 11&12/16  
 COST TO REMOVE PORTIONS OF ABUTMENT AND SUPERSTRUCTURE TO BE INCLUDED IN PRICE BID FOR ITEM 202—'PORTION OF STRUCTURE REMOVED.'

**WOOLPERT CONSULTANTS**  
 409 E. MONUMENT AVENUE  
 DAYTON, OHIO 45402-1226  
 (513) 461-5660

PART PLANS @ FWD. ABUT.

BRIDGE NO. HAM-71-0154 L/R  
 OVER S.B. 471

DESIGNED	DRAWN	TRACED	CHECKED	REVIEWED	DATE	REVISED
L.A.T.M.	D.E.E.		M.A.A.	D.E.M11/11/94		

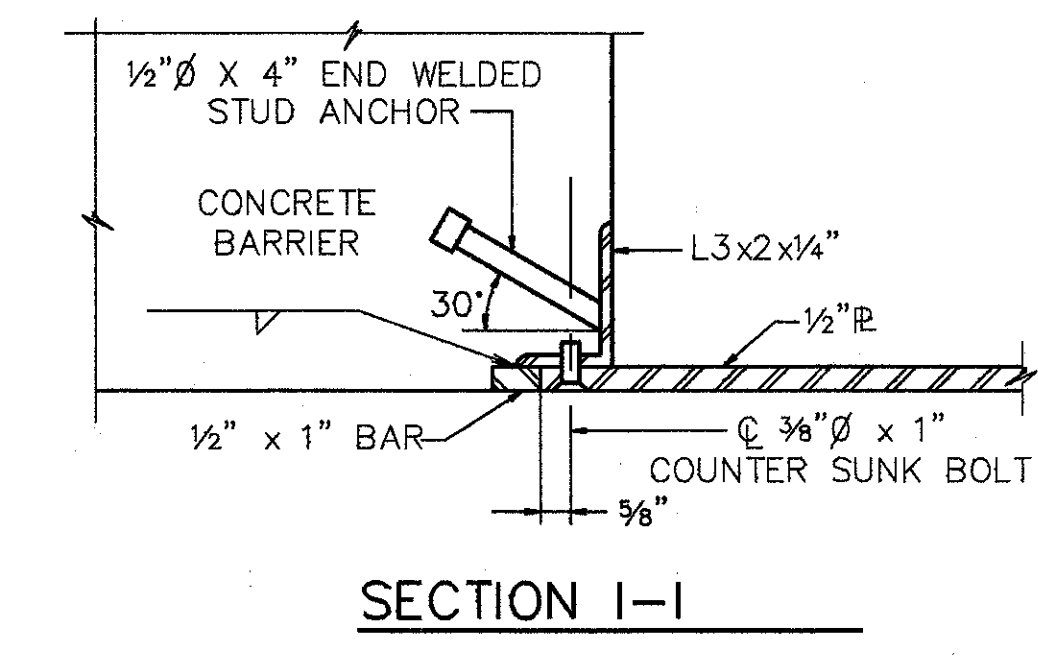
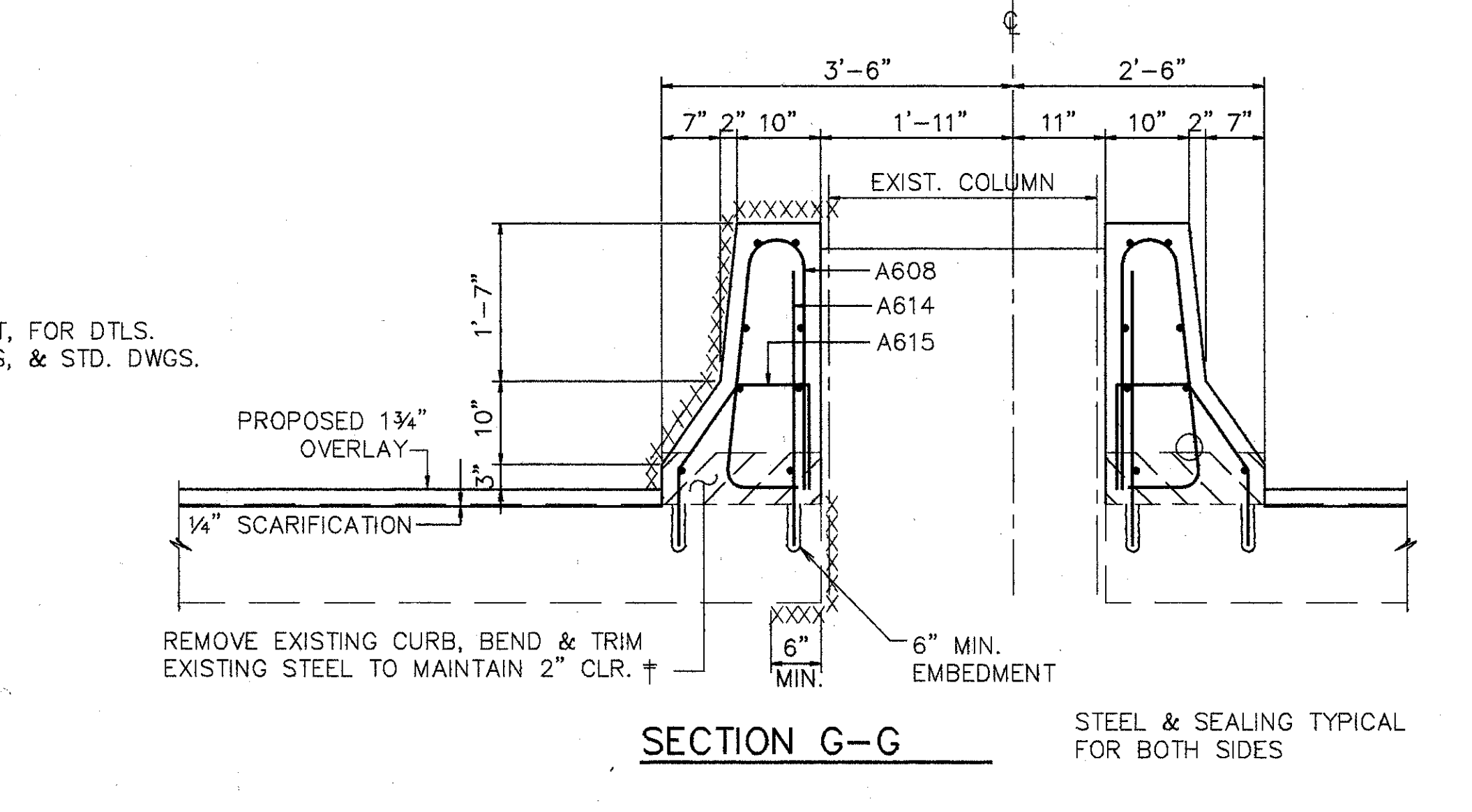
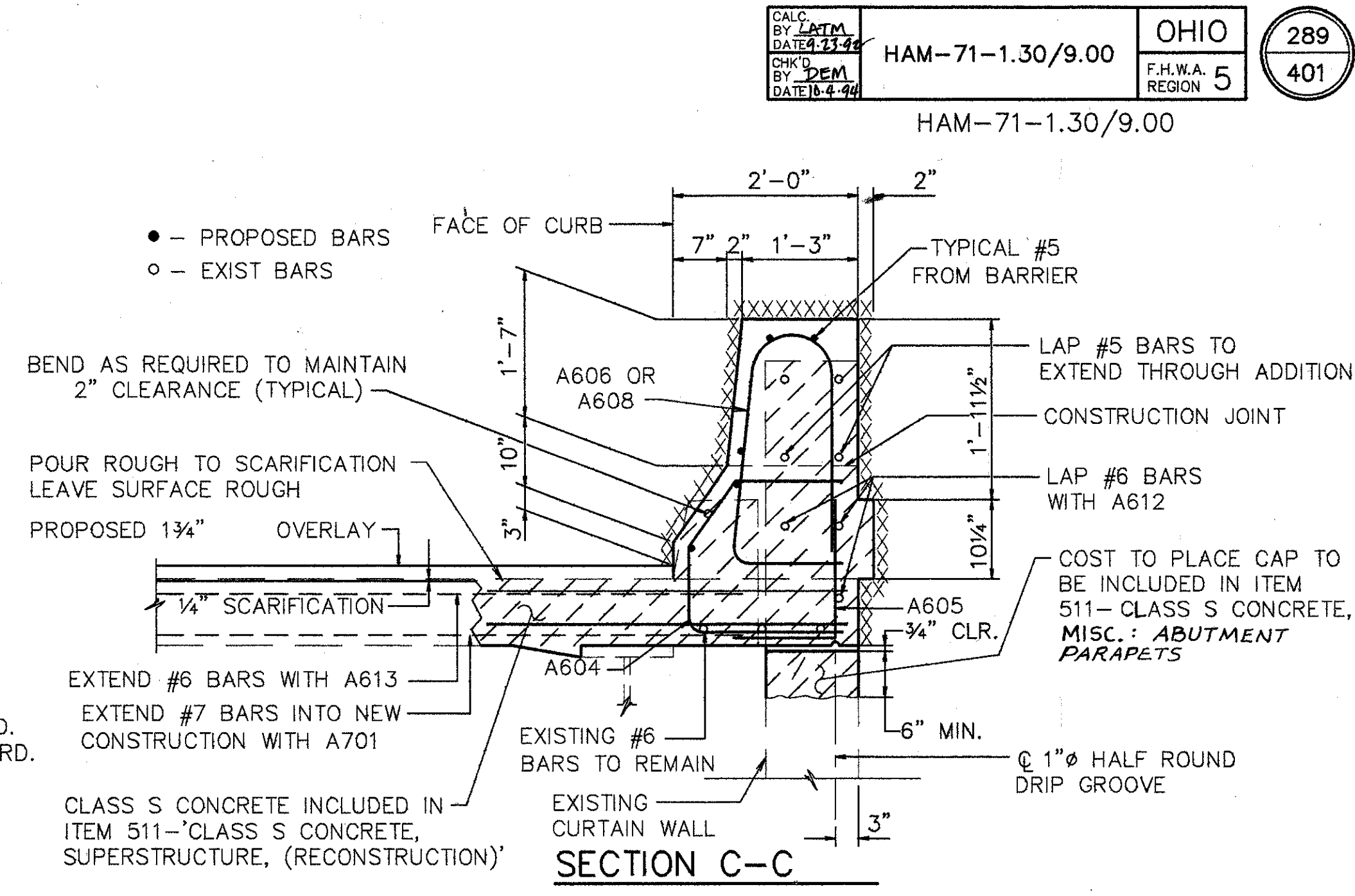
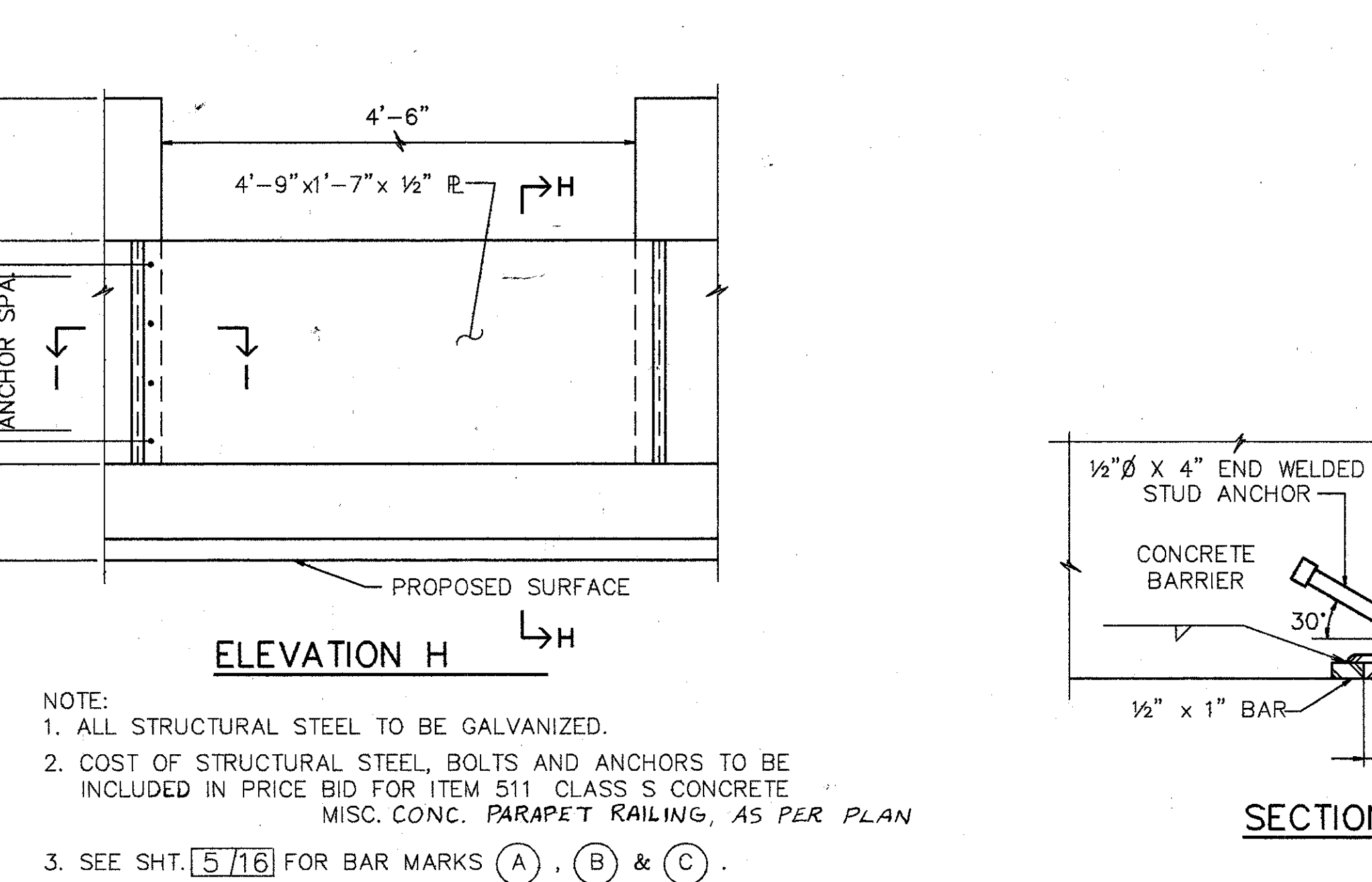
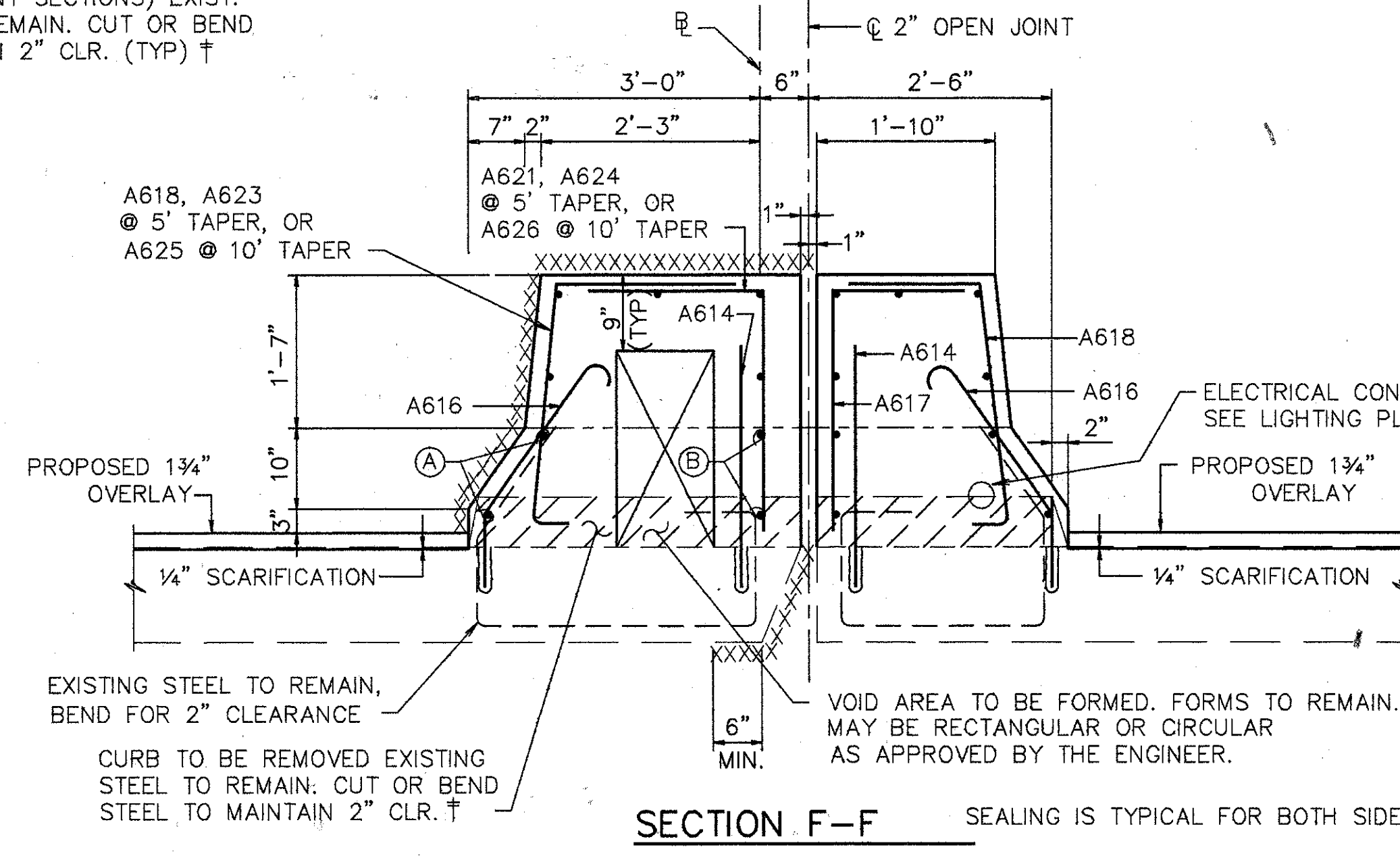
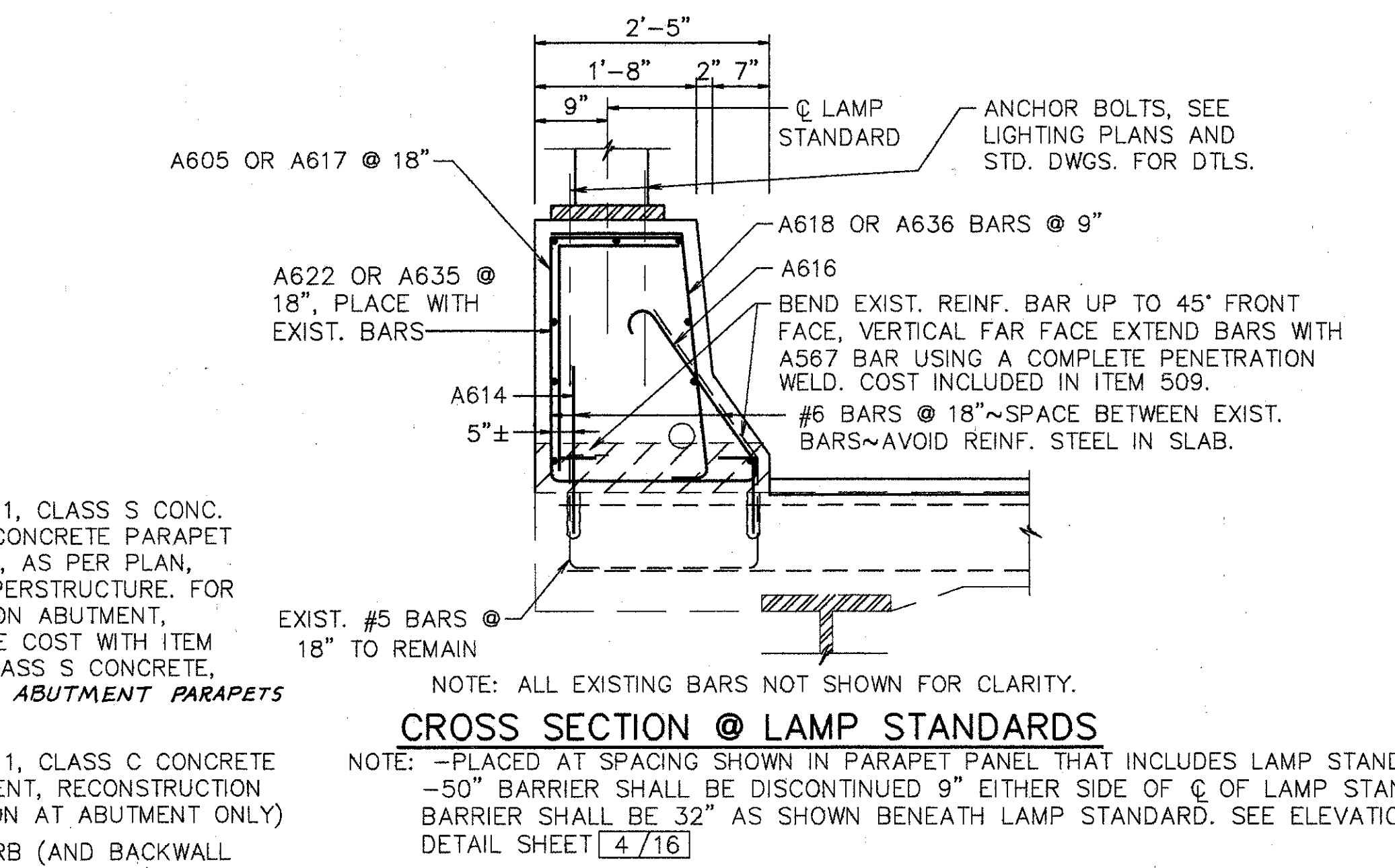
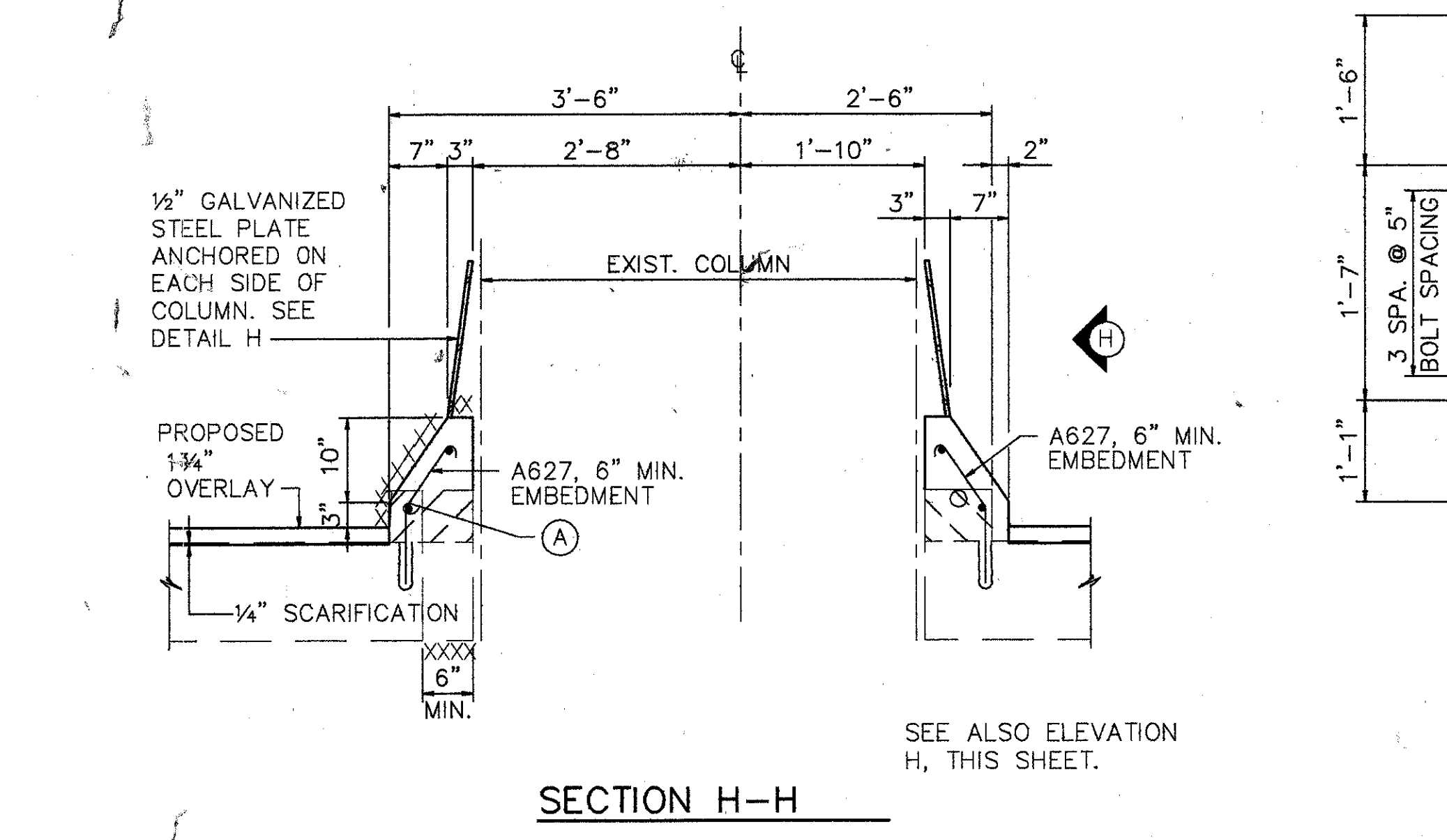
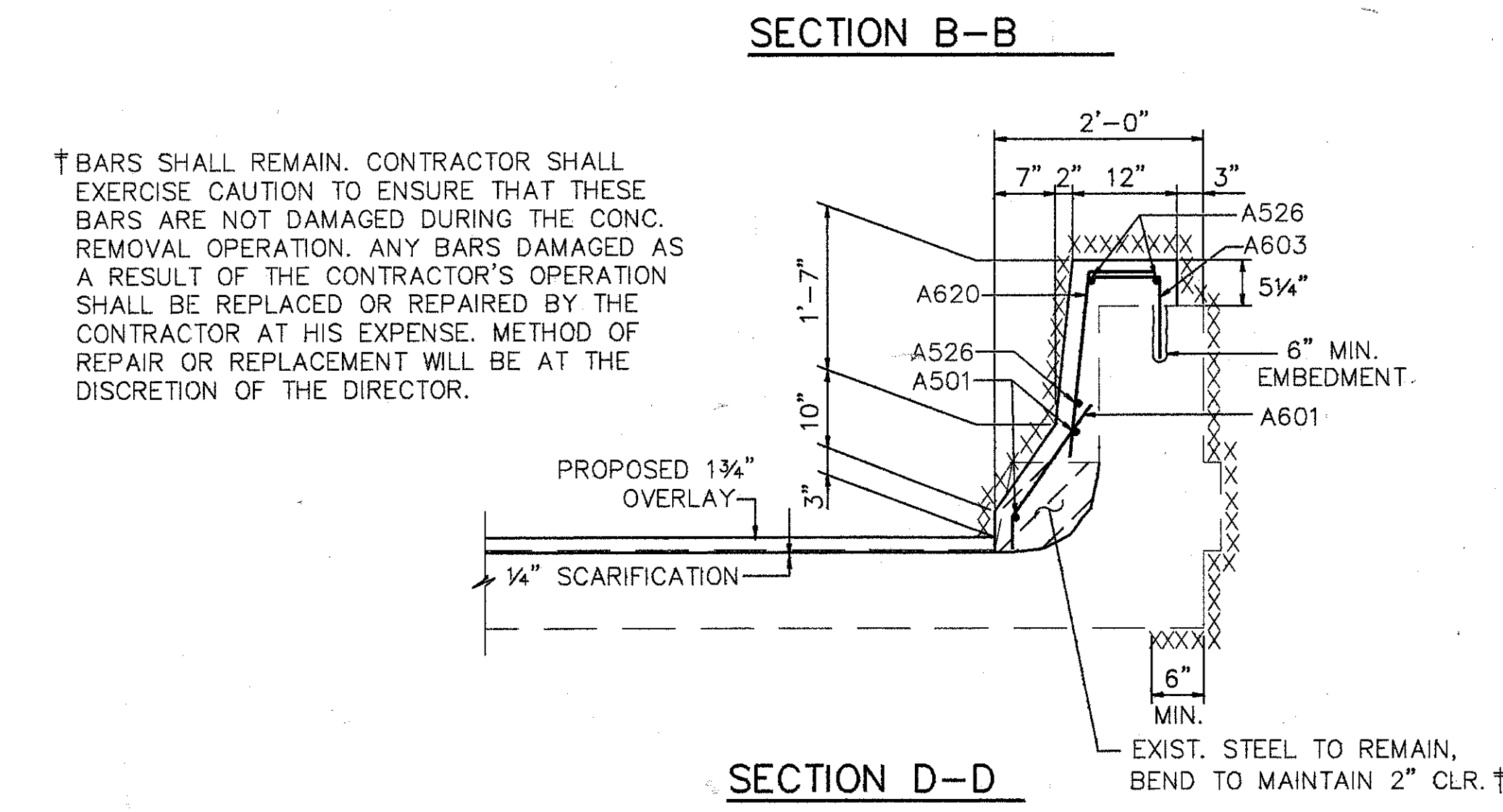
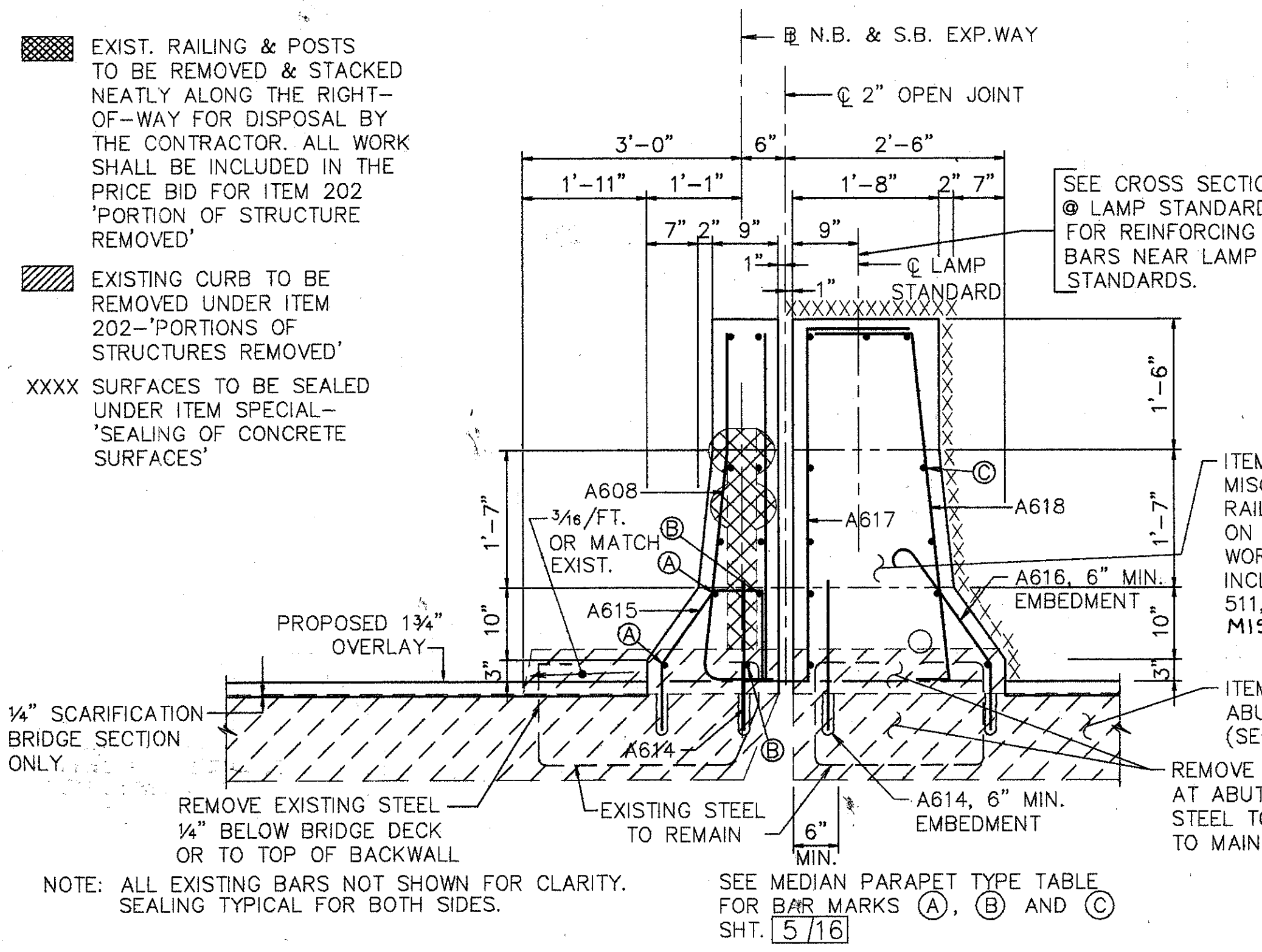
Plot File: W71-71-1.30-9.00.dwg  
 Date: 11/11/94 10:48 AM  
 User: L.A.T.M.  
 Plotter: HPGL-PT  
 Scale: 1/8"=1'-0"  
 Sheet: 10 of 16



EXIST. RAILING & POSTS TO BE REMOVED & STACKED NEATLY ALONG THE RIGHT-OF-WAY FOR DISPOSAL BY THE CONTRACTOR. ALL WORK SHALL BE INCLUDED IN THE PRICE BID FOR ITEM 202 'PORTION OF STRUCTURE REMOVED'

EXISTING CURB TO BE REMOVED UNDER ITEM 202-'PORTIONS OF STRUCTURES REMOVED'

XXXX SURFACES TO BE SEALED UNDER ITEM SPECIAL-'SEALING OF CONCRETE SURFACES'



**WOOLPERT CONSULTANTS**  
 409 E. MONUMENT AVENUE  
 DAYTON, OHIO 45402-1226  
 (513) 461-5660

11/16

**PARAPET SECTIONS**

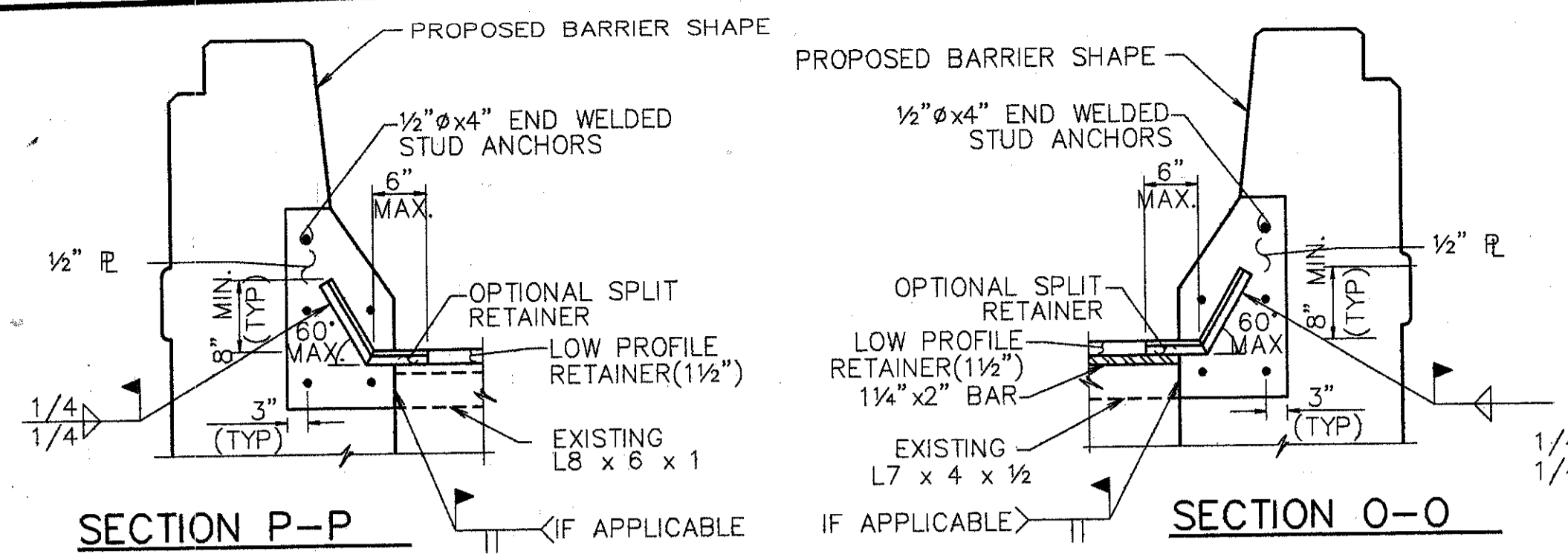
BRIDGE NO. HAM-71-0154  
 OVER S.B. 471

HAMILTON COUNTY

DESIGNED	DRAWN	TRACED	CHECKED	REVIEWED	DATE	REVISED
L.A.T.M.	D.E.E.		M.A.A.	11/11/94	D.E.M.	

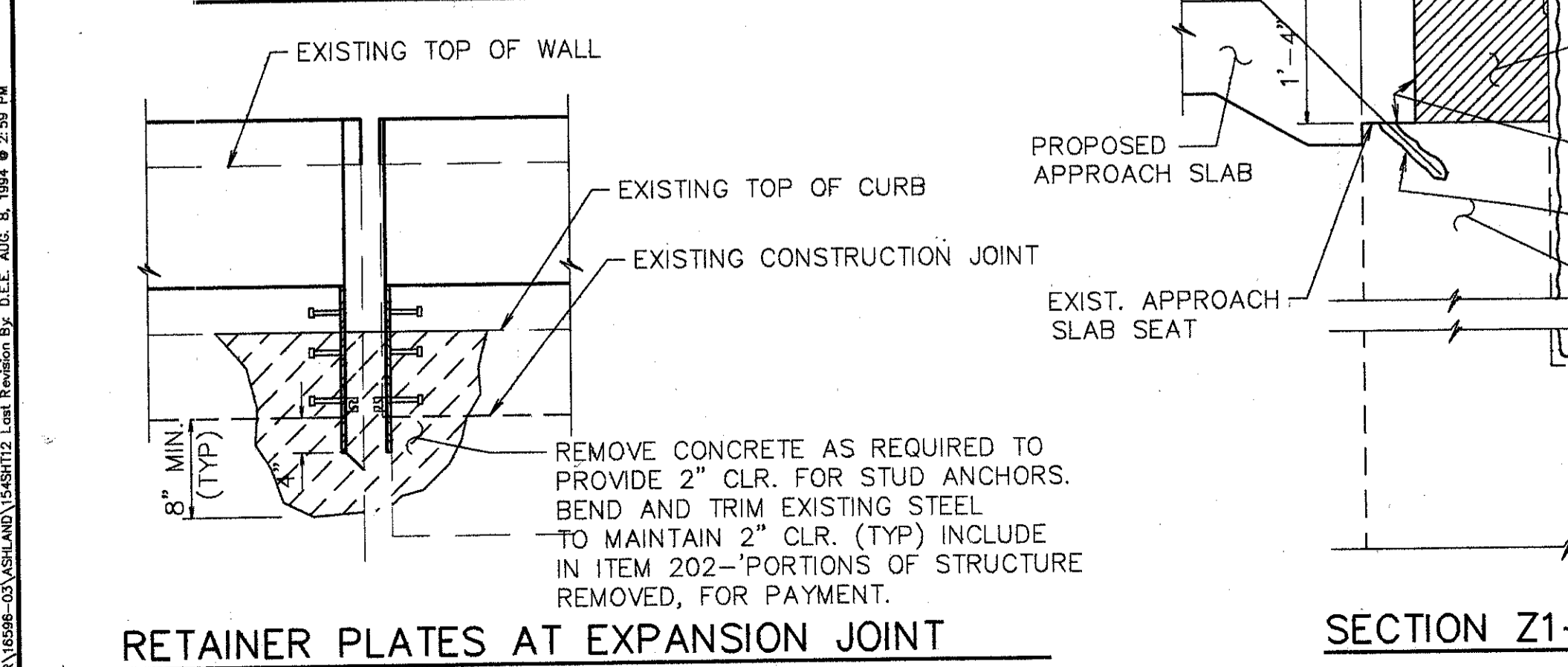
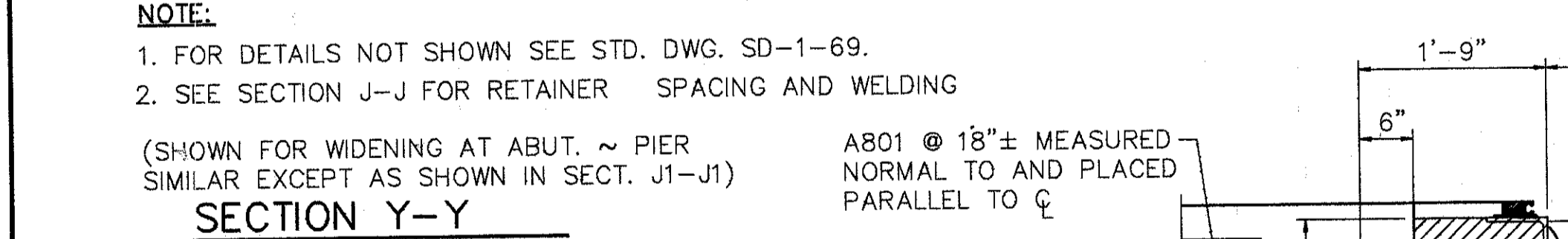
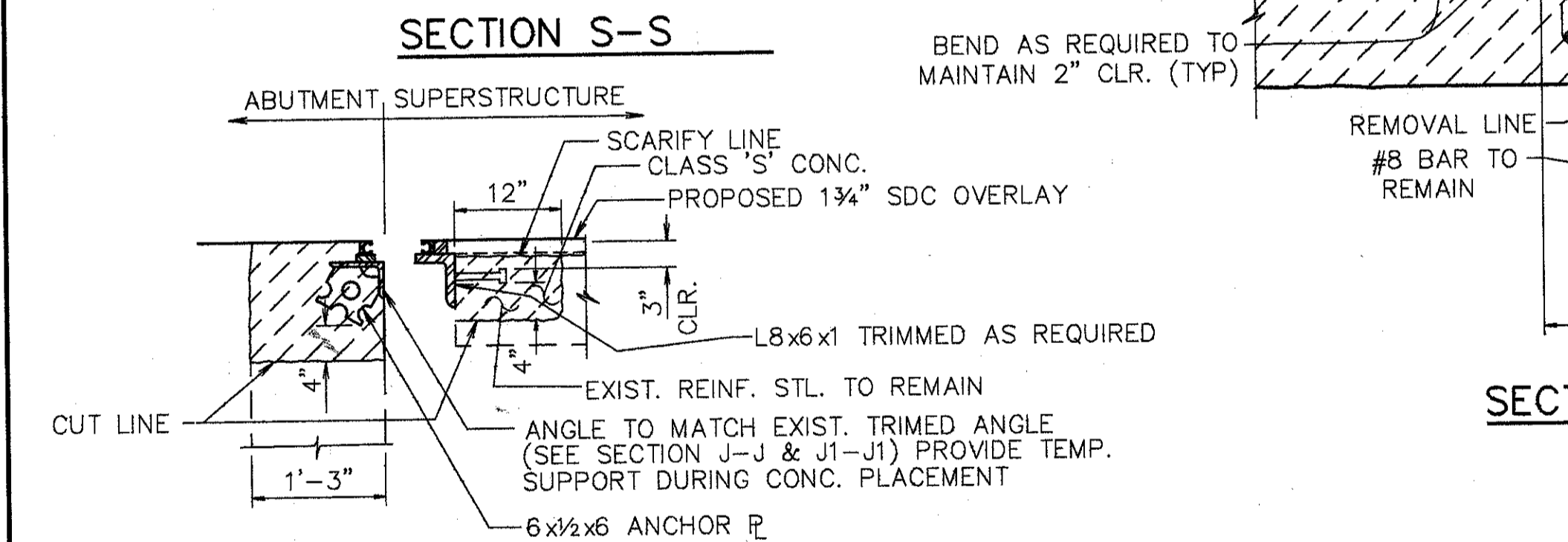
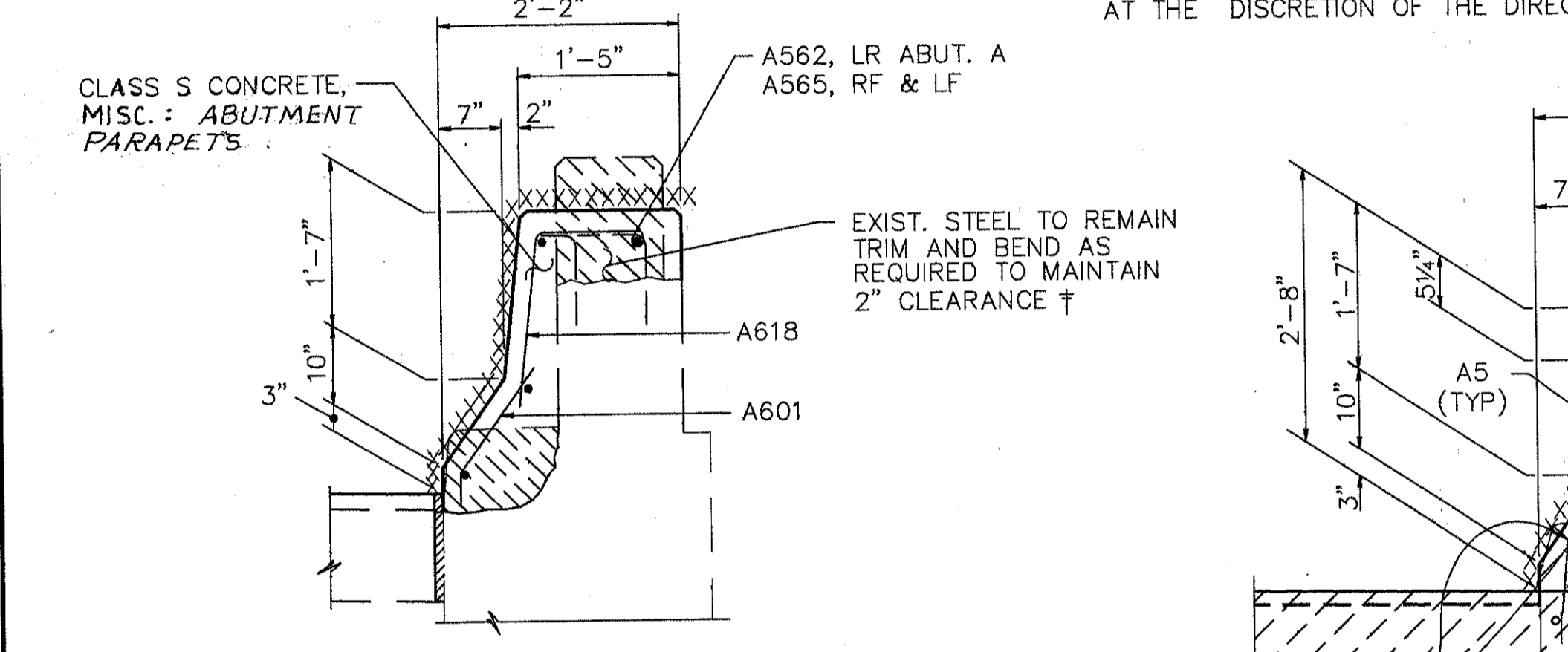
LAM FILE MAY 21, 1991 @ 10:46 AM  
 C:\VME\WORK\CONC\AM51\508111 Lam Revision By: D.E.E. APR. 15, 1993 @ 15:12 AM





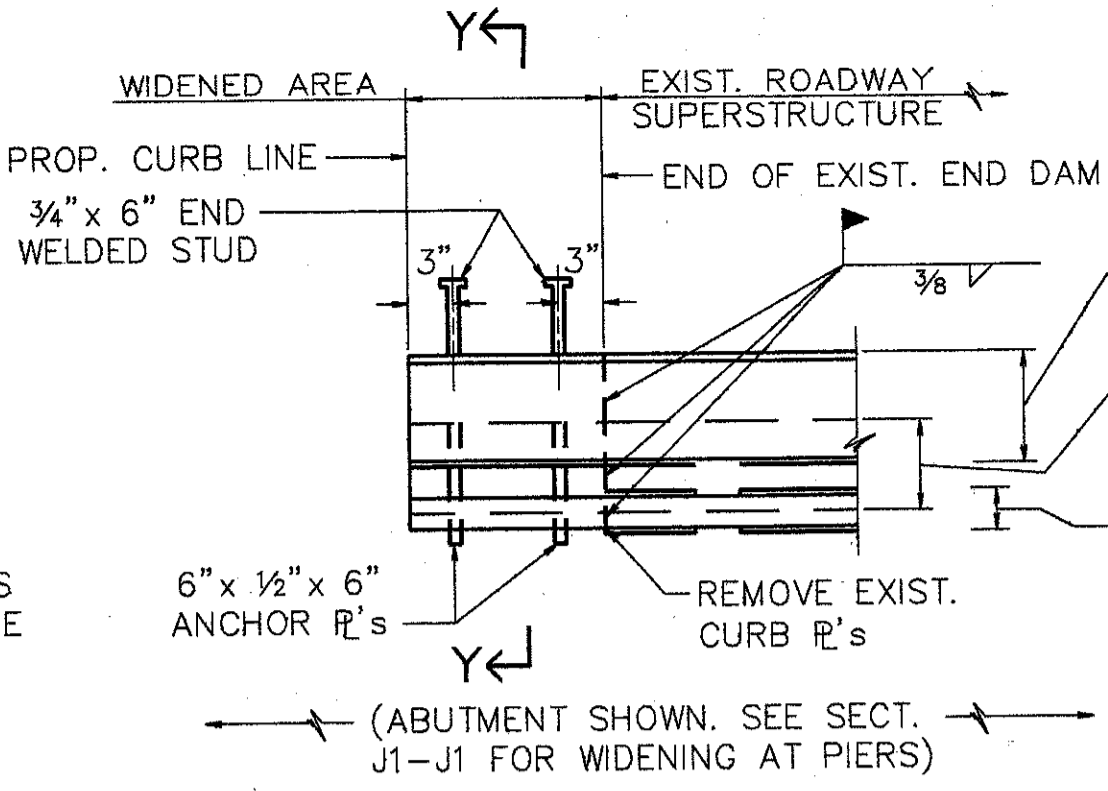
**NOTE:**  
 1. EXPANSION JT. DETAILS TO BE WORKED WITH STD. DWG. EXJ-4-87 SHTS. 1 thru 5.  
 2. WHEN PLATE IS RECESSED INTO ABUTMENT, CONCRETE BELOW PLATE SHALL BE SLOPED FROM BOTTOM OF THE PLATE TO THE END OF THE ABUTMENT TO DETER THE ACCUMULATION OF DEBIS.

† BARS SHALL REMAIN. CONTRACTOR SHALL EXERCISE CAUTION TO ENSURE THAT THESE BARS ARE NOT DAMAGED DURING THE CONCRETE REMOVAL OPERATION. ANY BARS DAMAGED AS A RESULT OF THE CONTRACTOR'S OPERATION, SHALL BE REPLACED OR REPAIRED BY THE CONTRACTOR AT HIS EXPENSE. METHOD OF REPAIR OR REPLACEMENT WILL BE AT THE DISCRETION OF THE DIRECTOR.



EXIST. CURB & PARAPET TO BE REMOVED UNDER ITEM 202--PORTIONS OF STRUCTURES REMOVED.  
 EXIST. RAILING & POSTS TO BE REMOVED & STACKED NEATLY ALONG THE RIGHT-OF-WAY FOR DISPOSAL BY THE CONTRACTOR. ALL WORK SHALL BE INCLUDED IN THE PRICE BID FOR ITEM 202--PORTIONS OF STRUCTURE REMOVED.  
 SURFACES TO BE SEALED UNDER ITEM SPECIAL--SEALING OF CONCRETE SURFACES.

**NOTES:**  
 1. PREFORMED EXPANSION JT. FILLER & SEALER AT CORNERS AND SIDES OF THE APP. SLAB SHALL BE INCLUDED IN THE PRICE BID PER SQ. YD. FOR THE APPR. SLAB.  
 2. TYPE 'A' WATERPROOFING AT THE BRIDGE LIMIT END OF THE APPROACH SLAB (AS PER STD. DWG. AS-1-81) SHALL BE INCLUDED IN THE PRICE BID FOR ITEM 611--REINFORCED CONCRETE, APPROACH SLABS.



**NOTES:**  
 1. END DAM WIDENING SHOWN IS FOR THE WEST EDGE OF MEDIAN.  
 2. FOR DETAILS & DIMS. NOT SHOWN SEE STD. DWG. SD-1-69.

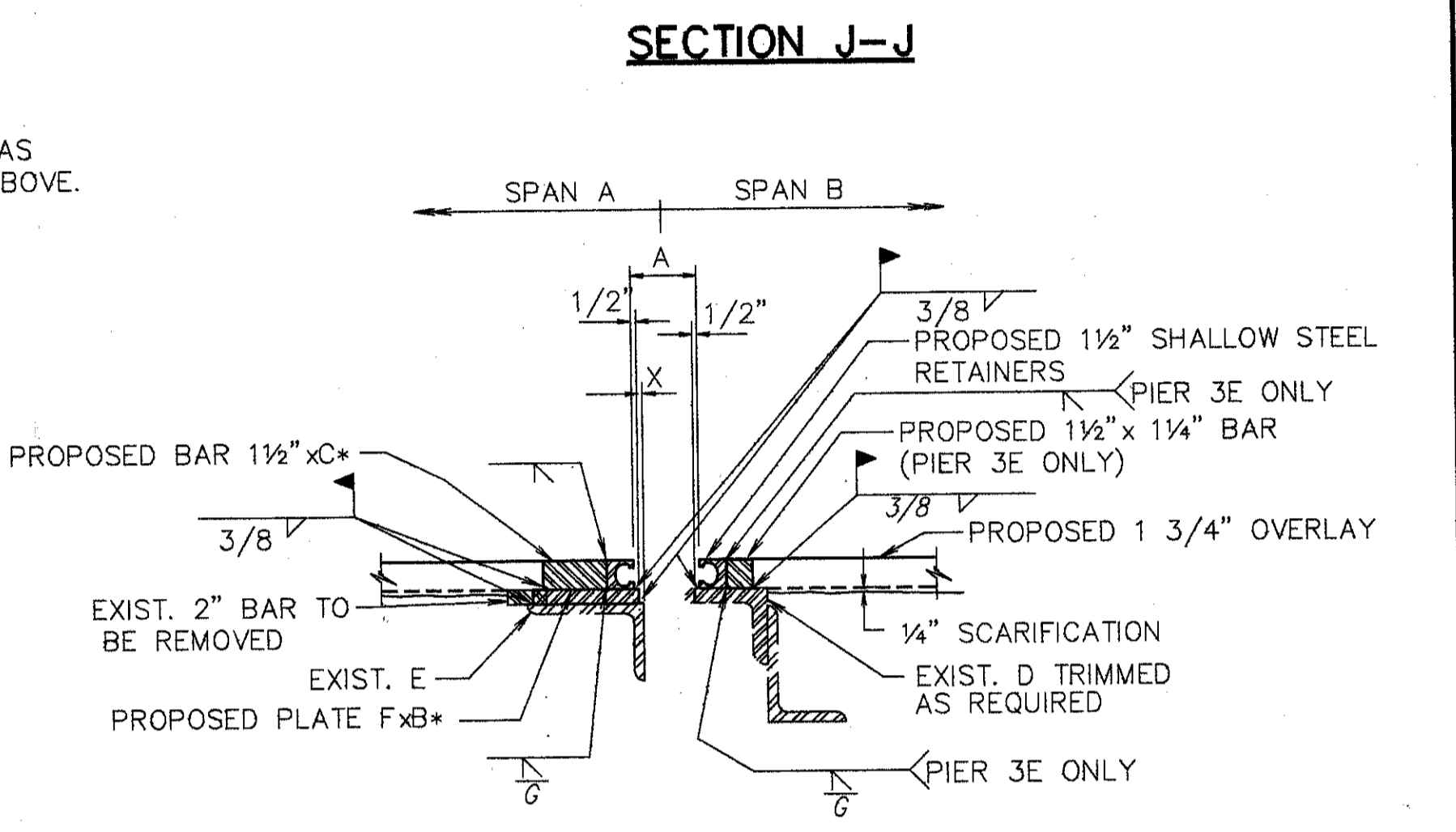
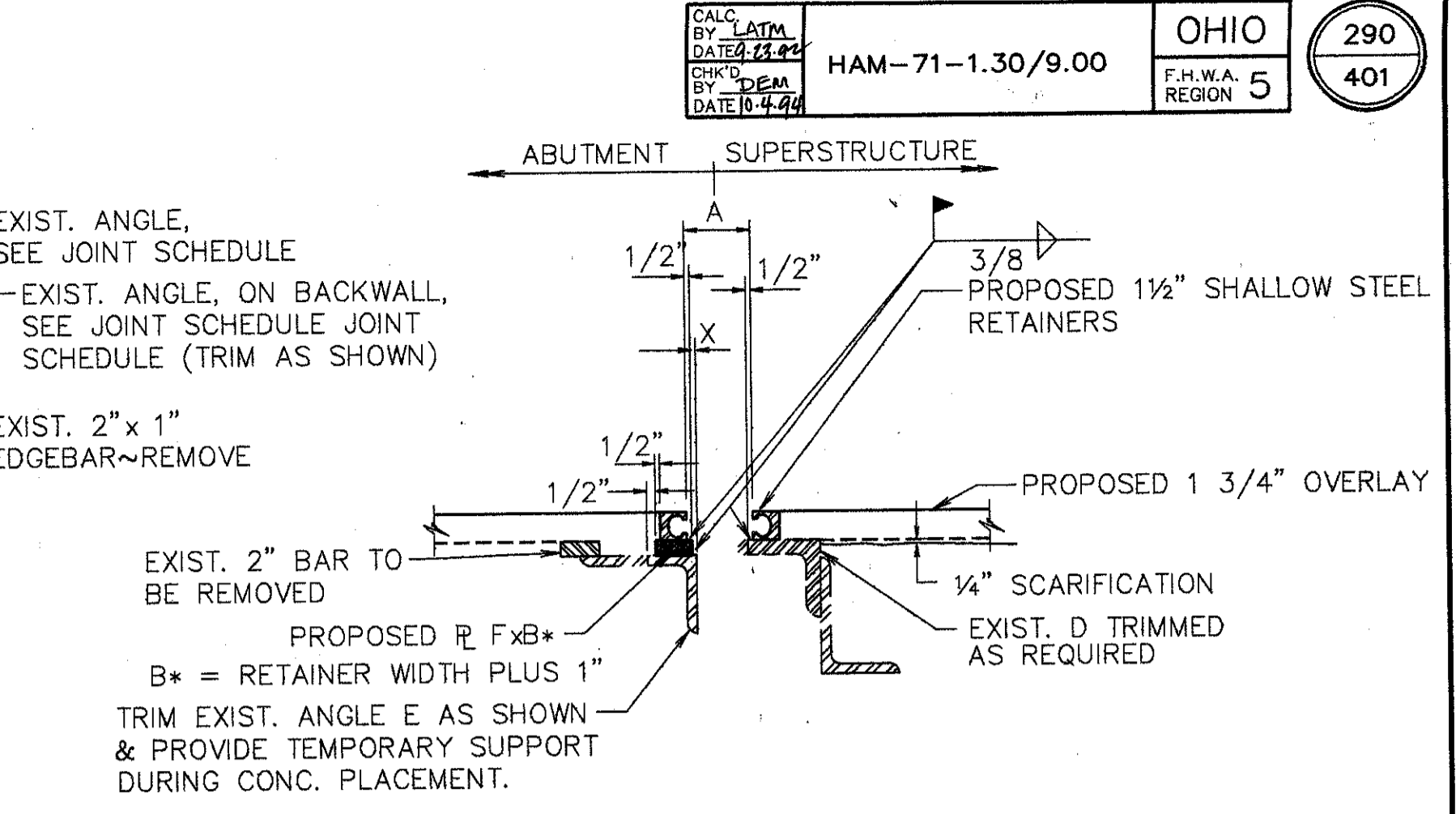
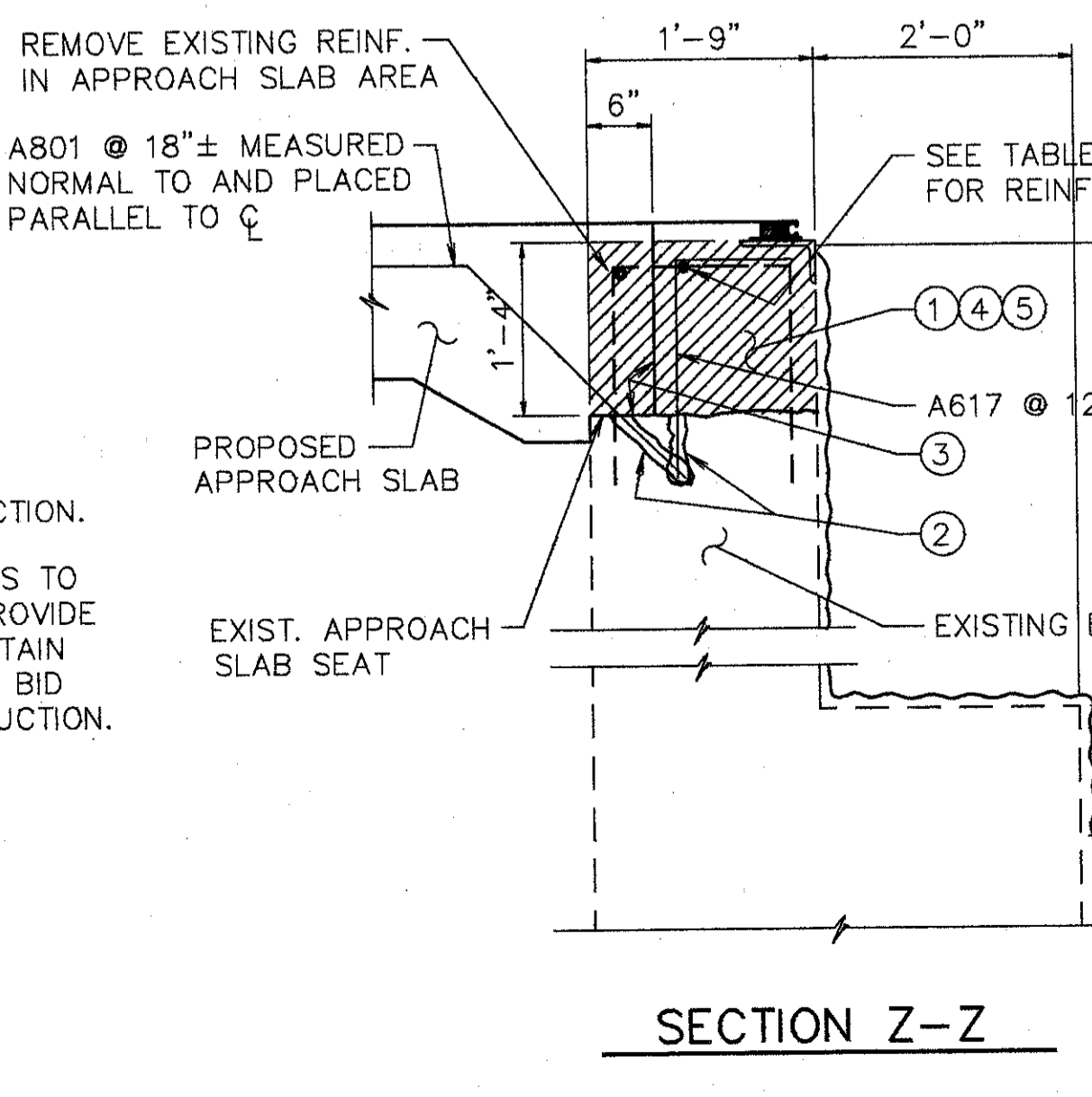
**PLAN END DAM WIDENED AREAS MEDIAN @ ABUTMENT**

FOR END DAM WIDENING AT PIERS PROVIDE NEW STEEL AS SECTION J1-J1. CONNECTION OF ANGLES AS DETAILED ABOVE.

TEMPERATURE	DIMENSION A					
	REAR LEFT	REAR RIGHT	REAR ABUT. B	PIER 3E	PIER 6	FORWARD
40° F	3 3/8	2 3/4	3 1/2	2 7/8	3 3/4	3 3/8
50° F	3 3/8	2 3/4	3 3/8	2 3/4	3 3/8	3
60° F	3	2 1/2	3 1/4	2 3/8	3 1/8	2 7/8
70° F	2 3/4	2 1/4	3 1/8	2 1/2	2 3/4	2 3/8
80° F	2 1/2	2 1/8	3	2 1/4	2 1/2	2 3/8
90° F	2 1/4	2	2 7/8	2 1/8	2 1/8	2 1/8

LOCATION	JOINT SCHEDULE			LOCATION	X
	D	E	F		
REAR ABUT. A	1.9x4x1	1.8x4x1/2	1 1/2"	REAR A-LEFT	1 3/4"
FORW. ABUT. & REAR ABUT. B	1.8x4x1	1.7x4x1/2	1"	REAR A-RIGHT	1/2"
PIER 3E	1.8x4x1	1.7x4x1/2	1"	REAR B	1/2"
PIER 6	1.9x4x1	1.8x4x3/4	1"	PIER 3E	1/2"
PIER 6	1.8x4x1	1.7x4x1/2	1"	PIER 6	1/2"
				FWD LEFT	1 1/8"
				FWD RIGHT	1 1/8"

TABLE A	RAMP ABUT. B		REAR ABUT. A		FORWARD ABUT.	
	L	R	L	R	L	R
SOUTH BOUND	-	-	A579	A576	A579	A578
NORTH BOUND	A577	A580	A576	A579	A576	A578



B\* = ANGLE LEG MINUS (1/2" + "X")  
 C\* = B\* MINUS WIDTH OF RETAINER MINUS 1"

**SECTION J1-J1**

**NOTES:**  
 1. CONTRACTOR TO VERIFY ALL DIMENSIONS PRIOR TO MODIFYING THE EXPANSION JOINT.  
 2. THE PRICE BID FOR ITEM 516--STRUCTURAL EXPANSION JOINTS, INCLUDING ELASTOMERIC STRIP SEALS, SHALL INCLUDE ALL LABOR, MATERIALS, EQUIPMENT, AND ANY OTHER INCIDENTAL ITEMS, AS DETAILED. REMOVAL OF CURB OR PARAPET AS SHOWN SHALL BE INCLUDED UNDER ITEM 202--PORTIONS OF STRUCTURE REMOVED.  
 3. FOR DETAILS NOT SHOWN REFER TO DRAWING EXJ-4-87 SHEETS 3 AND 4.  
 4. STRIP SEAL TO BE INSTALLED IN ONE CONTINUOUS PIECE (NO OPEN JOINTS).  
 5. PROVIDE TEMPORARY SUPPORT FOR END DAM DURING CONSTRUCTION. REMOVE TEMPORARY SUPPORT AS SOON AS CONCRETE HAS SET, PREFERABLY WITHIN TWO HOURS AFTER PLACING TO AVOID DAMAGE DUE TO EXPANSION AND CONTRACTION OF SUPERSTRUCTURE.

**WOOLPERT CONSULTANTS**  
 409 E. MONUMENT AVENUE  
 DAYTON, OHIO 45402-1226  
 (513) 461-5660

**MISCELLANEOUS DETAILS**

BRIDGE NO. HAM-71-0154  
 OVER S.B. 471

HAMILTON COUNTY

DESIGNED	DRAWN	TRACED	CHECKED	REVIEWED	DATE	REVISED
L.A.T.M.	D.E.E.		M.A.A.	D.E.M11/11/94		



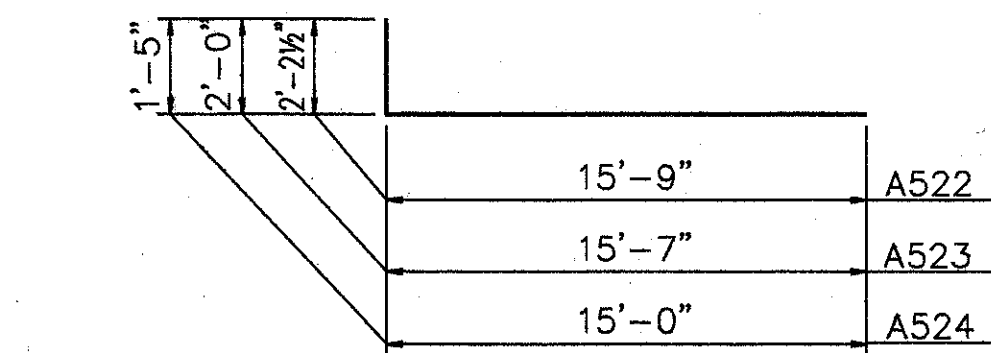
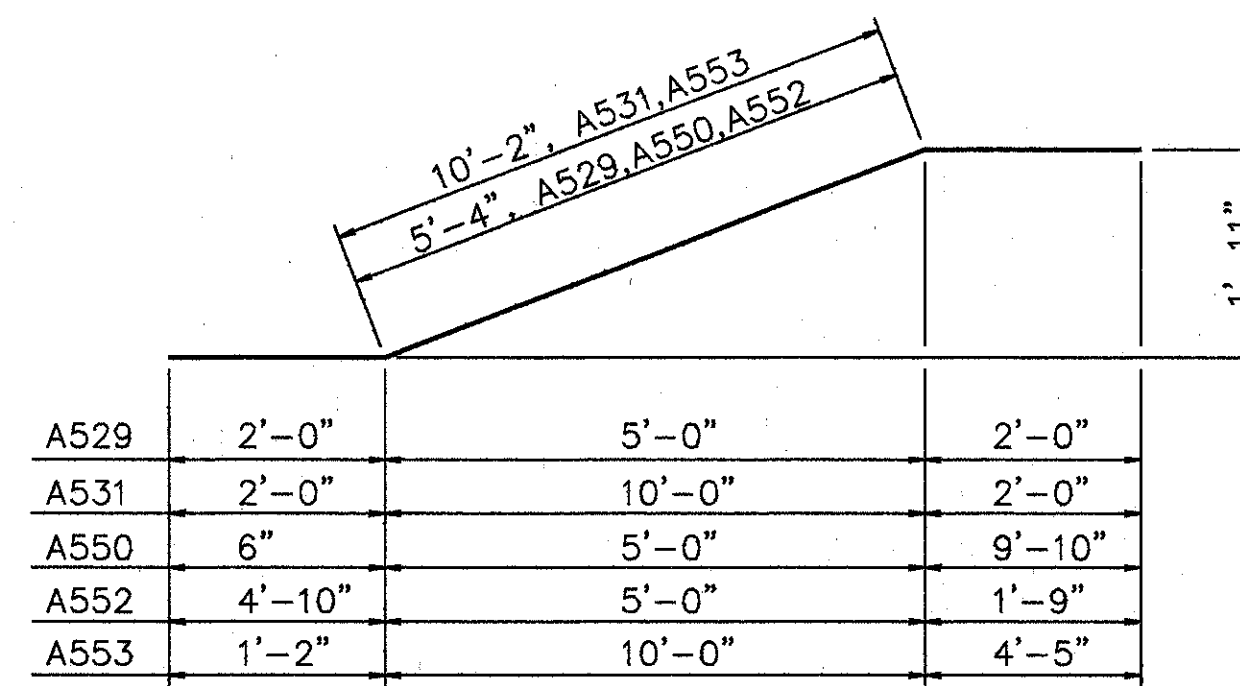
REINFORCING STEEL LIST

MARK	SHAPE	NUMBER	LENGTH	WEIGHT
A501	STR.	436	30'-0"	13642
A502	STR.	2	15'-0"	31
A503	STR.	477	15'-8"	7794
A504	STR.	111	16'-8"	1929
A505	STR.	3	15'-6"	48
A506	STR.	15	14'-0"	219
A507	STR.	119	16'-10"	2089
A508	STR.	3	9'-0"	28
A509	STR.	4	7'-6"	31
A510	STR.	2	12'-0"	13
A511	STR.	78	17'-3"	1403
A512	STR.	4	23'-10"	99
A513	STR.	3	22'-11"	72
A514	STR.	69	17'-1"	1229
A515	STR.	1	7'-10"	8
A516	STR.	4	10'-8"	45
A517	STR.	9	4'-10"	45
A518	STR.	2	18'-0"	38
A519	STR.	2	26'-8"	57
A520	STR.	2	26'-6"	55
A521	BNT. †	3	12'-8"	40
A522	BNT.	2	17'-10"	37
A523	BNT.	2	17'-6"	37
A524	BNT.	2	16'-4"	34
A525	STR.	21	17'-8"	387
A526	BNT. †	3	24'-10"	78
A527	STR.	7	8'-0"	58
A528	STR.	20	4'-0"	100
A529	BNT.	4	9'-4"	39
A530	STR.	4	22'-10"	95
A531	BNT.	4	14'-2"	59
A532	STR.	2	5'-0"	10
A533	STR.	4	19'-10"	83
A534	STR.	6	18'-6"	116
A535	STR.	2	9'-8"	20
A536	STR.	2	24'-8"	51
A537	STR.	8	25'-10"	216
A538	STR.	12	5'-2"	65

MARK	SHAPE	NUMBER	LENGTH	WEIGHT
A539	STR.	28	5'-5"	158
A540	STR.	288	6'-8"	2003
A541	STR.	10	6'-10"	71
A542	STR.	226	7'-2"	1689
A543	STR.	7	7'-8"	56
A544	STR.	14	8'-3"	120
A545	STR.	7	9'-9"	71
A546	STR.	7	10'-10"	79
A547	STR.	11	11'-8"	134
A548	STR.	19	13'-3"	263
A549	STR.	21	14'-8"	321
A550	BNT.	3	15'-7"	49
A551	STR.	3	5'-7"	18
A552	BNT.	3	11'-10"	37
A553	BNT.	3	15'-8"	49
A554	STR.	13	14'-6"	197
A555	STR.	3	13'-8"	43
A556	STR.	7	8'-10"	64
A557	STR.	7	1'-11"	14
A558	STR.	13	3'-8"	50
A559	STR.	7	5'-4"	39
A560	BNT.	3	10'-8"	38
A561	BNT.	3	13'-10"	43
A562	BNT.	4	3'-3"	14
A563	STR.	42	1'-3"	55
A564	BNT.	8	4'-8"	39
A565	STR.	8	3'-0"	25
A566	STR.	4	16'-0"	67
* A567	STR.	70	2'-0"	146
A568	STR.	5	12'-7"	66
A569	STR.	3	9'-6"	30
A570	STR.	3	4'-4"	14
A571	STR.	3	3'-11"	12
A572	STR.	3	4'-2"	13
A573	STR.	3	5'-11"	19
A574	STR.	3	7'-11"	25
A575	STR.	6	6'-5"	40
A576	STR.	3	8'-0"	25

MARK	SHAPE	NUMBER	LENGTH	WEIGHT
A577	STR.	1	8'-6"	9
A577	STR.	2	10'-0"	21
A577	STR.	3	12'-0"	38
A580	STR.	1	15'-9"	16
REPLACEMENT STEEL				900
SUB-TOTAL				37575

BENT BAR DETAILS



L.A.T.M. MAY 21, 1991 © 10:42 AM  
 65 STRAINING - CONSTRUCTION/REINFORCING LIST REVISION BY: BACH, JUN. 4, 1992 © 1:44 PM


**WOOLPERT CONSULTANTS**  
 409 E. MONUMENT AVENUE  
 DAYTON, OHIO 45402-1226  
 (513) 461-5660

STEEL REINFORCEMENT LIST

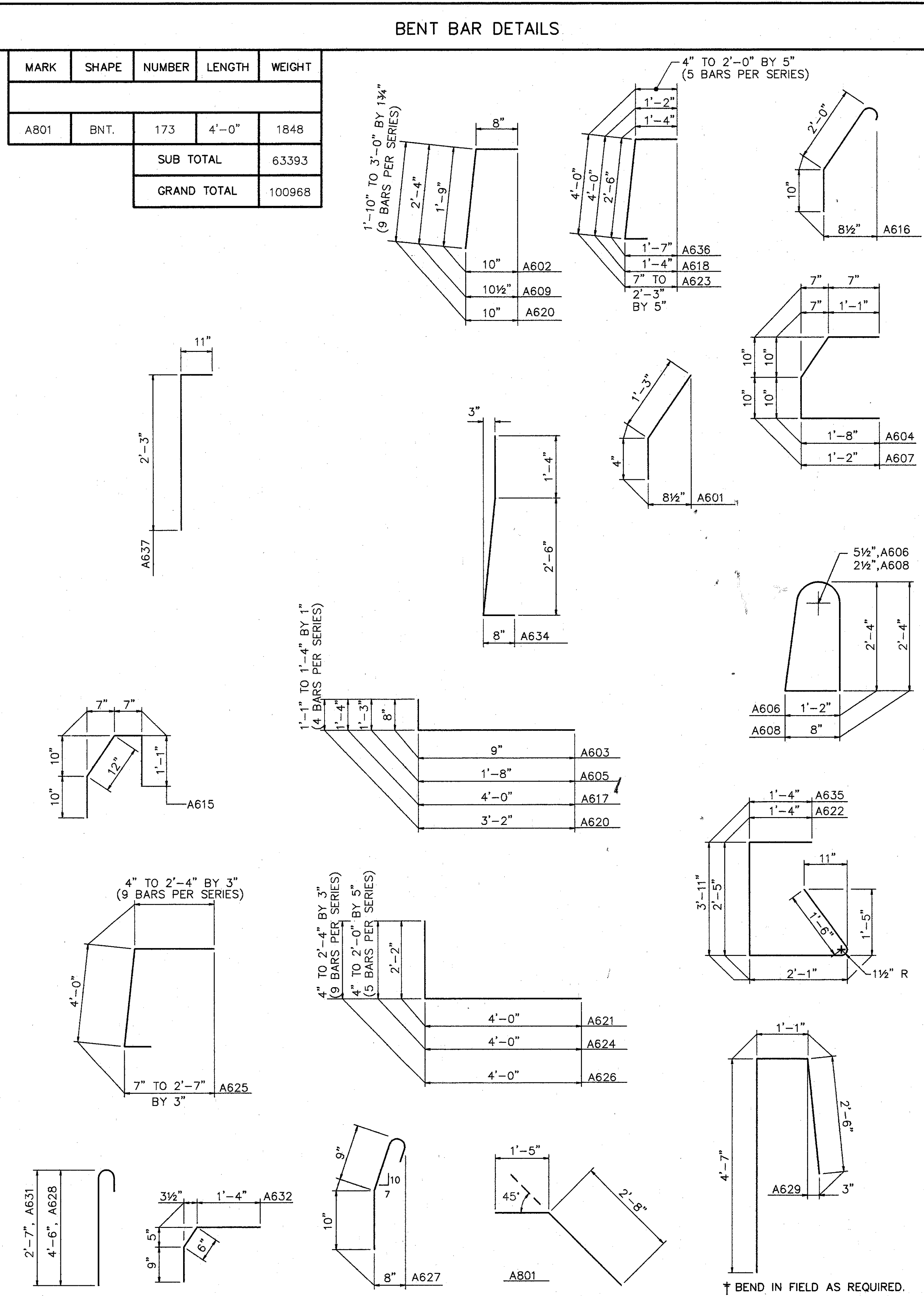
BRIDGE NO. HAM-71-0154  
 OVER S.B. 471

HAMILTON COUNTY

DESIGNED	DRAWN	TRACED	CHECKED	REVIEWED	DATE	REVISED
L.A.T.M.	D.E.E.		M.A.A.	D.E.M11/11/94		

† BEND IN FIELD AS REQUIRED.  
 \* BAR TO BE WELDED WITH FULL PENETRATION  
 WELD. BAR SHALL BE GRADE 40.

REINFORCING STEEL LIST				
MARK	SHAPE	NUMBER	LENGTH	WEIGHT
A601	BNT.	2176	1'-6"	4902
A602	BNT.	2160	2'-5"	7840
A603	BNT.	2173	1'-3"	4080
A604	BNT.	19	4'-3"	121
A605	BNT.	32	2'-9"	132
A606	BNT.	19	6'-2"	176
A607	BNT.	4	3'-3"	20
A608	BNT.	17	5'-1"	130
A609	BNT.	6	3'-9"	34
A610	STR.	2	7'-6"	23
A611	STR.	8	3'-3"	39
A612	STR.	20	4'-3"	128
A613	STR.	8	3'-6"	42
A614	STR.	1855	2'-9"	7662
A615	BNT.	869	3'-2"	4133
A616	BNT.	990	2'-9"	4312
A617	BNT.	891	5'-2"	6914
A618	BNT.	961	5'-7"	8059
A619	BNT.	9	2'-4" TO 3'-6"	39
A620	BNT.	5	4'-1" TO 4'-4"	25
A621	BNT.	55	6'-0"	496
A622	BNT.	4	7'-0"	42
A623	BNT.	10	4'-9" TO 6'-5"	84
A624	BNT.	10	4'-2" TO 5'-10"	75
A625	BNT.	18	4'-9" TO 6'-9"	155
A626	BNT.	18	4'-2" TO 6'-2"	140
A627	BNT.	30	1'-5"	64
A628	BNT.	8	4'-9"	57
A629	BNT.	4	7'-10"	47
A630	STR.	862	3'-9"	4855
A631	BNT.	1	2'-11"	4
A632	BNT.	1	2'-5"	4
A633	STR.	8	5'-4"	64
A634	BNT.	862	4'-4"	5610
A635	BNT.	28	8'-6"	357
A636	BNT.	8	4'-4"	52
A637	BNT.	74	3'-0"	333



MARK	SHAPE	NUMBER	LENGTH	WEIGHT
A801	BNT.	173	4'-0"	1848
SUB TOTAL				63393
GRAND TOTAL				100968

ITEM	ITEM EXT.	TOTAL	UNITS	DESCRIPTION
202	11200	LUMP SUM	L.S.	PORTIONS OF STRUCTURE REMOVED
202	2350I	12700	S.Y.	WEARING COURSE REMOVED (ASPHALT), AS PER PLAN
509	15830	100673	LBS.	EPOXY COATED REINFORCING STEEL, GRADE 60
510	12201	247	L.F.	DOWEL HOLES, AS PER PLAN
511	34450	14	C.Y.	CLASS S CONCRETE, MISC.: ABUTMENT PARAPETS
511	34400	8	C.Y.	CLASS S CONCRETE, SUPERSTRUCTURE (RECONSTRUCTION)
511	34450	483	C.Y.	CLASS S CONCRETE, MISC.: CONCRETE PARAPET RAILING, AS PER PLAN
511	45700	21	C.Y.	CLASS C CONCRETE, ABUTMENT (RECONSTRUCTION)
SPECIAL	51267500	5725	S.Y.	SEALING OF CONCRETE SURFACE *
SPECIAL	51267502	1090	S.Y.	SEALING OF CONCRETE SURFACE (EPOXY) *
513	21000	17	EACH	TRIMMING OF BEAM END
514	27704	LUMP	L.S.	FIELD PAINTING, MISC: FIELD PAINTING EXISTING STEEL, EEU *
516	10901	115	L.F.	ELASTOMERIC COMPRESSION SEAL, AS PER PLAN
516	11210	494	L.F.	STRUCTURAL EXP. JT., INCLUDING ELASTOMERIC STRIP SEALS
516	14600	195	L.F.	MISC. STRUCTURAL JOINT OR JOINT SEALER: 2"x4" SEALER, AS PER PLAN
516	45304	80	EACH	REFURBISH BEARING DEVICE
517	76201	2520	L.F.	RAILING FACED, AS PER PLAN (32" HIGH)
516	45307	4	EACH	REFURBISH BEARING DEVICE, AS PER PLAN
518	12800	13	EACH	SCUPPER MODIFICATION
518	63300	LUMP SUM	L.S.	STRUCTURE DRAINAGE, MISC: MODIFY DRAINAGE PIPING
519	11100	345	S.F.	PATCHING CONCRETE STRUCTURE
SPECIAL	51912600	160	L.F.	CONCRETE REPAIR BY EPOXY INJECTION *
625				FOR LIGHTING SUMMARY SEE LIGHTING PLANS
845	40210	14573	S.Y.	LATEX MODIFIED CONCRETE OVERLAY (1 1/2" THICK) ON EXISTING DECK
845	11000	224	C.Y.	LATEX MODIFIED CONCRETE OVERLAY (VARIABLE THICKNESS)
845	30000	1	C.Y.	FULL DEPTH REPAIR
SPECIAL	53000400	166	EACH	STRUCTURE MISC.: LATERAL BRACING GUSSET PLATE RETROFIT (INTERMEDIATE)
516	14600	500	L.F.	SEAL JOINT BETWEEN ABUTMENT AND CONCRETE SLOPE PROTECTION
518	63300	LUMP	L.S.	SCUPPER AND DRAINAGE PIPE CLEANOUT
601	21100	10	S.F.	REPAIR CONCRETE SLOPE PROTECTION
513	15501	200	LBS.	STRUCTURAL STEEL (MISC. AND CASTINGS), AS PER PLAN

- SCARIFY EXISTING DECK 1/4", AND REMOVE DETERIORATED CONCRETE AS DIRECTED BY THE ENGINEER. \* SEE PROPOSAL NOTE
- CLEAN AND PAINT ALL REAR ABUTMENT, PIER 3E AND PIER6 BEARINGS. REFURBISH ALL FORWARD ABUTMENT BEARINGS.
- MODIFY PARAPETS ON BRIDGE AND ABUTMENT AS PER PLAN (INCLUDING MEDIAN).
- PLACE 1 1/4" THICK LATEX MODIFIED CONCRETE ON DECK.
- REFURBISH DRAINAGE PIPING.
- SEAL JOINTS, AS NOTED.
- SEAL TRANSVERSE EXPANSION JOINTS WITH STRIP SEALS. SEAL LONGITUDINAL EXPANSION JOINTS WHERE SPECIFIED WITH COMPRESSION SEALS.
- FILL BACKWALL CRACKS WITH EPOXY. RECONSTRUCT ABUTMENT BACKWALLS ABOVE APPROACH SLAB SEAT.
- TRIM BEAM ENDS.
- RETROFIT LATERAL BRACING. FOR DETAILS SEE SHEETS
- AT LEAST ONE LANE OF TRAFFIC SHALL BE MAINTAINED IN EACH DIRECTION AND ON THE BRIDGE AT ALL TIMES. FOR NOTES SEE MAINTENANCE OF TRAFFIC PLANS. MAINTENANCE OF TRAFFIC PLAN REQUIRES CONSTRUCTION PHASING LIMITS AT LANE CENTERLINES. DUE TO THESE LIMITS, OVERLAY AND BACKWALL CONSTRUCTION MAY REQUIRE SPECIAL ATTENTION.
- OTHER WORK AS DESCRIBED IN THESE PLANS.

**PROPOSED WORK**

**WOOLPERT CONSULTANTS**  
 409 E. MONUMENT AVENUE  
 DAYTON, OHIO 45402-1226  
 (513) 461-5660

14/16

**QUANTITIES AND GENERAL NOTES**

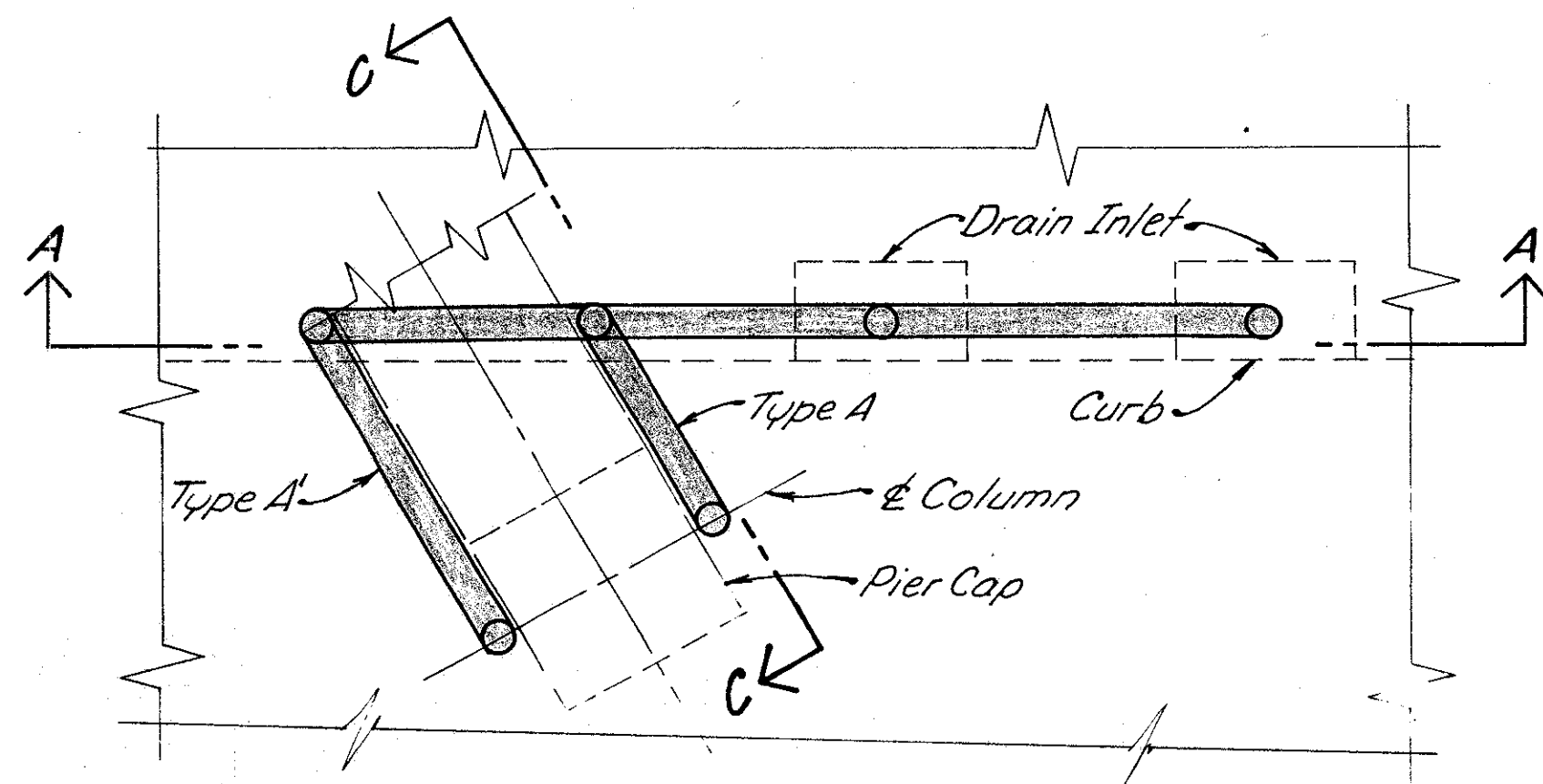
BRIDGE NO. HAM-71-0154  
 OVER S.B. 471

HAMILTON COUNTY

DESIGNED	DRAWN	TRACED	CHECKED	REVIEWED	DATE	REVISED
L.A.T.M.	D.E.E.		M.A.A.	D.E.M11/11/94		

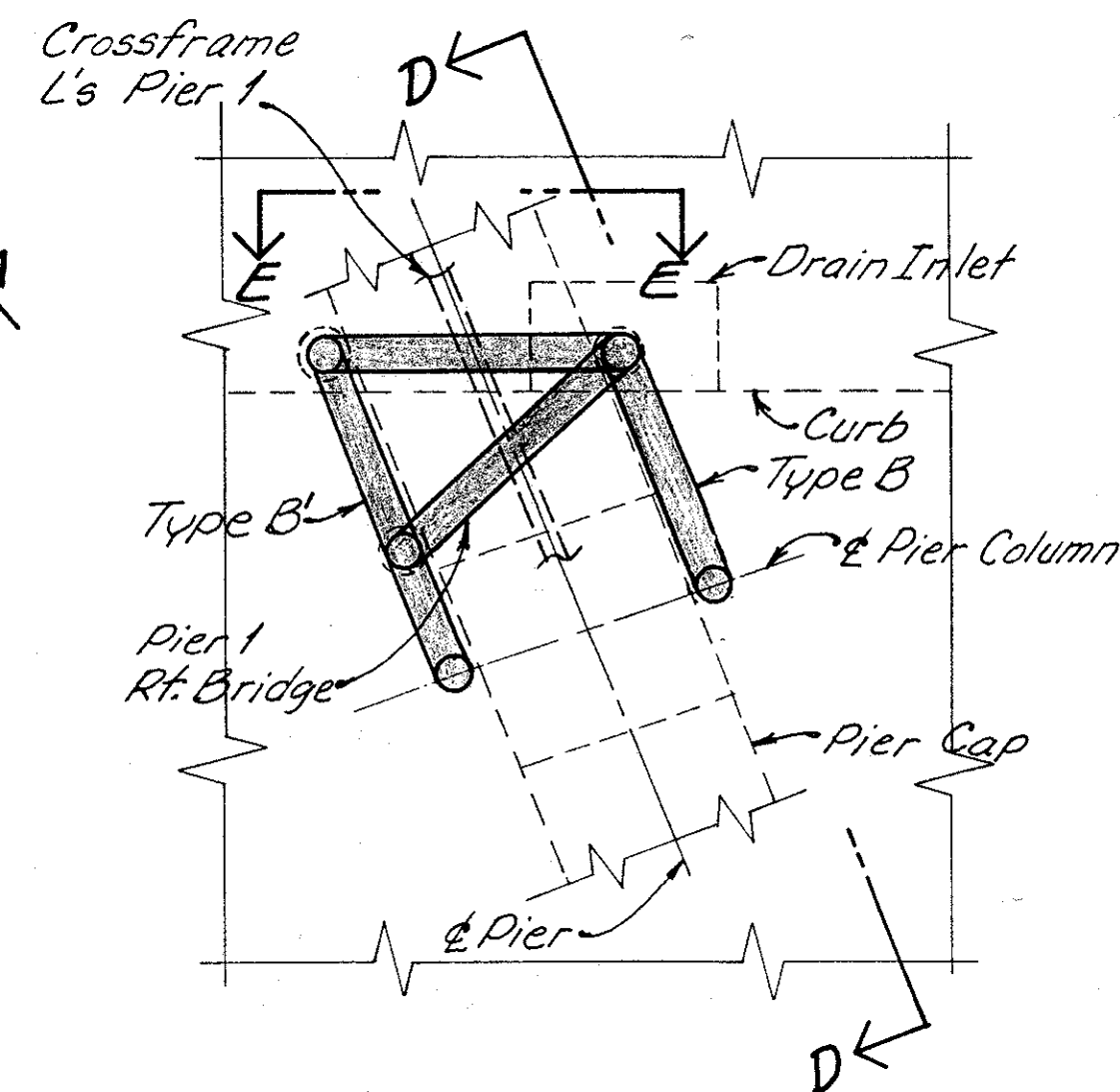
L.A.T.M. MAY 21, 1991 © 10:44 AM  
 G:\STR\10596-CO\SHILAND\DISHT14.Lot Revision By: DRACH MAY 18, 1994 @ 3:13 PM



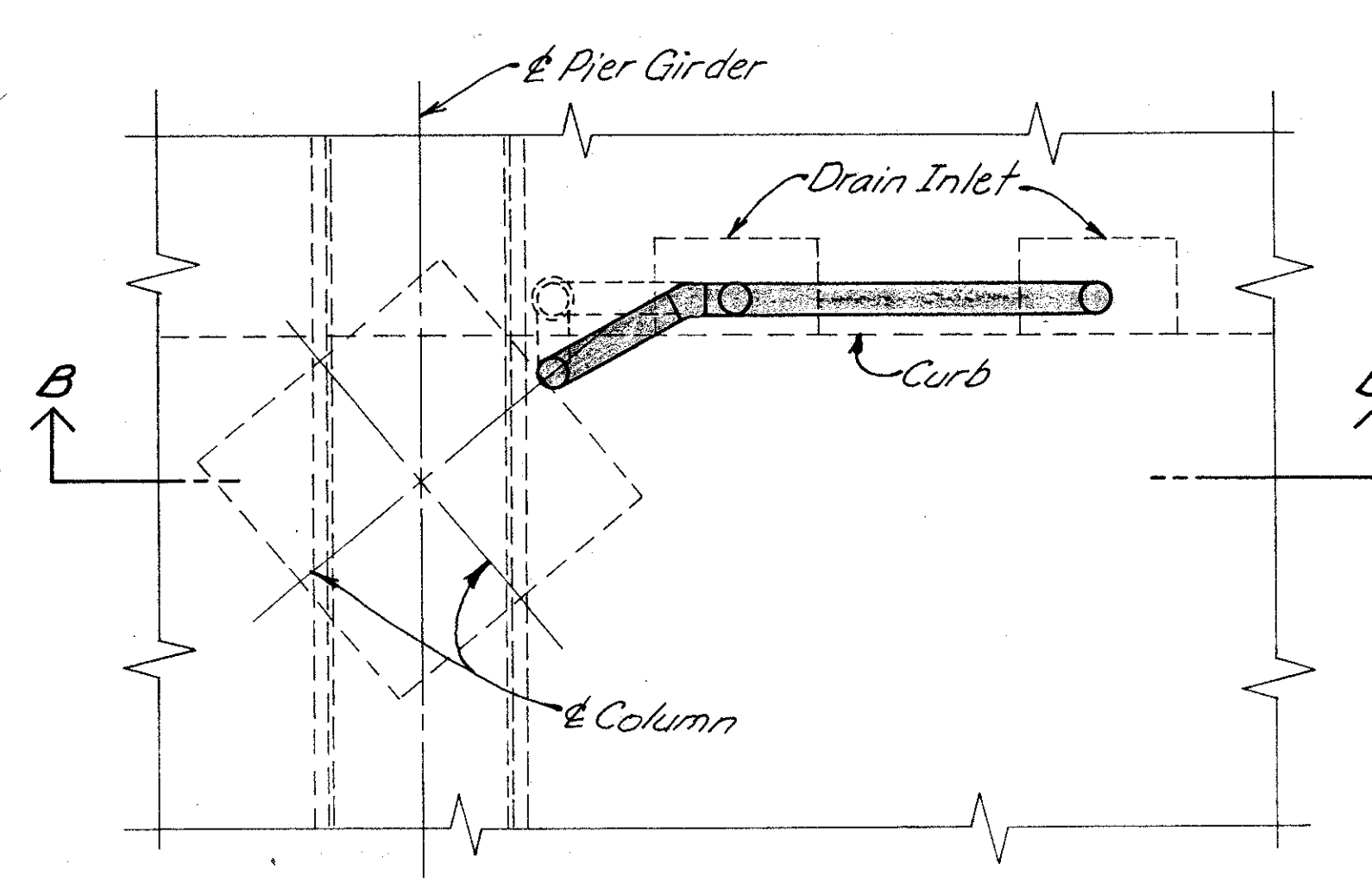


**PLAN FOR TYPE A OR A'**

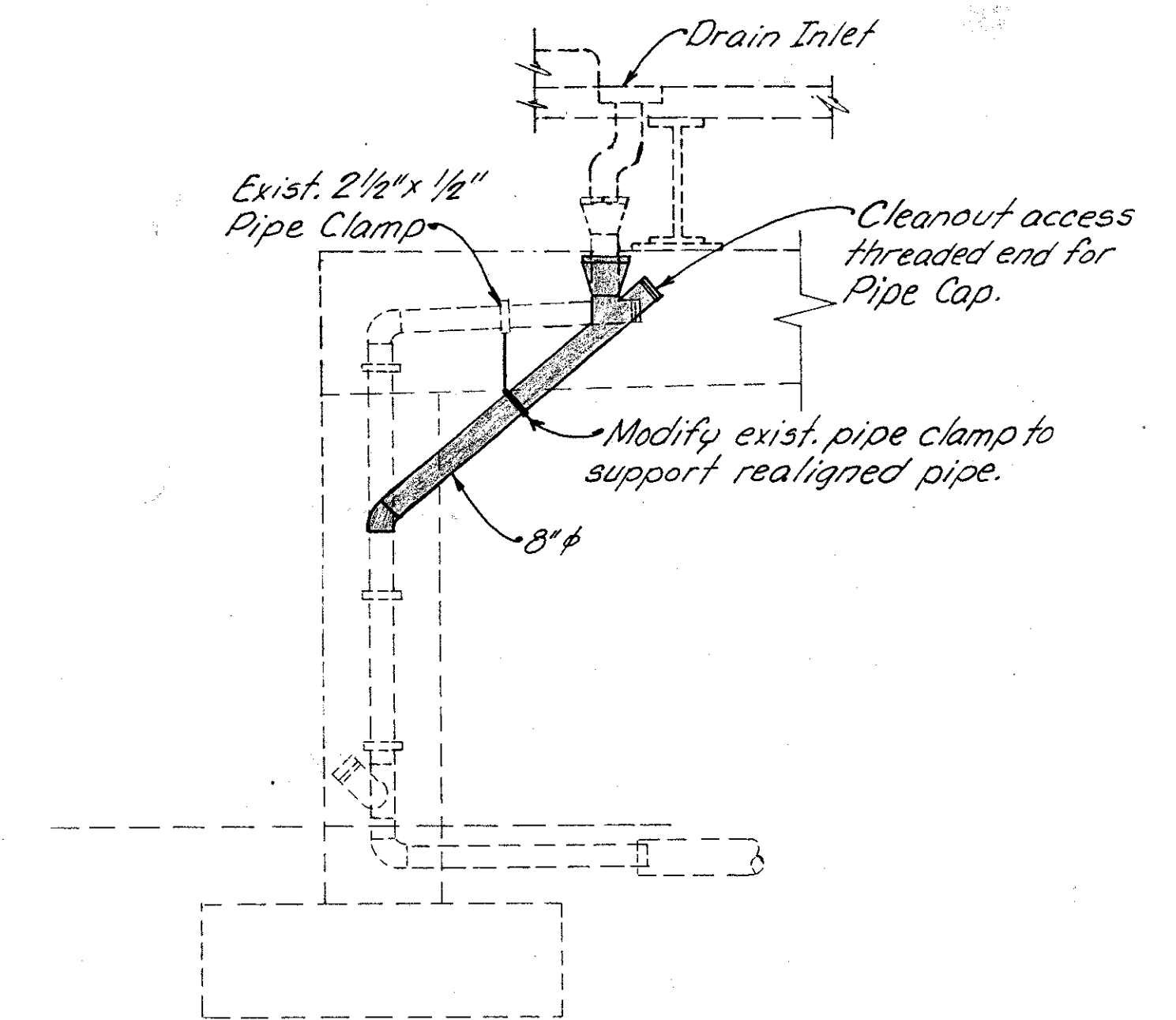
NOTE: Type of plan to be used depends on Location of Inlet with respect to pier. (See Site Plan)



**PLAN FOR TYPE B OR B'**

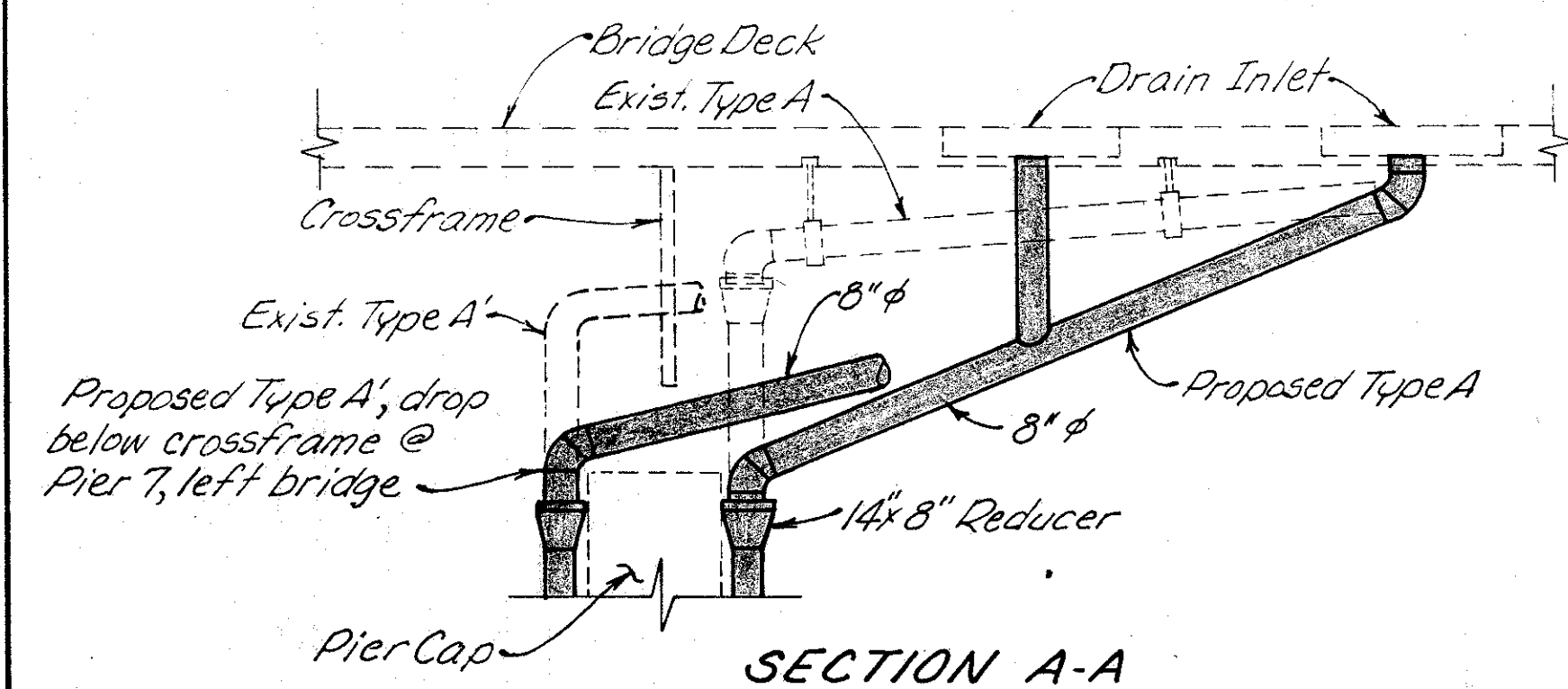


**PLAN FOR TYPE C**

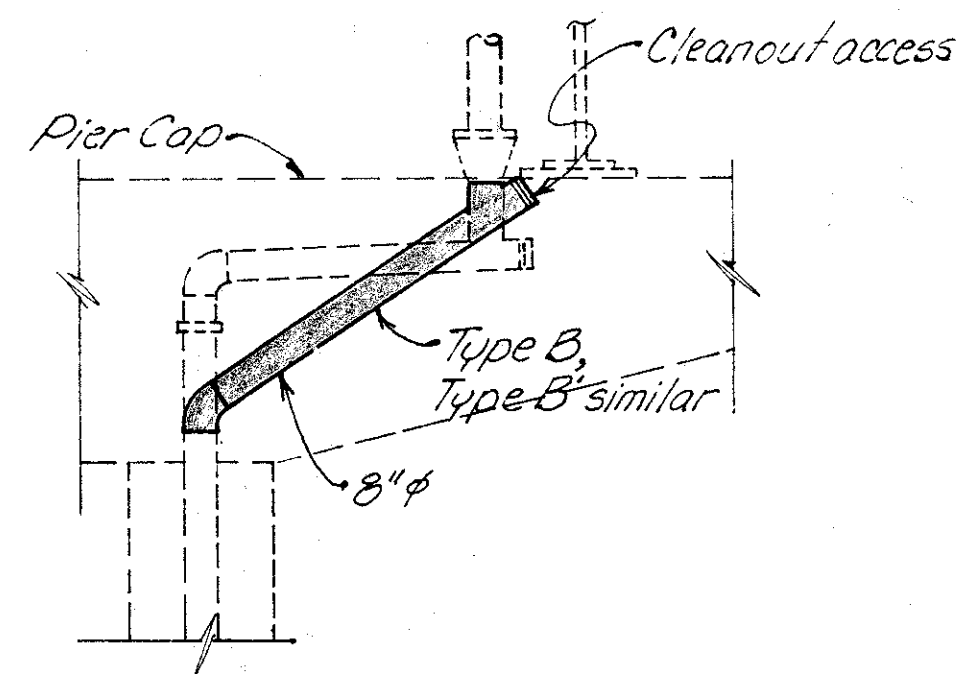


**SECTION C-C**

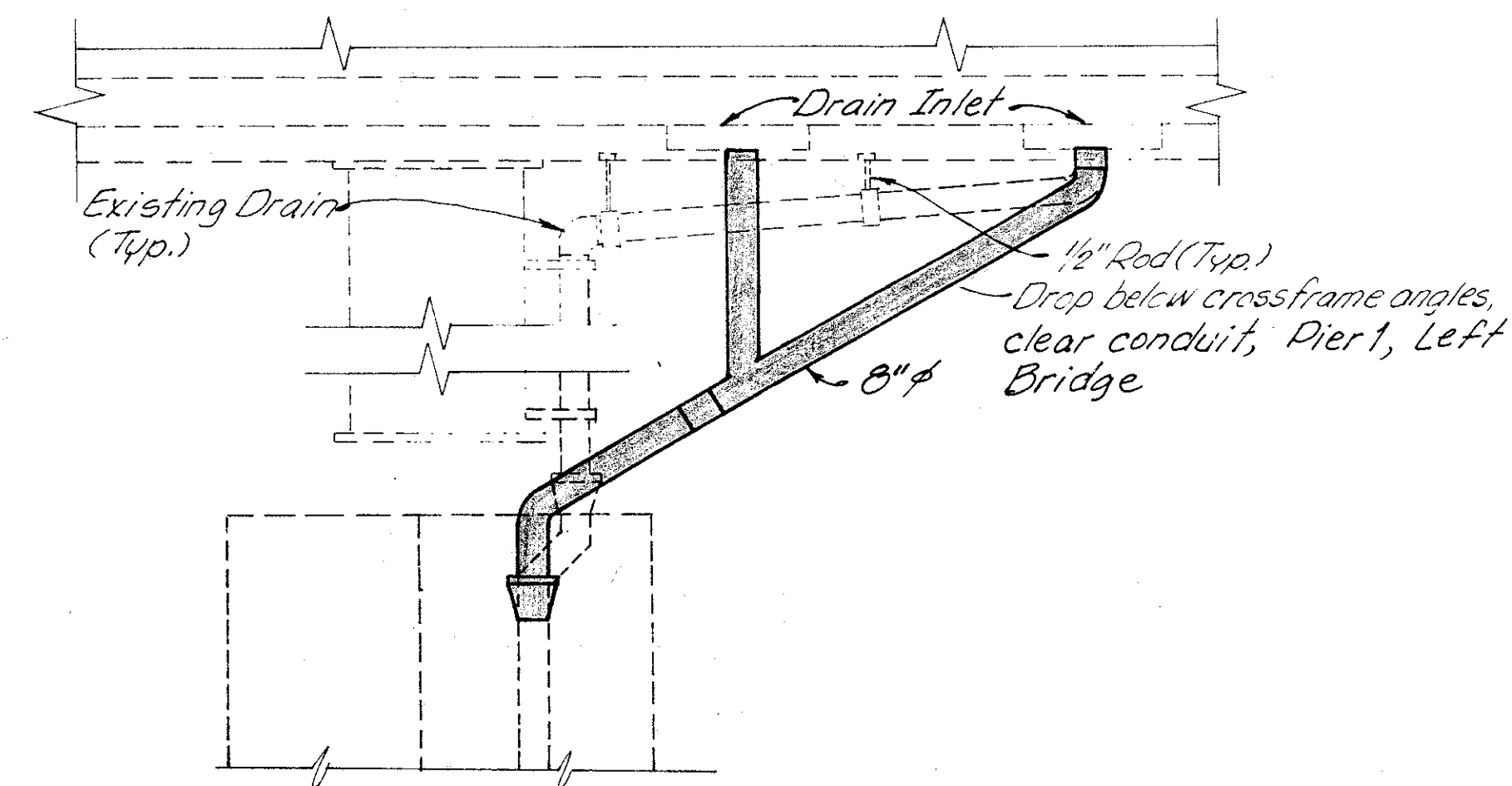
(Type A)  
(Type A' similar)



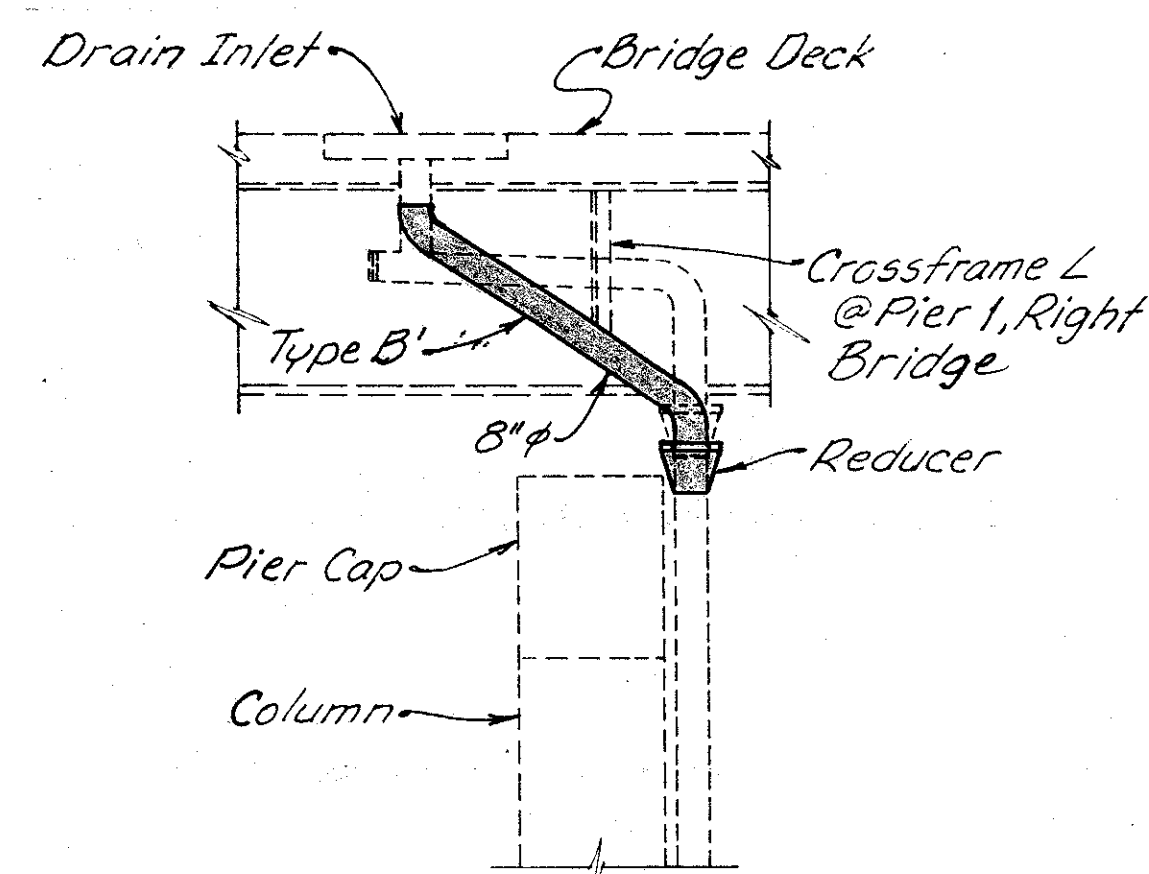
**SECTION A-A**



**SECTION D-D**



**SECTION B-B**



**SECTION E-E**

1. For drainage piping requirements see General Notes sht. 273/401

2. Approximate No. of Linear Feet of proposed 8" pipe (including specials) = 360'

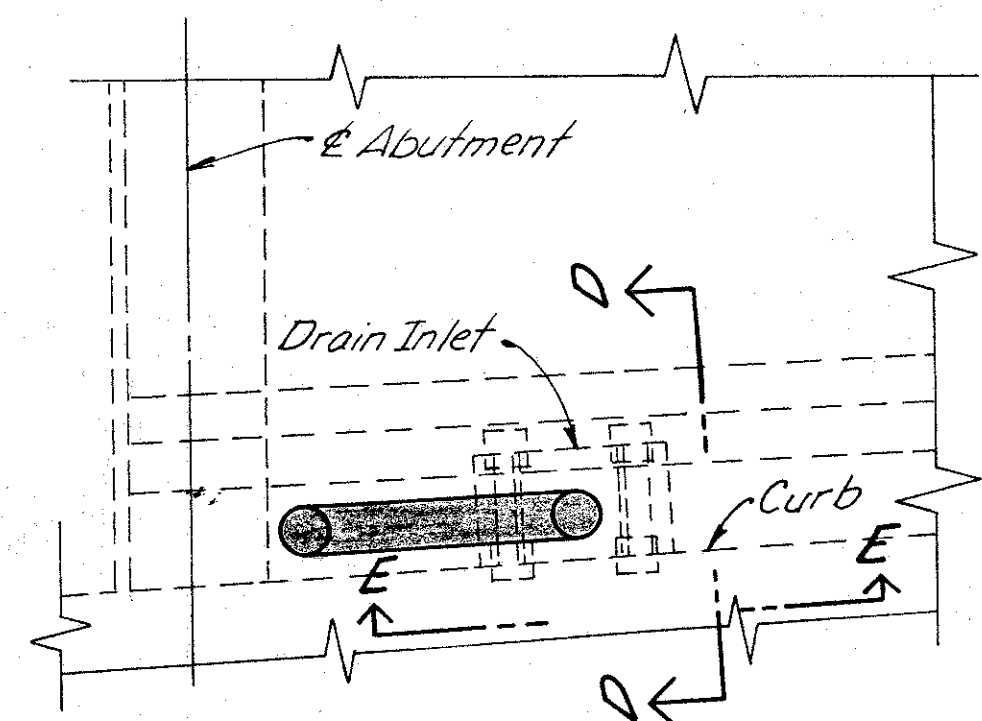
	<b>WOOLPERT CONSULTANTS</b> 409 East Monument Avenue Dayton, Ohio 45402-1226	15 / 16
--	--	---------

**DRAINAGE DETAILS**

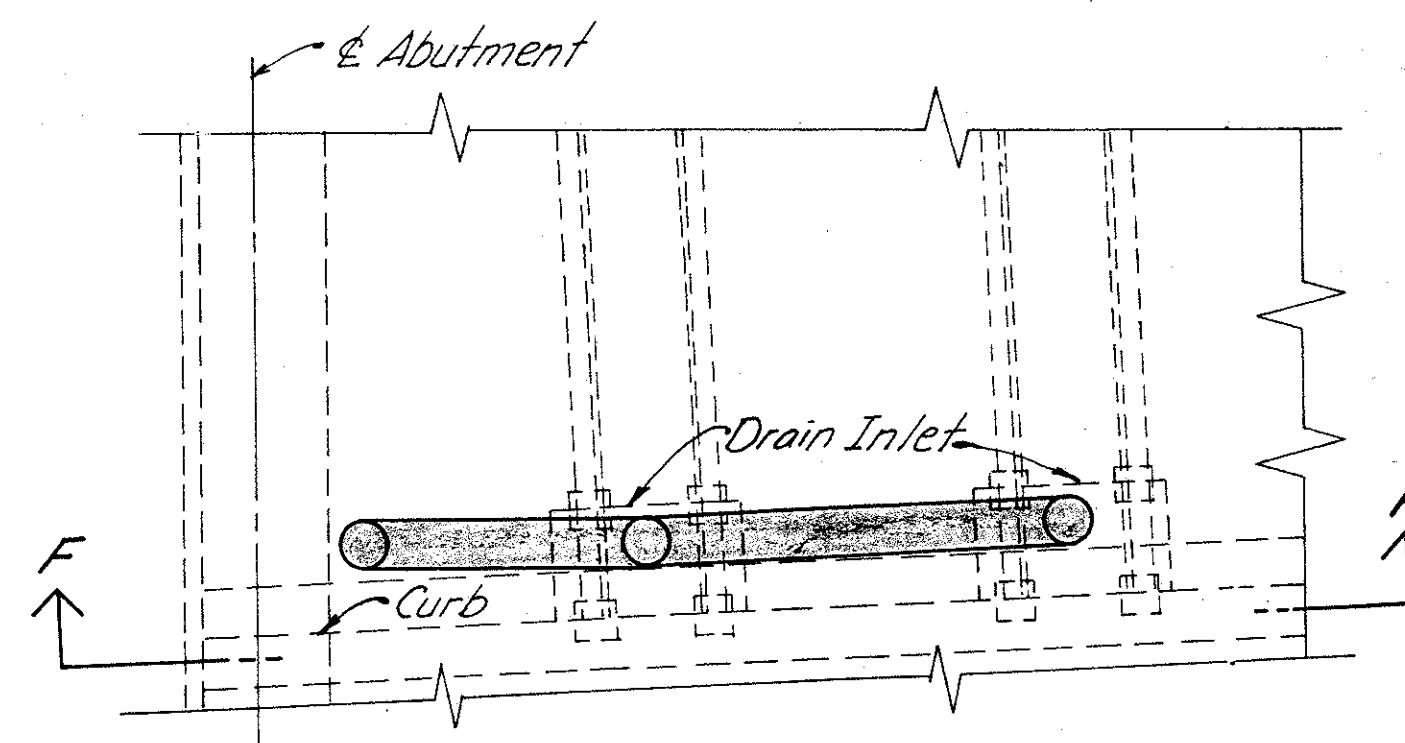
BRIDGE NO. HAM-71-0154  
OVER I-471

HAMILTON COUNTY

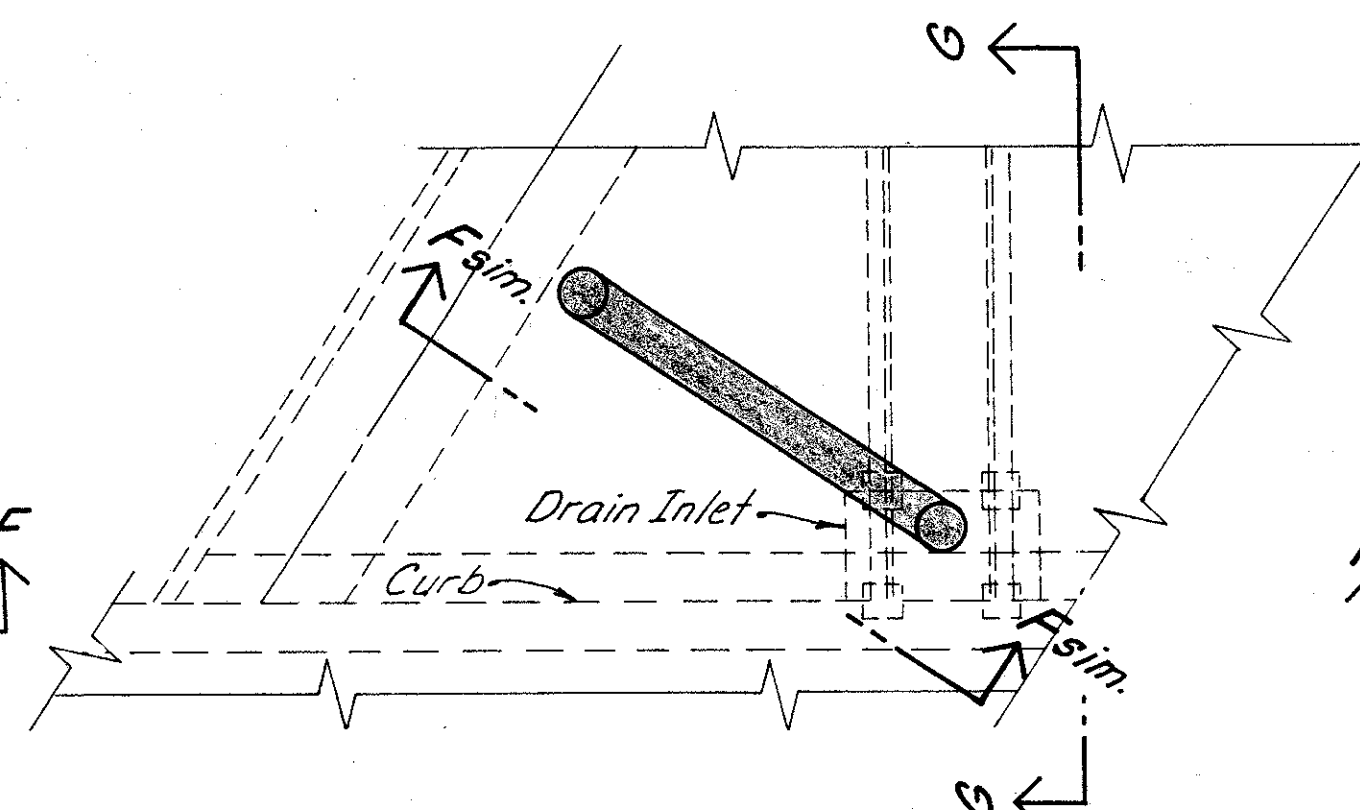
DESIGNED	DRAWN	TRACED	CHECKED	REVIEWED	DATE	REVISED
D.E.M.	L.A.P.		D.E.M.	P.W.G.	11/11/94	



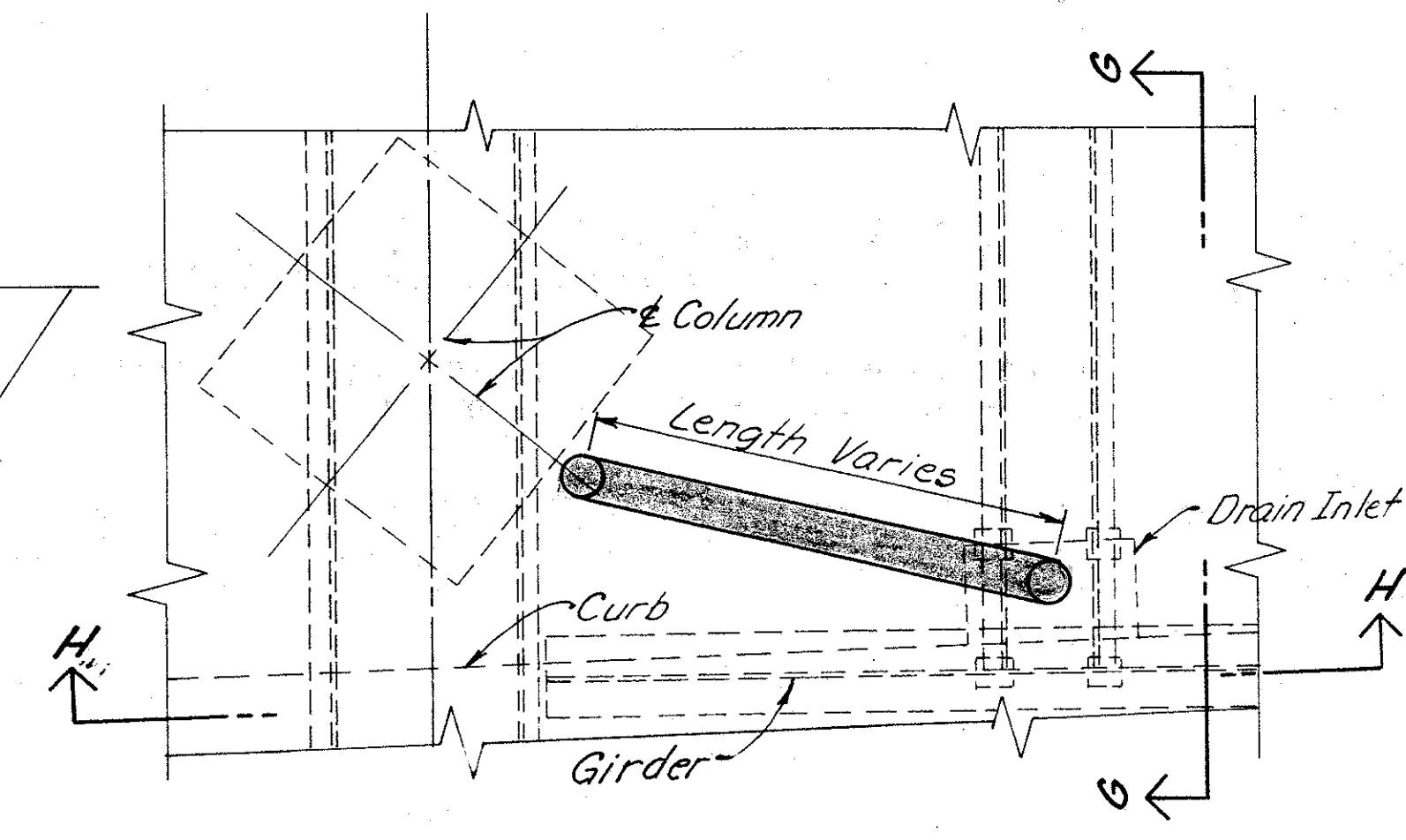
PLAN "TYPE D" DRAIN INLET AT SOUTH ABUTMENT A (N.B.)



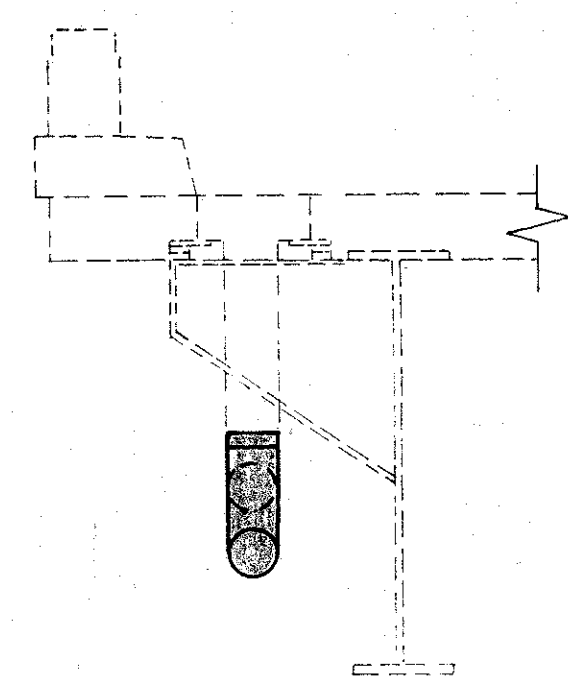
PLAN "TYPE E" DRAIN INLET AT SOUTH ABUTMENT A (S.B.)



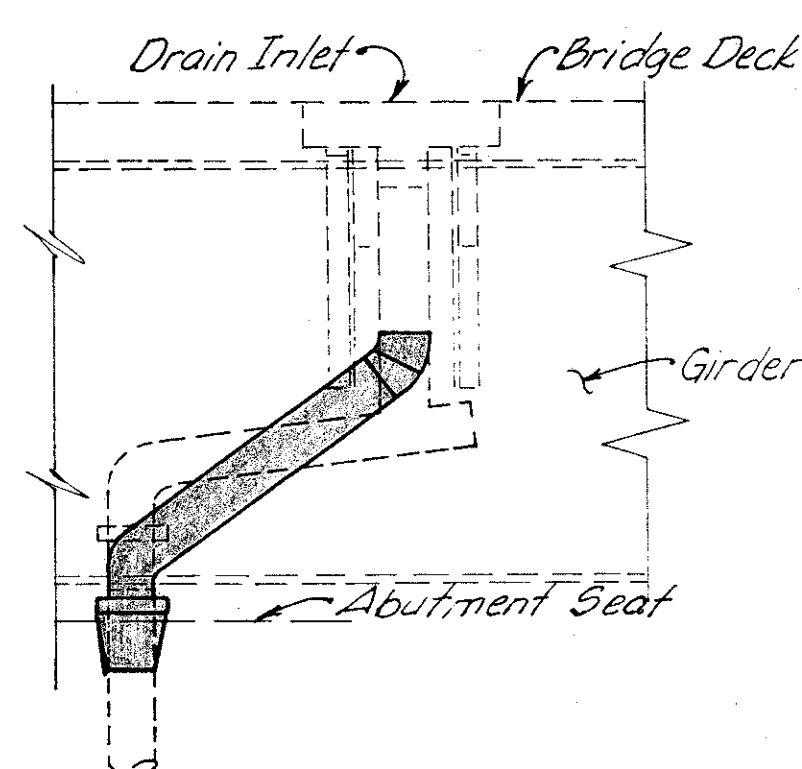
PLAN "TYPE F" DRAIN INLET AT SOUTH ABUTMENT B



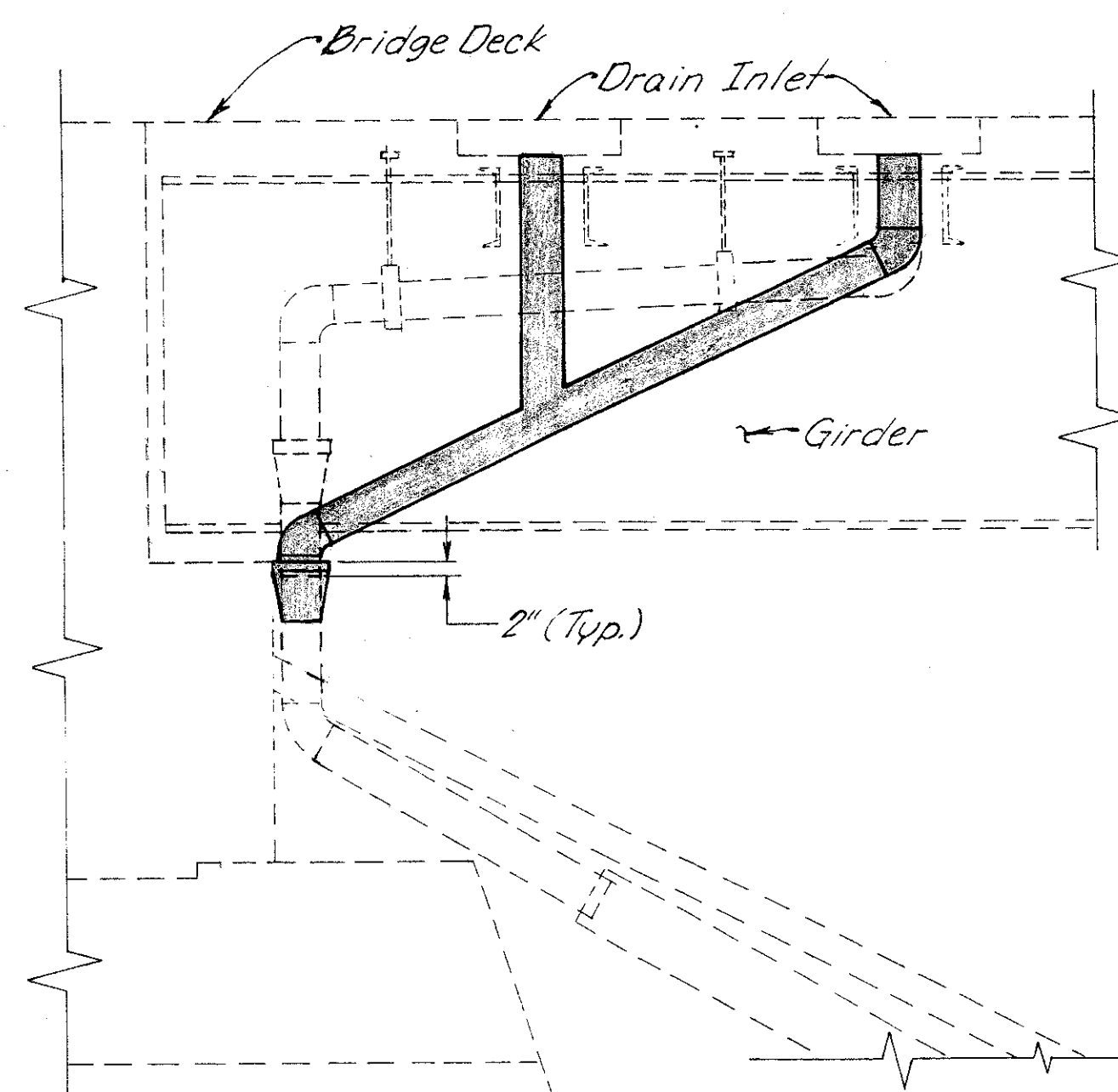
PLAN "TYPE G" DRAIN INLET AT FLOOR BEAMS



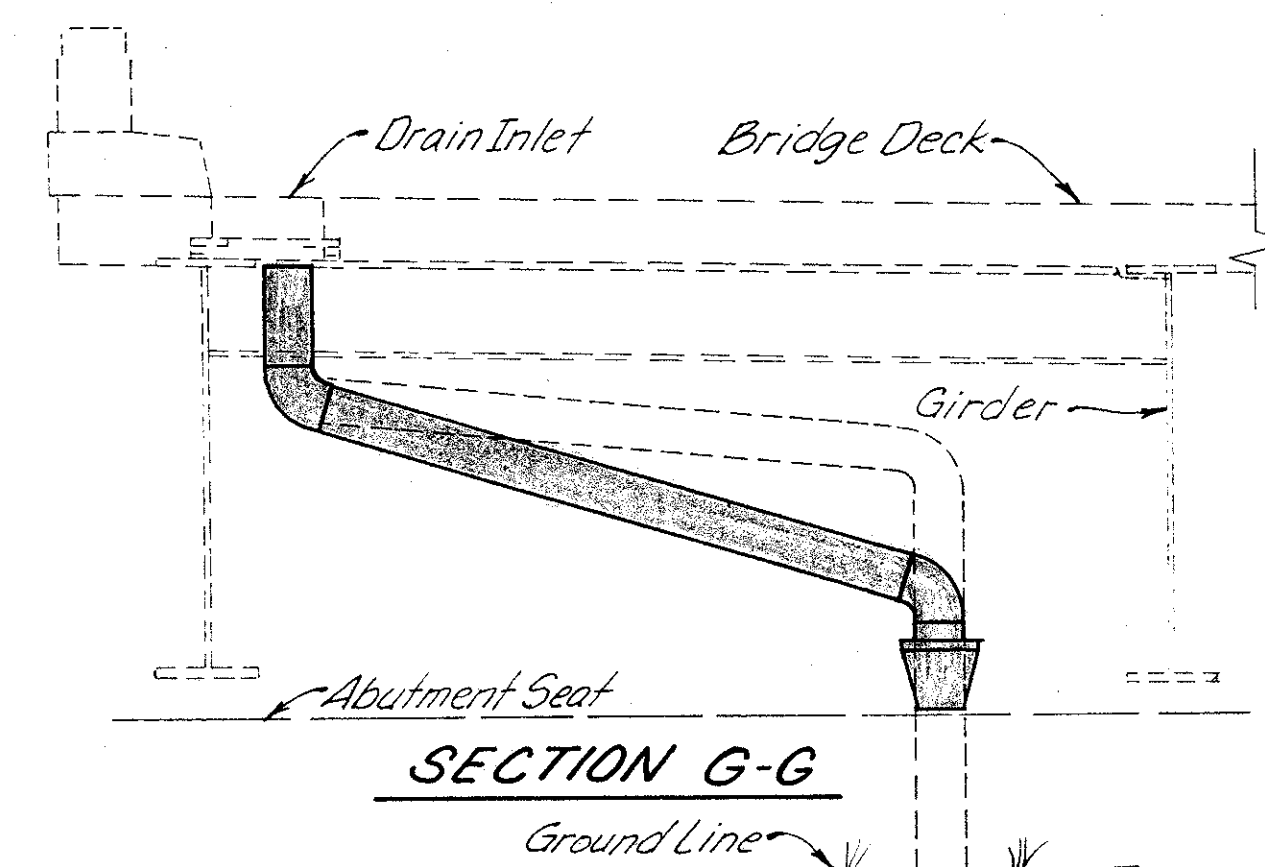
SECTION D-D



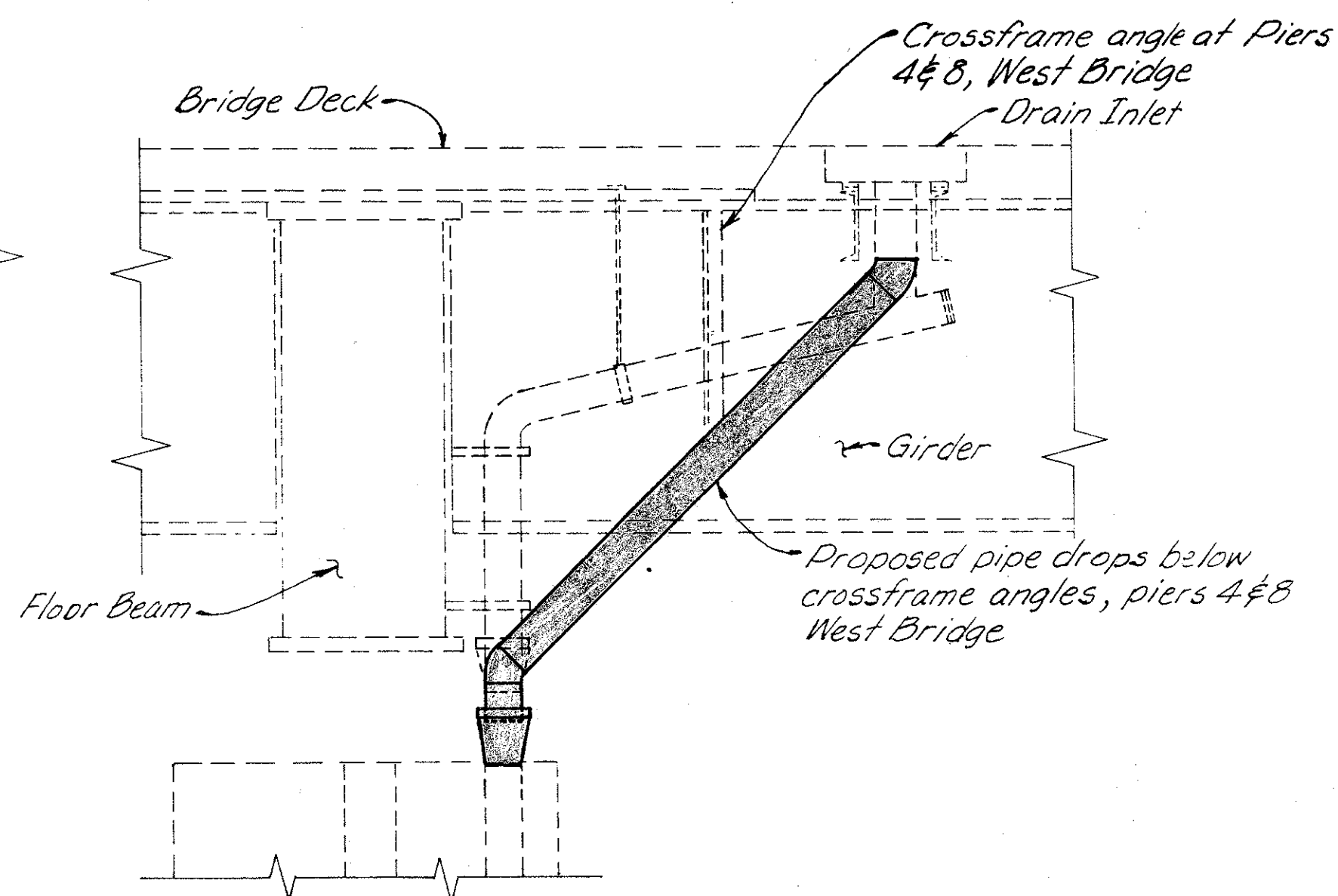
SECTION E-E



SECTION F-F



SECTION G-G



SECTION H-H

Note: Contractor may use eccentric reducer to provide clearance with column (Typ.)

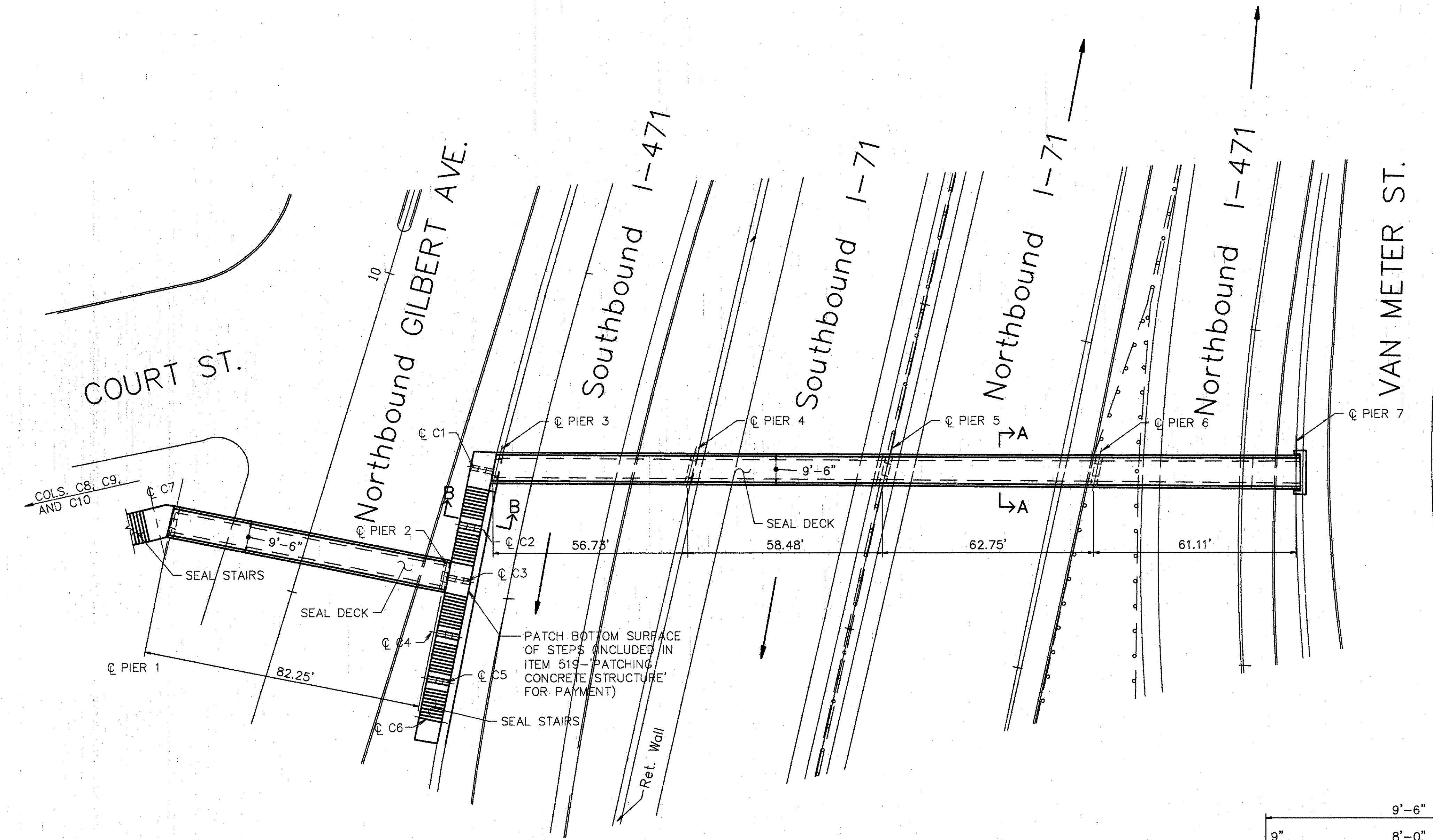
For Notes see sht. 15/16

		WOOLPERT CONSULTANTS 409 East Monument Avenue Dayton, Ohio 45402-1226		16 / 16	
<b>DRAINAGE DETAILS</b>					
BRIDGE NO. HAM-71-0154 OVER I-471					
HAMILTON COUNTY					
DESIGNED	DRAWN	TRACED	CHECKED	REVIEWED	DATE
D.E.M.	L.A.P.		D.E.M.	P.W.G.	11/11/99



ITEM	ITEM EXT.	TOTAL	UNITS	DESCRIPTION
SPECIAL	51267500	792	S.Y.	SEALING OF CONCRETE SURFACE *
SPECIAL	51267502	246	S.Y.	SEALING OF CONCRETE SURFACE (EPOXY) *
514	27704	LUMP	L.S.	FIELD PAINTING, MISC. EXISTING STEEL, EEU *
519	11100	33	S.F.	PATCHING CONCRETE STRUCTURE
516	45304	4	EACH	REFURBISH BEARING DEVICE
518	63300	LUMP	L.S.	SCUPPER AND DRAINAGE PIPE CLEANOUT

\* SEE PROPOSAL NOTE



**NOTE:**

1. SEAL PIERS, COLUMNS C2, C4, C5, C8, & C9 TO BE SEALED UNDER ITEM SPECIAL-"SEALING OF CONCRETE SURFACES". ITEM SPECIAL-"SEALING OF CONCRETE SURFACES, EPOXY", PROVIDES SEALING OF C7 (LEAVE SOUTH FACE OF COL. UNSEALED), C3 (SOUTH UNSEALED), AND C1 (NORTH UNSEALED), AND PIER 1 (SOUTH UNSEALED), PIER 2 (NORTH UNSEALED), PIER 3 (SOUTH UNSEALED), PIERS 4, 5, & 6 (TOPS UNSEALED). COLS. C6, & C10 ARE EXCLUDED.

- ### PROPOSED WORK
1. SEAL BRIDGE DECK, STAIRS, & PIERS.
  2. PATCH BOTTOM SURFACE OF STEPS.
  3. REFURBISH ABUTMENT BEARINGS.
  4. TRAFFIC UNDER PEDESTRIAN BRIDGE SHALL BE MAINTAINED AT ALL TIMES. FOR NOTES SEE MAINTENANCE OF TRAFFIC PLANS. PEDESTRIAN TRAFFIC SHALL BE MAINTAINED AT ALL TIMES.
  5. OTHER WORK AS DESCRIBED IN THESE PLANS.

### EXISTING STRUCTURE

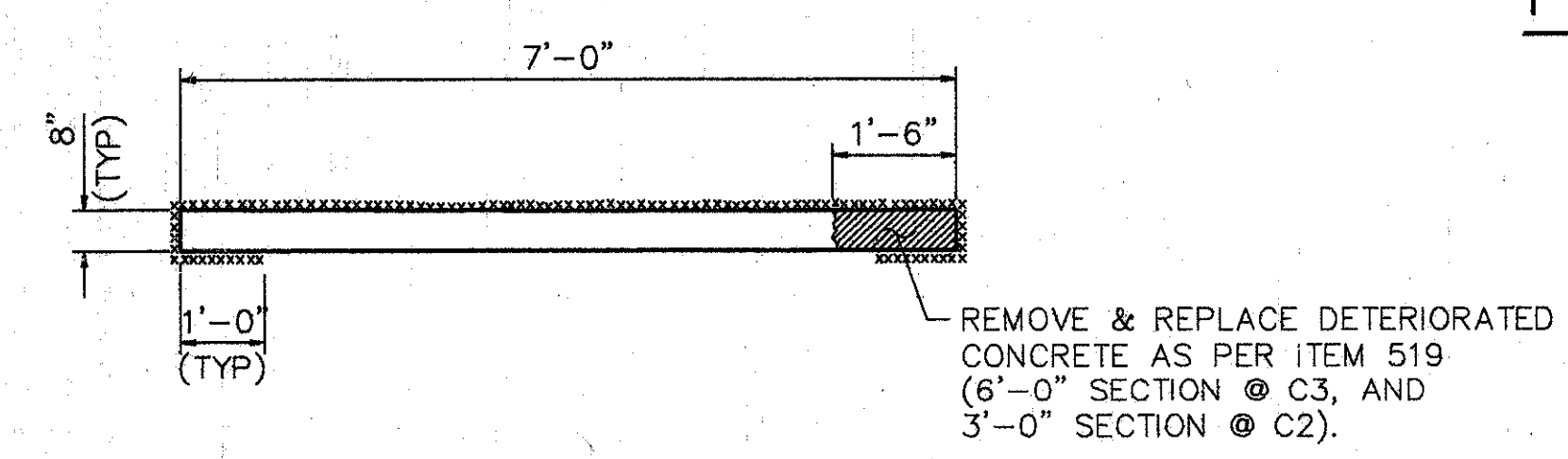
TYPE: 4 SPAN CONTINUOUS ROLLED BEAM WITH REINFORCED CONCRETE DECK & SUBSTRUCTURE. SINGLE SPAN PLATE GIRDER WITH REINFORCED CONCRETE DECK AND SUBSTRUCTURE.

SPANS: 56.73', 58.48', 62.75', 61.11' (ROLLED BEAM STRUCTURE)  
82.25' (PLATE GIRDER STRUCTURE)

WIDTH: 8'-0" CLEAR BETWEEN CURBS

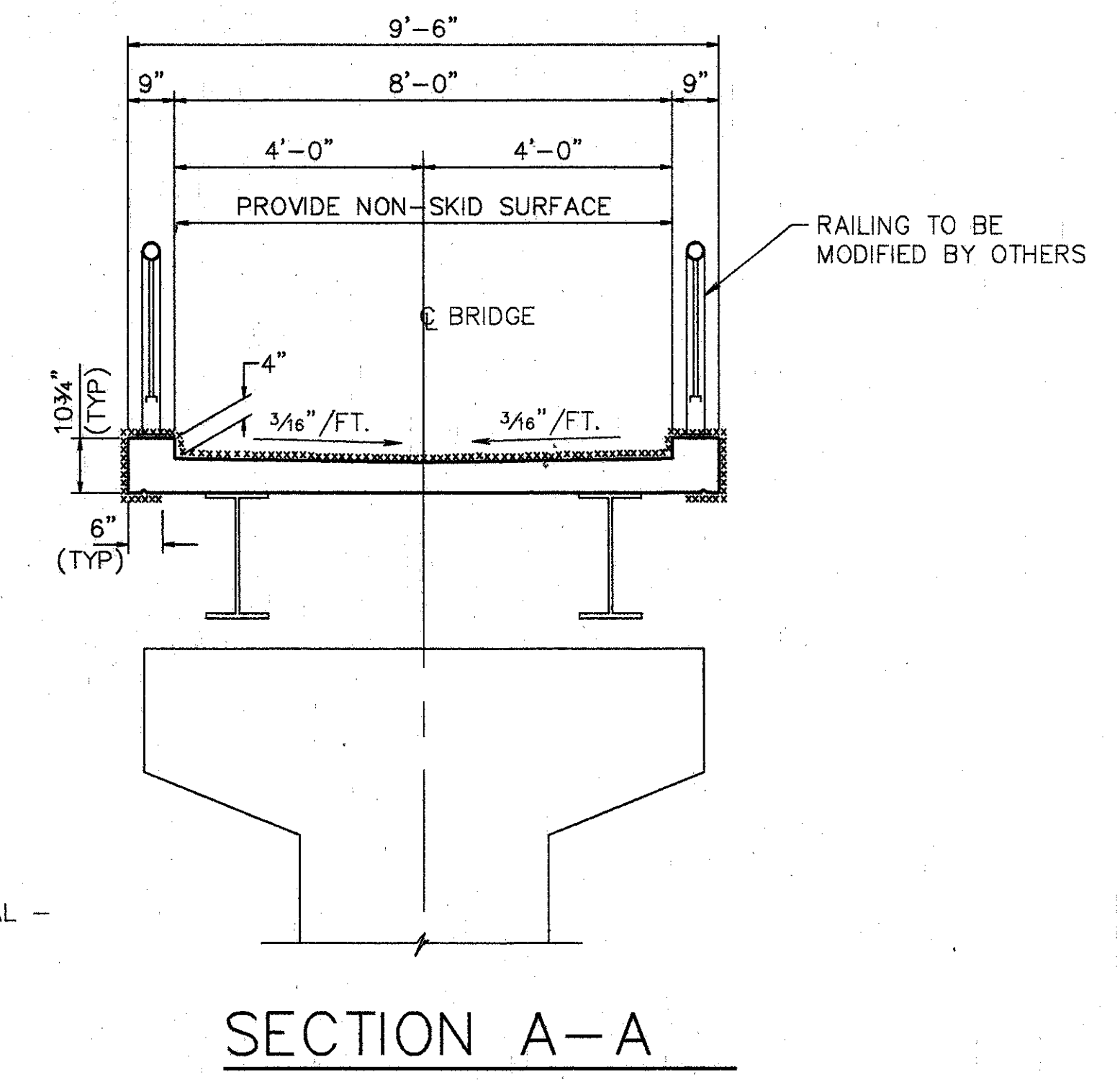
LOADING: 85lb./SQ. FT. (UNIFORM)

SKEW: AS SHOWN ON PLAN



**SECTION B-B**

**NOTE:**  
SEALING IS TYPICAL FOR ALL STAIRS, AND LANDINGS NOT ON GRADE.



**SECTION A-A**

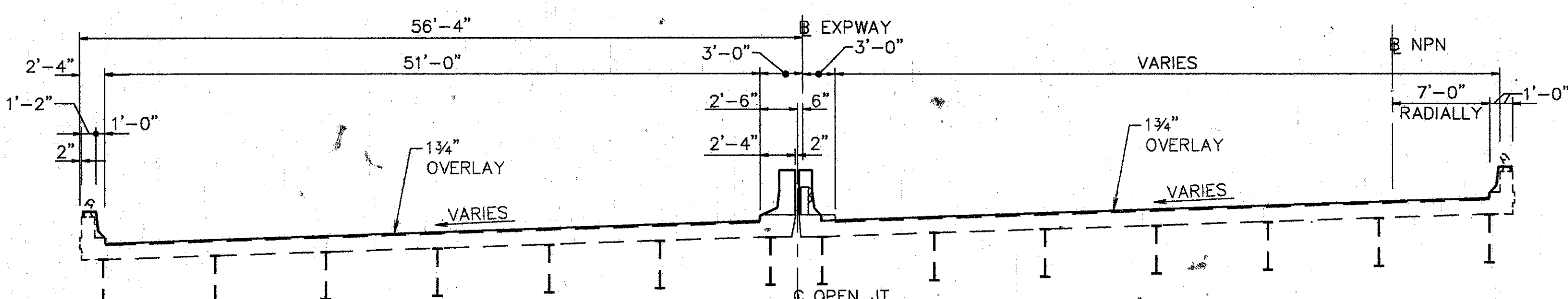
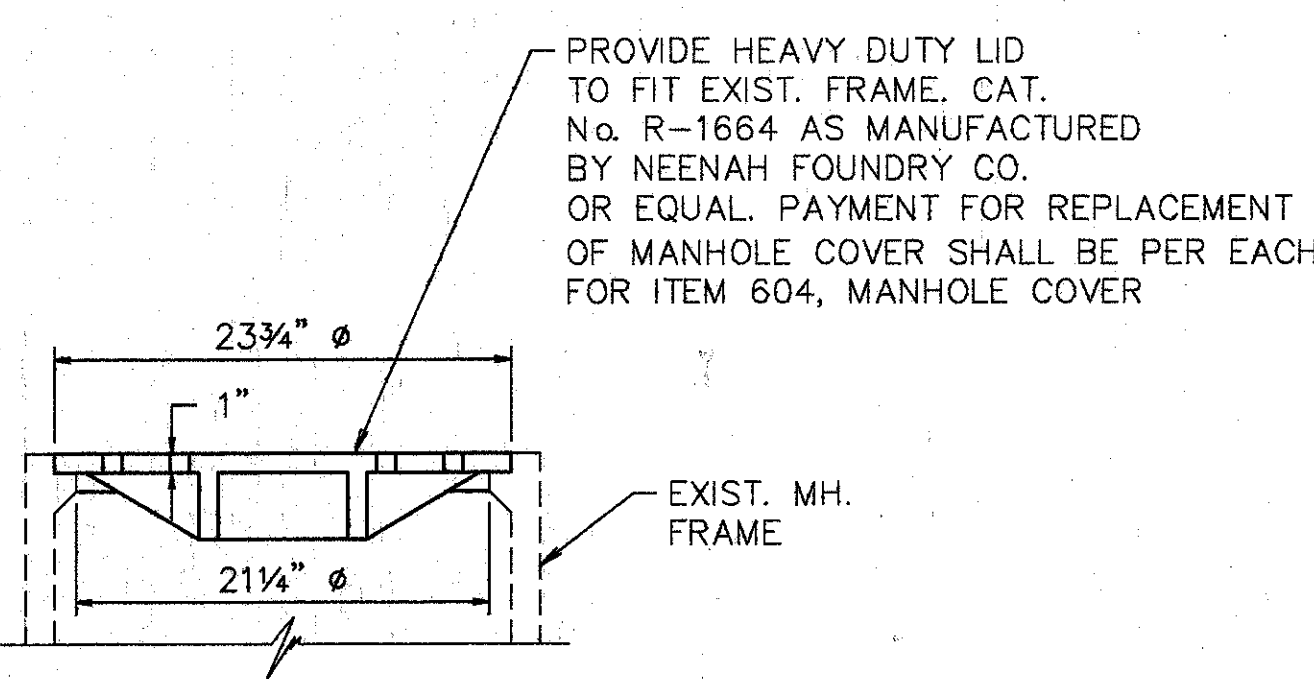
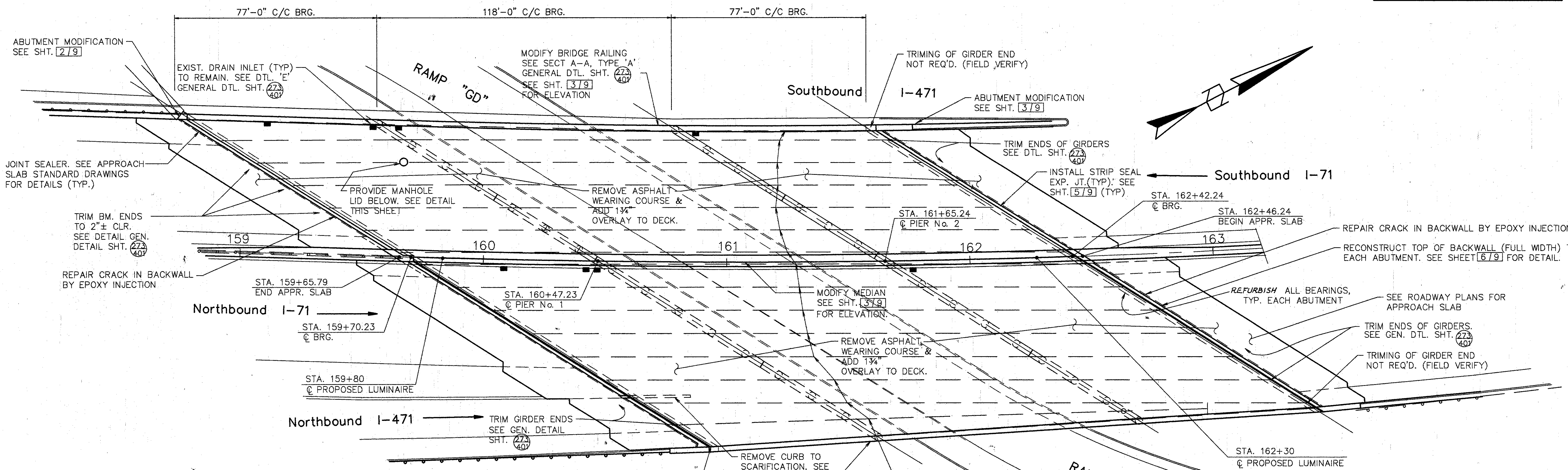
XXX - SURFACES TO BE SEALED UNDER ITEM SPECIAL - SEALING OF CONCRETE SURFACES. PROVIDE A NON-SKID SURFACE WHERE SHOWN.

**PLAN**

Lot Plot MAY 15, 1991 @ 8:53 PM  
 C:\STRA\1030-03\71-0179 Lot Revision By: R.A.J. SEPT. 17, 1991 @ 8:22 AM

**WOOLPERT CONSULTANTS**  
 409 E. MONUMENT AVENUE  
 DAYTON, OHIO 45402-1226  
 (513) 461-5660

<b>GENERAL PLAN AND DETAILS</b>						
BRIDGE NO. HAM-71-0176 OVER I-71						
HAMILTON COUNTY						
DESIGNED	DRAWN	TRACED	CHECKED	REVIEWED	DATE	REVISED
L.A.T.M.	D.E.E.		M.A.A.	DEM	11/11/94	



- NOTES:
1. SEAL PARAPETS, BACKWALLS AND PIERS. SEAL ALL OF PIER EXCEPT TOP OF PIER CAP.
  2. SEE JUNCTION BOX EXTENSION DETAIL, GEN. DTL. SHT. 273 FOR BARRIER RETROFIT AT JUNCTION BOXES. REFER TO LIGHTING DETAILS FOR TYPE AND LOCATION OF BOXES AND LUMINAIRES.
  3. REFURBISH DRAINAGE PIPING. SEE SHT. 8&9/9

**EXISTING STRUCTURE**

TYPE: CONTINUOUS STEEL PLATE GIRDER WITH REINFORCED CONCRETE DECK & SUBSTRUCTURE  
 SPANS: 77'-0", 118'-0", 77'-0" C-C BRG'S  
 ROADWAY: 51'-0" F/F CURBS WITH 1'-0" CURB AND 3'-0" MEDIAN  
 SKEW: VARIES  
 LOADING FREQUENCY: C.F.=2000 (57) ADEQUATE FOR AASHO ALTERNATE LOADING  
 WEARING SURFACE: 1" MONOLITHIC CONCRETE  
 APPROACH SLABS: AS-1-54 (25'-0" LONG)  
 ALIGNMENT: COMPOUND CURVES  
 SUPERELEVATION: VARIES

**WOOLPERT CONSULTANTS**  
 409 E. MONUMENT AVENUE  
 DAYTON, OHIO 45402-1226  
 (513) 461-5660

**GENERAL PLAN**

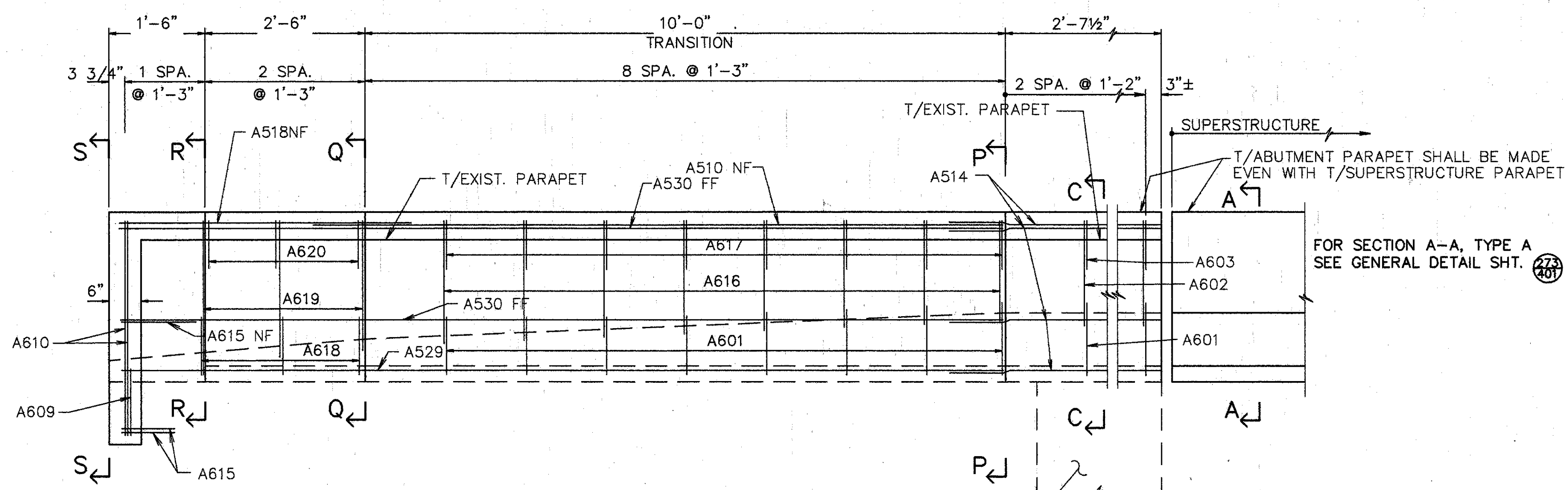
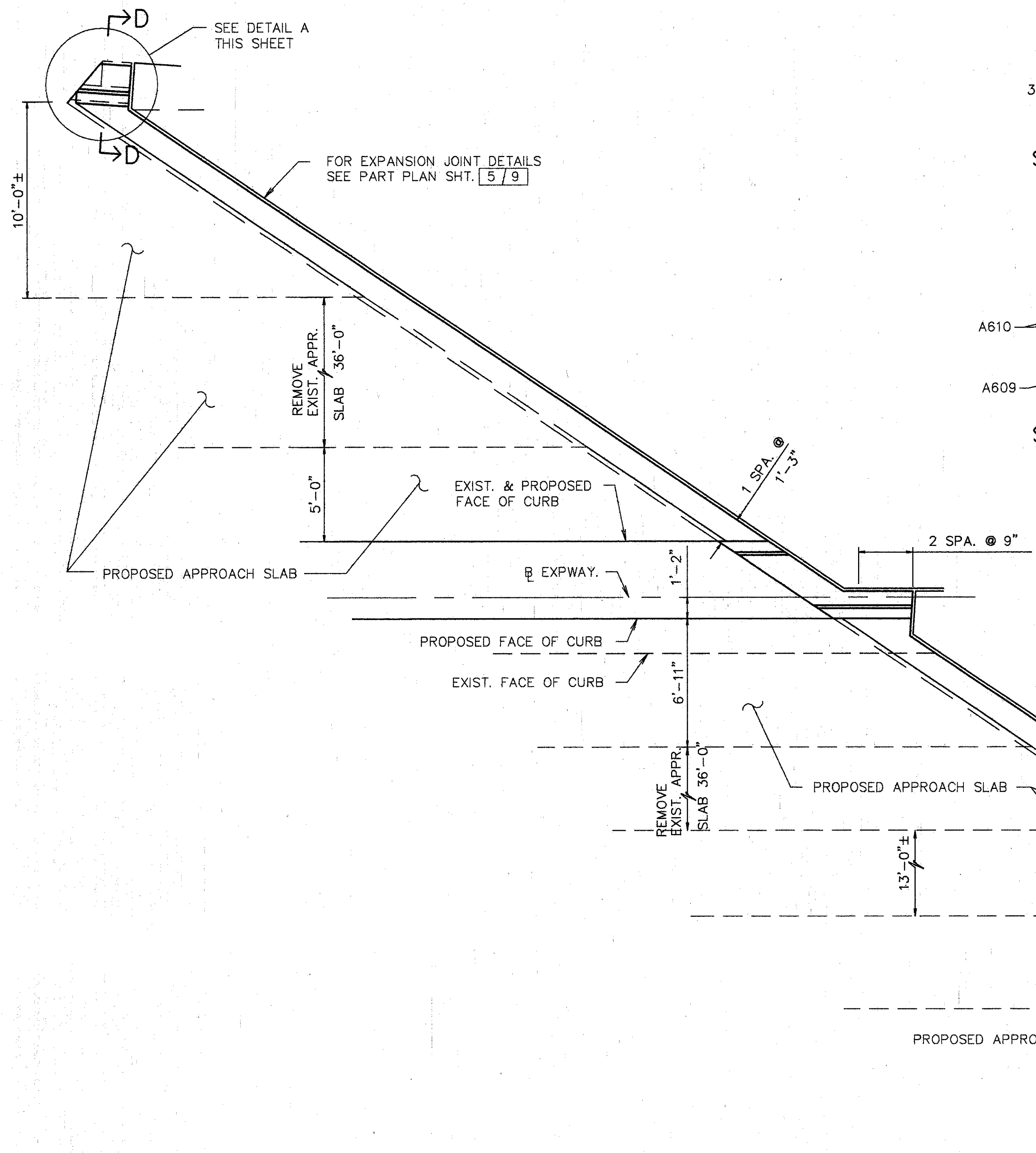
BRIDGE NO. HAM-71-0192 L/R  
OVER RAMP "GD"

HAMILTON COUNTY

DESIGNED	DRAWN	TRACED	CHECKED	REVIEWED	DATE	REVISED
L.A.T.M.	D.E.E.		M.A.A.	DEM	11/11/94	

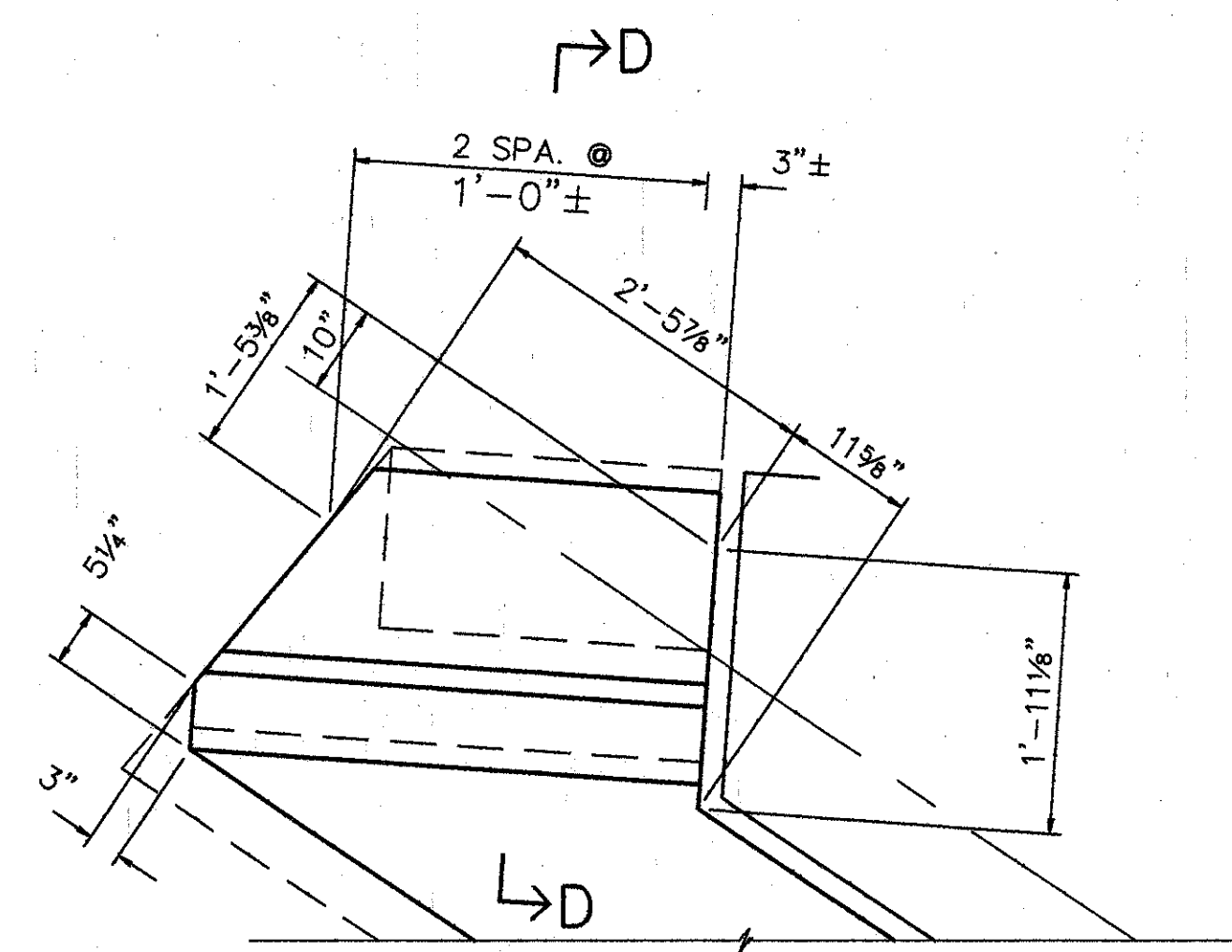
Lot 106 MAY 15, 1991 @ 7:00 PM  
 C:\STR\1066-00\1066-00.dwg





ELEVATION - REAR RIGHT

NOTE:  
 COST FOR BARRIER CAST ON BACKWALL (INCLUDING EXPANSION JOINT TREATMENTS) SHALL BE INCLUDED IN ITEM 511 - CLASS S CONCRETE, MISC. ABUTMENT PARAPETS. COST FOR REINFORCING STEEL SHALL BE INCLUDED IN PRICE BID FOR ITEM 509-EPOXY COATED REINFORCING STEEL, GRADE 60.



DETAIL A

SECTIONS ARE FOUND ON SHEETS 4 & 6/9

PROVIDE ANCHOR ASSEMBLIES FOR TYPE "AT" OR "AA" BRIDGE TERMINAL ASSEMBLIES AS PER STD. DWG. GR3. SEE ROADWAY DWGS. FOR TYPE LOCATION. PAYMENT TO BE INCLUDED WITH GUARDRAIL.

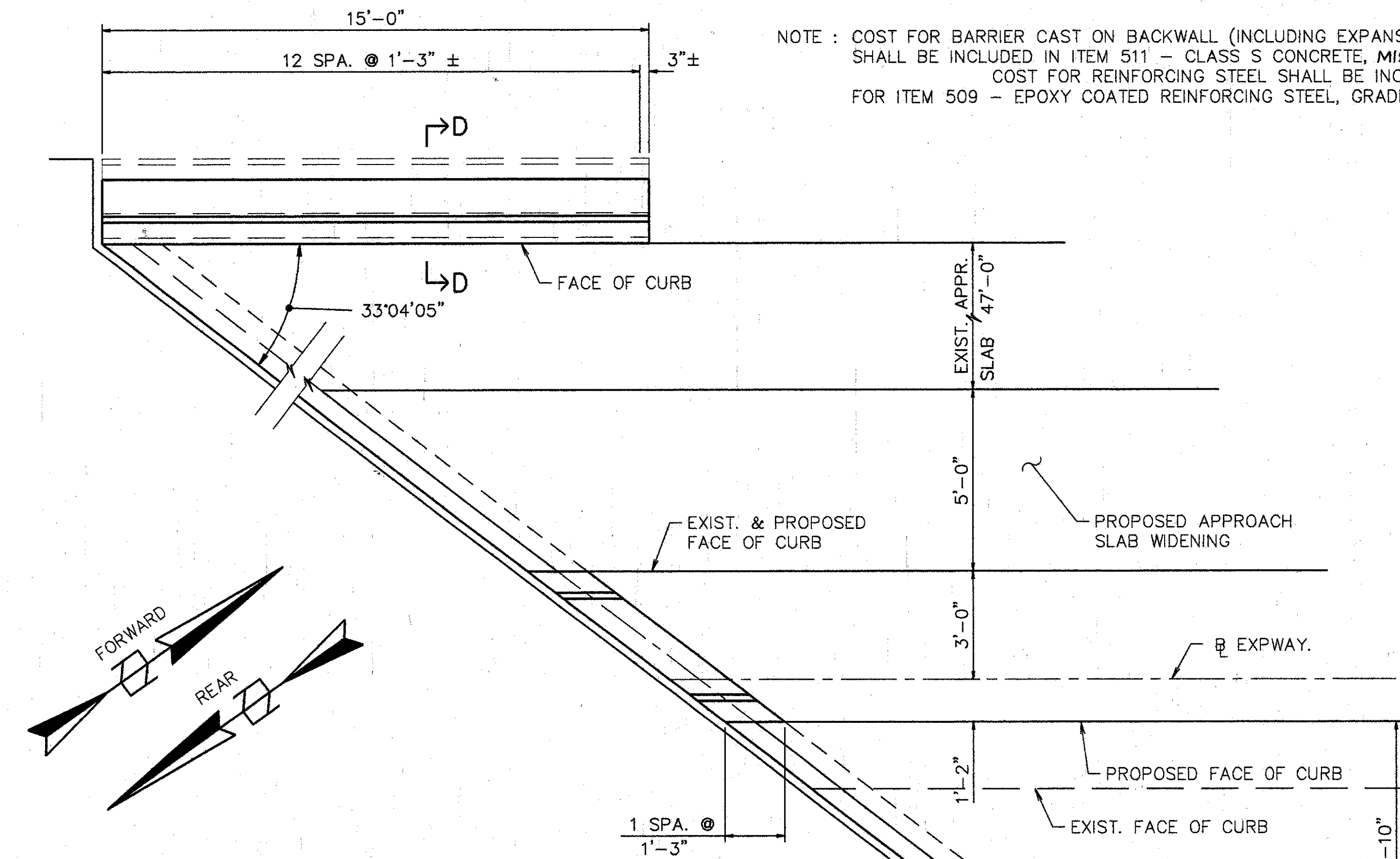
PLAN - REAR ABUTMENT MODIFICATION

**WOOLPERT CONSULTANTS**  
 409 E. MONUMENT AVENUE  
 DAYTON, OHIO 45402-1226  
 (513) 461-5660

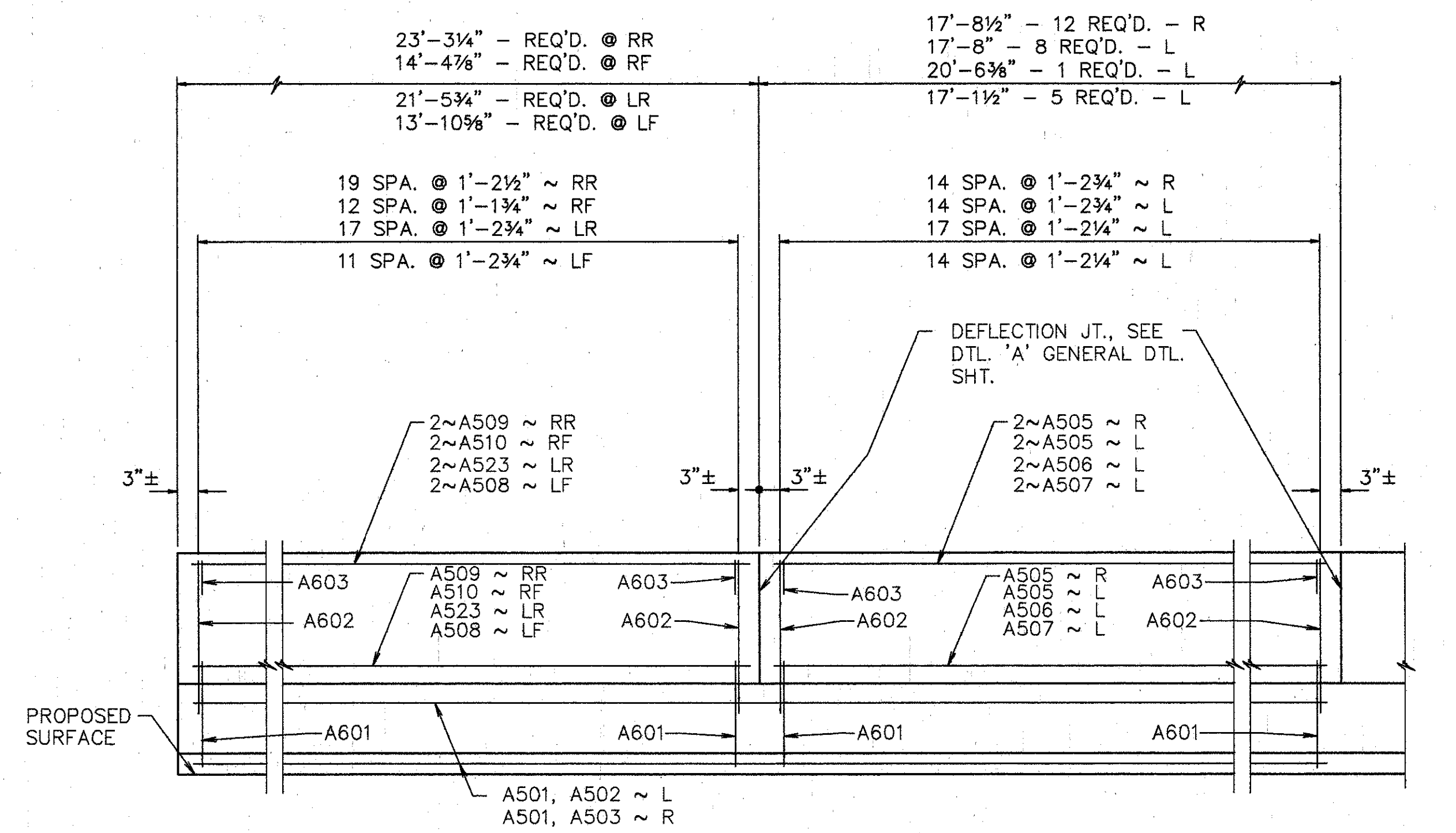
**ABUTMENT PLAN & PARAPET ELEVATIONS**  
 BRIDGE NO. HAM-71-0192 L/R  
 OVER RAMP "GD"  
 HAMILTON COUNTY

DESIGNED	DRAWN	TRACED	CHECKED	REVIEWED	DATE	REVISED
L.A.T.M.	D.E.E.		M.A.A.	DEM	11/11/94	

NOTE: COST FOR BARRIER CAST ON BACKWALL (INCLUDING EXPANSION JOINT TREATMENTS) SHALL BE INCLUDED IN ITEM 511 - CLASS S CONCRETE, MISC.: ABUTMENT PARAPETS. COST FOR REINFORCING STEEL SHALL BE INCLUDED IN PRICE FOR ITEM 509 - EPOXY COATED REINFORCING STEEL, GRADE 60.



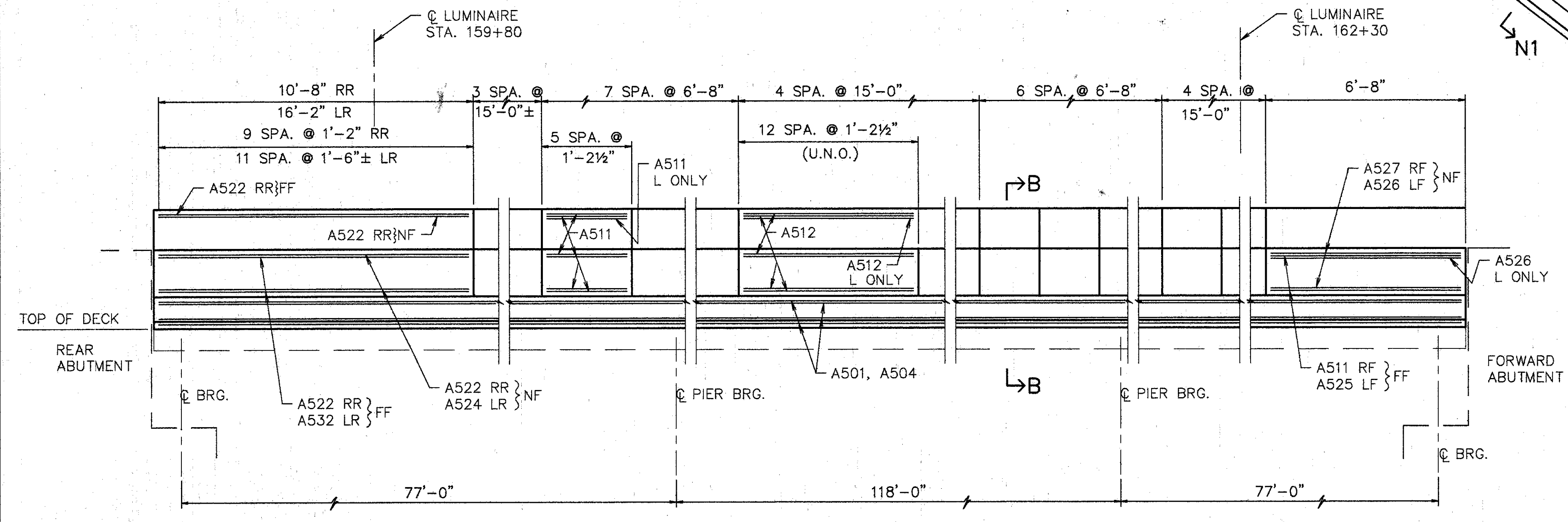
PLAN - FORWARD ABUTMENT MODIFICATION



ELEVATION SUPERSTRUCTURE PARAPET

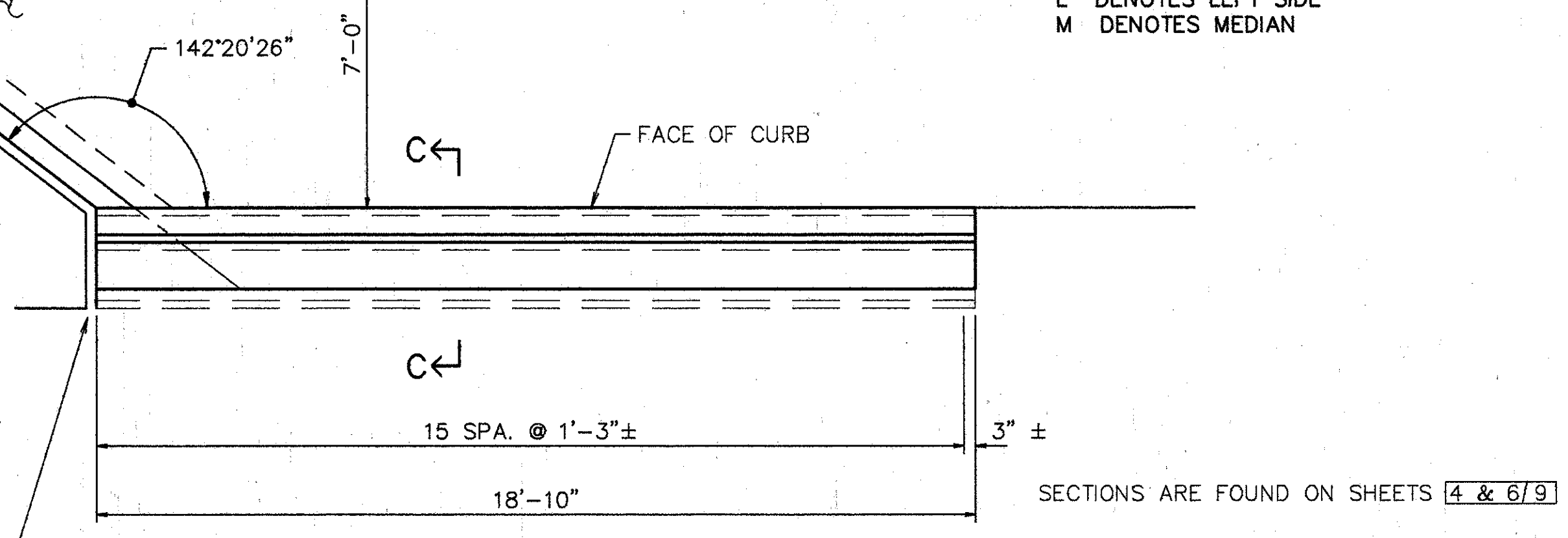
NOTES:  
 RF DENOTES RIGHT FORWARD  
 LF DENOTES LEFT FORWARD  
 RR DENOTES RIGHT REAR  
 LR DENOTES LEFT REAR  
 NF DENOTES NEAR FACE  
 FF DENOTES FAR FACE  
 RM DENOTES REAR MEDIAN  
 FM DENOTES FORWARD MEDIAN  
 R DENOTES RIGHT SIDE  
 L DENOTES LEFT SIDE  
 M DENOTES MEDIAN

FOR PARAPETS WITH LUMINAIRES, SEE LAMP STANDARD PARAPET PANEL ELEVATION, SHT. 4/9



MEDIAN PARAPET (BOTH SIDES; ELEV. OF RIGHT SHOWN, LEFT IS SIMILAR)  
 (MEASURED ALONG BACKFACE OF PARAPET)

NOTE: NF INDICATES ROAD SIDE FACE, FF INDICATES OUTSIDE FACE



SECTIONS ARE FOUND ON SHEETS 4 & 6/9

**WOOLPERT CONSULTANTS**  
 409 E. MONUMENT AVENUE  
 DAYTON, OHIO 45402-1226  
 (513) 461-5660

**ABUTMENT PLAN & PARAPET ELEVATIONS**

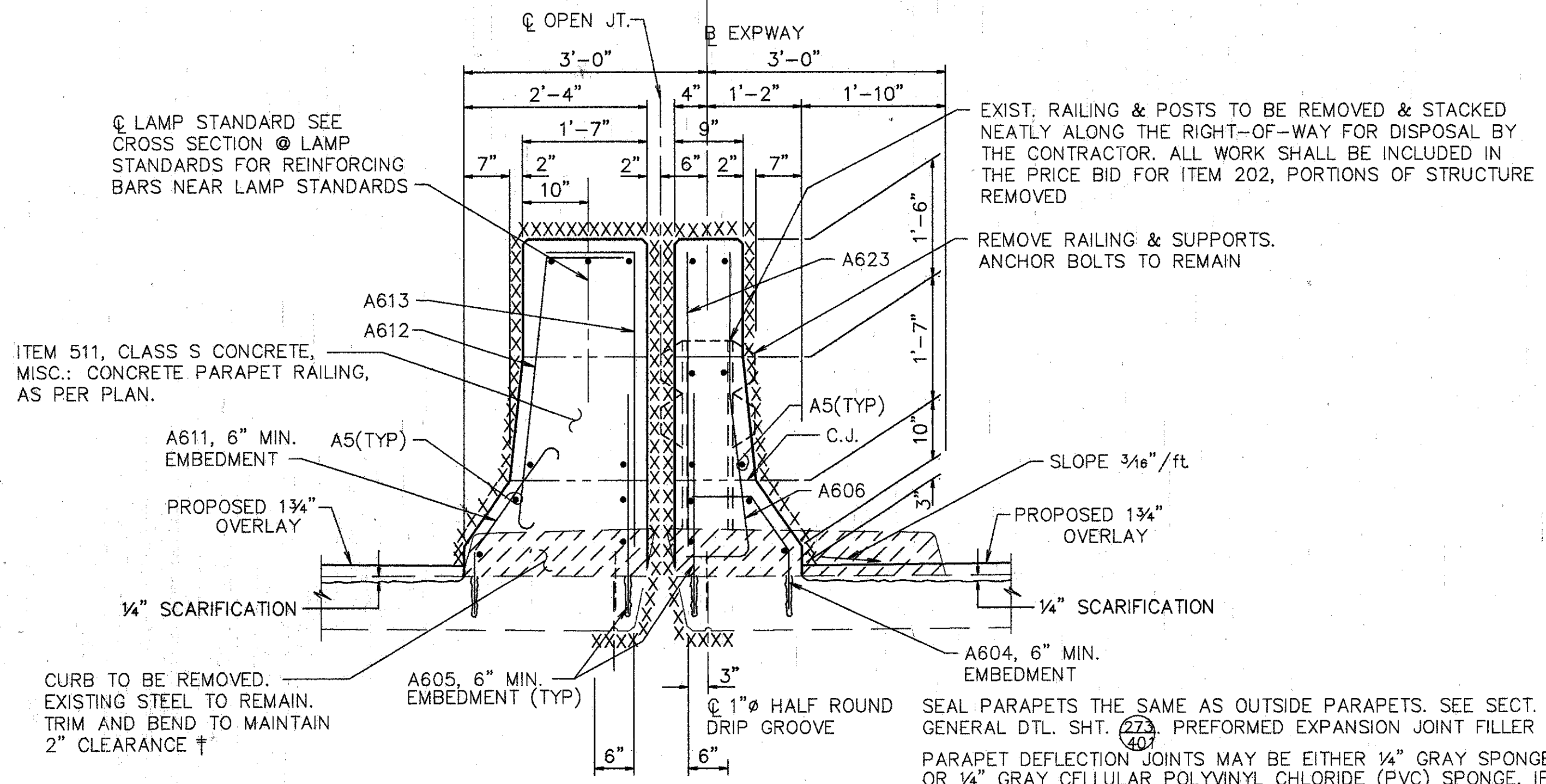
BRIDGE NO. HAM-71-0192 L/R  
 OVER RAMP "GD"

HAMILTON COUNTY

DESIGNED	DRAWN	TRACED	CHECKED	REVIEWED	DATE	REVISED
L.A.T.M.	D.E.E.		M.A.A.	DEM11/11/94		

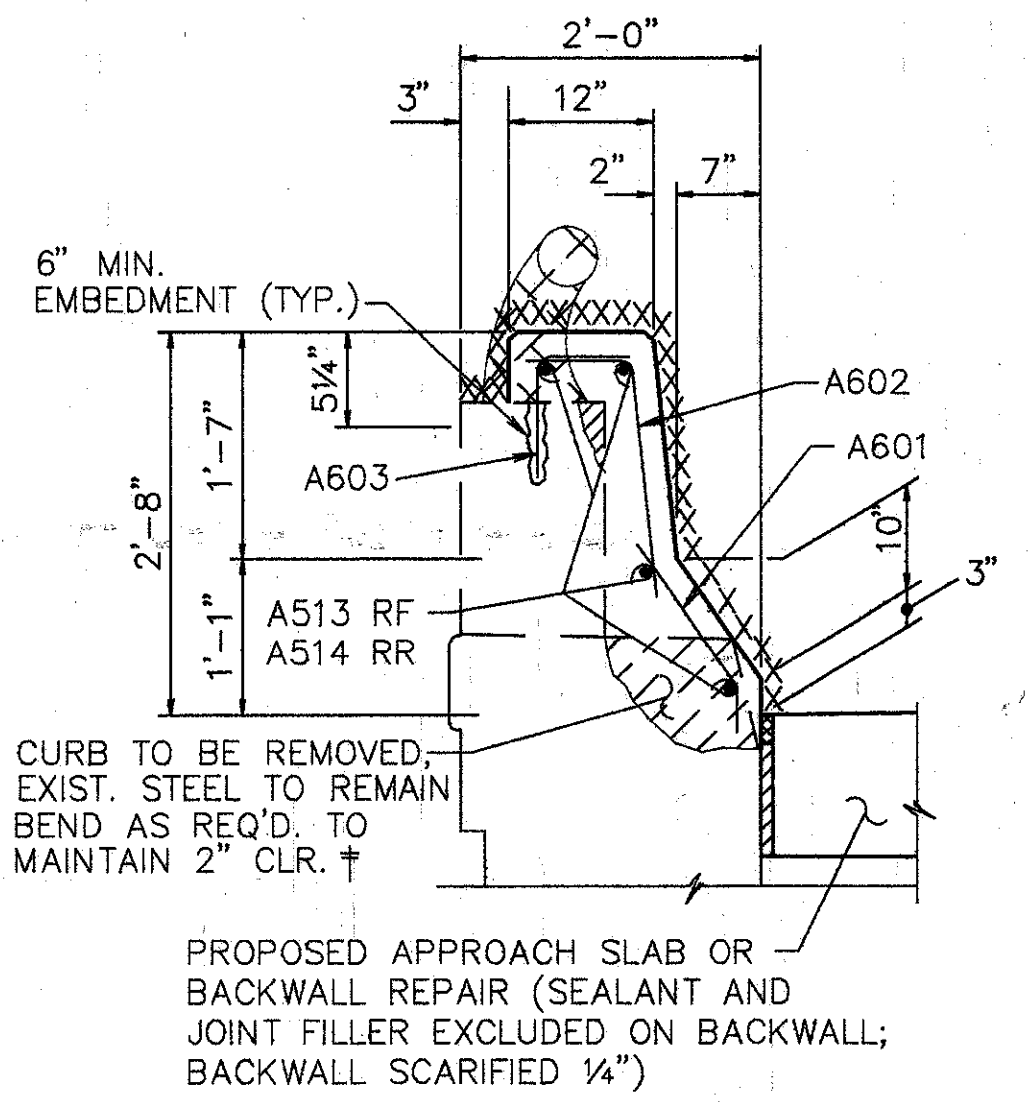
Last Plot MAY 15, 1991 @ 2:17 PM  
 C:\STR\6589-00\0192DTE.Lot Revision By: RACH JIM, 9, 1992 @ 2:20 PM





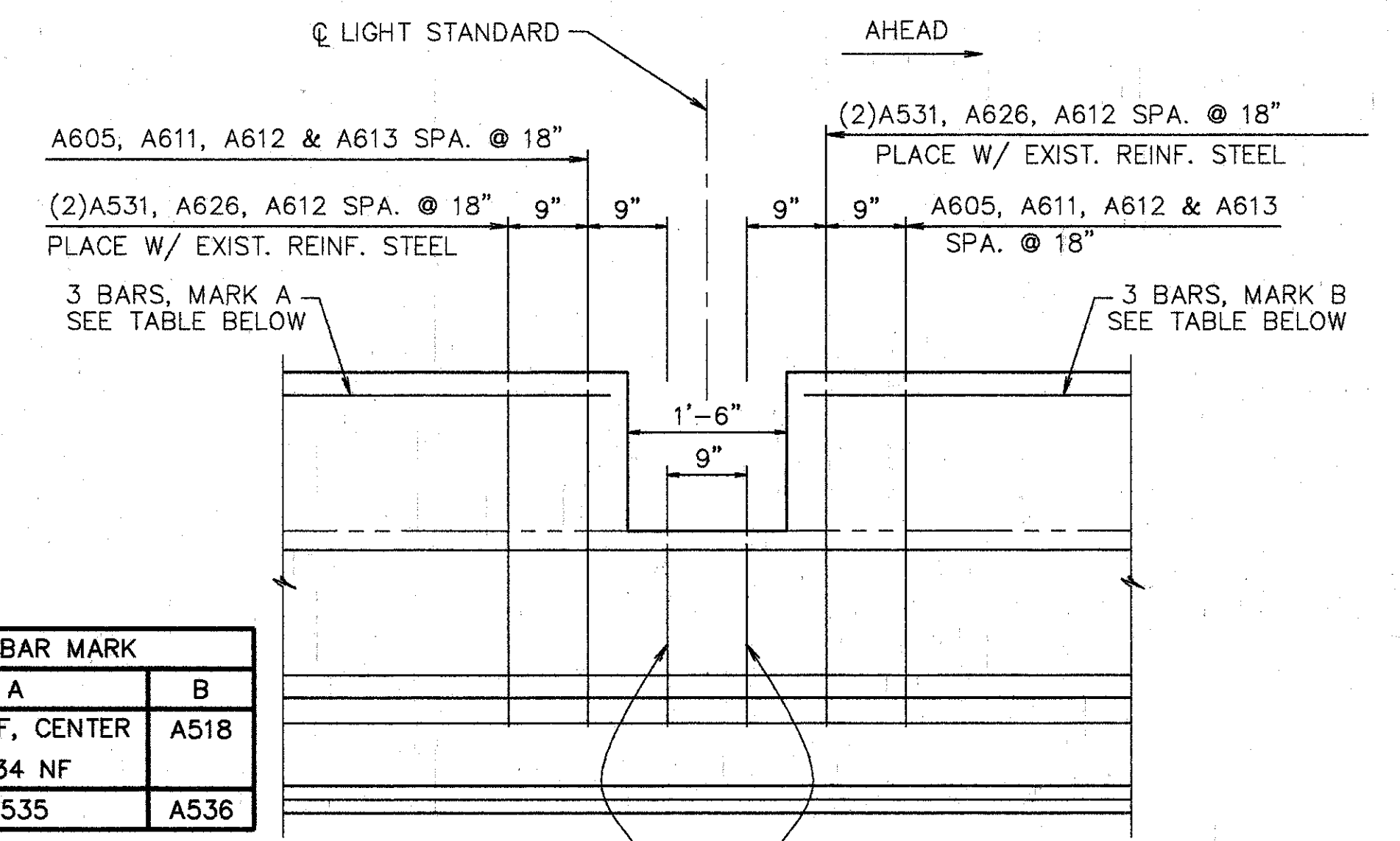
SECTION B-B

SEAL PARAPETS THE SAME AS OUTSIDE PARAPETS. SEE SECT. A-A, GENERAL DTL. SHT. 273. PREFORMED EXPANSION JOINT FILLER IN THE PARAPET DEFLECTION JOINTS MAY BE EITHER 1/4" GRAY SPONGE RUBBER OR 1/4" GRAY CELLULAR POLYVINYL CHLORIDE (PVC) SPONGE. IF RUBBER IS USED IT SHALL MEET THE REQUIREMENTS OF AASHTO M-153. CONCRETE PARAPETS ABOVE UPPER CONSTRUCTION JOINT SHALL BE PLACED IN ALTERNATE SECTIONS BY THE USE OF BULK HEADS. CLOSING SECTIONS SHALL BE PLACED AFTER REMOVAL OF BULK HEADS AND AFTER PLACEMENT OF EXPANSION JOINT FILLER. EXPOSED EDGES OF THE FILLER SHALL BE FLUSH WITH THE SURFACE OF CONCRETE AND SHALL BE FREE OF MORTAR.

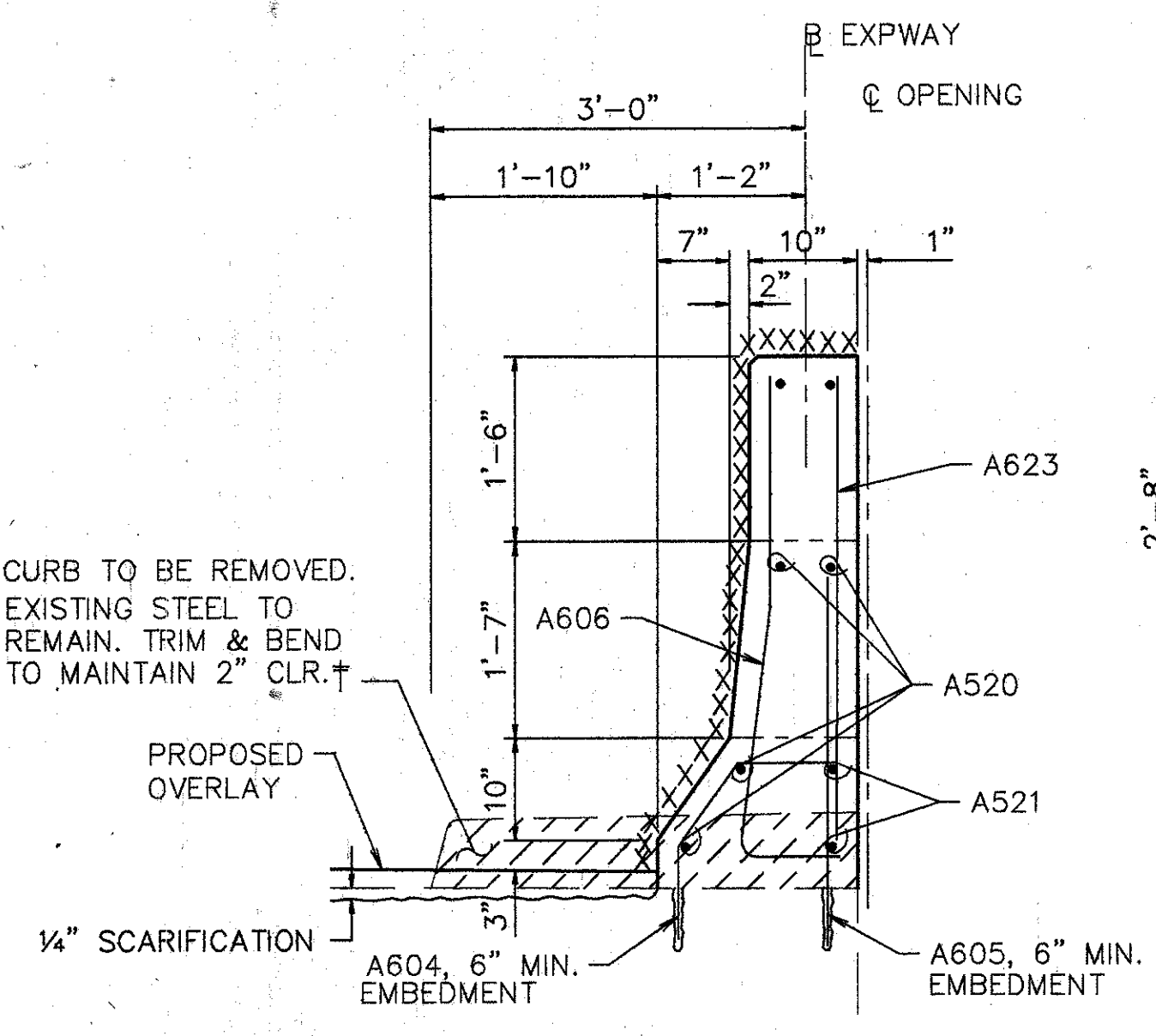


SECTION C-C

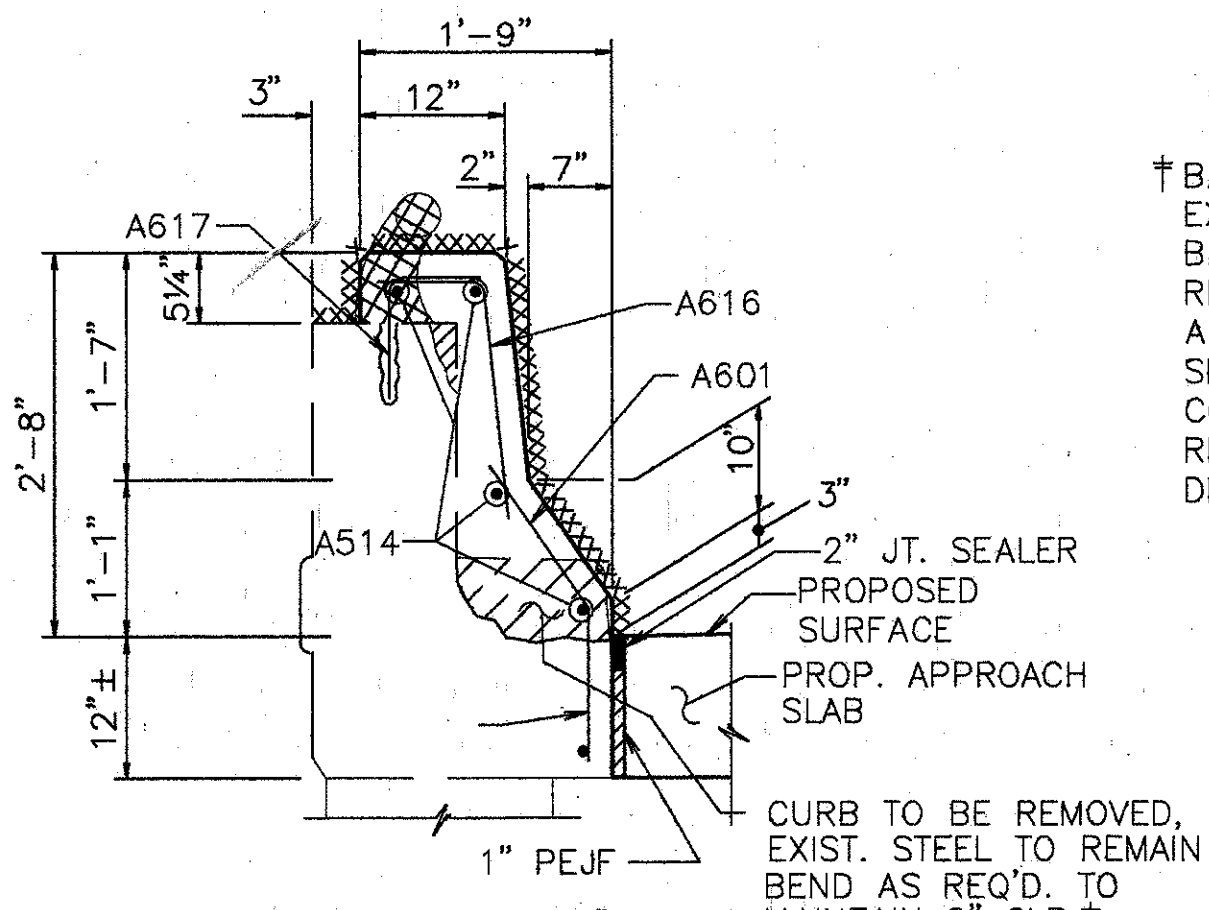
STA. @ C	BAR MARK	
	A	B
LAMP POST	A533 FF, CENTER	A518
159+80	A534 NF	
162+30	A535	A536



ELEVATION SUPERSTRUCTURE PARAPET AT LIGHT STANDARD

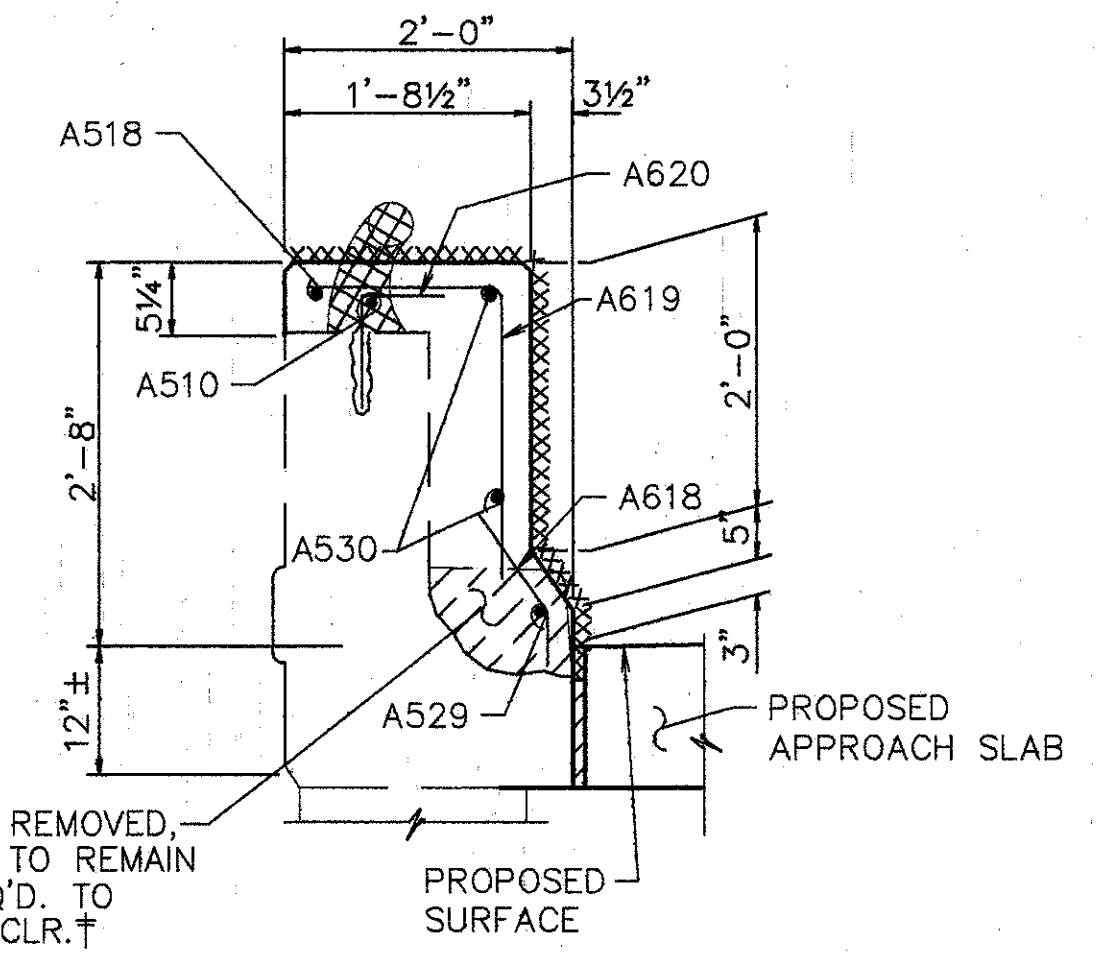


SECTION F-F

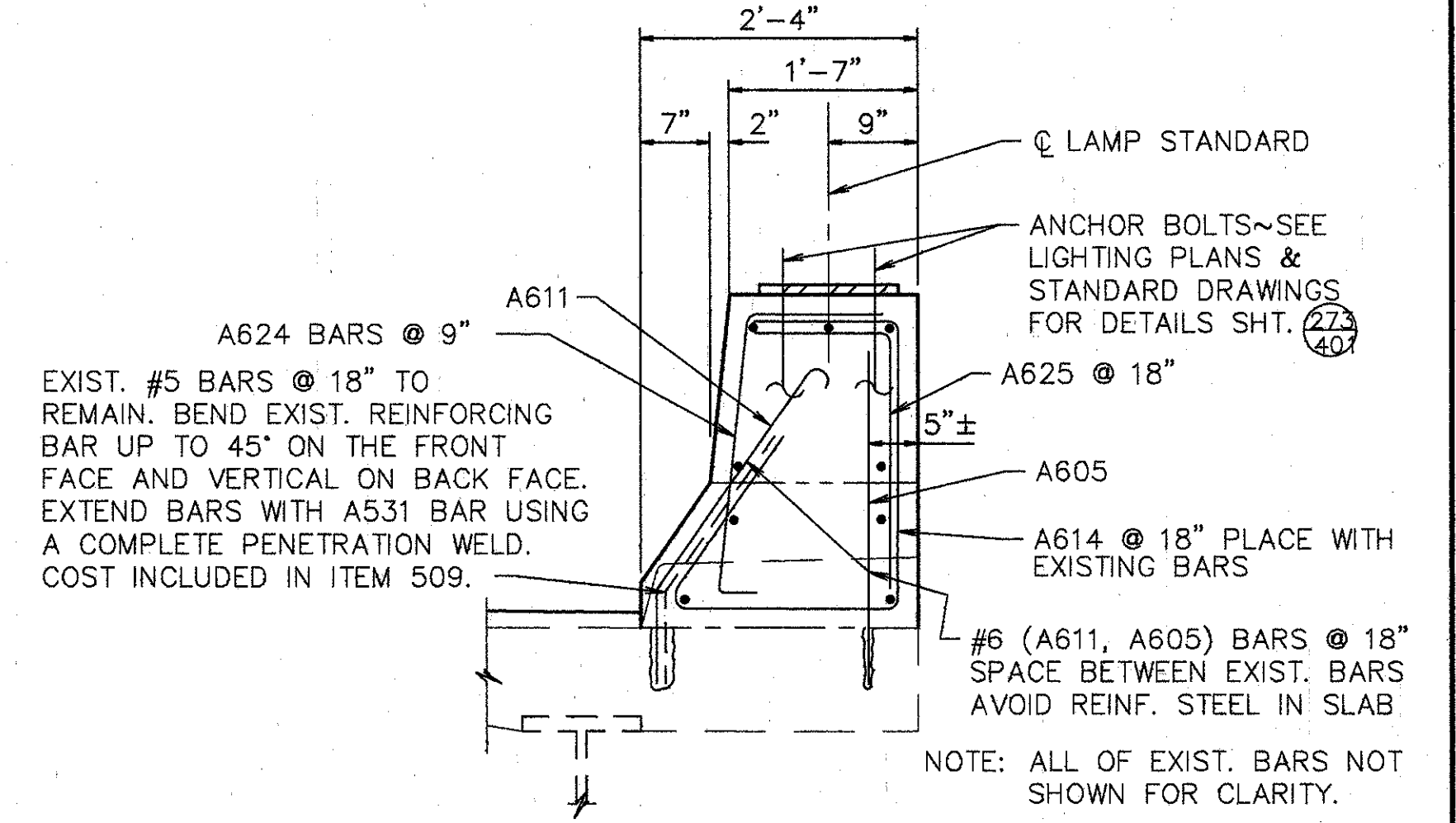


SECTION P-P

† BARS SHALL REMAIN. CONTRACTOR SHALL EXERCISE CAUTION TO ENSURE THAT THESE BARS ARE NOT DAMAGED DURING THE CONC. REMOVAL OPERATION. ANY BARS DAMAGED AS A RESULT OF THE CONTRACTOR'S OPERATION SHALL BE REPLACED OR REPAIRED BY THE CONTRACTOR AT HIS EXPENSE. METHOD OF REPAIR OR REPLACEMENT WILL BE AT THE DISCRETION OF THE DIRECTOR.



SECTION Q-Q



CROSS SECTION @ LAMP STANDARDS

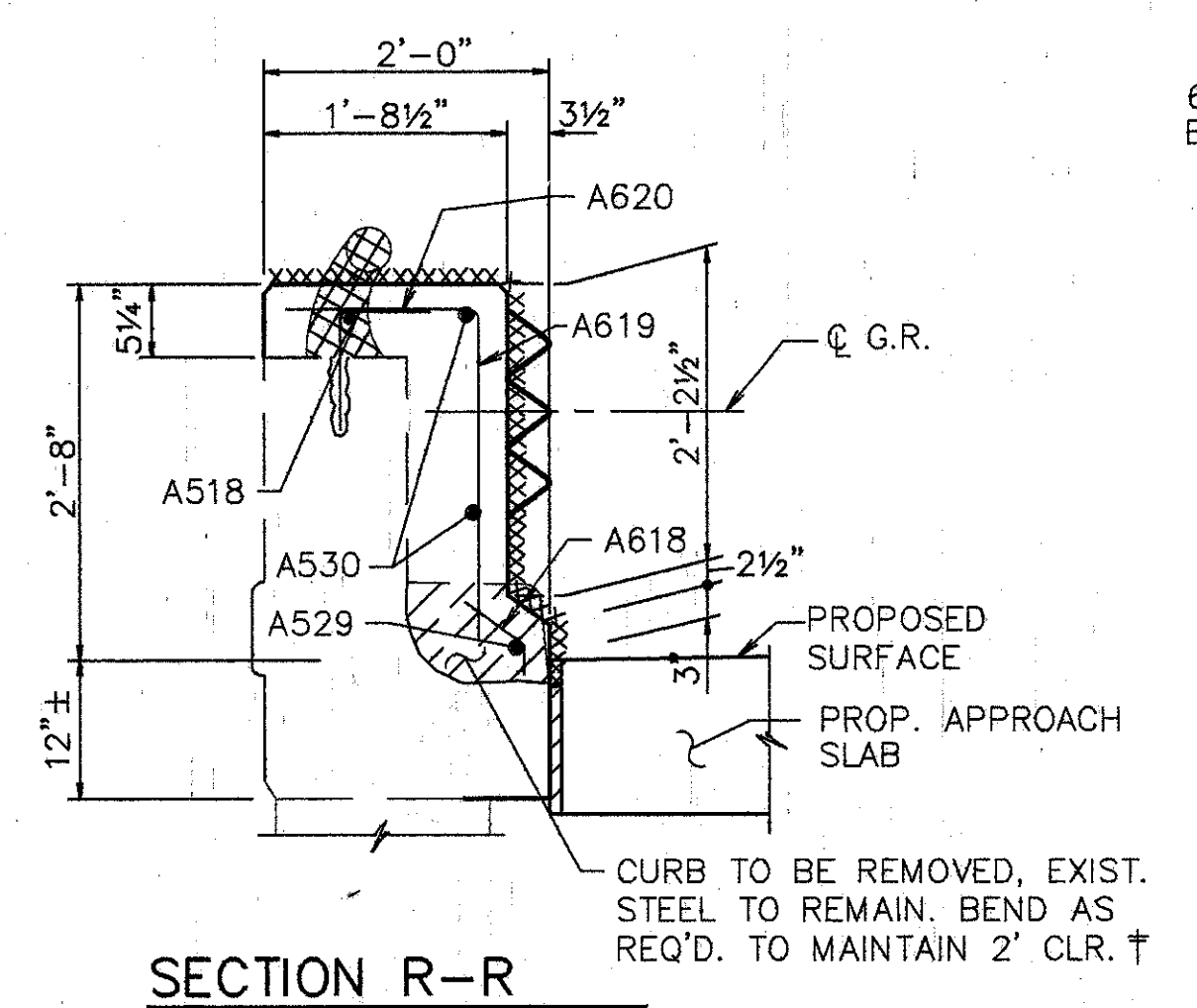
NOTES: BARS PLACED AT SPACING SHOWN IN PARAPET PANEL THAT INCLUDES LAMP STANDARD.

50" BARRIER SHALL BE DISCONTINUED 9" EITHER SIDE OF © LAMP STANDARD. BARRIER SHALL BE 32" AS SHOWN BENEATH LAMP STANDARD.

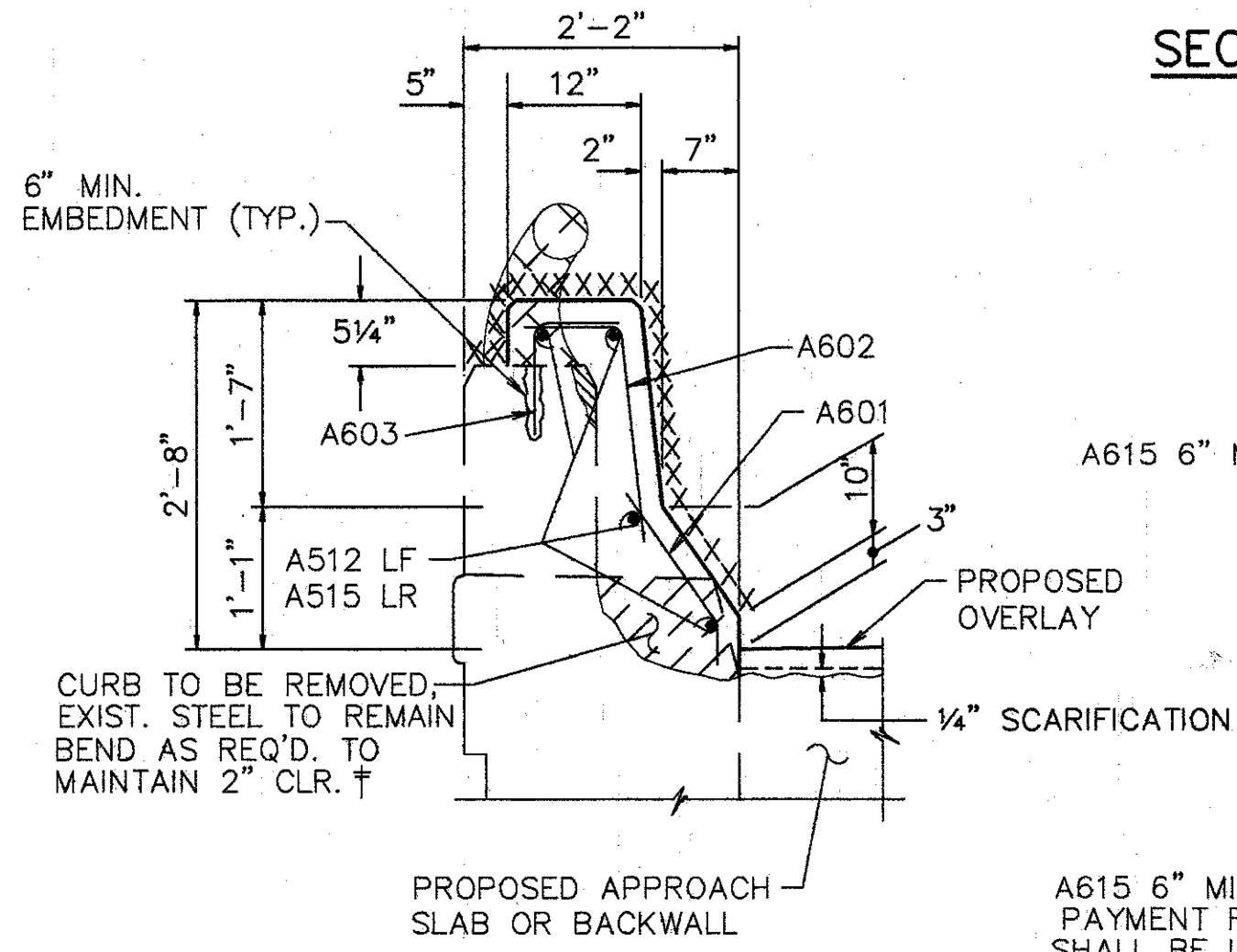
- EXIST. CURB & PARAPET TO BR REMOVED UNDER ITEM 202, PORTIONS OF STRUCTURE REMOVED
- EXIST. RAILING & POSTS TO BE REMOVED & STACKED NEATLY ALONG THE RIGHT-OF-WAY FOR DISPOSAL BY THE CONTRACTOR. ALL WORK SHALL BE INCLUDED IN THE PRICE BID FOR ITEM 202, PORTIONS OF STRUCTURE REMOVED
- XXXXXXXX SURFACES TO BE SEALED UNDER ITEM SPECIAL, SEALING OF CONCRETE SURFACE.

NOTES:

1. TYPE 'A' WATERPROOFING AT THE BRIDGE LIMIT END OF THE WIDENED APPR. SLAB (AS PER STD. DWG. AS-1-81) SHALL BE INCLUDED IN THE PRICE BID FOR ITEM 611 - APPROACH SLAB.

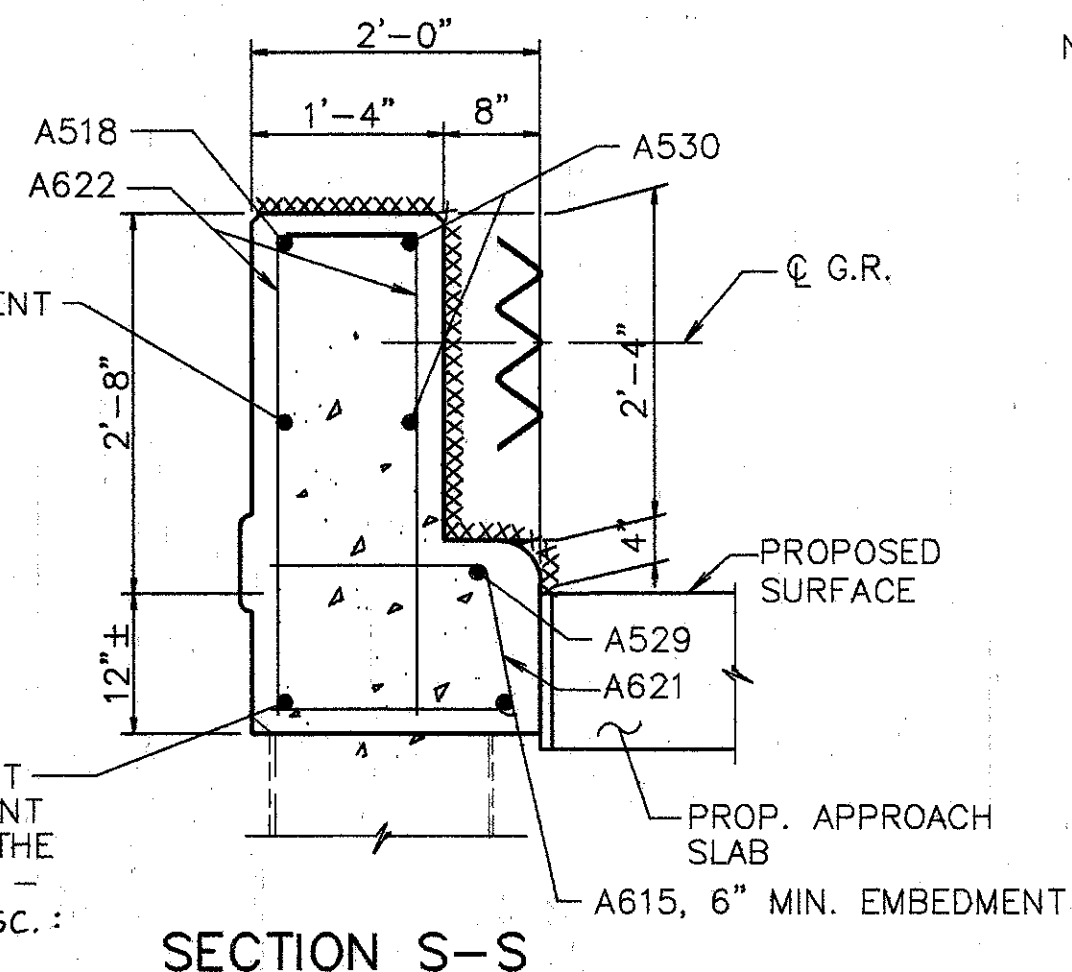


SECTION R-R



SECTION D-D

A615 6" MIN. EMBEDMENT PAYMENT FOR EMBEDMENT SHALL BE INCLUDED IN THE PRICE BID FOR ITEM 511 - CLASS S CONCRETE, MISC.: ABUTMENT PARAPETS



SECTION S-S

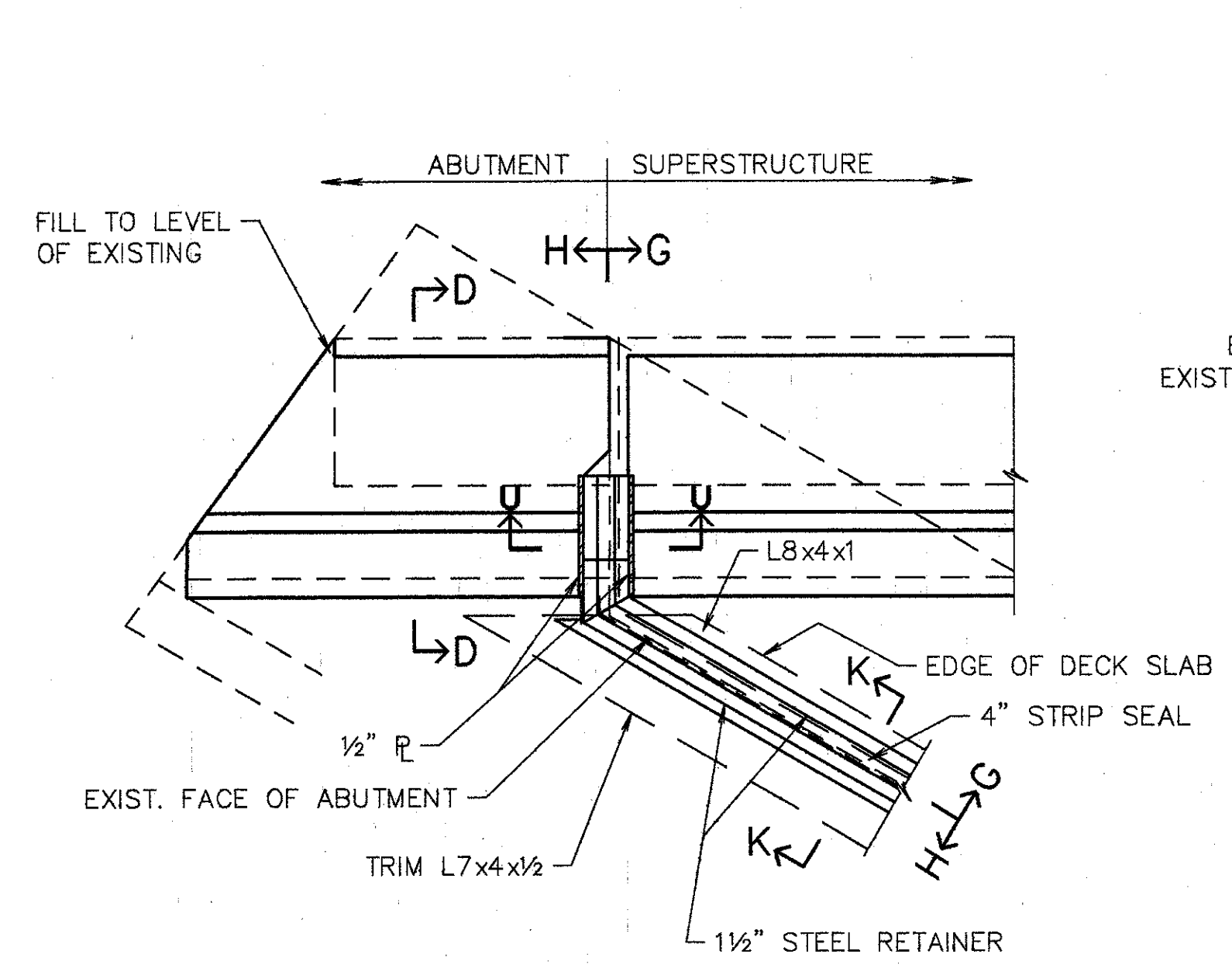
**WOOLPERT CONSULTANTS**  
 409 E. MONUMENT AVENUE  
 DAYTON, OHIO 45402-1226  
 (513) 461-5660

**PARAPET SECTIONS**

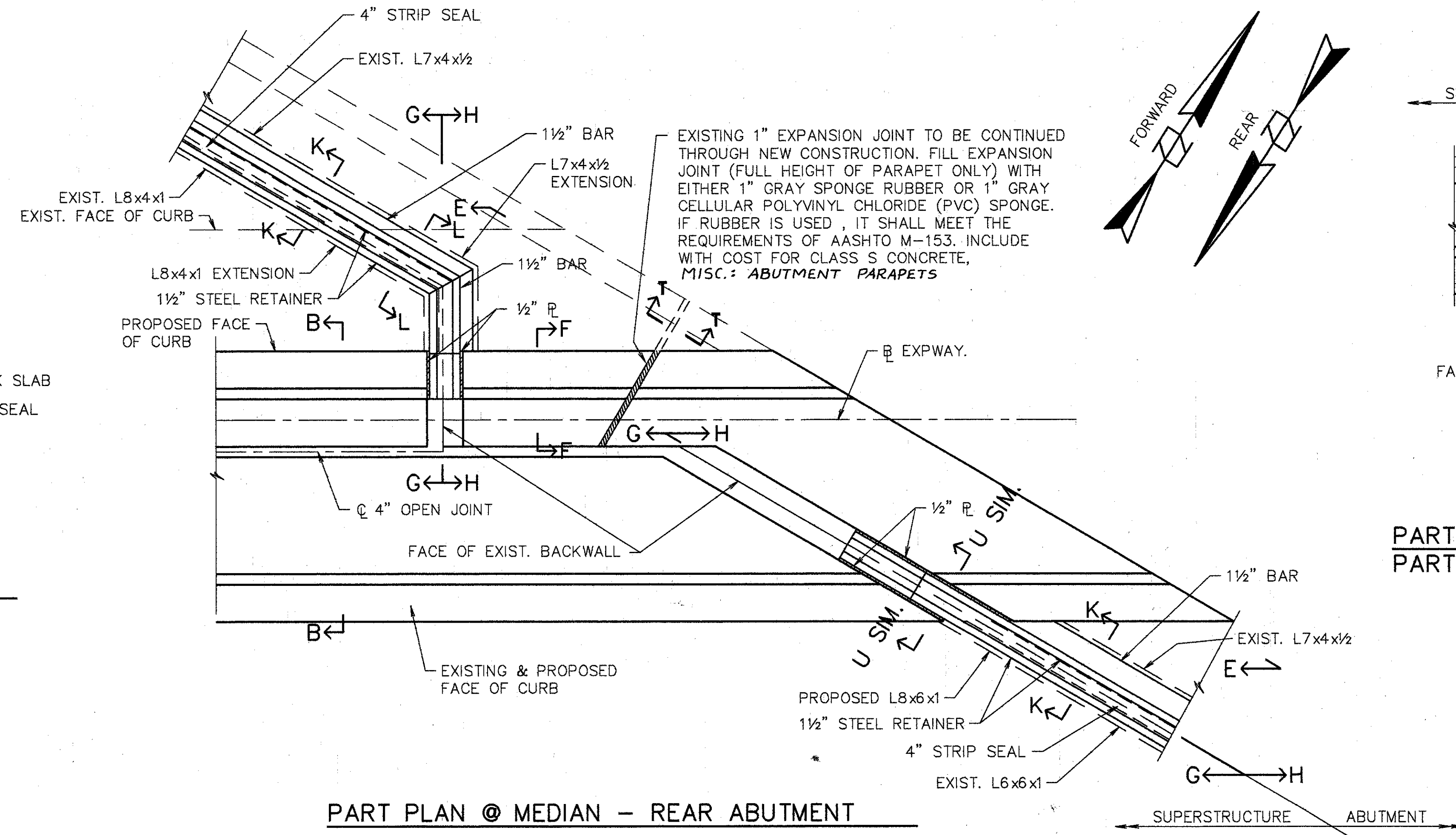
BRIDGE NO. HAM-71-0192 L/R  
 OVER RAMP "GD"

HAMILTON COUNTY

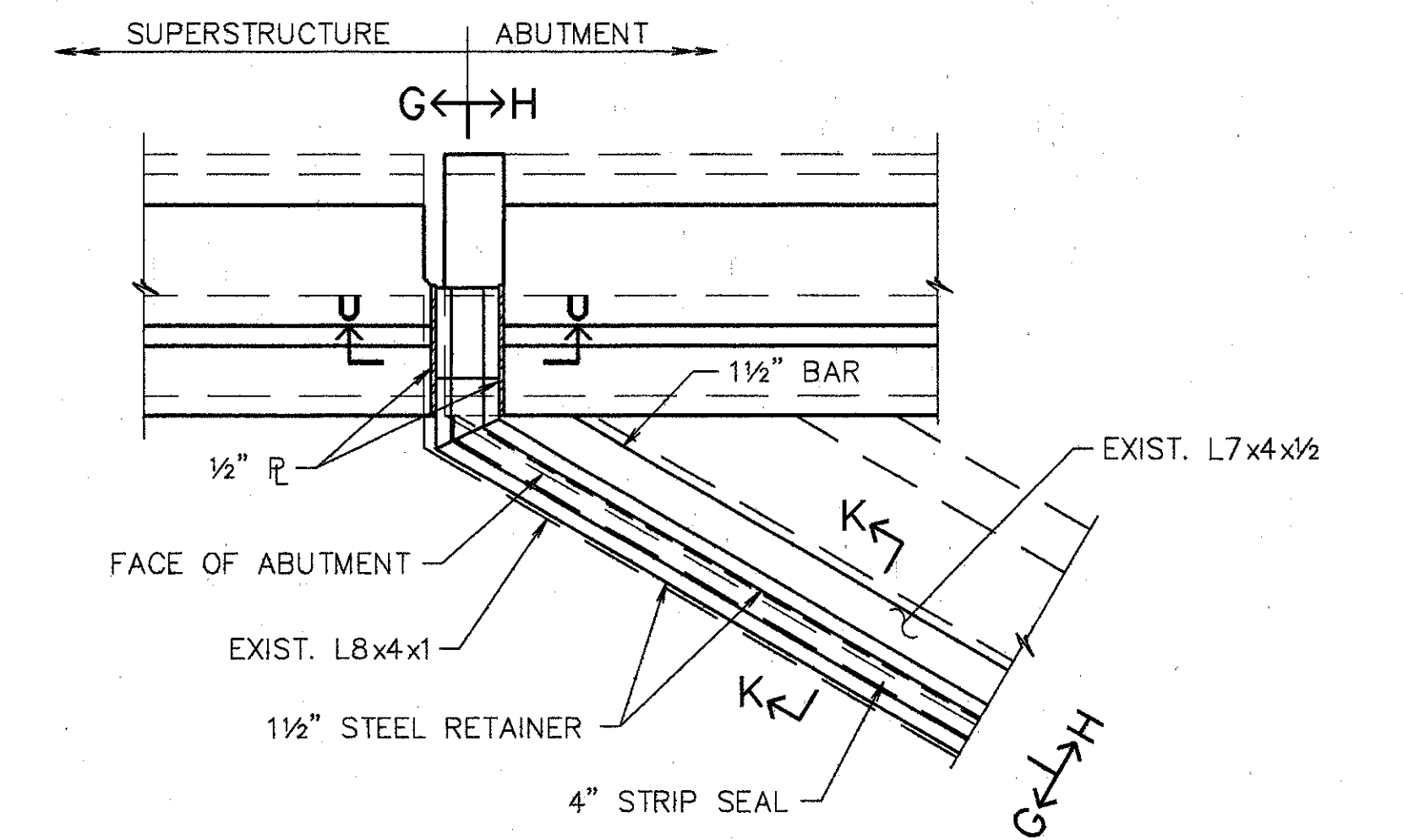
DESIGNED	DRAWN	TRACED	CHECKED	REVIEWED	DATE	REVISED
L.A.T.M.	D.E.E.		M.A.A.	DEM11/11/94		



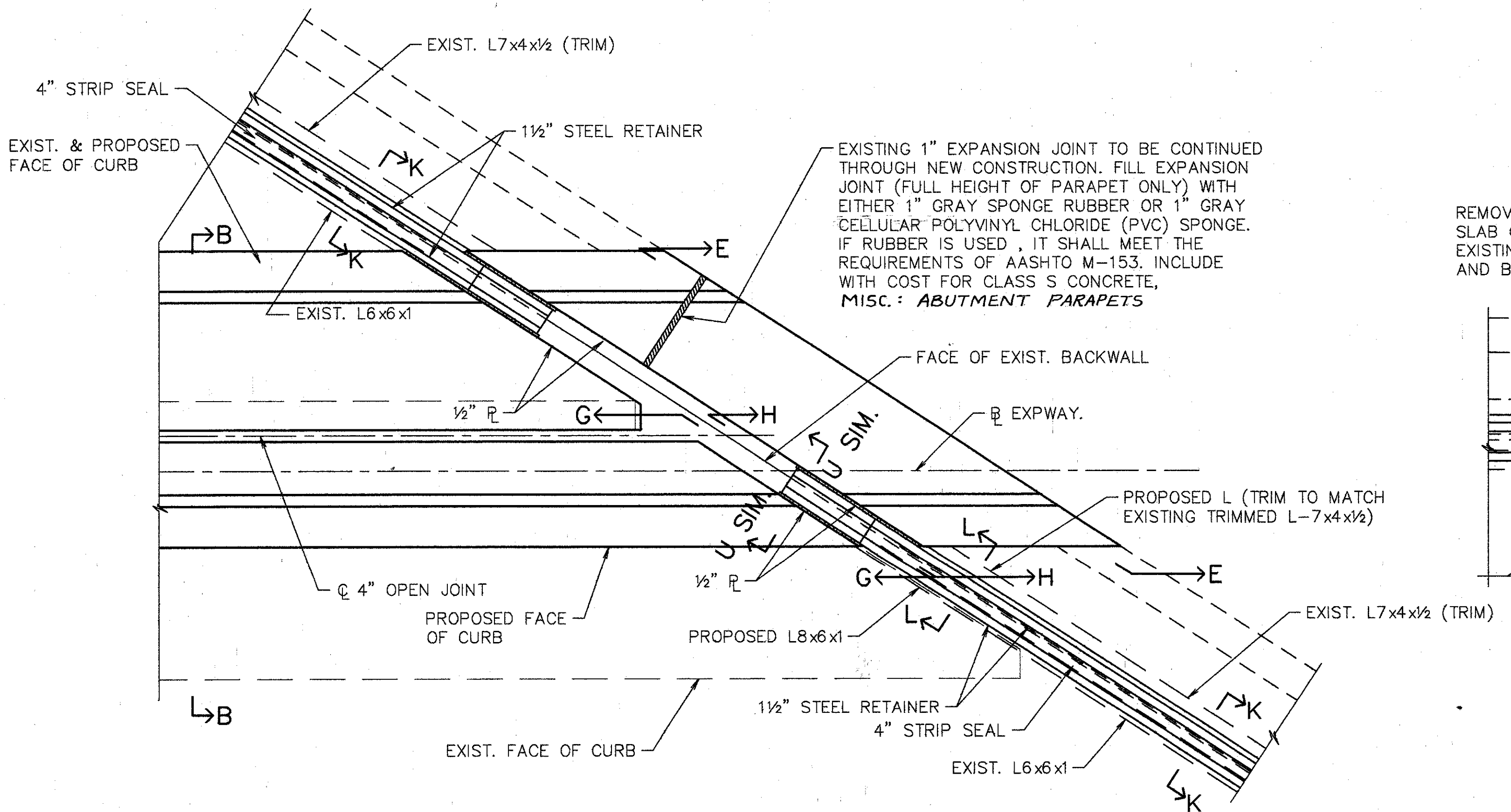
PART PLAN @ LEFT - REAR ABUTMENT  
 PART PLAN @ RIGHT - FORWARD SIMILAR



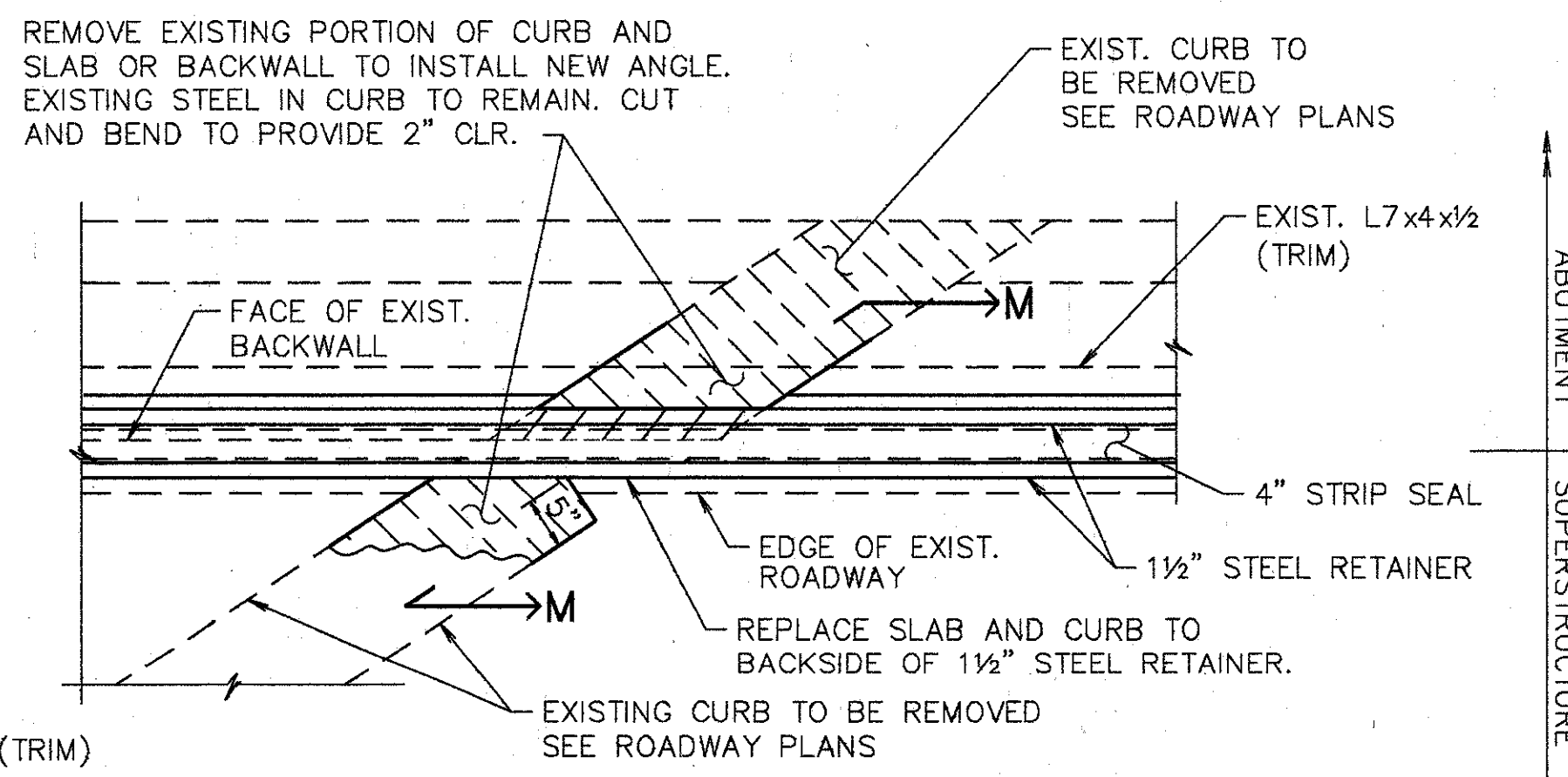
PART PLAN @ MEDIAN - REAR ABUTMENT



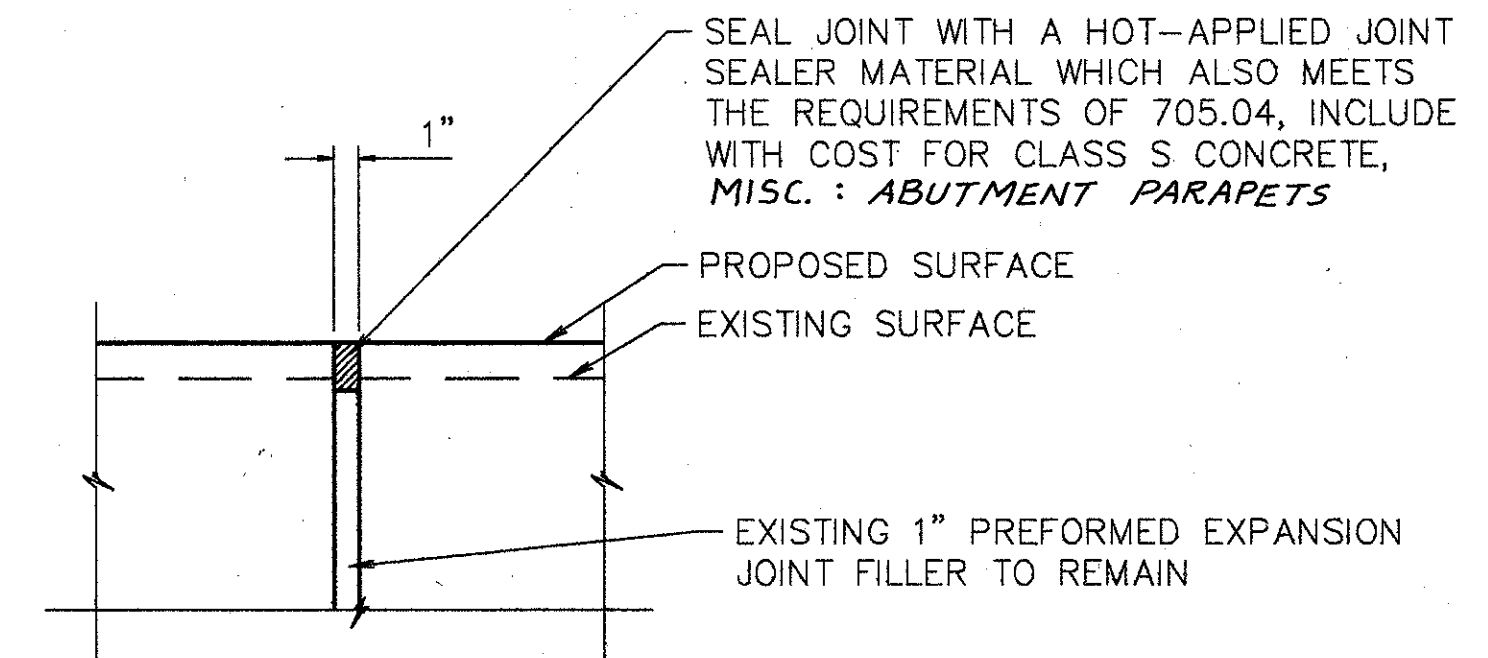
PART PLAN @ RIGHT - REAR ABUTMENT  
 PART PLAN @ LEFT - FORWARD SIMILAR



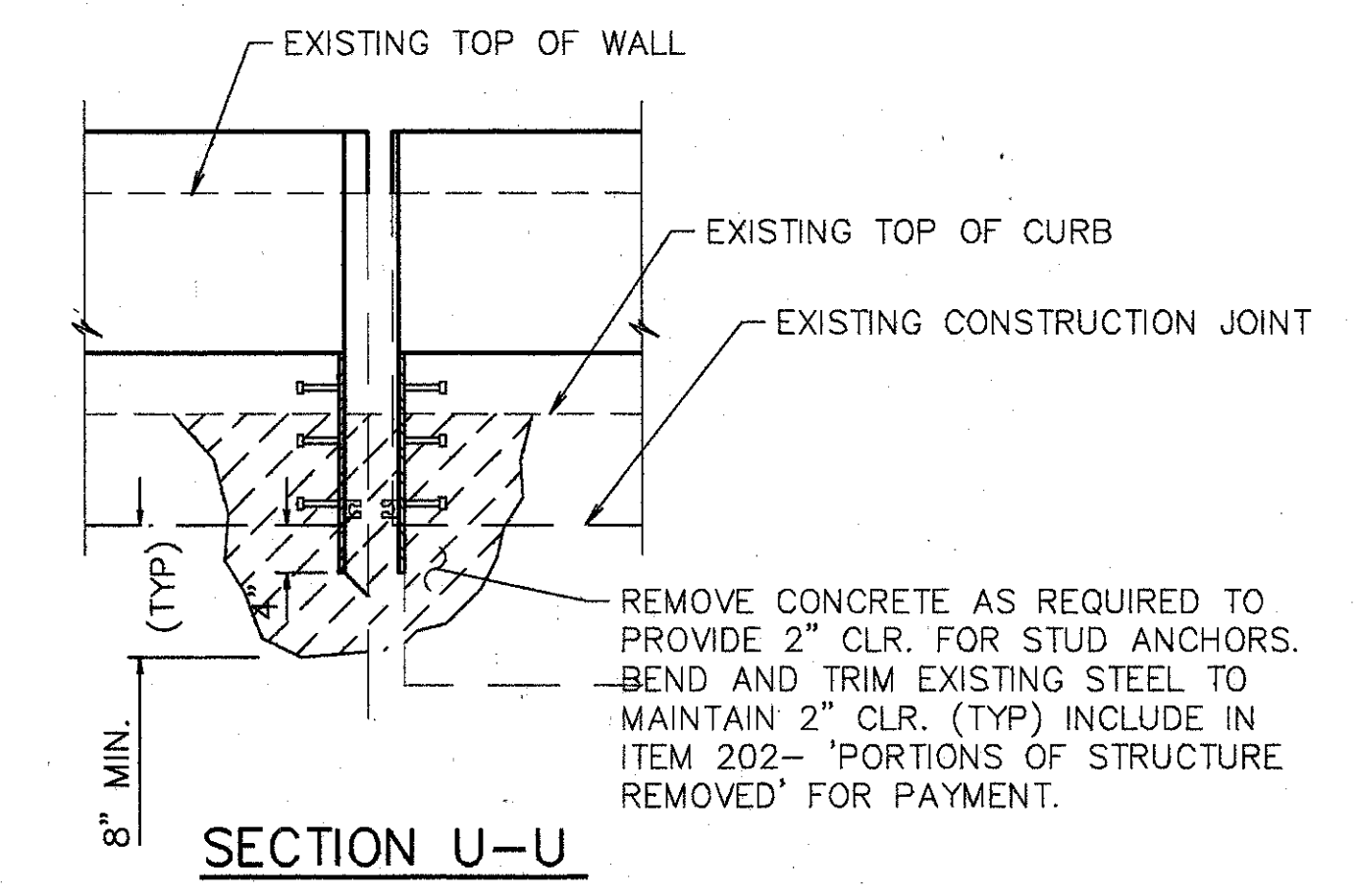
PART PLAN @ MEDIAN - FORWARD ABUTMENT



PART PLAN @ RAMP - REAR ABUTMENT



SECTION T-T



SECTION U-U

**WOOLPERT CONSULTANTS**  
 409 E. MONUMENT AVENUE  
 DAYTON, OHIO 45402-1226  
 (513) 461-5660

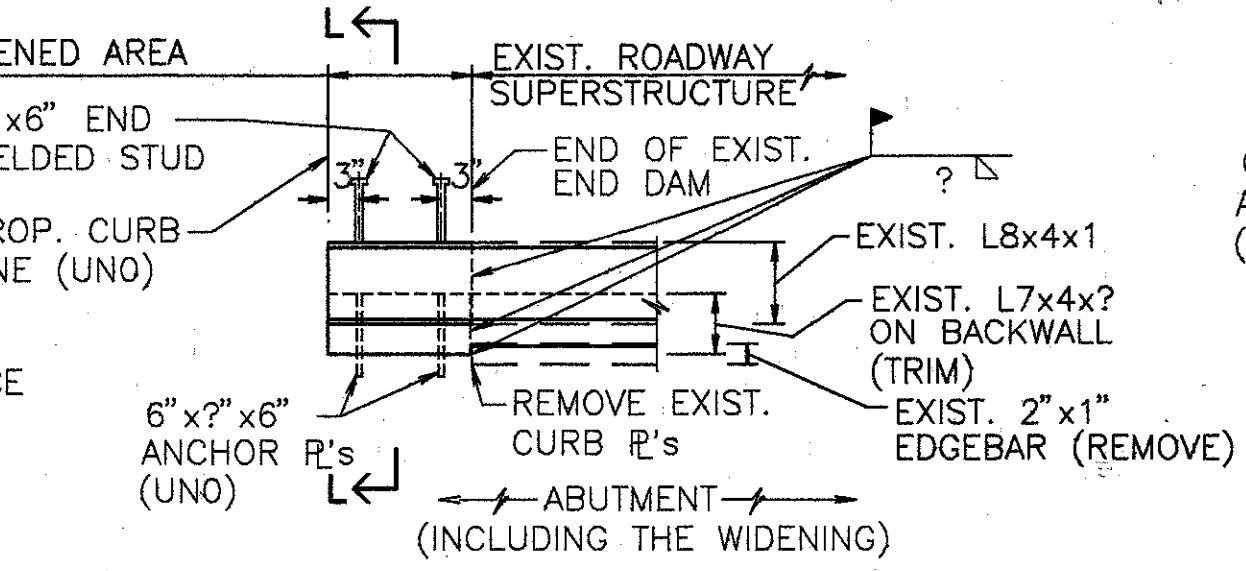
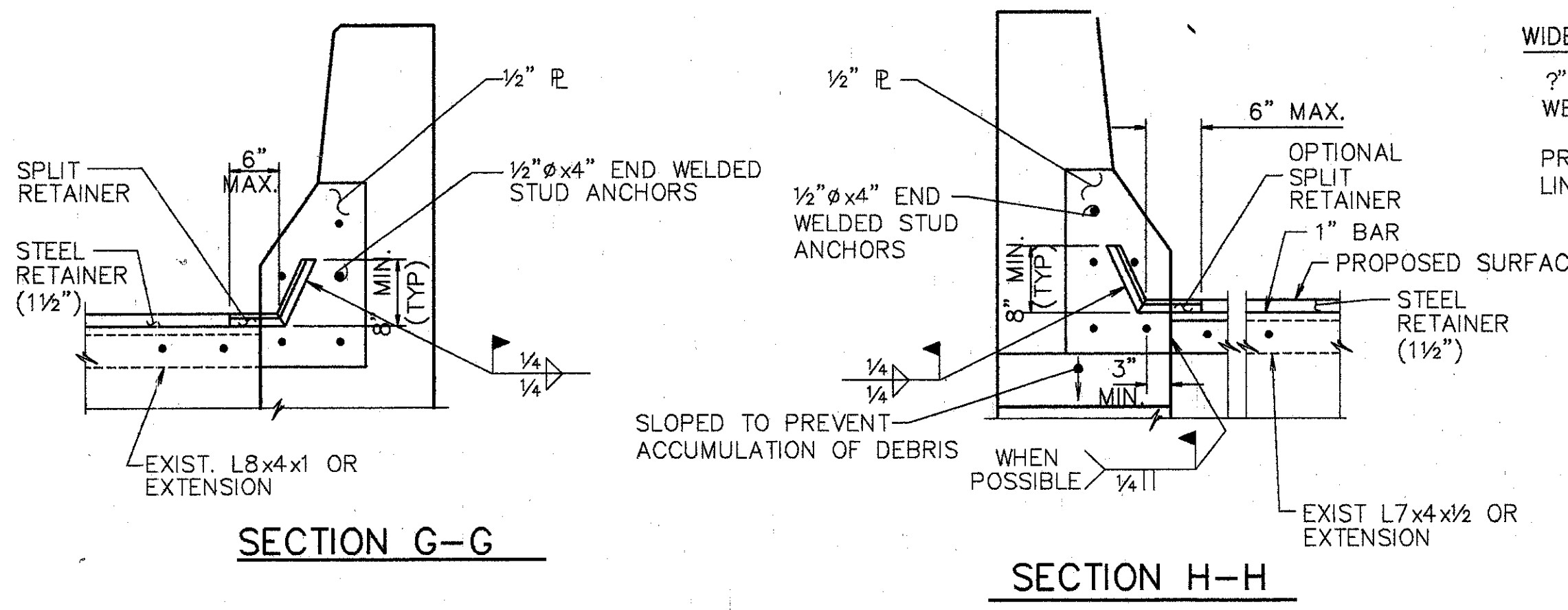
**STRIP SEAL EXPANSION JOINTS AT ABUTMENTS**

BRIDGE NO. HAM-71-0192 L/R  
 OVER RAMP "GD"

DESIGNED	DRAWN	TRACED	CHECKED	REVIEWED	DATE	REVISED
L.A.T.M.	D.E.E.		M.A.A.	DEM	11/11/94	

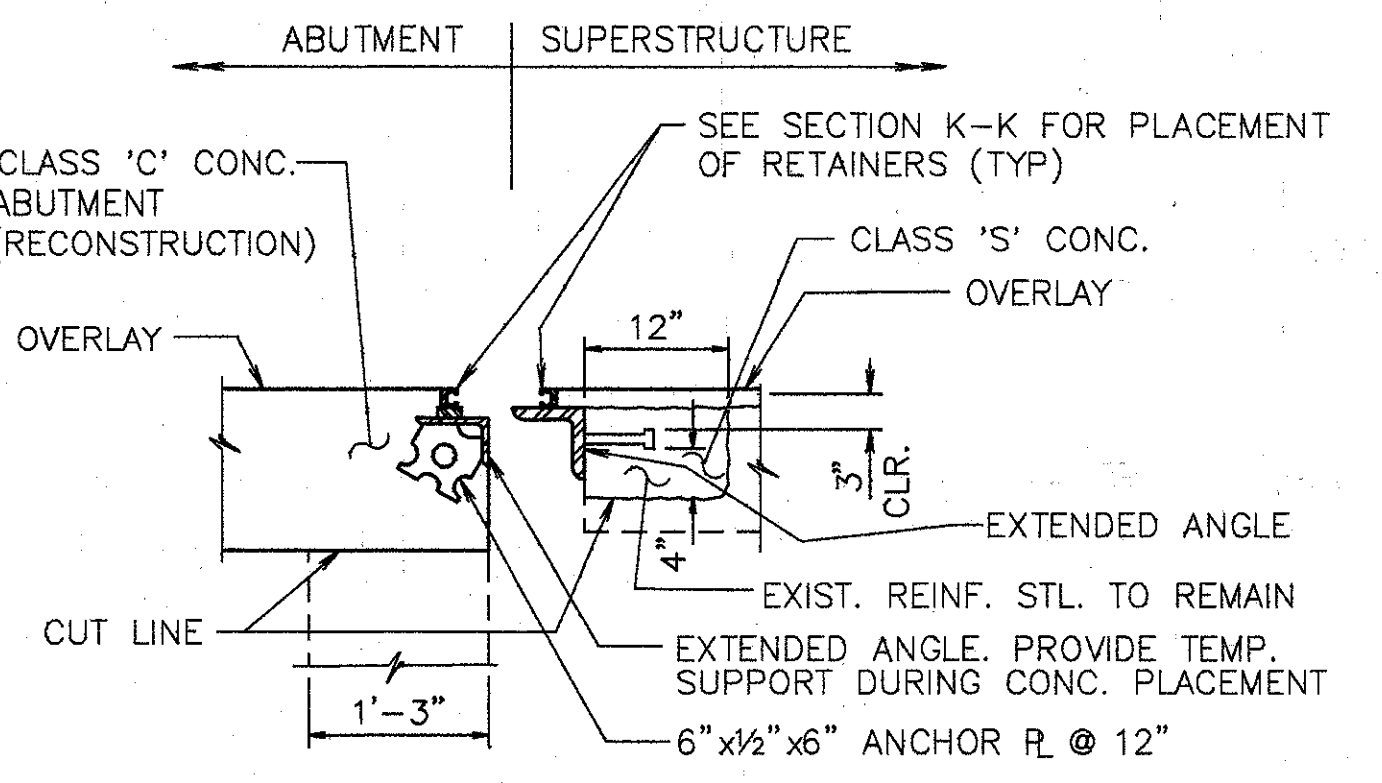
L.A.T.M. MAY 15, 1991 @ 2:21 PM  
 01/11/94-00/0125/10, Last Revision By: RACH, JUN. 2, 1992 @ 4:00 PM





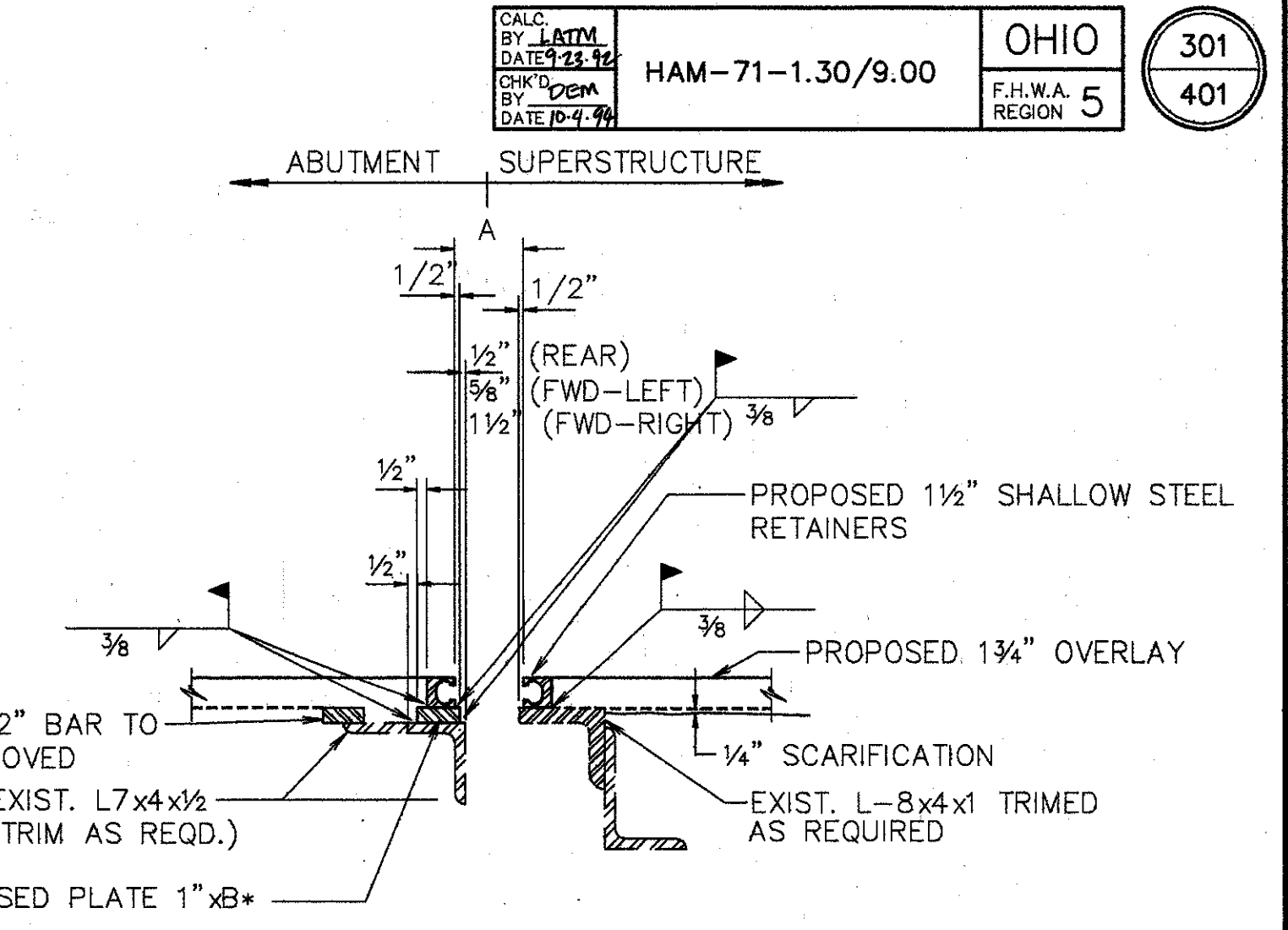
**NOTES:**

- END DAM WIDENING SHOWN IS FOR THE N.E. & S.W. CORNERS OF THE BRIDGE. THE N.W. & S.E. CORNERS ARE SIMILAR, BUT OPPOSITE HAND.
- FOR DETAILS & DIMS. NOT SHOWN SEE STD. DWG. SD-1-69.



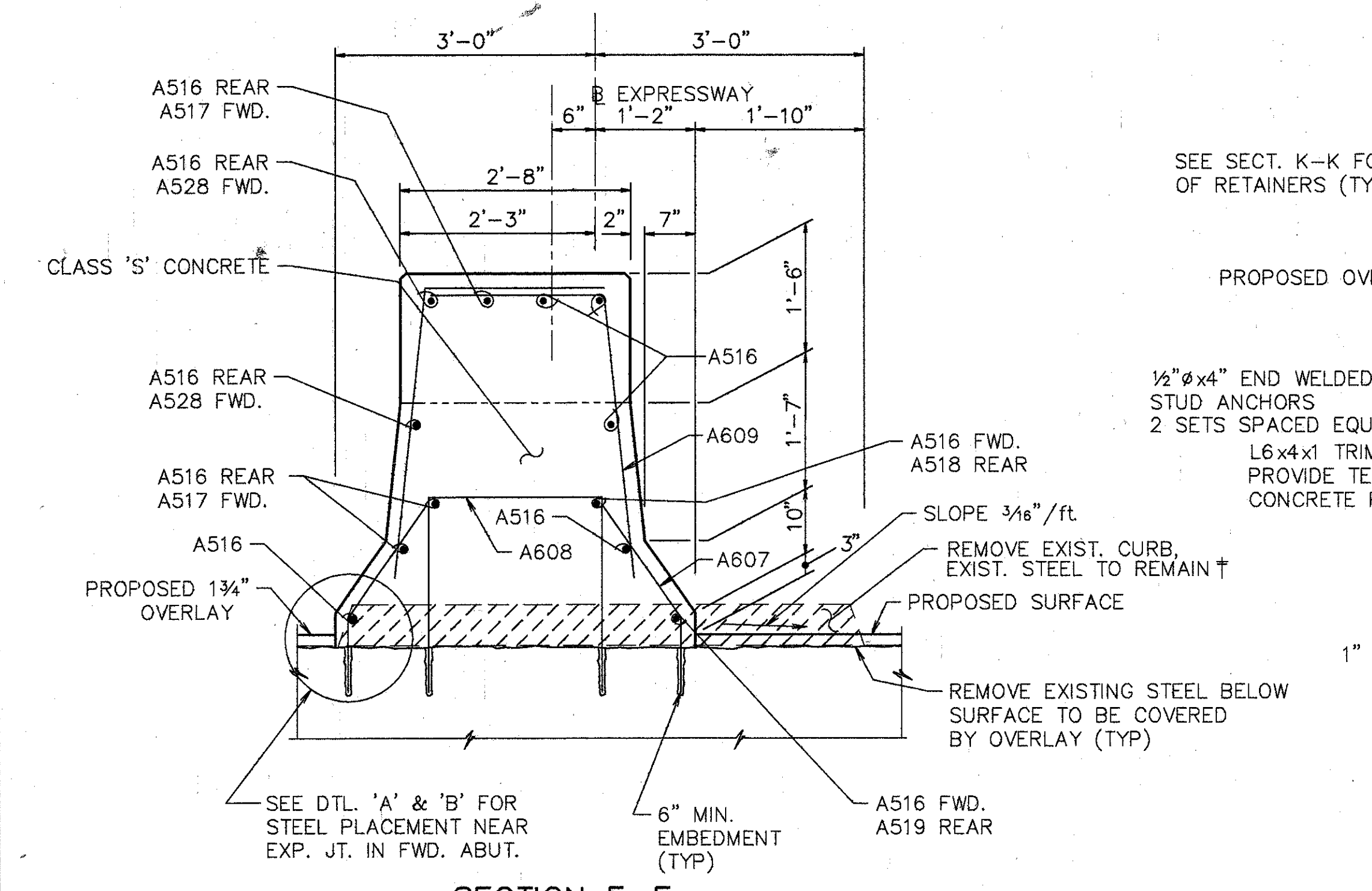
**NOTE:**

1. FOR DETAILS NOT SHOWN SEE STD. DWG. SD-1-69
2. SEE SECTION K-K FOR WELDING
3. SEE PLAN END DAM @ WIDENED AREAS, THIS SHEET.



**NOTES:**

1. CONTRACTOR TO VERIFY ALL DIMENSIONS PRIOR TO MODIFYING THE EXPANSION JOINT.
2. THE PRICE BID FOR ITEM 516-'STRUCTURAL EXPANSION JOINTS, INCLUDING ELASTOMERIC STRIP SEALS', SHALL INCLUDE ALL LABOR, MATERIALS, EQUIPMENT, AND ANY OTHER INCIDENTAL ITEMS, AS DETAILED. REMOVAL OF CURB OR PARAPET AS SHOWN SHALL BE INCLUDED UNDER ITEM 202-'PORTIONS OF STRUCTURE REMOVED'.
3. FOR DETAILS NOT SHOWN REFER TO DRAWING EXJ-4-87 SHEETS 3 AND 4.
4. STRIP SEAL TO BE INSTALLED IN ONE CONTINUOUS PIECE (NO OPEN JOINTS).
5. PROVIDE TEMPORARY SUPPORT FOR ABUTMENT END DAM DURING CONSTRUCTION. REMOVE TEMPORARY SUPPORT AS SOON AS CONCRETE HAS SET, PREFERABLY WITHIN TWO HOURS AFTER PLACING TO AVOID DAMAGE DUE TO EXPANSION AND CONTRACTION OF SUPERSTRUCTURE.



**NOTE:**

BARS PLACED WITH SKEW.  
 WORK TO BE INCLUDED IN ITEM 511 - CLASS S CONCRETE, MISC.: ABUTMENT PARAPETS

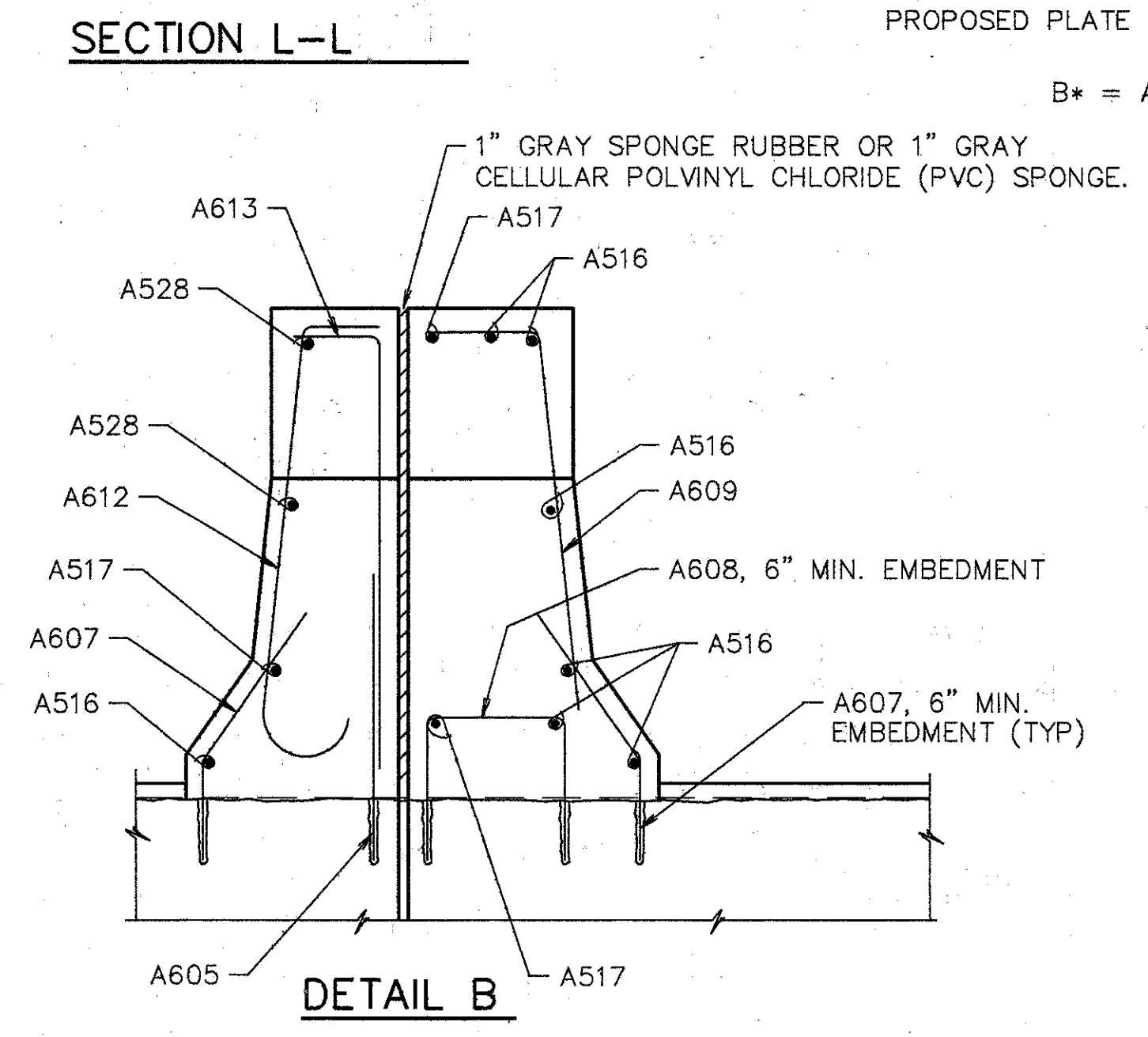
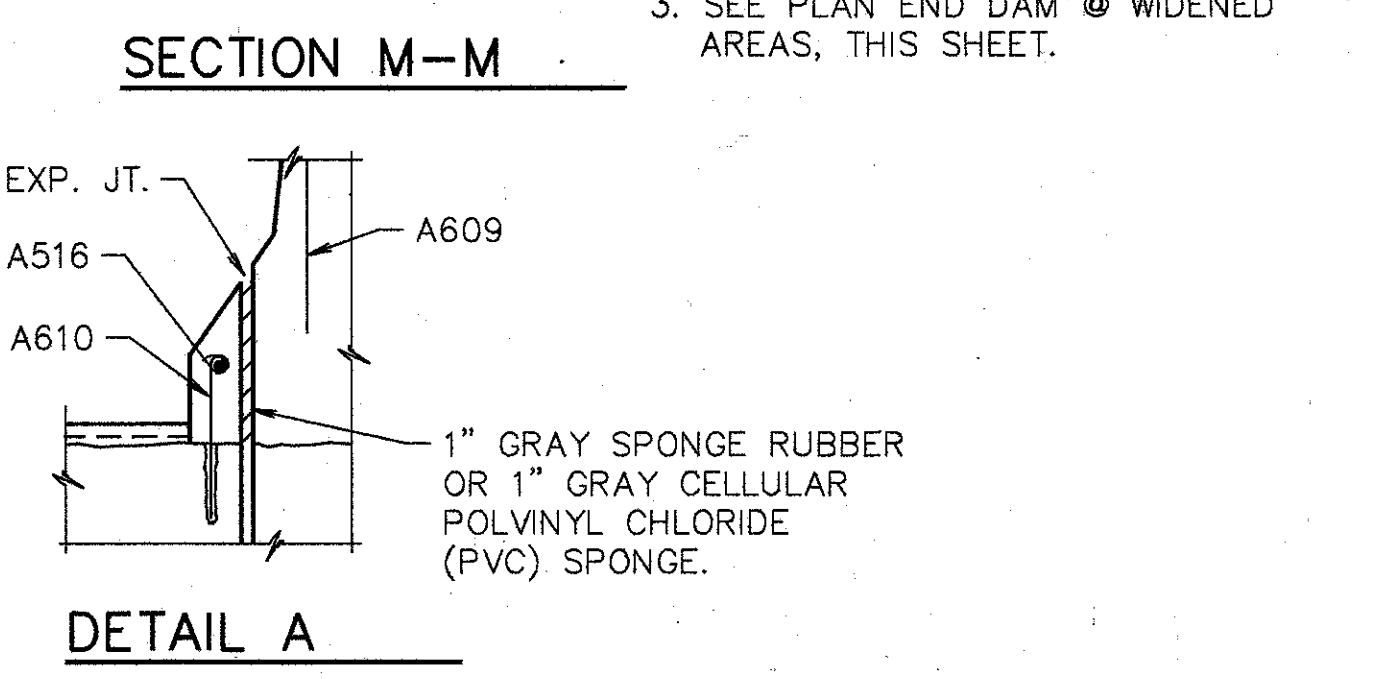
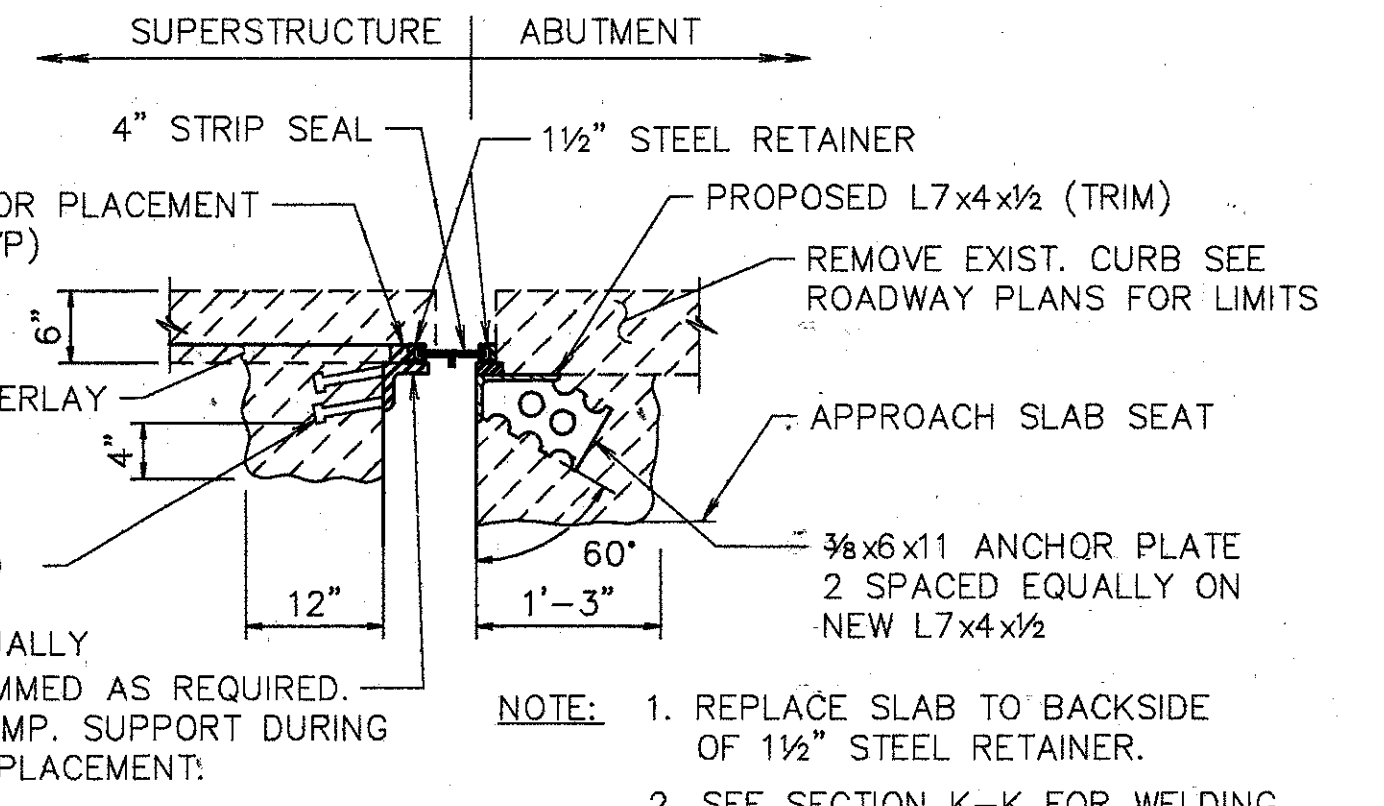
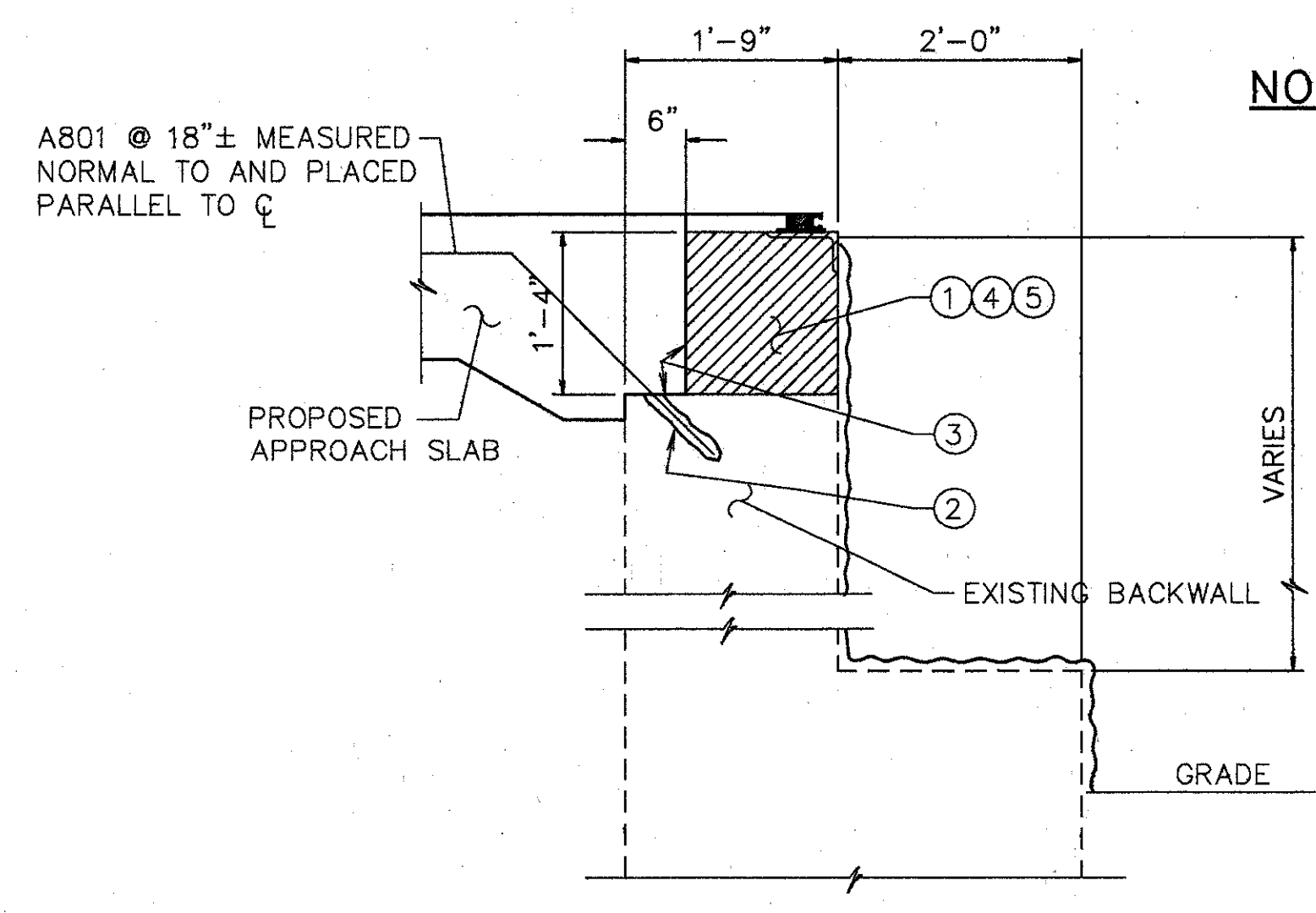


TABLE A	REAR ABUTMENT		FORWARD REAR	
	R	L	R	L
SOUTH BOUND	A542	A539	-	A538
NORTH BOUND	A537	A543	A541	A540
RAMP	-	A541	-	-

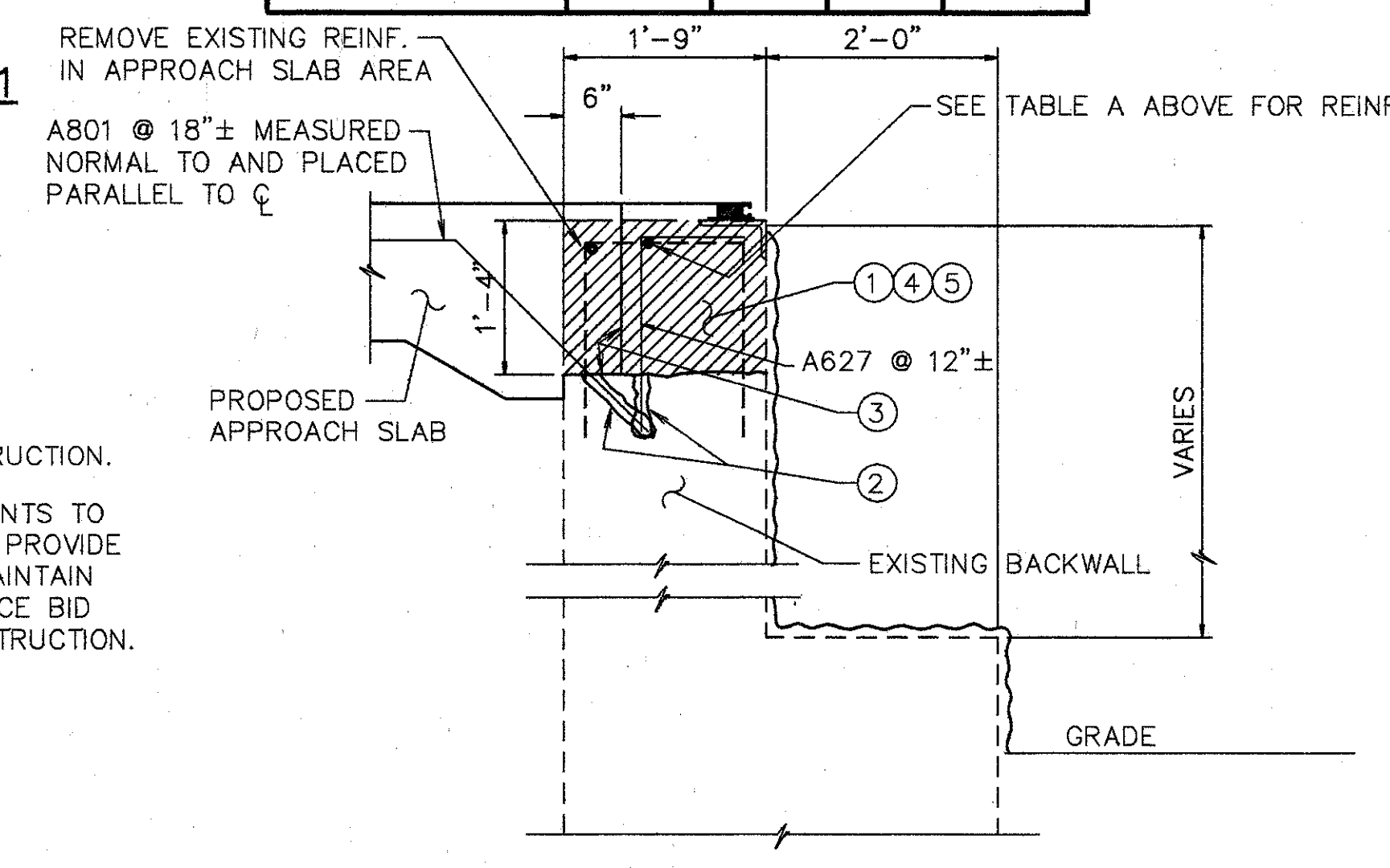
TEMPERATURE	DIM. 'A'	
	FORWARD	REAR
40° F	3 3/8"	3 1/2"
50° F	3 1/4"	3 1/2"
60° F	3 1/4"	3 3/8"
70° F	3 1/8"	3 3/8"
80° F	3"	3 1/4"
90° F	3"	3 1/4"



**NOTES FOR SECTION N-N & N1-N1**

1. EXISTING REINFORCING STEEL TO REMAIN ~ REINFORCING STEEL DAMAGED TO BE REPLACED AT CONTRACTOR'S EXPENSE.
2. 1' MIN. EMBEDMENT (SEE DOWEL HOLE GENERAL NOTE) ITEM 510.
3. TYPE 'A' WATERPROOFING (PAYMENT INCLUDED IN THE PRICE BID FOR APPROACH SLAB).
4. CLASS 'C' CONCRETE, ABUTMENT RECONSTRUCTION.
5. PROVIDE CONTRACTION AND EXPANSION JOINTS TO MATCH THOSE IN EXISTING BACKWALL AND PROVIDE CONSTRUCTION JOINTS AS REQUIRED TO MAINTAIN TRAFFIC. PAYMENT TO BE INCLUDED IN PRICE BID FOR ITEM 511 CLASS C CONCRETE RECONSTRUCTION.

EXISTING CONCRETE TO BE REMOVED INCLUDE IN ITEM 202 FOR PAYMENT.  
 SURFACE TO BE SEALED UNDER ITEM SPECIAL-'SEALING OF CONCRETE SURFACE, EPOXY'.



† BARS SHALL REMAIN. CONTRACTOR SHALL EXERCISE CAUTION TO ENSURE THAT THESE BARS ARE NOT DAMAGED DURING THE CONC. REMOVAL OPERATION. ANY BARS DAMAGED AS A RESULT OF THE CONTRACTOR'S OPERATION SHALL BE REPLACED OR REPAIRED BY THE CONTRACTOR AT HIS EXPENSE. METHOD OF REPAIR OR REPLACEMENT WILL BE AT THE DISCRETION OF THE DIRECTOR.

**WOOLPERT CONSULTANTS**  
 409 E. MONUMENT AVENUE  
 DAYTON, OHIO 45402-1226  
 (513) 461-5660

**STRIP SEAL EXPANSION JOINTS AT ABUTMENTS**

BRIDGE NO. HAM-0192 L/R  
 OVER RAMP "GD"

HAMILTON COUNTY

DESIGNED	DRAWN	TRACED	CHECKED	REVIEWED	DATE	REVISED
L.A.T.M.	D.E.E.		M.A.A.	DEM11/11/94		

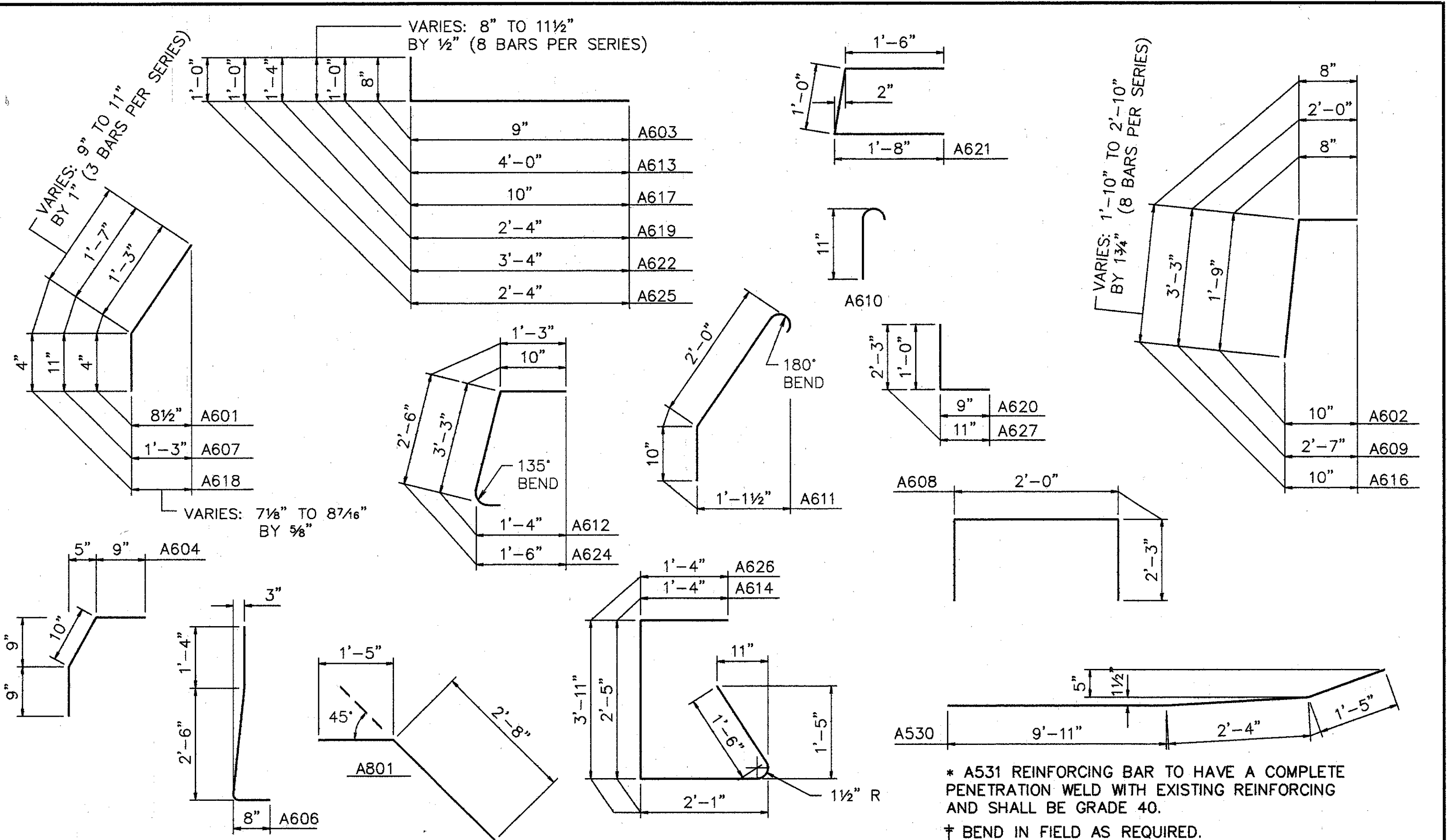
REINFORCING STEEL LIST

MARK	SHAPE	NUMBER	LENGTH	WEIGHT	MARK	SHAPE	NUMBER	LENGTH	WEIGHT	MARK	SHAPE	NUMBER	LENGTH	WEIGHT
A501	STR.	106	30'-0"	3317	A539	BNT.	1	12'-10"	13	A613	BNT.	248	4'-10"	1800
A502	STR.	2	30'-7"	64	A540	BNT.	1	14'-6"	15	A614	BNT.	2	7'-0"	21
A503	STR.	2	25'-10"	54	A541	BNT.	2	15'-2"	32	A615	STR.	1	10"	1
A504	STR.	8	21'-9"	181	A542	STR.	1	21'-10"	23	A616	BNT.	8	2'-6" TO 3'-6"	36
A505	STR.	60	17'-2"	1074	A543	BNT.	1	27'-0"	28	A617	BNT.	8	1'-4" TO 1'-8"	18
A506	STR.	3	20'-0"	63						A618	BNT.	3	1'-2"	5
A507	STR.	15	16'-7"	259	A601	BNT.	498	1'-6"	1122	A619	BNT.	3	3'-6"	16
A508	STR.	3	13'-4"	42	A602	BNT.	490	2'-5"	1779	A620	BNT.	3	1'-7"	7
A509	STR.	3	22'-10"	71	A603	BNT.	490	1'-3"	920	A621	BNT.	1	3'-10"	6
A510	STR.	4	13'-9"	57	A604	BNT.	240	2'-2"	781	A622	BNT.	2	4'-2"	13
A511	STR.	169	6'-2"	1087	A605	STR.	470	2'-6"	1765	A623	STR.	240	3'-10"	1382
A512	STR.	132	14'-8"	2019	A606	BNT.	240	4'-4"	1561	A624	BNT.	4	4'-3"	26
A513	STR.	4	18'-4"	76	A607	BNT.	7	2'-5"	25	A625	BNT.	2	3'-2"	10
A514	STR.	4	4'-5"	18	A608	BNT.	4	6'-2"	37	A626	BNT.	19	8'-6"	243
A515	STR.	4	2'-4" TO 3'-1" BY 3"	11	A609	BNT.	7	5'-1"	53	A627	BNT.	118	3'-0"	532
A516	STR.	17	2'-3"	40	A610	BNT.	1	1'-2"	3	A801	BNT.	162	4'-0"	1730
A517	STR.	3	1'-3"	4	A611	BNT.	233	3'-4"	1165	REPLACEMENT STEEL				600
A518	STR.	5	4'-0"	21	A612	BNT.	247	4'-9"	1762	TOTAL				26490
A519	STR.	1	1'-6"	2										
A520	STR.	4	1'-6" TO 2'-3" BY 3"	8										
A521	STR.	2	1'-6"	3										
A522	STR.	6	10'-2"	64										
A523	STR.	3	21'-0"	66										
A524	STR.	2	16'-4"	34										
A525	STR.	3	5'-11"	19										
A526	STR.	3	5'-6"	17										
A527	STR.	3	6'-8"	21										
A528	STR.	3	1'-0"	3										
A529	BNT. †	1	13'-8"	14										
A530	BNT.	2	13'-8"	28										
*A531	STR.	42	2'-0"	88										
A532	STR.	2	15'-10"	33										
A533	STR.	2	10'-0"	21										
A534	STR.	1	10'-6"	11										
A535	STR.	3	7'-1"	22										
A536	STR.	3	5'-9"	18										
A537	STR.	1	16'-10"	18										
A538	STR.	1	11'-11"	12										

ITEM	ITEM EXT.	TOTAL	UNITS	DESCRIPTION
202	11200	LUMP SUM	L.S.	PORTIONS OF STRUCTURE REMOVED
202	2350	1590	S.Y.	WEARING COURSE REMOVED (ASPHALT), AS PER PLAN
509	15824	26490	LBS.	EPOXY COATED REINFORCING STEEL, GRADE 60
510	12201	280	L.F.	DOWEL HOLES, AS PER PLAN
511	34450	13	C.Y.	CLASS S CONCRETE, MISC: ABUTMENT PARAPETS
511	34450	123	C.Y.	CLASS S CONCRETE, MISC: CONCRETE PARAPET RAILING, AS PER PLAN
511	45700	32	C.Y.	CLASS C CONCRETE ABUTMENT (RECONSTRUCTION)
SPECIAL	51267500	2065	S.Y.	SEALING OF CONCRETE SURFACE *
SPECIAL	51267502	563	S.Y.	SEALING OF CONCRETE SURFACE (EPOXY) *
516	14600	100	L.F.	STRUCTURAL JOINT OR JOINT SEALER, MISC.: 2"x4" SEALER, AS PER PLAN
513	21000	31	EACH	TRIMMING OF BEAM END
516	11210	465	L.F.	STRUCTURAL EXP. JT., INCLUDING ELASTOMERIC STRIP SEAL
516	45304	32	EACH	REFURBISH BEARING DEVICE
517	76201	465	L.F.	RAILING FACED, AS PER PLAN (32" HIGH)
518	12800	8	EACH	SCUPPER MODIFICATION
518	63300	LUMP SUM	L.S.	STRUCTURE DRAINAGE, MISC: MODIFY DRAINAGE PIPING
519	11100	88	S.F.	PATCHING CONCRETE STRUCTURE
SPECIAL	51912600	16	L.F.	CONCRETE REPAIR BY EPOXY INJECTION
604	33400	1	EACH	MANHOLE COVER
845	40210	3750	S.Y.	LATEX MODIFIED CONCRETE OVERLAY (1 1/4" THICK) ON EXISTING DECK
845	11000	32	C.Y.	LATEX MODIFIED CONCRETE OVERLAY (VARIABLE THICKNESS)
845	30000	1	C.Y.	FULL DEPTH REPAIR
514	27704	LUMP	L.S.	FIELD PAINTING EXISTING STEEL, EEU *
516	14600	760	L.F.	SEAL JOINT BETWEEN ABUTMENT AND CONCRETE SLOPE PROTECTION
518	63300	LUMP	L.S.	SCUPPER AND DRAINAGE PIPE CLEANOUT
601	21100	12	S.Y.	REPAIR CONCRETE SLOPE PROTECTION

CALC. BY: L.A.T.M. DATE: 4-23-94  
 CHD. BY: P.E.M. DATE: 4-24-94  
 HAM-71-1.30/9.00  
 OHIO F.H.W.A. REGION 5  
 302 401

BENT BAR DETAILS



\* SEE PROPOSAL NOTE

PROPOSED WORK

- SCARIFY EXISTING DECK 1/4", AND REMOVE DETERIORATED CONCRETE AS DIRECTED BY THE ENGINEER.
- REFURBISH ALL ABUTMENT BEARINGS.
- MODIFY PARAPETS ON THE SUPERSTRUCTURE & ABUTMENTS. SEAL PARAPETS AS SHOWN ON PLANS. (INSTALL PLATES FOR STRIP SEAL EXP. JT.).
- PLACE 1 1/4" THICK LATEX MODIFIED CONCRETE ON DECK.
- RECONSTRUCT ABUTMENT BACKWALLS ABOVE APPROACH SLAB SEAT.
- SEAL ALL TRANSVERSE EXPANSION JOINTS WITH STRIP SEAL.
- REFURBISH DRAINAGE PIPING.
- TRIM BEAM ENDS TO 2" CLEARANCE (OR AS CLOSE TO 2" AS POSSIBLE).
- AT LEAST ONE LANE OF TRAFFIC SHALL BE MAINTAINED IN EACH DIRECTION AND ON THE BRIDGE AT ALL TIMES. FOR NOTES SEE MAINTENANCE OF TRAFFIC PLANS. MAINTENANCE OF TRAFFIC PLAN REQUIRES CONSTRUCTION PHASING LIMITS AT LANE CENTERLINES. DUE TO THESE LIMITS, OVERLAY MAY REQUIRE SPECIAL ATTENTION.
- OTHER WORK AS DESCRIBED IN THESE PLANS.

Last Print MAY 15, 1991 @ 2:20 PM  
 G:\STR\9509-03\0302017.Lot Revision By: RACH MAY 15, 1994 @ 2:38 PM

**WOOLPERT CONSULTANTS**  
 409 E. MONUMENT AVENUE  
 DAYTON, OHIO 45402-1226  
 (513) 461-5660

**QUANTITIES AND GENERAL NOTES**

BRIDGE NO. HAM-0192 L/R  
 OVER RAMP "GD"

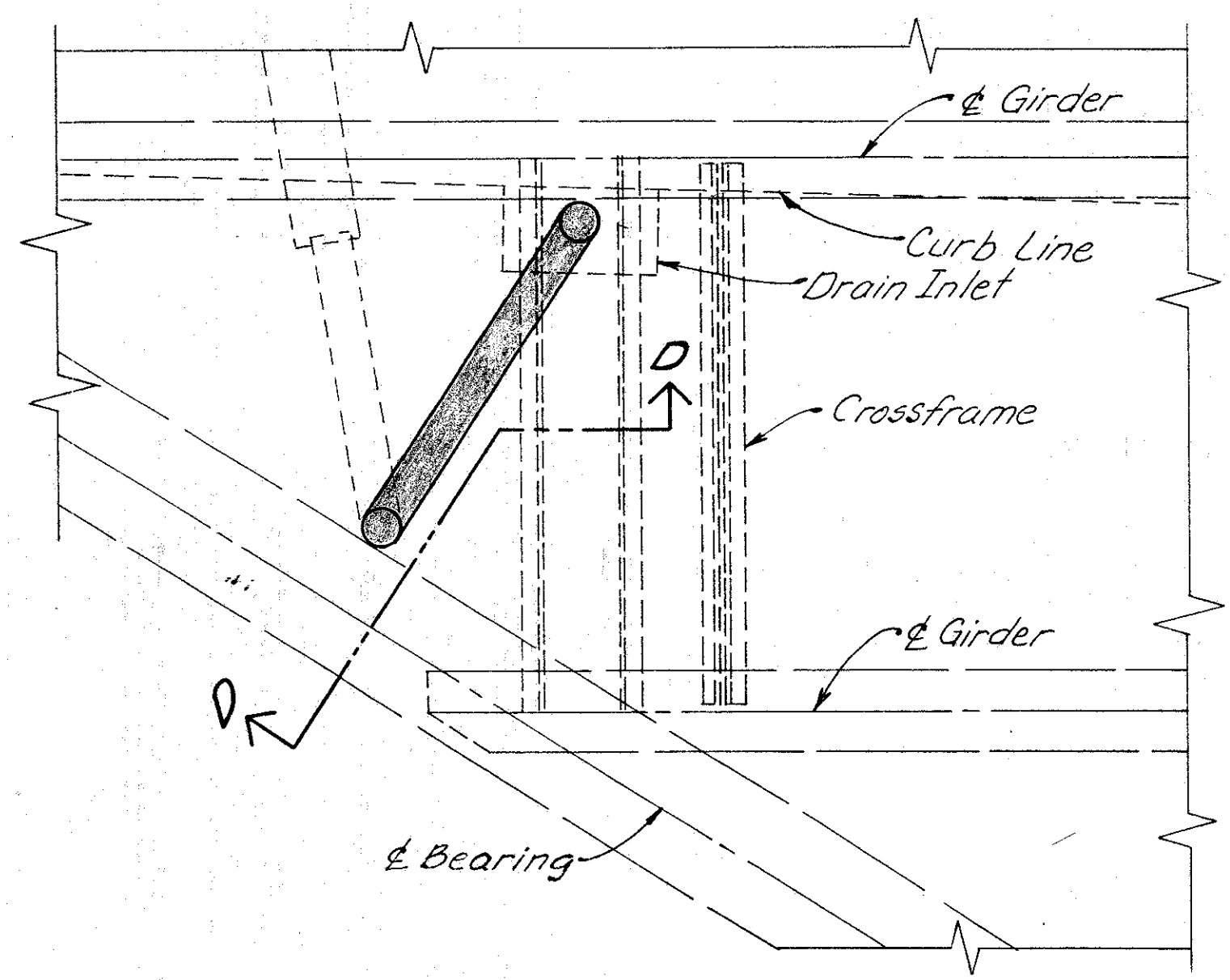
HAMILTON COUNTY

DESIGNED	DRAWN	TRACED	CHECKED	REVIEWED	DATE	REVISED
L.A.T.M.	D.E.E.		M.A.A.	DEM11/11/94		

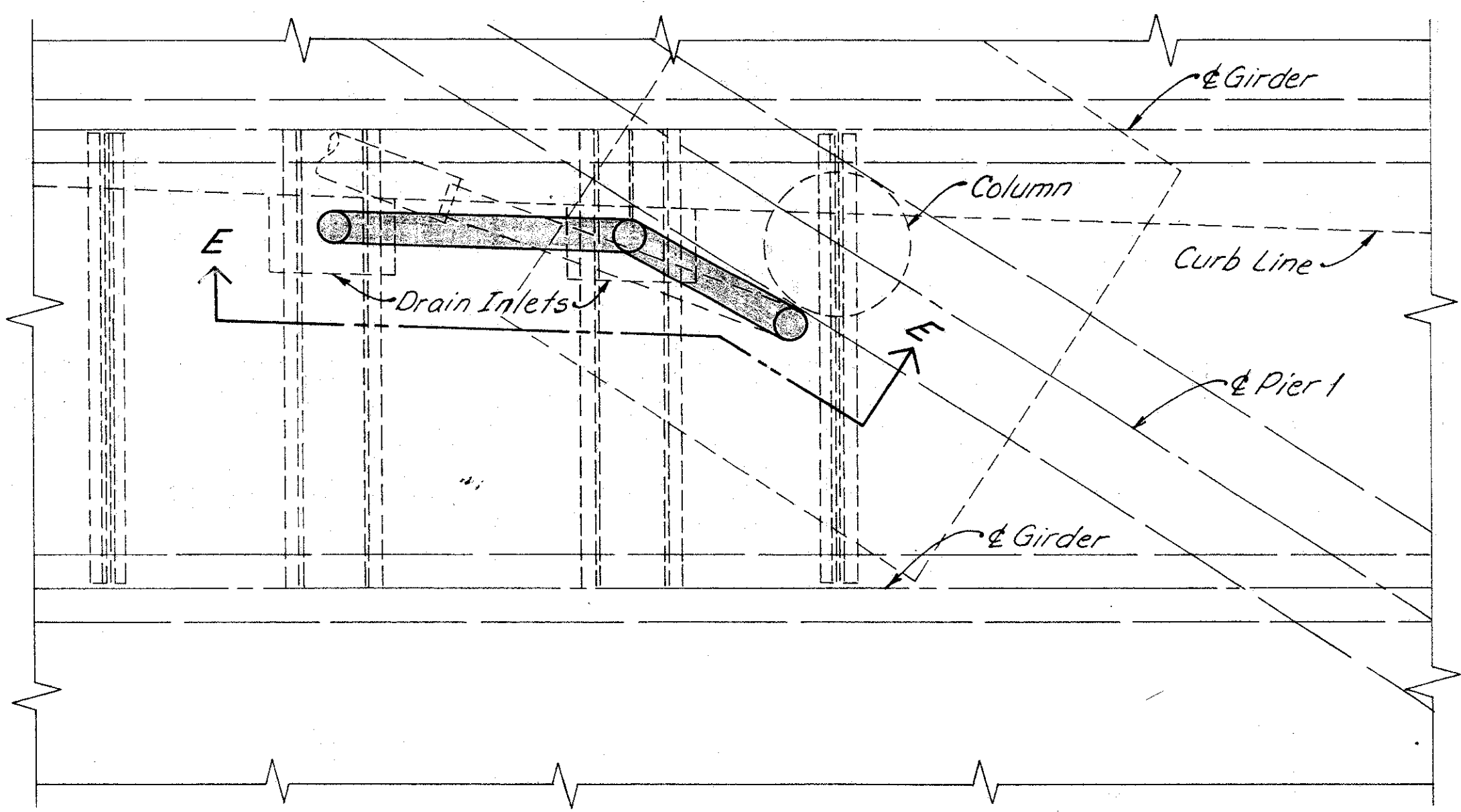
7/9

\* A531 REINFORCING BAR TO HAVE A COMPLETE PENETRATION WELD WITH EXISTING REINFORCING AND SHALL BE GRADE 40.  
 † BEND IN FIELD AS REQUIRED.

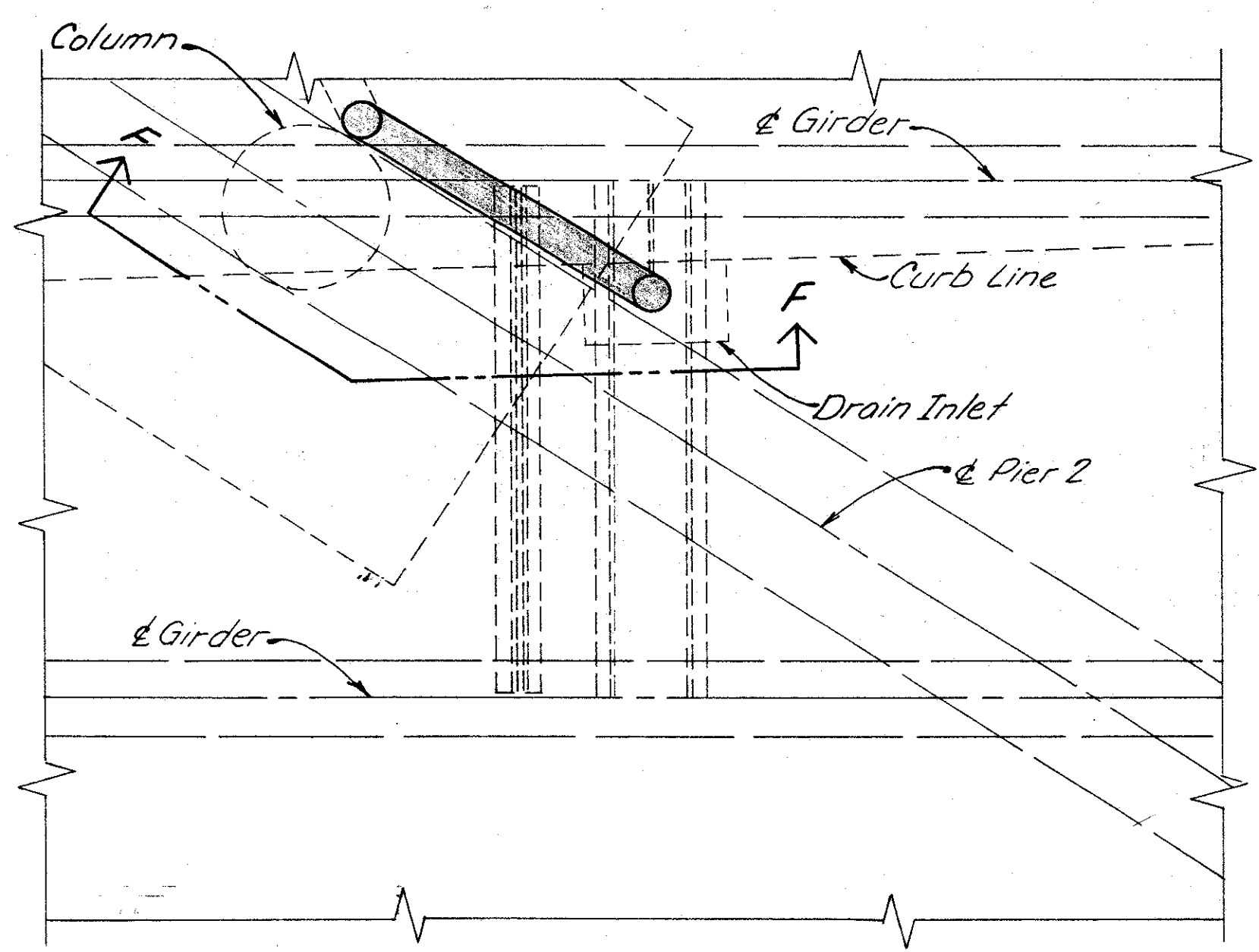




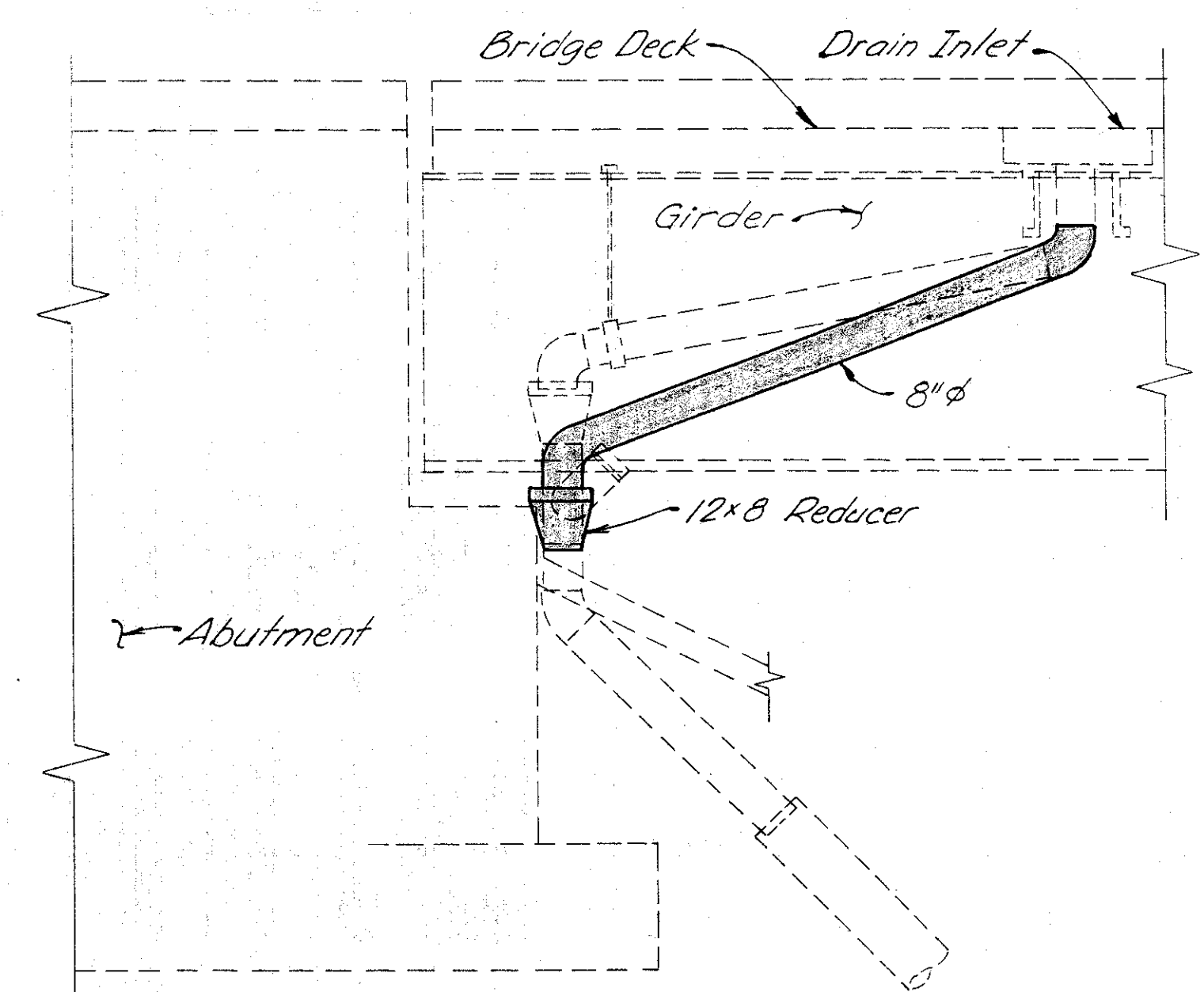
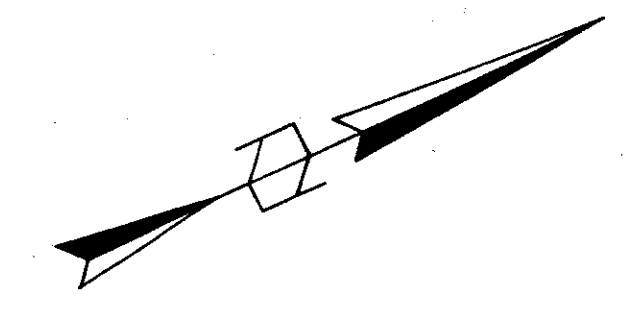
**PLAN FOR DRAIN INLET AT S. ABUT. OF NORTH BOUND ROADWAY**



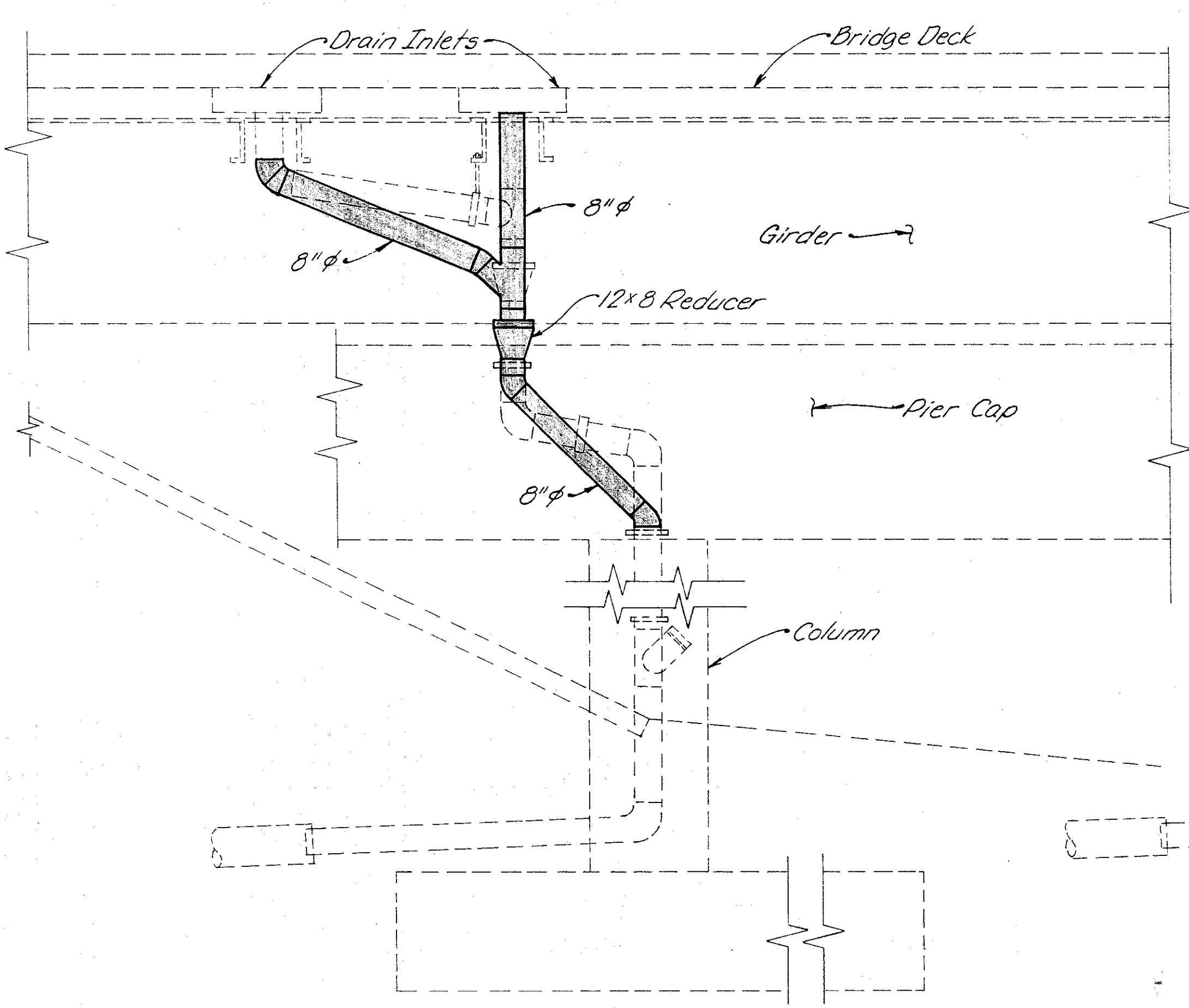
**PLAN FOR DRAIN INLET AT PIER NO. 1 OF NORTH BOUND ROADWAY**



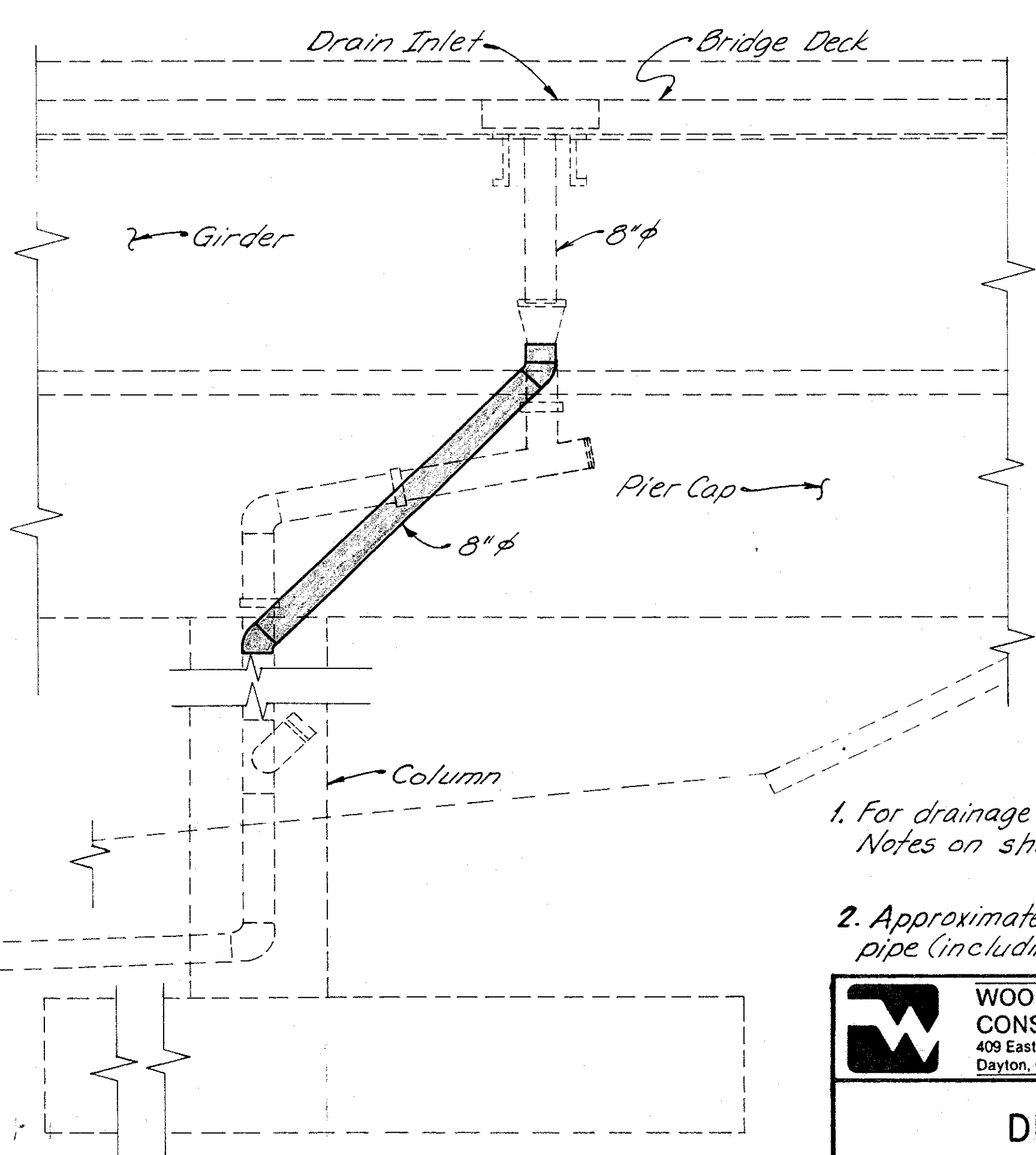
**PLAN FOR DRAIN INLET AT PIER NO. 2 OF NORTH BOUND ROADWAY**



**SECTION D-D**



**SECTION E-E**



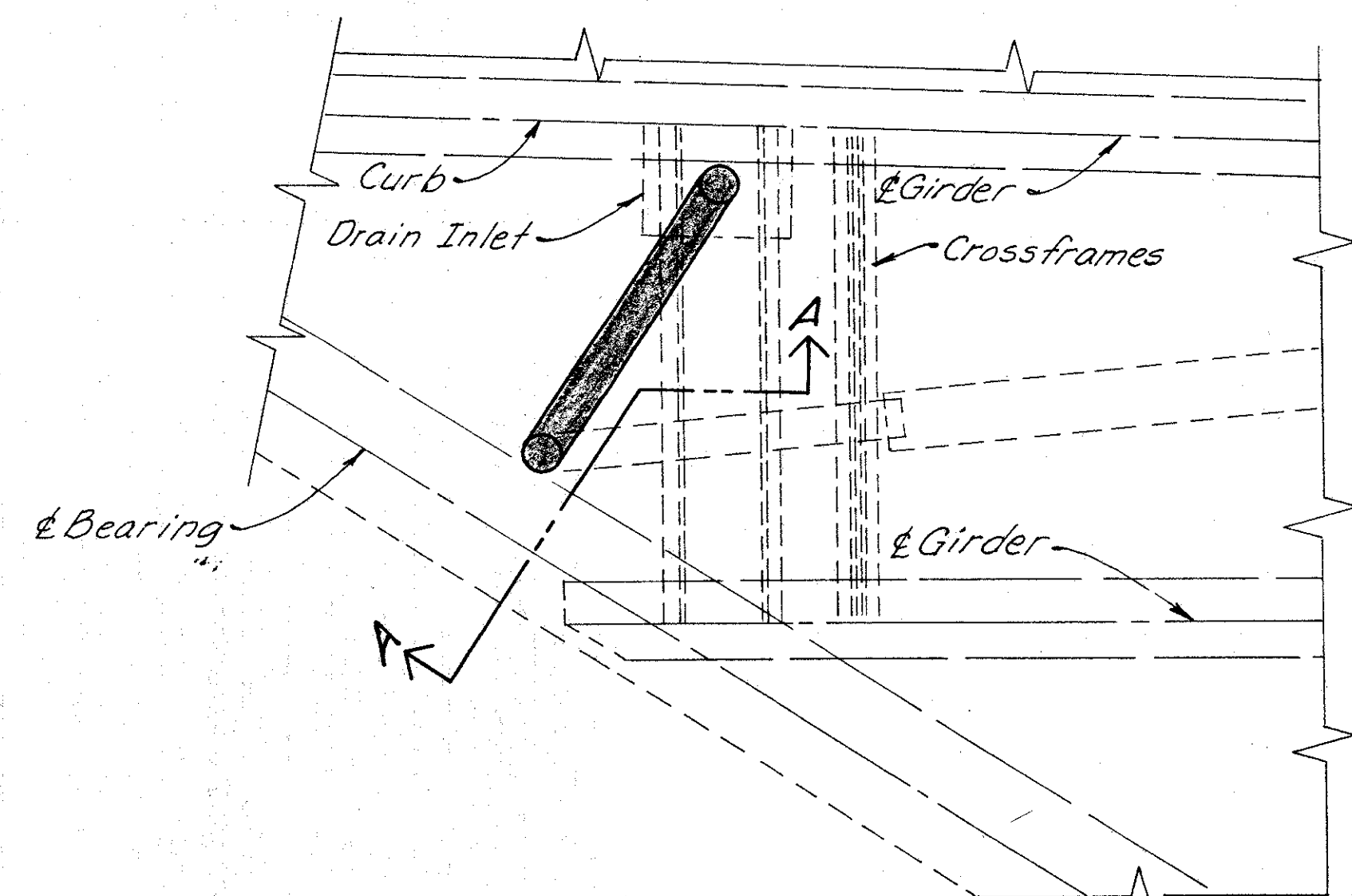
**SECTION F-F**

1. For drainage piping requirements see General Notes on sheet 272
2. Approximate No of Linear Feet of proposed 8" pipe (including specials) = 75'

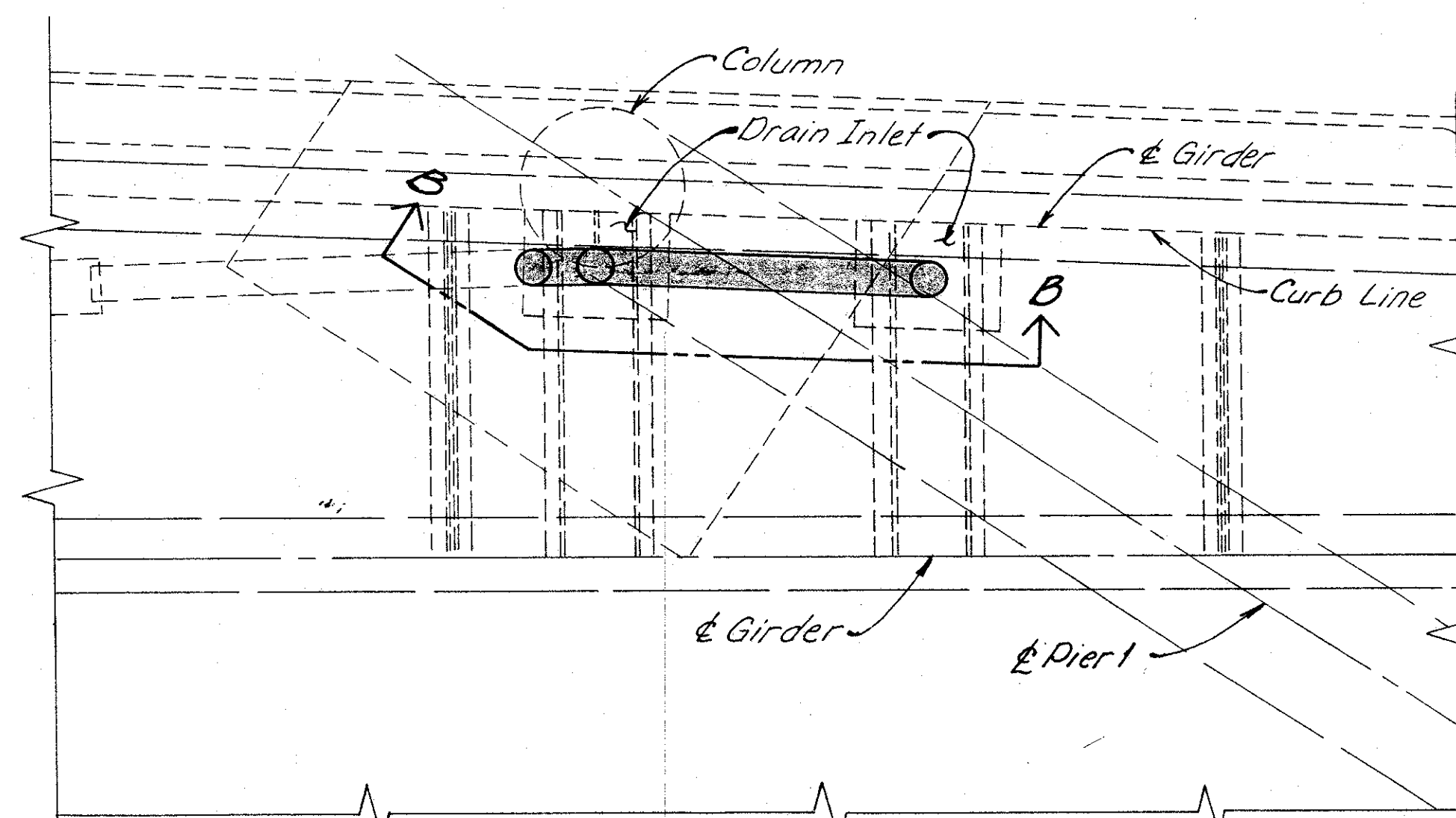
**WOOLPERT CONSULTANTS**  
409 East Monument Avenue  
Dayton, Ohio 45402-1226

**DRAINAGE DETAILS**  
BRIDGE NO. HAM-71-0192 L/R  
OVER RAMP GD  
HAMILTON COUNTY

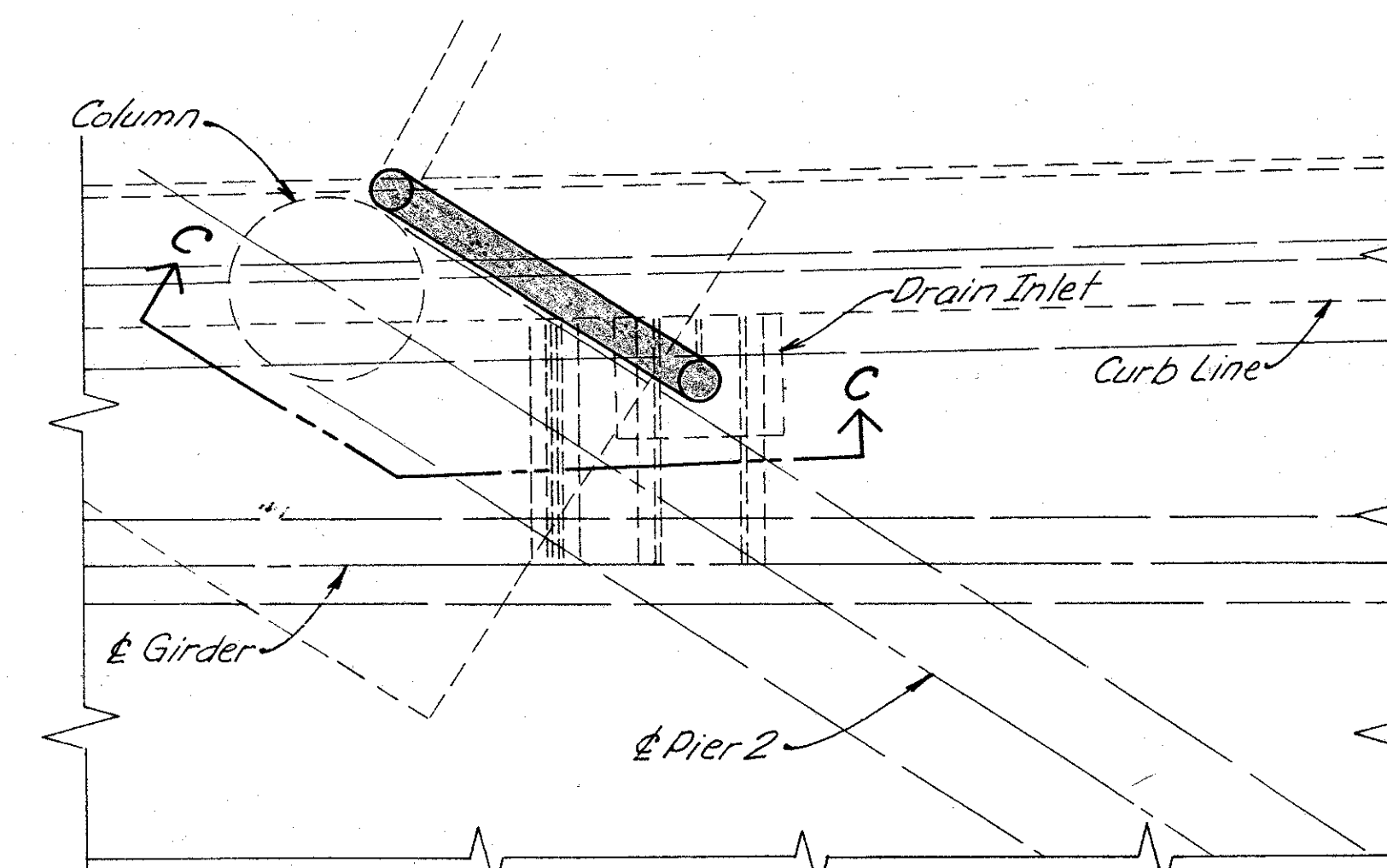
DESIGNED	DRAWN	TRACED	CHECKED	REVIEWED	DATE	REVISED
D.E.M.	L.A.P.		D.E.M.	P.W.G.	11/11/94	



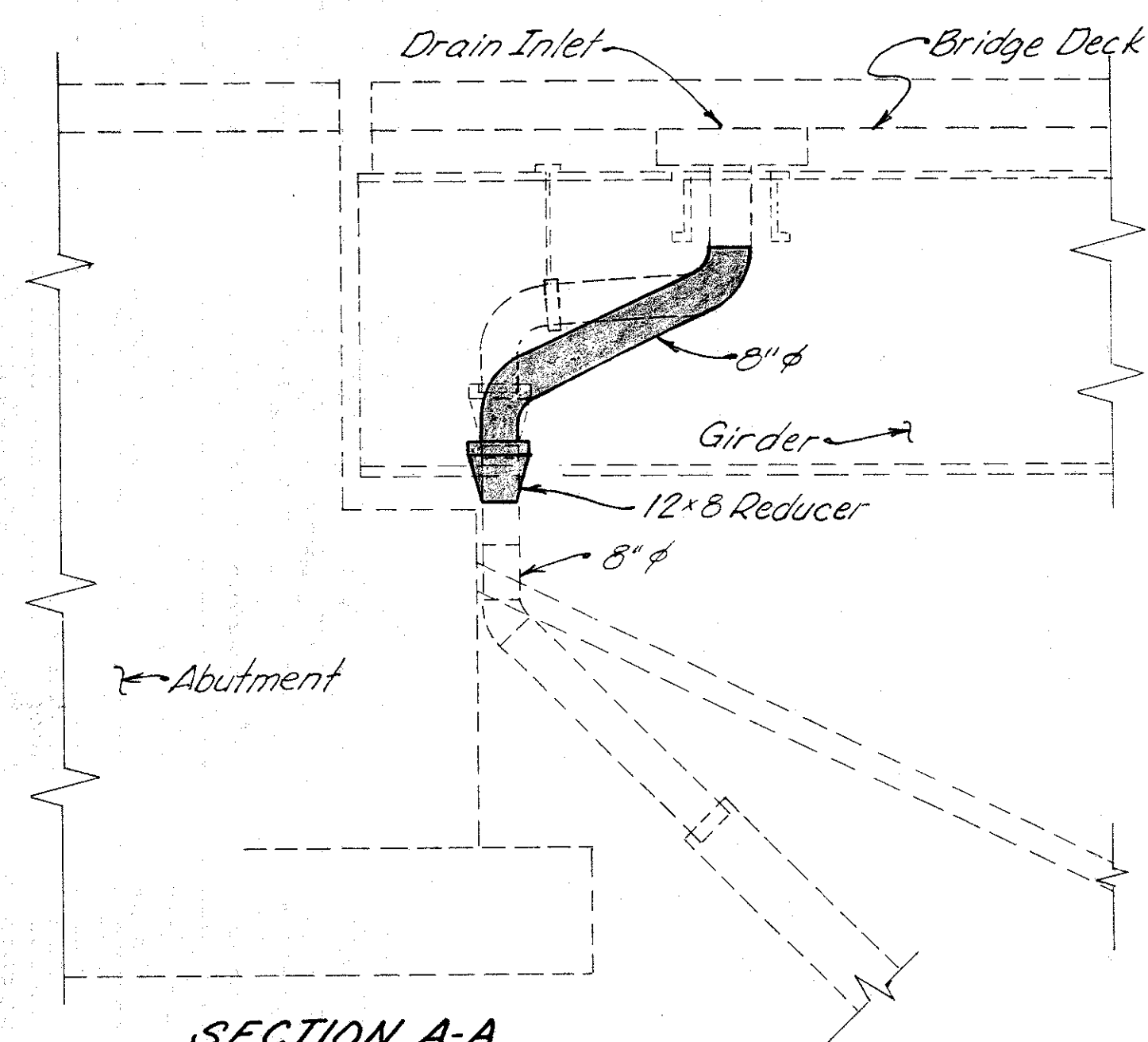
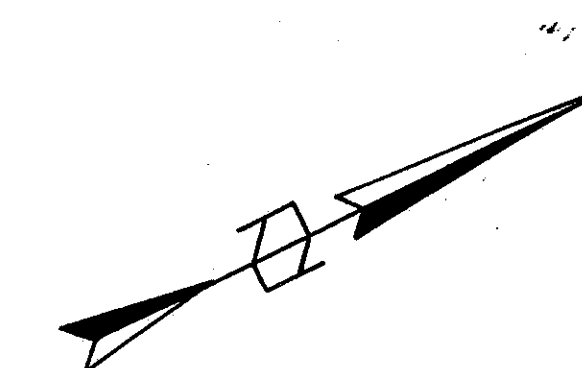
PLAN FOR DRAIN INLET AT S. ABUT. OF SOUTH BOUND ROADWAY



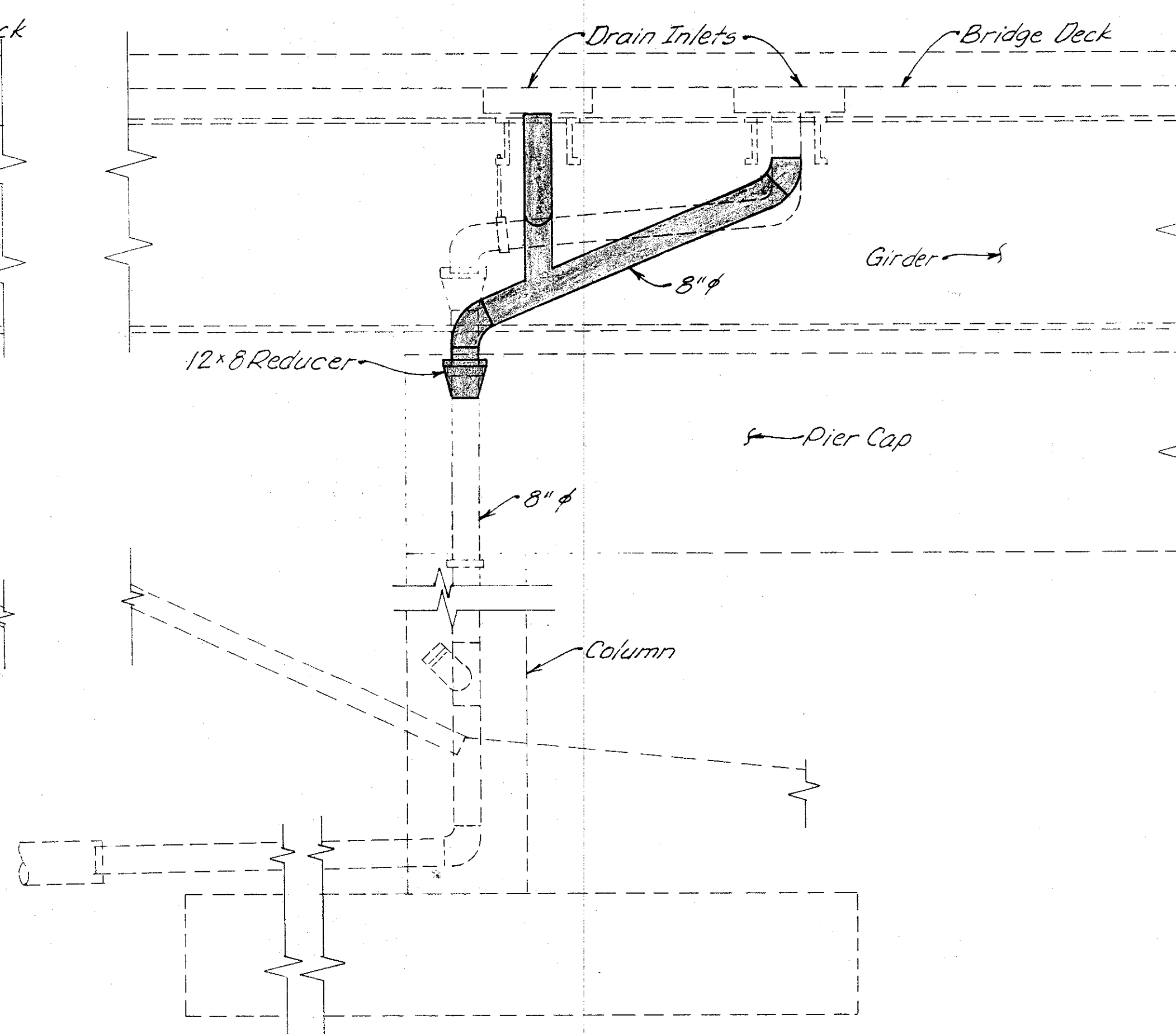
PLAN FOR DRAIN INLET AT PIER NO. 1 OF SOUTH BOUND ROADWAY



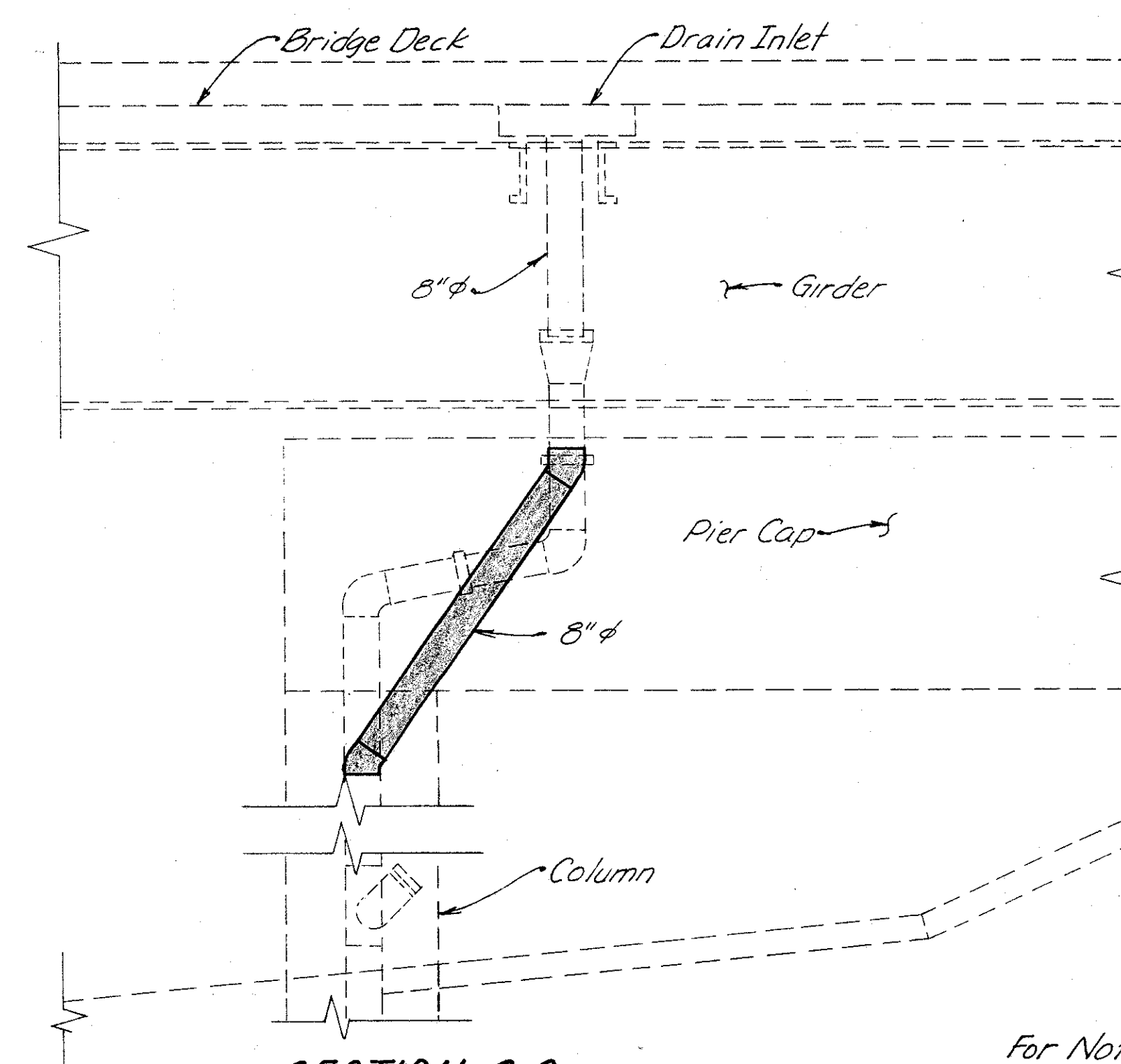
PLAN FOR DRAIN INLET AT PIER NO. 2 OF SOUTH BOUND ROADWAY



SECTION A-A



SECTION B-B

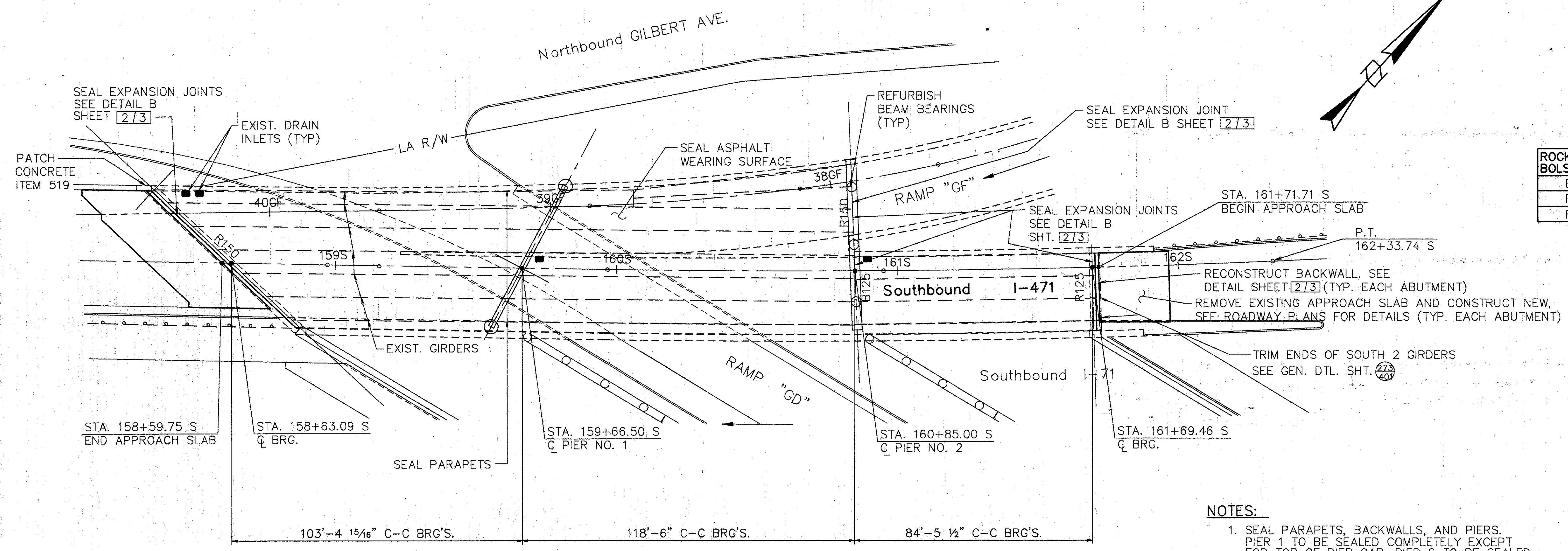


SECTION C-C

For Notes see sht. 303/401

		WOOLPERT CONSULTANTS 409 East Monument Avenue Dayton, Ohio 45402-1226		9 / 9	
<b>DRAINAGE DETAILS</b>					
BRIDGE NO. HAM-71-0192 L/R OVER RAMP GD					
HAMILTON COUNTY					
DESIGNED	DRAWN	TRACED	CHECKED	REVIEWED	DATE
D.E.M.	L.A.P.		D.E.M.	P.W.G.	11/11/92

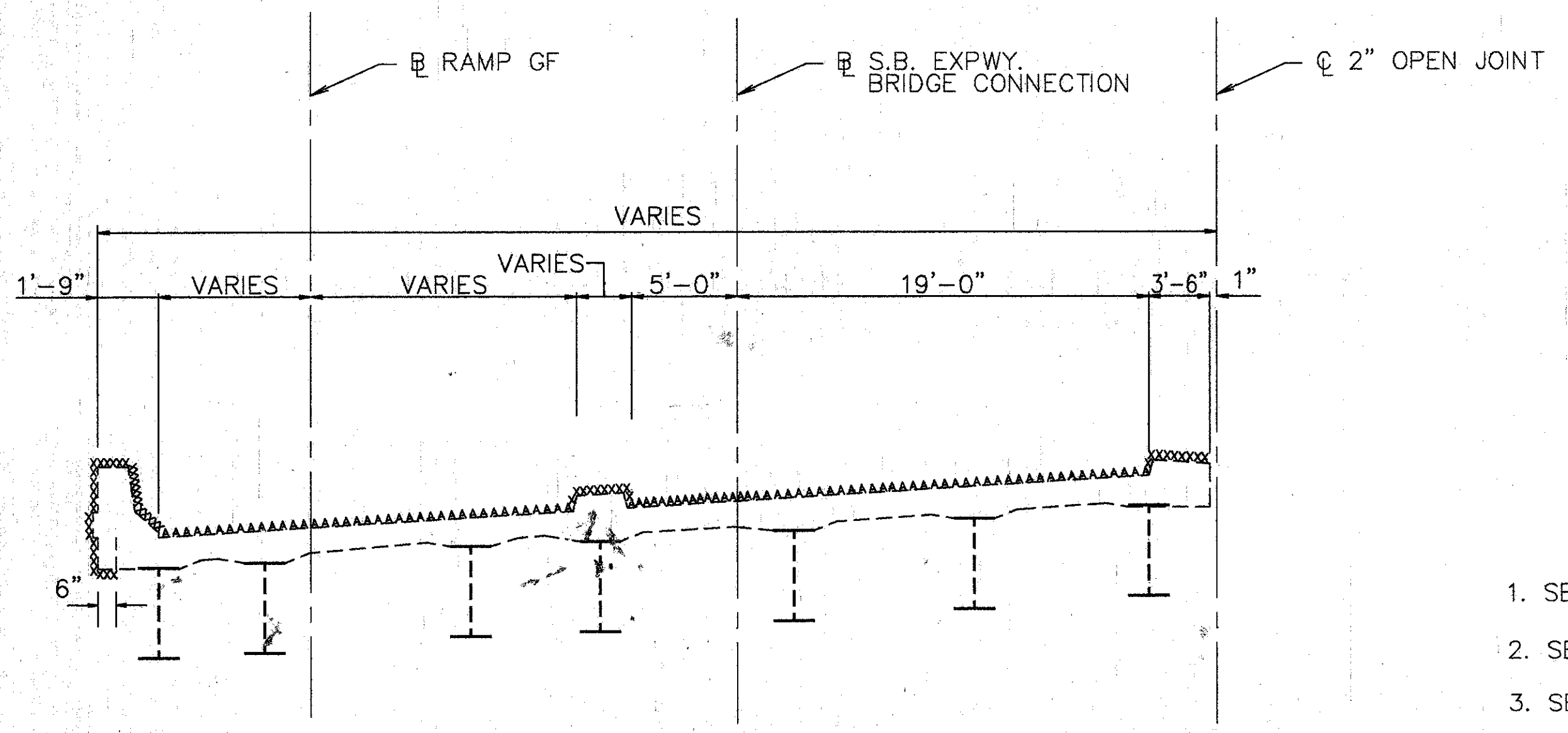




ROCKER OR BOLSTER SIZE	JACK CAPACITY REQ'D. (MIN.)
B125	100 TON
R125	100 TON
R150	125 TON

- NOTES:**
1. SEAL PARAPETS, BACKWALLS, AND PIERS. PIER 1 TO BE SEALED COMPLETELY EXCEPT FOR TOP OF PIER CAP. PIER 2 TO BE SEALED EXCEPT FOR 1/4 OF THE CIRCUMFERENCE AWAY FROM THE DIRECTION OF TRAFFIC.
  2. MODIFY DRAINAGE PIPING, SEE DETAIL SHT. [3/3]

**PLAN**



**TYP. BRIDGE SECTION**

XXXX SURFACES TO BE SEALED UNDER ITEM SPECIAL, SEALING OF CONCRETE SURFACES.

AAAA SURFACES TO BE SEALED UNDER ITEM SPECIAL, WATERPROOFING, MISC.: SEALING OF ASPHALT WEARING SURFACE.

**PROPOSED WORK**

1. SEAL PARAPETS, PIERS, AND BACKWALL.
2. SEAL ASPHALT WEARING SURFACE AND EXPANSION JOINT.
3. SEAL EXP. JOINTS WITH SEALANT.
4. RECONSTRUCT BACKWALLS ABOVE APPROACH SLAB SEAT.
5. REFURBISH DRAINAGE PIPING.
6. REFURBISH ALL ABUTMENT BEARINGS AND BEARINGS ON PIER 2.
7. TRIM BEAM ENDS.
8. ONE LANE OF TRAFFIC SHALL BE MAINTAINED ON THE BRIDGE AT ALL TIMES. FOR NOTES SEE MAINTENANCE OF TRAFFIC PLANS.
9. OTHER WORK AS DESCRIBED IN THESE PLANS.

**EXISTING STRUCTURE**

TYPE: CONTINUOUS STEEL GIRDER (SPAN 1 & 2) SIMPLE SPAN STEEL GIRDER (SPAN 3) WITH REINFORCED CONCRETE DECK & SUBSTRUCTURE

SPANS: 103.41', 118.50', & 84.46' C/C BRGS.

ROADWAY: VARIES, SEE PLAN

SKEW: VARIES, SEE PLAN

LOADING FREQUENCY: HS 20-44 AND THE INTERSTATE ALTERNATE LOADING

WEARING SURFACE: 1 1/2" ASPHALT CONCRETE

APPROACH SLABS: AS-1-67 (25'-0" LONG)

ALIGNMENT: VARIES, SEE PLAN

SUPERELEVATION: VARIES, SEE PLAN

---

**WOOLPERT CONSULTANTS**  
 409 E. MONUMENT AVENUE  
 DAYTON, OHIO 45402-1226  
 (513) 461-5660

1/3

---

**GENERAL PLAN**

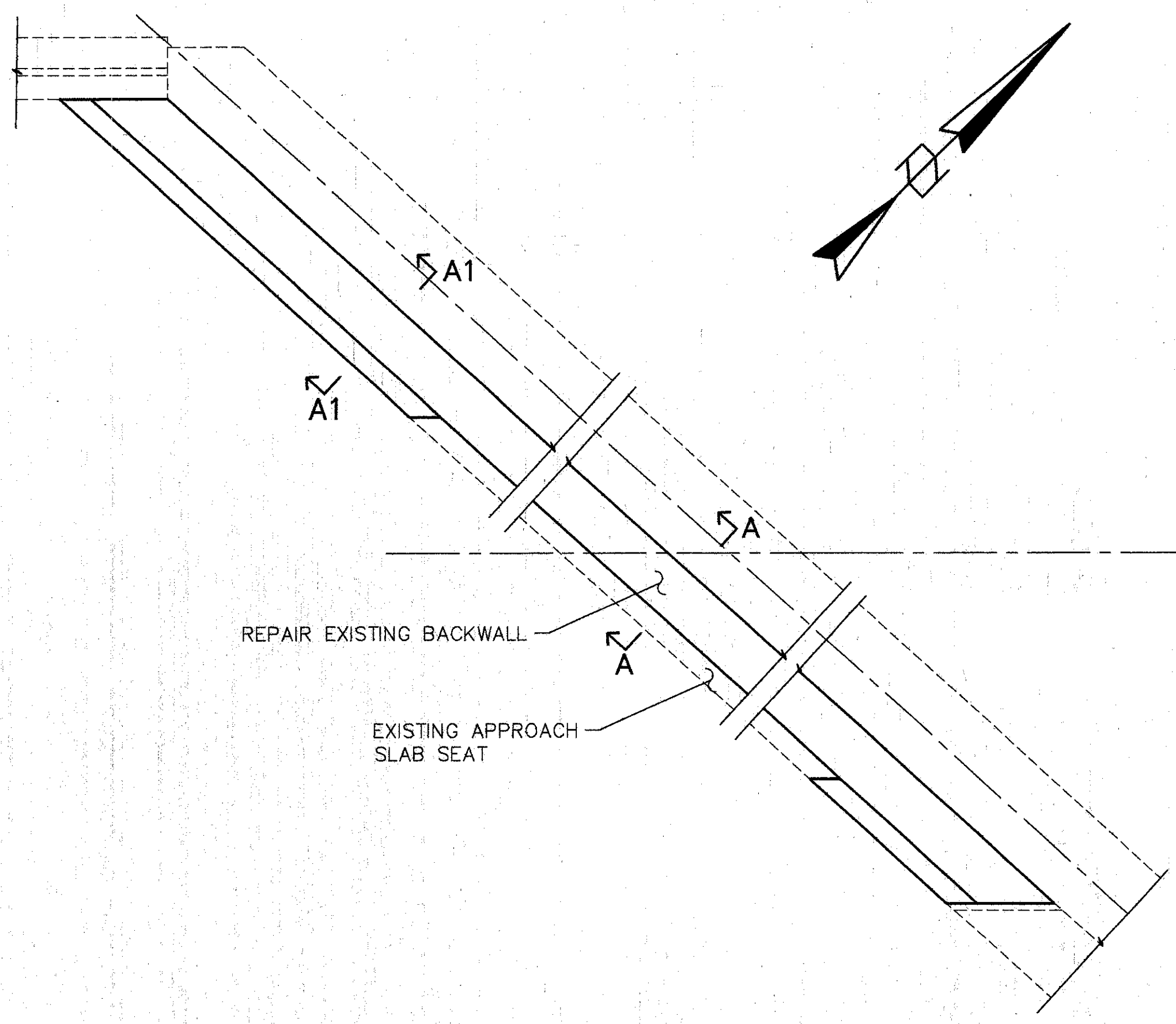
BRIDGE NO. HAM-71-0192W  
 BRIDGE CONNECTION & RAMP OVER RAMP "GD"  
 HAMILTON COUNTY

DESIGNED	DRAWN	TRACED	CHECKED	REVIEWED	DATE	REVISED
L.A.T.M.	D.E.E.		M.A.A.	D.E.M11/11/94		

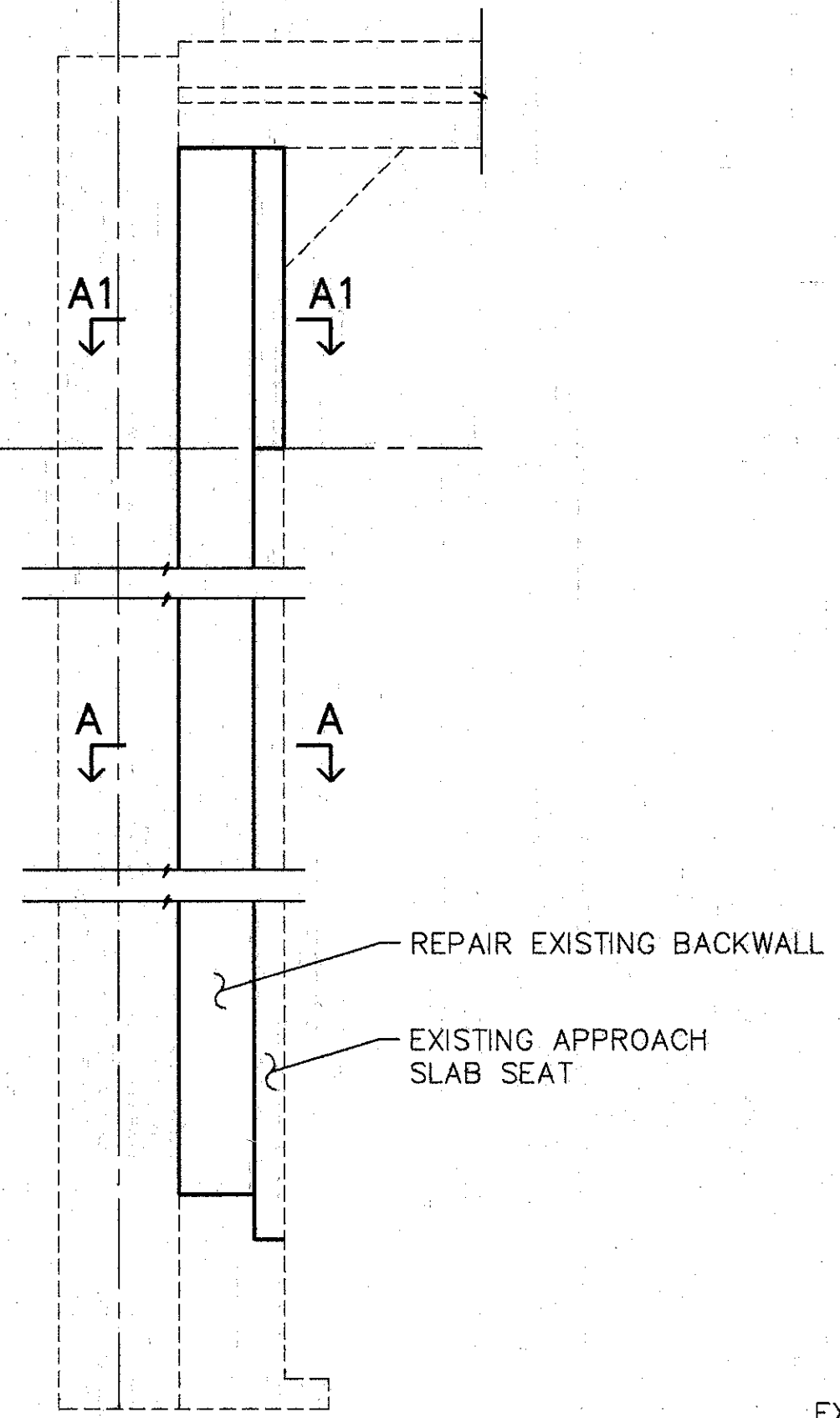
Last Plot: MAY 13, 1995 @ 4:29 PM  
 G:\STRA\16094-03\ASB AND 71-0192W Last Revision By: BACH MAR 7, 1994 @ 1:46 PM

ITEM	ITEM EXT.	TOTAL	UNITS	DESCRIPTION
509	15820	741	LBS.	EPOXY COATED REINFORCING STEEL, GRADE 60
510	12201	71	L.F.	DOWEL HOLES AS PER PLAN.
514	27704	LUMP	L.S.	FIELD PAINTING EXISTING STEEL, EEU *
511	45700	6	C.Y.	CLASS C CONCRETE (RECONSTRUCTION) ABUTMENT
SPECIAL	51267200	1384	S.Y.	WATERPROOFING, MISC: SEALING ASPHALT WEARING SURFACE
SPECIAL	51267500	508	S.Y.	SEALING OF CONCRETE SURFACE *
SPECIAL	51267502	136	S.Y.	SEALING OF CONCRETE SURFACE (EPOXY) *
513	21000	4	EACH	TRIMMING OF BEAM END
516	14600	50	L.F.	STRUCTURAL JOINT OR JOINT SEALER, MISC.: 2"x4" SEALER, AS PER PLAN
516	31000	139	L.F.	JOINT SEALER, 705.04
516	45304	19	EACH	REFURBISH BEARING DEVICE
518	63300	LUMP SUM	L.S.	STRUCTURE DRAINAGE, MISC: MODIFY DRAINAGE PIPING
519	11100	4	S.F.	PATCHING CONCRETE STRUCTURES
516	14600	80	L.F.	SEAL JOINT BETWEEN ABUTMENT AND CONCRETE SLOPE PROTECTION
518	63300	LUMP	L.S.	SCUPPER AND DRAINAGE PIPE CLEANOUT
601	21100	3	S.Y.	REPAIR CONCRETE SLOPE PROTECTION

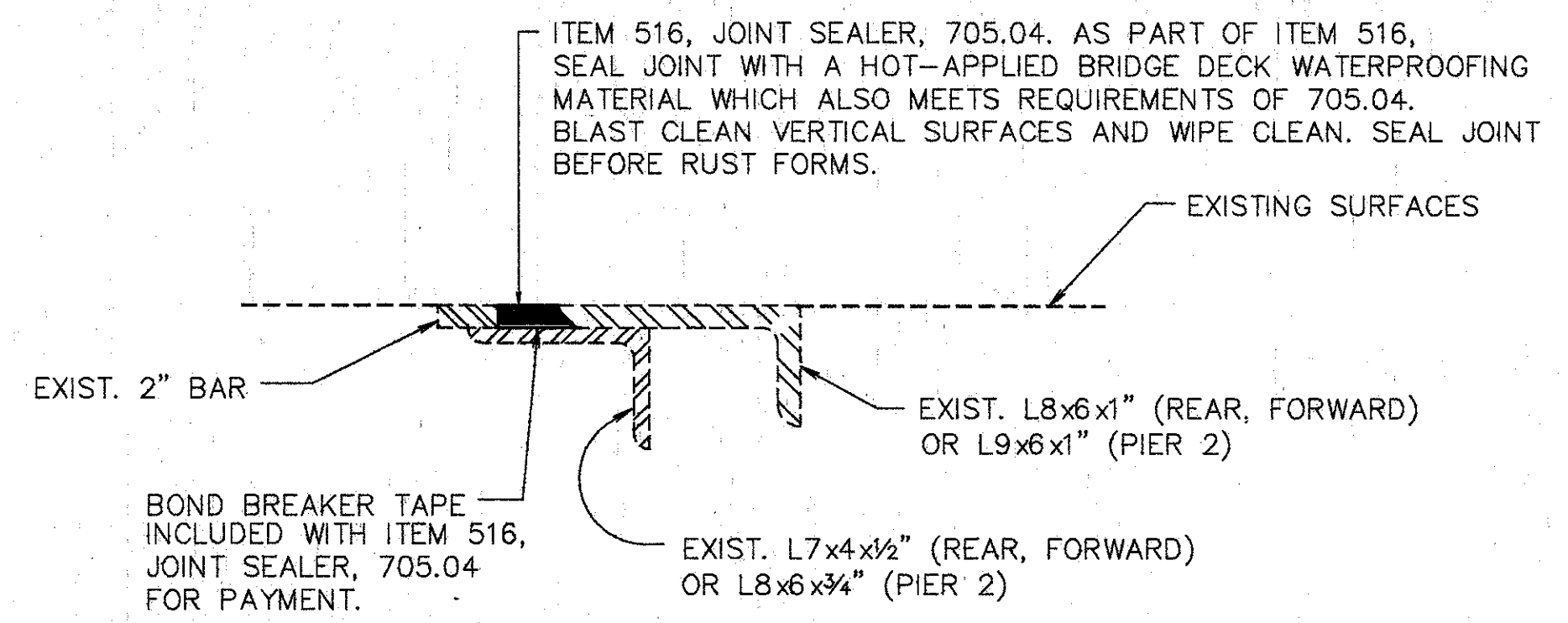
\* SEE PROPOSAL NOTE



FORWARD ABUTMENT

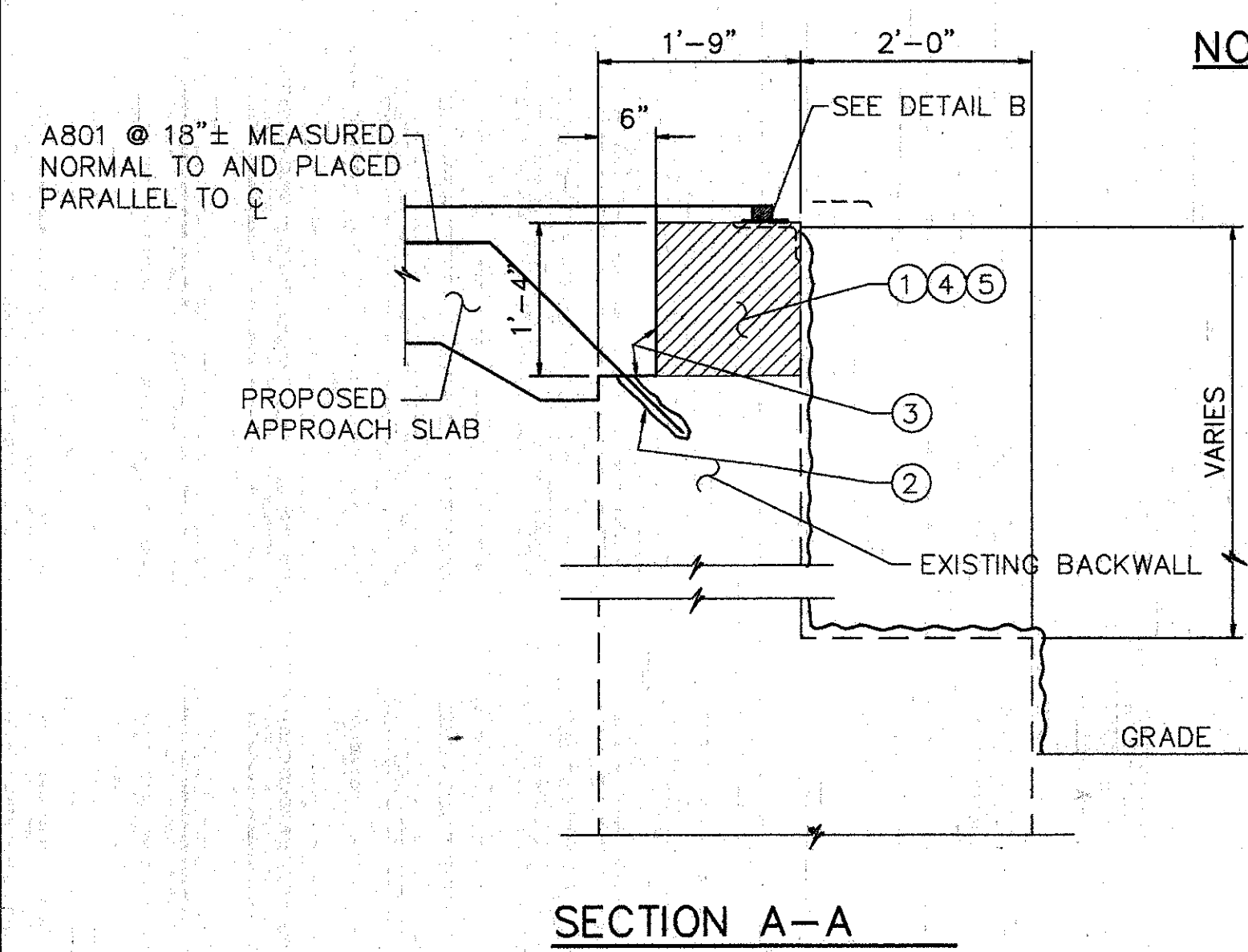


REAR ABUTMENT



DETAIL B

REINFORCING STEEL LIST				
MARK	SHAPE	NUMBER	LENGTH	WEIGHT
A501	STR.	1	7'-6"	8
A502	STR.	1	8'-0"	8
A503	STR.	1	14'-6"	15
A601	BNT.	24	3'-0"	108
A801	BNT.	7	4'-0"	502
REPLACEMENT STEEL				100
TOTAL				741

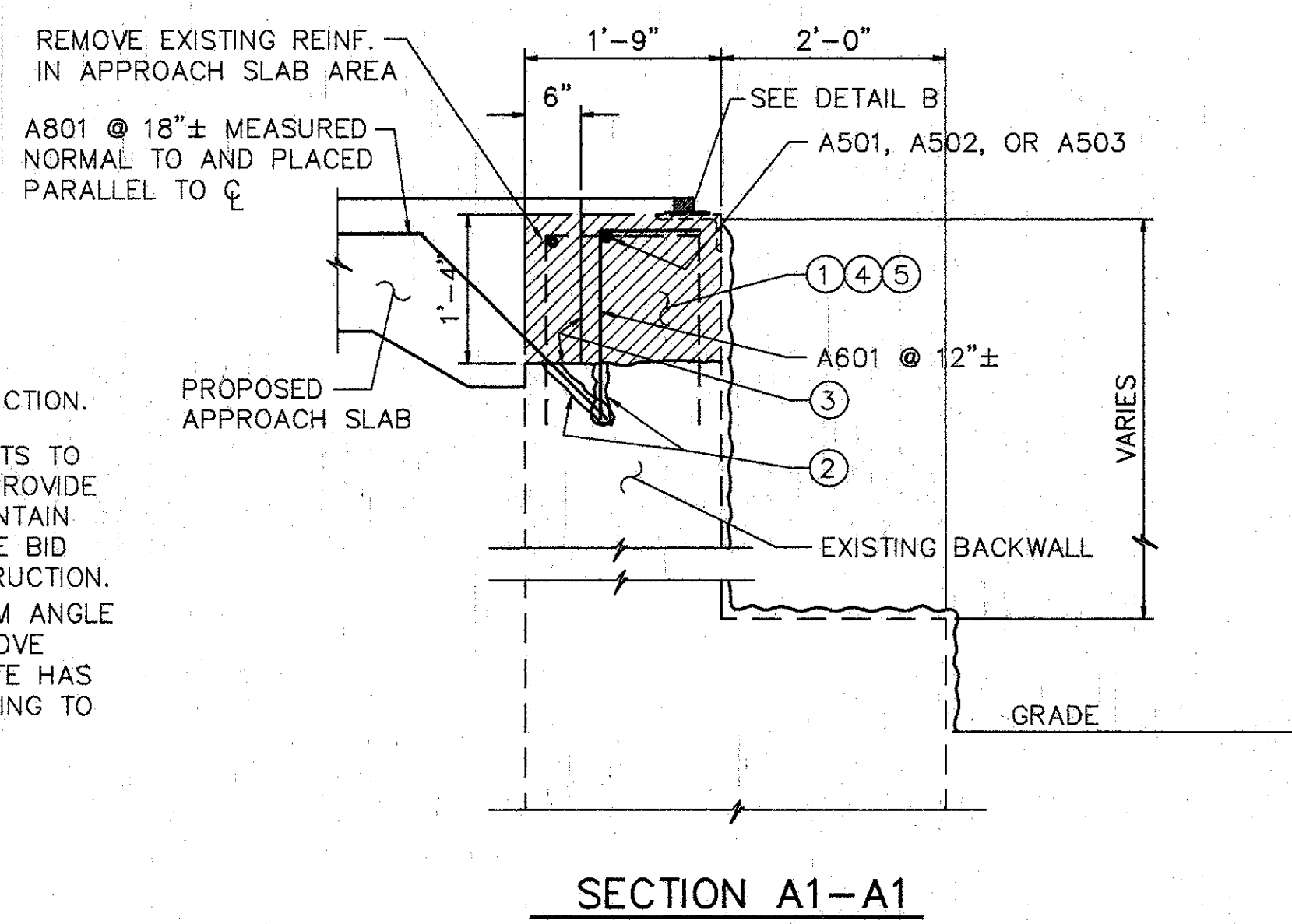


SECTION A-A

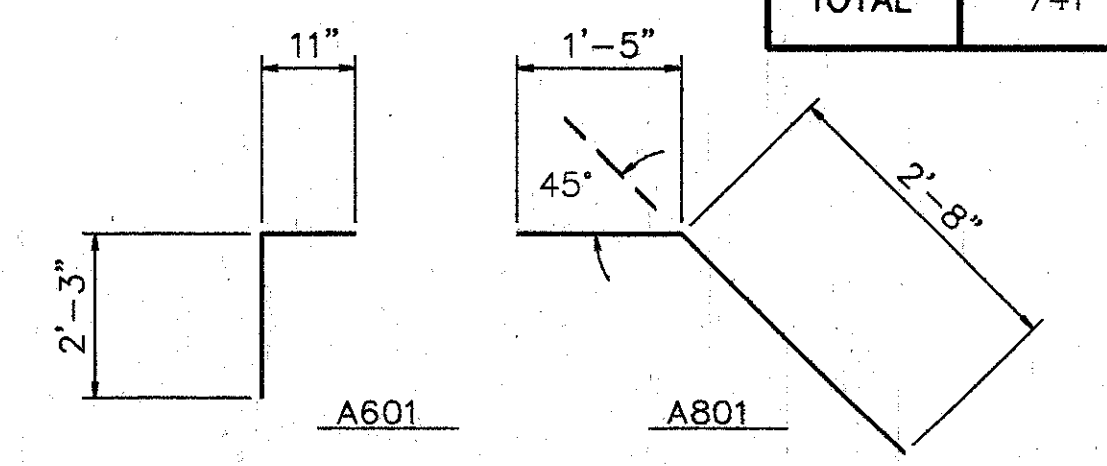
NOTES FOR SECTION A-A & A1-A1

- EXISTING REINFORCING STEEL TO REMAIN ~ REINFORCING STEEL DAMAGED TO BE REPLACED AT CONTRACTORS EXPENSE.
- 1' MIN. EMBEDMENT (SEE DOWEL HOLE GENERAL NOTE) ITEM 510.
- TYPE 'A' WATERPROOFING (PAYMENT INCLUDED IN THE PRICE BID FOR APPROACH SLAB).
- CLASS 'C' CONCRETE, ABUTMENT RECONSTRUCTION.
- PROVIDE CONTRACTION AND EXPANSION JOINTS TO MATCH THOSE IN EXISTING BACKWALL AND PROVIDE CONSTRUCTION JOINTS AS REQUIRED TO MAINTAIN TRAFFIC. PAYMENT TO BE INCLUDED IN PRICE BID FOR ITEM 511 CLASS C CONCRETE RECONSTRUCTION.
- PROVIDE TEMPORARY SUPPORT FOR END DAM ANGLE AT ABUTMENT DURING CONSTRUCTION. REMOVE TEMPORARY SUPPORT AS SOON AS CONCRETE HAS SET, PREFERABLY WITHIN 2HRS. AFTER PLACING TO TO AVOID DAMAGE DUE TO EXPANSION AND CONTRACTION OF SUPERSTRUCTURE.

EXISTING CONCRETE TO BE REMOVED INCLUDE IN ITEM 202 FOR PAYMENT.  
 SURFACE TO BE SEALED UNDER ITEM SPECIAL- 'SEALING OF CONCRETE SURFACE, EPOXY'.



SECTION A1-A1



**WOOLPERT CONSULTANTS**  
 409 E. MONUMENT AVENUE  
 DAYTON, OHIO 45402-1226  
 (513) 461-5660

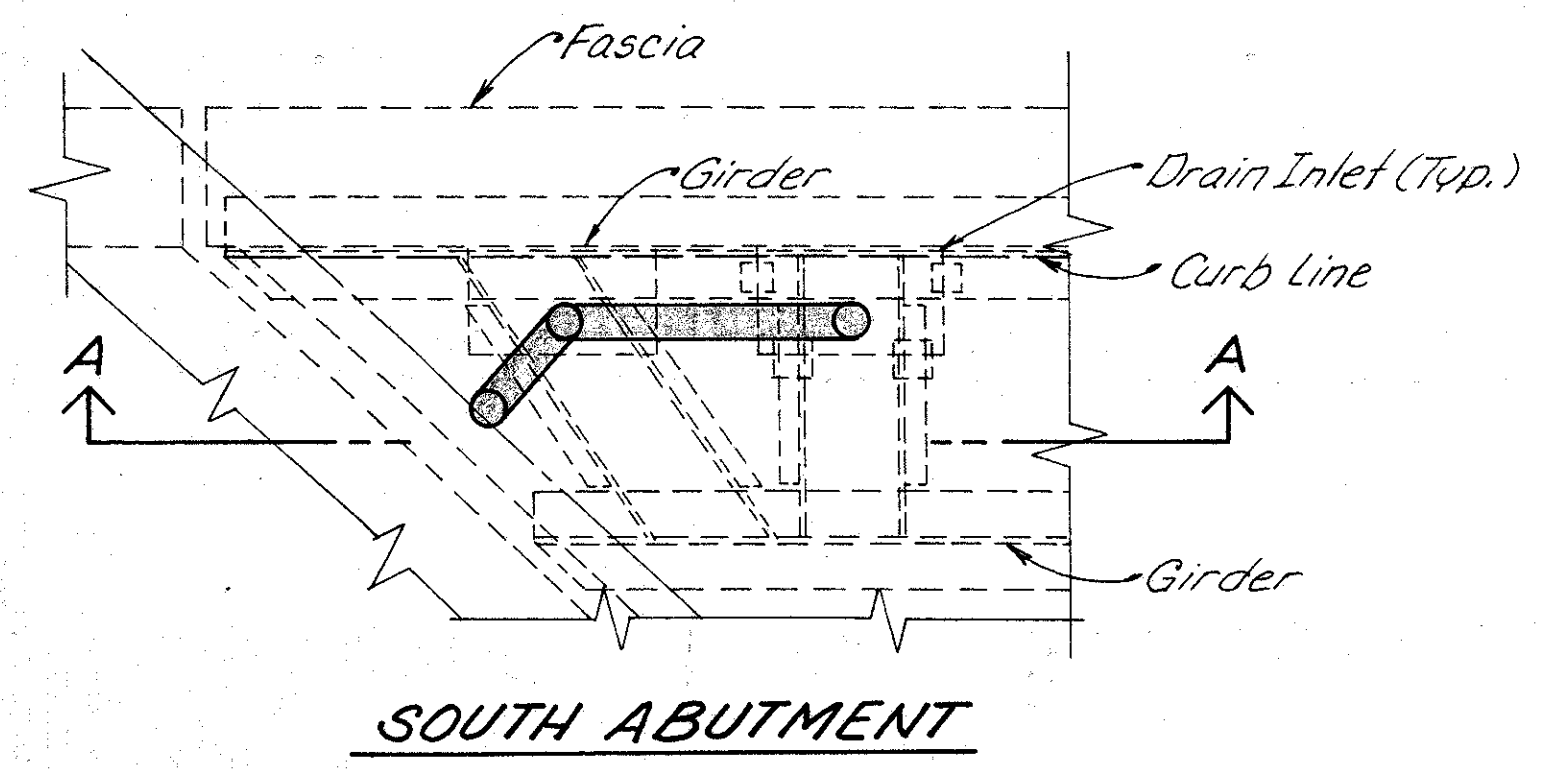
MISCELLANEOUS DETAILS

BRIDGE NO. HAM-71-0192W  
 BRIDGE CONNECTION & RAMP OVER RAMP 'GD'  
 HAMILTON COUNTY

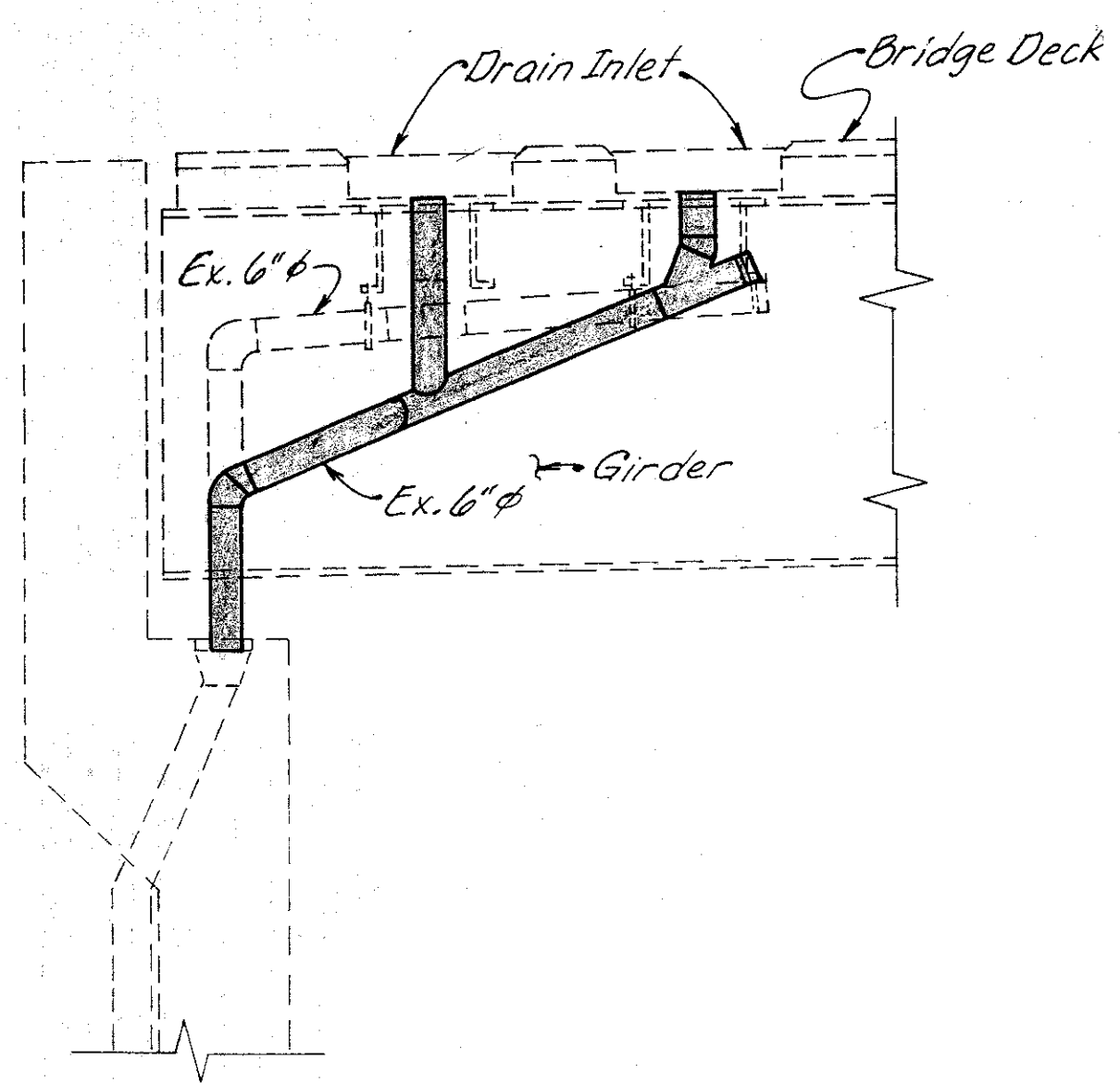
DESIGNED	DRAWN	TRACED	CHECKED	REVIEWED	DATE	REVISED
L.A.T.M.	D.E.E.		M.A.A.	D.E.M11/11/94		

Last Print MAY 15, 1991 @ 4:50 PM  
 G:\STRV\6586-00\STRV\AND\0192W\DET.Loc1 Revision B.rch MAY 18, 1994 @ 2:28 PM

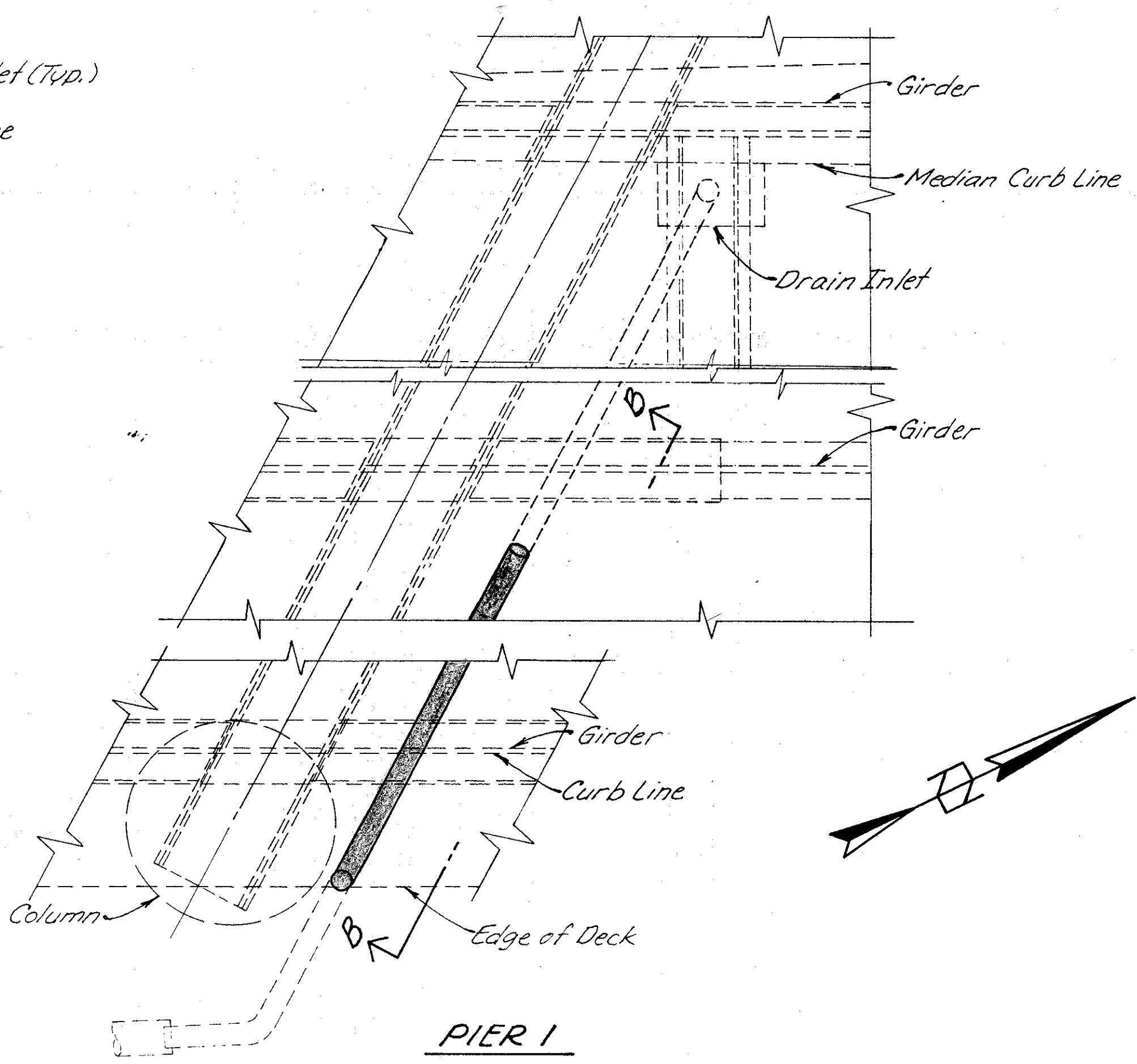




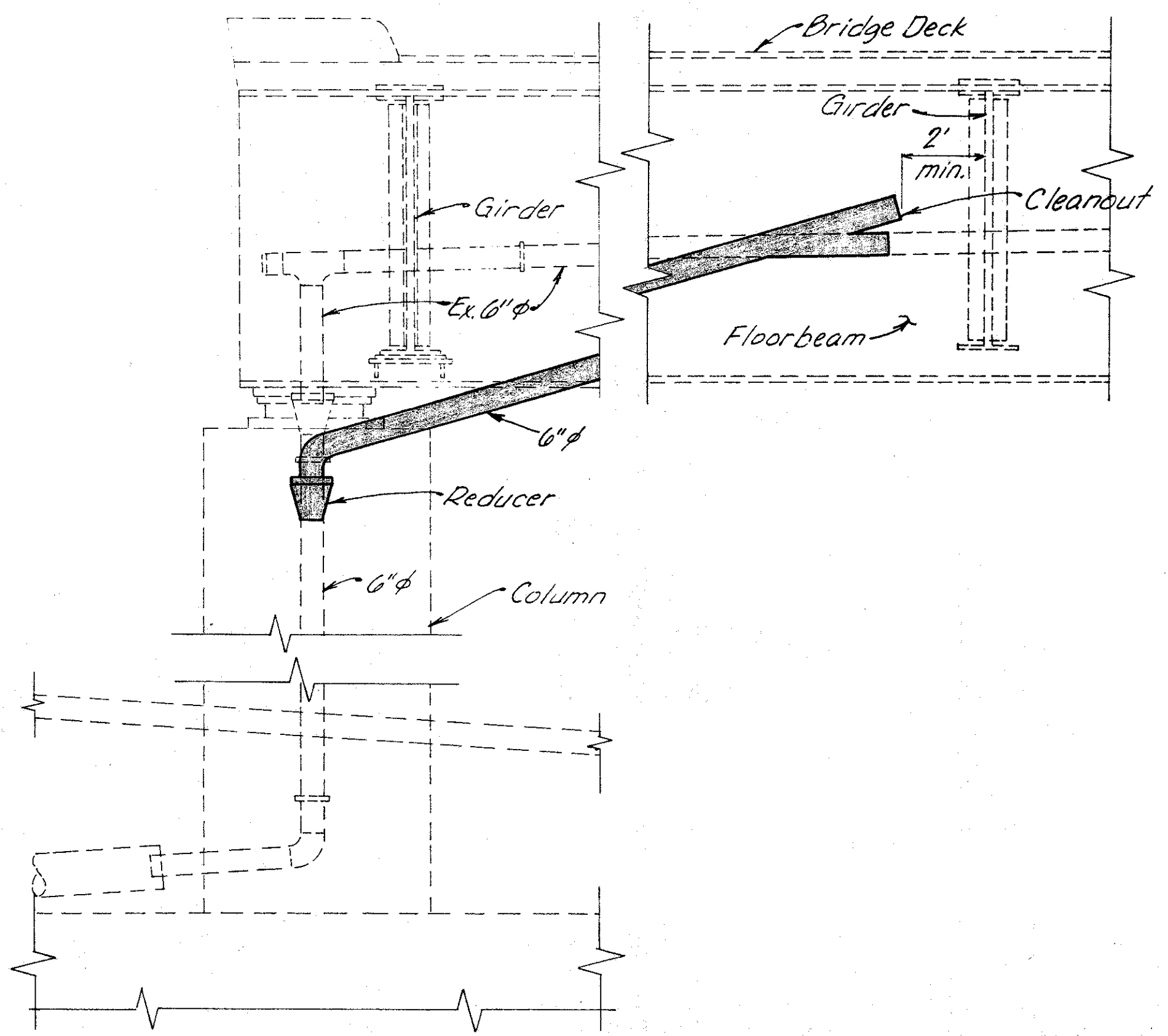
**SOUTH ABUTMENT**



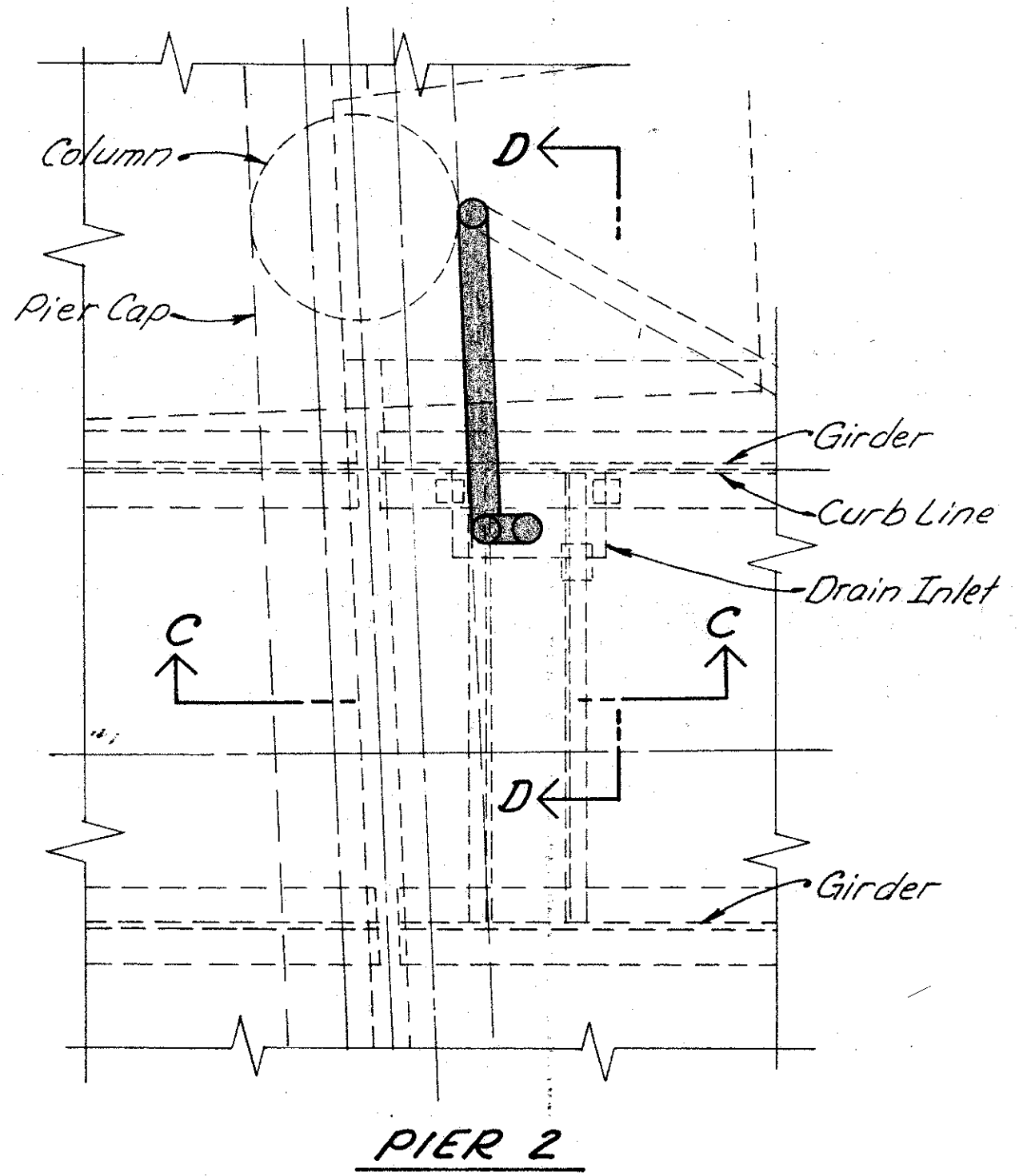
**SECTION A-A**



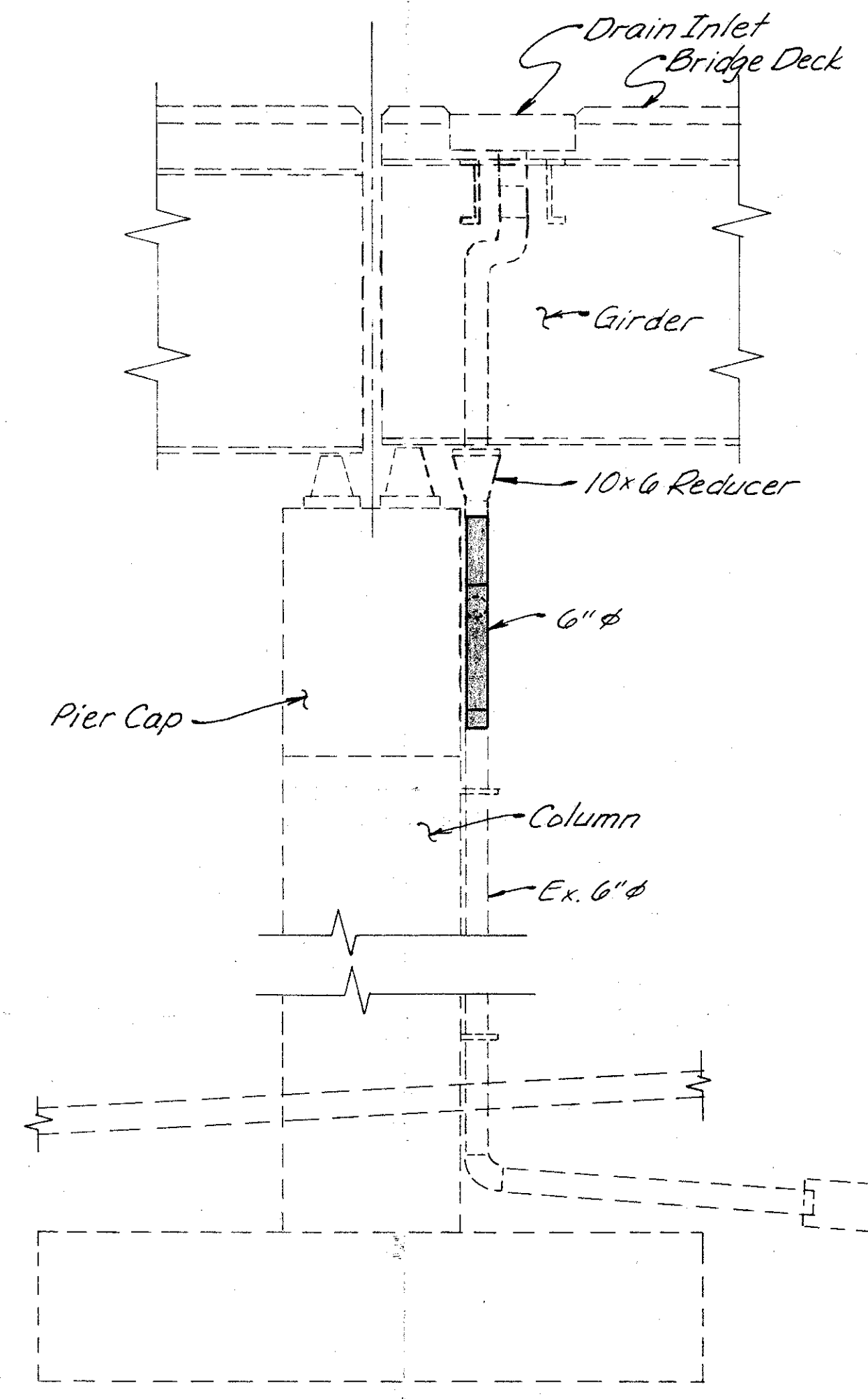
**PIER 1**



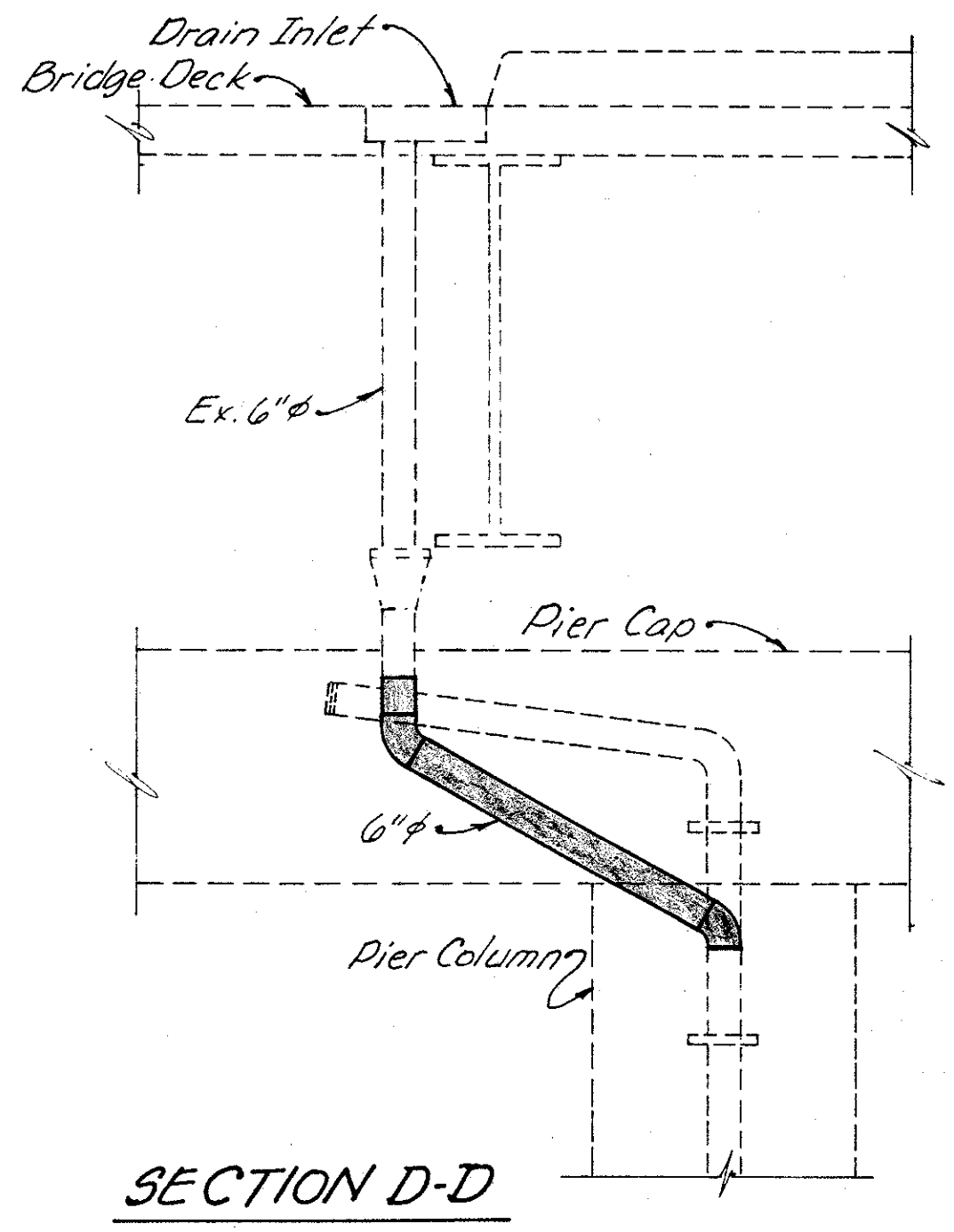
**SECTION B-B**



**PIER 2**



**SECTION C-C**



**SECTION D-D**

1. For drainage piping requirements see General Notes on sheet 273/401
2. Approximate No. of Linear Feet of proposed 6" φ pipe (including specials) = 60'



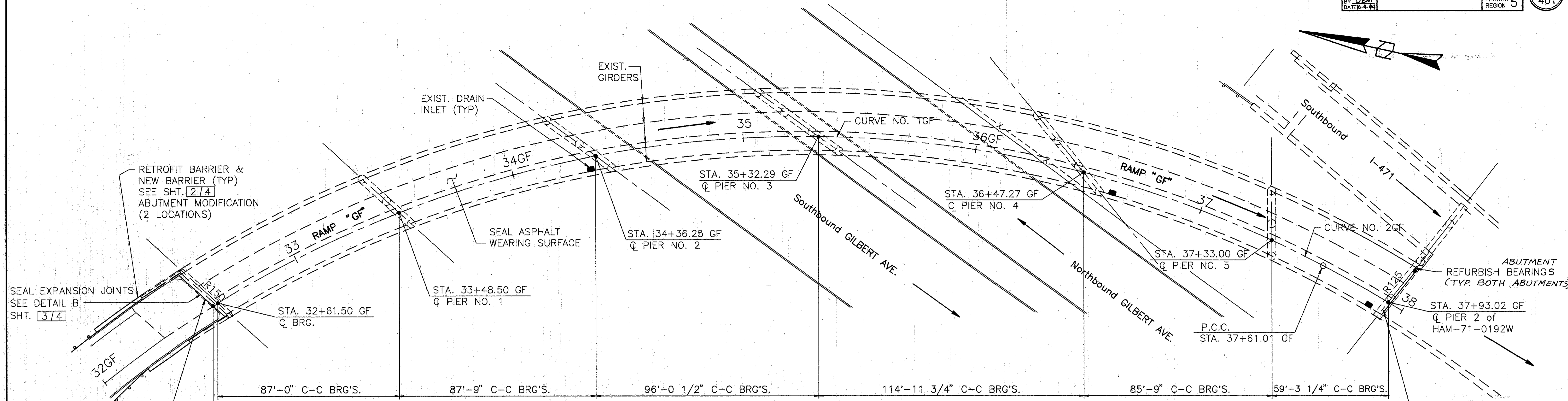
WOOLPERT  
CONSULTANTS  
409 East Monument Avenue  
Dayton, Ohio 45402-1226

**DRAINAGE DETAILS**

BRIDGE NO. HAM-71-0192 W  
OVER RAMP GD

HAMILTON COUNTY

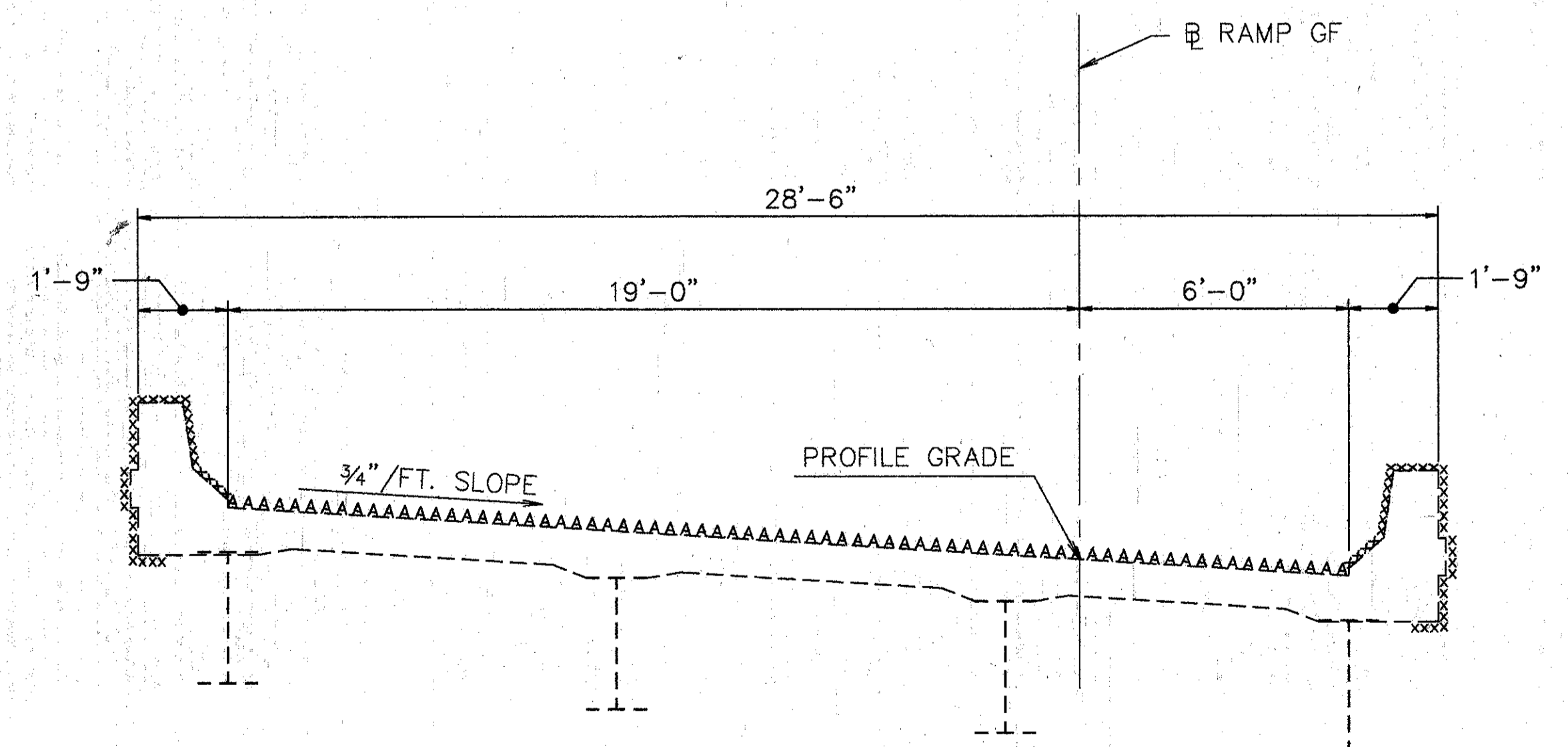
DESIGNED	DRAWN	TRACED	CHECKED	REVIEWED	DATE	REVISED
D.E.M.	L.A.P.		DEM.	P.W.G.	11/11/99	



**PLAN**

- NOTES:
1. SEAL PARAPETS, BACKWALLS, AND PIERS. SEAL ALL OF PIERS EXCEPT T/PIER CAP. PIER 1 NOT TO BE SEALED. SEE DETAIL A, SHT. 3/4
  2. MODIFY DRAINAGE PIPING. SEE DETAILS SHT. 4/4

ROCKER SIZE	JACK CAPACITY REQ'D. (MIN.)
R150	125 TON
R125	100 TON



**TYP. BRIDGE SECTION**

- XXXX SURFACES TO BE SEALED UNDER ITEM SPECIAL-SEALING OF CONCRETE SURFACES.
- AAAA SURFACES TO BE SEALED UNDER ITEM SPECIAL-WATERPROOFING, MISC: SEALING ASPHALT WEARING SURFACE.

**PROPOSED WORK**

1. RETROFIT BARRIER & PLACE NEW BARRIER.
2. SEAL BACKWALL, PARAPETS AND PIERS.
3. SEAL ASPHALT WEARING SURFACE.
4. SEAL EXPANSION JOINT WITH SEALANT.
5. SEAL JOINTS AS NOTED.
6. REFURBISH BEARINGS.
7. REFURBISH DRAINAGE PIPING.
8. AT LEAST ONE LANE OF TRAFFIC SHALL BE MAINTAINED ON THE BRIDGE AT ALL TIMES. FOR NOTES SEE MAINTENANCE OF TRAFFIC PLANS.
9. OTHER WORK AS DESCRIBED IN THESE PLANS.

**EXISTING STRUCTURE**

TYPE: CONTINUOUS CURVED WELDED PLATE GIRDER W/REINFORCED CONCRETE DECK AND SUBSTRUCTURE  
 SPAN: 87.00', 87.75', 96.04', 114.98', 85.73', & 59.27' (SPANS 1 THRU 6) MEASURED ALONG BASELINE  
 ROADWAY: 26.5' F/F PARAPET  
 SKEW: VARIES  
 LIVE LOADING: HS 20-44 AND THE INTERSTATE ALTERNATE LOADING  
 SURFACE COURSE: 1 1/2" ASPHALT CONCRETE  
 APPROACH SLABS: AS-1-67 (25'-0" LONG)  
 ALIGNMENT: VARIES  
 SUPERELEVATION: VARIES

**WOOLPERT CONSULTANTS**  
 409 E. MONUMENT AVENUE  
 DAYTON, OHIO 45402-1226  
 (513) 461-5660

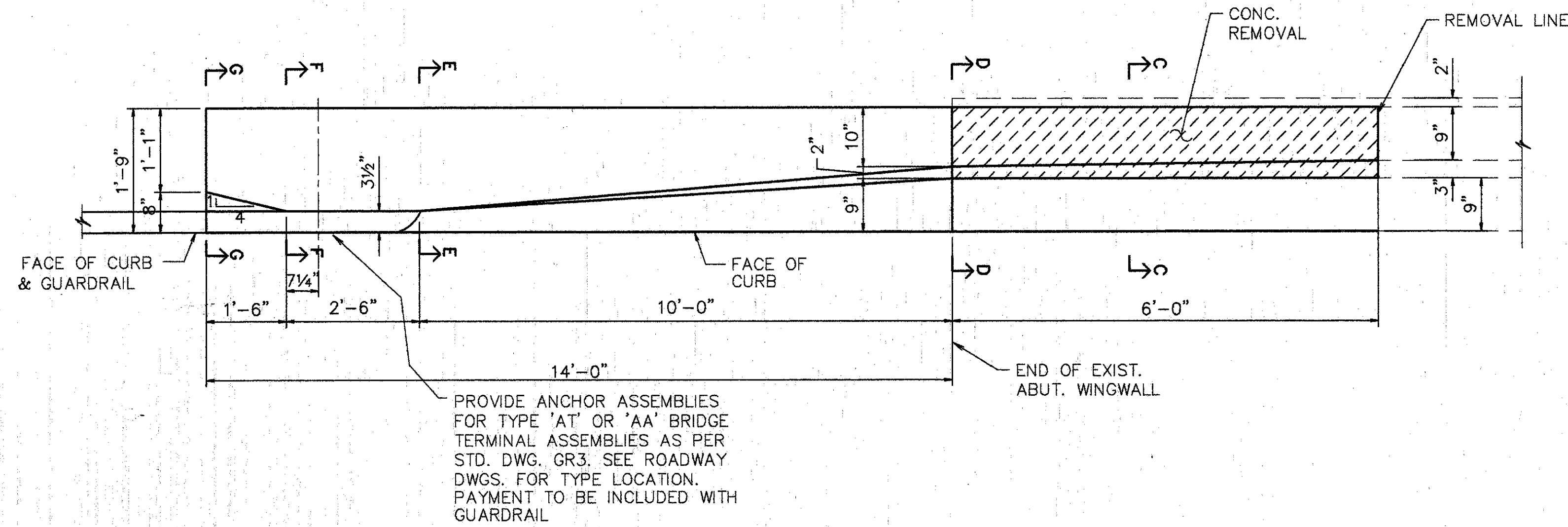
**GENERAL PLAN**

BRIDGE NO. HAM-71-0192N  
 RAMP 'GF' OVER PENN-CENTRAL RAILROAD & GILBERT AVENUE  
 HAMILTON COUNTY

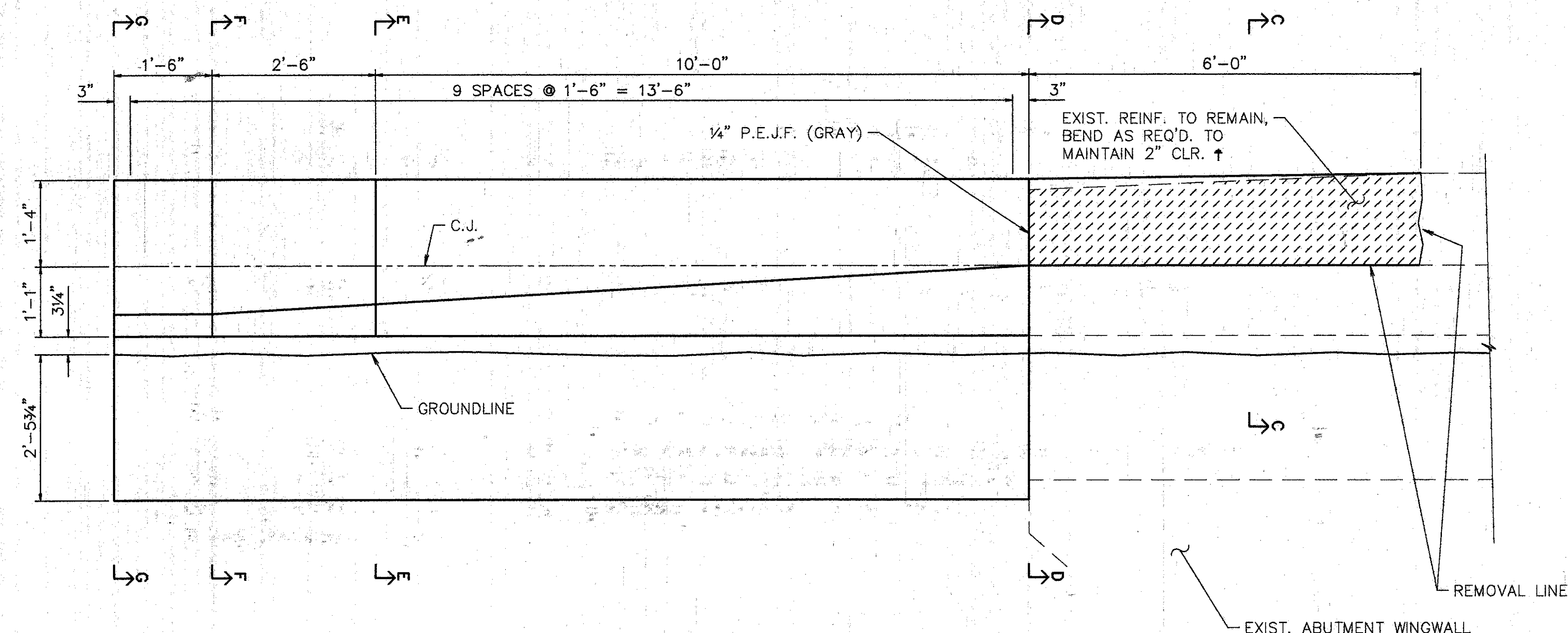
DESIGNED	DRAWN	TRACED	CHECKED	REVIEWED	DATE	REVISED
L.A.T.M.	D.E.E.		M.A.A.	D.E.E.	11/94	

L.A.T.M. 11/23/94 8:00 AM  
 D.E.E. 12/2/94 7:48 AM  
 M.A.A. 12/2/94 7:48 AM

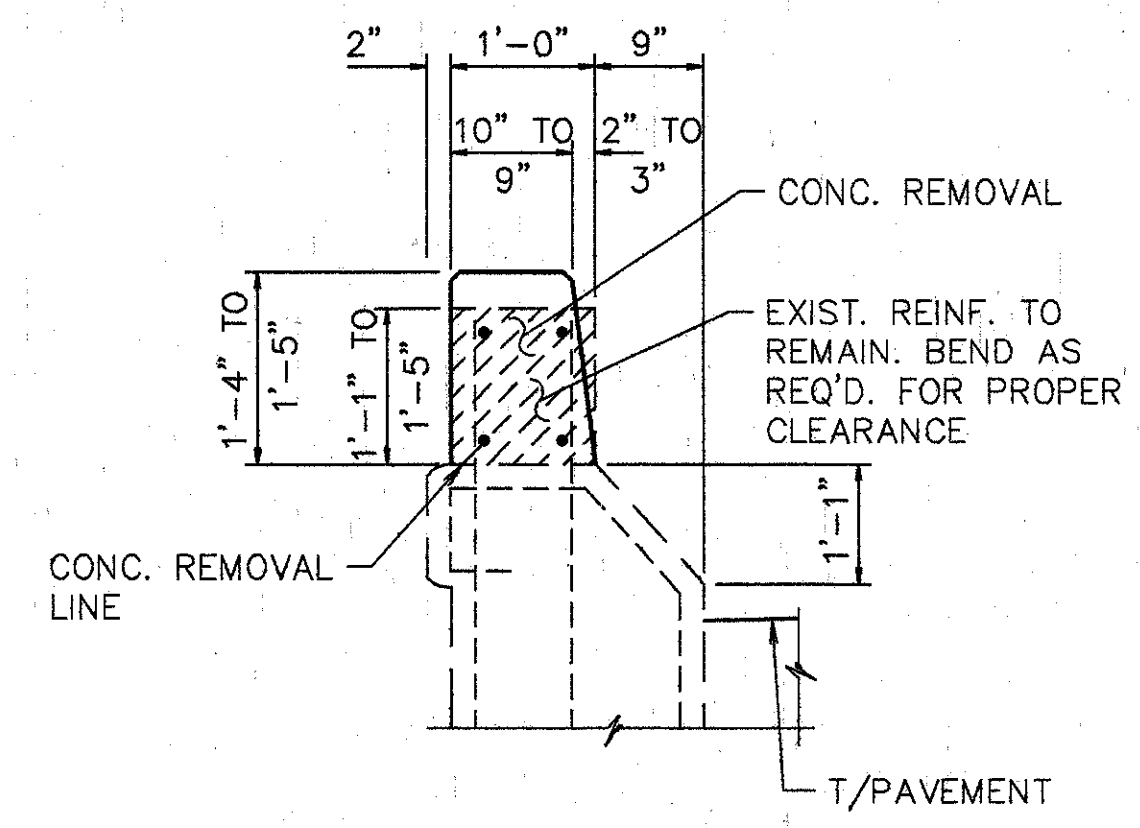




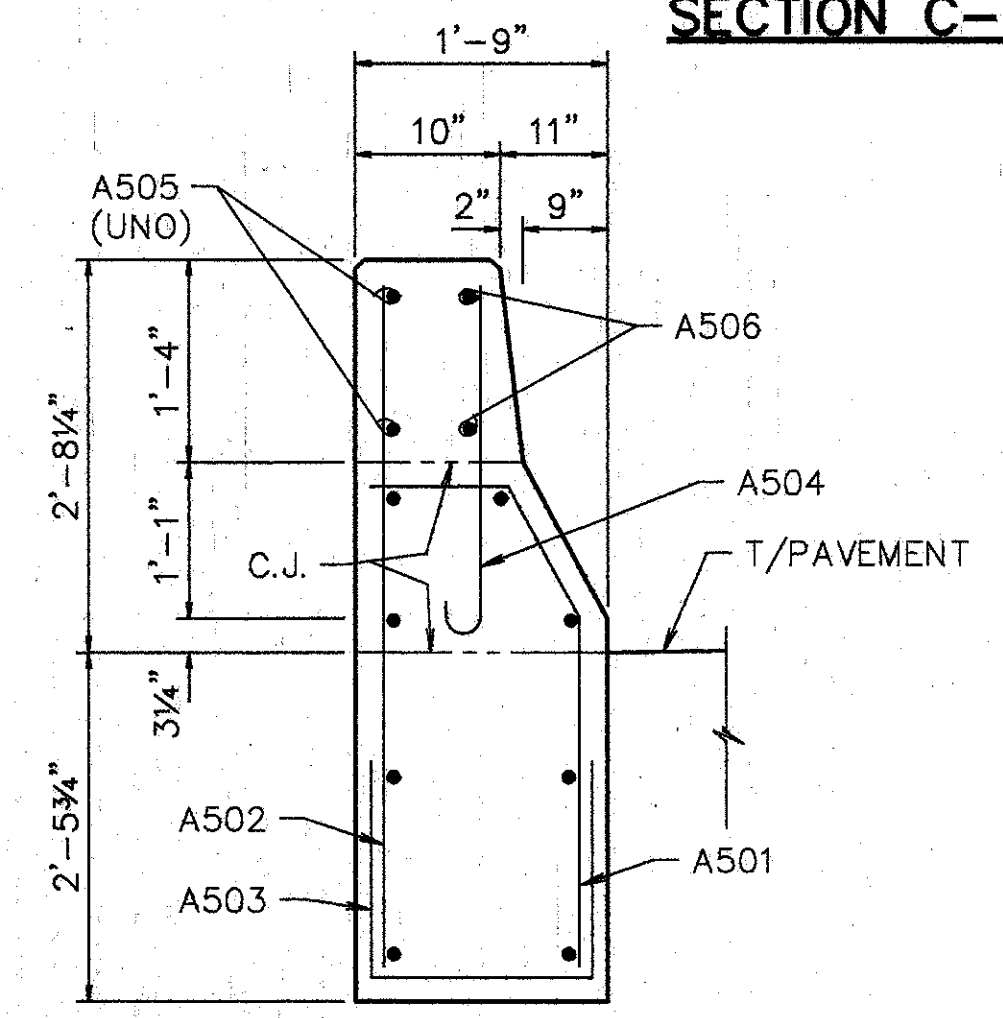
**PLAN - ABUTMENT MODIFICATION**



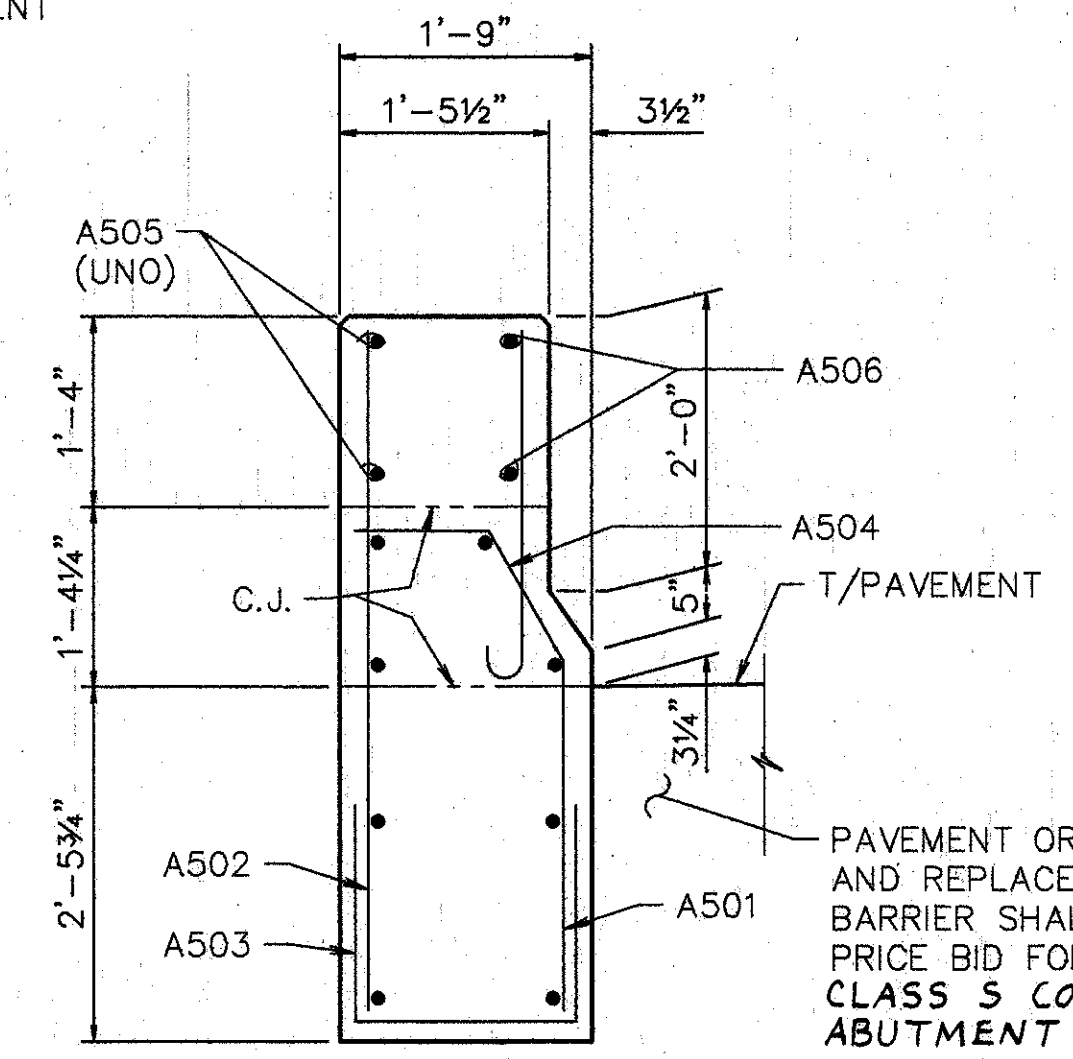
**ELEVATION - ABUTMENT MODIFICATION**



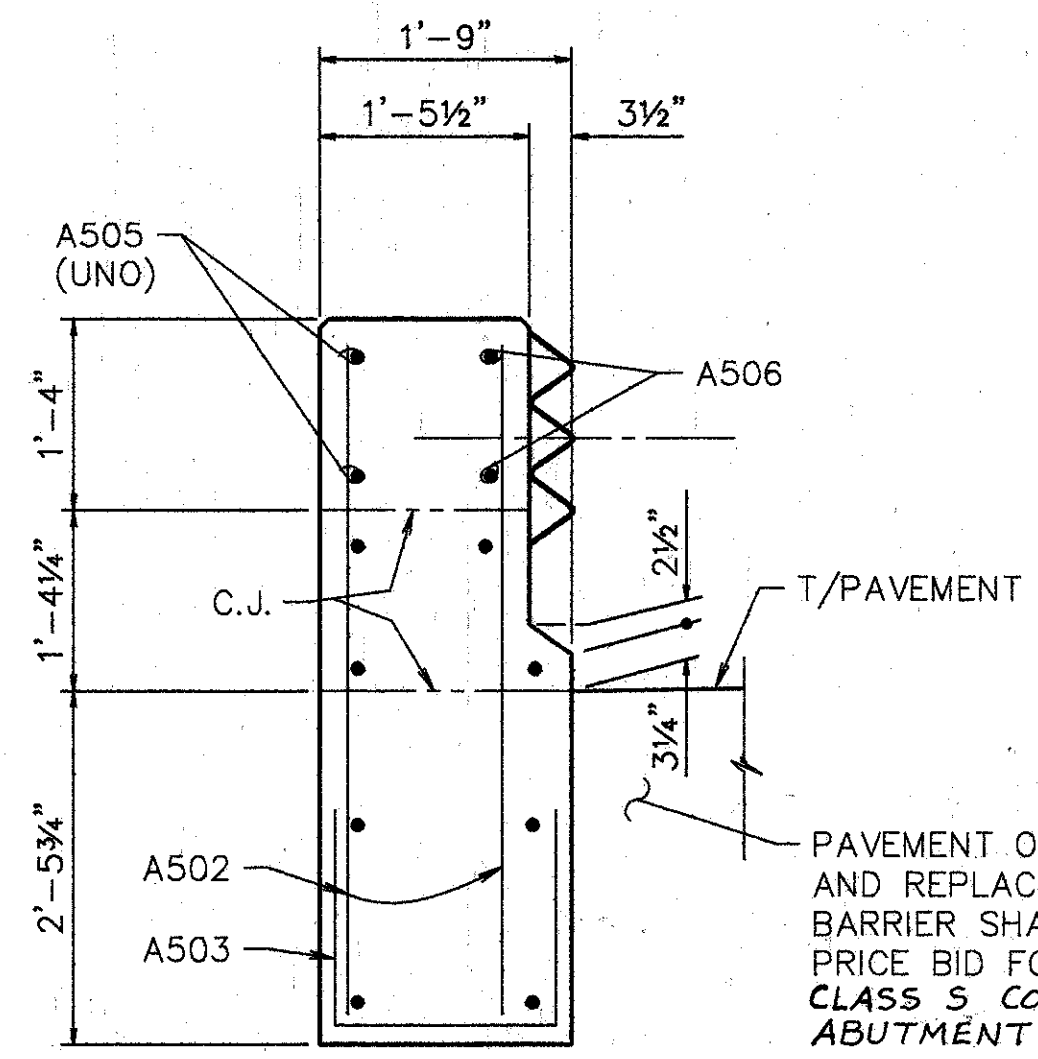
**SECTION C-C**



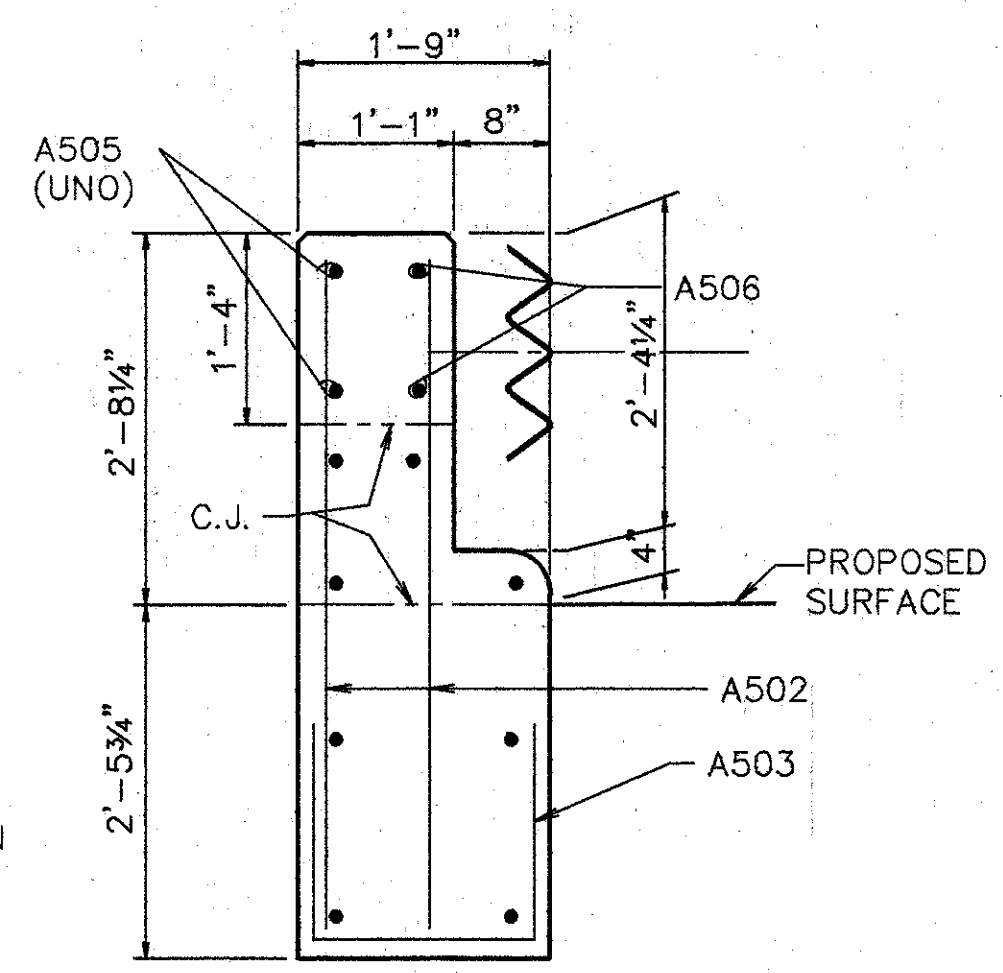
**SECTION D-D**



**SECTION E-E**



**SECTION F-F**



**SECTION G-G**

**NOTES:**  
 THE PRICE BID PER CUBIC YARD FOR ITEM 511, CLASS S CONCRETE, MISC.: **ABUTMENT PARAPETS** SHALL INCLUDE CLASS S CONCRETE, BACKFILL, REPLACING PORTIONS OF THE END OF EXISTING PARAPETS, AND OTHER WORK INCIDENTAL THERETO.  
 EPOXY COATED REINFORCING STEEL SHALL BE INCLUDED IN ITEM 509, 'EPOXY COATED REINFORCING STEEL, GRADE 60'.  
 EXISTING PARAPET TO BE REMOVED AND EXCAVATION SHALL BE INCLUDED IN ITEM 202 - PORTIONS OF STRUCTURE REMOVED.

PAVEMENT OR SOD REMOVED AND REPLACED TO CONSTRUCT BARRIER SHALL BE INCLUDED IN PRICE BID FOR **ITEM 511, CLASS S CONCRETE, MISC.: ABUTMENT PARAPETS**

PAVEMENT OR SOD REMOVED AND REPLACED TO CONSTRUCT BARRIER SHALL BE INCLUDED IN PRICE BID FOR **ITEM 511, CLASS S CONCRETE, MISC.: ABUTMENT PARAPETS**

† BARS SHALL REMAIN. CONTRACTOR SHALL EXERCISE CAUTION TO ENSURE THAT THESE BARS ARE NOT DAMAGED DURING THE CONCRETE REMOVAL OPERATION. ANY BARS DAMAGED AS A RESULT OF THE CONTRACTOR'S OPERATION SHALL BE REPLACED OR REPAIRED BY THE CONTRACTOR AT HIS EXPENSE. METHOD OF REPAIR OR REPLACEMENT WILL BE AT THE DISCRETION OF THE DIRECTOR.

**WOOLPERT CONSULTANTS**  
 409 E. MONUMENT AVENUE  
 DAYTON, OHIO 45402-1226  
 (513) 461-5660

**PARAPET SECTIONS**

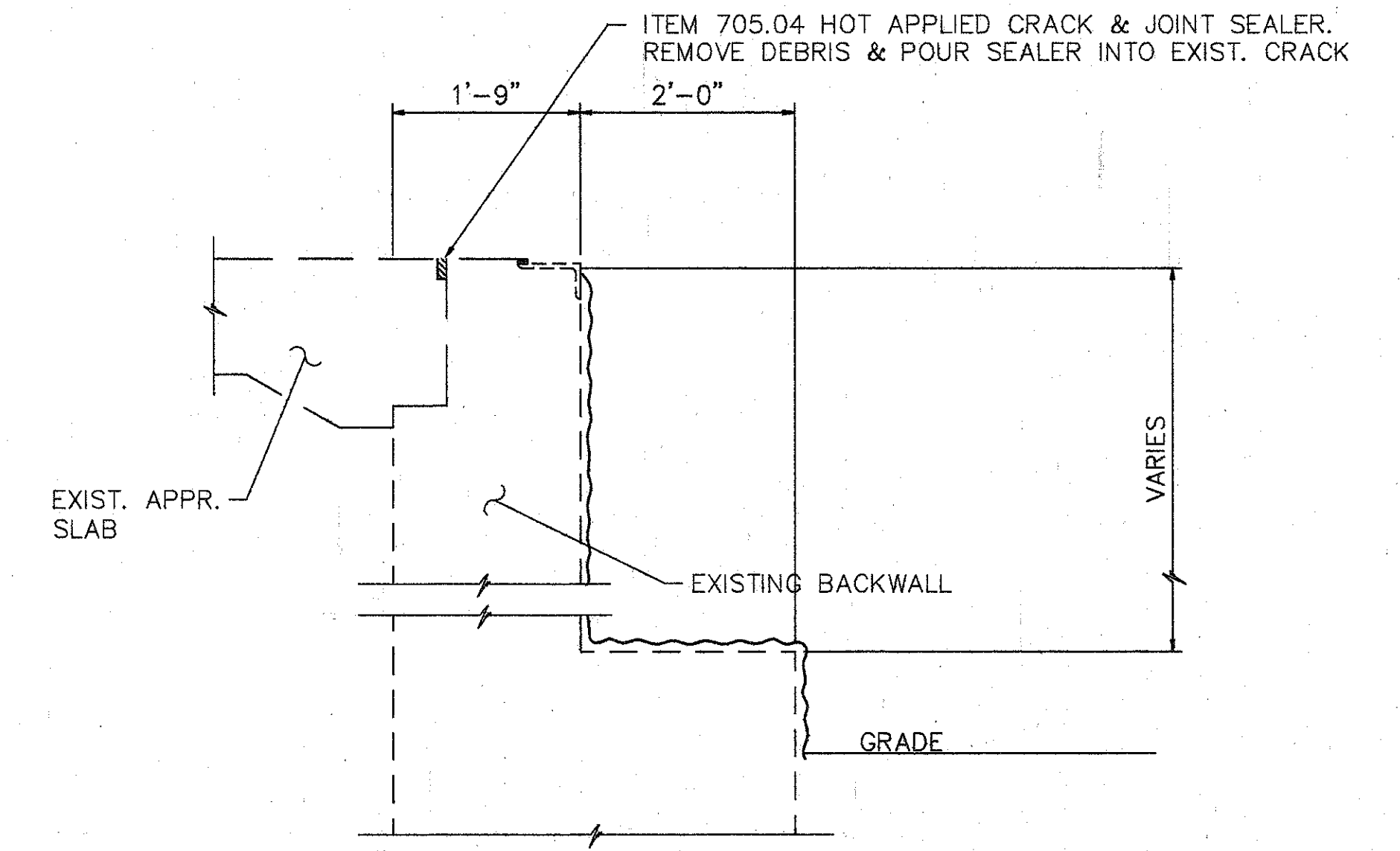
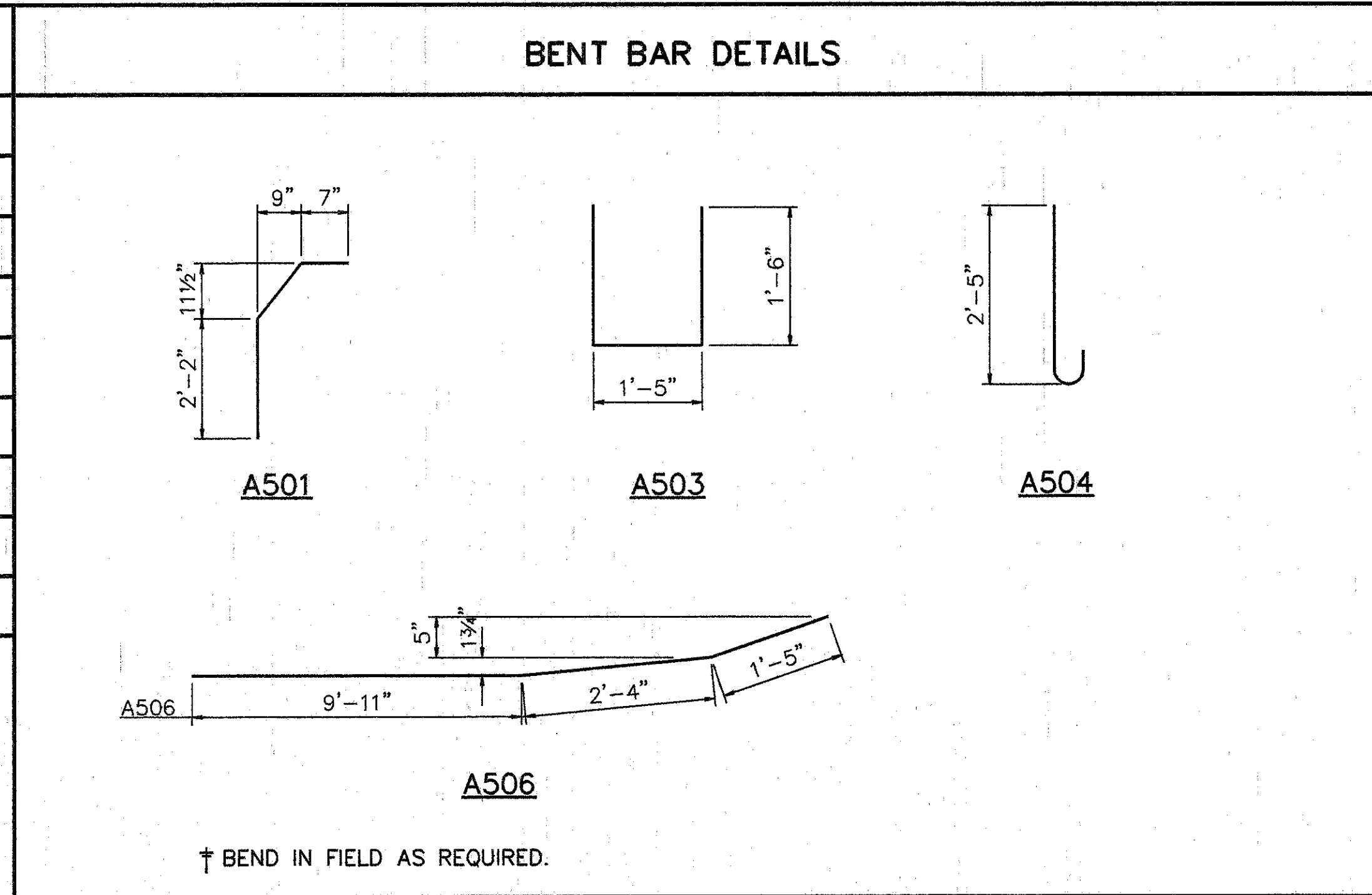
BRIDGE NO. HAM-71-0192N  
 RAMP 'GF' OVER PENN-CENTRAL

HAMILTON COUNTY

DESIGNED	DRAWN	TRACED	CHECKED	REVIEWED	DATE	REVISED
L.A.T.M.	D.E.E.		M.A.A.	D.E.M1	11/94	

Last File: MAY 15, 1994 @ 9:30 PM  
 C:\STV\1304-03\AS\1\1005172.Lot Revision By: RACH JUN 9, 1992 @ 8:2 AM

REINFORCING STEEL LIST				
MARK	SHAPE	NUMBER	LENGTH	WEIGHT
A501	BNT.	16	3'-10"	64
A502	STR.	24	4'-10"	121
A503	BNT.	20	4'-2"	87
A504	BNT.	16	3'-0"	50
A505	STR.	20	13'-6"	282
A506	BNT. †	4	13'-9"	57
REPLACEMENT STEEL				300
TOTAL				961

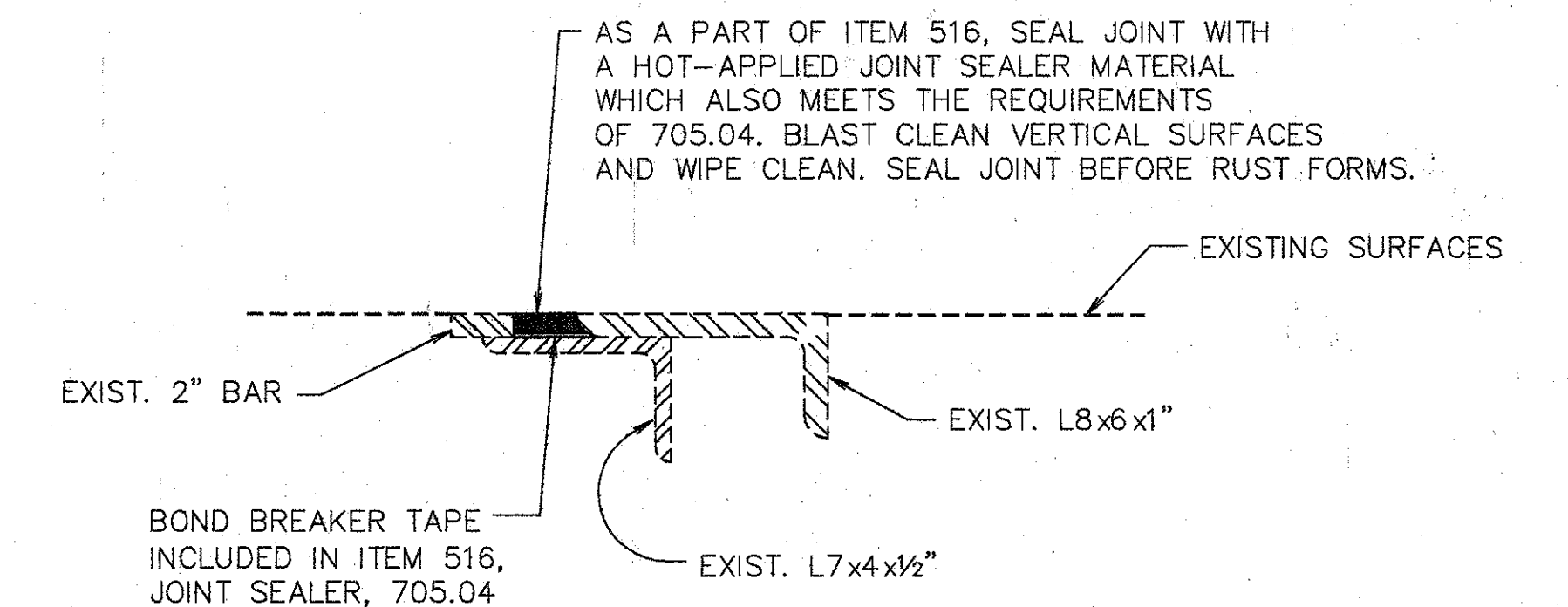


**DETAIL A**

~ SURFACE TO BE SEALED UNDER ITEM SPECIAL- 'SEALING OF CONCRETE SURFACE, EPOXY'.

ITEM	ITEM EXT.	TOTAL	UNITS	DESCRIPTION
202	11200	LUMP SUM	LBS.	PORTIONS OF STRUCTURE REMOVED
509	15820	961	LBS.	EPOXY COATED REINFORCING STEEL, GRADE 60
511	34450	10	C.Y.	CLASS S CONCRETE, MISC.: ABUTMENT PARAPETS
514	27704	LUMP	L.S.	FIELD PAINTING EXISTING STEEL, EEU *
SPECIAL	51267200	1520	S.Y.	WATERPROOFING, MISC: SEALING ASPHALT WEARING SURFACE
SPECIAL	51267500	898	S.Y.	SEALING OF CONCRETE SURFACE *
SPECIAL	51267502	36	S.Y.	SEALING OF CONCRETE SURFACE (EPOXY) *
516	14600	10	L.F.	STRUCTURAL JOINT OR JOINT SEALER, MISC.: 2" x 4" SEALER, AS PER PLAN
516	31000	46	L.F.	JOINT SEALER, 705.04
516	45304	8	EACH	REFURBISH BEARING DEVICE
518	63300	LUMP SUM	L.S.	STRUCTURE DRAINAGE, MISC: MODIFY DRAINAGE PIPING
519	11100	16	S.F.	PATCHING CONCRETE STRUCTURE
516	14600	125	L.F.	SEAL JOINT BETWEEN ABUTMENT AND CONCRETE SLOPE PROTECTION
518	63300	LUMP	L.S.	SCOPPER AND DRAINAGE PIPE CLEANOUT
601	21100	5	S.Y.	REPAIR CONCRETE SLOPE PROTECTION

\* SEE PROPOSAL NOTE



**DETAIL B**

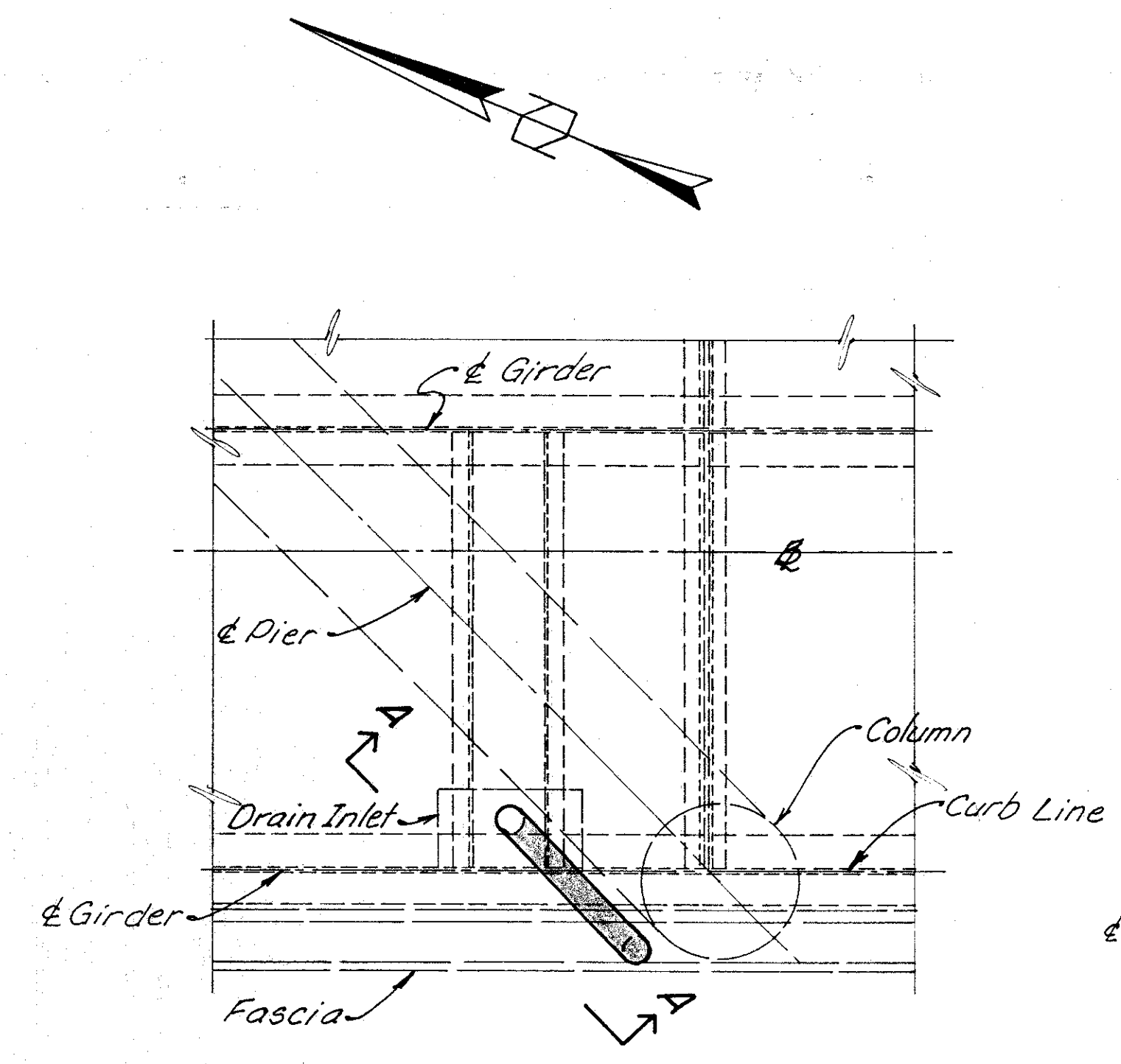
**WOOLPERT CONSULTANTS**  
 409 E. MONUMENT AVENUE  
 DAYTON, OHIO 45402-1226  
 (513) 461-5660

**MISCELLANEOUS DETAILS**

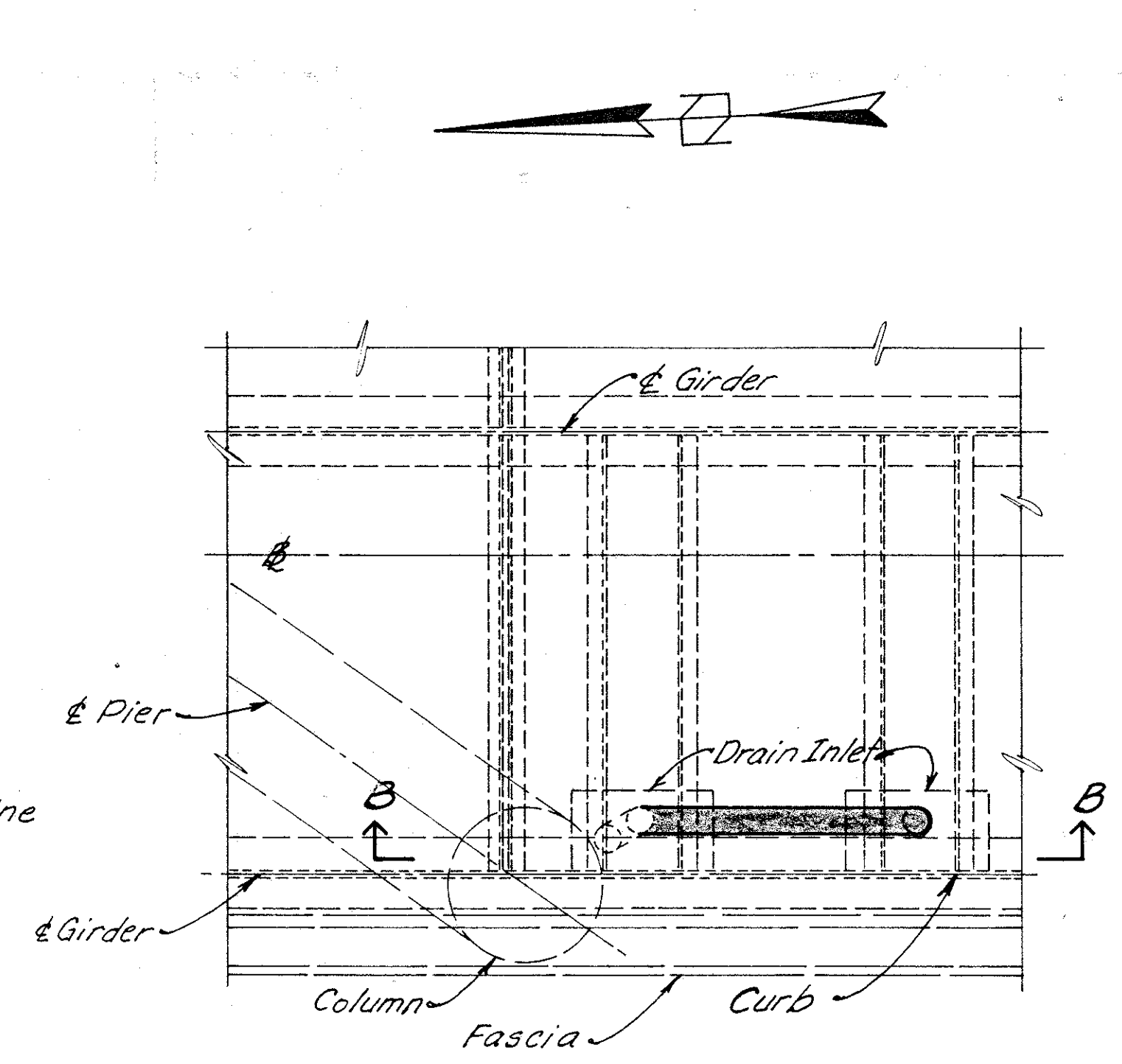
BRIDGE NO. HAM-71-0192N  
 RAMP 'GF' OVER PENN-CENTRAL  
 HAMILTON COUNTY

DESIGNED	DRAWN	TRACED	CHECKED	REVIEWED	DATE	REVISED
L.A.T.M.	D.E.E.		M.A.A.	D.E.M11/11/94		

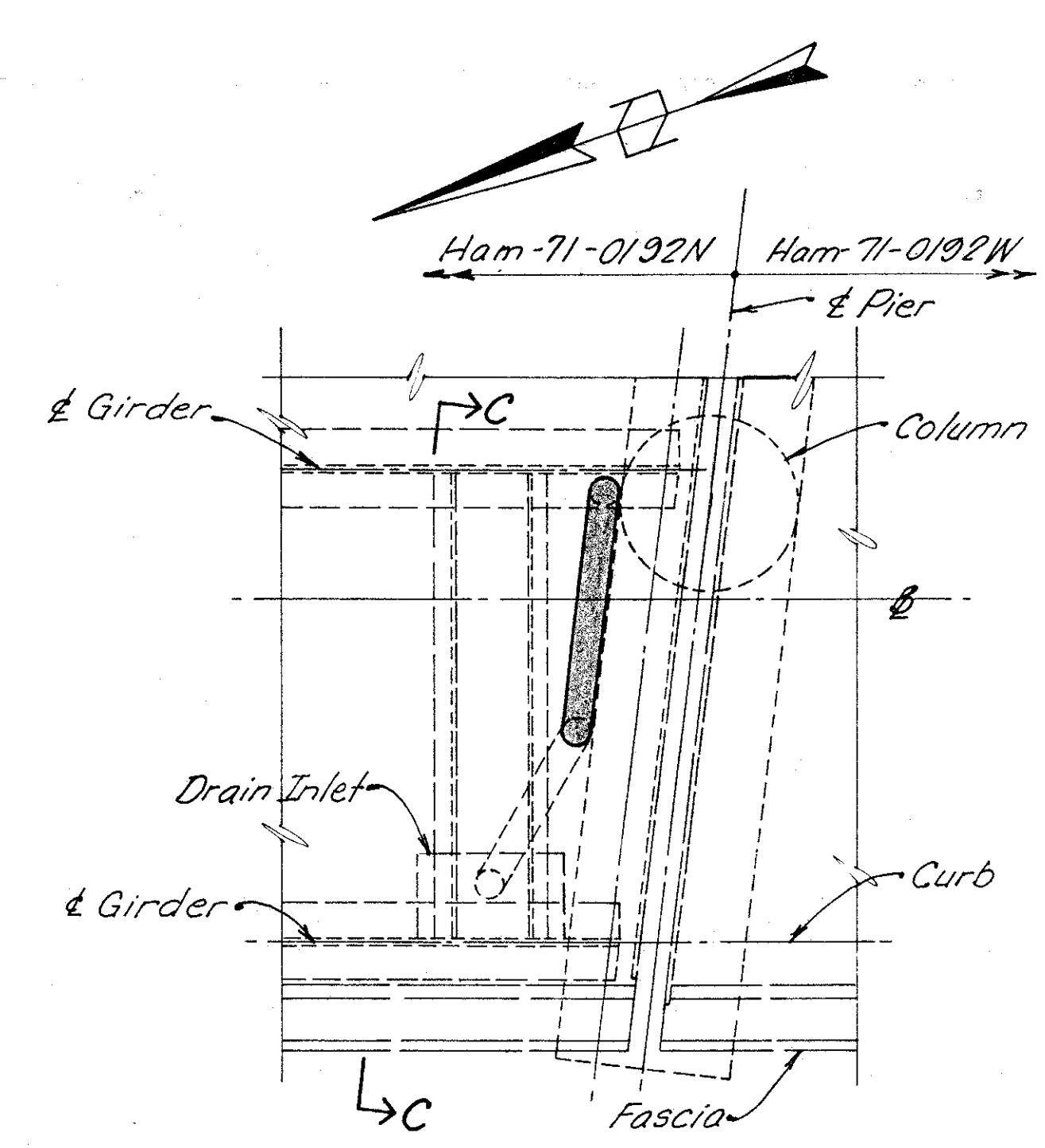




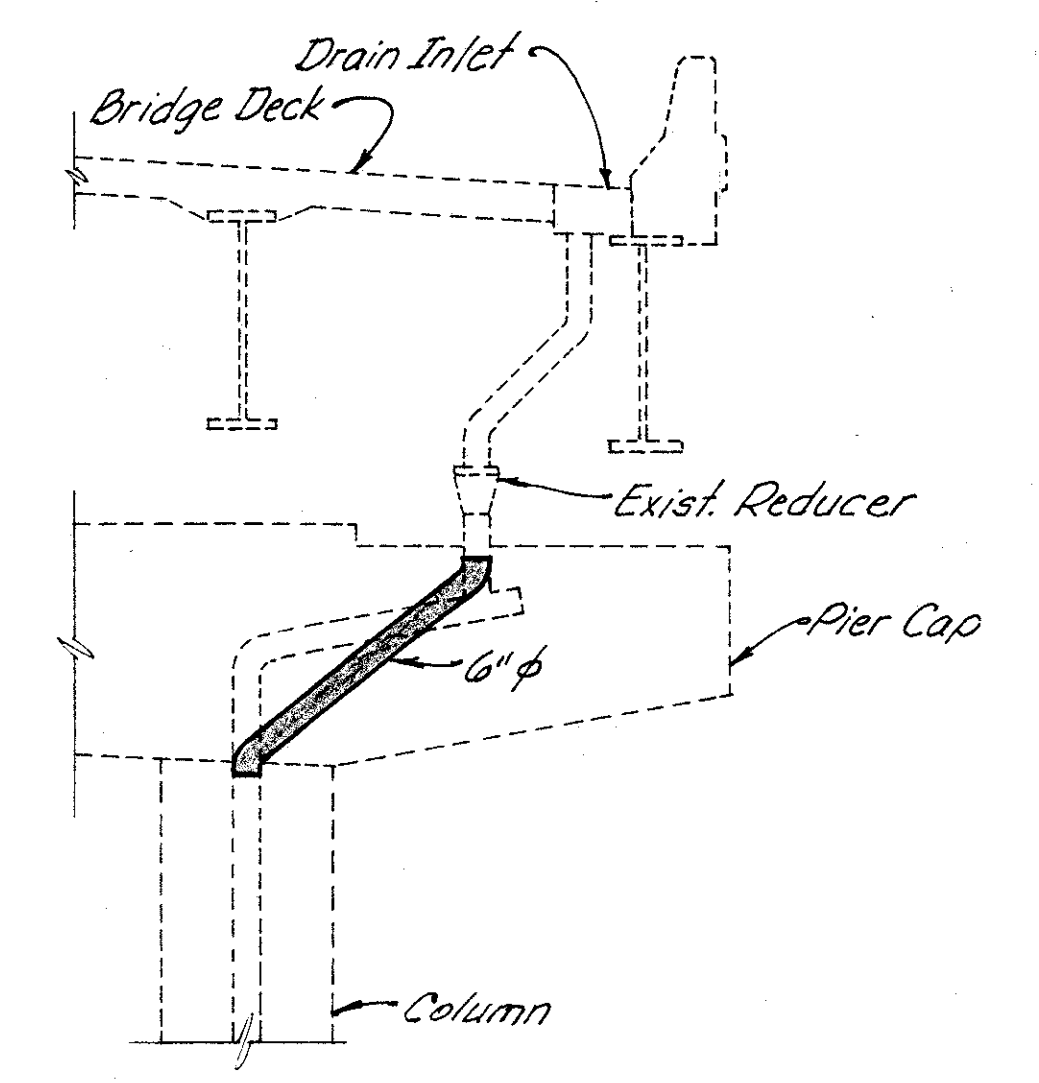
PIER 2



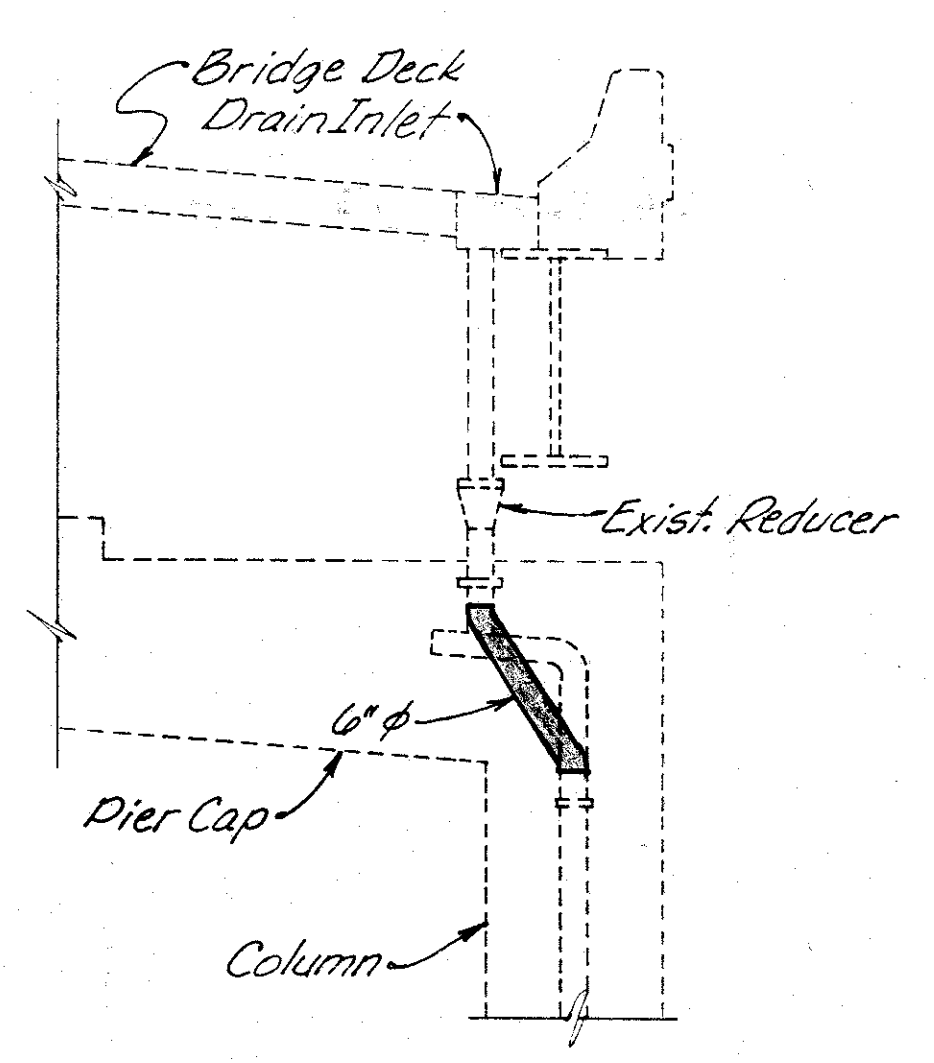
PIER 4



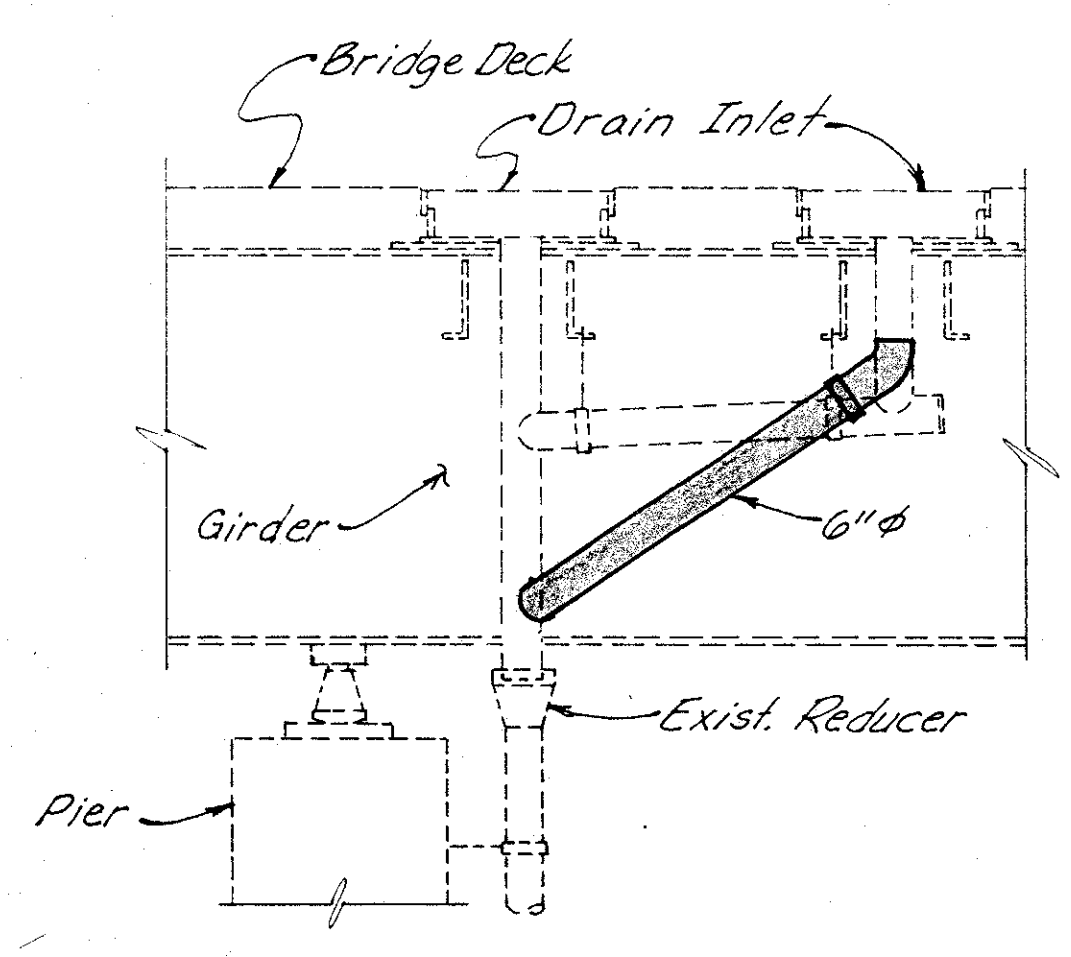
PIER 2 (BRIDGE 71-0192W)



SECTION C-C



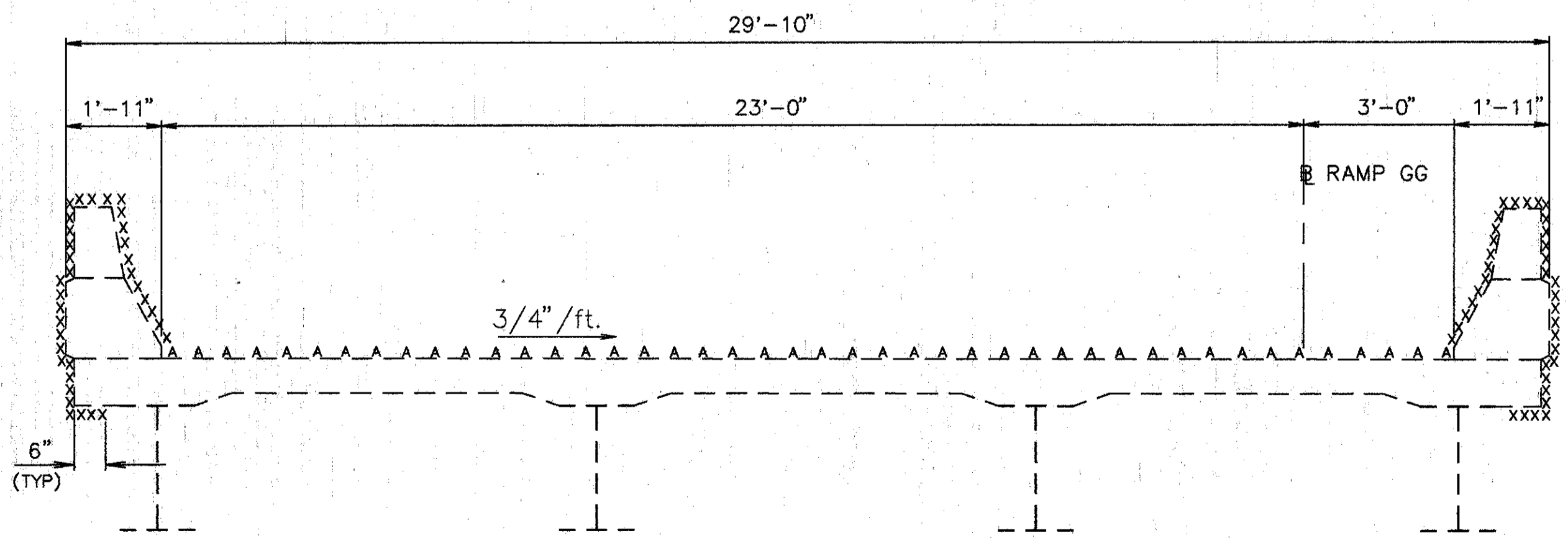
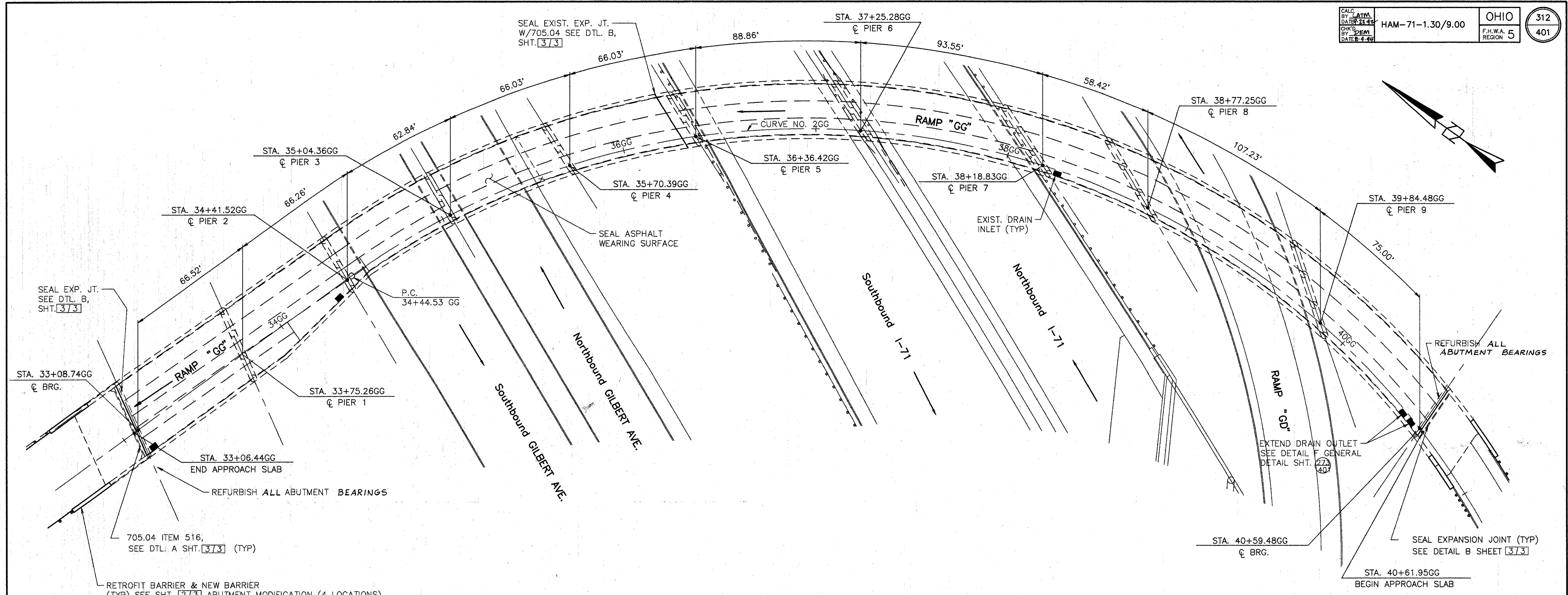
SECTION A-A



SECTION B-B

- For drainage piping requirements see General Notes on sheet 273
- Approximate No of Linear Feet of proposed 6" pipe (including specials) = 30'

		<b>WOOLPERT CONSULTANTS</b> 409 East Monument Avenue Dayton, Ohio 45402-1226		4/4	
<b>DRAINAGE DETAILS</b>					
BRIDGE NO. HAM-71-0192 N OVER GILBERT AVENUE					
HAMILTON COUNTY					
DESIGNED	DRAWN	TRACED	CHECKED	REVIEWED	DATE
L.A.T.M.	RACH		M.A.A.	D.E.M.	11/11/99



TYPICAL BRIDGE SECTION

TABLE OF SPAN LENGTH

SPAN	LENGTH	SPAN	LENGTH
1	66.52'	6	88.86'
2	66.26'	7	93.55'
3	62.84'	8	58.42'
4	66.03'	9	107.23'
5	66.03'	10	75.00'

**NOTES:**  
 SEAL PARAPETS, PIERS, AND BACKWALLS (SEE DTL. A SHT. 3/3).  
 SEAL ALL PIERS, EXCEPT T/PIER CAP. DO NOT SEAL PIER 1.

XXXXX SURFACES TO BE SEALED UNDER ITEM SPECIAL, SEALING OF CONCRETE SURFACE.  
 AAAAA SURFACES TO BE SEALED UNDER ITEM SPECIAL, WATERPROOFING, MISC.: SEALING ASPHALT WEARING SURFACE.

**EXISTING STRUCTURE**  
 TYPE: CONTINUOUS STEEL PLATE CURVED GIRDERS W/ REINF. CONC. DECK & SUBSTRUCTURE  
 SPANS: VARY, SEE TABULATION  
 ROADWAY: 26'-0" F-F CURBS (SPANS 4 THRU 10) VARIES (SPANS 1,2 & 3)  
 SKEW: VARIES  
 LIVE LOADING: HS 20-44 AND THE INTERSTATE ALTERNATE LOADING  
 WEARING SURFACE: 1 1/2" ASPHALT SURFACE COURSE  
 APPROACH SLABS: AS-1-67 (25'-0" LONG)  
 ALIGNMENT: VARIES  
 SUPERELEVATION: VARIES

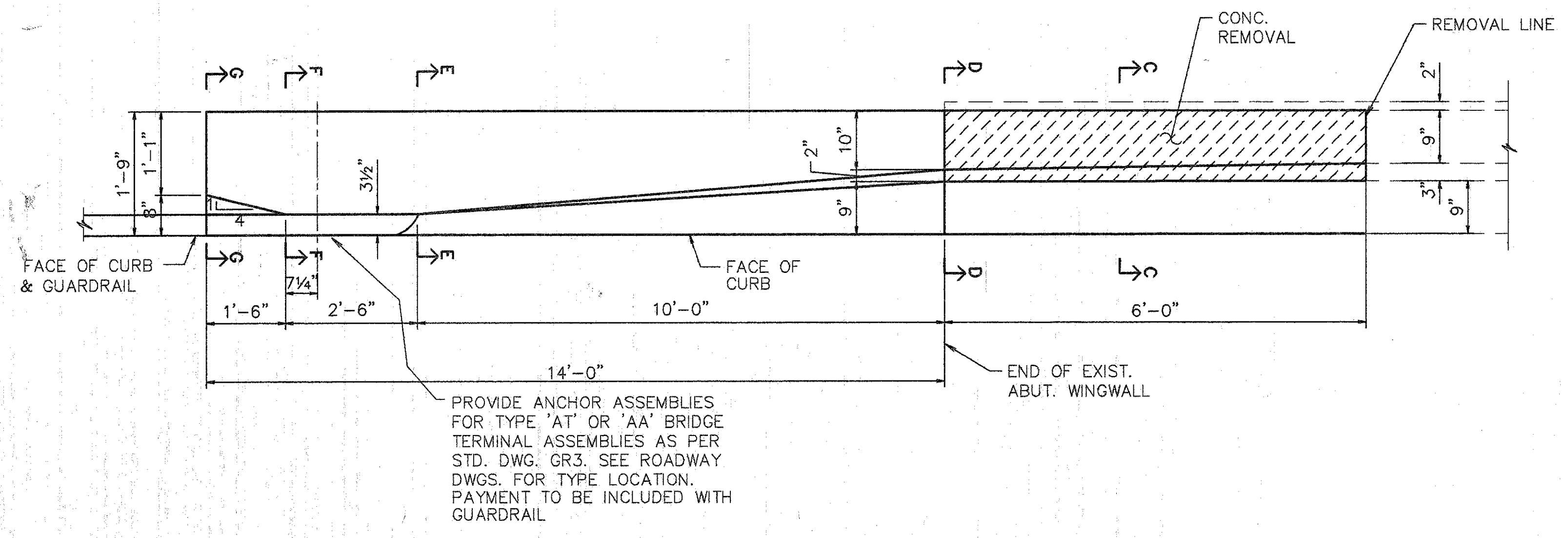
**WOOLPERT CONSULTANTS**  
 409 E. MONUMENT AVENUE  
 DAYTON, OHIO 45402-1226  
 (513) 461-5660

**GENERAL PLAN**  
 BRIDGE NO. HAM-71-0202  
 OVER INTERSTATE ROUTE 71  
 HAMILTON COUNTY

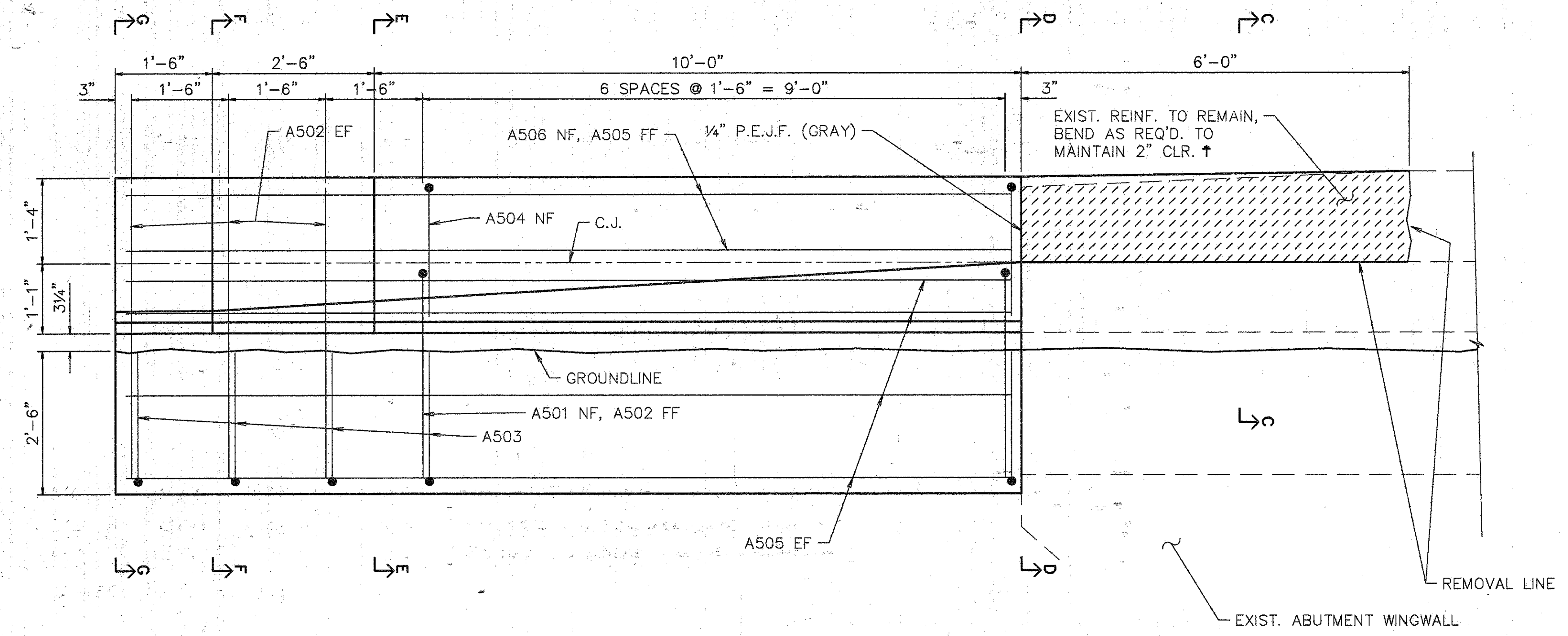
DESIGNED	DRAWN	TRACED	CHECKED	REVIEWED	DATE	REVISED
L.A.T.M.	RACH		M.A.A.	D.E.M1	11/94	

L.A.T.M. JUN 17 1991 8:02 AM  
 C:\STRA\6556-03\BRIDGE\71-0202 Latt Revised By: RACH MAY 18 1994 8:27 PM

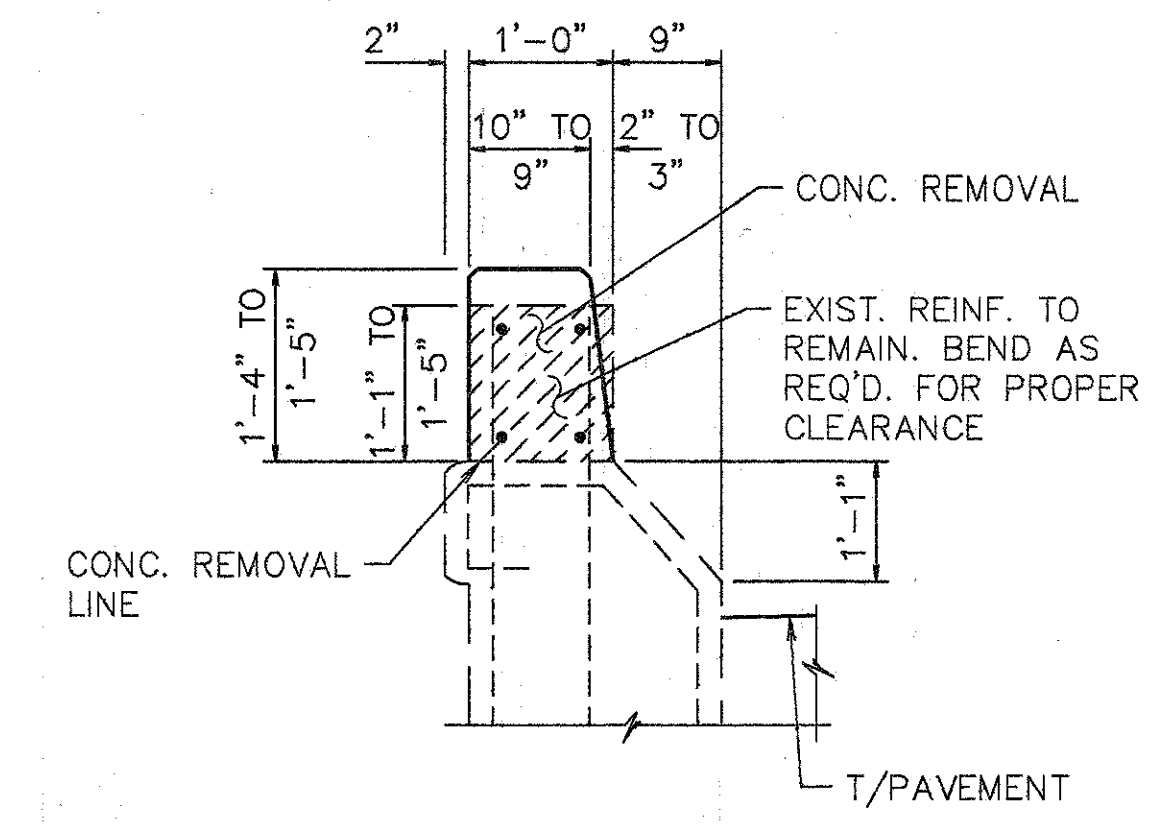




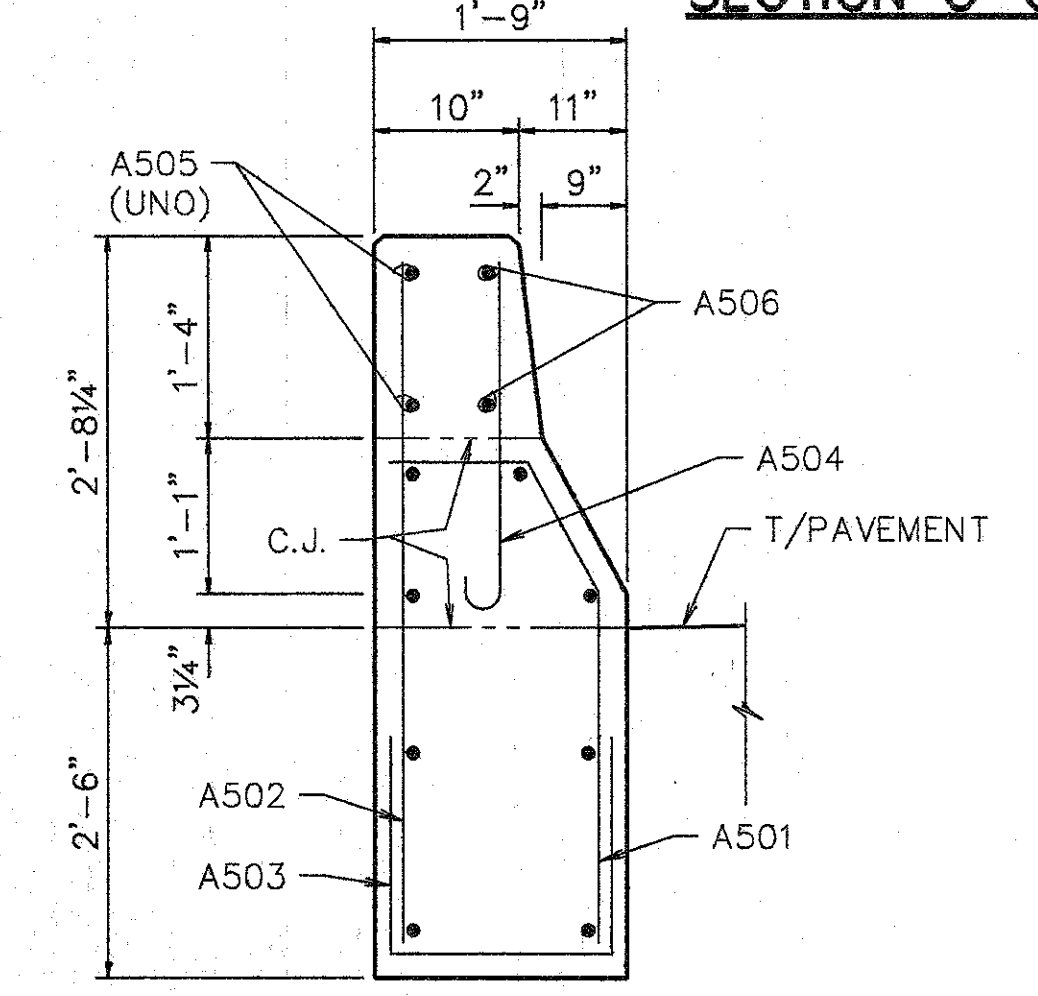
**PLAN - ABUTMENT MODIFICATION**



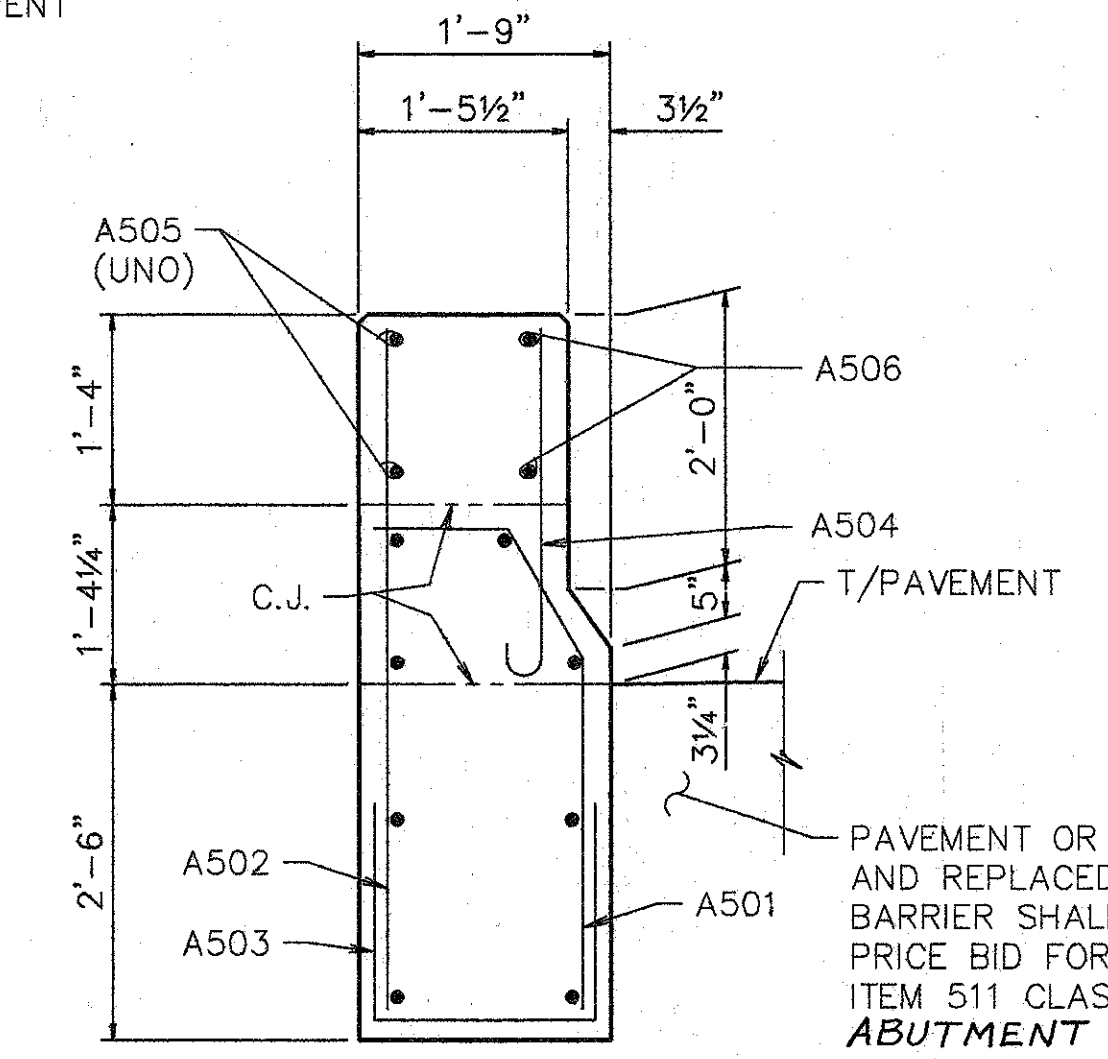
**ELEVATION - ABUTMENT MODIFICATION**



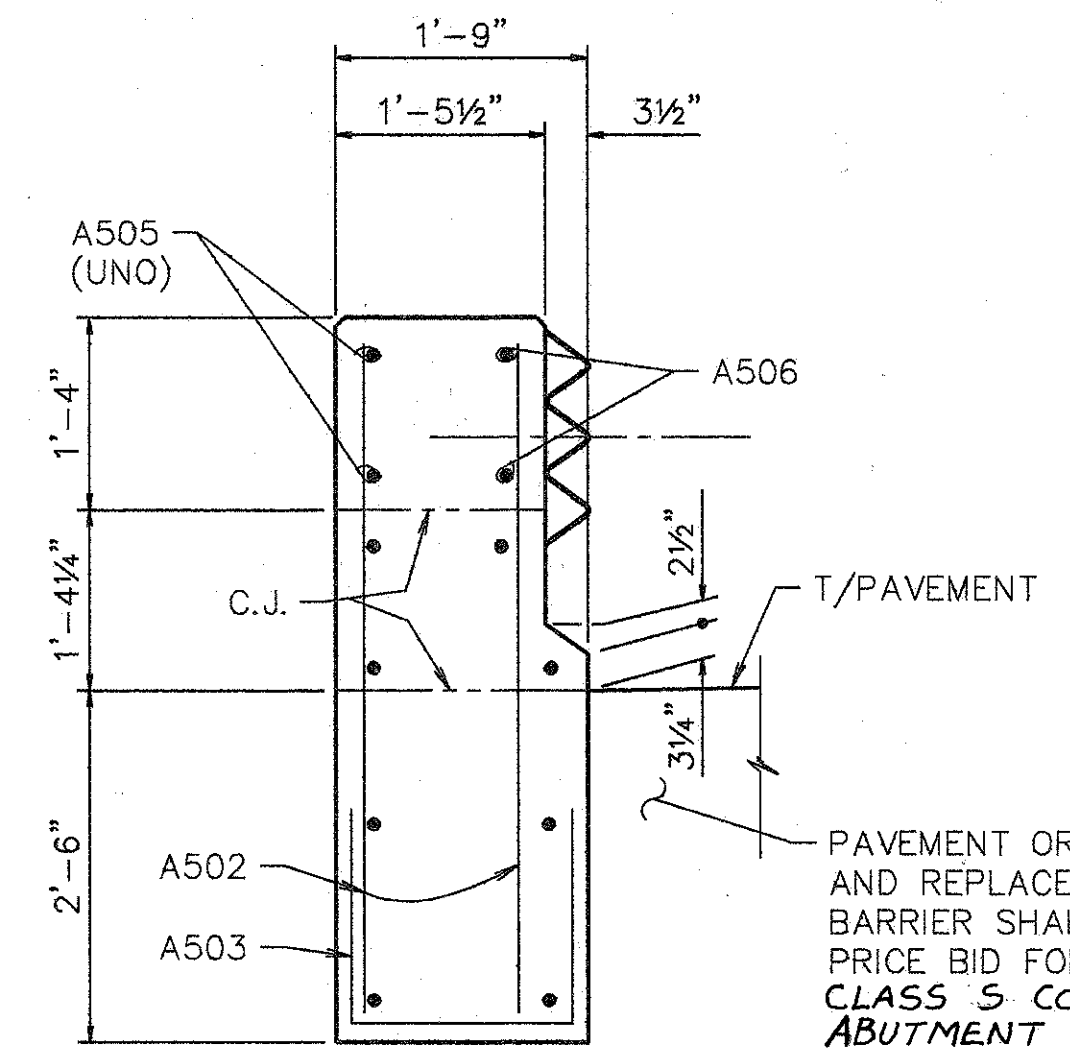
**SECTION C-C**



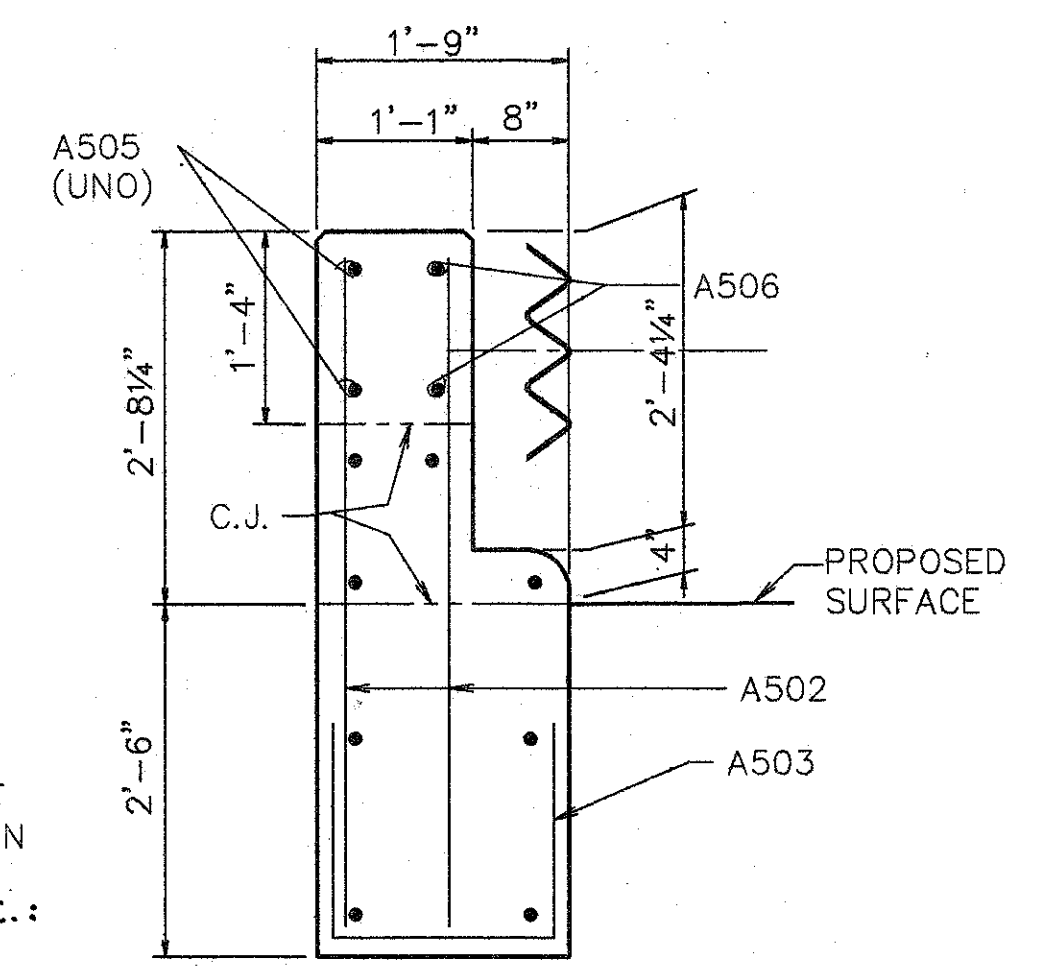
**SECTION D-D**



**SECTION E-E**



**SECTION F-F**



**SECTION G-G**

**NOTES:**  
 THE PRICE BID PER CUBIC YARD FOR ITEM 511, CLASS S CONCRETE, MISC.: **ABUTMENT PARAPETS** SHALL INCLUDE CLASS S CONCRETE, BACKFILL, REPLACING PORTIONS OF THE END OF EXISTING PARAPETS, 1/4" EXPANSION JOINT MATERIAL AND OTHER WORK INCIDENTAL THERETO.  
 EPOXY COATED REINFORCING STEEL SHALL BE INCLUDED IN ITEM 509, 'EPOXY COATED REINFORCING STEEL, GRADE 60'.  
 EXISTING PARAPET TO BE REMOVED AND EXCAVATION SHALL BE INCLUDED IN ITEM 202 - PORTIONS OF STRUCTURE REMOVED.

PAVEMENT OR SOD REMOVED AND REPLACED TO CONSTRUCT BARRIER SHALL BE INCLUDED IN PRICE BID FOR ITEM 511 CLASS S CONCRETE, MISC.: **ABUTMENT PARAPETS**

PAVEMENT OR SOD REMOVED AND REPLACED TO CONSTRUCT BARRIER SHALL BE INCLUDED IN PRICE BID FOR ITEM 511, CLASS S CONCRETE, MISC.: **ABUTMENT PARAPETS**

† BARS SHALL REMAIN. CONTRACTOR SHALL EXERCISE CAUTION TO ENSURE THAT THESE BARS ARE NOT DAMAGED DURING THE CONCRETE REMOVAL OPERATION. ANY BARS DAMAGED AS A RESULT OF THE CONTRACTOR'S OPERATION SHALL BE REPLACED OR REPAIRED BY THE CONTRACTOR AT HIS EXPENSE. METHOD OF REPAIR OR REPLACEMENT WILL BE AT THE DISCRETION OF THE DIRECTOR.

**WOOLPERT CONSULTANTS**  
 409 E. MONUMENT AVENUE  
 DAYTON, OHIO 45402-1226  
 (513) 461-5660

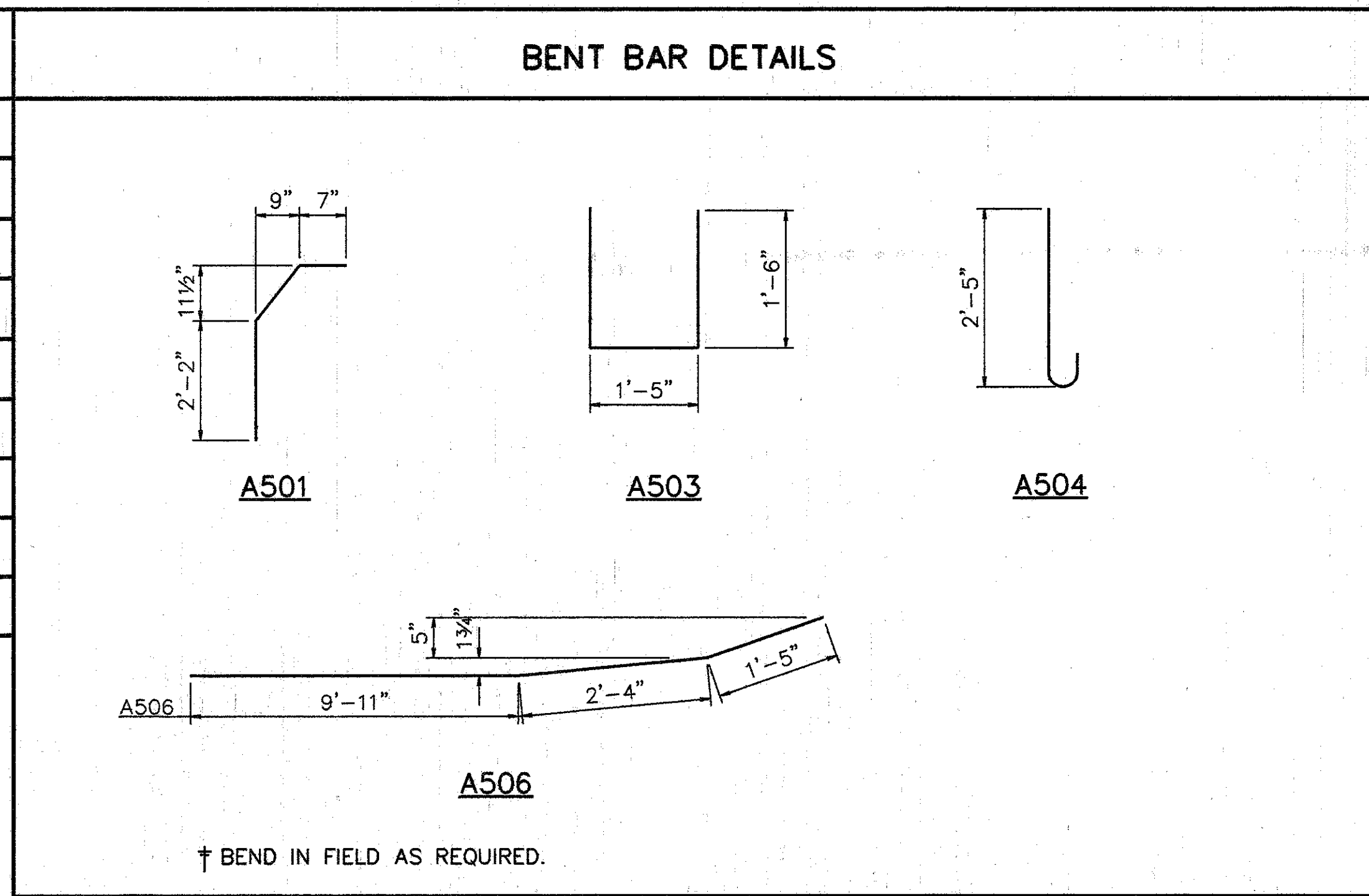
**PARAPET SECTIONS**

BRIDGE NO. HAM-71-0202  
 OVER INTERSTATE ROUTE 71  
 HAMILTON COUNTY

DESIGNED	DRAWN	TRACED	CHECKED	REVIEWED	DATE	REVISED
L.A.T.M.	D.E.E.		M.A.A.	D.E.M1/11/94		

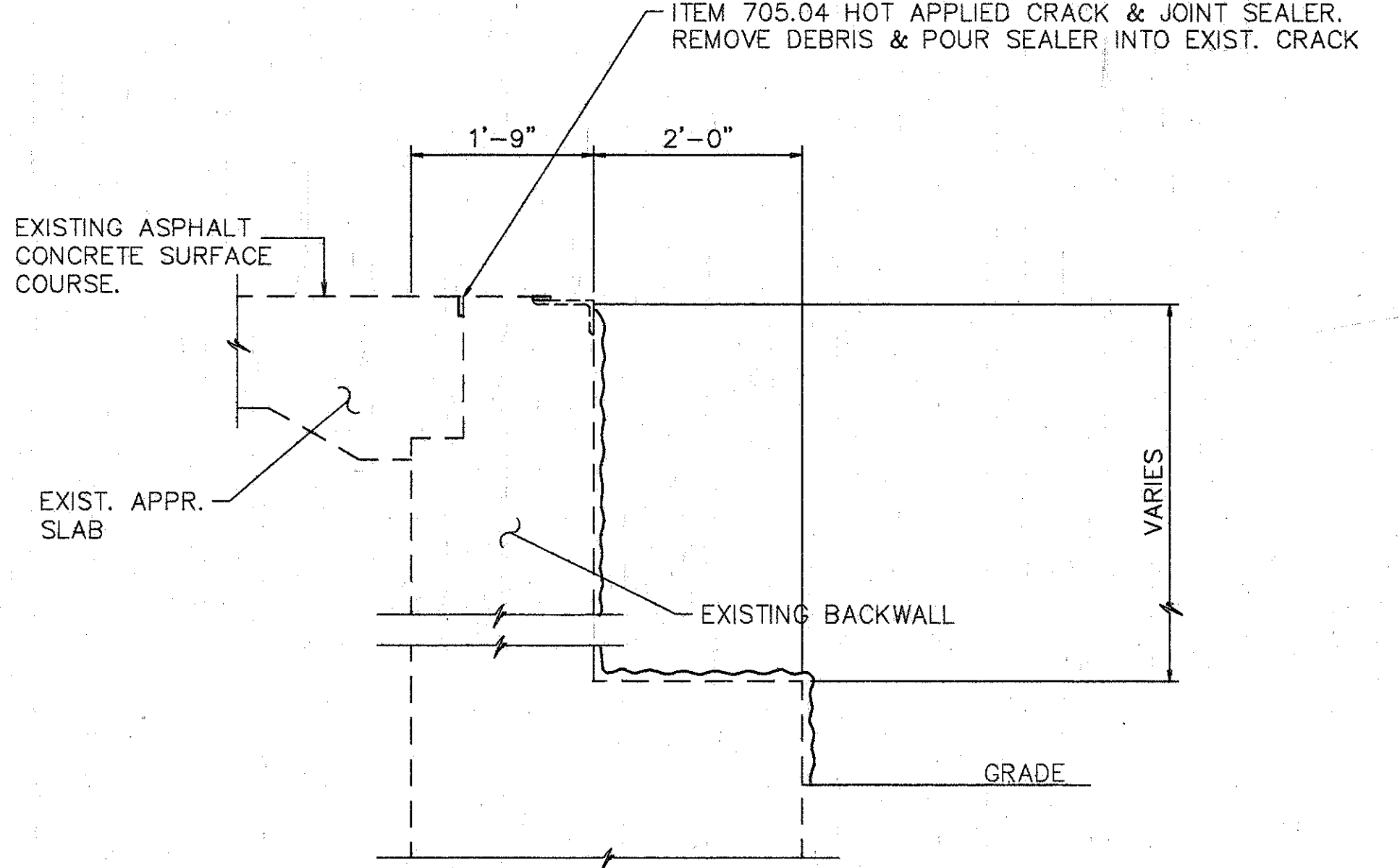
L&L PLOT MAY 15, 1991 @ 2:30 PM  
 C:\STR\5856-05\SHLAND\02025172.Lot1 (Revision 0)

REINFORCING STEEL LIST				
MARK	SHAPE	NUMBER	LENGTH	WEIGHT
A501	BNT.	28	3'-10"	112
A502	STR.	52	4'-10"	262
A503	BNT.	40	4'-2"	174
A504	BNT.	28	3'-0"	88
A505	STR.	40	13'-6"	563
A506	BNT. †	8	13'-9"	115
REPLACEMENT STEEL				300
TOTAL				1614



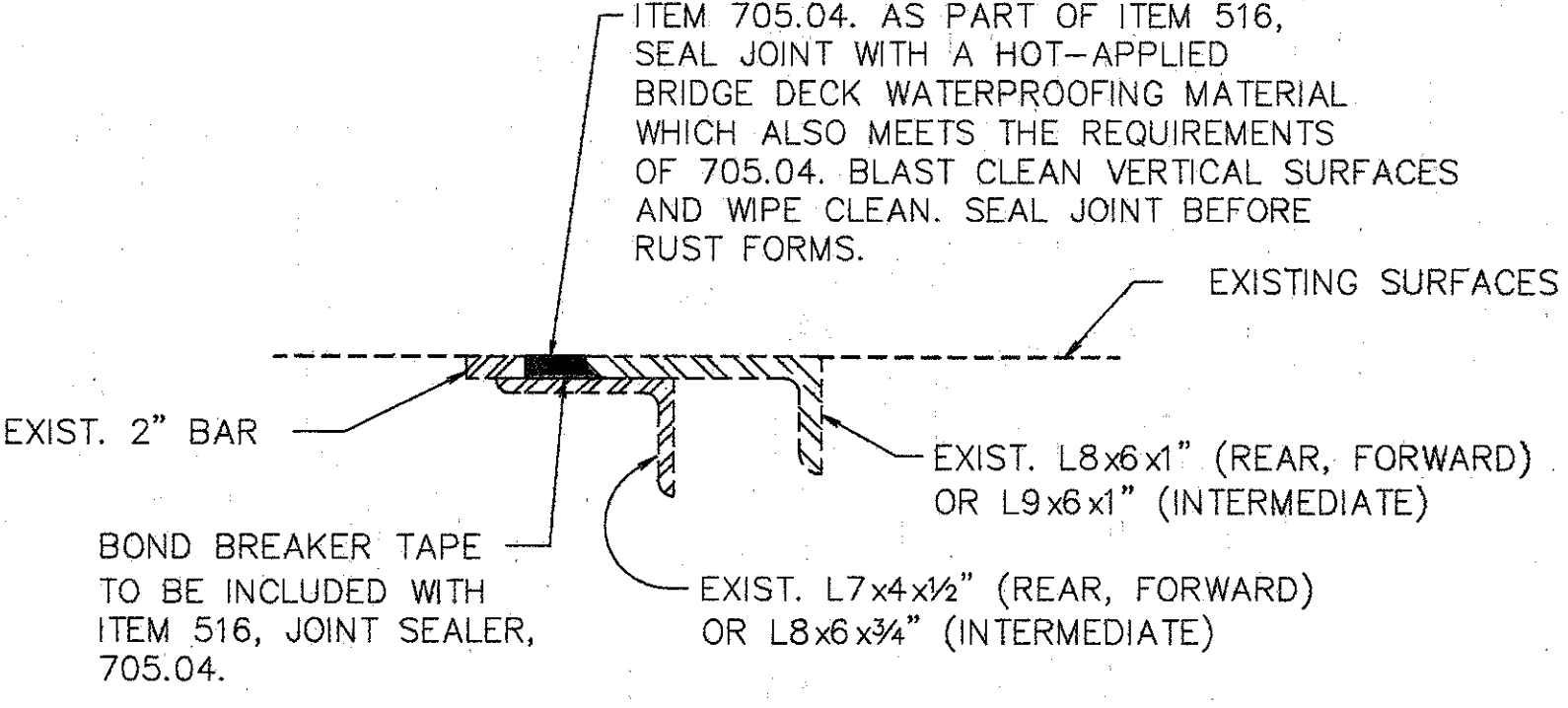
ITEM	ITEM EXT.	TOTAL	UNITS	DESCRIPTION
202	11200	LUMP SUM	L.S.	PORTIONS OF STRUCTURE REMOVED
516	14600	50	L.F.	STRUCTURAL JOINT OR JOINT SEALER, MISC.: 2"x4" SEALER, AS PER PLAN
509	15820	1614	LBS.	EPOXY COATED REINFORCING STEEL, GRADE 60
511	34450	20	C.Y.	CLASS S CONCRETE, MISC.: ABUTMENT PARAPETS
SPECIAL	51267200	2342	S.Y.	WATERPROOFING, MISC: SEALING ASPHALT WEARING SURFACE
SPECIAL	51267500	1995	S.Y.	SEALING OF CONCRETE SURFACE *
SPECIAL	51267502	128	S.Y.	SEALING OF CONCRETE SURFACE (EPOXY) *
519	11100	12	S.F.	PATCHING CONCRETE STRUCTURE
514	27704	LUMP	L.S.	FIELD PAINTING, MISC: EXISTING STEEL, EEU *
516	31000	160	L.F.	JOINT SEALER, 705.04
516	45304	8	EACH	REFURBISH BEARING DEVICE
518	12700	2	EACH	SCUPPER, VERTICAL EXTENSION
516	14600	150	L.F.	SEAL JOINT BETWEEN ABUTMENT AND CONCRETE SLOPE PROTECTION
518	63300	LUMP	L.S.	SCUPPER AND DRAINAGE PIPE CLEANOUT
601	21100	5	S.Y.	REPAIR CONCRETE SLOPE PROTECTION

\* SEE PROPOSAL NOTE



DETAIL A

SURFACE TO BE SEALED UNDER ITEM SPECIAL, SEALING OF CONCRETE SURFACE, (EPOXY).



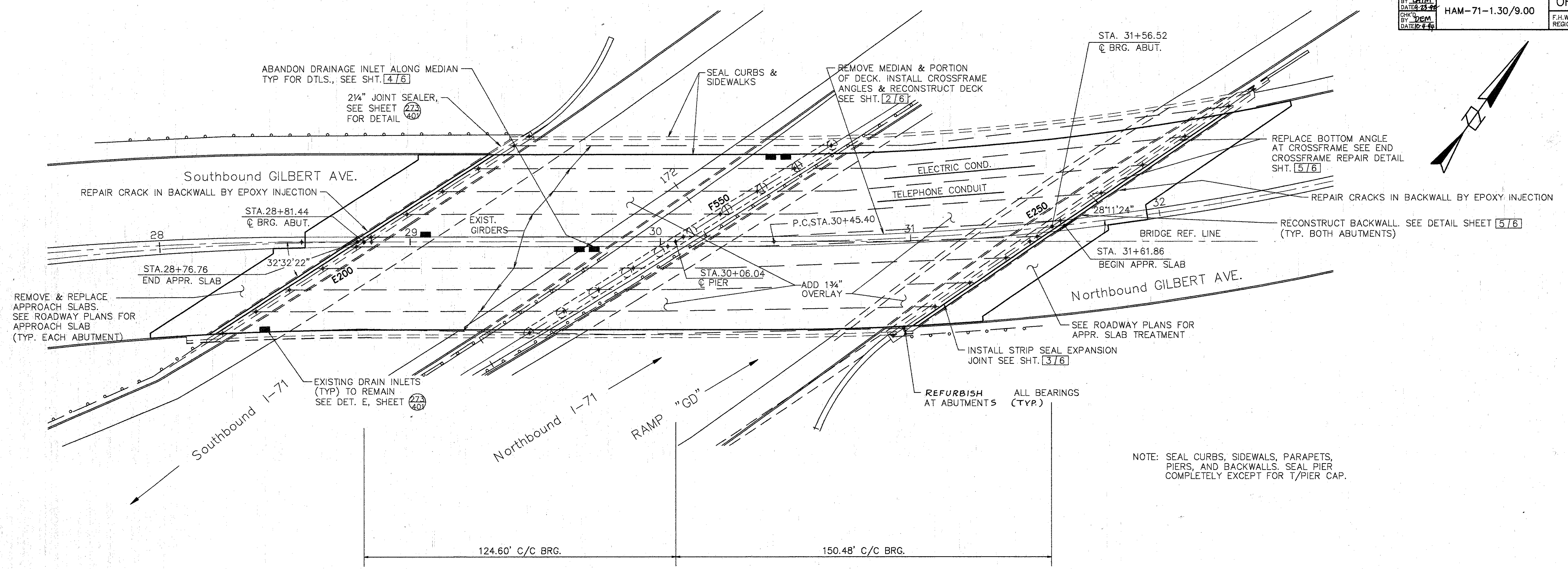
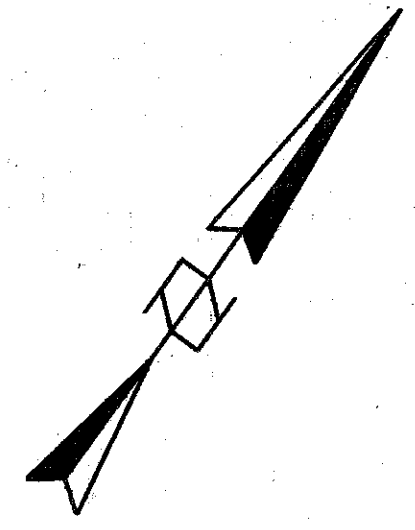
DETAIL B

**PROPOSED WORK**

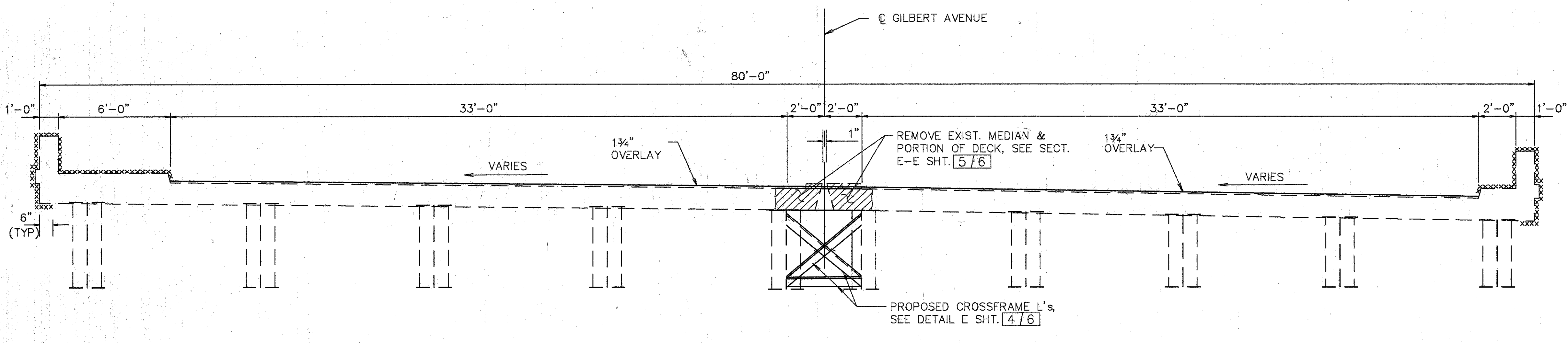
1. RETROFIT BARRIER & PLACE NEW BARRIER.
2. SEAL PARAPETS, PIERS, AND BACKWALL.
3. REFURBISH AND/OR PAINT ALL ABUTMENT BEARINGS.
4. SEAL ASPHALT WEARING SURFACE AND EXPANSION JOINT.
5. SEAL JOINTS AS NOTED.
6. AT LEAST ONE LANE OF TRAFFIC SHALL BE MAINTAINED ON THE BRIDGE AT ALL TIMES. FOR NOTES SEE MAINTENANCE OF TRAFFIC PLANS.
7. OTHER WORK AS DESCRIBED IN THESE PLANS.

<b>WOOLPERT CONSULTANTS</b> 409 E. MONUMENT AVENUE DAYTON, OHIO 45402-1226 (513) 461-5660		3 / 3				
<b>MISCELLANEOUS DETAILS</b>						
BRIDGE NO. HAM-71-0202 OVER INTERSTATE ROUTE 71 HAMILTON COUNTY						
DESIGNED	DRAWN	TRACED	CHECKED	REVIEWED	DATE	REVISED
L.A.T.M.	D.E.E.		M.A.A.	D.E.M11/11/94		





NOTE: SEAL CURBS, SIDEWALKS, PARAPETS, PIERS, AND BACKWALLS. SEAL PIER COMPLETELY EXCEPT FOR T/PIER CAP.



XXX SURFACES TO BE SEALED UNDER ITEM SPECIAL-SEALING OF CONCRETE SURFACES.

**EXISTING STRUCTURE**  
 TYPE: CONTINUOUS STEEL PLATE GIRDER WITH REINFORCED CONCRETE DECK & SUBSTRUCTURE  
 SPAN: VARIES (124.60', 150.48' C/C BRG'S MEASURED ALONG @ GILBERT AVE.(RELOCATED)  
 ROADWAY: 70'-0" F/F CURBS INCL. 4'-0" RAISED MEDIAN W/2'-0" SAFETY CURB N.B. RDWY. & 6'-0" SIDEWALK S.B. RDWY.  
 SKEW: VARIES  
 LOADING FREQUENCY: C.F.=2000 (57)  
 WEARING SURFACE: 1" MONOLITHIC CONCRETE  
 APPROACH SLABS: AS-1-54 (25'-0" LONG)  
 ALIGNMENT: VARIES  
 SUPERELEVATION: VARIES

**WOOLPERT CONSULTANTS**  
 409 E. MONUMENT AVENUE  
 DAYTON, OHIO 45402-1226  
 (513) 461-5660 1/6

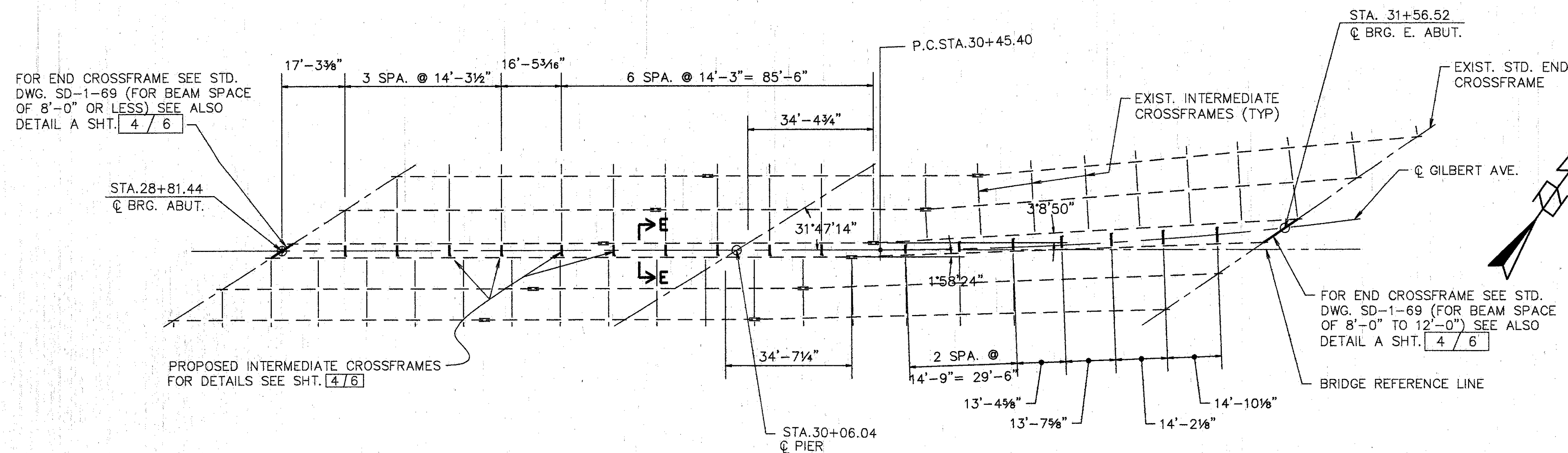
**GENERAL PLAN**

BRIDGE NO. HAM-22-0145 (HAM-71-0214)  
 GILBERT AVENUE

HAMILTON COUNTY

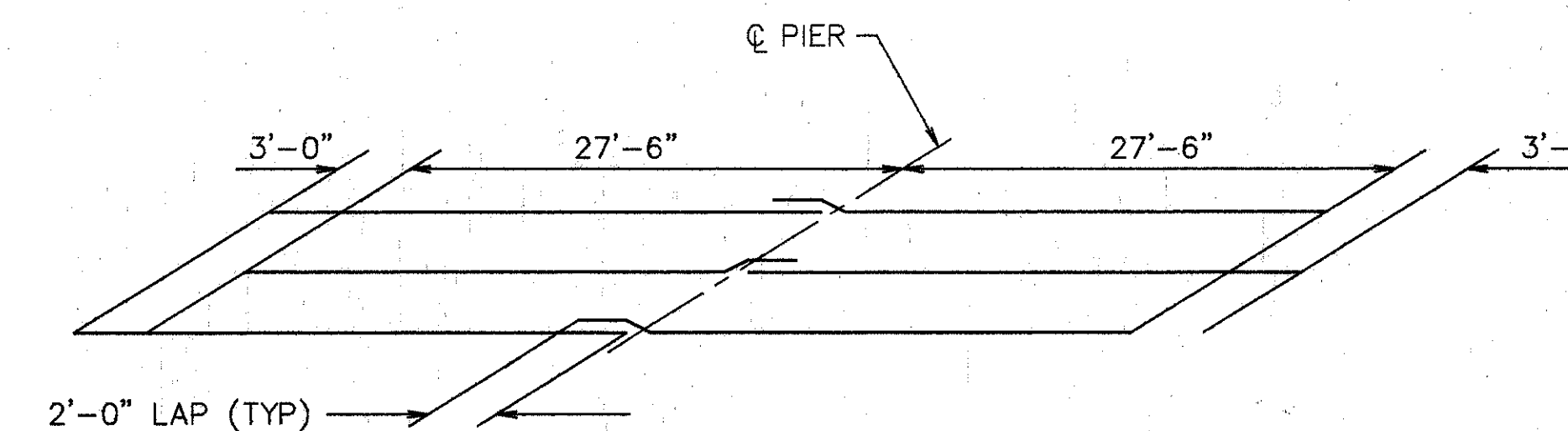
DESIGNED	DRAWN	TRACED	CHECKED	REVIEWED	DATE	REVISED
L.A.T.M.	D.E.E.		M.A.A.	D.E.M11/11/94		

L.A.T.M. JUN 28 1993 4:58 PM  
 C:\STRV\9299-CIV\ANS\ANS22-0145.Lam Plotter By: RACH JUN 2 1992 11:23 AM



**MEDIAN FRAMING PLAN**

NOTE:  
PRIOR TO FABRICATION OF INTERMEDIATE CROSSFRAMES CONTRACTOR SHALL VERIFY LOCATION OF EXISTING STIFFENERS.



**DIAGRAM SHOWING STAGGER OF S608 BARS OVER PIER**

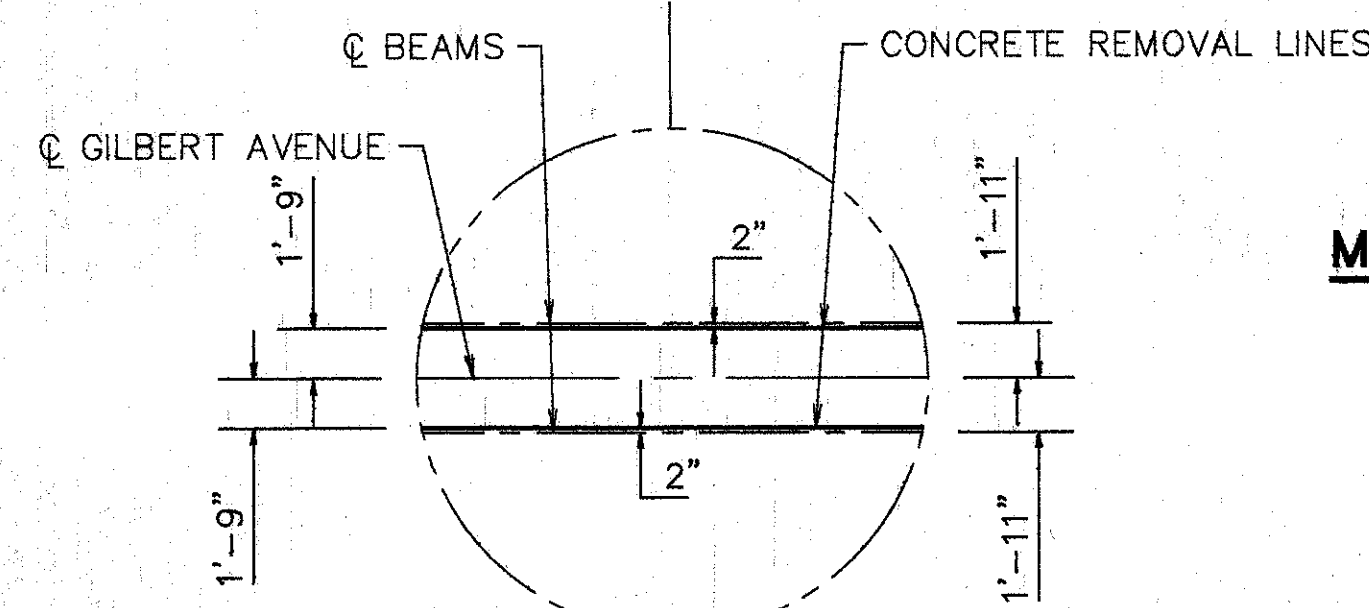
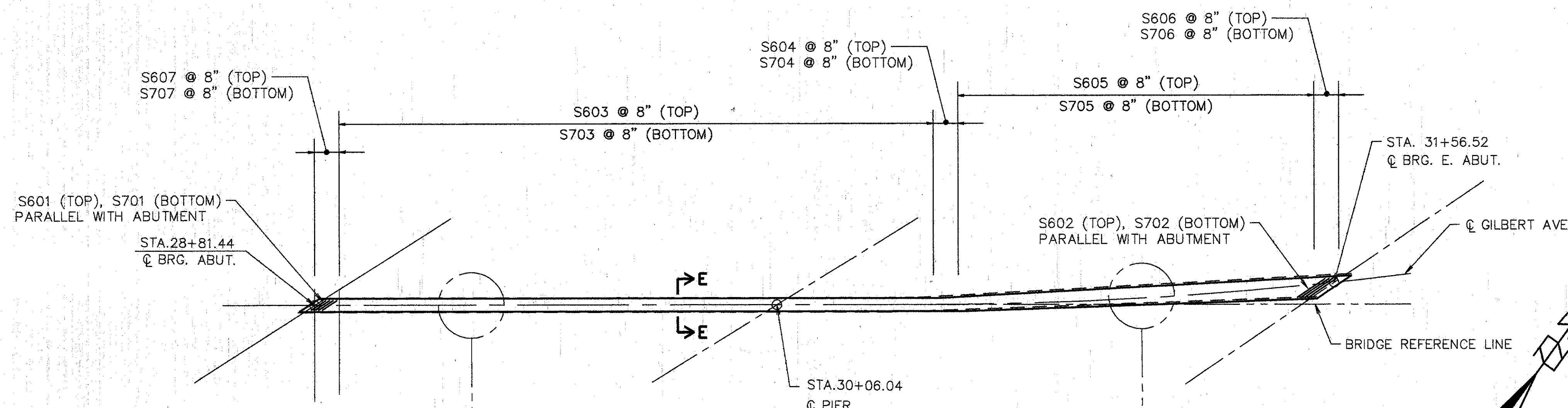
NOTE:

STRUCTURAL STEEL FOR PROPOSED INTERMEDIATE CROSS FRAMES SHALL BE PAID FOR AS ITEM 513, STRUCTURAL STEEL FOR REHABILITATION. STRUCTURAL STEEL UNDER THIS ITEM WILL NOT REQUIRE SHOP DRAWINGS PRIOR TO FABRICATION. THE CONTRACTOR SHALL MAKE NECESSARY MEASUREMENTS AND PREPARE SKETCHES, DRAWINGS, TABLES, ETC. THE ENGINEER SHALL HAVE THE AUTHORITY AND RESPONSIBILITY FOR ENSURING THAT THE FABRICATED STEEL IS ACCEPTABLE. TECHNICAL ASSISTANCE WILL BE PROVIDED ON REQUEST BY THE BUREAU OF BRIDGES. MILL TEST REPORTS AND SHIPPING DOCUMENTS SHALL BE SUBMITTED TO THE ENGINEER FOR REVIEW AND APPROVAL TO ENSURE THAT THE DRAWINGS DEPICT THE STEEL AS ACTUALLY INCORPORATED INTO THE WORK. THE ENGINEER WILL THEN SEND ONE APPROVED SET TO THE BUREAU OF BRIDGES FOR INFORMATION. PAY WEIGHTS SHALL BE COMPUTED IN COMPLIANCE WITH 513 OF THE CONSTRUCTION AND MATERIAL SPECIFICATIONS AND SUBMITTED TO THE ENGINEER FOR HIS REVIEW AND APPROVAL. THE FABRICATOR SHALL FURNISH A 35 MILLIMETER MICROFILM COPY OF EACH SHOP DRAWING, WHICH SHALL BE MOUNTED ON AN APERTURE CARD AS SPECIFIED IN 501.05.

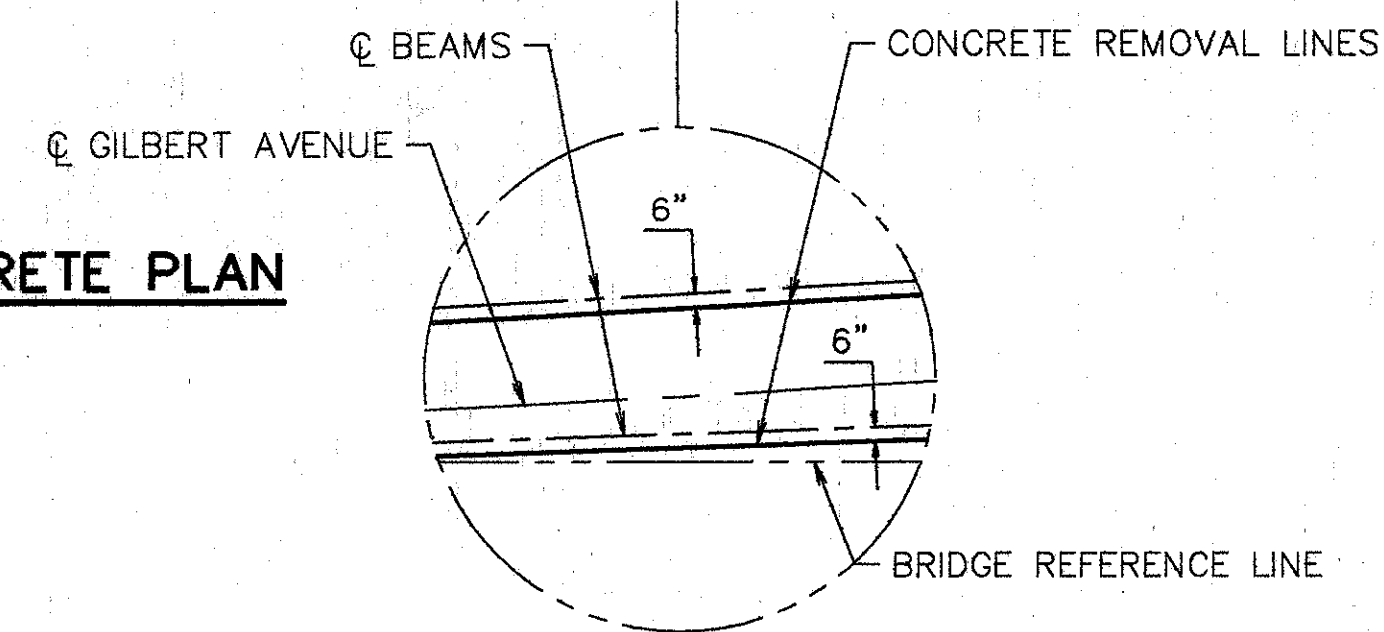
NEW STEEL SHALL BE PAINTED ACCORDING TO PROPOSAL NOTE "FIELD PAINTING OF NEW STEEL, SYSTEM IZEU." COST FOR PAINTING SHALL BE INCLUDED WITH ITEM SPECIAL - PAINTING OF NEW STEEL, SYSTEM IZEU, FOR PAYMENT.

FOR DETAILS NOT SHOWN SEE SHEET 4/6

FOR SECTION E-E SEE SHEET 5/6

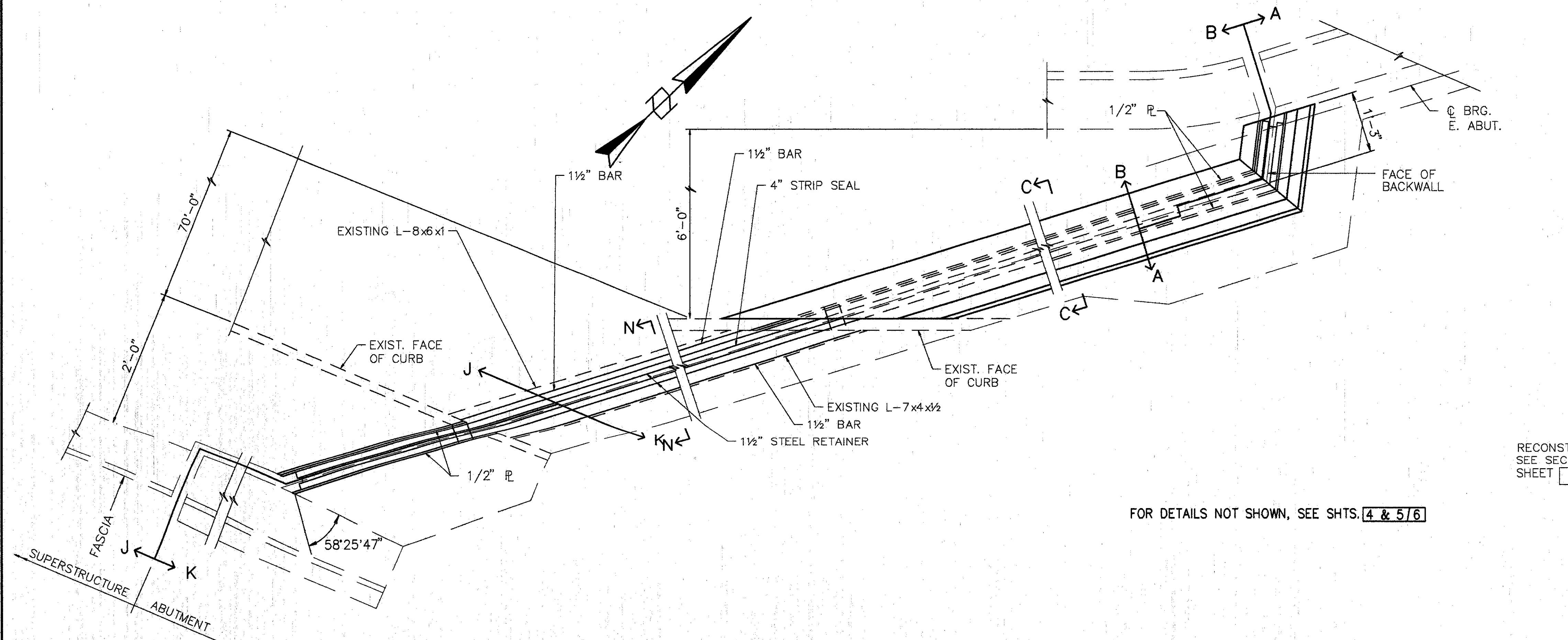


**MEDIAN CONCRETE PLAN**



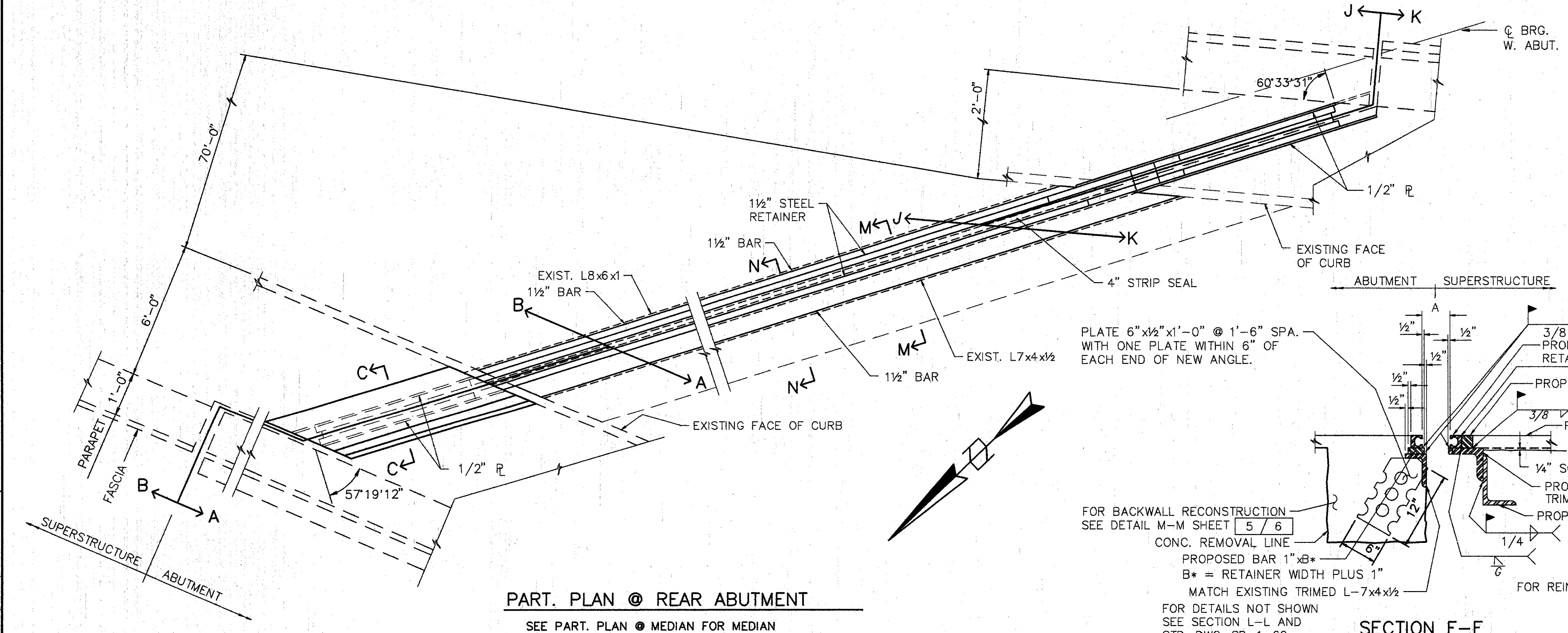
<b>WOOLPERT CONSULTANTS</b> 409 E. MONUMENT AVENUE DAYTON, OHIO 45402-1226 (513) 461-5660		2/6				
<b>MEDIAN PLAN</b>						
BRIDGE NO. HAM-22-0145 (HAM-71-0214) GILBERT AVENUE						
HAMILTON COUNTY						
DESIGNED L.A.T.M.	DRAWN Rach	TRACED	CHECKED M.A.A.	REVIEWED D.E.M.11/11/94	DATE	REVISED





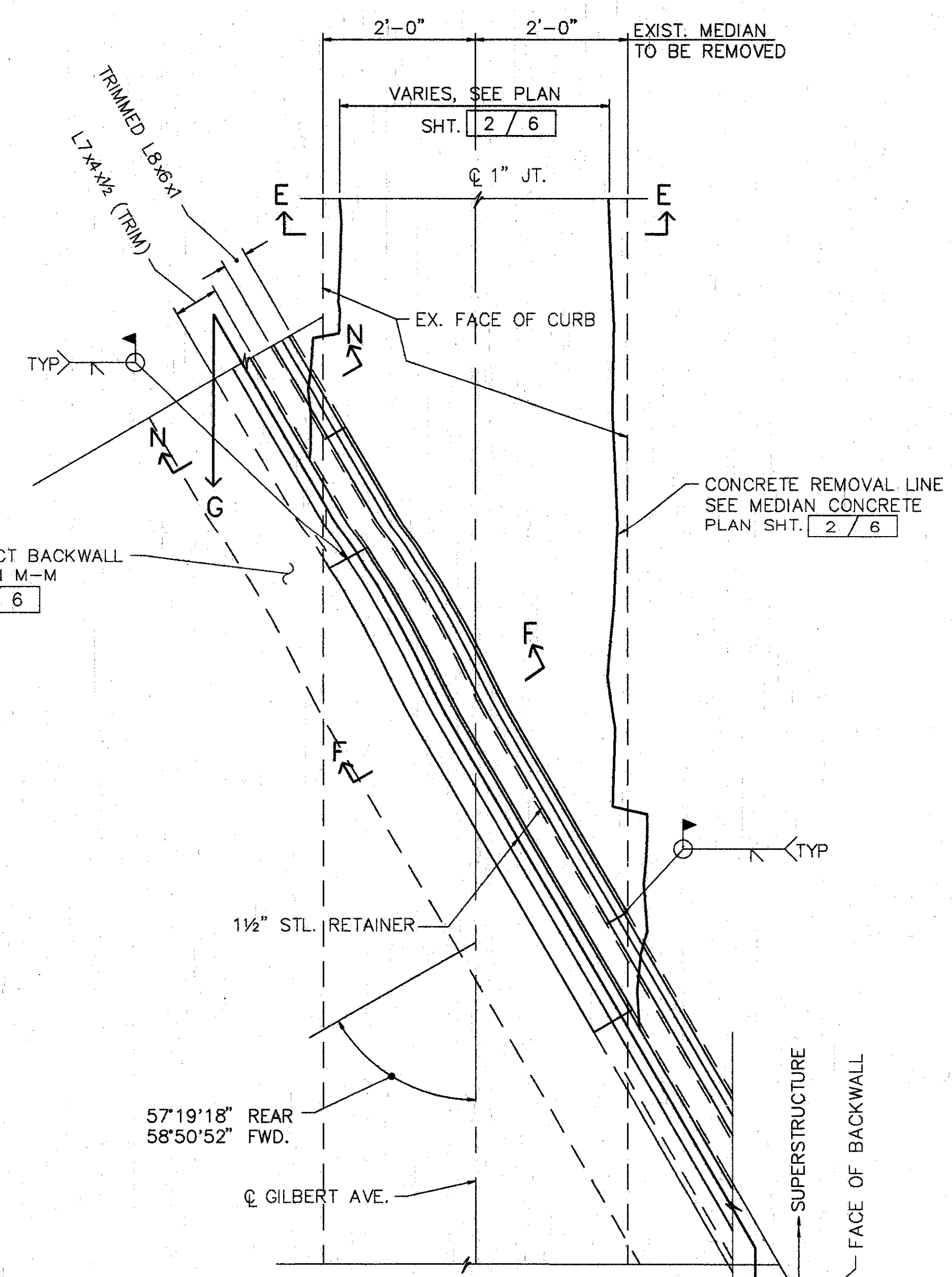
**PART. PLAN @ FWD. ABUTMENT**

SEE PART. PLAN @ MEDIAN FOR MEDIAN AND MEDIAN TREATMENT



**PART. PLAN @ REAR ABUTMENT**

SEE PART. PLAN @ MEDIAN FOR MEDIAN AND MEDIAN TREATMENT



**PART. PLAN MEDIAN @ REAR AND FORWARD ABUTMENTS**

REAR SHOWN, FWD. SIMILAR

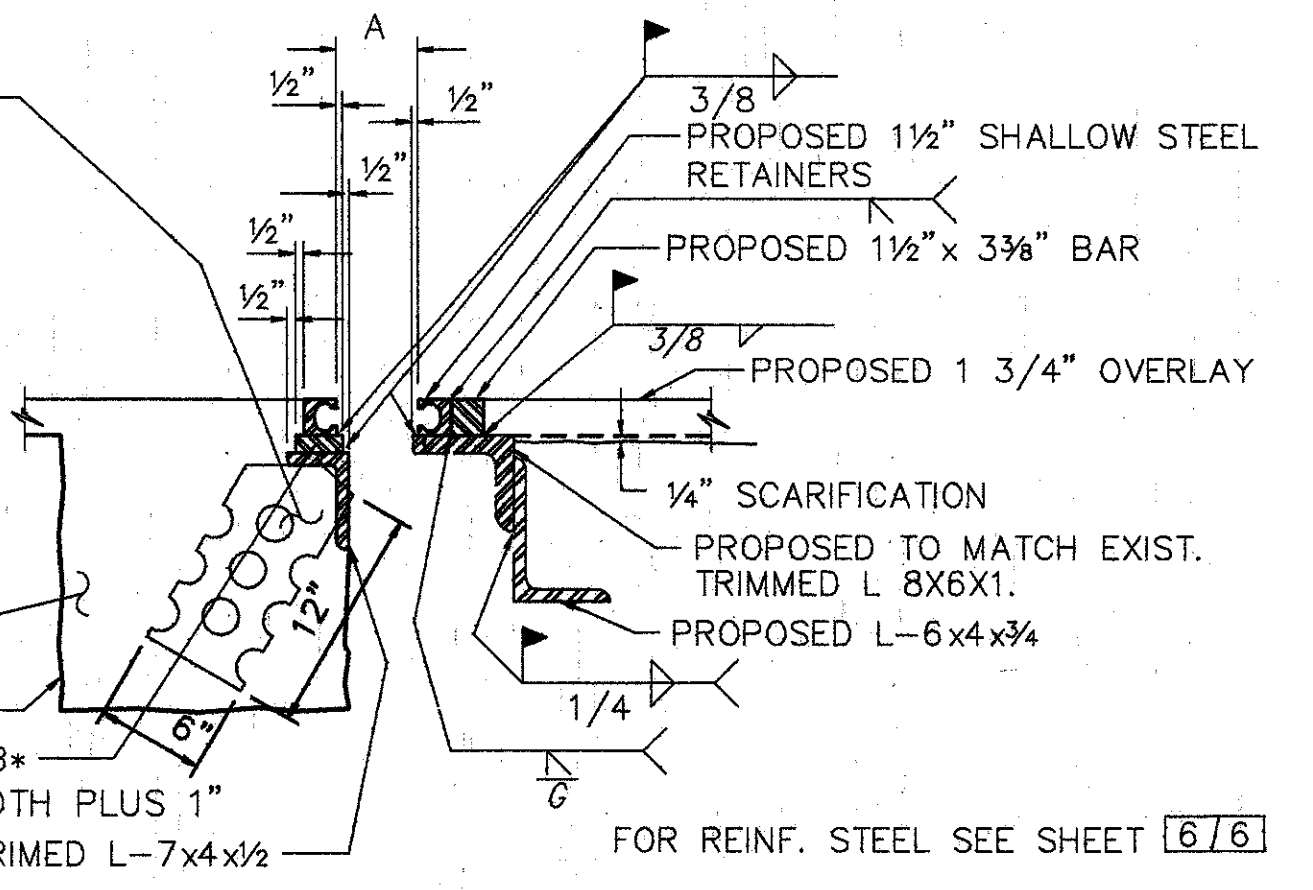
FOR DETAILS NOT SHOWN, SEE SHTS. 4 & 5/6

RECONSTRUCT BACKWALL SEE SECTION M-M SHEET 5/6

**NOTE:**  
 STOP STEEL RETAINER @ EXP. JT. IN ABUTMENT BACKWALL. PROVIDE BUTT JT. (NO WELD).

PLATE 6"x1/2"x1'-0" @ 1'-6" SPA. WITH ONE PLATE WITHIN 6" OF EACH END OF NEW ANGLE.

FOR BACKWALL RECONSTRUCTION SEE DETAIL M-M SHEET 5/6  
 CONC. REMOVAL LINE  
 PROPOSED BAR 1"x8"  
 B\* = RETAINER WIDTH PLUS 1"  
 MATCH EXISTING TRIMMED L-7x4x1/2  
 FOR DETAILS NOT SHOWN SEE SECTION L-L AND STD. DWG. SD-1-69.



**SECTION F-F**

**WOOLPERT CONSULTANTS**  
 409 E. MONUMENT AVENUE  
 DAYTON, OHIO 45402-1226  
 (513) 461-5660

**PART PLANS @ ABUTMENTS**

BRIDGE NO. HAM-22-0145 (HAM-71-0214)  
 GILBERT AVENUE

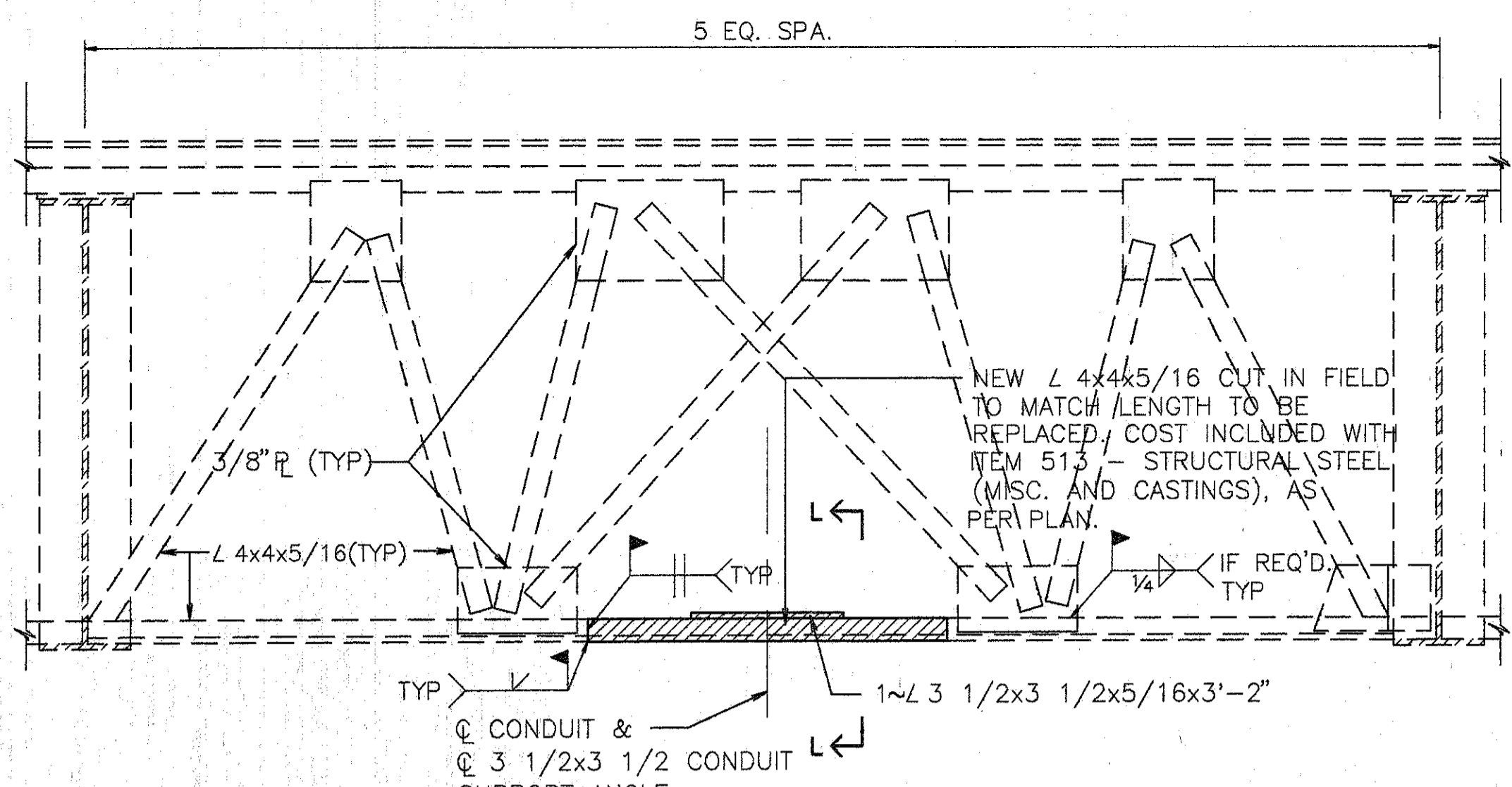
HAMILTON COUNTY

DESIGNED	DRAWN	TRACED	CHECKED	REVIEWED	DATE	REVISED
L.A.T.M.	D.E.E.		M.A.A.	D.E.M1/11/94		

Last Plot: JUN 20 1991 @ 4:58 PM  
 C:\STRV\6596-CV\ASPLAND\OT\ASSRIT3.Lot Revision By: RACH JUN 2 1992 @ 10:36 AM

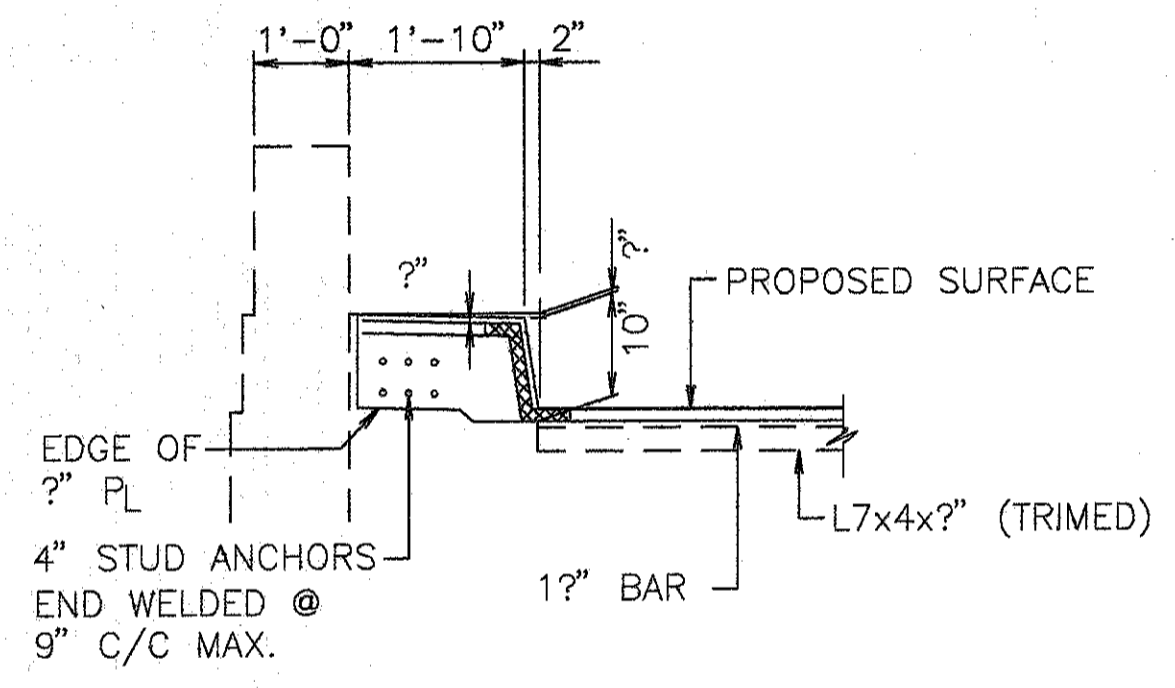




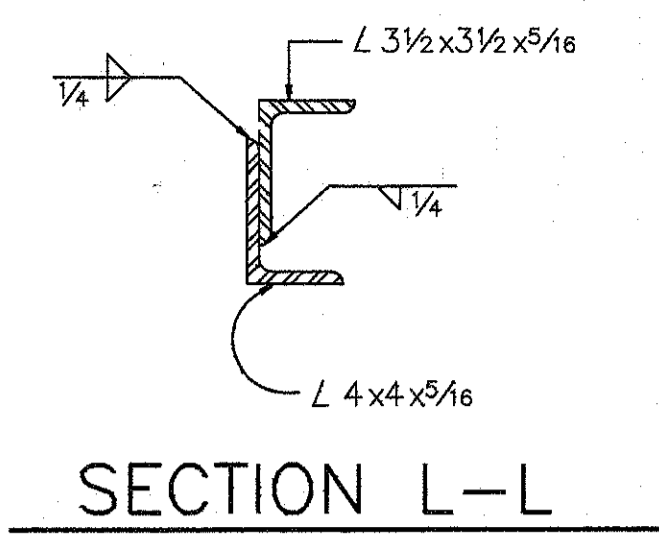


- NOTES:**
- CONTRACTOR IS TO CLEAN BOTTOM ANGLE AND REPLACE LENGTH OF ANGLE AS DIRECTED BY THE ENGINEER. SUPPORT EXIST. CONDUITS AS REQ'D.
  - PREPARE, PRIME, & PAINT BOTTOM ANGLES AS PER PROPOSAL NOTE "FIELD PAINTING OF EXIST. STEEL, USING EPOXY AND URETHANE (EPU)," AT LEAST 2" BEYOND NEW STEEL. ALL WORK TO BE INCLUDED IN PRICE BID FOR ITEM 513 - STRUCTURAL STEEL (MISC. AND CASTINGS), AS PER PLAN.

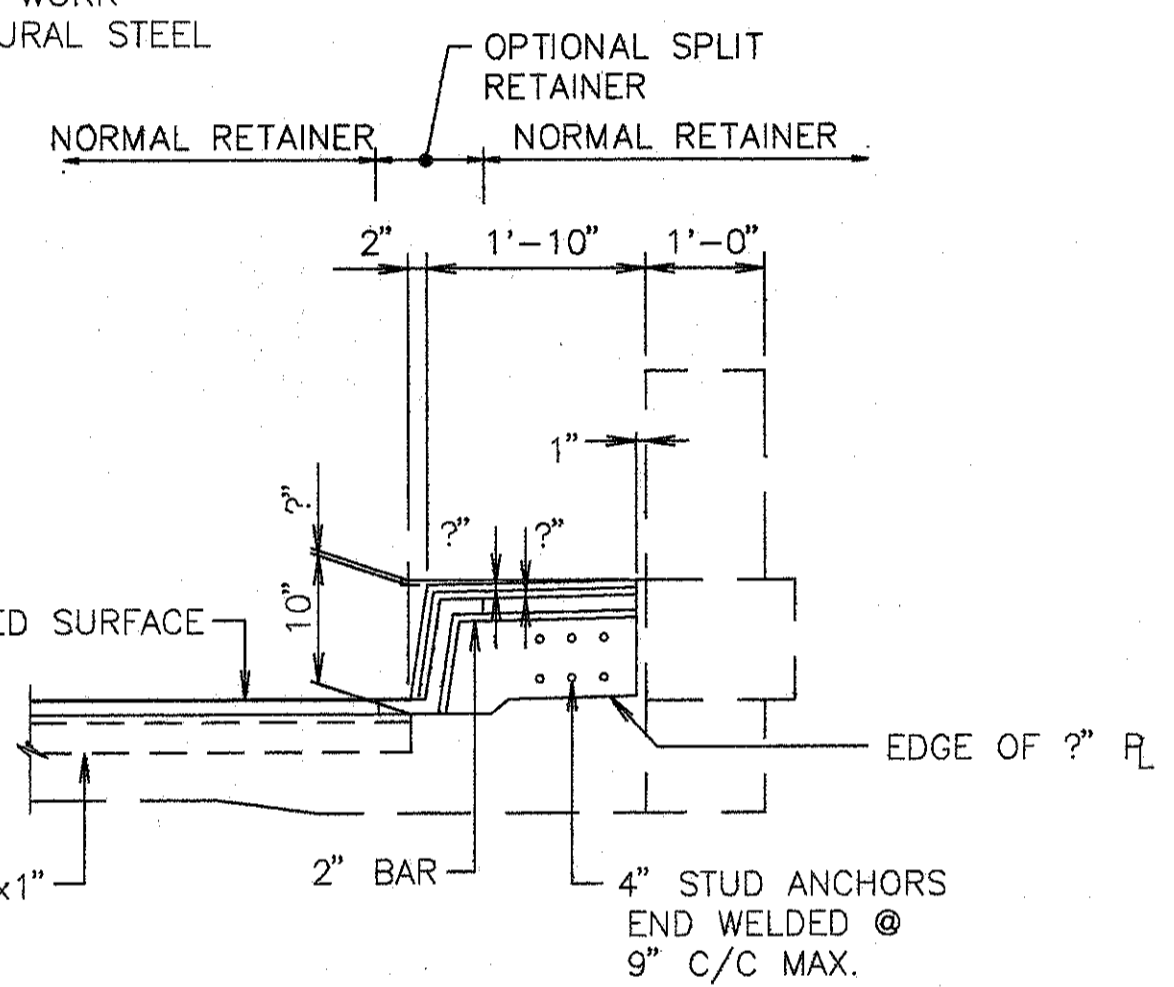
**END CROSSFRAME REPAIR**  
(FORWARD ABUTMENT ONLY)  
(2 TIMES)



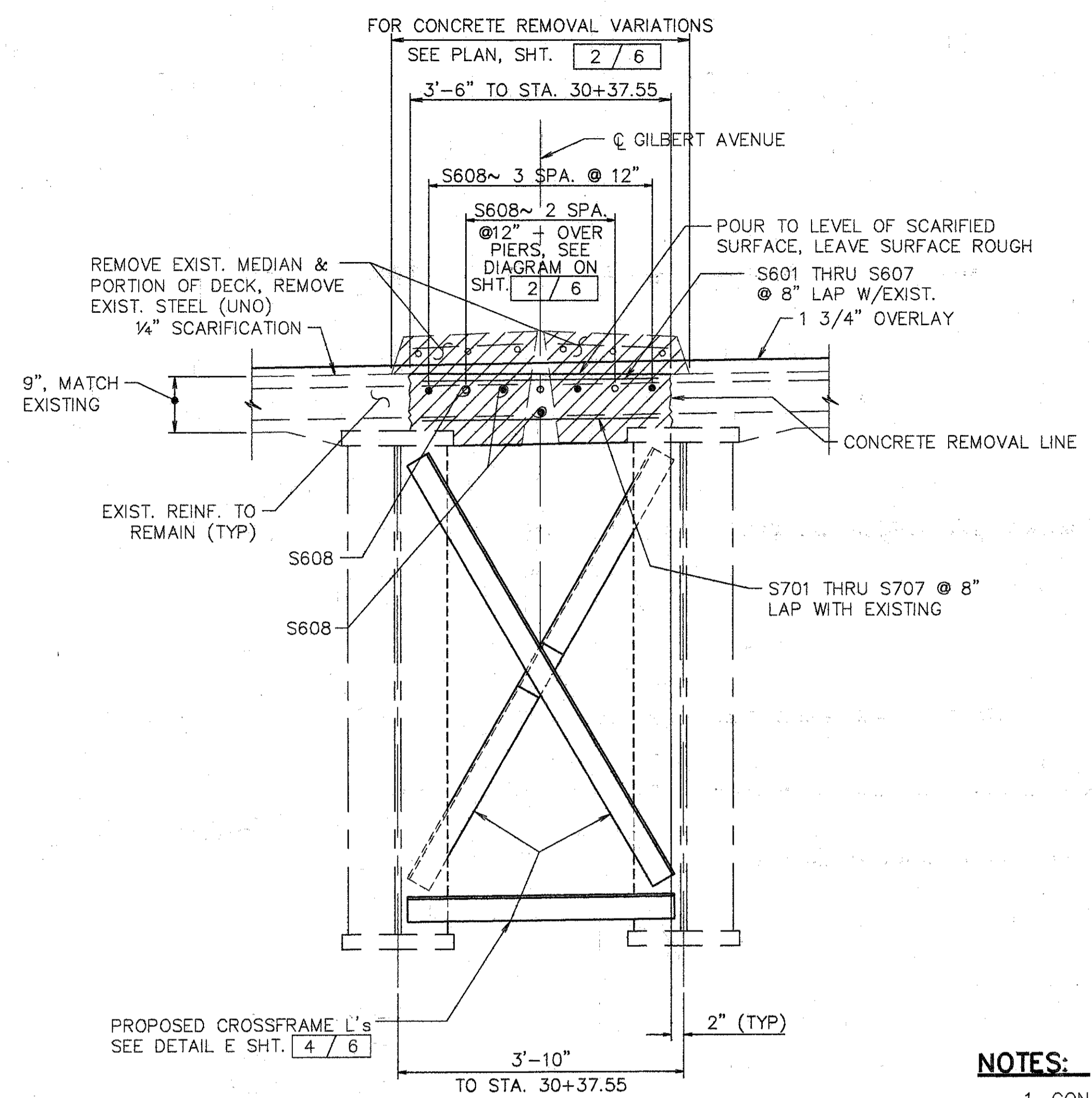
**SECTION K-K**



**SECTION L-L**



**SECTION J-J**



**SECTION E-E**

NOTE: MIN. LAP FOR #6 BAR IS 2'-0"

**CUT LINE JOINT PREPARATION:**  
SAW CUT BOUNDARIES OF PROPOSED CONCRETE REMOVALS 1" DEEP. REMOVE CONCRETE TO A ROUGH SURFACE. WHERE PRACTICABLE, AT LEAST 2'-0" LENGTH OF PROTRUDING REINFORCING STEEL SHALL BE LEFT IN PLACE. INSTALL DOWEL BARS AS SPECIFIED. PRIOR TO CONCRETE PLACEMENT, ABRASIVELY CLEAN JOINT SURFACE AND EXPOSED REINFORCEMENT TO REMOVE LOOSE AND DISINTEGRATED CONCRETE AND LOOSE RUST. THEN, THE JOINT SURFACE AND EXPOSED REINFORCEMENT SHALL BE THOROUGHLY CLEANED OF ALL DIRT, DUST, OR OTHER FOREIGN MATERIAL BY THE USE OF WATER, AIR UNDER PRESSURE, OR OTHER METHODS THAT PRODUCE SATISFACTORY RESULTS. CONCRETE BONDING SURFACES SHALL BE WET WITHOUT FREE WATER AS CONCRETE IS PLACED.

**SUPERSTRUCTURE CONCRETE REMOVAL:**  
CONCRETE REMOVAL SHALL BE BY MEANS OF APPROVED PNEUMATIC HAMMERS EMPLOYING POINTED AND BLUNT CHISEL TOOLS. HYDRAULIC HOE-RAM TYPE HAMMERS WILL NOT BE PERMITTED. THE WEIGHT OF THE HAMMER SHALL NOT BE MORE THAN 35 POUNDS FOR REMOVAL WITHIN 18 INCHES OF PORTIONS TO BE PRESERVED. OUTSIDE THE 18 INCH LIMIT, A HAMMER HEAVIER THAN 35 POUNDS, BUT NOT TO EXCEED 85 POUNDS, MAY BE USED AT THE APPROVAL OF THE ENGINEER. PNEUMATIC HAMMERS SHALL NOT BE PLACED IN DIRECT CONTACT WITH REINFORCING STEEL THAT IS TO BE RETAINED IN THE REBUILT STRUCTURE.

**NOTES:**

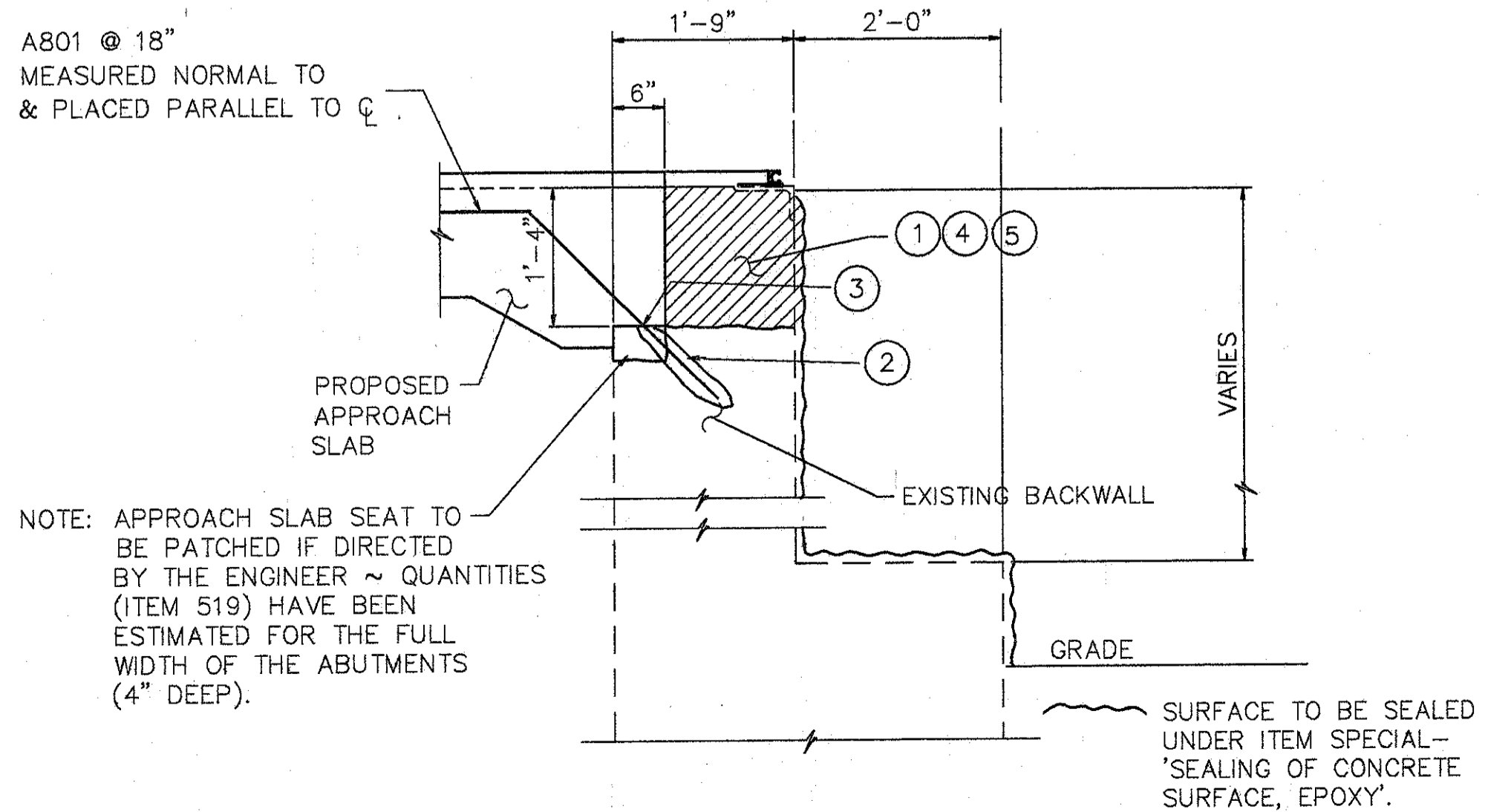
- CONTRACTOR TO VERIFY ALL DIMENSIONS PRIOR TO MODIFYING THE EXPANSION JOINT.
- THE PRICE BID FOR ITEM 516-'STRUCTURAL EXPANSION JOINTS, INCLUDING ELASTOMERIC STRIP SEALS', SHALL INCLUDE ALL LABOR, MATERIALS, EQUIPMENT, AND ANY OTHER INCIDENTAL ITEMS, AS DETAILED. REMOVAL OF CURB OR PARAPET AS SHOWN SHALL BE INCLUDED UNDER ITEM 202-'PORTIONS OF STRUCTURE REMOVED'.
- FOR DETAILS NOT SHOWN REFER TO DRAWING EXJ-4-87 SHEETS 3 AND 4.
- STRIP SEAL TO BE INSTALLED IN ONE CONTINUOUS PIECE (NO OPEN JOINTS).
- PROVIDE TEMPORARY SUPPORT FOR ABUTMENT END DAM DURING CONSTRUCTION. REMOVE TEMPORARY SUPPORT AS SOON AS CONCRETE HAS SET, PREFERABLY WITHIN TWO HOURS AFTER PLACING TO AVOID DAMAGE DUE TO EXPANSION AND CONTRACTION OF SUPERSTRUCTURE.

**NOTES FOR SECTION M-M**

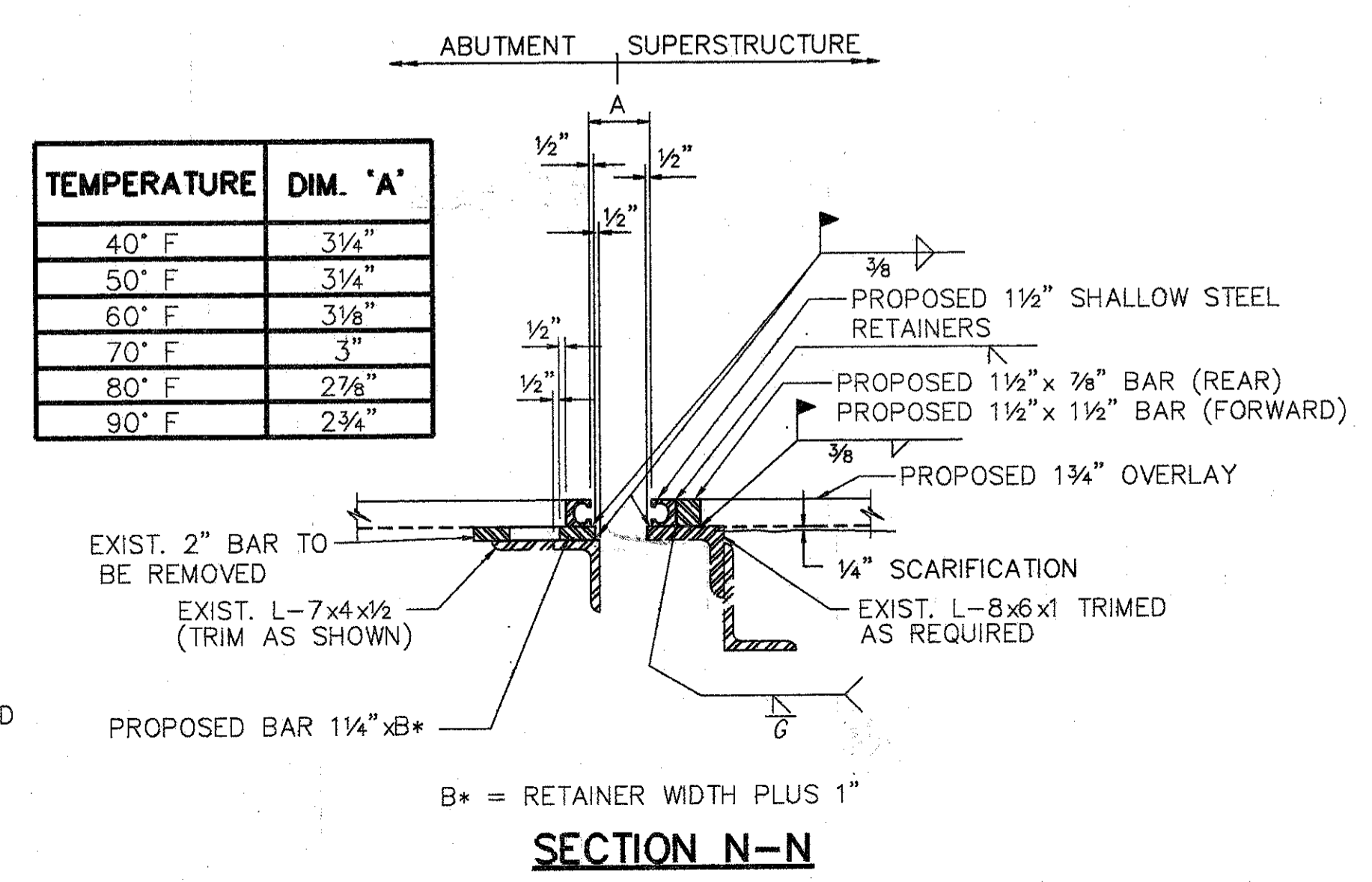
- EXISTING REINFORCING STEEL TO REMAIN ~ REINFORCING STEEL DAMAGED TO BE REPLACED AT CONTRACTORS EXPENSE.
- 1' MIN. EMBEDMENT (SEE DOWEL HOLE GENERAL NOTE) ITEM 510.
- TYPE 'A' WATERPROOFING (PAYMENT INCLUDED IN THE PRICE BID FOR APPROACH SLAB).
- CLASS 'C' CONCRETE, ABUTMENT RECONSTRUCTION.
- PROVIDE CONTRACTION AND EXPANSION JOINTS TO MATCH THOSE IN EXISTING BACKWALL AND PROVIDE CONSTRUCTION JOINTS AS REQUIRED TO MAINTAIN TRAFFIC. PAYMENT TO BE INCLUDED IN PRICE BID FOR ITEM 511 CLASS C CONCRETE RECONSTRUCTION.
- PROVIDE TEMPORARY SUPPORT FOR END DAM ANGLE AT ABUTMENT DURING CONSTRUCTION. REMOVE TEMPORARY SUPPORT AS SOON AS CONCRETE HAS SET, PREFERABLY WITHIN 2HRS. AFTER PLACING TO AVOID DAMAGE DUE TO EXPANSION AND CONTRACTION OF SUPERSTRUCTURE.

EXISTING CONCRETE TO BE REMOVED INCLUDE IN ITEM 202 FOR PAYMENT.

SURFACE TO BE SEALED UNDER ITEM SPECIAL- 'SEALING OF CONCRETE SURFACE, EPOXY'.



**SECTION M-M**



**SECTION N-N**

**WOOLPERT CONSULTANTS**  
409 E. MONUMENT AVENUE  
DAYTON, OHIO 45402-1226  
(513) 461-5660

**MISCELLANEOUS DETAILS**

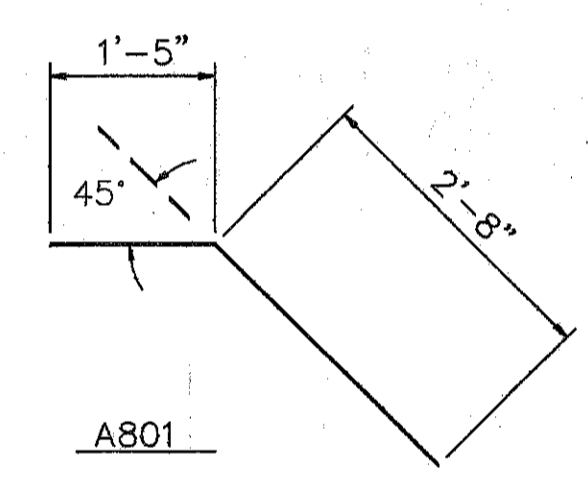
BRIDGE NO. HAM-22-0145 (HAM-71-0214)  
GILBERT AVENUE

HAMILTON COUNTY

DESIGNED	DRAWN	TRACED	CHECKED	REVIEWED	DATE	REVISED
L.A.T.M.	D.E.E.		M.A.A.	D.E.M	11'11'94	

L.M. 20, 1991 @ 5:00 PM  
 © STRAUBER, COVASSI AND ASSOCIATES, L.L.C. MAY 15, 1994 @ 10:03 AM

REINFORCING STEEL LIST				
MARK	SHAPE	NUMBER	LENGTH	WEIGHT
S601	STR.	4	6'-3"	38
S602	STR.	4	18'-0"	108
S603	STR.	250	3'-4"	1252
S604	STR.	10	3'-4" TO 3'-8"	53
S605	STR.	145	3'-8" TO 5'-8"	1017
S606	STR.	7	1'-4" TO 5'-1"	34
S607	STR.	3	1'-4" TO 2'-8"	9
S608	STR.	56	30'-0"	2523
S701	STR.	4	6'-3"	51
S702	STR.	4	18'-0"	147
S703	STR.	250	3'-4"	1703
S704	STR.	10	3'-4" TO 3'-8"	72
S705	STR.	145	3'-8" TO 5'-8"	1384
S706	STR.	7	1'-4" TO 5'-1"	46
S707	STR.	3	1'-4" TO 2'-8"	12
A801	BNT.	96	4'-0"	1025
				9474
REPLACEMENT STEEL				600
TOTAL				10074




ITEM	ITEM EXT.	TOTAL	UNITS	DESCRIPTION
202	11200	LUMP SUM	L.S.	PORTIONS OF STRUCTURES REMOVED
<del>513</del>	<del>21000</del>	<del>13</del>	<del>EACH</del>	<del>TRIMMING OF BEAM END</del>
509	15820	10074	LBS.	EPOXY COATED REINFORCING STEEL, GRADE 60
510	12201	96	L.F.	DOWEL HOLES AS PER PLAN
511	34400	38	C.Y.	CLASS S CONCRETE, SUPERSTRUCTURE (RECONSTRUCTION) *
511	45700	19	C.Y.	CLASS C CONCRETE, ABUTMENT (RECONSTRUCTION)
SPECIAL	51267500	1319	S.Y.	SEALING OF CONCRETE SURFACE *
SPECIAL	51267502	1035	S.Y.	SEALING OF CONCRETE SURFACE (EPOXY) *
<del>516</del>	<del>14600</del>	<del>50</del>	<del>L.F.</del>	<del>STRUCTURAL JOINT OR JOINT SEALER, MISC.: 2" x 4" SEALER, AS PER PLAN</del>
513	15501	300	LBS.	STRUCTURAL STEEL (MISC. AND CASTING), AS PER PLAN
513	16000	5800	LBS.	STRUCTURAL STEEL FOR REHABILITATION
<del>514</del>	<del>00610</del>	<del>5800</del>	<del>LBS.</del>	<del>FIELD PAINTING OF NEW STEEL, SYSTEM IZEU*</del>
514	27704	LUMP	L.S.	FIELD PAINTING, MISC: EXISTING STEEL, EEU *
<del>516</del>	<del>45304</del>	<del>20</del>	<del>EACH</del>	<del>REFURBISH BEARING DEVICE</del>
516	10000	30	L.F.	PREFORMED ELASTOMERIC COMPRESSION JOINT SEAL (705.11)
<del>516</del>	<del>14600</del>	<del>100</del>	<del>L.F.</del>	<del>SEAL JOINT BETWEEN ABUTMENT AND CONCRETE SLOPE PROTECTION</del>
516	11210	320	L.F.	STRUCTURAL EXP. JT., INCLUDING ELASTOMERIC STRIP SEAL
<del>516</del>	<del>45307</del>	<del>1</del>	<del>EACH</del>	<del>REFURBISH BEARING DEVICE, AS PER PLAN</del>
518	12800	3	EACH	SCUPPER MODIFICATION
519	11100	235	S.F.	PATCHING CONCRETE STRUCTURE
SPECIAL	51912600	32	L.F.	CONCRETE REPAIR BY EPOXY INJECTION *
<del>845</del>	<del>40210</del>	<del>1976</del>	<del>S.Y.</del>	<del>LATEX MODIFIED CONCRETE OVERLAY (1 3/4" THICK) ON EXISTING DECK</del>
<del>845</del>	<del>11000</del>	<del>81</del>	<del>C.Y.</del>	<del>LATEX MODIFIED CONCRETE OVERLAY (VARIABLE THICKNESS)</del>
<del>845</del>	<del>30000</del>	<del>2</del>	<del>C.Y.</del>	<del>FULL DEPTH REPAIR</del>
518	63300	LUMP	L.S.	SCUPPER AND DRAINAGE PIPE CLEANOUT
601	21100	4	S.Y.	REPAIR CONCRETE SLOPE PROTECTION

PROPOSED WORK

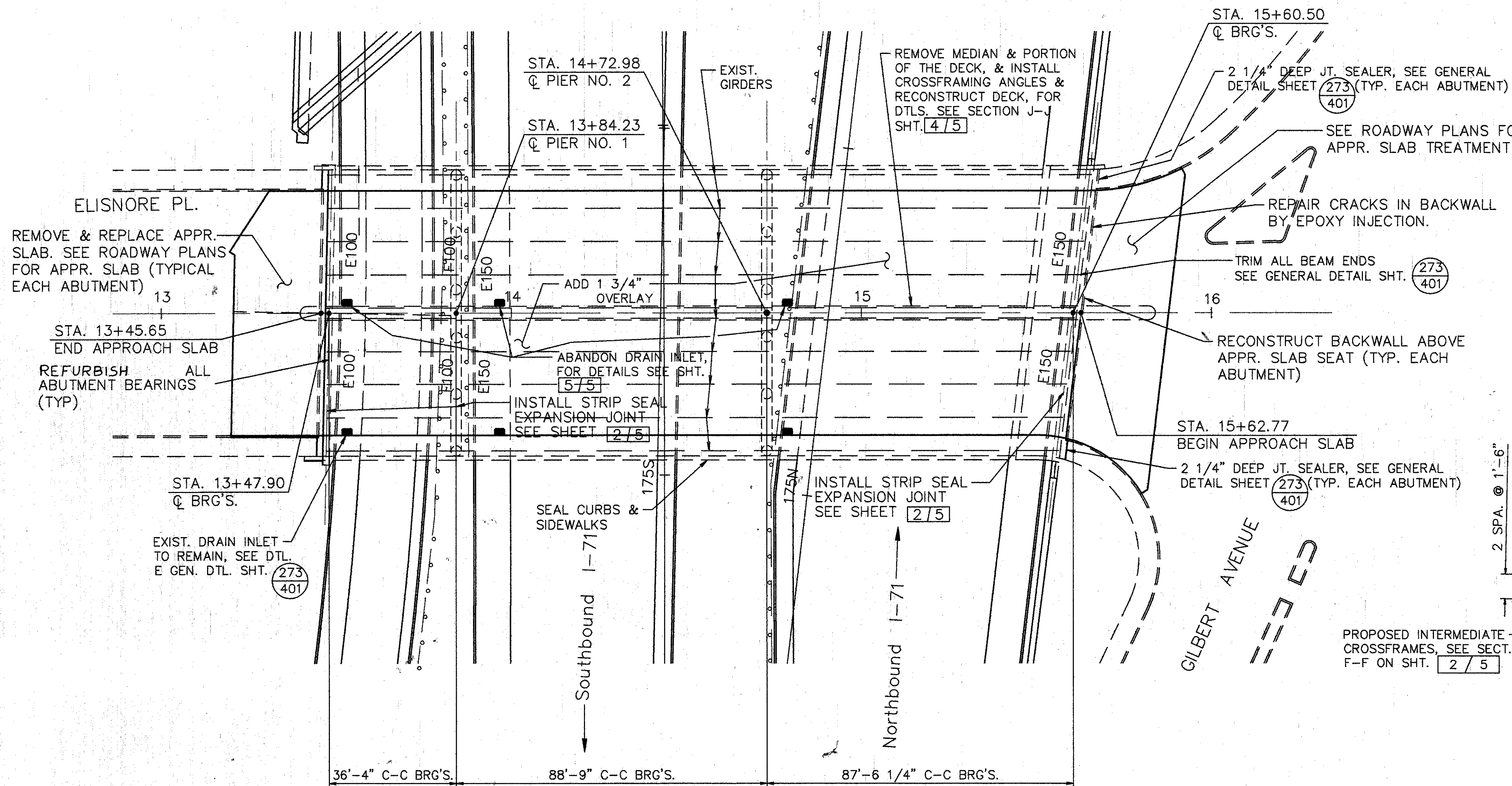
- SCARIFY EXISTING DECK 1/4" AND REMOVE DETERIORATED CONCRETE AS DIRECTED BY ENGINEER. (REMOVE LOOSE END DAM MATERIAL)
- REMOVE CONCRETE MEDIAN AND PORTION OF THE BRIDGE DECK. PLACE CROSSFRAME ANGLES AND RECONSTRUCT DECK.
- PLACE 1 3/4" THICK LATEX MODIFIED CONCRETE ON DECK.
- SEAL CURBS, PARAPETS, SIDEWALKS, PIERS, AND BACKWALLS.
- RECONSTRUCT BACKWALLS ABOVE APPROACH SLAB SEAT. PATCH APPROACH SLAB SEAT IF DIRECTED BY THE ENGINEER.
- SEAL TRANSVERSE EXPANSION JOINTS WITH STRIP SEAL.
- REPAIR BOTTOM CROSSFRAME ANGLES BETWEEN BEAMS 7 AND 8 AND BEAMS 8 AND 9 AT EAST ABUTMENT (FORWARD).
- REFURBISH ALL ABUTMENT BEARINGS.
- AT LEAST ONE LANE OF TRAFFIC SHALL BE MAINTAINED IN EACH DIRECTION AND ON THE BRIDGE AT ALL TIMES. FOR NOTES SEE MAINTENANCE OF TRAFFIC PLANS. MAINTENANCE OF TRAFFIC PLANS REQUIRES CONSTRUCTION PHASING LIMITS AT LANE CENTERLINES. DUE TO THESE LIMITS, OVERLAY AND ABUTMENT BACKWALL RECONSTRUCTION MAY REQUIRE SPECIAL ATTENTION.
- OTHER WORK AS DESCRIBED IN THESE PLANS.

\* SEE PROPOSAL NOTE

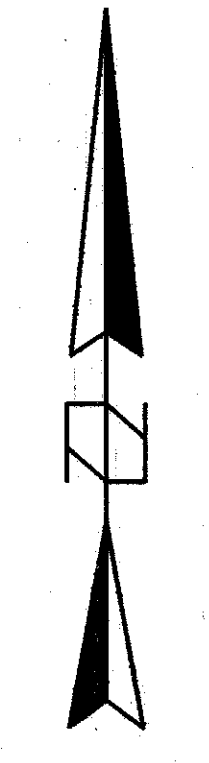
Lot Plot JUN. 20, 1991 @ 5:09 PM  
 C:\STR\9459-CV\SHLAND\045591B.Cad Revision By: RACH MAY 15, 1994 @ 8:25 AM

 <b>WOOLPERT CONSULTANTS</b> 409 E. MONUMENT AVENUE DAYTON, OHIO 45402-1226 (513) 461-5660		6 / 6				
<b>QUANTITIES AND GENERAL NOTES</b> BRIDGE NO. HAM-22-0145 (HAM-71-0214) GILBERT AVENUE HAMILTON COUNTY						
DESIGNED	DRAWN	TRACED	CHECKED	REVIEWED	DATE	REVISED
L.A.T.M.	D.E.E.		M.A.A.	D.E.M11/11/94		



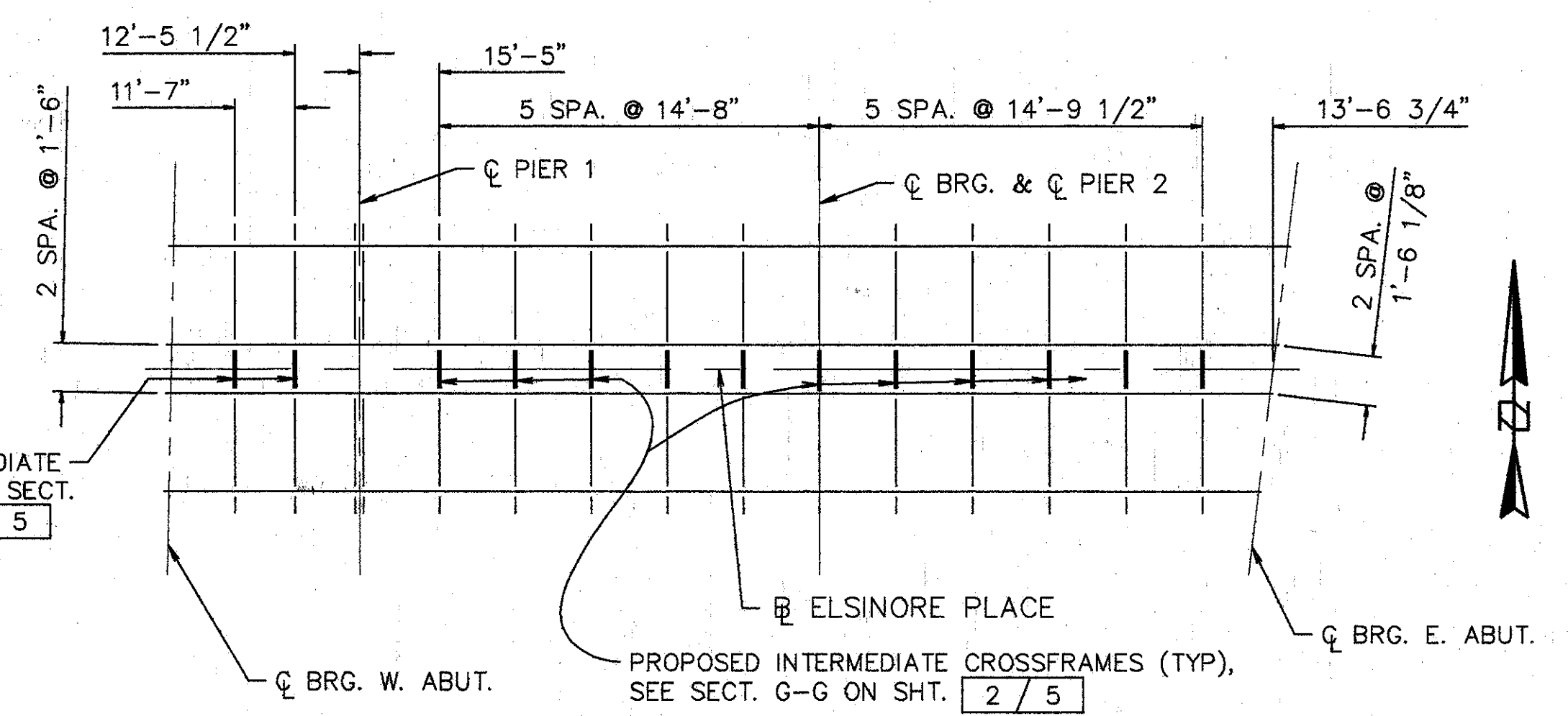


**PLAN**

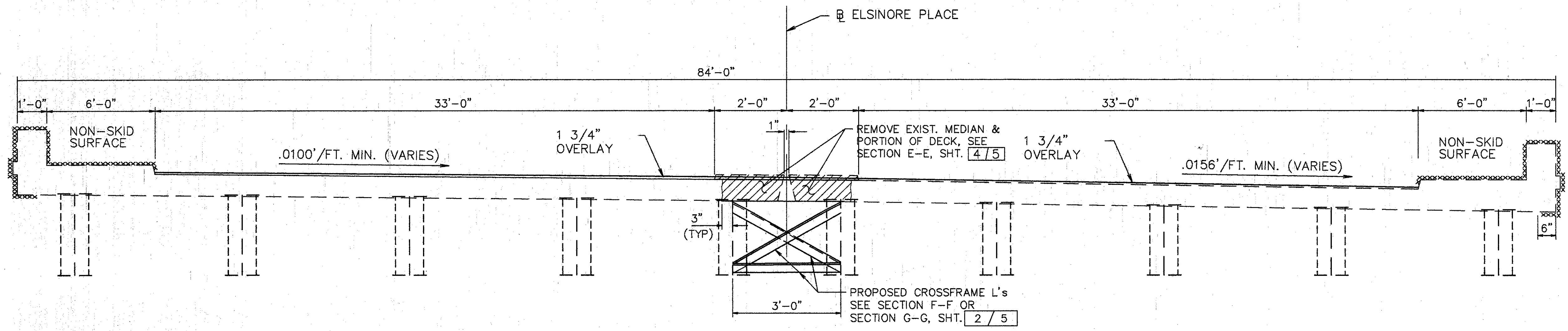


- NOTES:
1. SEAL CURBS, SIDEWALKS, PARAPETS, BACKWALLS, PIERS. SEAL PIER 1 COMPLETELY WITH EPOXY SEALER, EXCEPT 1/4 OF THE COLUMN CIRCUMFERENCE AWAY FROM THE DIRECTION OF TRAFFIC. SEAL PIER 2 COMPLETELY EXCEPT FOR THE TOP OF PIER CAP.
  2. MODIFY DRAINAGE PIPING, SEE DETAILS SHT. 5/5

FIXED OR SLIDING R SIZE	JACK CAPACITY REQ'D. (MIN.)
E100	75 TON
E150	125 TON
F150	125 TON



**FRAMING PLAN**



**TYP. BRIDGE SECTION**

xxx SURFACES TO BE SEALED UNDER ITEM SPECIAL-SEALING OF CONCRETE SURFACES.

**EXISTING STRUCTURE**

TYPE: SIMPLE SPAN STEEL BEAM (SPAN 1) AND CONT. PLATE GIRDER (SPANS 2 & 3) W/REINF. CONCRETE DECK AND SUBSTRUCTURE  
 SPANS: 36'-4", 88'-9", 87'-6 1/4" C-C BRG'S (MEASURED ALONG BASELINE)  
 ROADWAY: 33'-0" F-F CURBS W/ 4'-0" MEDIAN AND TWO 6'-0" SIDEWALKS  
 SKEW: VARIES, SEE PLAN.  
 LOADING FREQUENCY: C.F.=2000 (57)  
 WEARING SURFACE: 1" MONOLITHIC CONCRETE  
 APPROACH SLABS: AS-1-54 (25'-0" LONG)  
 ALIGNMENT: TANGENT  
 SUPERELEVATION: VARIES

**WOOLPERT CONSULTANTS**  
 409 E. MONUMENT AVENUE  
 DAYTON, OHIO 45402-1226  
 (513) 461-5660

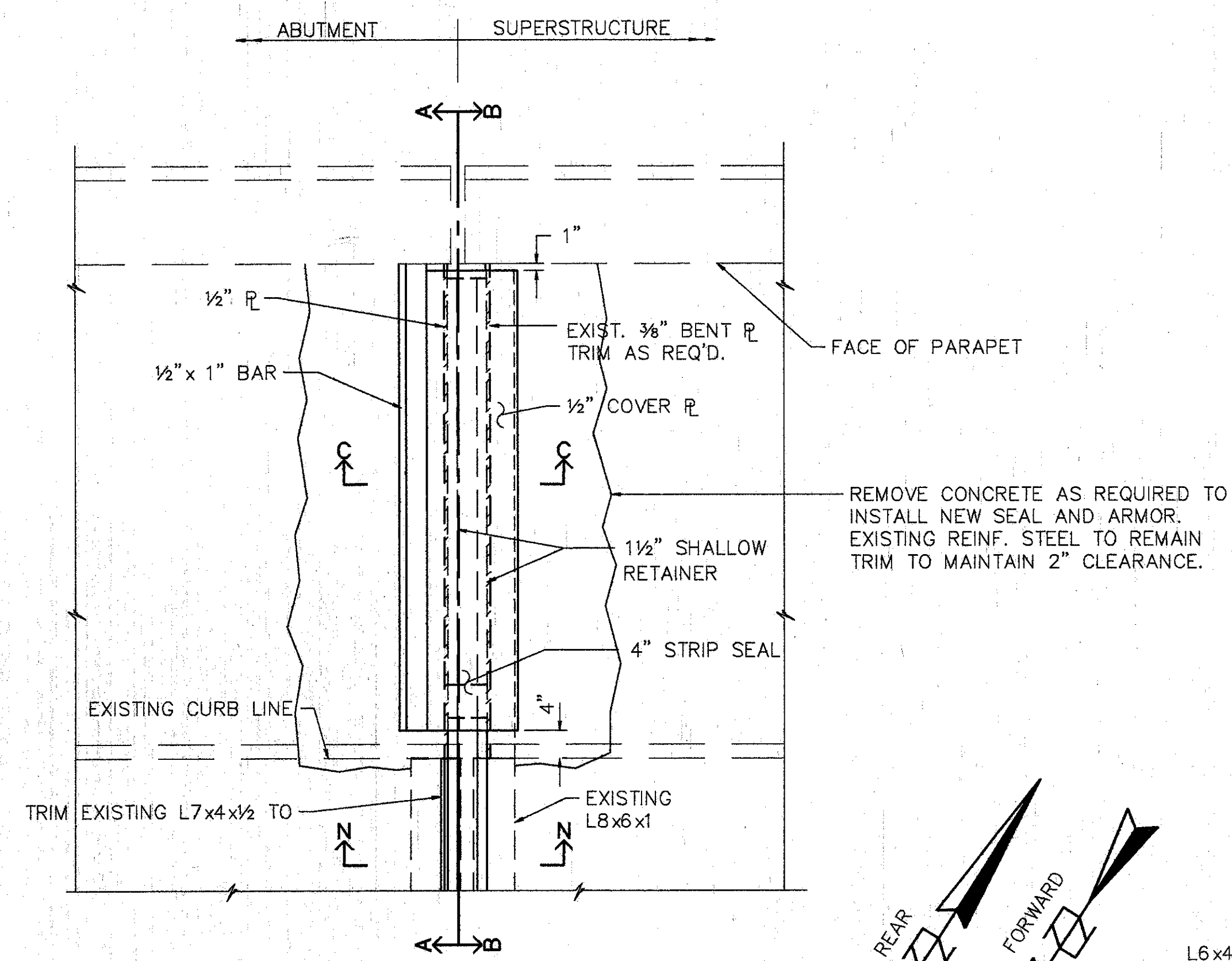
**GENERAL PLAN**

BRIDGE NO. HAM-71-0221 ELSINORE AVE.  
 OVER INTERSTATE ROUTE 71

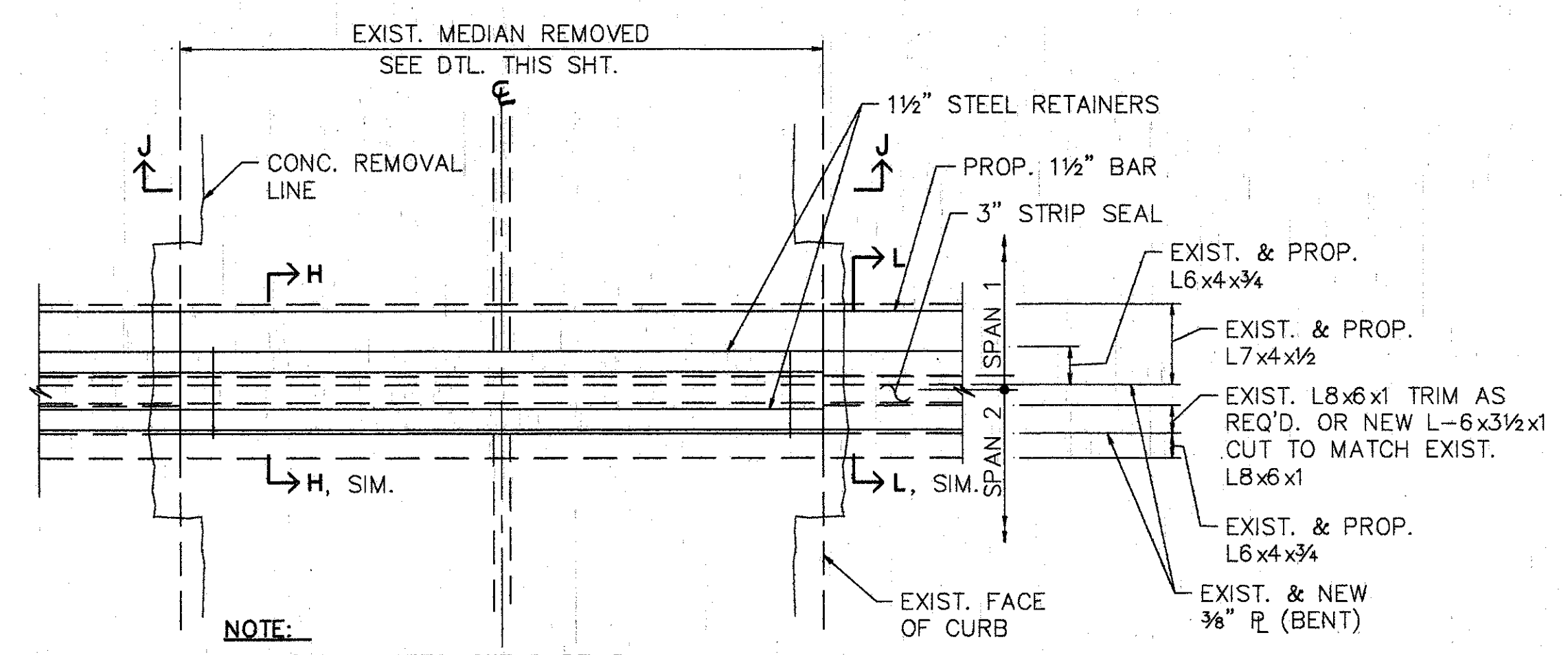
HAMILTON COUNTY

DESIGNED	DRAWN	TRACED	CHECKED	REVIEWED	DATE	REVISED
L.A.T.M.	R.M.R.		M.A.A.	D.E.M11/11/94		

Lett Plot: JUN 20 1994 @ 5:10 PM  
 & XREF: 6598-CV-SHAW-VI-0221 Lett Revision Bk: BACH MAY 18, 1994 @ 8:21 AM

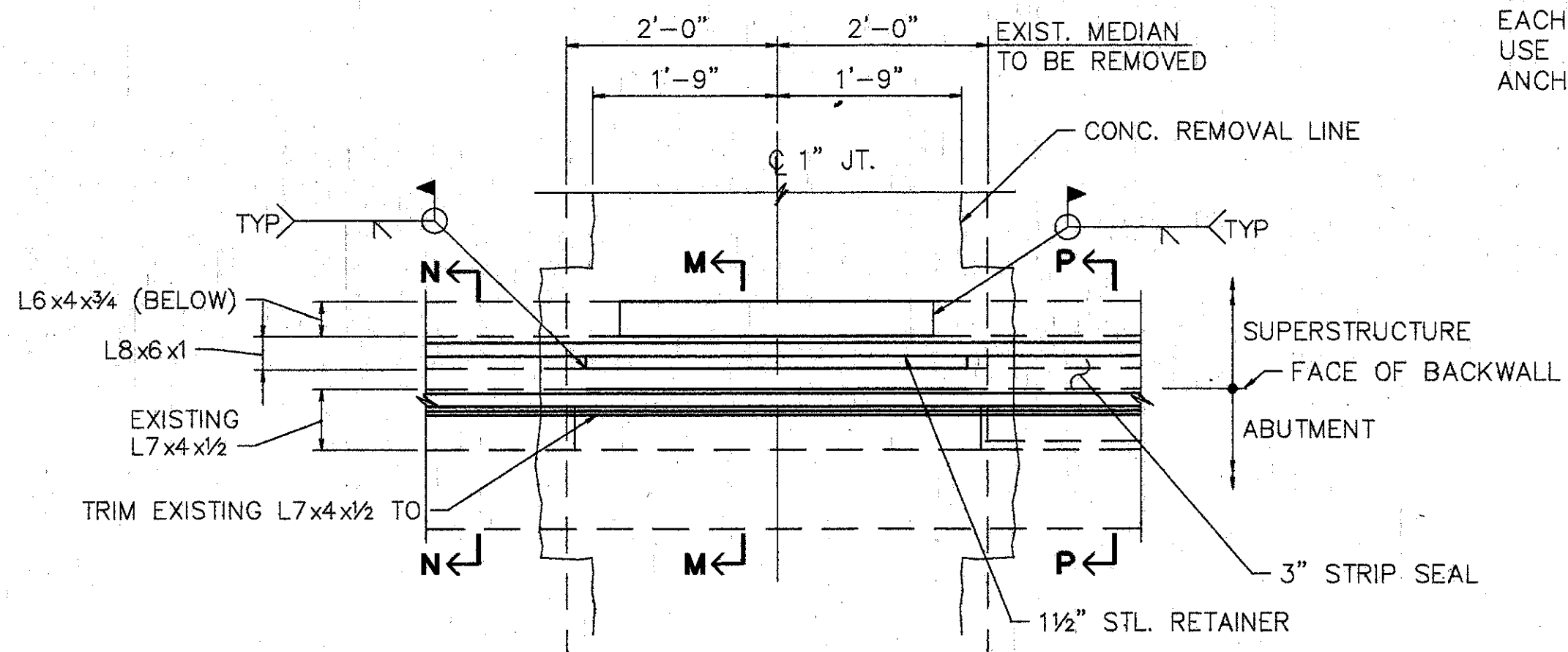


**PART PLAN SIDEWALK @ REAR ABUTMENT**  
 (LEFT SIDEWALK SHOWN, RIGHT SIDEWALK OPPOSITE HAND)  
 (SKEW = 1°07'09" LEFT FORWARD)

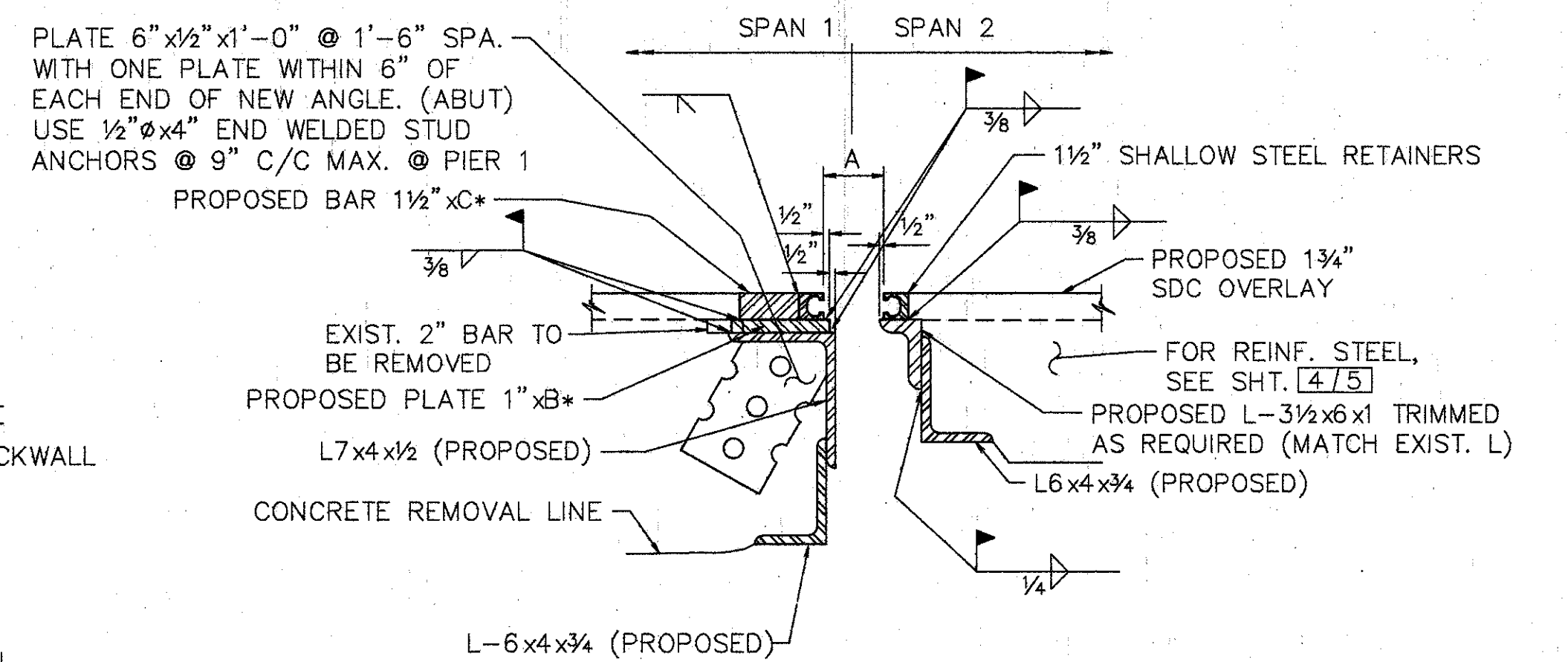


**PART. PLAN MEDIAN @ PIER 1**  
 (SKEW = NONE)

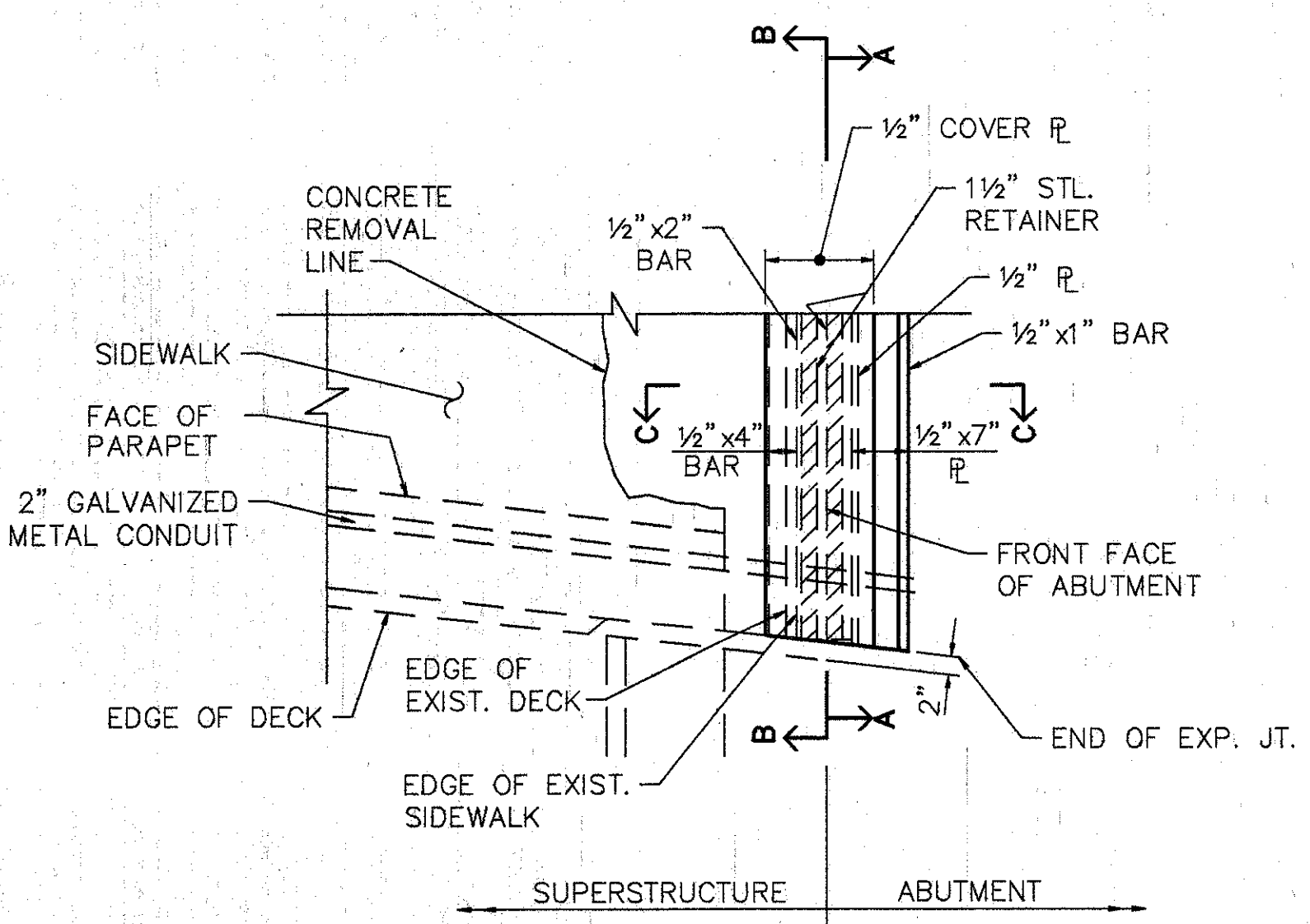
**PART. PLAN SIDEWALK @ PIER 1**  
 (RIGHT SIDEWALK SHOWN, LEFT SIDEWALK OPPOSITE HAND) (SKEW = NONE)



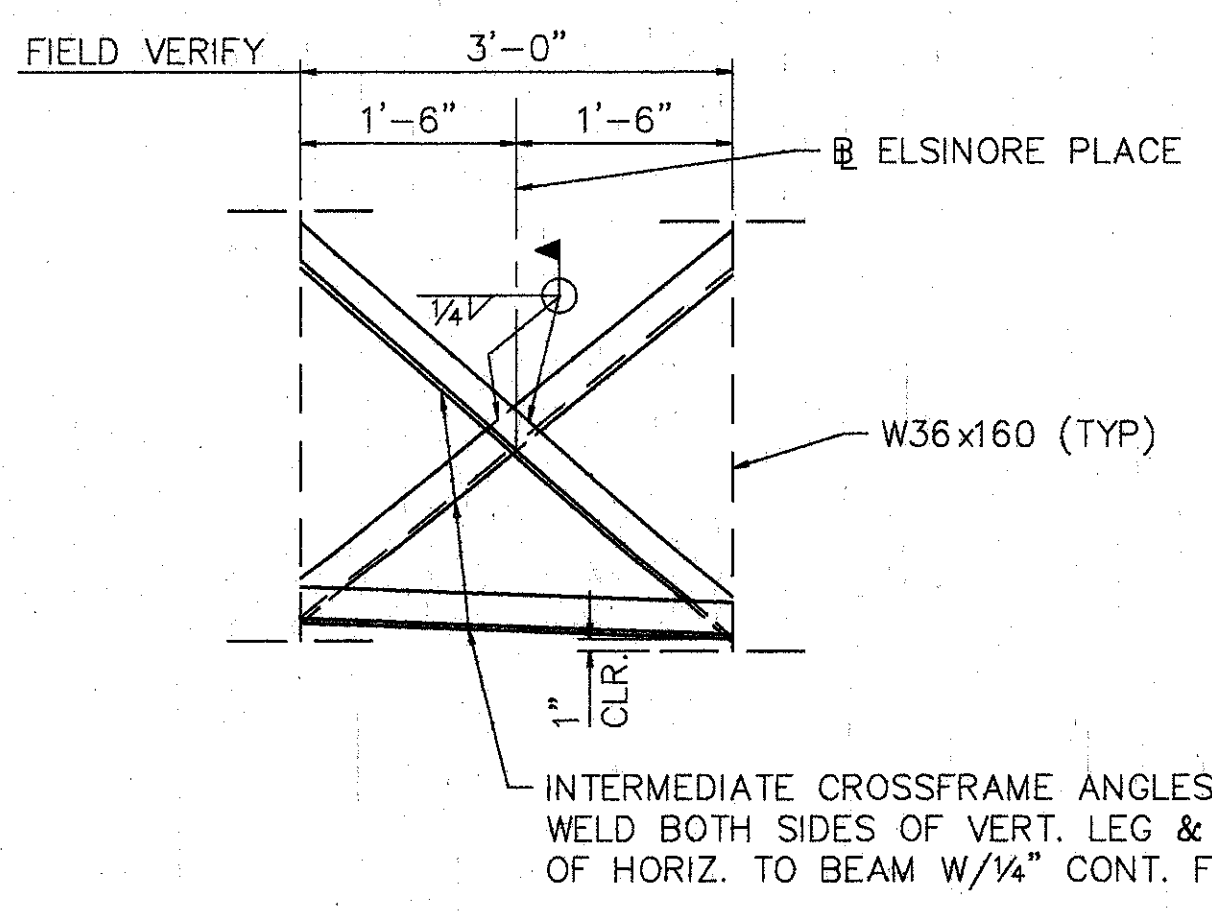
**PART. PLAN MEDIAN @ FWD. & REAR ABUTMENTS**  
 SKEW = 1°07'09" LEFT FORWARD~REAR ABUT.  
 SKEW = 6°43'30" LEFT FORWARD~FORWARD ABUT.



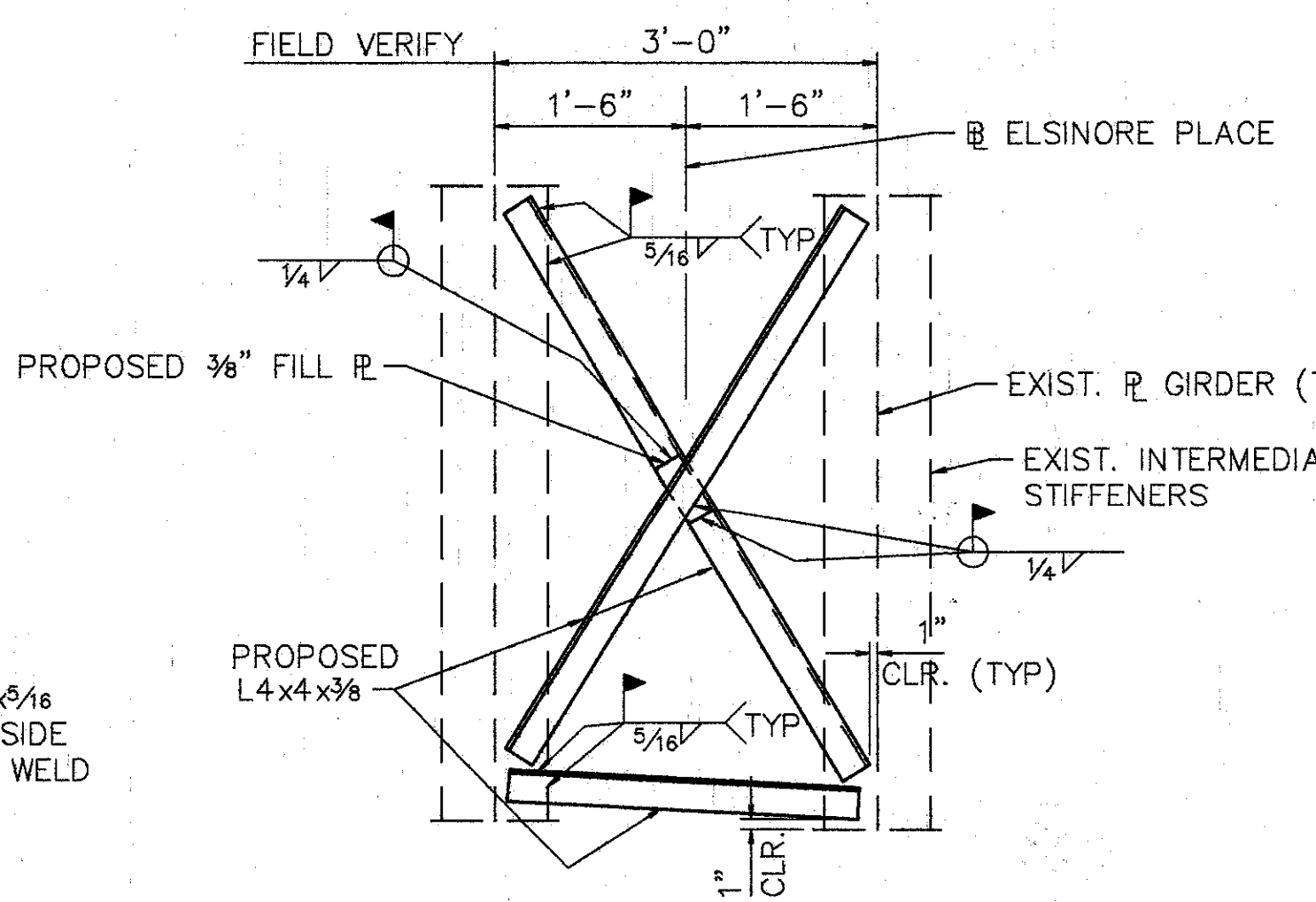
**SECTION H-H**  
 FOR DTLS NOT SHOWN SEE STD. DWG. SD-1-69.



**PART PLAN SIDEWALK @ FORWARD ABUTMENT**  
 (RIGHT SIDEWALK SHOWN, LEFT SIDEWALK OPPOSITE HAND (NO CONDUIT))  
 (SKEW = 6°43'30" LEFT FORWARD, SOUTHEAST CORNER VARIES)



**TYPICAL SPAN 1 SECTION F-F**



**TYPICAL SPAN 2 & 3 SECTION G-G**

- NOTES:**
- STRUCTURAL STEEL FOR PROPOSED INTERMEDIATE CROSSFRAMES, SHALL BE PAID FOR AS ITEM 513, STRUCTURAL STEEL FOR REHABILITATION. STRUCTURAL STEEL UNDER THIS ITEM WILL NOT REQUIRE SHOP DRAWINGS PRIOR TO FABRICATION. THE CONTRACTOR SHALL MAKE NECESSARY MEASUREMENTS AND PREPARE SKETCHES, DRAWINGS, TABLES, ETC. THE ENGINEER SHALL HAVE THE AUTHORITY AND RESPONSIBILITY FOR ENSURING THAT THE FABRICATED STEEL IS ACCEPTABLE. TECHNICAL ASSISTANCE WILL BE PROVIDED ON REQUEST BY THE BUREAU OF BRIDGES. MILL TEST REPORTS AND SHIPPING DOCUMENTS SHALL BE SUBMITTED TO THE ENGINEER FOR REVIEW AND APPROVAL TO ENSURE THAT THE DRAWINGS DEPICT THE STEEL AS ACTUALLY INCORPORATED INTO THE WORK. THE ENGINEER WILL THEN SEND ONE APPROVED SET TO THE BUREAU OF BRIDGES FOR INFORMATION. PAY WEIGHTS SHALL BE COMPUTED IN COMPLIANCE WITH 513 OF THE CONSTRUCTION AND MATERIAL SPECIFICATIONS AND SUBMITTED TO THE ENGINEER FOR HIS REVIEW AND APPROVAL. THE FABRICATOR SHALL FURNISH A 35 MILLIMETER MICROFILM COPY OF EACH SHOP DRAWING, WHICH SHALL BE MOUNTED ON AN APERTURE CARD AS SPECIFIED IN 501.05.
  - NEW STEEL SHALL BE PAINTED ACCORDING TO THE PROPOSAL NOTE ENTITLED "FIELD PAINTING OF NEW STEEL, SYSTEM IZEU". COST FOR PAINTING SHALL BE INCLUDED WITH ITEM SPECIAL - PAINTING OF NEW STEEL, SYSTEM IZEU, FOR PAYMENT.
  - FOR DETAILS NOT SHOWN SEE SHEET 3&4/5

**WOOLPERT CONSULTANTS**  
 409 E. MONUMENT AVENUE  
 DAYTON, OHIO 45402-1226  
 (513) 461-5660

**EXPANSION JOINT DETAILS**

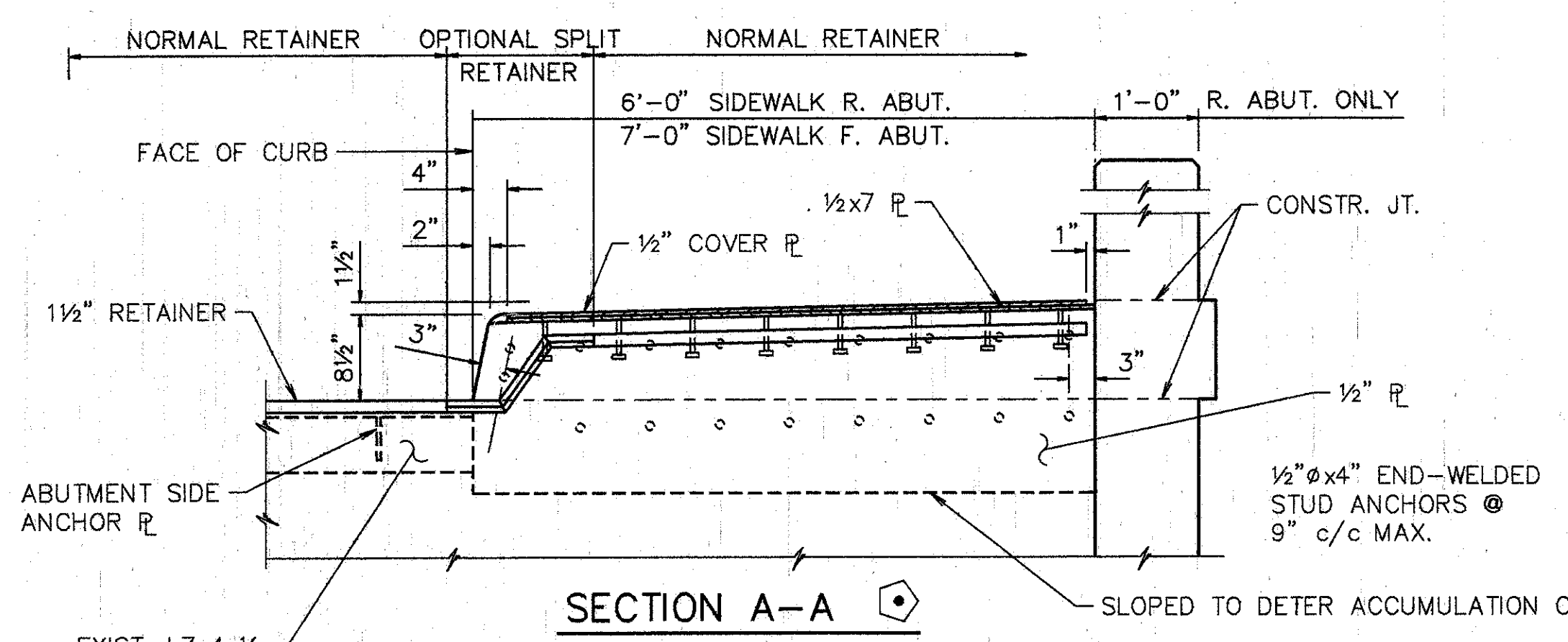
BRIDGE NO. HAM-71-0221 ELSINORE AVE.  
 OVER INTERSTATE ROUTE 71

HAMILTON COUNTY

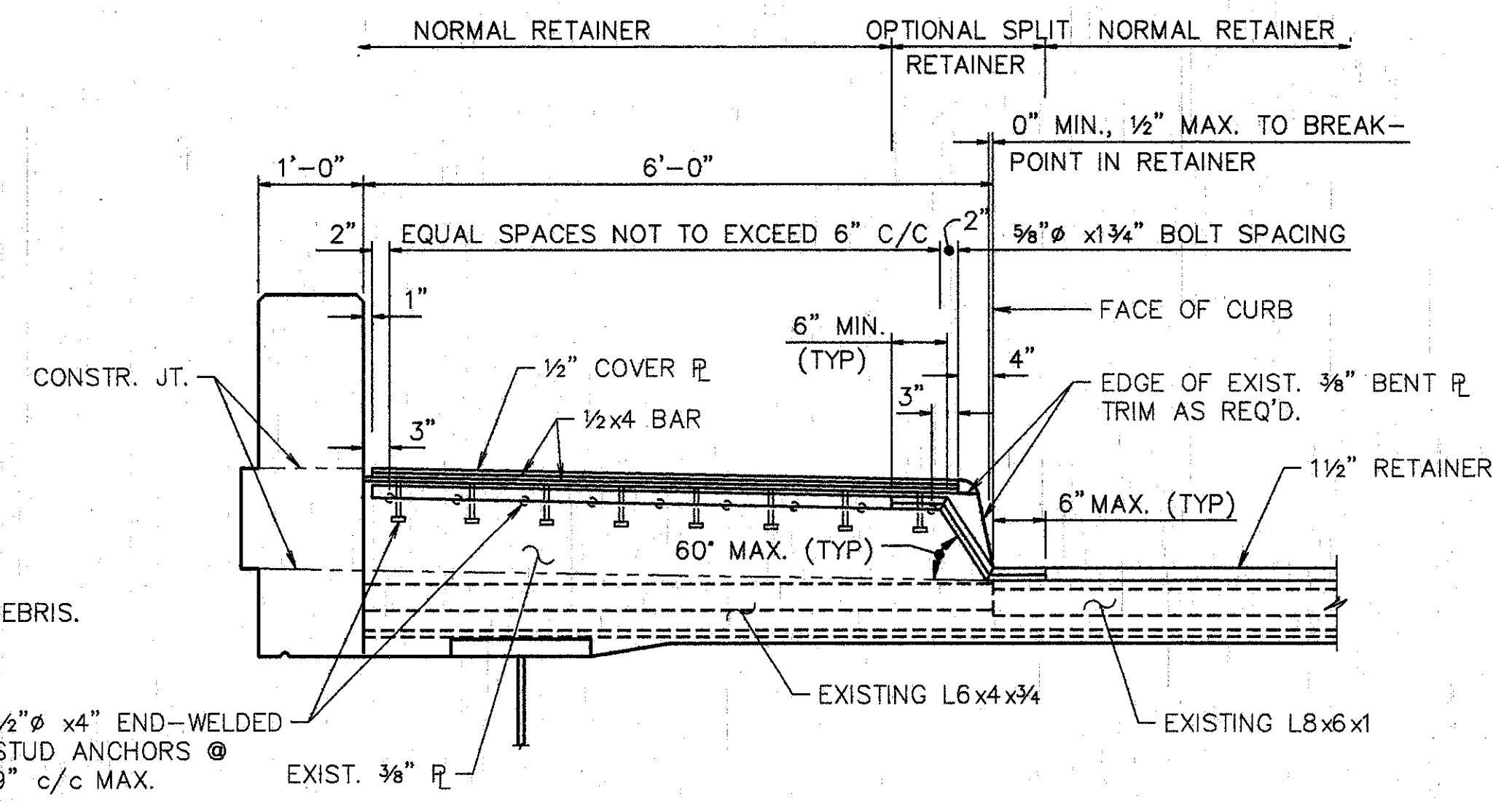
DESIGNED	DRAWN	TRACED	CHECKED	REVIEWED	DATE	REVISED
L.A.T.M.	R.M.R.		M.A.A.	D.E.M1	11/94	

Last Print: 08/09/94 08:00 PM  
 G:\STRV\6596-CV\581-AND\022139172.Lot1.rvt  
 Plot Reason: BY: RAC21 MAR 18, 1994 @ 11:08 AM

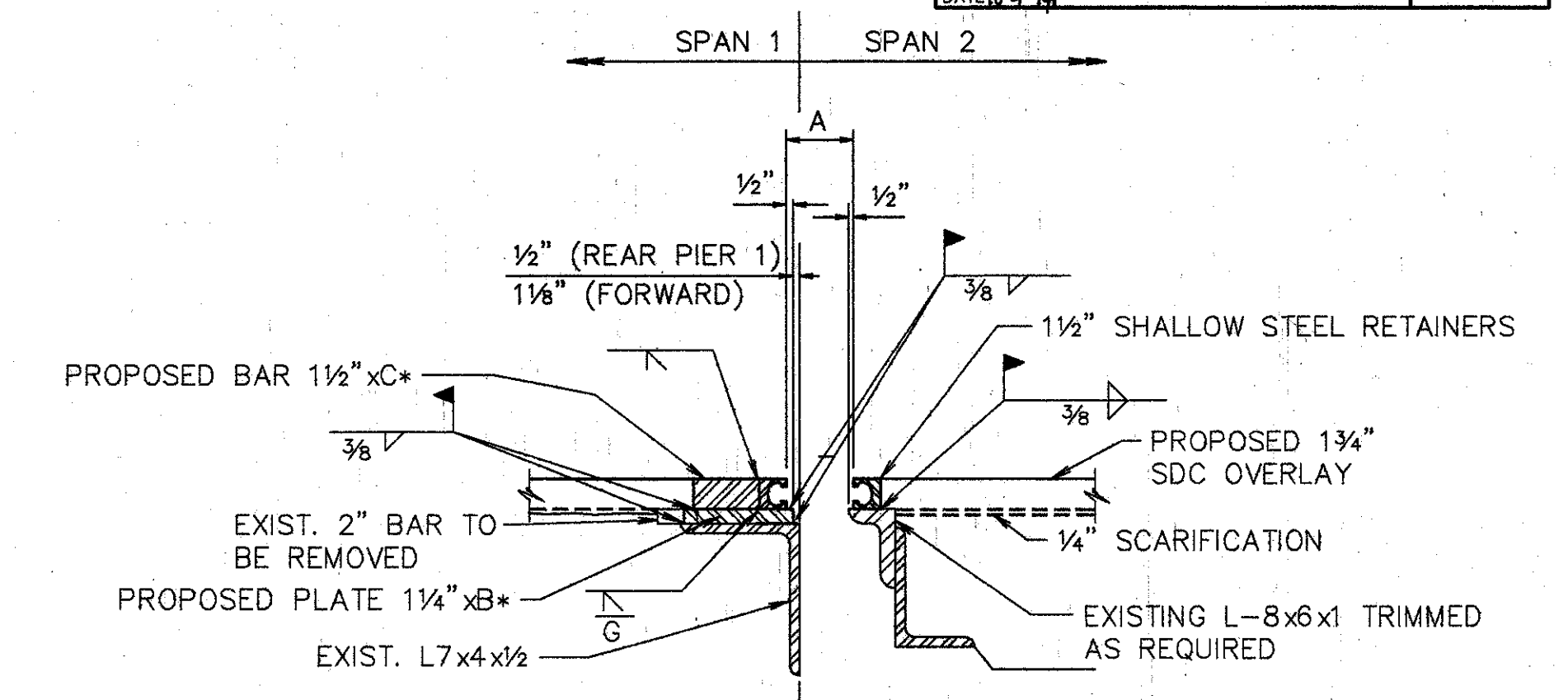




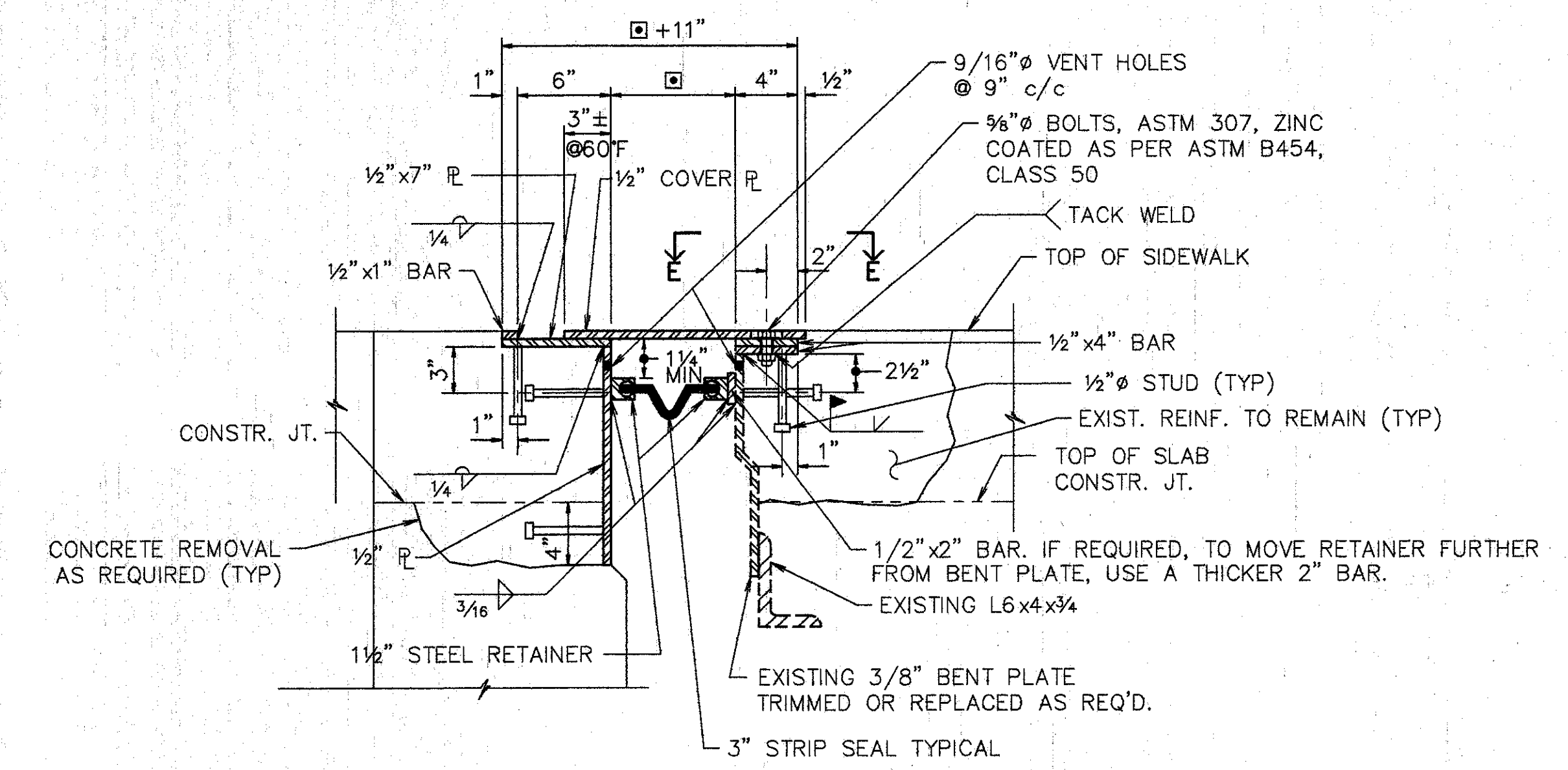
SECTION A-A  
 SIDEWALK AND PARAPET JOINT ARMOR ANCHORS:  
 IN LIEU OF THE 1/2" END-WELDED STUDS SHOWN, ALTERNATE METHODS OF ANCHORING THE 1/2" PLATES MAY BE USED, SUBJECT TO APPROVAL BY THE DIRECTOR.



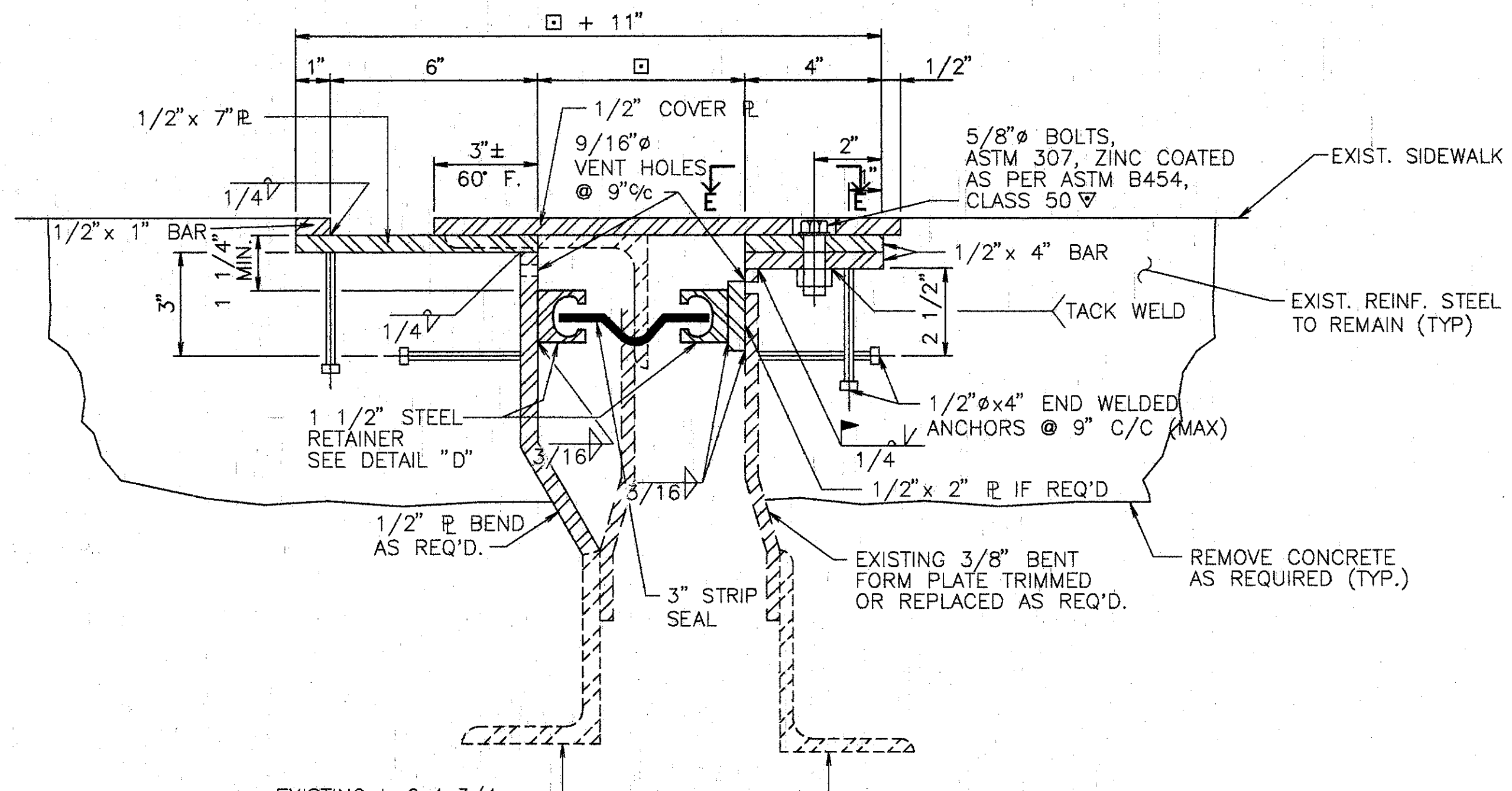
SECTION B-B  
 NOTE: REMOVE 3/8" BENT FORM PL. LEAVE L6x4x3/4 INTACT



SECTION L-L  
 FOR DTLS NOT SHOWN SEE STD. DWG. SD-1-69.



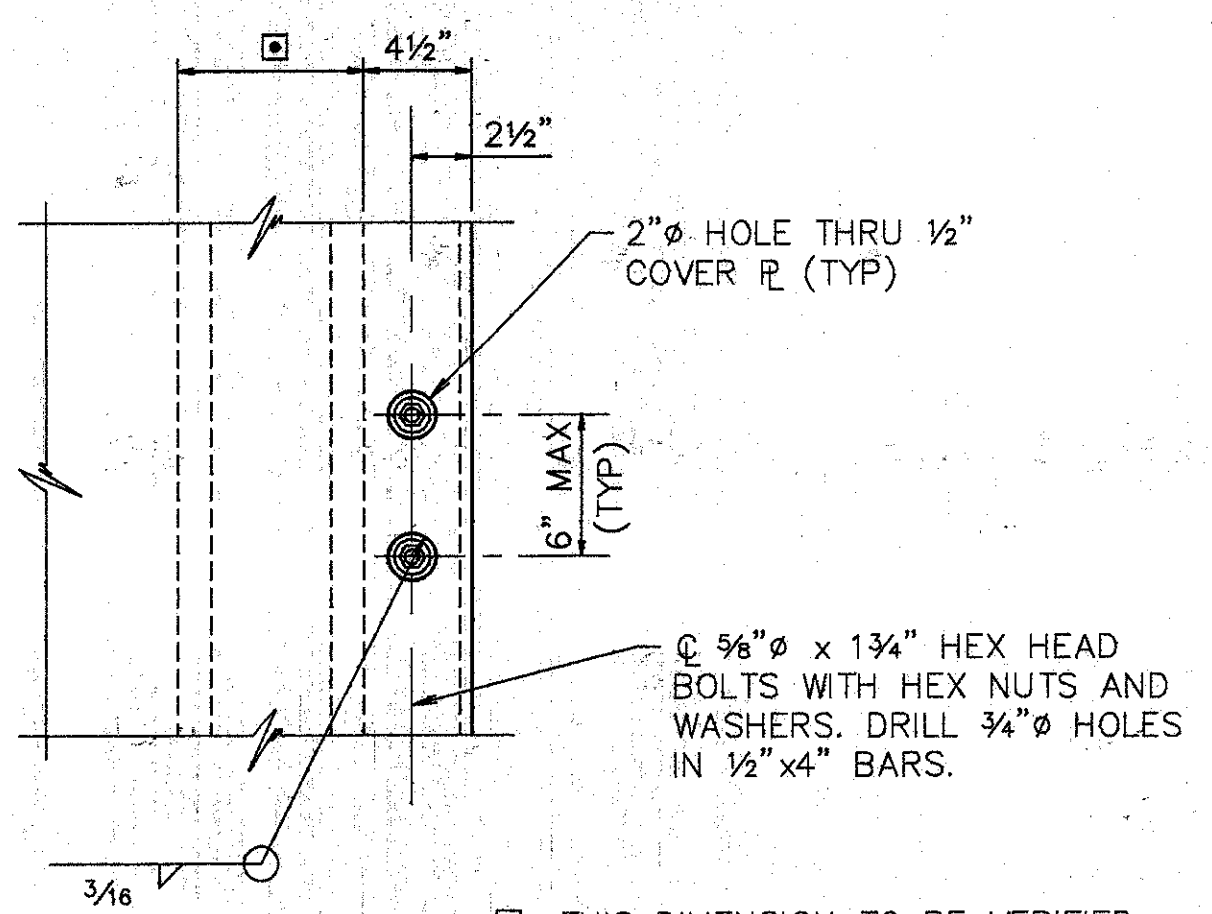
SECTION C-C  
 THIS DIMENSION TO BE VERIFIED PRIOR TO INSTALLATION.



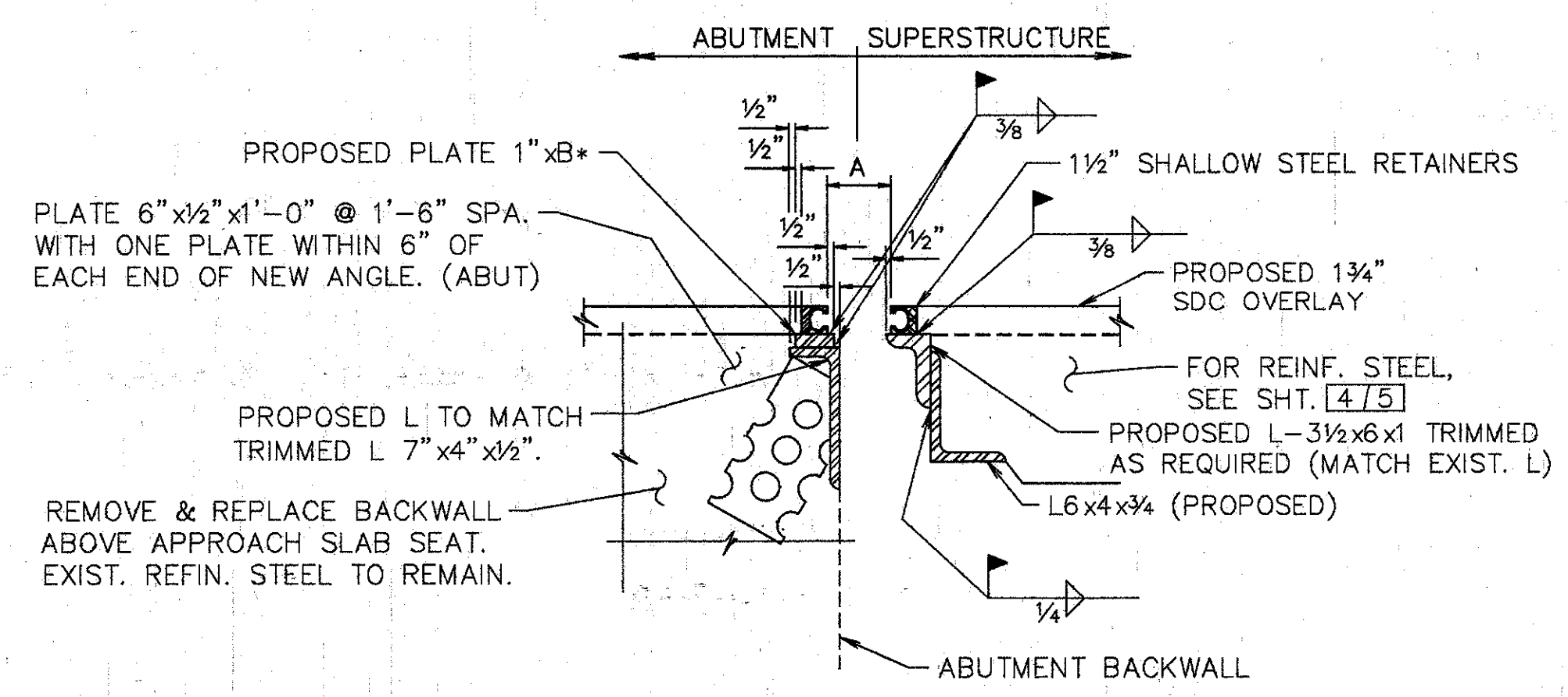
SECTION D-D

- NOTES:**
- CONTRACTOR SHALL VERIFY ALL DIMENSIONS PRIOR TO MODIFYING EXPANSION JOINT.
  - THE PRICE FOR ITEM 516 - 'STRUCTURAL EXPANSION JOINTS, INCLUDING ELASTOMERIC STRIP SEALS,' SHALL INCLUDE ALL LABOR, MATERIALS, EQUIPMENT, AND ANY OTHER INCIDENTAL ITEMS, AS DETAILED. (REMOVAL OF CURB OR PARAPET AS SHOWN SHALL BE INCLUDED UNDER ITEM 202 - 'PORTIONS OF STRUCTURES REMOVED.')
  - FOR DETAILS NOT SHOWN REFER TO DRAWING EXJ-4-87 SHEETS 3 AND 4.
  - STRIP SEAL TO BE INSTALLED IN ONE CONTINUOUS PIECE (NO OPEN JOINTS).
  - PROVIDE TEMPORARY SUPPORT FOR ABUTMENT END DAM DURING CONSTRUCTION. REMOVE TEMPORARY SUPPORT AS SOON AS CONCRETE HAS SET, PREFERABLY WITHIN TWO HOURS AFTER PLACING TO AVOID DAMAGE DUE TO EXPANSION AND CONTRACTION OF SUPERSTRUCTURE.

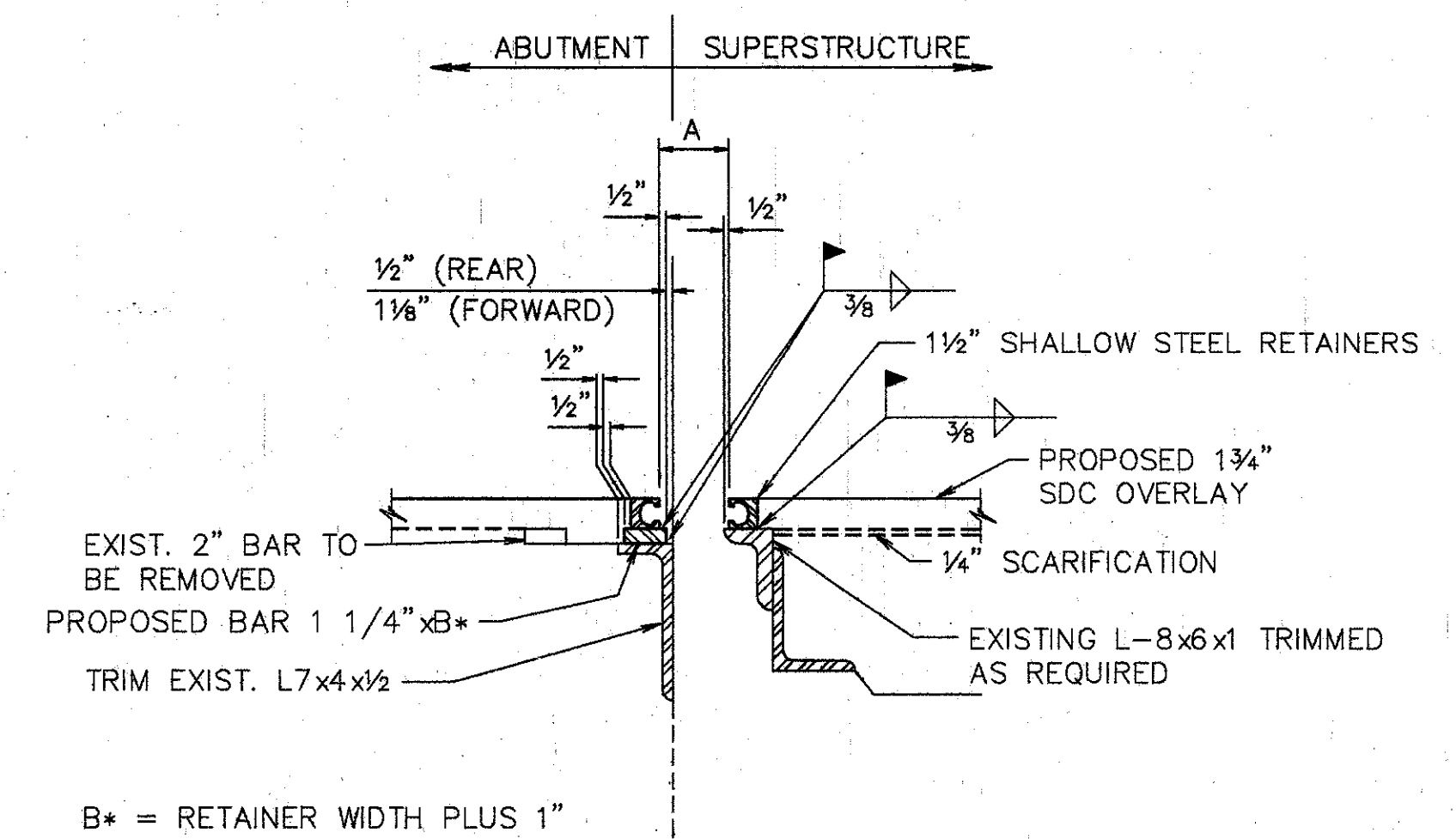
TEMPERATURE	DIM. 'A'		
	FORWARD	REAR	PIER 1
40° F	2 1/2"	2 3/4"	2 1/2"
50° F	2 1/2"	2 3/4"	2 1/2"
60° F	2 3/8"	2 3/4"	2 3/8"
70° F	2 3/8"	2 3/4"	2 3/8"
80° F	2 1/4"	2 3/4"	2 1/4"
90° F	2 1/4"	2 5/8"	2 1/4"



SECTION E-E  
 THIS DIMENSION TO BE VERIFIED PRIOR TO INSTALLATION.



SECTION M-M  
 FOR DTLS NOT SHOWN SEE STD. DWG. SD-1-69.



SECTION N-N  
 FOR DTLS NOT SHOWN SEE STD. DWG. SD-1-69.

**WOOLPERT CONSULTANTS**  
 409 E. MONUMENT AVENUE  
 DAYTON, OHIO 45402-1226  
 (513) 461-5660

**MISCELLANEOUS DETAILS**

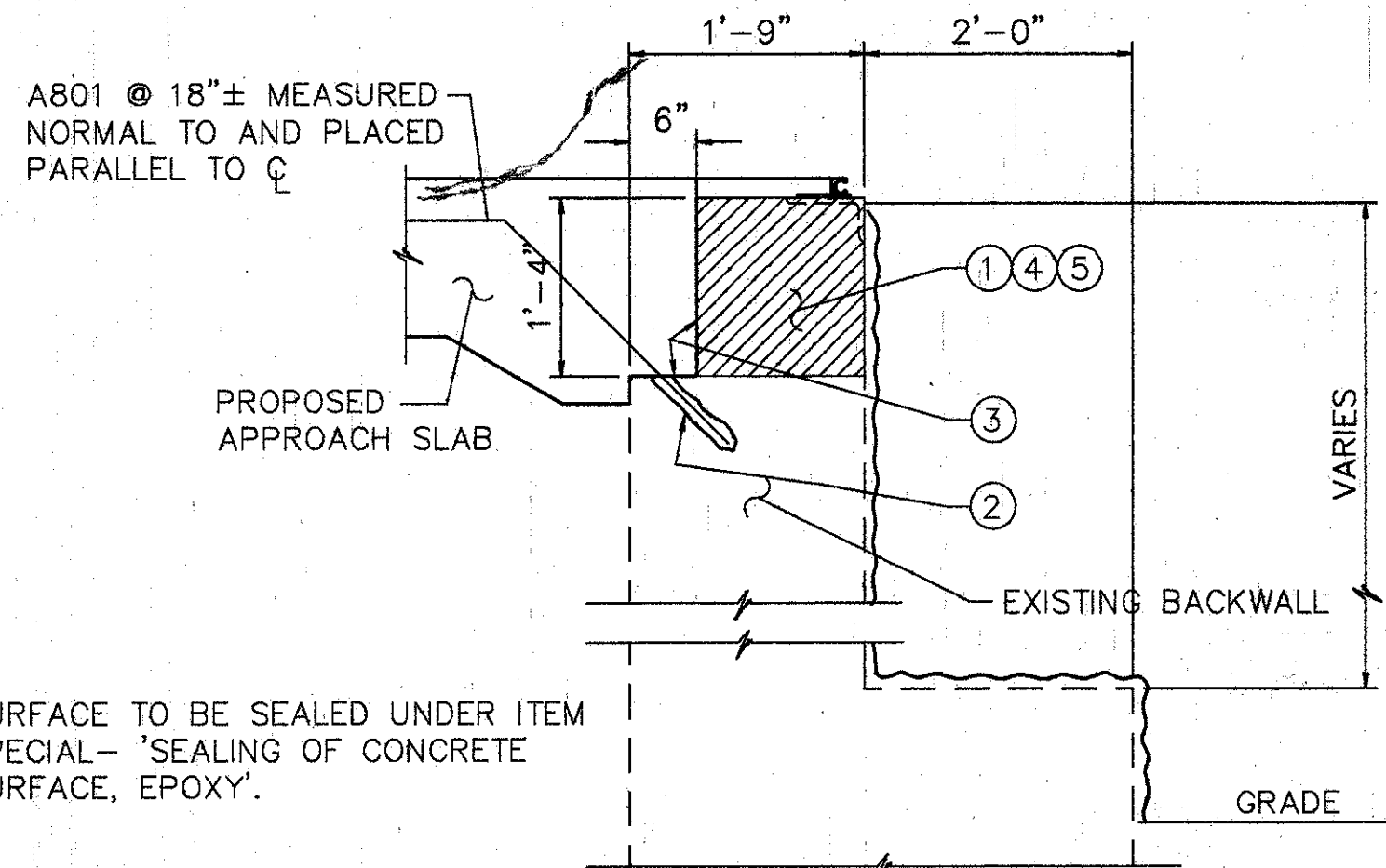
BRIDGE NO. HAM-71-0221 ELSINORE AVE.  
 OVER INTERSTATE ROUTE 71

HAMILTON COUNTY

DESIGNED	DRAWN	TRACED	CHECKED	REVIEWED	DATE	REVISED
L.A.T.M.	R.M.R.		M.A.A.	D.E.M1	11/94	

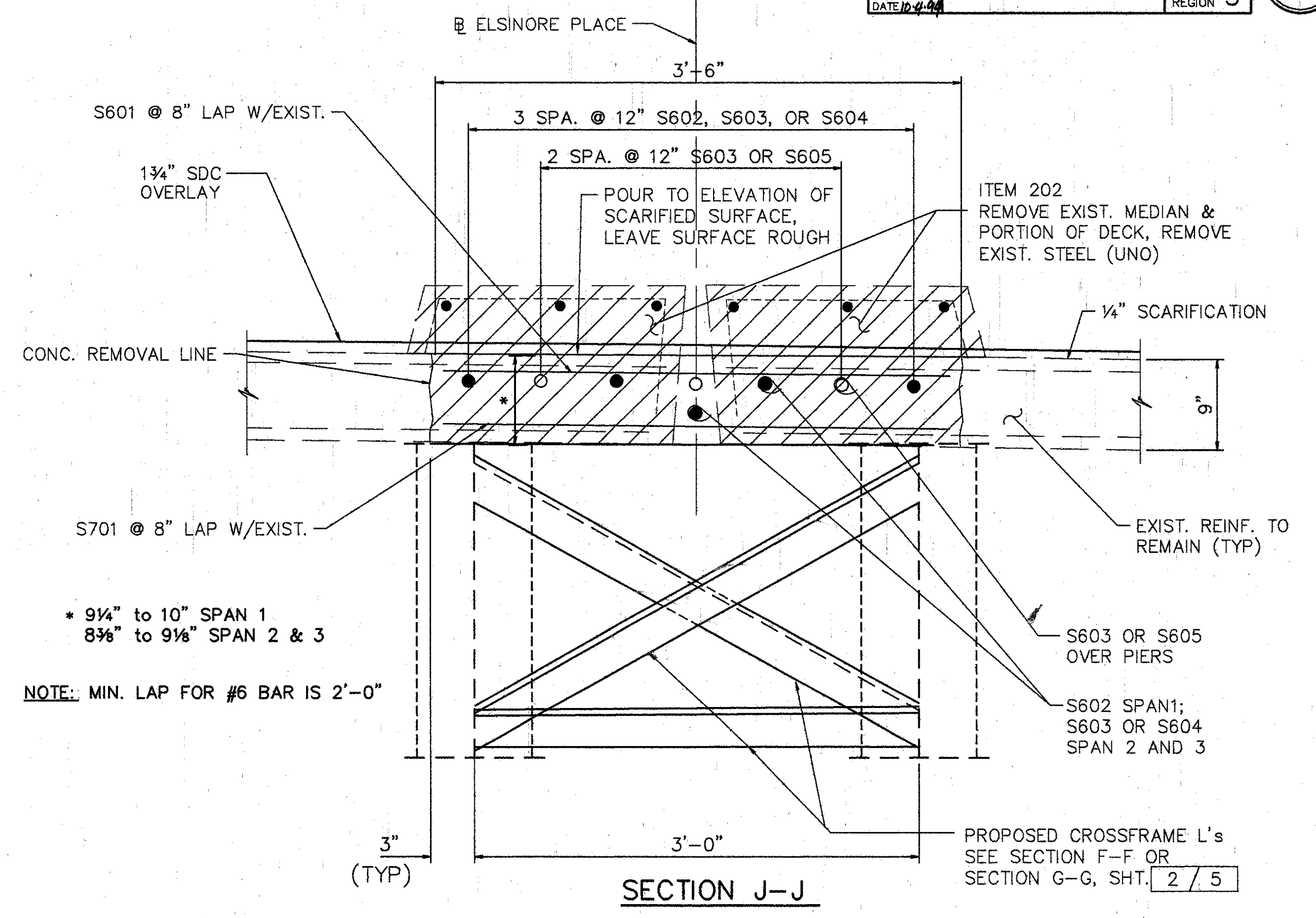
Last Plot: JUN. 20, 1991 @ 5:05 PM  
 G:\SRV\6596-03\HAM71\0221\DTL1 Leaf Revision By: RACH MAC 15, 1994 @ 8:45 AM





- NOTES FOR SECTION P-P**
- EXISTING REINFORCING STEEL TO REMAIN ~ REINFORCING STEEL DAMAGED TO BE REPLACED AT CONTRACTORS EXPENSE.
  - 1' MIN. EMBEDMENT (SEE DOWEL HOLE GENERAL NOTE) ITEM 510.
  - TYPE 'A' WATERPROOFING (PAYMENT INCLUDED IN THE PRICE BID FOR APPROACH SLAB).
  - CLASS 'C' CONCRETE, ABUTMENT RECONSTRUCTION.
  - PROVIDE CONTRACTION AND EXPANSION JOINTS TO MATCH THOSE IN EXISTING BACKWALL AND PROVIDE CONSTRUCTION JOINTS AS REQUIRED TO MAINTAIN TRAFFIC. PAYMENT TO BE INCLUDED IN PRICE BID FOR ITEM 511 CLASS C CONCRETE RECONSTRUCTION.
- EXISTING CONCRETE TO BE REMOVED INCLUDE IN ITEM 202 FOR PAYMENT.

SECTION P-P



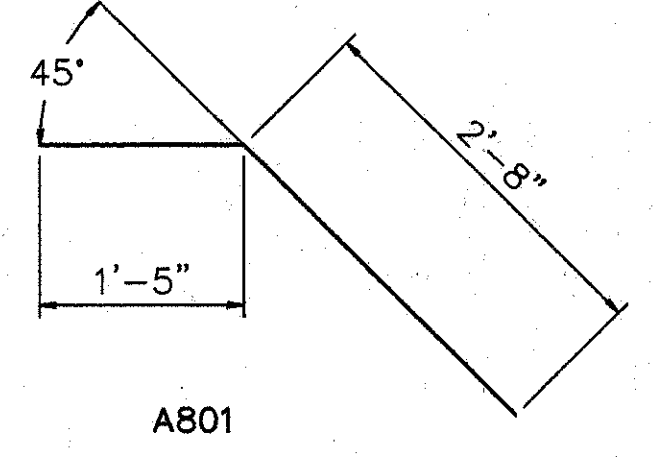
SECTION J-J

**CUT LINE CONSTRUCTION JOINT PREPARATION:**  
 SAW CUT BOUNDARIES OF PROPOSED CONCRETE REOVALS 1" DEEP. REMOVE CONCRETE TO A ROUGH SURFACE. WHERE PRACTICABLE, AT LEAST 2'-0" LENGTH OF PROTRUDING REINFORCING STEEL SHALL BE LEFT IN PLACE. INSTALL DOWEL BARS AS SPECIFIED. PRIOR TO CONCRETE PLACEMENT, ABRASIVELY CLEAN JOINT SURFACE AND EXPOSED REINFORCEMENT TO REMOVE LOOSE AND DISINTEGRATED CONCRETE AND LOOSE RUST. THEN, THE JOINT SURFACE AND EXPOSED REINFORCEMENT SHALL BE THOROUGHLY CLEANED OF ALL DIRT, DUST, OR OTHER FOREIGN MATERIAL BY THE USE OF WATER, AIR UNDER PRESSURE, OR OTHER METHODS THAT PRODUCE SATISFACTORY RESULTS. CONCRETE BONDING SURFACES SHALL BE WET WITHOUT FREE WATER AS CONCRETE IS PLACED.

**SUPERSTRUCTURE CONCRETE REMOVAL:**  
 REMOVAL SHALL BE BY MEANS OF APPROVED PNEUMATIC HAMMERS EMPLOYING POINTED AND BLUNT CHISEL TOOLS. HYDRAULIC HOE-RAM TYPE HAMMERS WILL NOT BE PERMITTED. THE WEIGHT OF THE HAMMER SHALL NOT BE MORE THAN 35 POUNDS FOR REMOVAL WITHIN 18 INCHES OF PORTIONS TO BE PRESERVED. OUTSIDE THE 18 INCH LIMIT, A HAMMER HEAVIER THAN 35 POUNDS, BUT NOT TO EXCEED 85 POUNDS, MAY BE USED AT THE APPROVAL OF THE ENGINEER. PNEUMATIC HAMMERS SHALL NOT BE PLACED IN DIRECT CONTACT WITH REINFORCING STEEL THAT IS TO BE RETAINED IN THE REBUILT STRUCTURE.

**REINFORCING STEEL LIST**

MARK	SHAPE	NUMBER	LENGTH	WEIGHT
S601	STR.	320	3'-4"	1608
S602	STR.	10	19'-0"	285
S603	STR.	33	30'-0"	1487
S604	STR.	5	7'-0"	53
S605	STR.	3	14'-0"	63
S701	STR.	320	3'-4"	2178
A801	BNT.	97	4'-0"	1036
REPLACEMENT STEEL				500
<b>TOTAL</b>				<b>7210</b>



X SEE PROPOSAL NOTE

ITEM	ITEM EXT.	TOTAL	UNITS	DESCRIPTION
202	11200	LUMP SUM	LUMP	PORTIONS OF STRUCTURES REMOVED
509	15830	7210	POUND	EPOXY COATED REINFORCING STEEL, GRADE 60
510	12201	97	LIN FT	DOWEL HOLES, AS PER PLAN
511	34400	23	CU YD	CLASS 'S' CONCRETE, SUPERSTRUCTURE (RECONSTRUCTION)
511	45700	10	CU YD	CLASS 'C' CONCRETE, ABUTMENT (RECONSTRUCTION)
SPECIAL	51267500	820	SQ YD	SEALING OF CONCRETE SURFACE *
SPECIAL	51267502	651	SQ YD	SEALING OF CONCRETE SURFACE (EPOXY) *
513	16000	1600	POUND	STRUCTURAL STEEL FOR REHABILITATION
513	21000	27	EACH	TRIMMING OF BEAM END
514	00610	1600	POUND	FIELD PAINTING OF NEW STEEL, SYSTEM IZEU *
514	27704	LUMP	L.S.	FIELD PAINTING, MISC.: EXISTING STEEL, EEU *
516	10000	24	LIN FT	PREFORMED ELASTOMERIC COMPRESSION JOINT SEAL (705.11)
516	11210	247	LIN FT	STRUCTURAL EXP. JT., INCLUDING ELASTOMERIC STRIP SEAL
513	15501	100	LBS.	STRUCTURAL STEEL (MISC. AND CASTINGS), AS PER PLAN
518	12800	3	EACH	SCUPPER MODIFICATION
518	63300	LUMP SUM	LUMP	STRUCTURE DRAINAGE, MISC.: MODIFY DRAINAGE PIPING
SPECIAL	51912600	29	LIN FT	CONCRETE REPAIR BY EPOXY INJECTION
845	40210	1690	SQ YD	LATEX MODIFIED CONCRETE OVERLAY (1 1/4" THICK)* ON EXISTING DECK
845	11000	16	CU YD	LATEX MODIFIED CONCRETE OVERLAY (VARIABLE THICKNESS)*
845	30000	1	CU YD	FULL DEPTH REPAIR
516	14600	50	L.F.	STRUCTURAL JOINT OR JOINT SEALER, MISC.: 2" x 4" SEALER, AS PER PLAN
516	45304	31	EACH	REFURBISH BEARING DEVICE

519	11100	62	S.F.	PATCHING CONCRETE STRUCTURE
516	14600	100	L.F.	SEAL JOINT BETWEEN ABUTMENT AND CONCRETE SLOPE PROTECTION

**PROPOSED WORK**

- SCARIFY EXISTING DECK 1/4" AND REMOVE DETERIORATED CONCRETE AS DIRECTED BY THE ENGINEER.
- REFURBISH ALL ABUTMENT BEARINGS.
- REMOVE CONCRETE MEDIAN AND PORTION OF THE DECK. PLACE CROSSFRAME ANGLES AND RECONSTRUCT DECK.
- PLACE 1 1/4" THICK LATEX MODIFIED CONCRETE ON DECK.
- SEAL CURBS, SIDEWALKS, PARAPET, PIERS, AND BACKWALL.
- SEAL JOINTS AS NOTED. RECONSTRUCT ABUTMENT BACKWALL ABOVE APPROACH SLAB SEAT.
- SEAL TRANSVERSE EXPANSION JOINTS WITH STRIP SEALS.
- TRIM BEAM ENDS TO 2" CLEARANCE.
- REFURBISH DRAINAGE PIPING.
- ONE LANE OF TRAFFIC IN EACH DIRECTION SHALL BE MAINTAINED ON THE BRIDGE AT ALL TIMES. PEDESTRIAN TRAFFIC SHALL BE MAINTAINED AT ALL TIMES. FOR NOTES SEE MAINTENANCE OF TRAFFIC PLANS.
- OTHER WORK AS DESCRIBED IN THESE PLANS.

**WOOLPERT CONSULTANTS**  
 409 E. MONUMENT AVENUE  
 DAYTON, OHIO 45402-1226  
 (513) 461-5660

**QUANTITIES AND GENERAL NOTES**

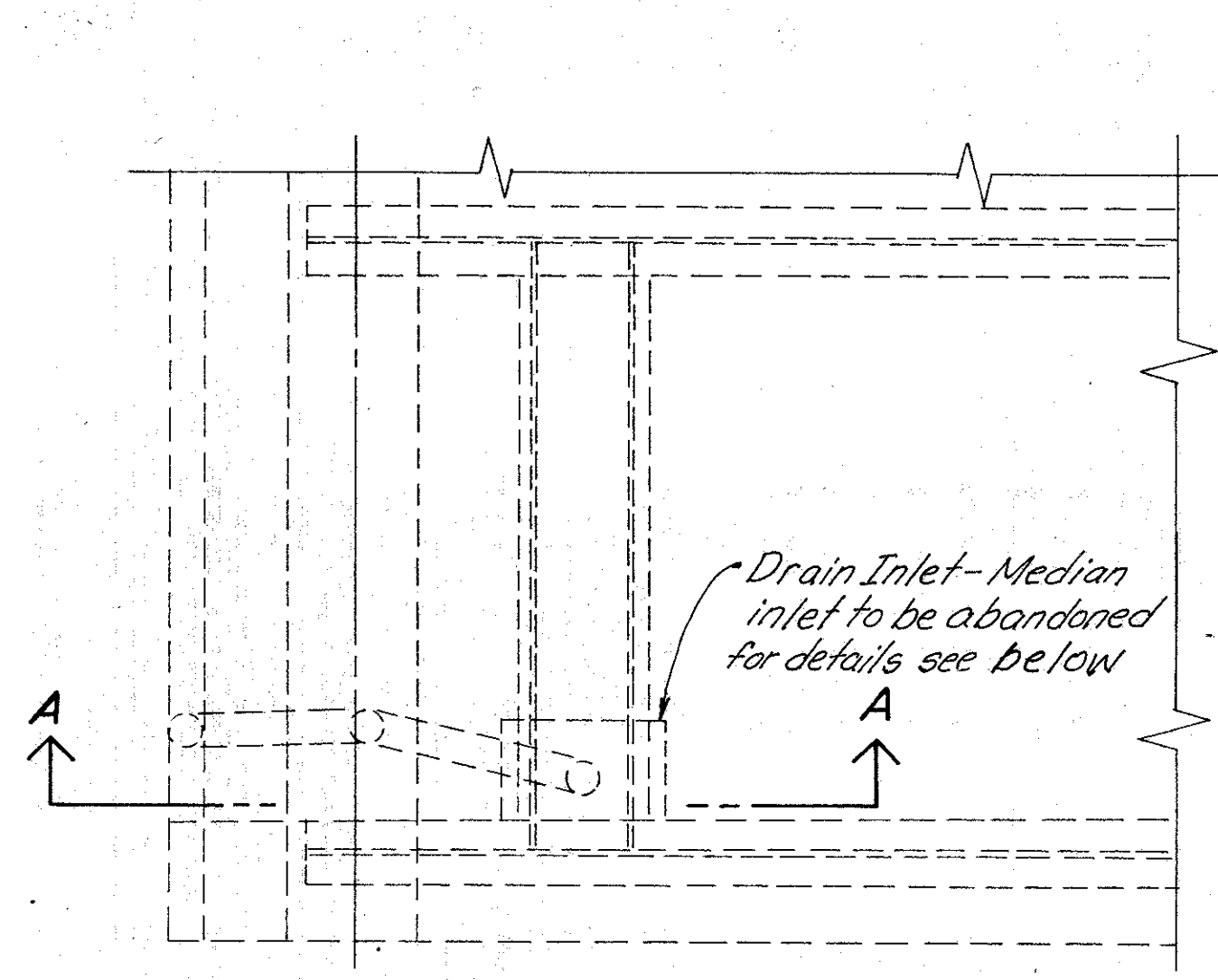
BRIDGE NO. HAM-71-0221 ELSINORE AVE.  
 OVER INTERSTATE ROUTE 71

HAMILTON COUNTY

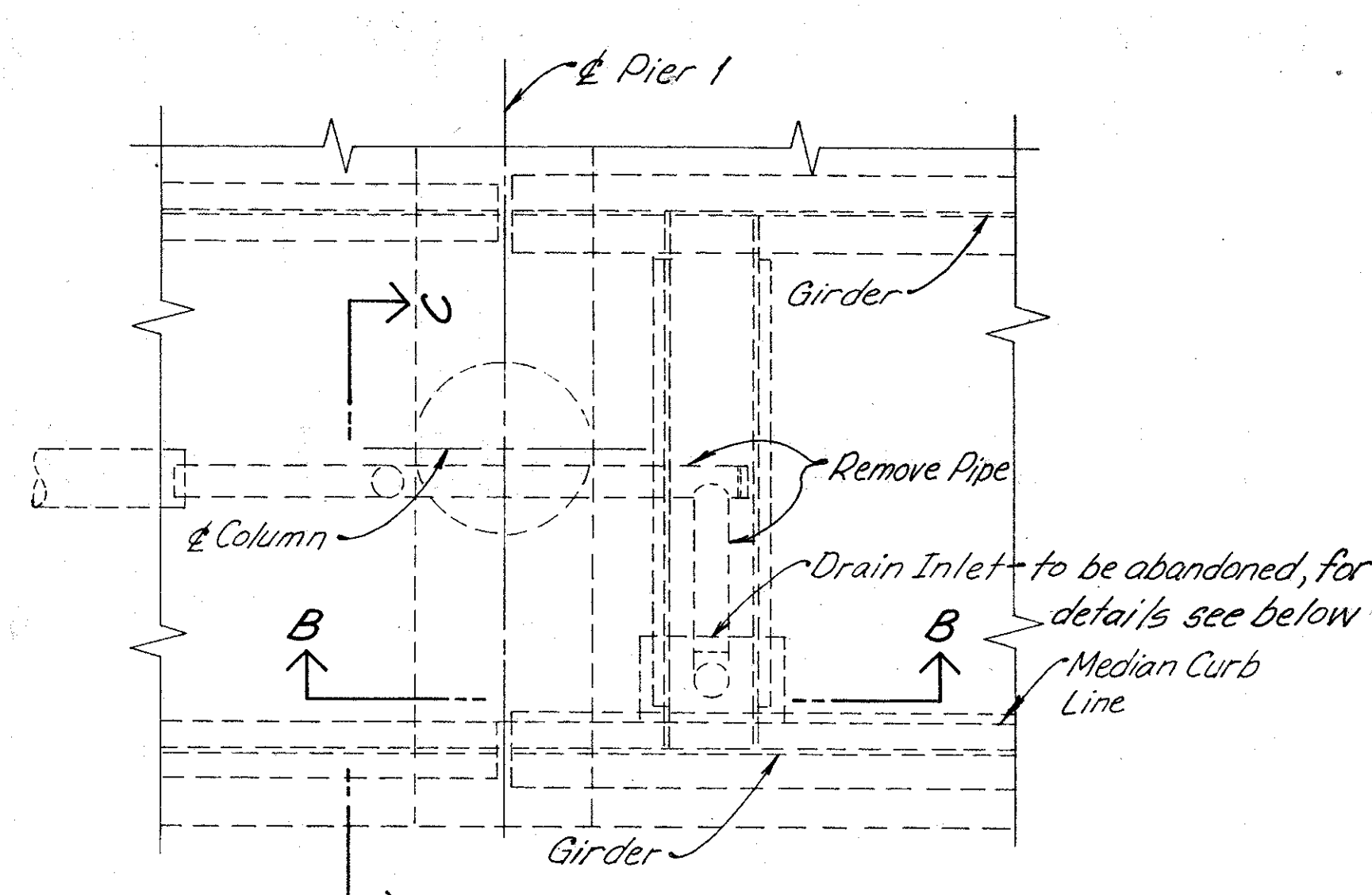
DESIGNED	DRAWN	TRACED	CHECKED	REVIEWED	DATE	REVISED
L.A.T.M.	D.E.E.		M.A.A.	D.E.M11/11/94		

Last Print: JUN. 20, 1994 @ 5:07 PM  
 G:\STR\0508-03\ASHLAND\0221EN\Last Revision By: RACH

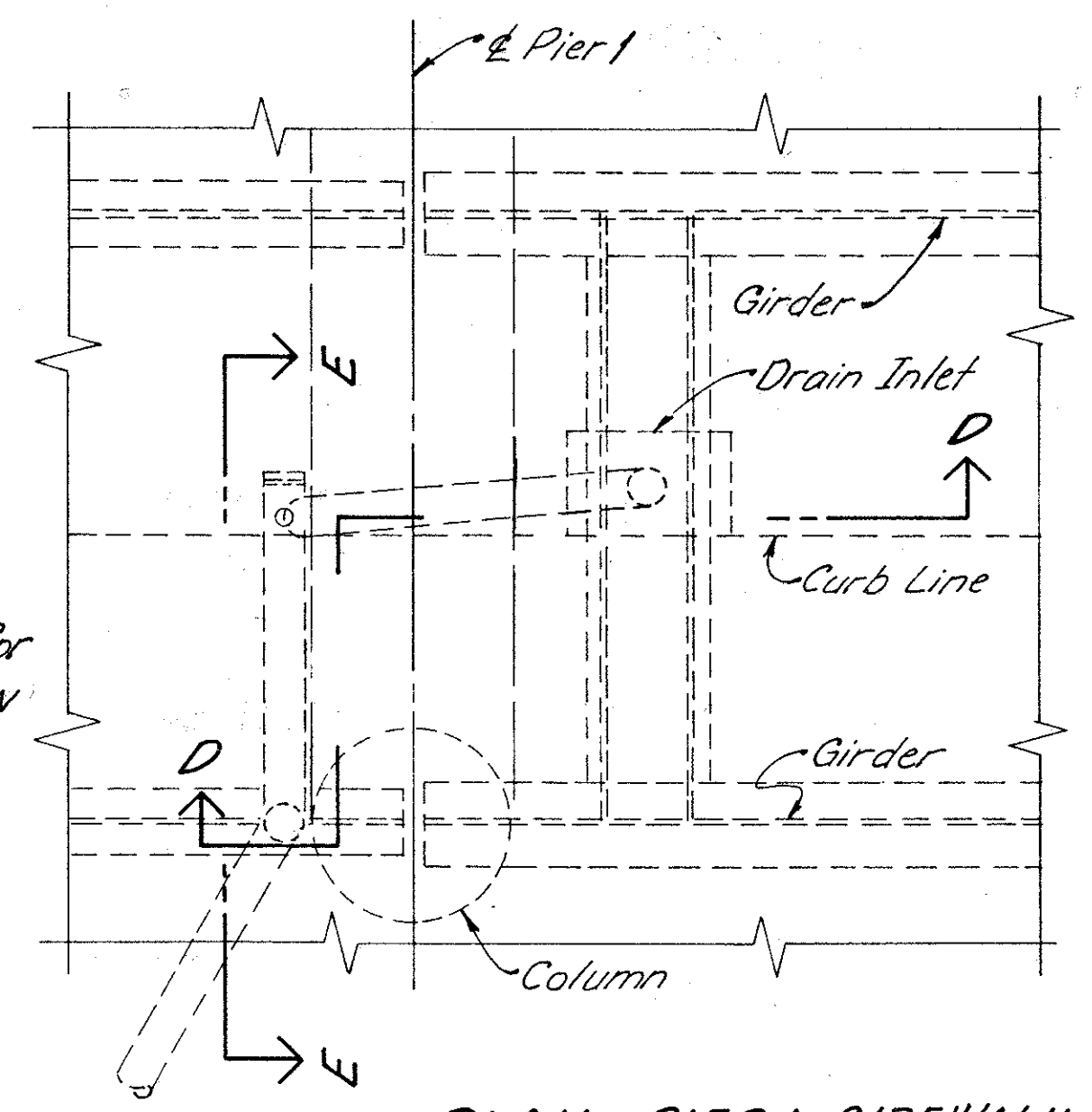




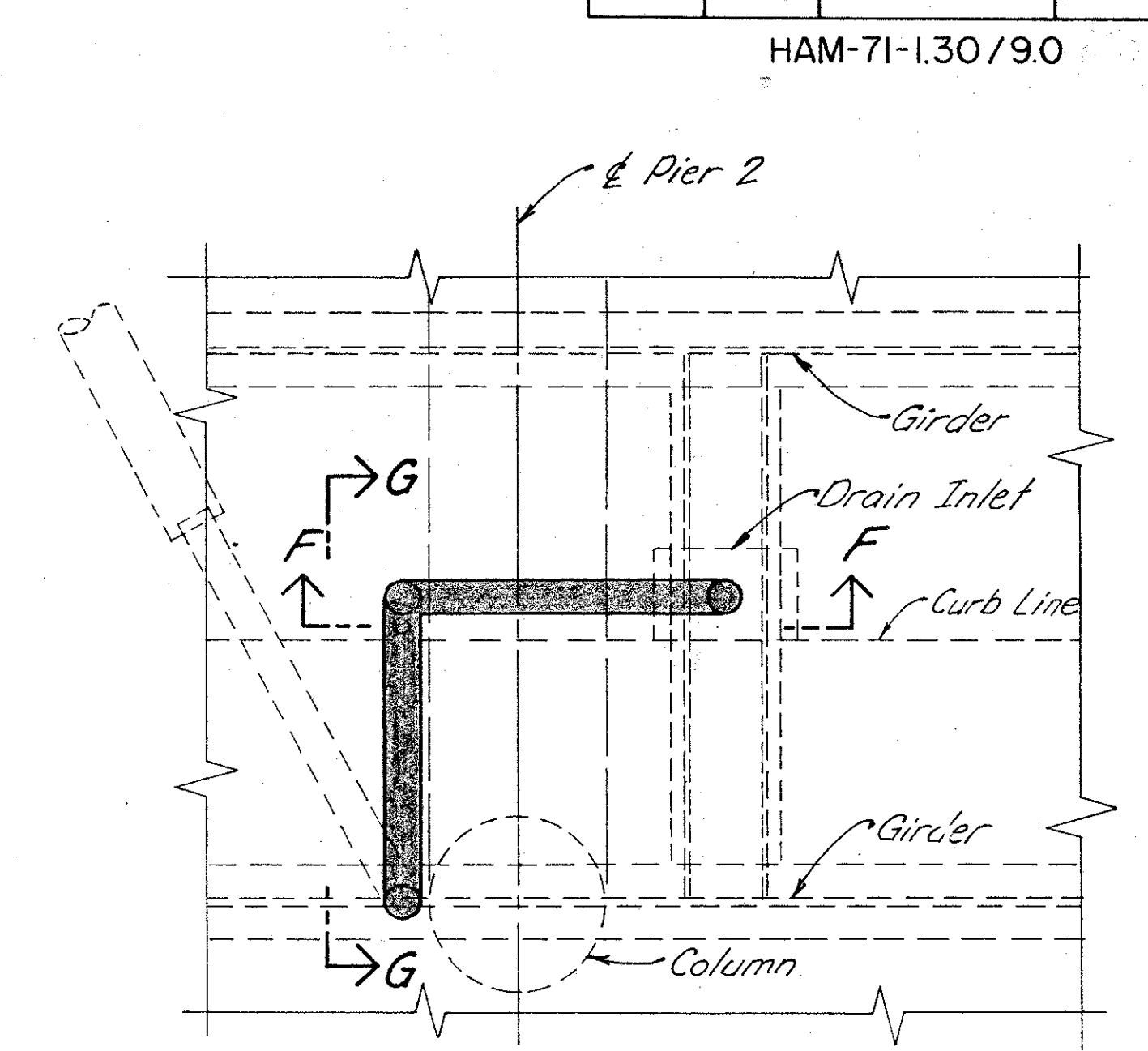
**PLAN WEST ABUTMENT**  
(No Work Req'd @ Sidewalk Inlet)



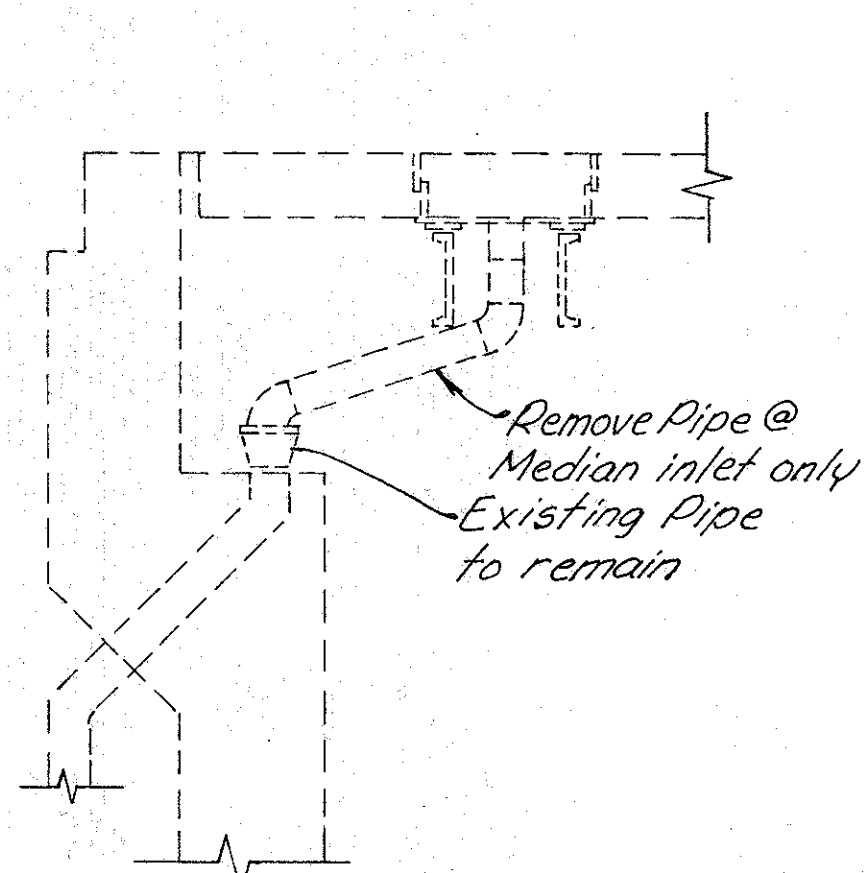
**PLAN PIER 1 MEDIAN**



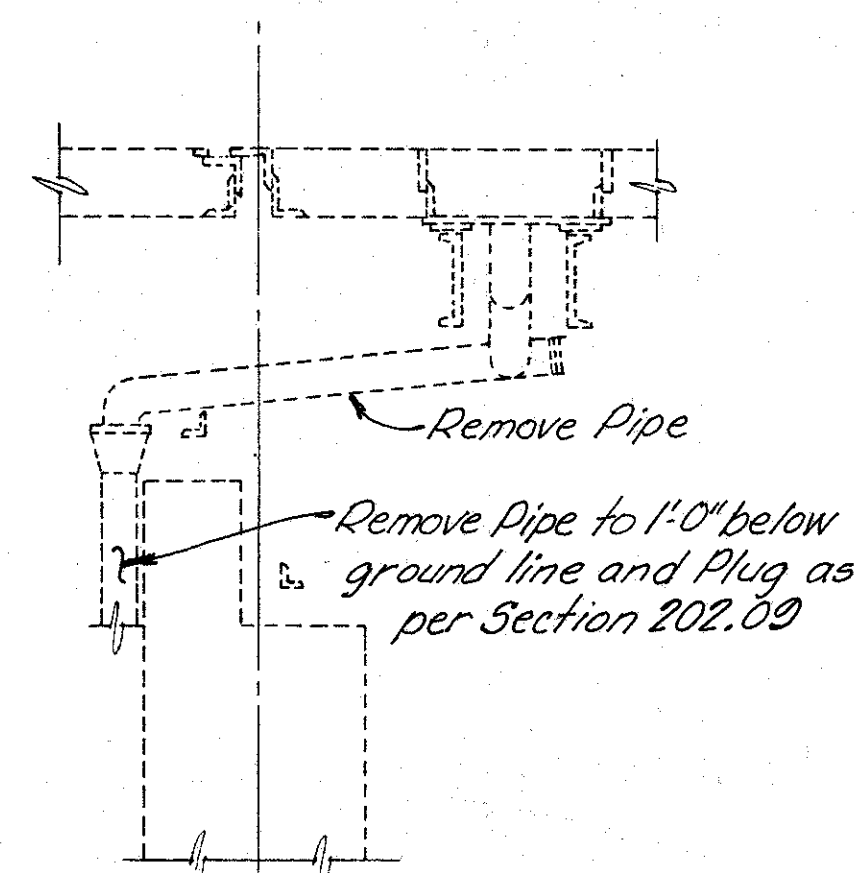
**PLAN PIER 1 SIDEWALK**  
(No Work Req'd)



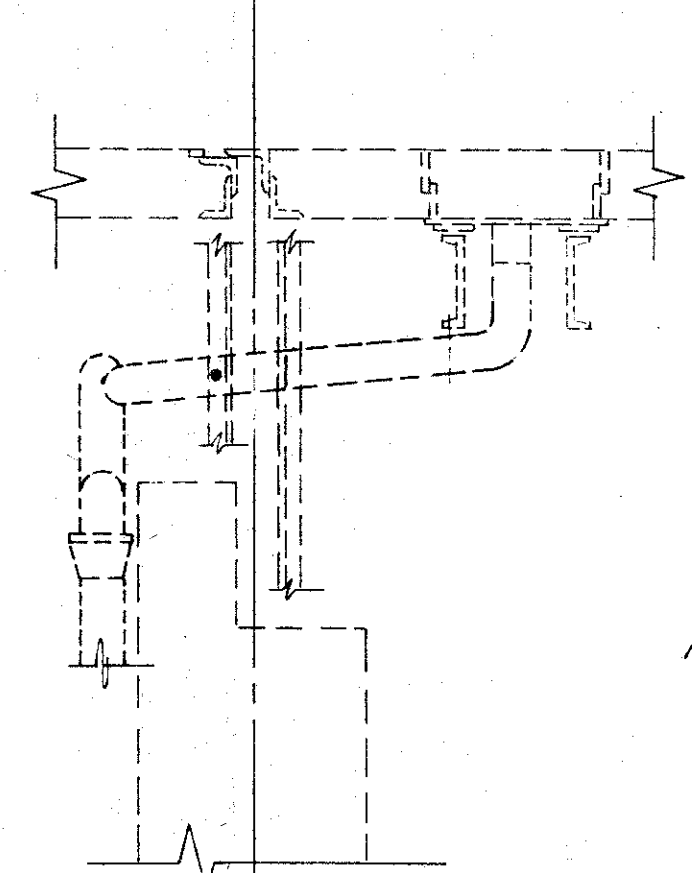
**PLAN PIER 2 Sidewalk**



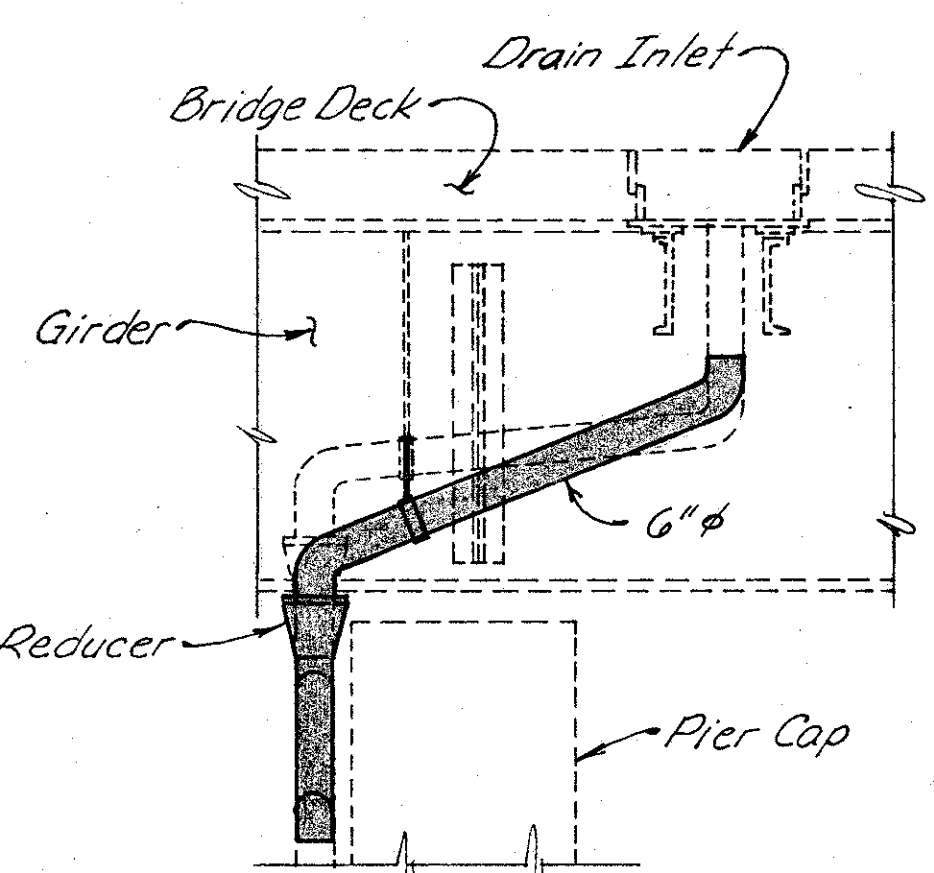
**SECTION A-A**



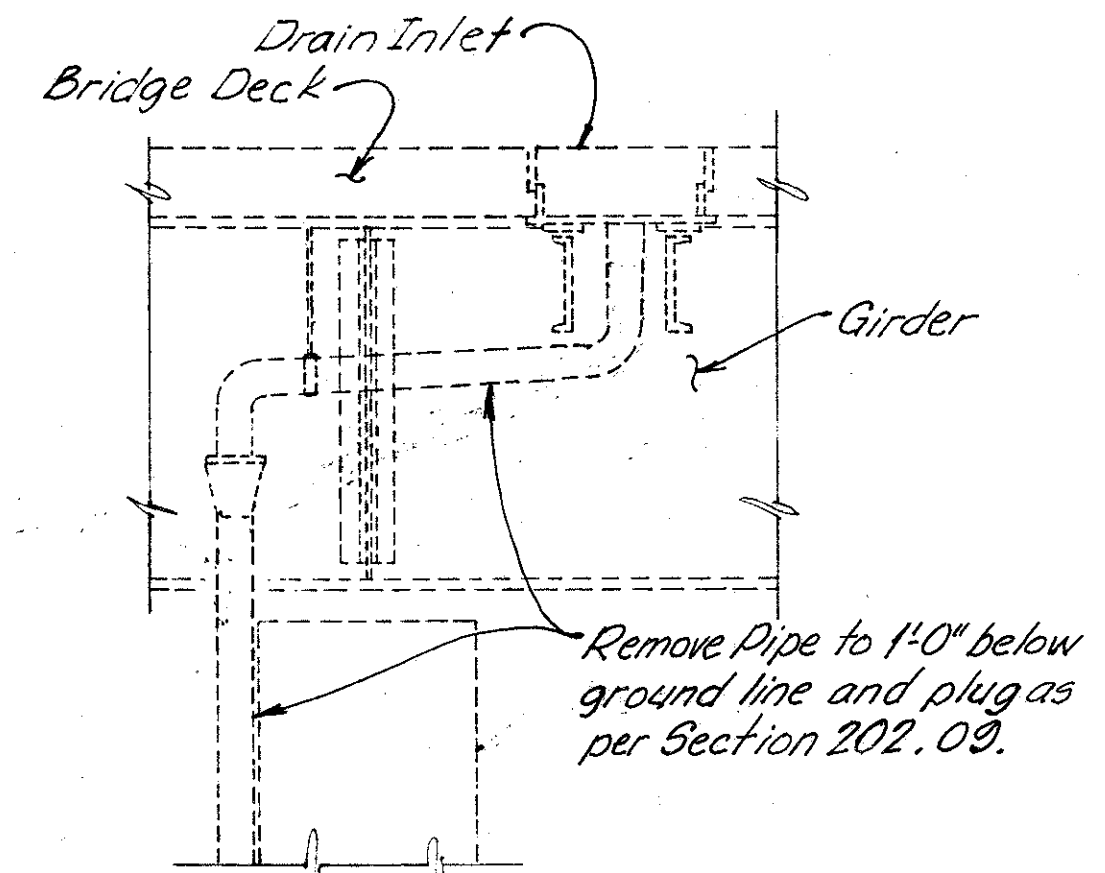
**SECTION B-B**



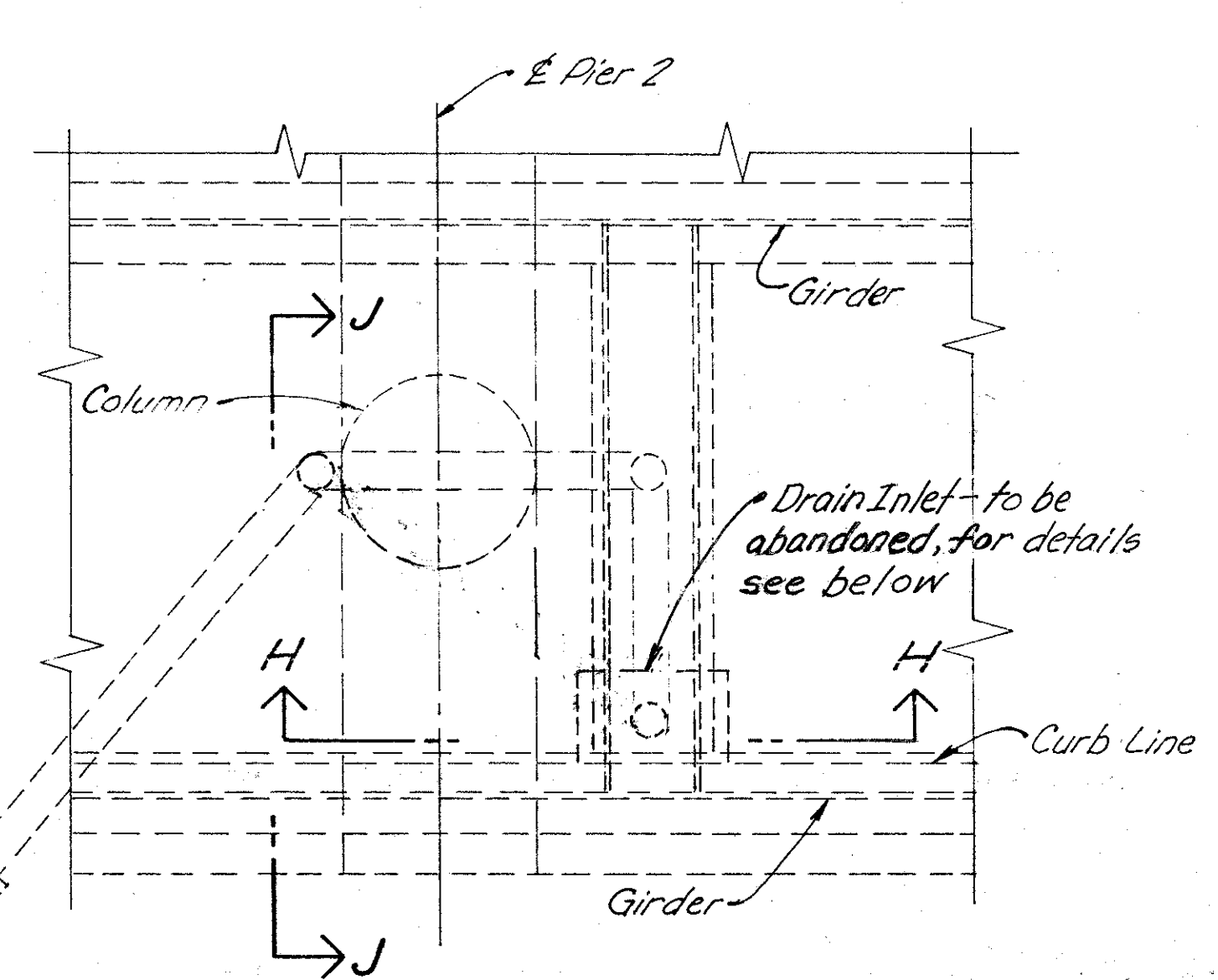
**SECTION D-D**



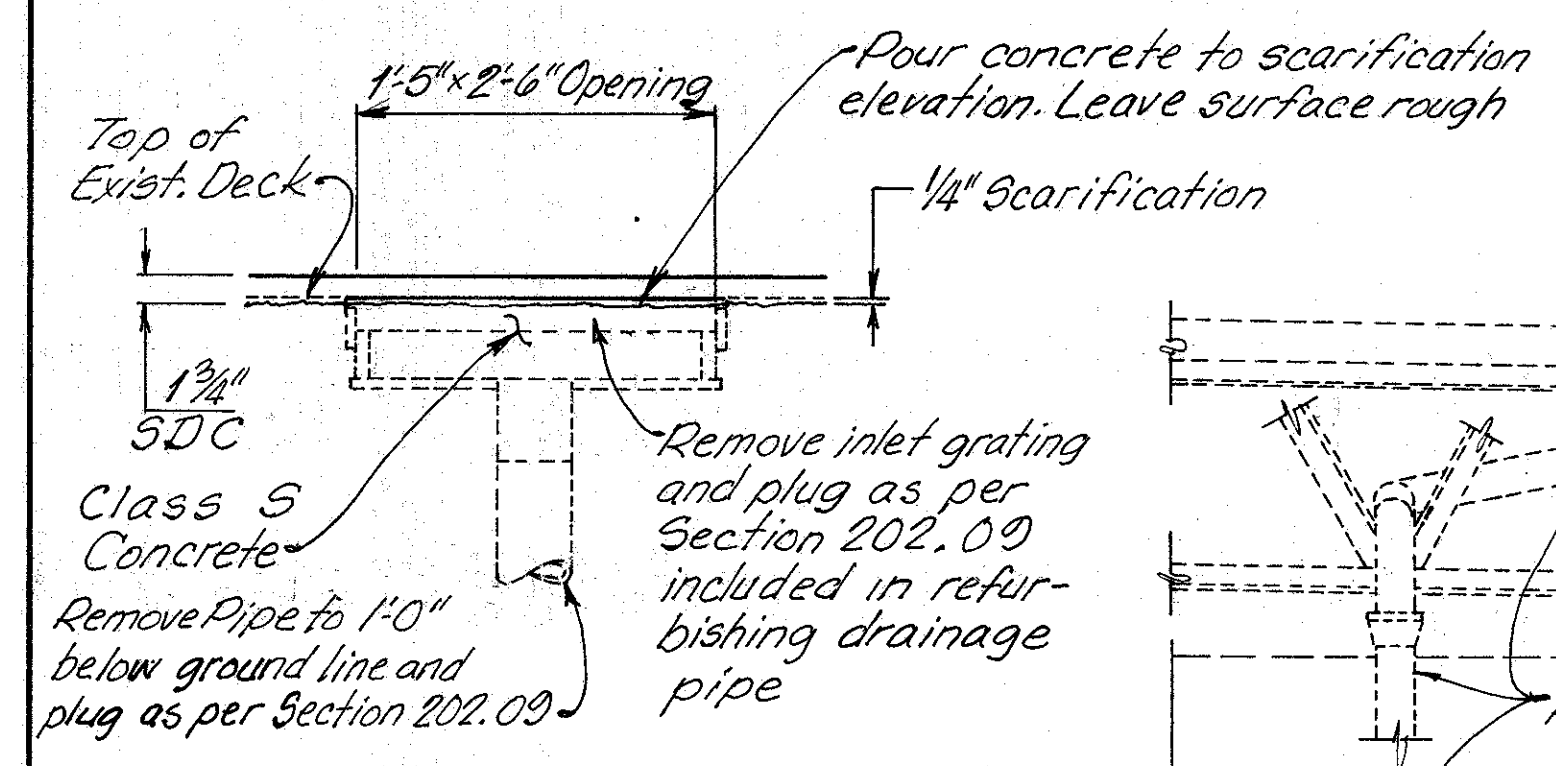
**SECTION F-F**



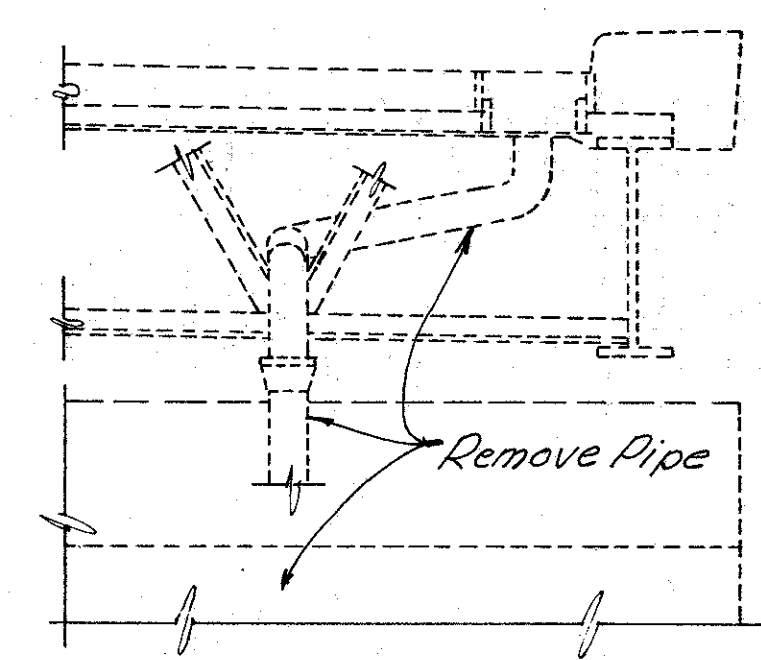
**SECTION H-H**



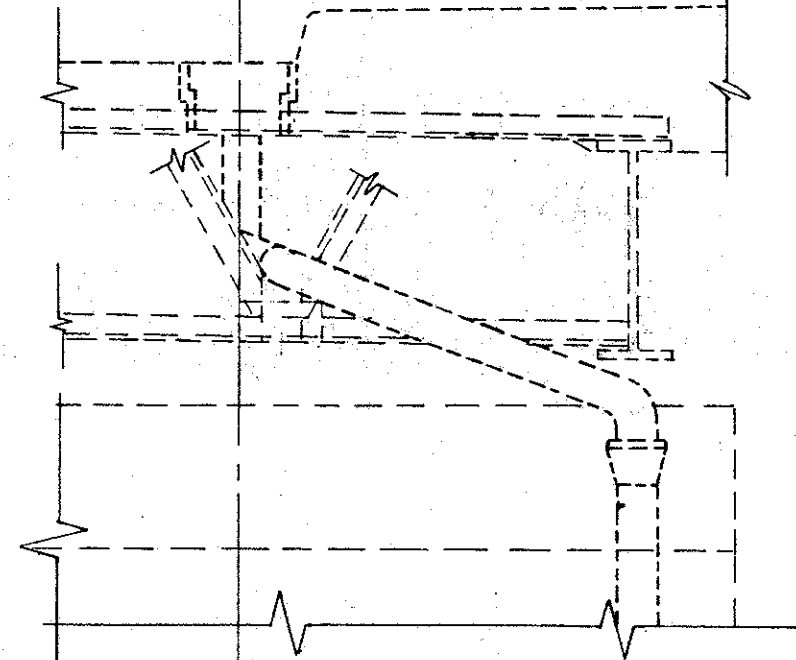
**PLAN PIER 2 Median**



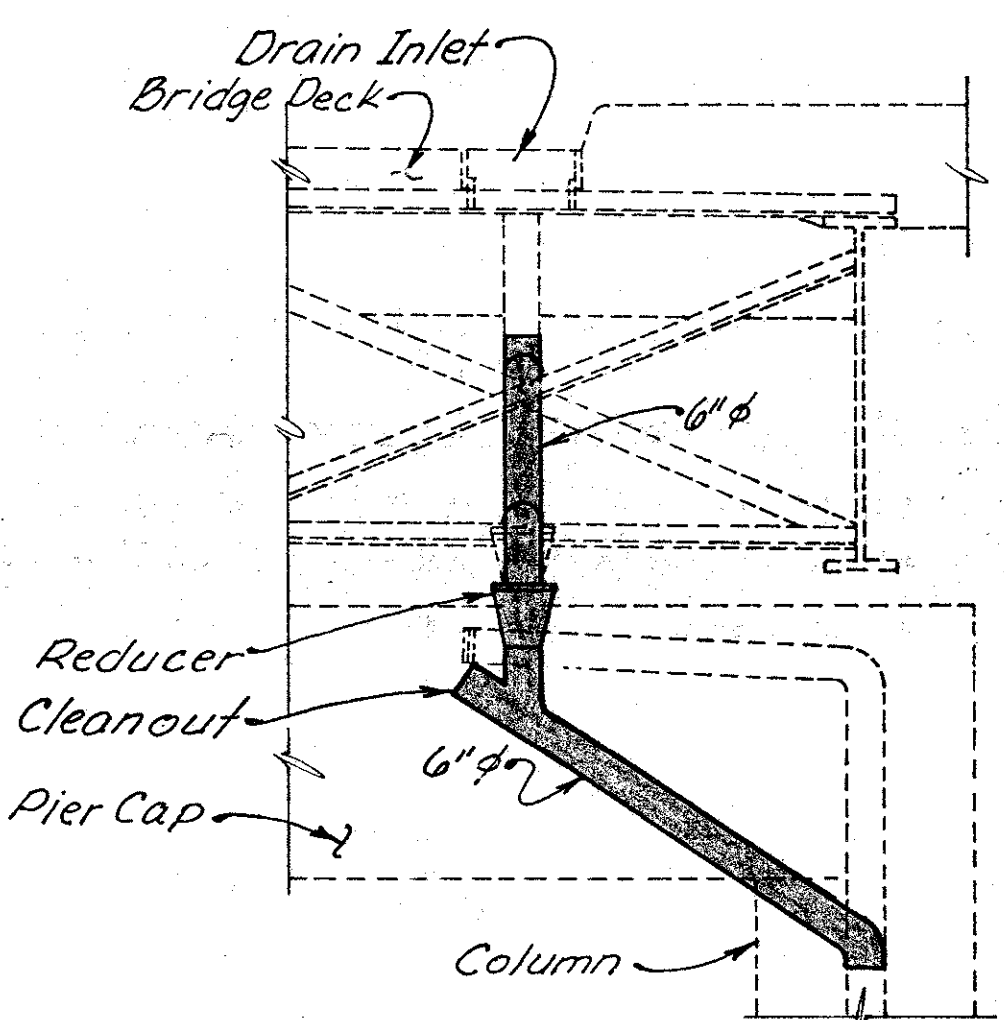
**SECTION SHOWING INLET ABANDONING (3 Total)**



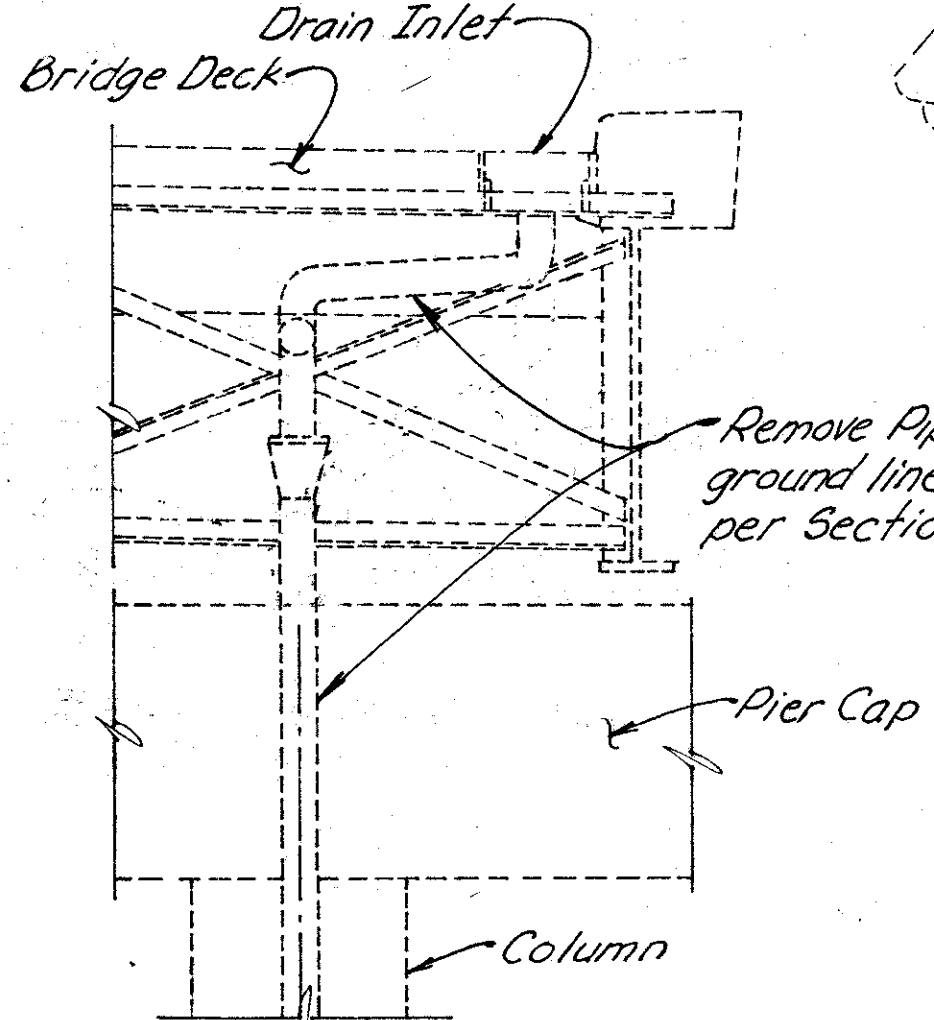
**SECTION C-C**



**SECTION E-E**



**SECTION G-G**



**SECTION J-J**

1. For Drainage piping requirements see General Notes or sheet 273 A01
2. Approximate No. Linear Feet of proposed 6" phi pipe (including specials) = 20'

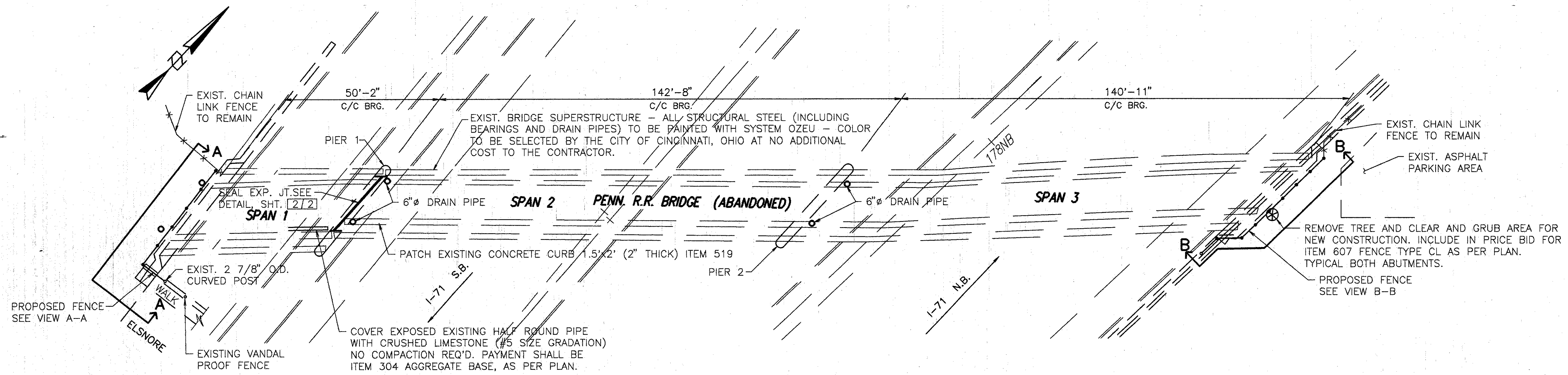
	<b>WOOLPERT CONSULTANTS</b> 409 East Monument Avenue Dayton, Ohio 45402-1226	5/5
--	--	-----

**DRAINAGE DETAILS**

BRIDGE NO. HAM-71-0221  
OVER I-71

HAMILTON COUNTY

DESIGNED	DRAWN	TRACED	CHECKED	REVIEWED	DATE	REVISED
D.E.M.	RACH		L.A.T.	P.W.G.	11/11/94	



**SITE PLAN**

ITEM	ITEM EXT.	TOTAL	UNITS	DESCRIPTION
304	20001	3	CU YD	AGGREGATE BASE, AS PER PLAN
SPECIAL	51267500	401	SQ YD	SEALING OF CONCRETE SURFACES *
SPECIAL	51267502	245	SQ YD	SEALING OF CONCRETE SURFACES (EPOXY) *
SPECIAL	51400050	56000	SQ FT	SURFACE PREPARATION OF EXISTING STEEL, SYSTEM OZEU *
SPECIAL	51400056	56000	SQ FT	FIELD PAINTING OF EXISTING STEEL, PRIME COAT, SYSTEM OZEU *
SPECIAL	51400060	56000	SQ FT	FIELD PAINTING OF EXISTING STEEL, INTERMEDIATE COAT, SYSTEM OZEU *
SPECIAL	51400066	56000	SQ FT	FIELD PAINTING OF EXISTING STEEL, FINISH COAT, SYSTEM OZEU *
SPECIAL	51400504	100	MAN HOUR	GRINDING FINS, TEARS, SLIVERS *
516	11211	20	LIN FT	STRUCTURAL EXPANSION JOINT INCLUDING ELASTOMERIC STRIP SEAL AS PER PLAN
519	11100	3	SQ FT	PATCHING CONCRETE STRUCTURE
607	20001	72	LIN FT	FENCE, TYPE CL, AS PER PLAN
607	20101	9	LIN FT	FENCE, TYPE CL, MISC. HT., AS PER PLAN
SPECIAL	6073990	15	LIN FT	VANDAL PROTECTION FENCE, 8' STRAIGHT, COATED FABRIC
516	14600	100	LIN FT	STRUCTURAL JOINT OR JOINT SEALER, MISC.: 2"x4" SEALER, AS PER PLAN
516	14600	50	LIN FT	SEAL JOINT BETWEEN ABUTMENT AND CONCRETE SLOPE PROTECTION
518	63300	LUMP	L.S.	SCUPPER AND DRAINAGE PIPE CLEANOUT
601	21100	2	S.Y.	REPAIR CONCRETE SLOPE PROTECTION

\* SEE PROPOSAL NOTE

**PROPOSED WORK**

1. INSTALL VANDAL PROTECTION FENCE.
2. SEAL DECK EXPANSION JOINT WITH STRIP SEAL.
3. PAINT STRUCTURAL STEEL WITH SYSTEM OZEU.
4. SEAL ABUTMENTS AND PIERS.
5. TRAFFIC SHALL BE MAINTAINED ON I-71 AT ALL TIMES. FOR NOTES, SEE MAINTENANCE OF TRAFFIC PLANS.
6. OTHER WORK AS DESCRIBED IN THESE PLANS.

**CONCRETE SURFACES TO BE SEALED**

1. ABUTMENT BACKWALL, SEAT AND EXPOSED BREASTWALL - EPOXY.
2. PIER 1 ~ TOP WITH EPOXY, EXPOSED STEM WITH NON-EPOXY.
3. PIER 2 ~ TOP AND SIDES OF STEM WITH NON-EPOXY.

**WOOLPERT CONSULTANTS**  
 409 E. MONUMENT AVENUE  
 DAYTON, OHIO 45402-1226  
 (513) 461-5660

1/2

**GENERAL SITE PLAN, NOTES, AND ESTIMATED QUANTITIES**

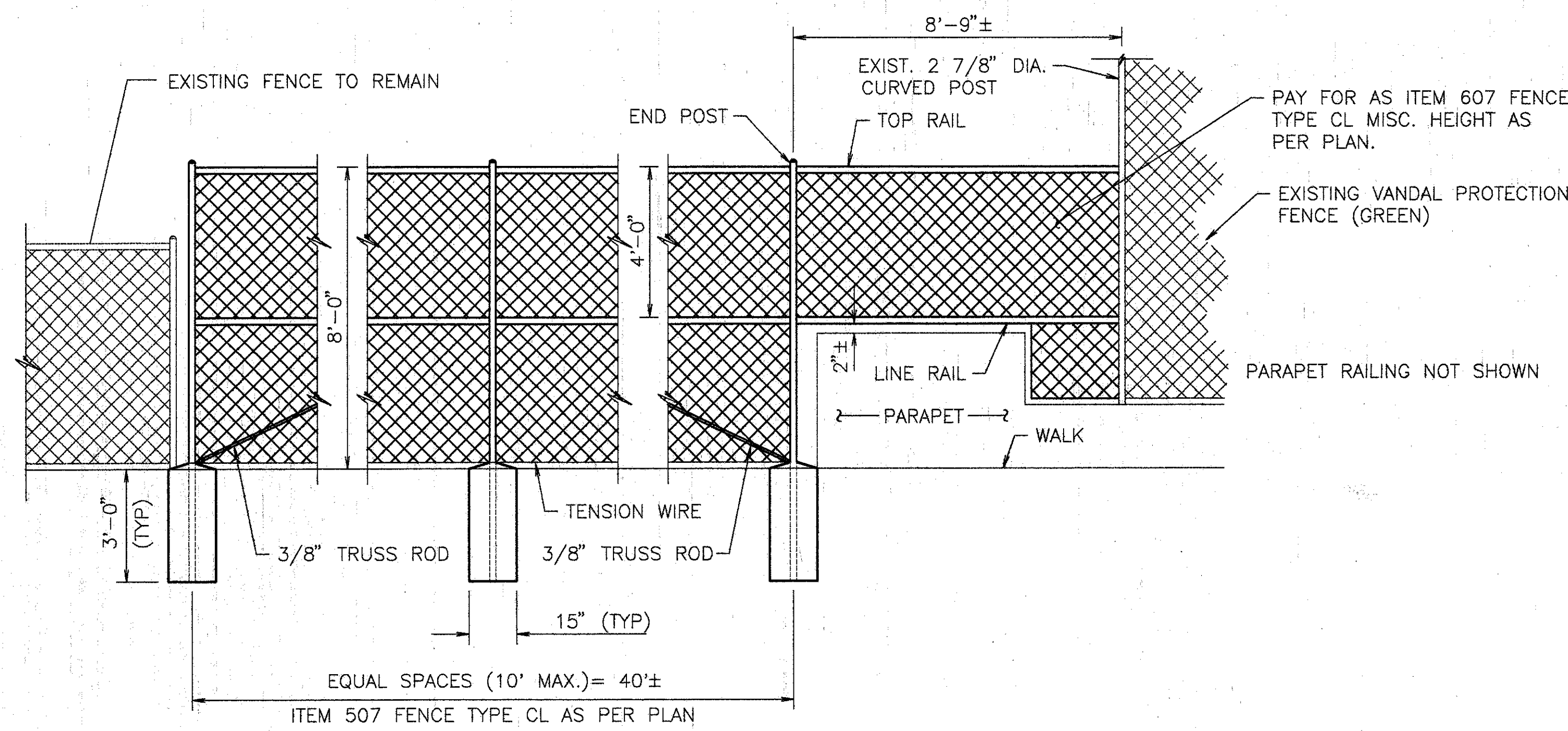
BRIDGE NO. HAM-71-0226  
 PENN. R.R. OVER I-71

HAMILTON COUNTY

DESIGNED	DRAWN	TRACED	CHECKED	REVIEWED	DATE	REVISED
L.A.T.M.	D.E.E.		M.A.A.	DEM	11/11/94	

Lot# Plot: 5271, 19, 1981, © R14 AM  
 C:\STN\1896-03\11 Lot Revision By: BOCH MAY 18, 1994 @ 7:08 AM

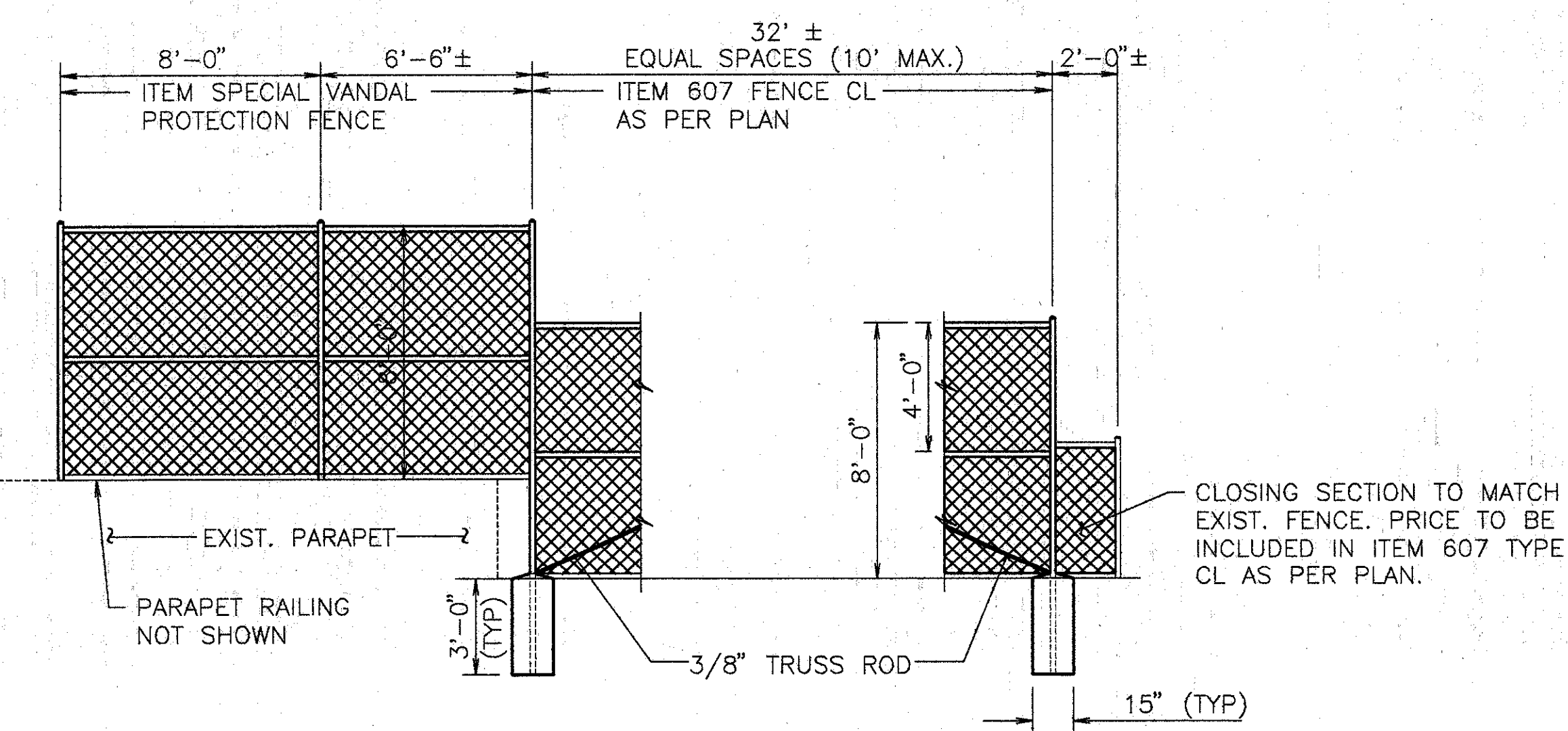




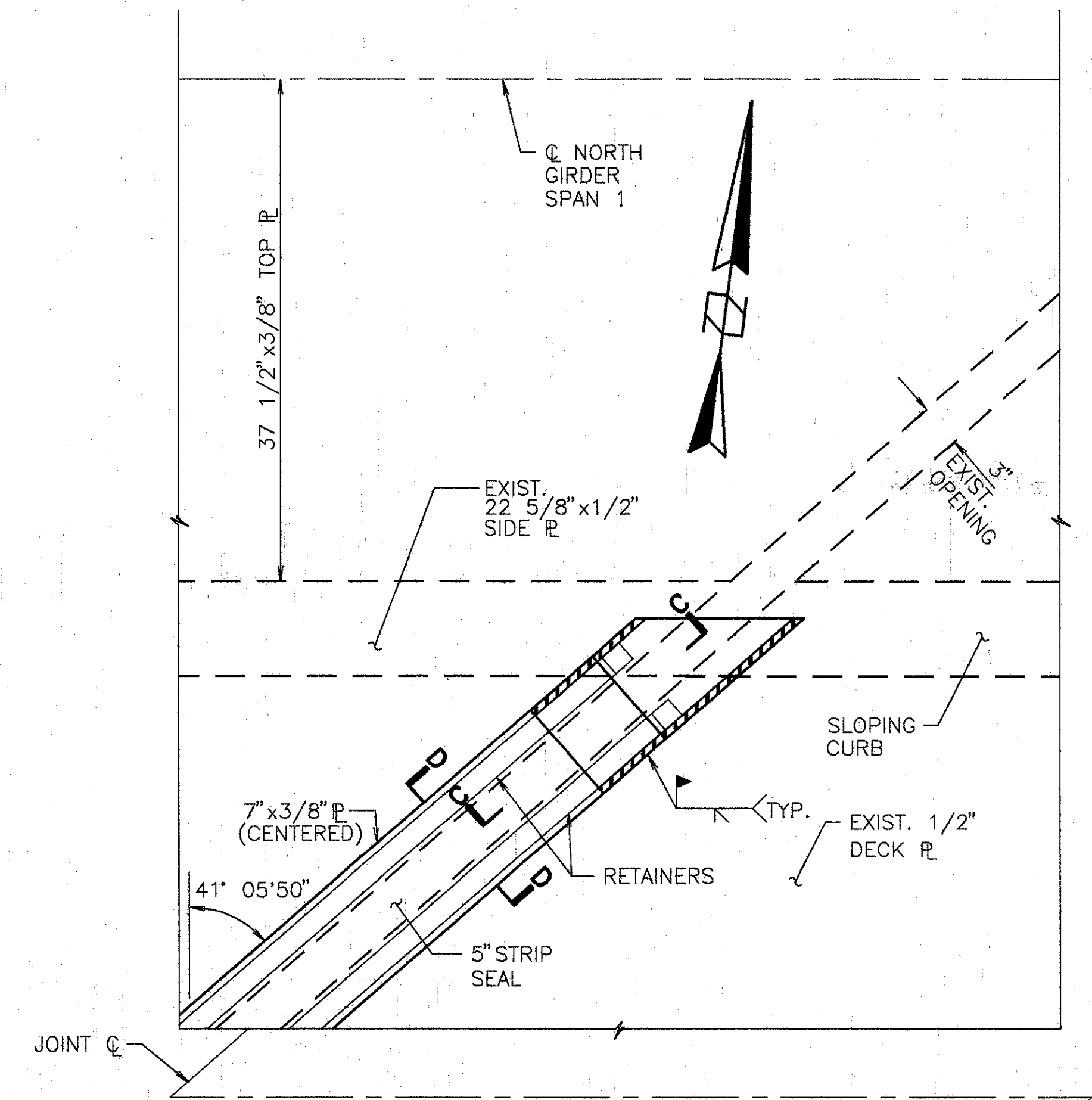
**VIEW A-A**

**FENCE NOTES:**

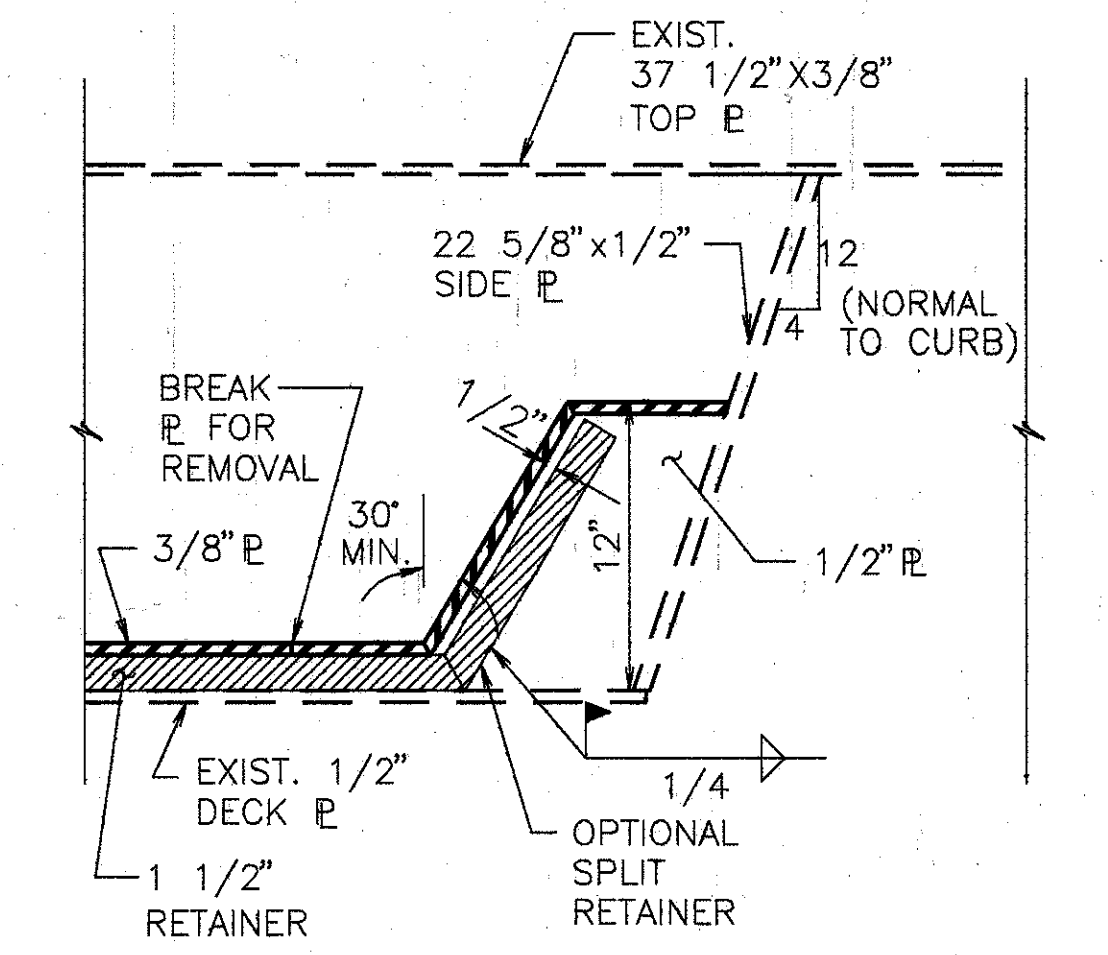
MATERIAL FOR ITEM 607 FENCE TYPE CL AS PER PLAN AND ITEM 607 FENCE TYPE MISC. HEIGHT AS PER PLAN SHALL MEET THE REQUIREMENTS OF VANDAL PROOF FENCE, 8' STRAIGHT, COATED FABRIC AS SHOWN ON SHEET 1 & 5 OF STANDARD DRAWING VPF-1-90, EXCEPT AS SHOWN. COLOR OF PROPOSED FENCE SHALL MATCH EXISTING FENCE ON ELSNORE AVE. (DARK GREEN).



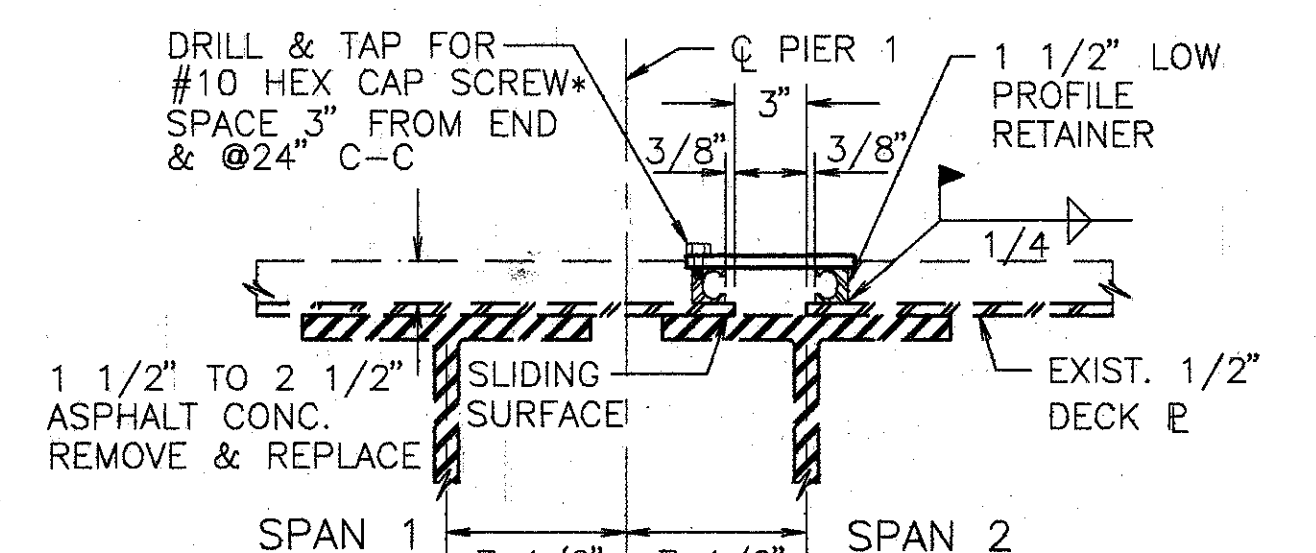
**VIEW B-B**



**PARTIAL EXPANSION JOINT MODIFICATION**



**SECTION C-C**



**SECTION D-D**

\*SCREWS TO BE STAINLESS STEEL, ASTM A276, TYPE 310.

- NOTES:
1. RETAINERS AND STEEL R'S SHALL BE ASTM A588 STEEL AND PAINTED AS SPECIFIED FOR THE EXISTING STRUCTURAL STEEL.
  2. REMOVE EXISTING JOINT SEALER FROM JOINT, REMOVE AND REPLACE EXISTING ASPHALT CONCRETE AND BALLAST AS REQUIRED TO CONSTRUCT JOINT.
  3. STRIP SEAL SHALL BE INSTALLED IN ONE CONTINUOUS PIECE (NO OPEN JOINTS).
  4. FOR STRIP SEAL, SPLIT RETAINER AND OTHER DETAILS NOT SHOWN SEE STD. DRAWING EXJ-4-87.
  5. ALL WORK REQUIRED AND SPECIFIED HEREIN TO PROVIDE A WATER-TITE EXPANSION JOINT SHALL BE INCLUDED IN THE PRICE BID FOR ITEM 516 STRUCTURAL EXPANSION JOINT INCLUDING STRIP SEAL.

**WOOLPERT CONSULTANTS**  
 409 E. MONUMENT AVENUE  
 DAYTON, OHIO 45402-1226  
 (513) 461-5660

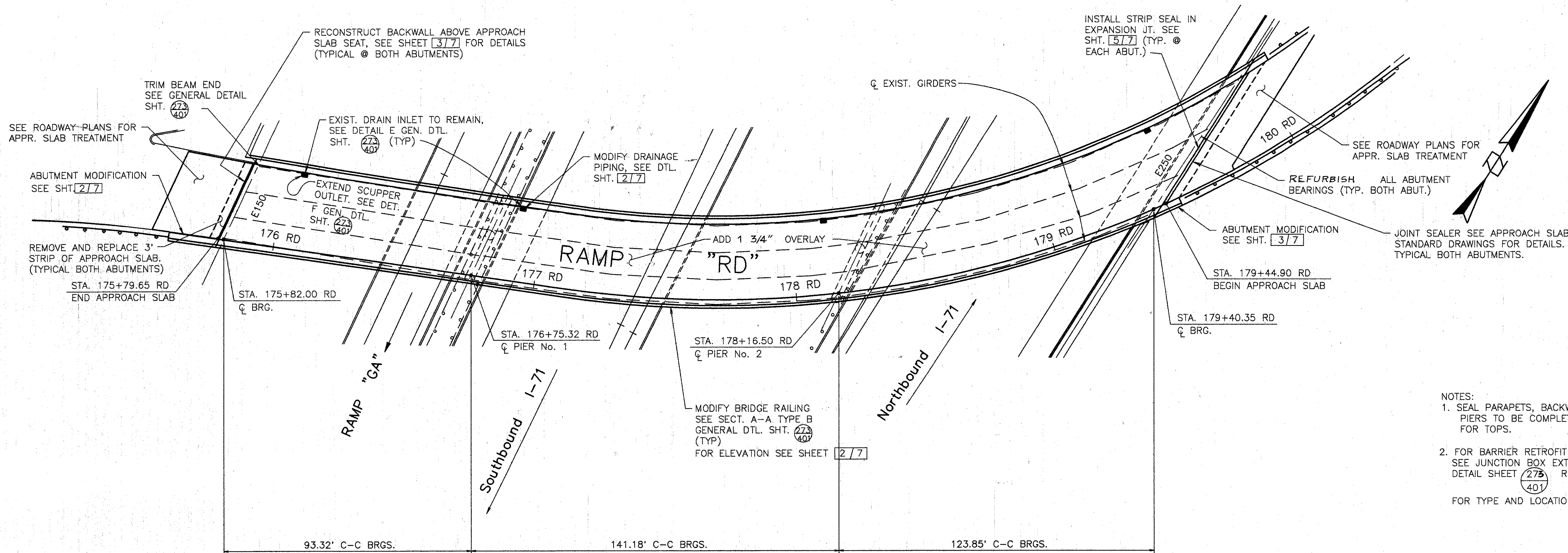
**EXPANSION JOINT AND FENCING DETAILS**

BRIDGE NO. HAM-71-0226  
 PENN. R.R. OVER I-71

HAMILTON COUNTY

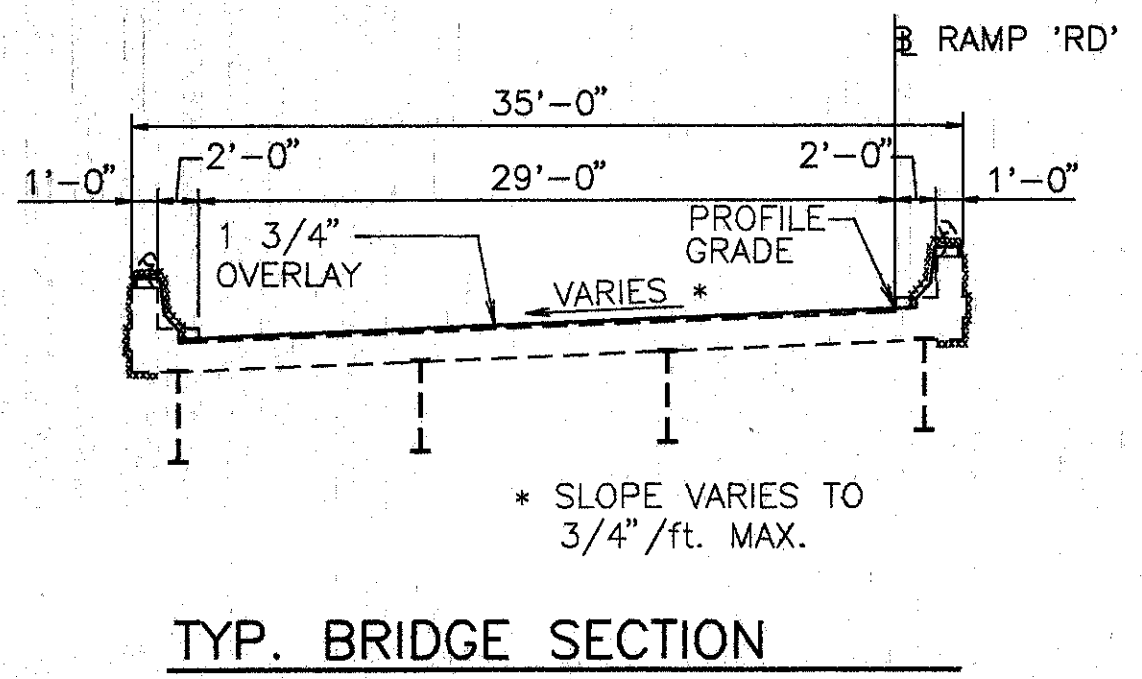
DESIGNED	DRAWN	TRACED	CHECKED	REVIEWED	DATE	REVISED
L.A.T.M.	D.E.E.		M.A.A.	DEM	11/11/94	

11/11/94 8:16 AM  
 02/27/95 10:59 AM  
 03/13/95 10:59 AM



- NOTES:
- SEAL PARAPETS, BACKWALLS, AND PIERS. PIERS TO BE COMPLETELY SEALED EXCEPT FOR TOPS.
  - FOR BARRIER RETROFIT AT JUNCTION BOXES, SEE JUNCTION BOX EXTENSION DETAIL, GENERAL DETAIL SHEET [2/7] (401) REFER TO LIGHTING DETAILS FOR TYPE AND LOCATION.

PLAN



SLIDING OR FIXED P SIZE	JACK CAPACITY REQ'D. (MIN)
E150	100 TON
E250	150 TON

**EXISTING STRUCTURE**

TYPE: CONTINUOUS STEEL GIRDER WITH REINFORCED CONCRETE DECK & SUBSTRUCTURE  
 SPANS: 93.32', 141.18' & 123.85' C/C BRGS.  
 MEASURED ALONG C  
 ROADWAY: 29'-0" F/F CURBS  
 SKEW: VARIES, SEE PLAN  
 LOADING FREQUENCY: C.F.=2000 (57) ADEQUATE FOR AASHO ALTERNATE LOADING  
 WEARING SURFACE: 1" MONOLITHIC CONCRETE  
 APPROACH SLABS: AS-1-54 (25'-0" LONG)  
 ALIGNMENT: TANGENT & 14'00"00" CURVE LEFT  
 SUPERELEVATION: VARIES, SEE PLAN  
 CURB: 2'-0" EACH SIDE

**WOOLPERT CONSULTANTS**  
 409 E. MONUMENT AVENUE  
 DAYTON, OHIO 45402-1226  
 (513) 461-5680

**GENERAL PLAN**

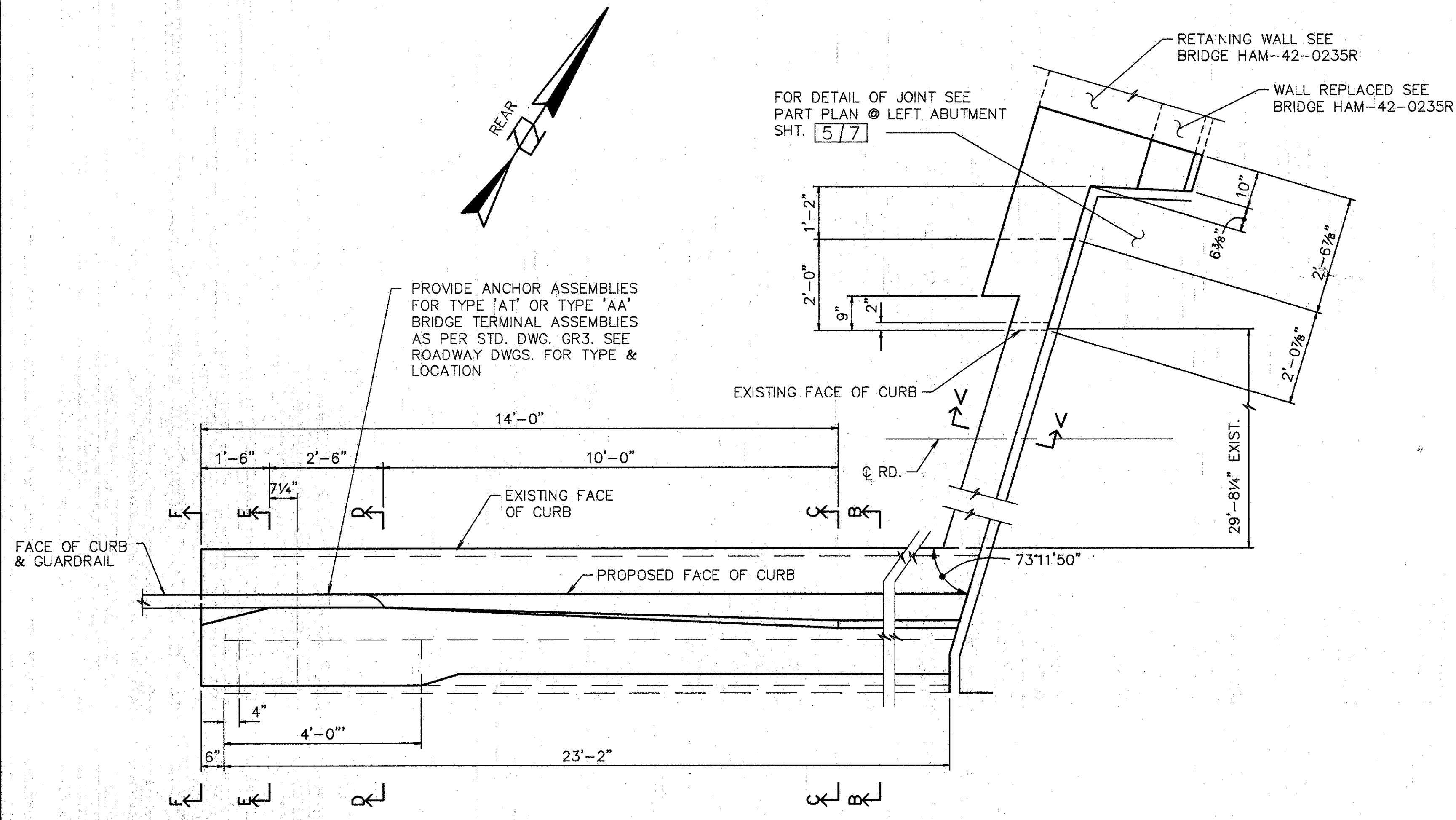
BRIDGE NO. HAM-71-0228 RAMP OVER I-71

HAMILTON COUNTY

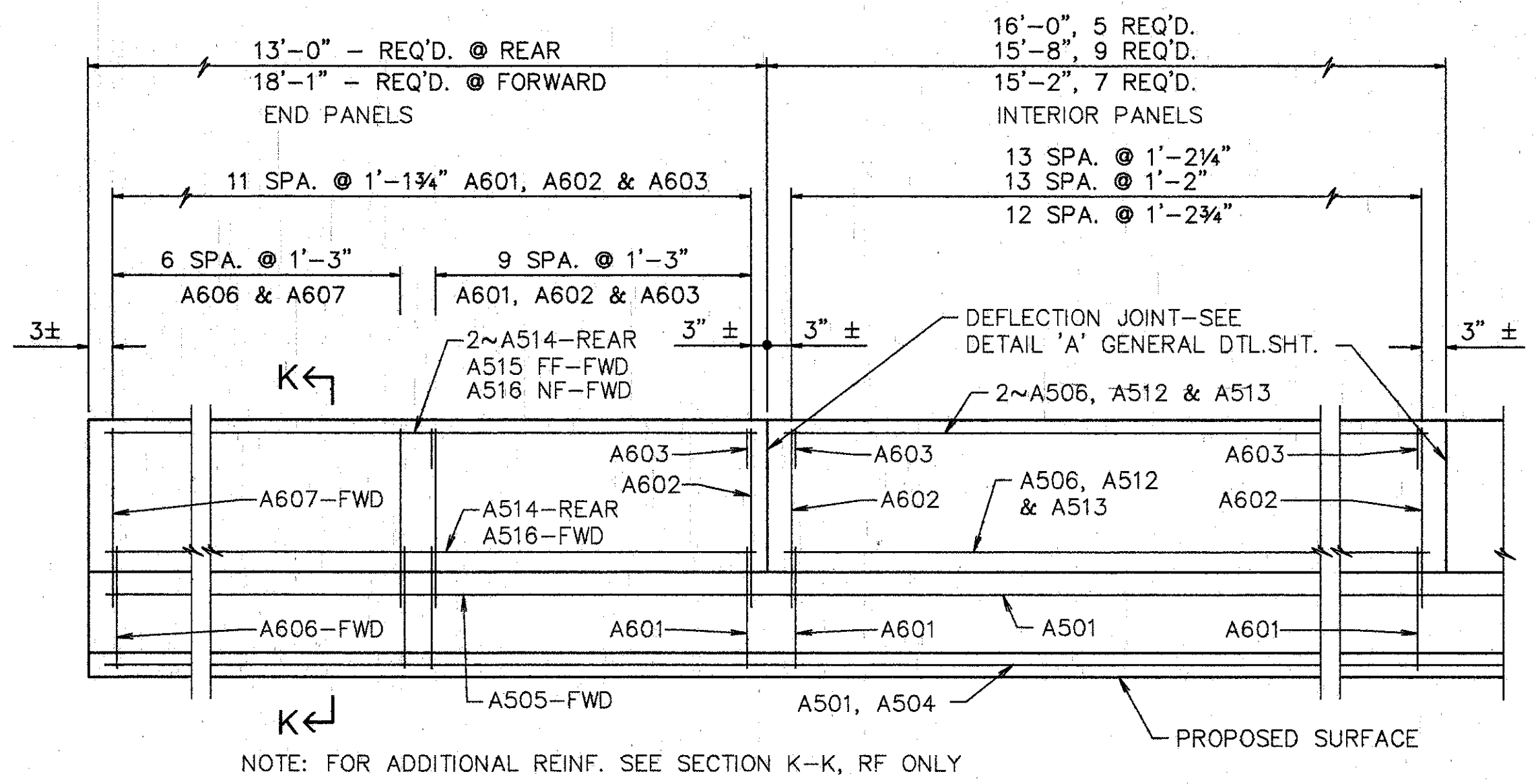
DESIGNED	DRAWN	TRACED	CHECKED	REVIEWED	DATE	REVISED
L.A.T.M.	D.E.E.		M.A.A.	DEM	11/11/94	

Last Plot: MAY 15, 1991 @ 7:09 PM  
 C:\STN\0596-00\71-0228.Lot Plot Revision By: D.E.E. APR. 1, 1994 @ 5:54 PM

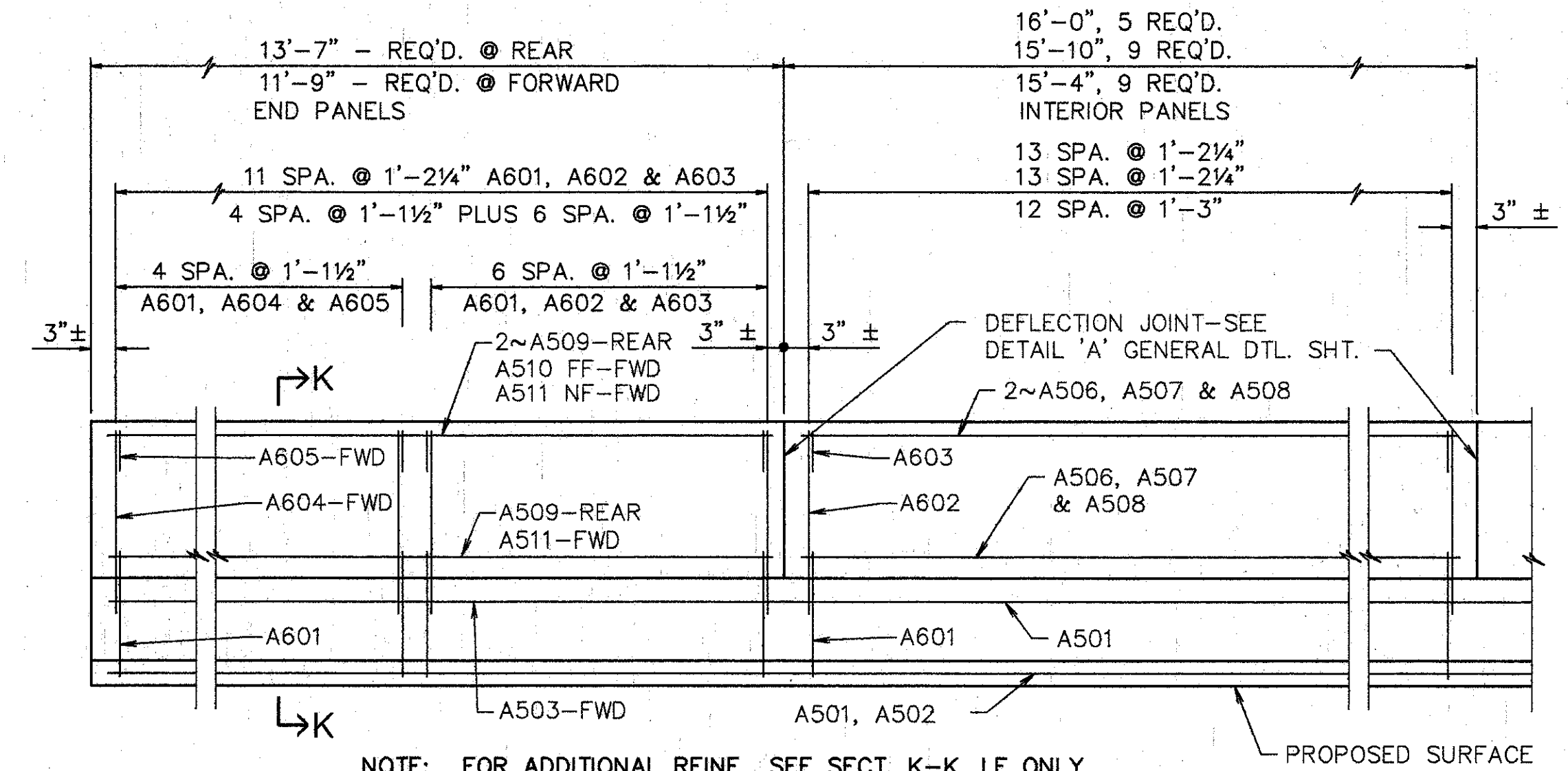




PLAN - REAR ABUTMENT MODIFICATION

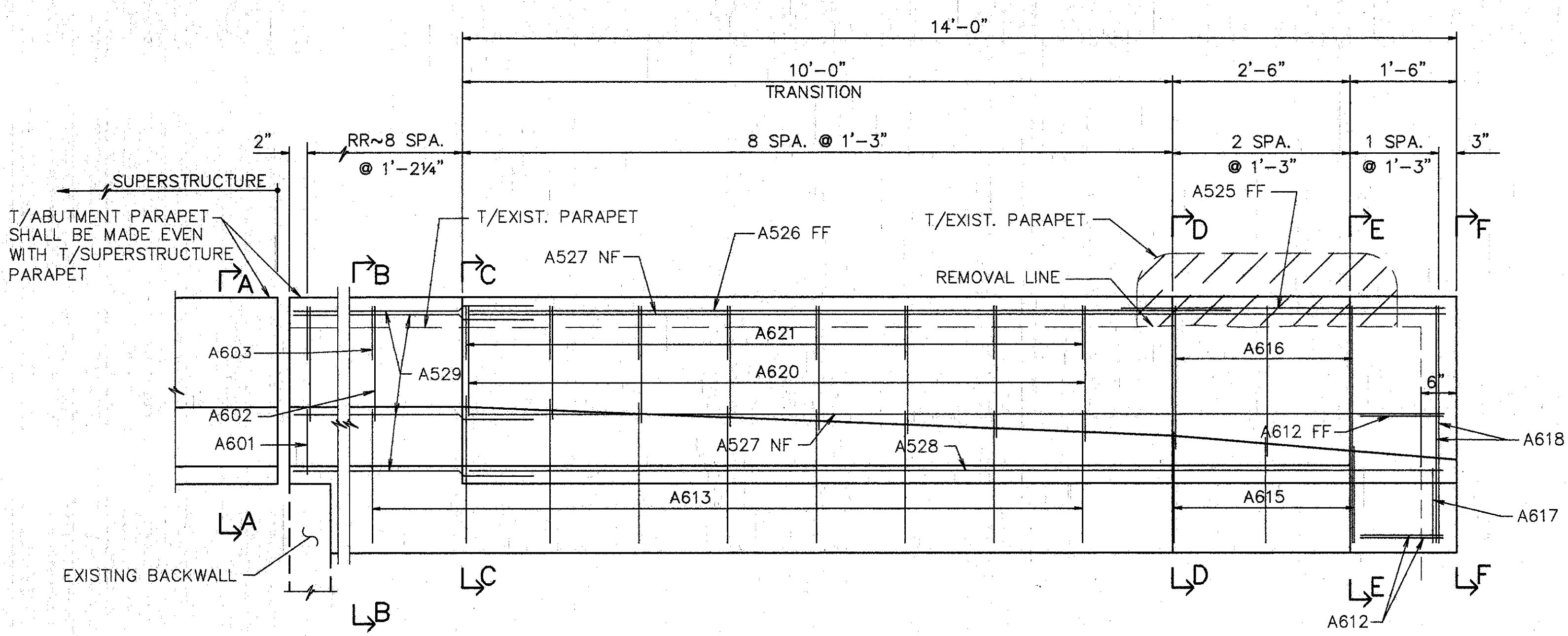


ELEVATION SUPERSTRUCTURE PARAPET - RIGHT



ELEVATION SUPERSTRUCTURE PARAPET - LEFT

NOTES:  
 L DENOTES LEFT SIDE  
 R DENOTES RIGHT SIDE  
 RF DENOTES RIGHT FORWARD  
 LF DENOTES LEFT FORWARD  
 RR DENOTES RIGHT REAR  
 LR DENOTES LEFT REAR  
 NF DENOTES NEAR FACE  
 FF DENOTES FAR FACE



ELEVATION RIGHT-REAR

FOR DETAILS NOT SHOWN, SEE SHTS. 3, 4, & 577

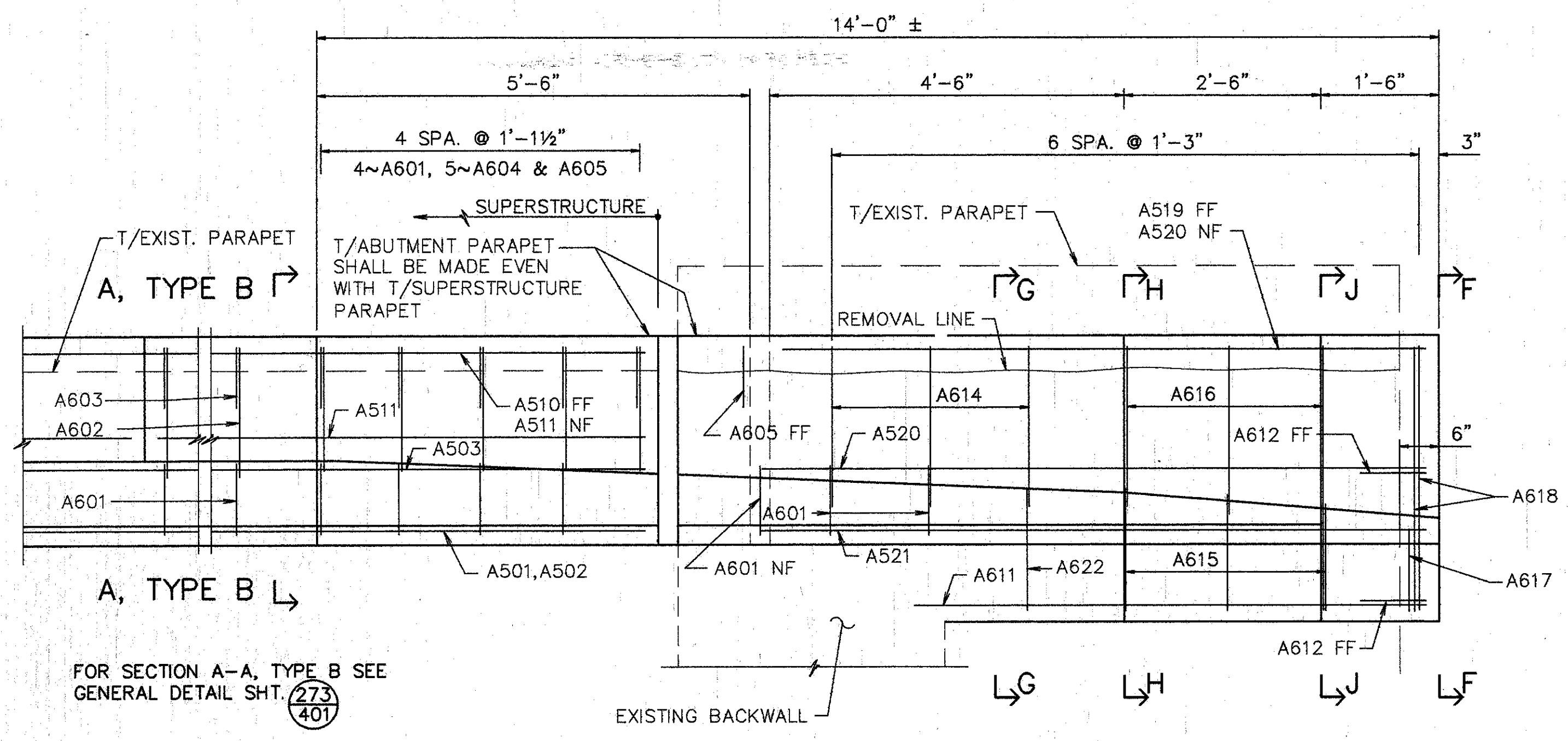
FOR SECTION A-A SEE GENERAL DETAIL SHT. 273 401

**WOOLPERT CONSULTANTS**  
 409 E. MONUMENT AVENUE  
 DAYTON, OHIO 45402-1226  
 (513) 461-5660

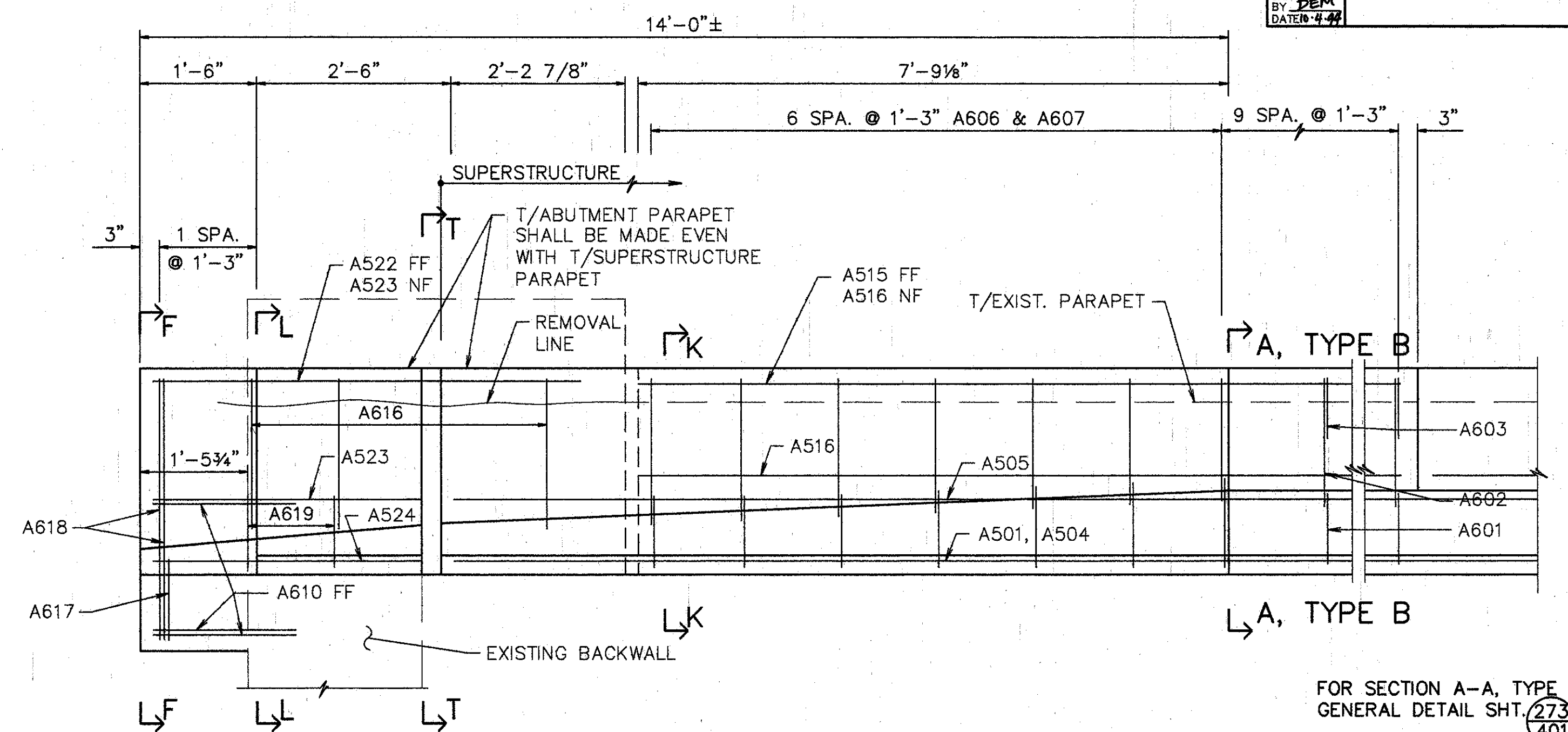
**ABUTMENT PLAN & PARAPET ELEVATIONS**  
 BRIDGE NO. HAM-71-0228 RAMP  
 OVER I-71  
 HAMILTON COUNTY

DESIGNED	DRAWN	TRACED	CHECKED	REVIEWED	DATE	REVISED
L.A.T.M.	D.E.E.		M.A.A.	DEM11/11/94		

Last Plot MAY 15, 1991 @ 2:26 PM  
 C:\PLOT\WOLPERT-03\0228R12.Lot Revision By: R.M.J. SPT. 23, 1991 @ 8:38 AM



ELEVATION LEFT-FORWARD



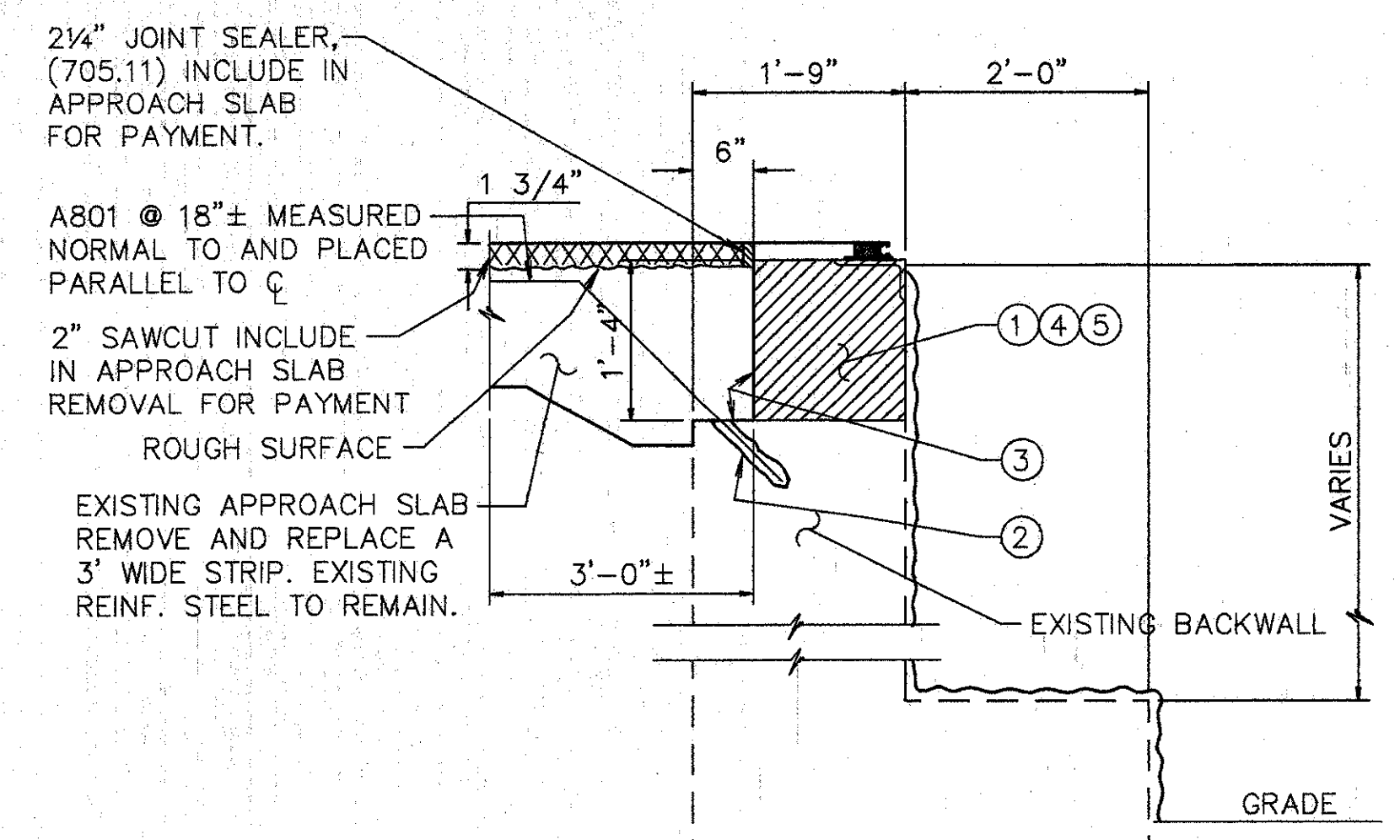
ELEVATION RIGHT-FORWARD

NOTES FOR SECTION V-V

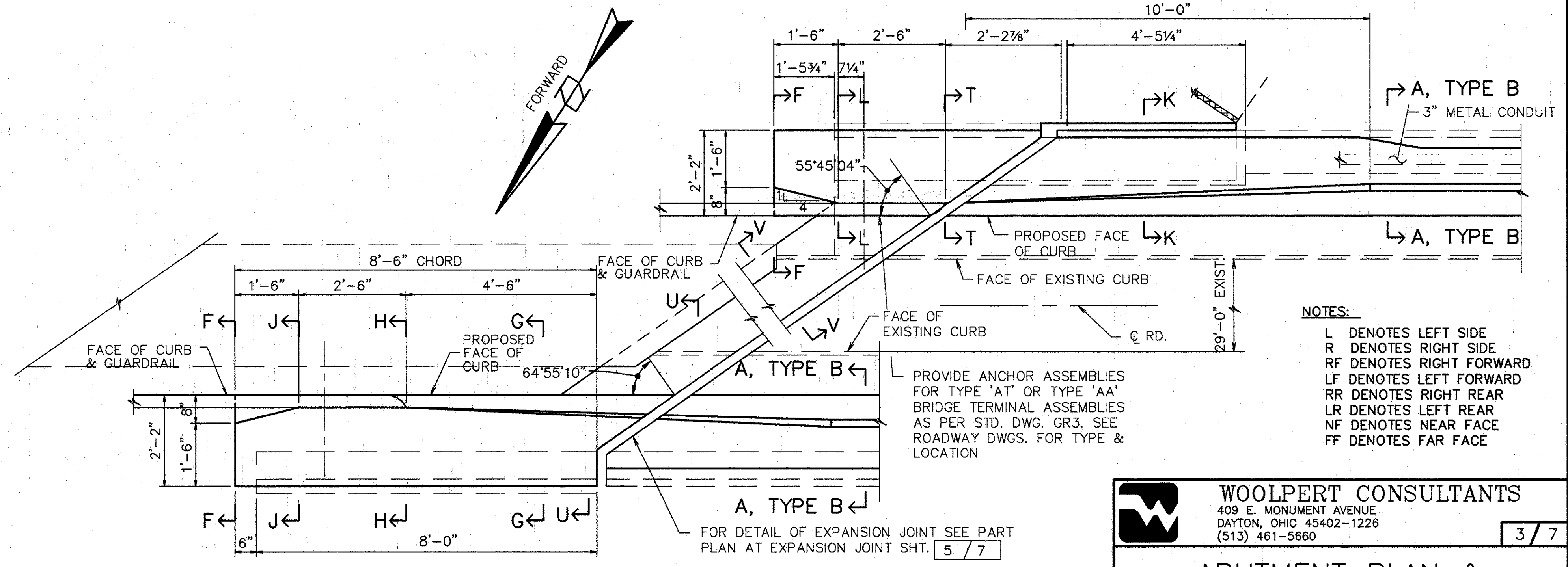
- 1 EXISTING REINFORCING STEEL TO REMAIN ~ REINFORCING STEEL DAMAGED TO BE REPLACED AT CONTRACTORS EXPENSE.
- 2 1' MIN. EMBEDMENT (SEE DOWEL HOLE GENERAL NOTE) ITEM 510.
- 3 TYPE 'A' WATERPROOFING (PAYMENT INCLUDED IN THE PRICE BID FOR APPROACH SLAB).
- 4 CLASS 'C' CONCRETE, ABUTMENT RECONSTRUCTION.
- 5 PROVIDE CONTRACTION AND EXPANSION JOINTS TO MATCH THOSE IN EXISTING BACKWALL AND PROVIDE CONSTRUCTION JOINTS AS REQUIRED TO MAINTAIN TRAFFIC. PAYMENT TO BE INCLUDED IN PRICE BID FOR ITEM 511 CLASS C CONCRETE RECONSTRUCTION.

EXISTING CONCRETE TO BE REMOVED INCLUDE IN ITEM 202 FOR PAYMENT.

SURFACE TO BE SEALED UNDER ITEM SPECIAL- 'SEALING OF CONCRETE SURFACE, EPOXY'.



SECTION V-V



PLAN - FORWARD ABUTMENT MODIFICATION

- NOTES:
- L DENOTES LEFT SIDE
  - R DENOTES RIGHT SIDE
  - RF DENOTES RIGHT FORWARD
  - LF DENOTES LEFT FORWARD
  - RR DENOTES RIGHT REAR
  - LR DENOTES LEFT REAR
  - NF DENOTES NEAR FACE
  - FF DENOTES FAR FACE

**WOOLPERT CONSULTANTS**  
 409 E. MONUMENT AVENUE  
 DAYTON, OHIO 45402-1226  
 (513) 461-5660

**ABUTMENT PLAN & PARAPET ELEVATIONS**

BRIDGE NO. HAM-71-0228 RAMP OVER I-71

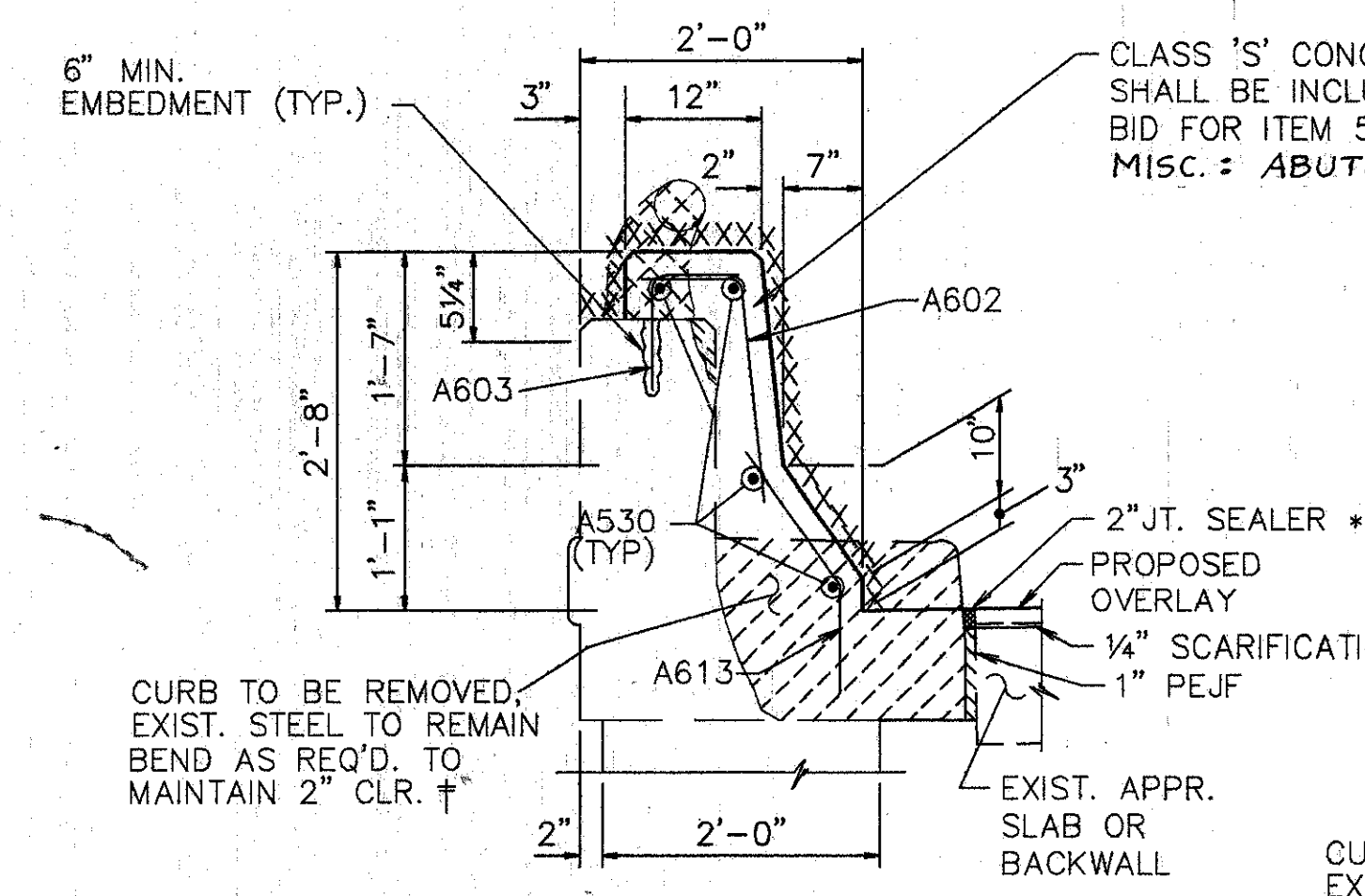
HAMILTON COUNTY

DESIGNED	DRAWN	TRACED	CHECKED	REVIEWED	DATE	REVISED
L.A.T.M.	D.E.E.		M.A.A.	DEM11/11/94		

3/7

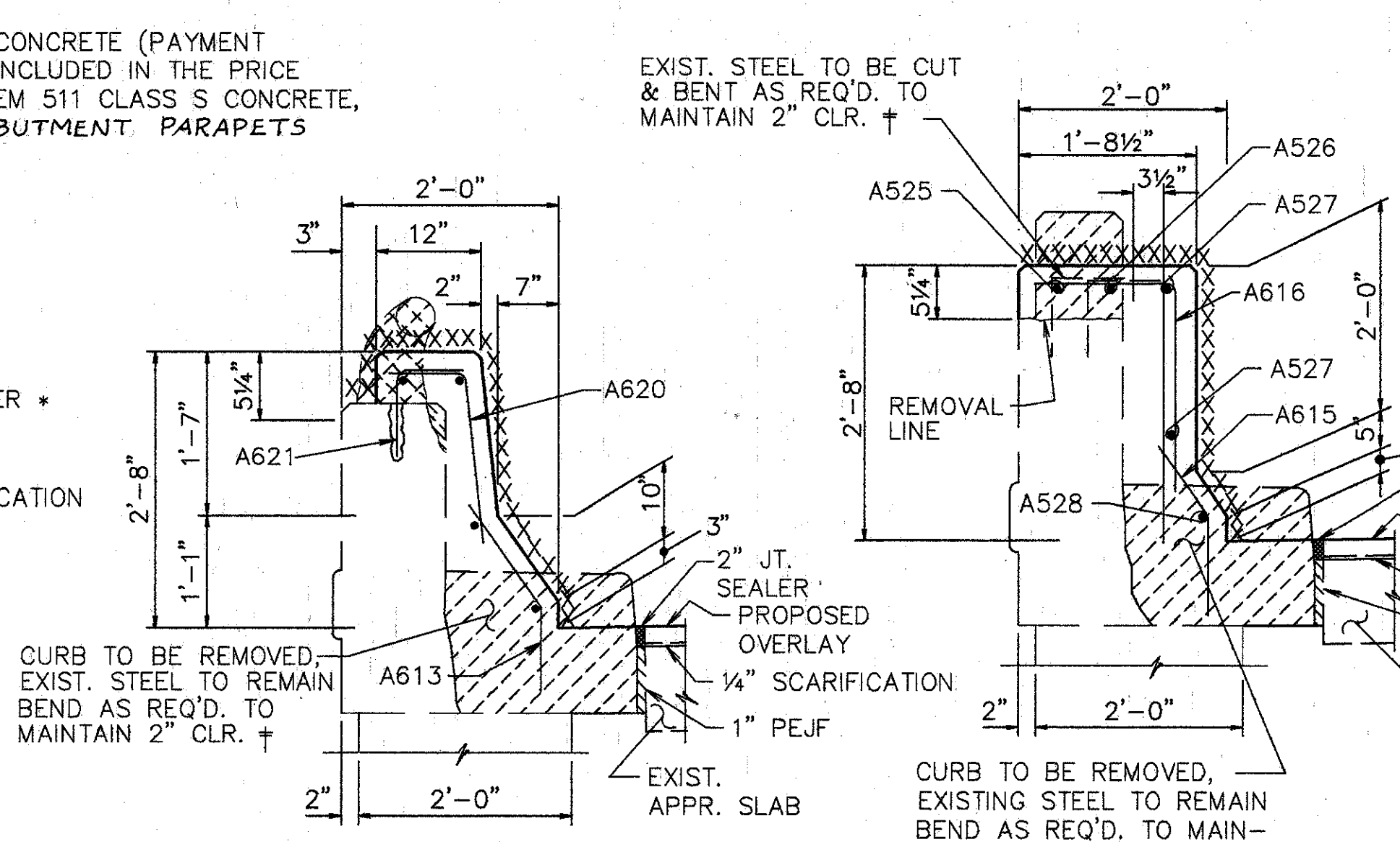
Last Plot MAY 15, 1991 @ 2:28 PM  
 G:\VTR\16596-00\228R12.Lot Revision By: D.E.E. APR. 4, 1994 @ 6:55 AM



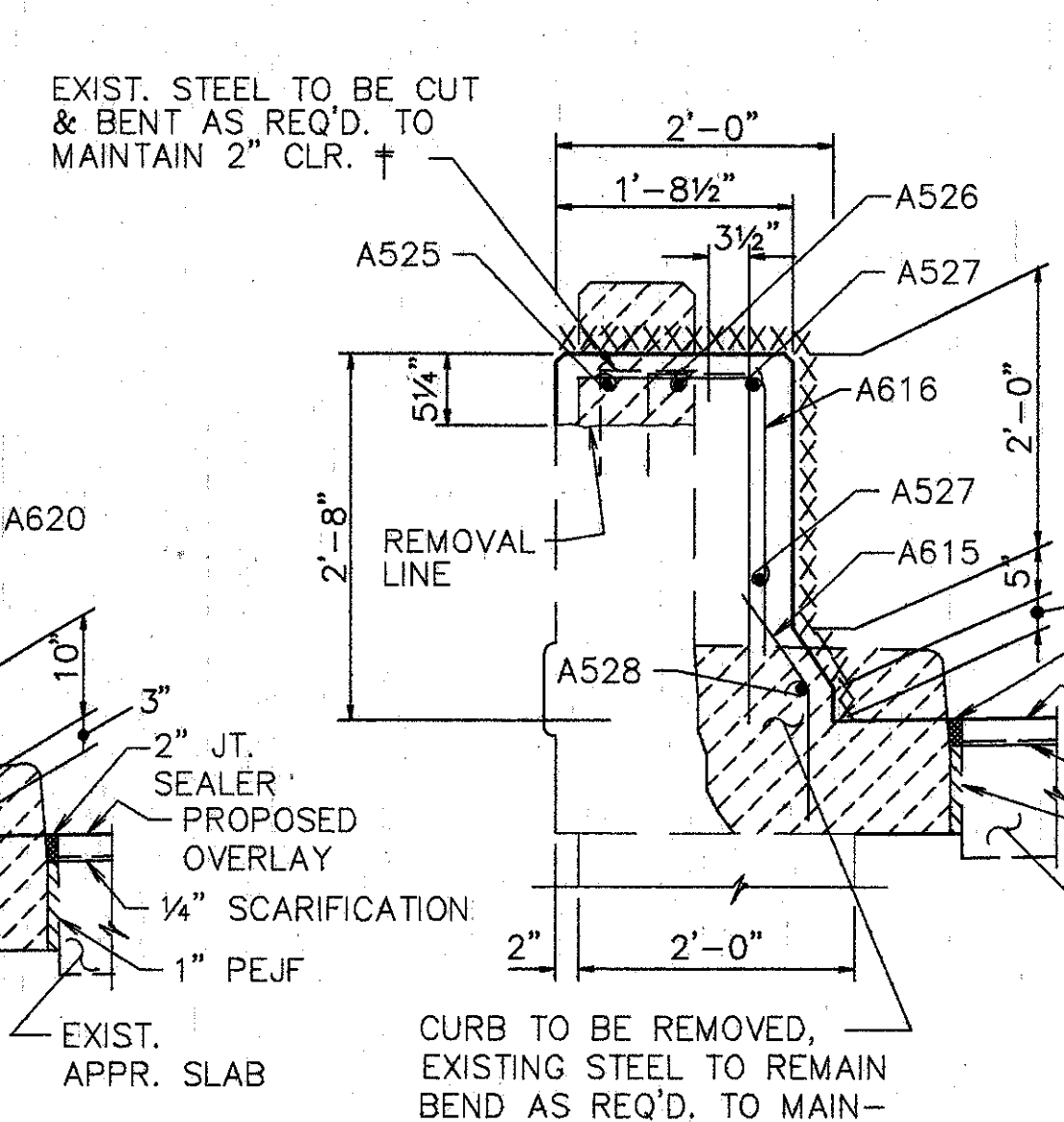


**SECTION B-B**  
 \* 2" JOINT SEALER & 1" PEJF ARE PLACED ONLY WHEN SECTION IS NEXT TO APPROACH SLAB.

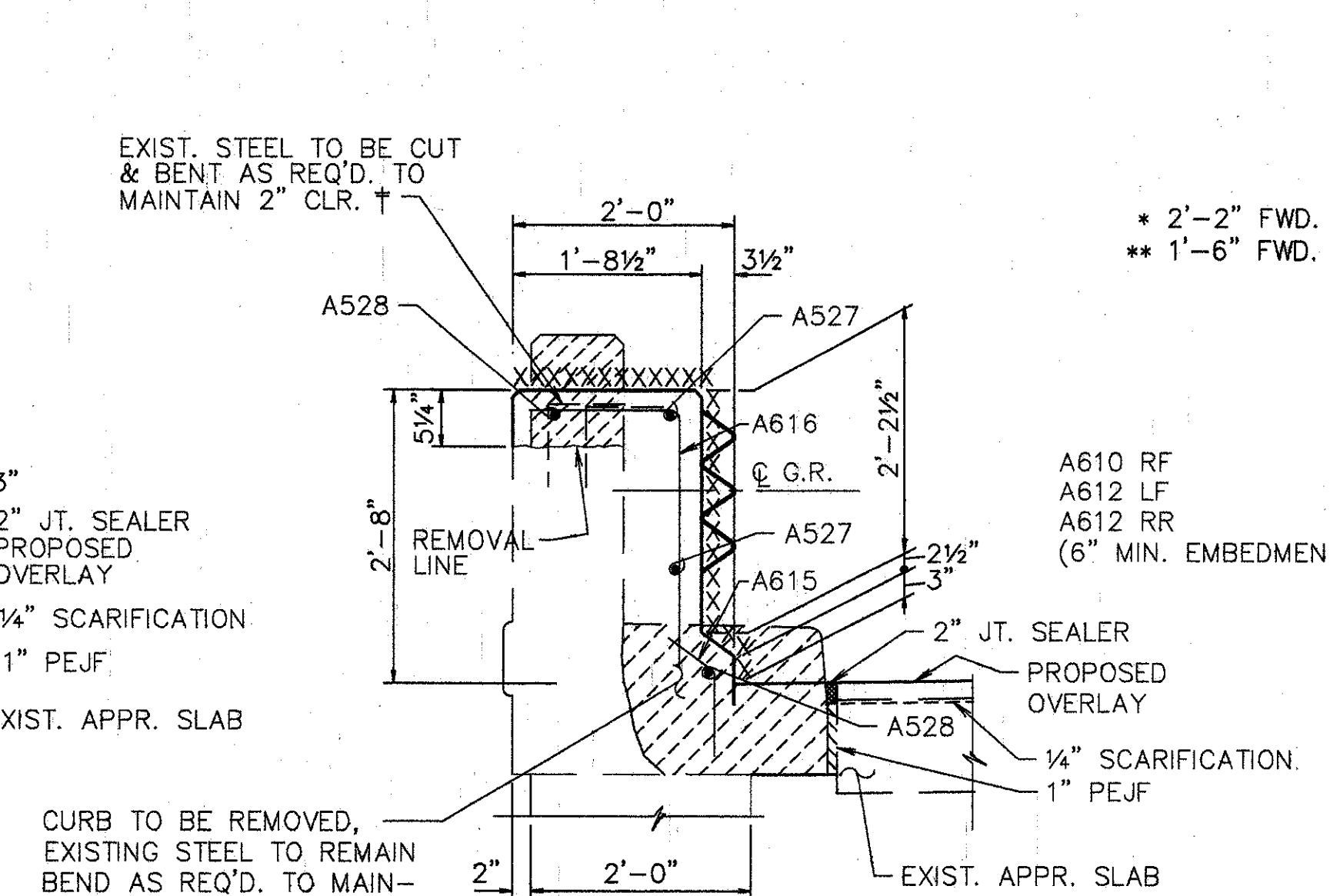
NOTE: WHEN SECTION IS ON BACKWALL, CONCRETE SHALL BE REMOVED TO THE SCARIFICATION LEVEL ONLY AND THE A613 BARS SHALL BE EMBEDDED (6" MIN) INTO ABUTMENT. FOR REFERENCE SEE SECTION A-A TYPE B, GEN. DTL. 27/407



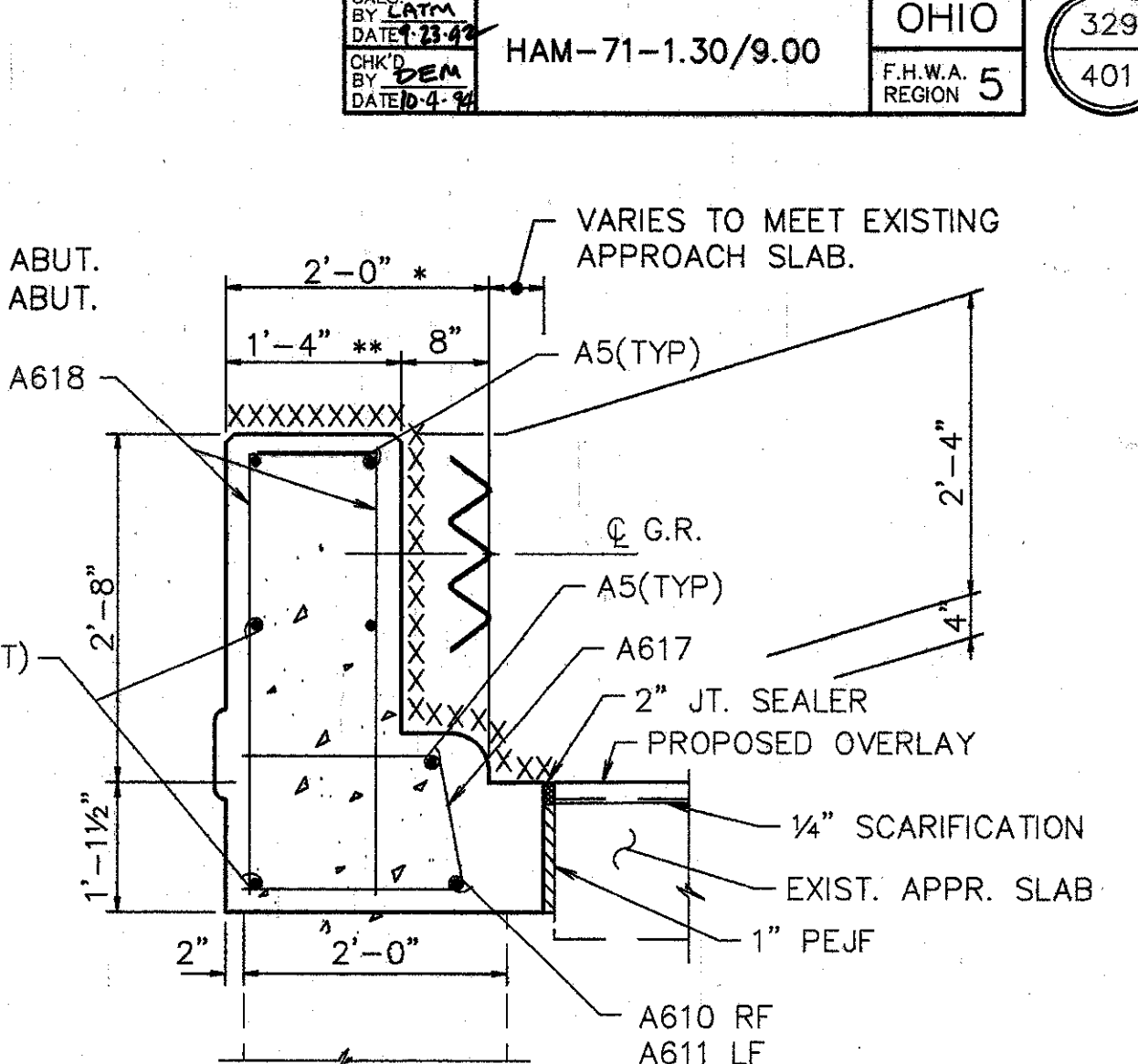
**SECTION C-C**



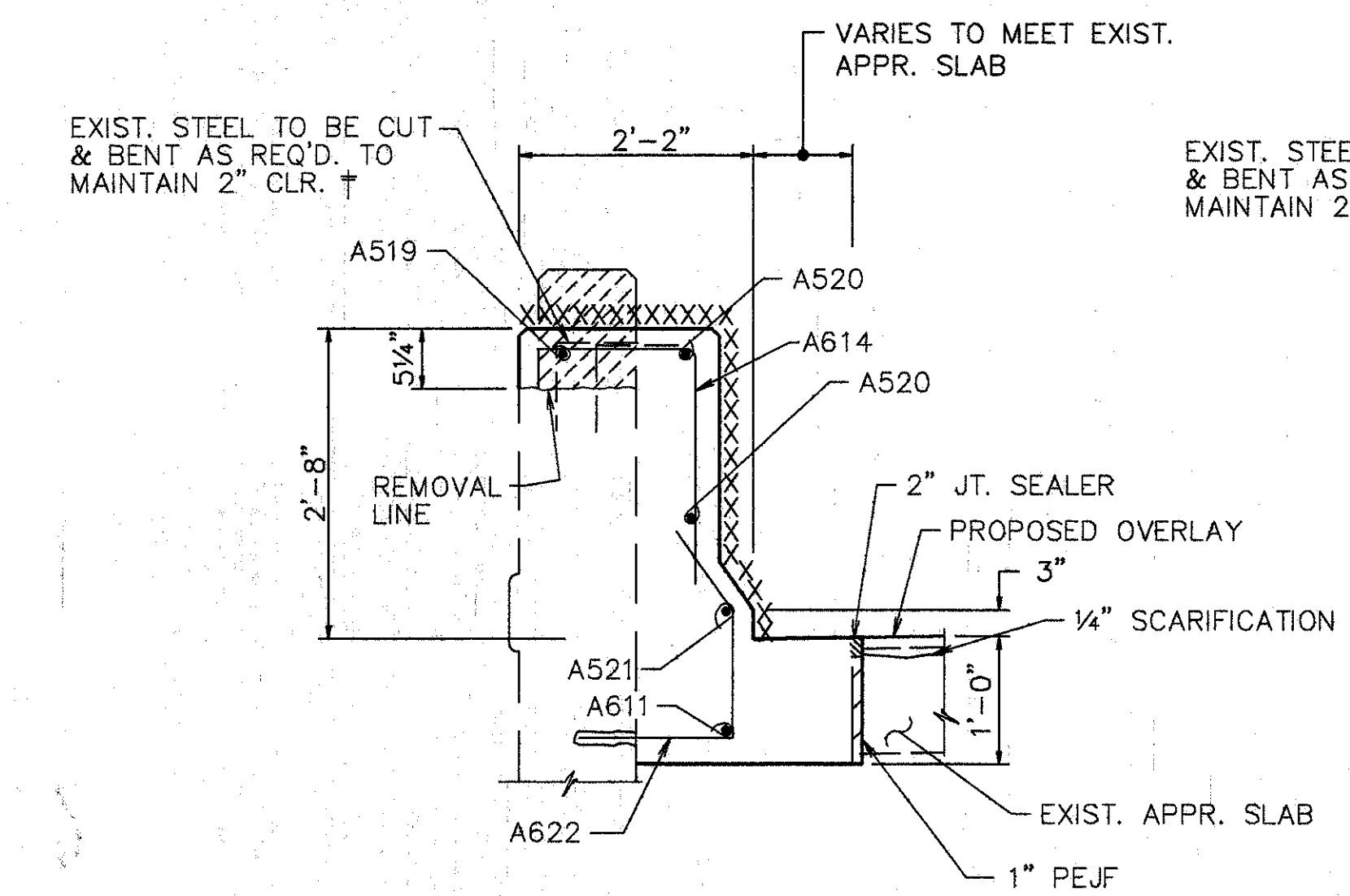
**SECTION D-D**



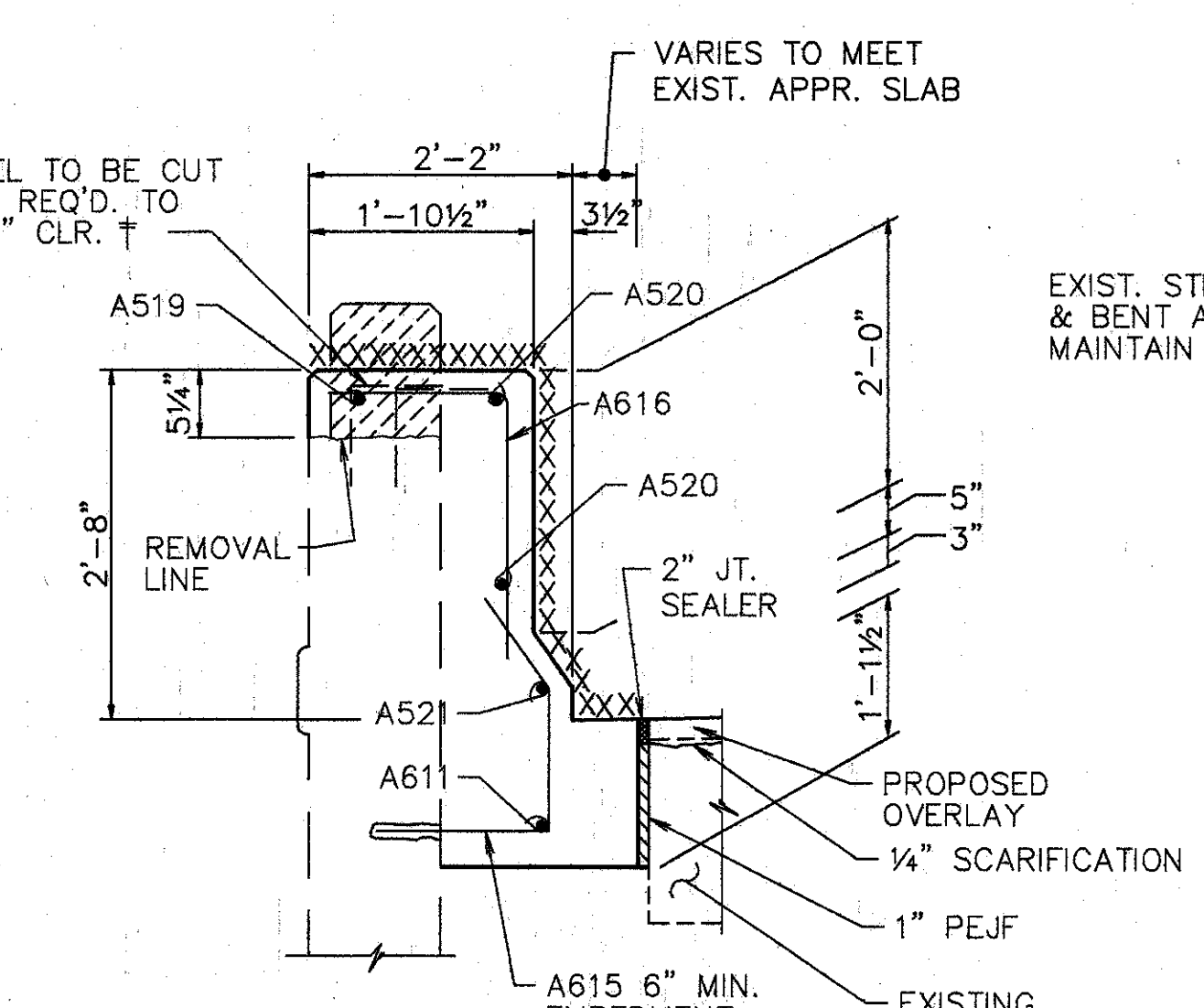
**SECTION E-E**



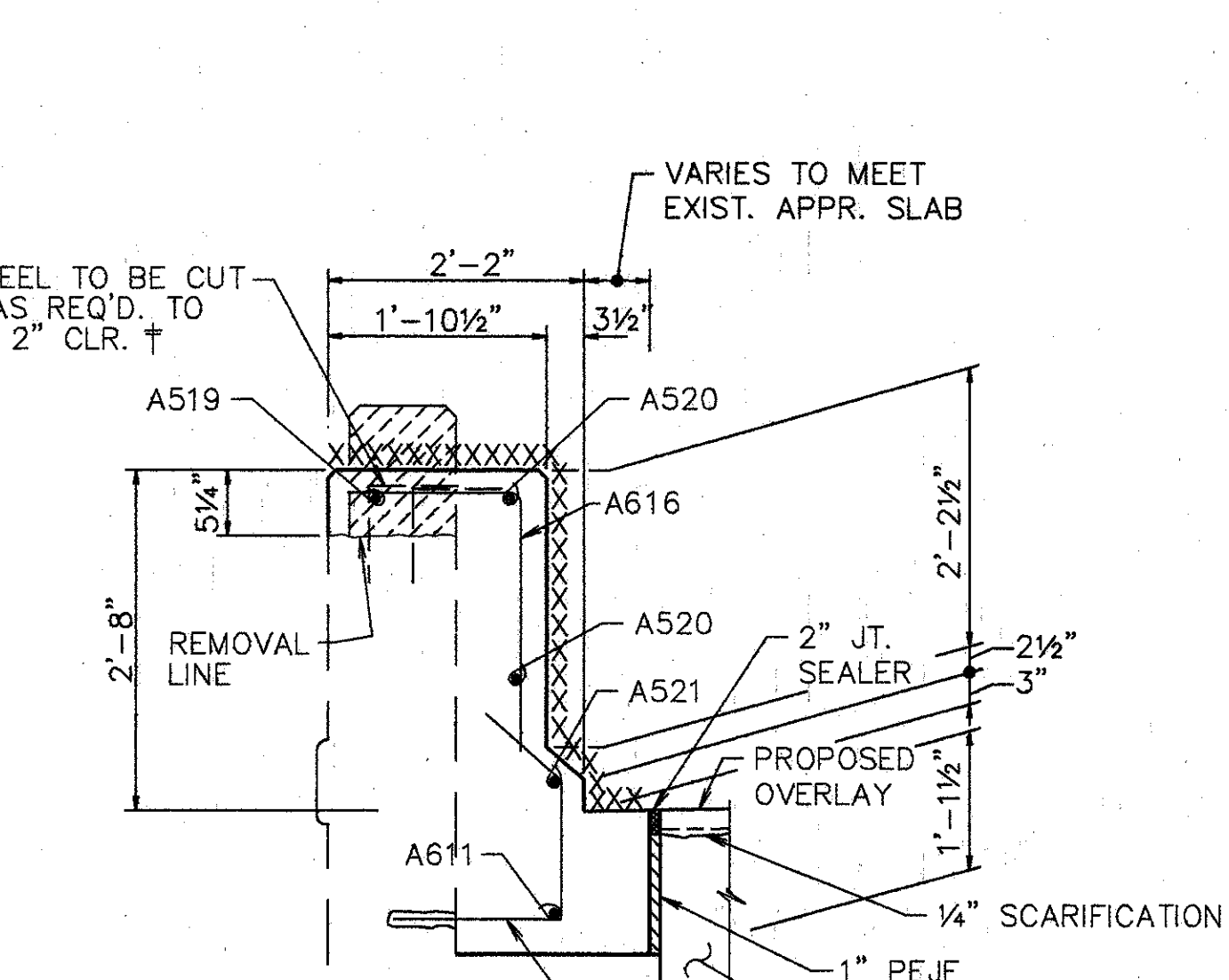
**SECTION F-F**



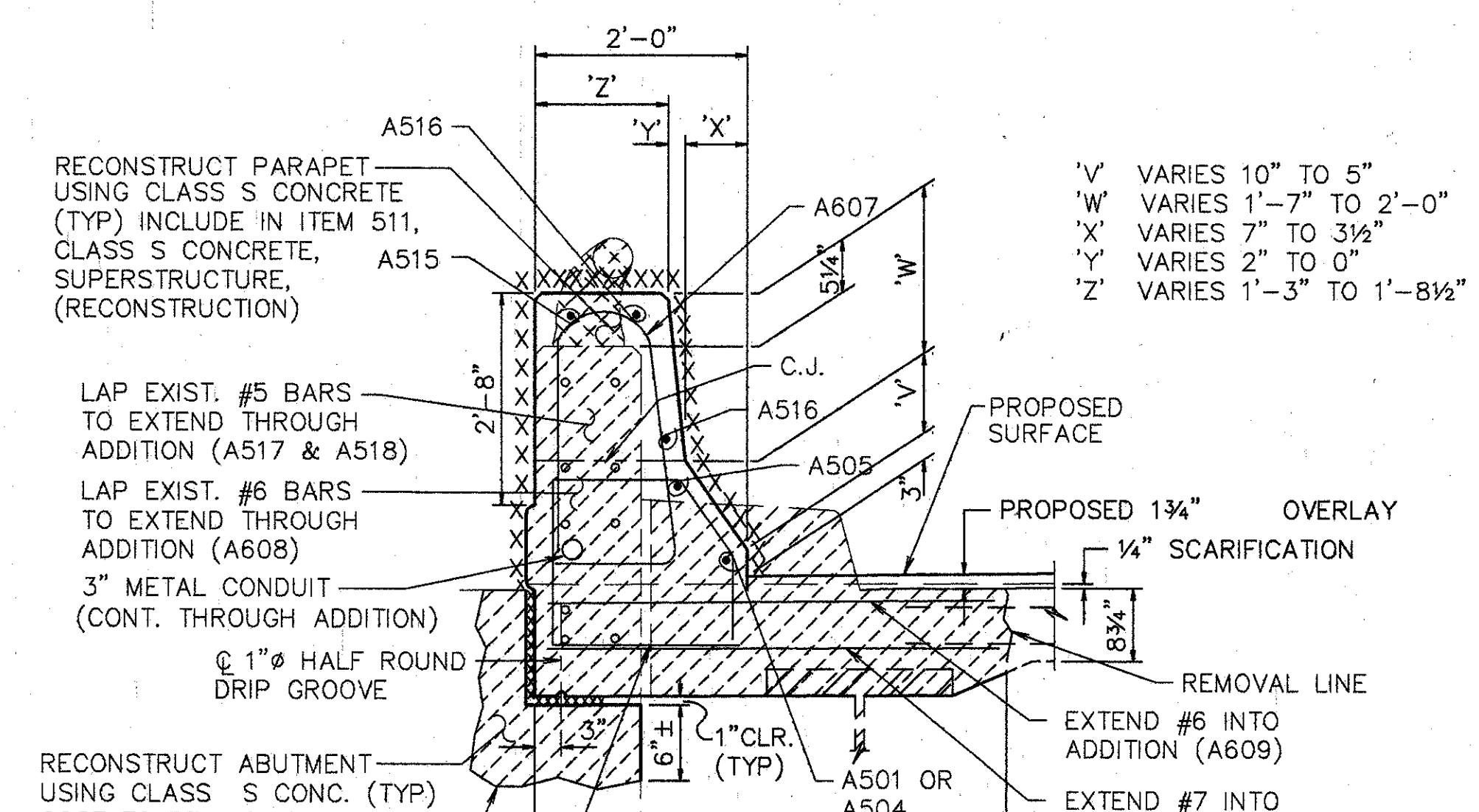
**SECTION G-G**



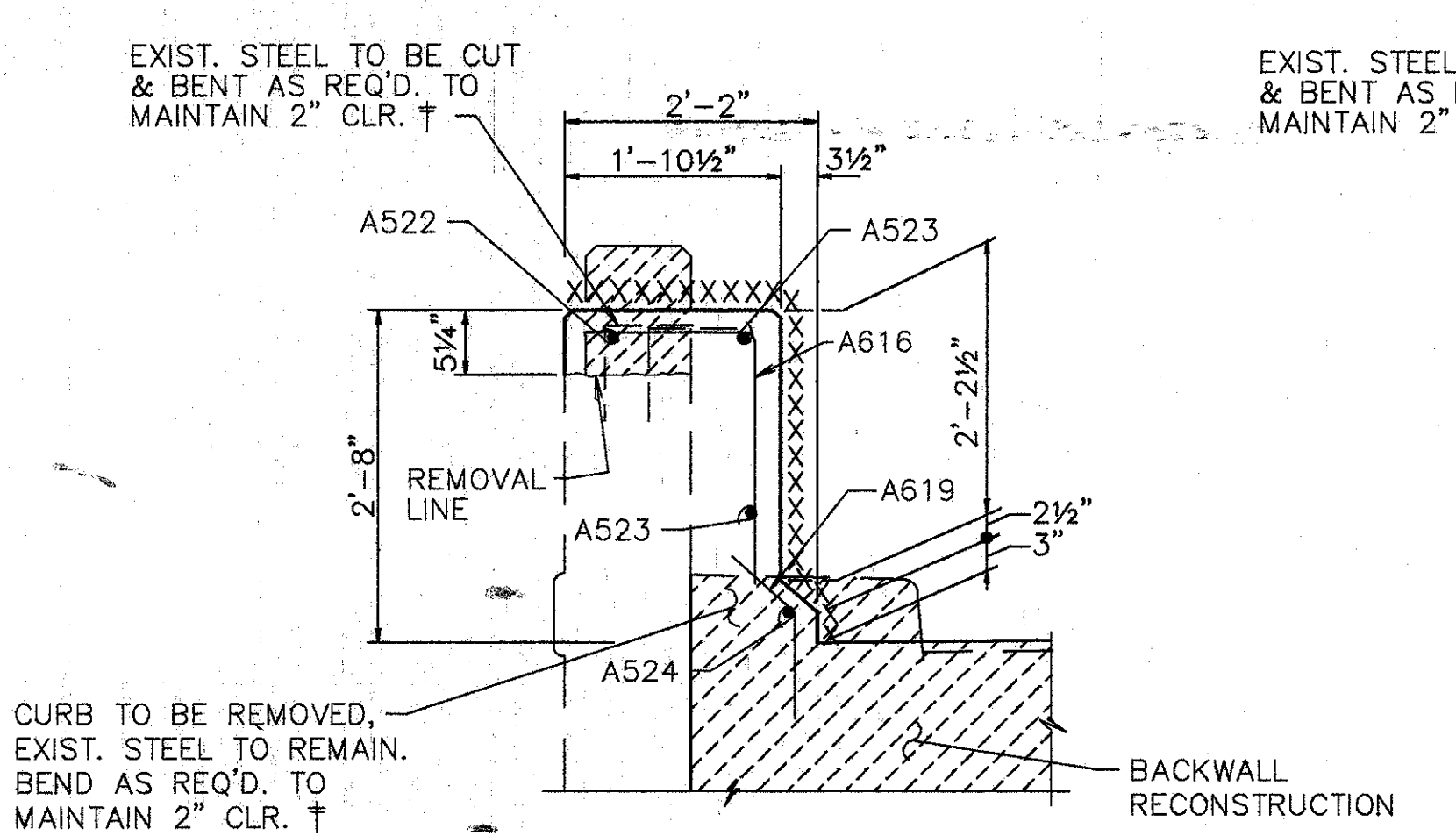
**SECTION H-H**



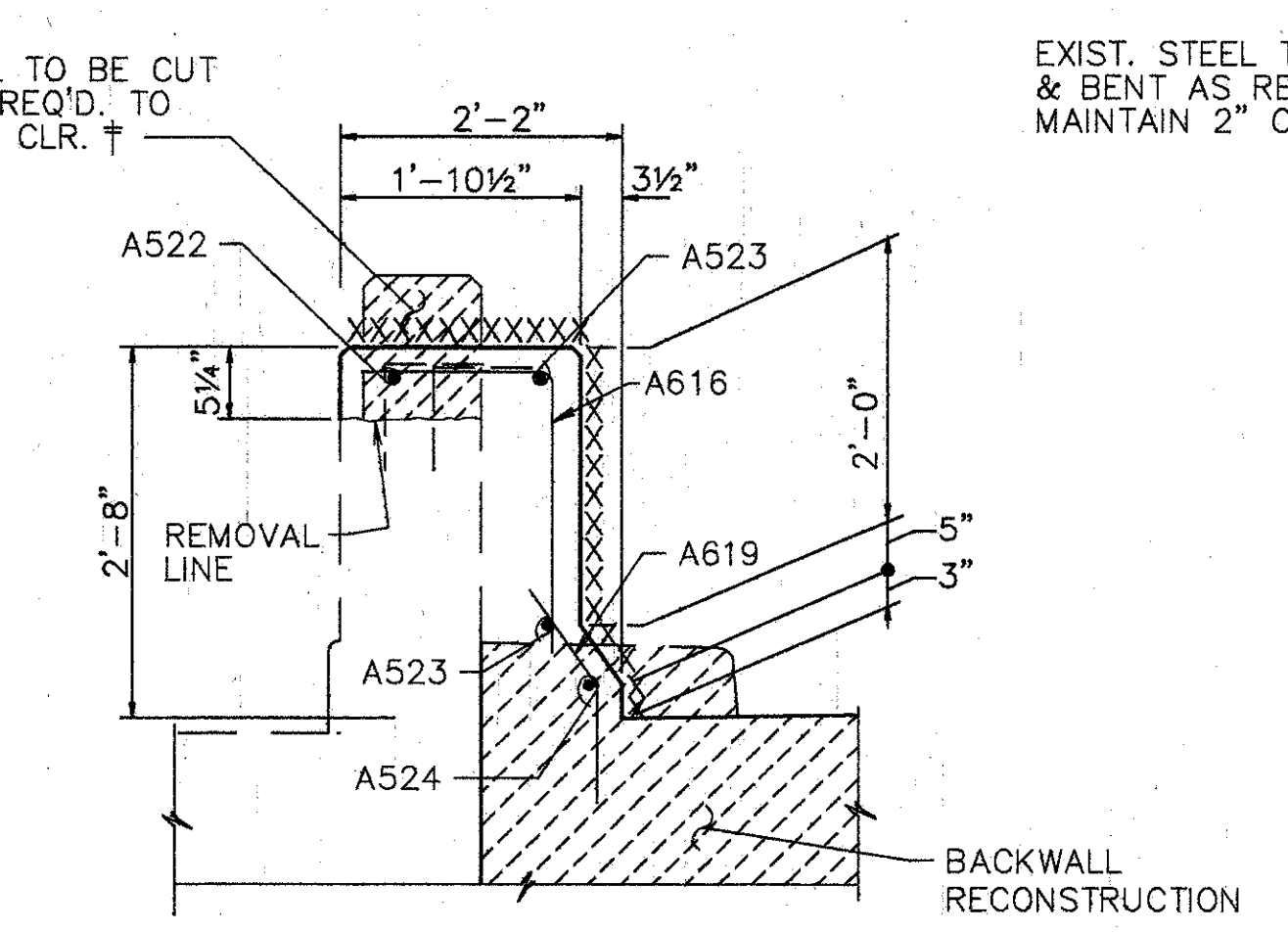
**SECTION J-J**



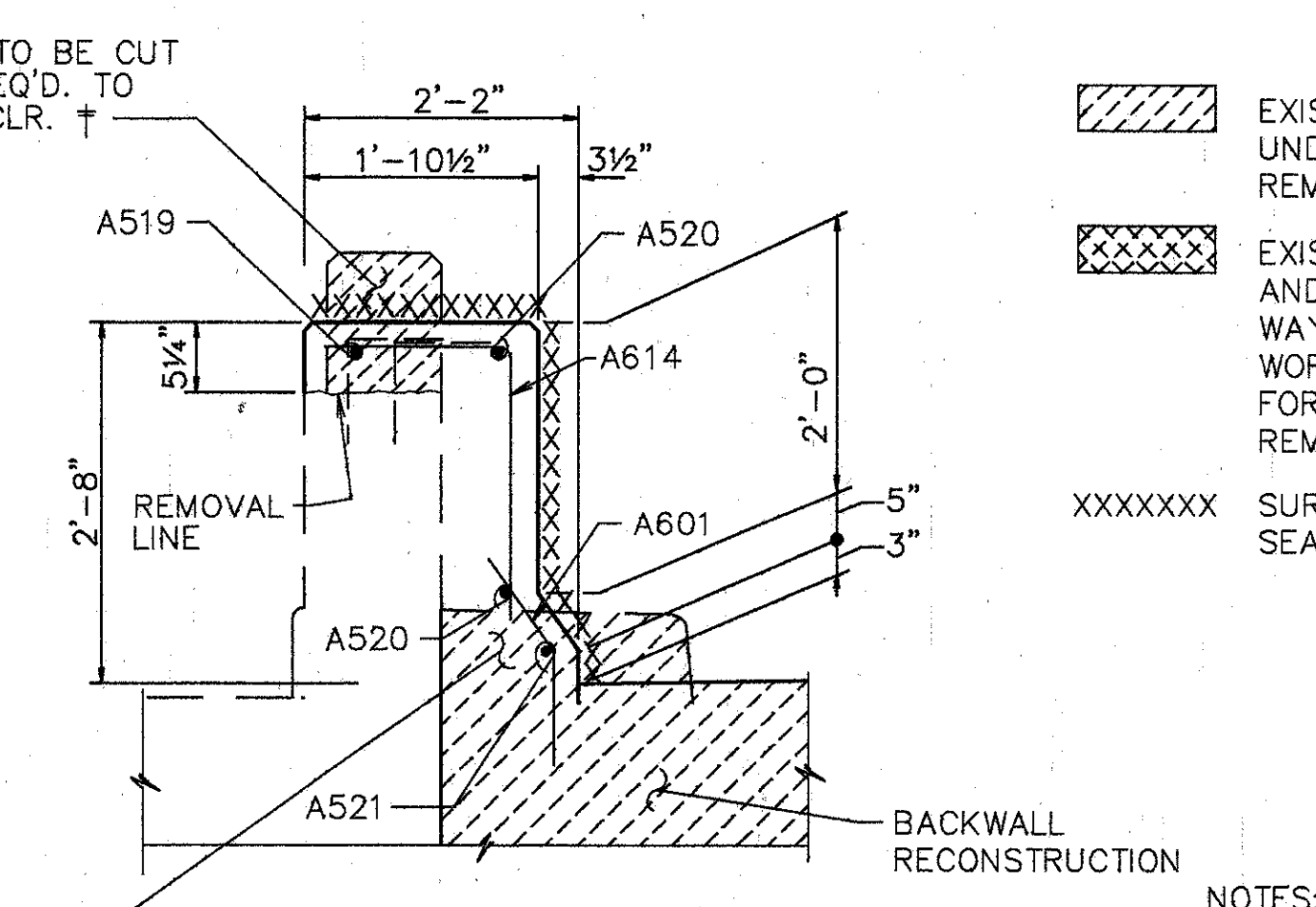
**SECTION K-K**



**SECTION L-L**



**SECTION T-T**



**SECTION U-U**

[Hatched Pattern] EXISTING CURB AND PARAPET TO BE REMOVED UNDER ITEM 202-PORIONS OF STRUCTURES REMOVED.  
 [Cross-hatched Pattern] EXISTING RAILING & POSTS TO BE REMOVED AND STACKED NEATLY ALONG THE RIGHT OF WAY FOR DISPOSAL BY THE CONTRACTOR. ALL WORK SHALL BE INCLUDED IN THE PRICE BID FOR ITEM 202-PORIONS OF STRUCTURE REMOVED.  
 [XXXXXX Pattern] SURFACES TO BE SEALED UNDER ITEM SPECIAL-SEALING OF CONCRETE SURFACES.

† BARS SHALL REMAIN. CONTRACTOR SHALL EXERCISE CAUTION TO ENSURE THAT THESE BARS ARE NOT DAMAGED DURING THE CONC. REMOVAL OPERATION. ANY BARS DAMAGED AS A RESULT OF THE CONTRACTOR'S OPERATION SHALL BE REPLACED OR REPAIRED BY THE CONTRACTOR AT HIS EXPENSE. METHOD OF REPAIR OR REPLACEMENT WILL BE AT THE DISCRETION OF THE DIRECTOR.

NOTES:  
 1. PREFORMED EXPANSION JOINT FILLER AND SEALER AT SIDES OF APPROACH SLAB SHALL BE INCLUDED IN THE PRICE BID FOR ITEM 611, APPROACH SLAB.

**WOOLPERT CONSULTANTS**  
 409 E. MONUMENT AVENUE  
 DAYTON, OHIO 45402-1226  
 (513) 461-5660

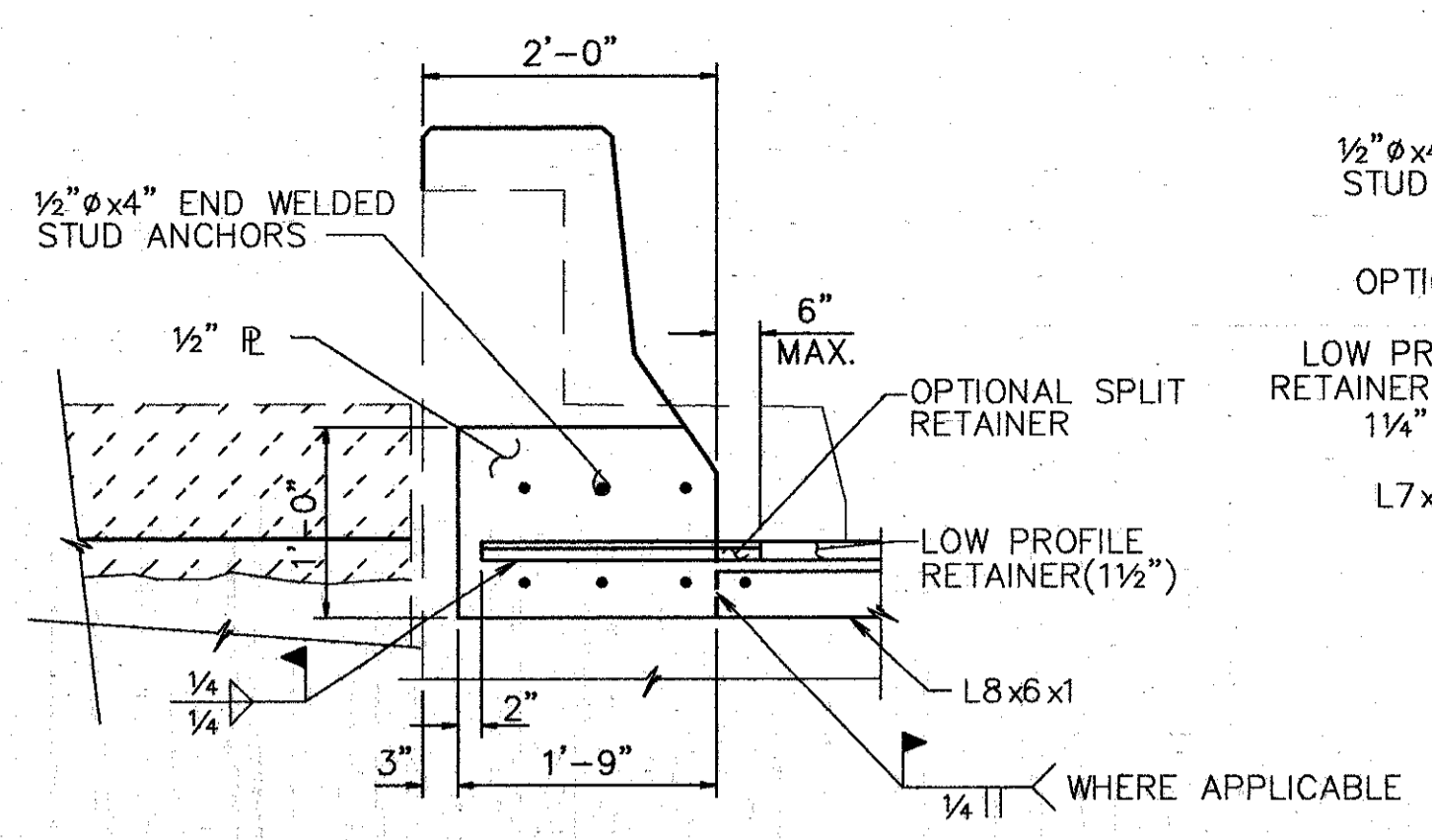
**PARAPET SECTIONS**

BRIDGE NO. HAM-71-0228 RAMP OVER I-71  
 HAMILTON COUNTY

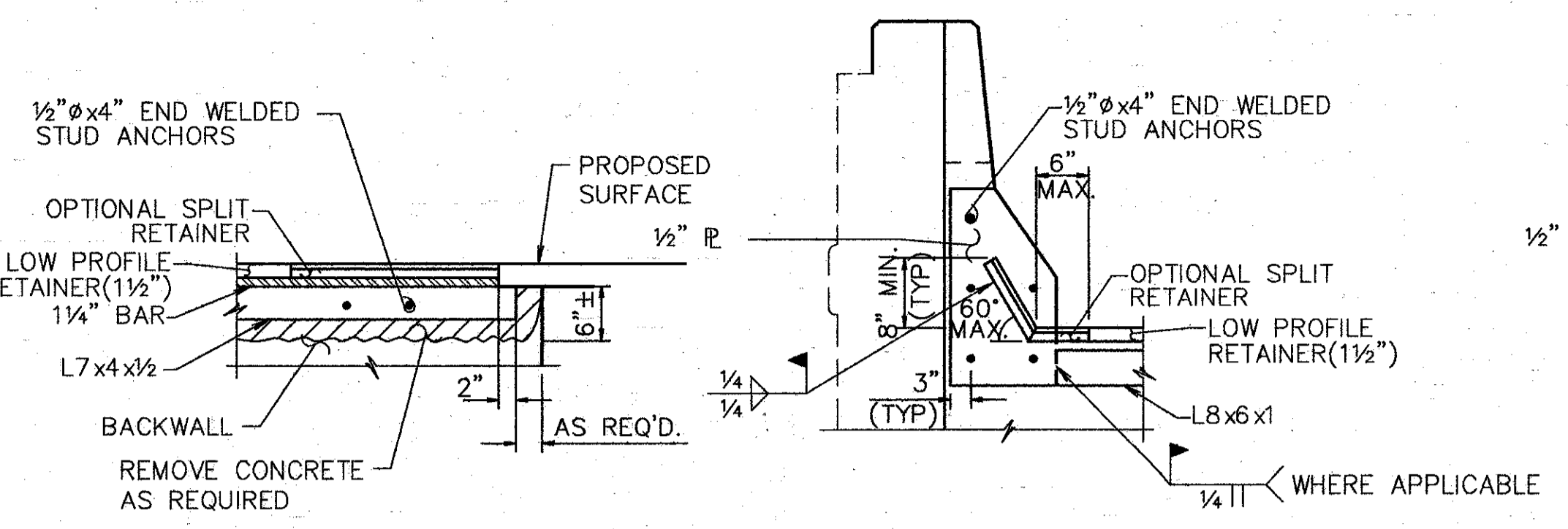
DESIGNED	DRAWN	TRACED	CHECKED	REVIEWED	DATE	REVISED
L.A.T.M.	D.E.E.		M.A.A.	DEM11/11/94		

Leaf Plot MAY 05, 1991 @ 7:30 PM  
 C:\VTP\1050-05\228RAMP.rvt, Last Revision By: RICH MAY, 10, 1994 @ 8:53 AM

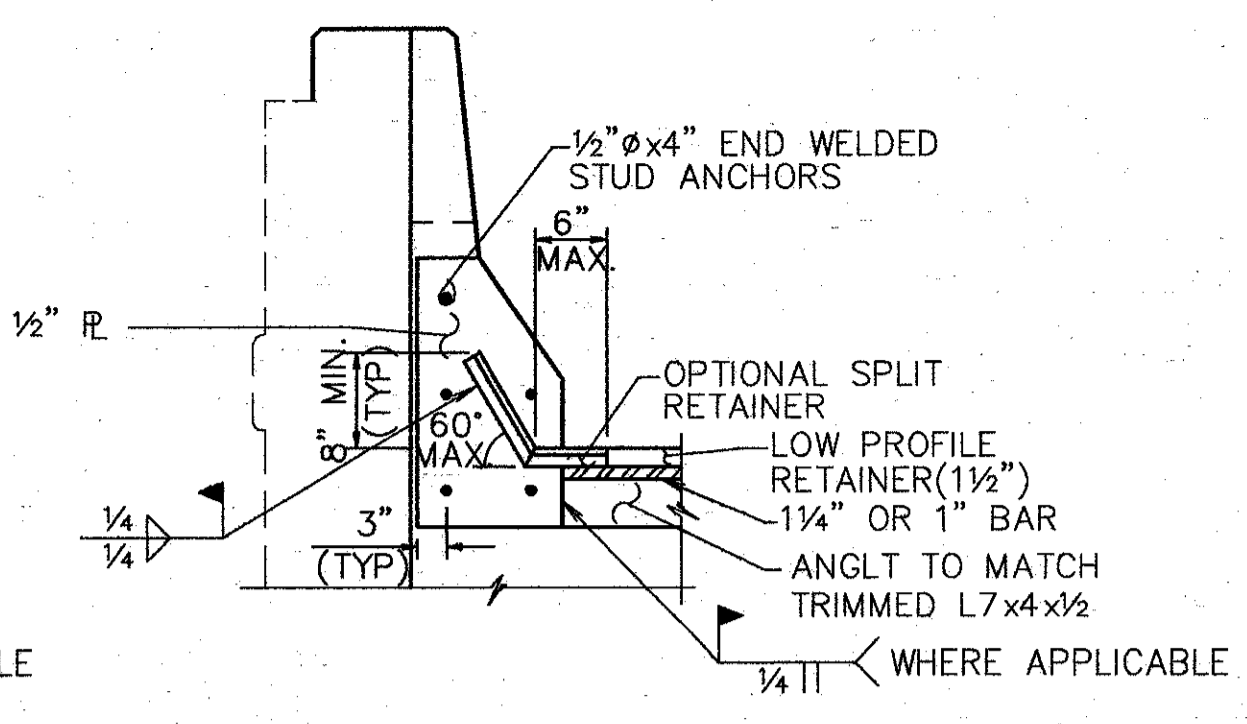




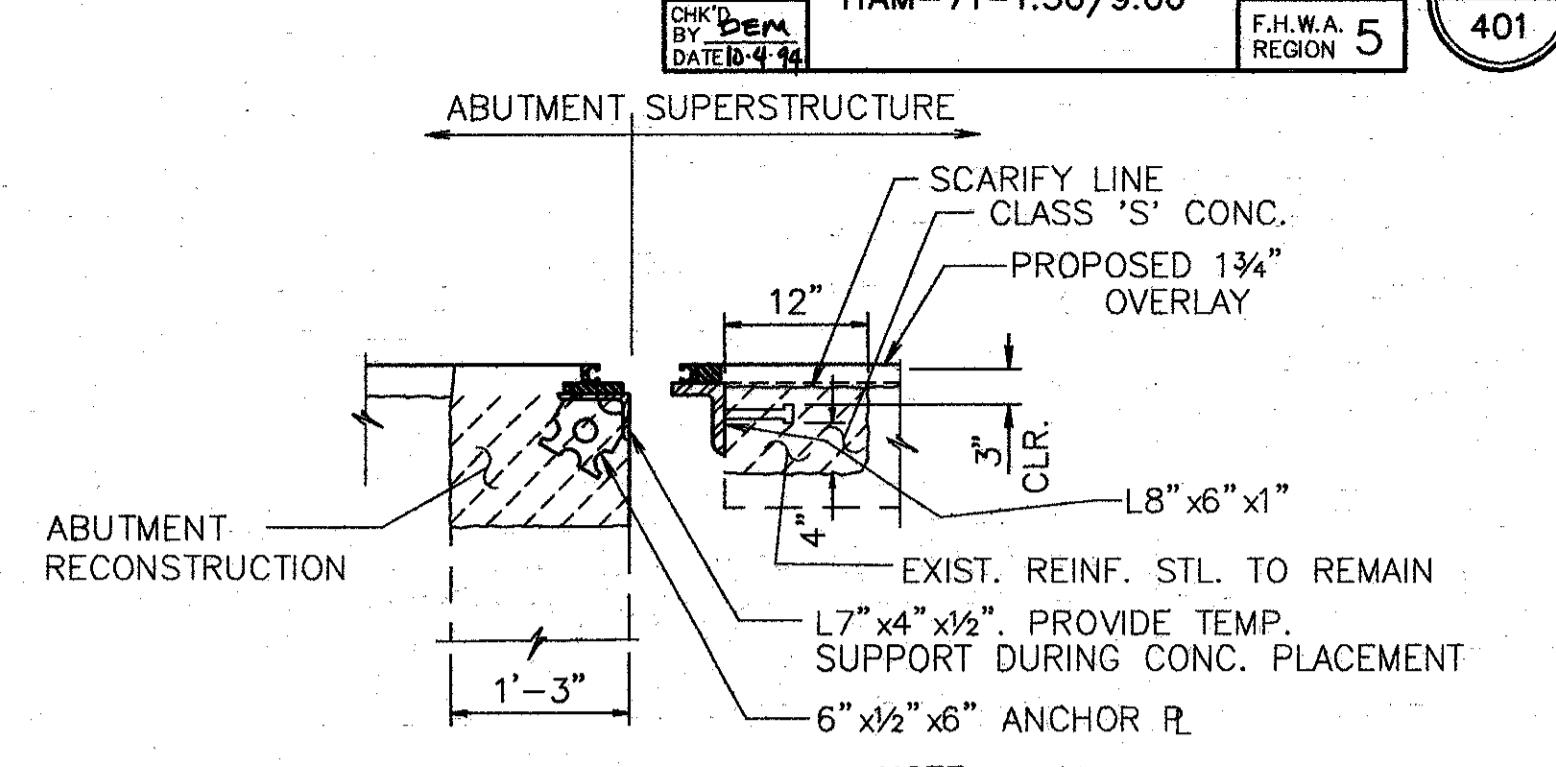
SECTION M-M



SECTION N-N SECTION P-P



SECTION Q-Q

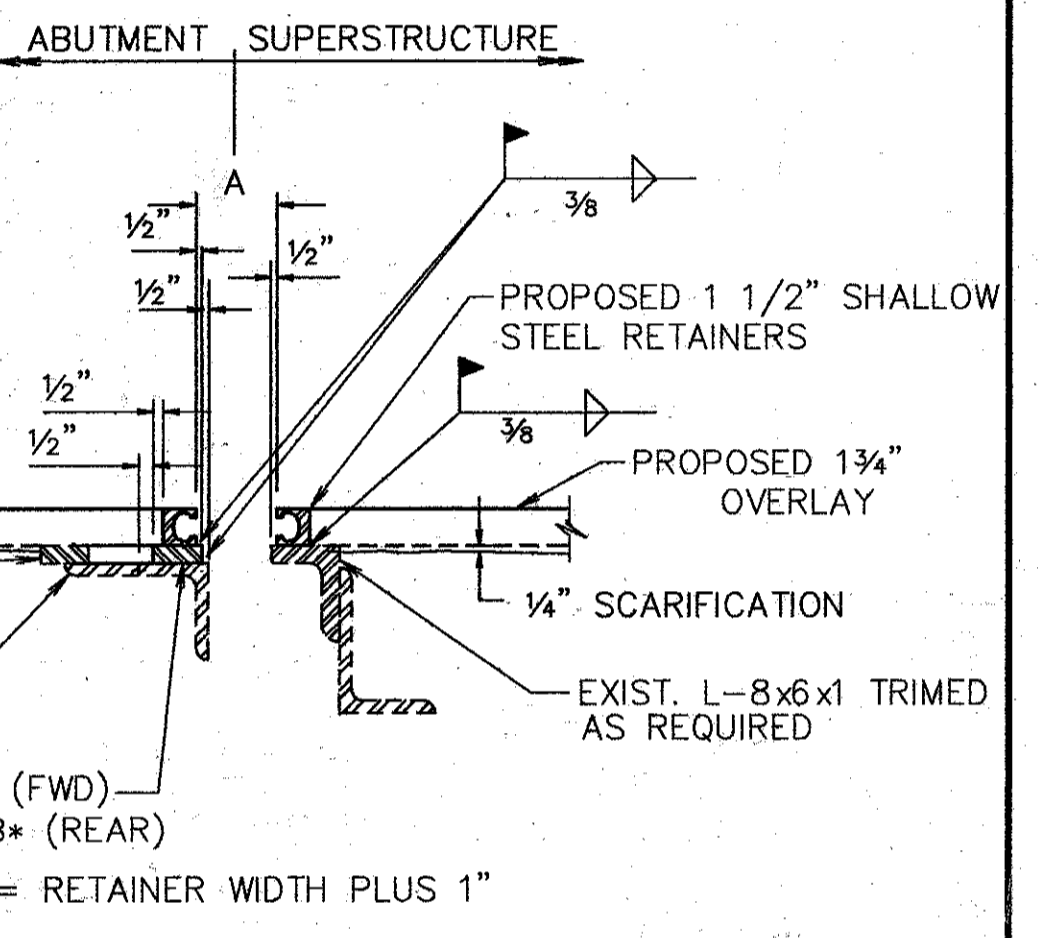


SECTION X-X

- NOTE:
- FOR DETAILS NOT SHOWN SEE STD. DWG. SD-1-69.
  - SEE SECTION R-R FOR RETAINER SPACING AND WELDING

- NOTE:
- EXPANSION JT. DETAILS TO BE WORKED WITH STD. DWG. EXJ-4-87 SHTS. 1 thru 5.
  - WHEN PLATE IS RECESSED INTO ABUTMENT, CONCRETE BELOW PLATE SHALL BE SLOPED FROM BOTTOM OF THE PLATE TO THE END OF THE ABUTMENT TO DETER ACCUMULATION OF DEBIS.
  - CROSS SECTIONS VARY.

TEMPERATURE	DIM. 'A'	
	FORWARD	REAR
40° F	3 3/8"	2 3/4"
50° F	3 5/8"	2 5/8"
60° F	3 1/2"	2 3/8"
70° F	3 1/2"	2 1/4"
80° F	3 3/8"	2 1/8"
90° F	3 3/8"	1 7/8"



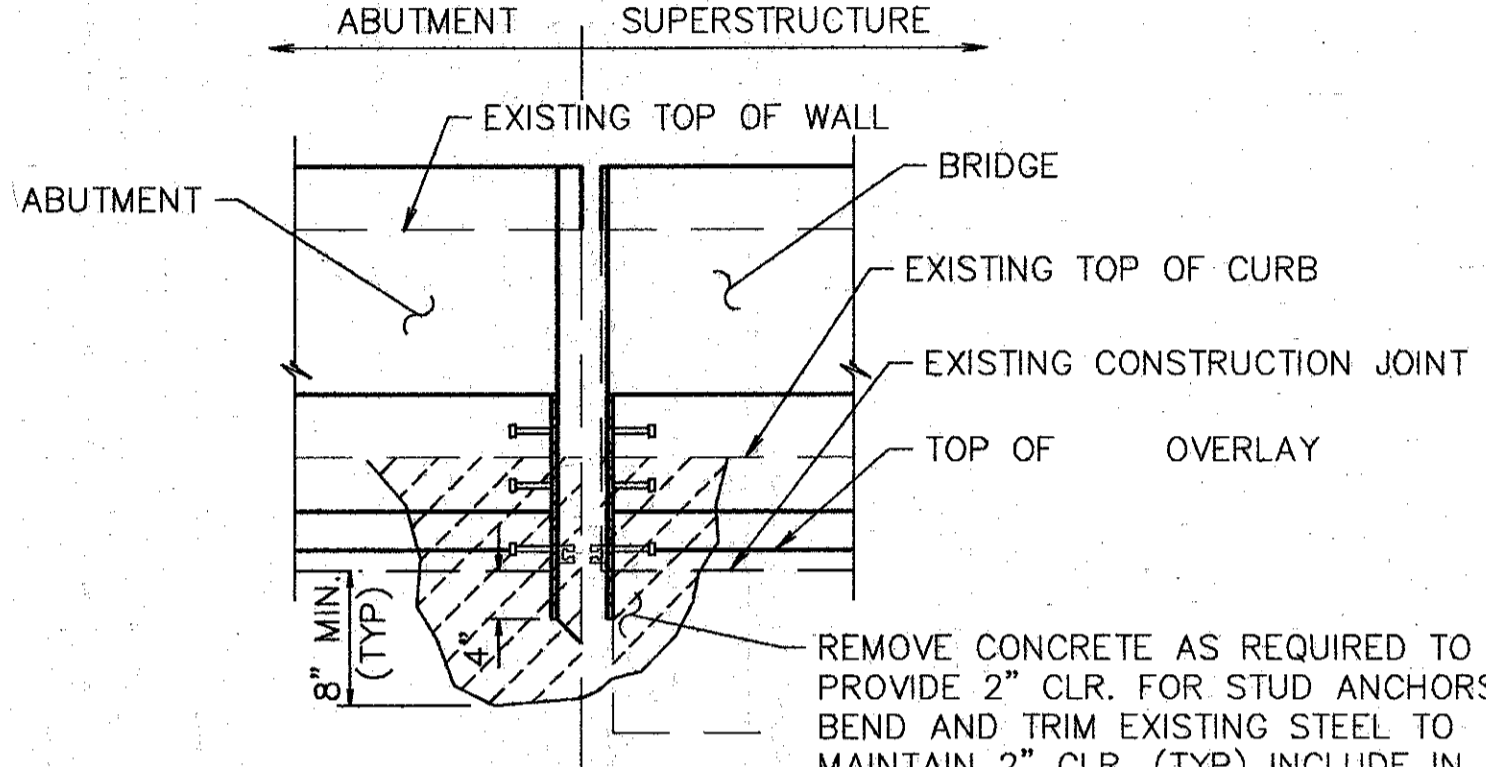
SECTION R-R

- NOTES:
- CONTRACTOR TO VERIFY ALL DIMENSIONS PRIOR TO MODIFYING THE EXPANSION JOINT.
  - THE PRICE BID FOR ITEM 516--'STRUCTURAL EXPANSION JOINTS, INCLUDING ELASTOMERIC STRIP SEALS', SHALL INCLUDE ALL LABOR, MATERIALS, EQUIPMENT, AND ANY OTHER INCIDENTAL ITEMS, AS DETAILED. REMOVAL OF CURB OR PARAPET AS SHOWN SHALL BE INCLUDED UNDER ITEM 202--'PORTIONS OF STRUCTURE REMOVED.
  - FOR DETAILS NOT SHOWN REFER TO DRAWING EXJ-4-87 SHEETS 3 AND 4.
  - STRIP SEALS TO BE INSTALLED IN ONE CONTINUOUS PIECE (NO OPEN JOINTS).
  - PROVIDE TEMPORARY SUPPORT FOR ABUTMENT END DAM DURING CONSTRUCTION. REMOVE TEMPORARY SUPPORT AS SOON AS CONCRETE HAS SET, PREFERABLY WITHIN TWO HOURS AFTER PLACING TO AVOID DAMAGE DUE TO EXPANSION AND CONTRACTION OF SUPERSTRUCTURE.

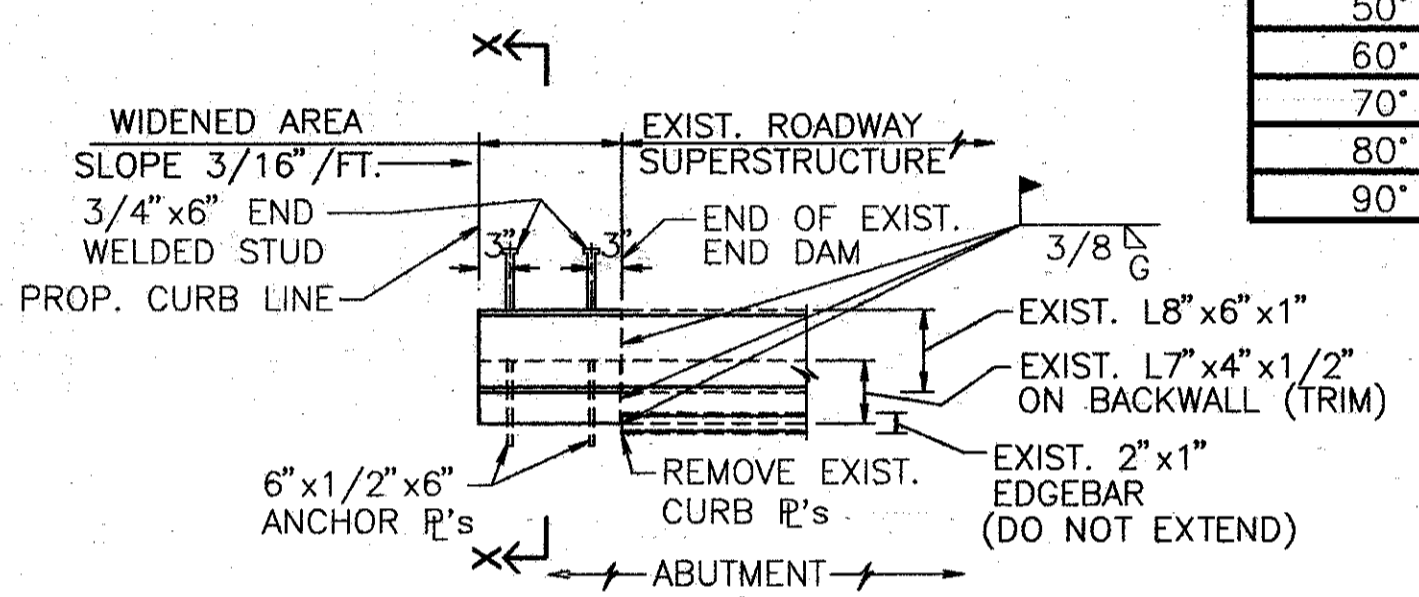
**WOOLPERT CONSULTANTS**  
 409 E. MONUMENT AVENUE  
 DAYTON, OHIO 45402-1226  
 (513) 461-5660

**STRIP SEAL EXPANSION JOINTS AT ABUTMENTS**  
 BRIDGE NO. HAM-71-0228 RAMP OVER I-71  
 HAMILTON COUNTY

DESIGNED	DRAWN	TRACED	CHECKED	REVIEWED	DATE	REVISED
L.A.T.M.	D.E.E.		M.A.A.	DEM11/11/94		

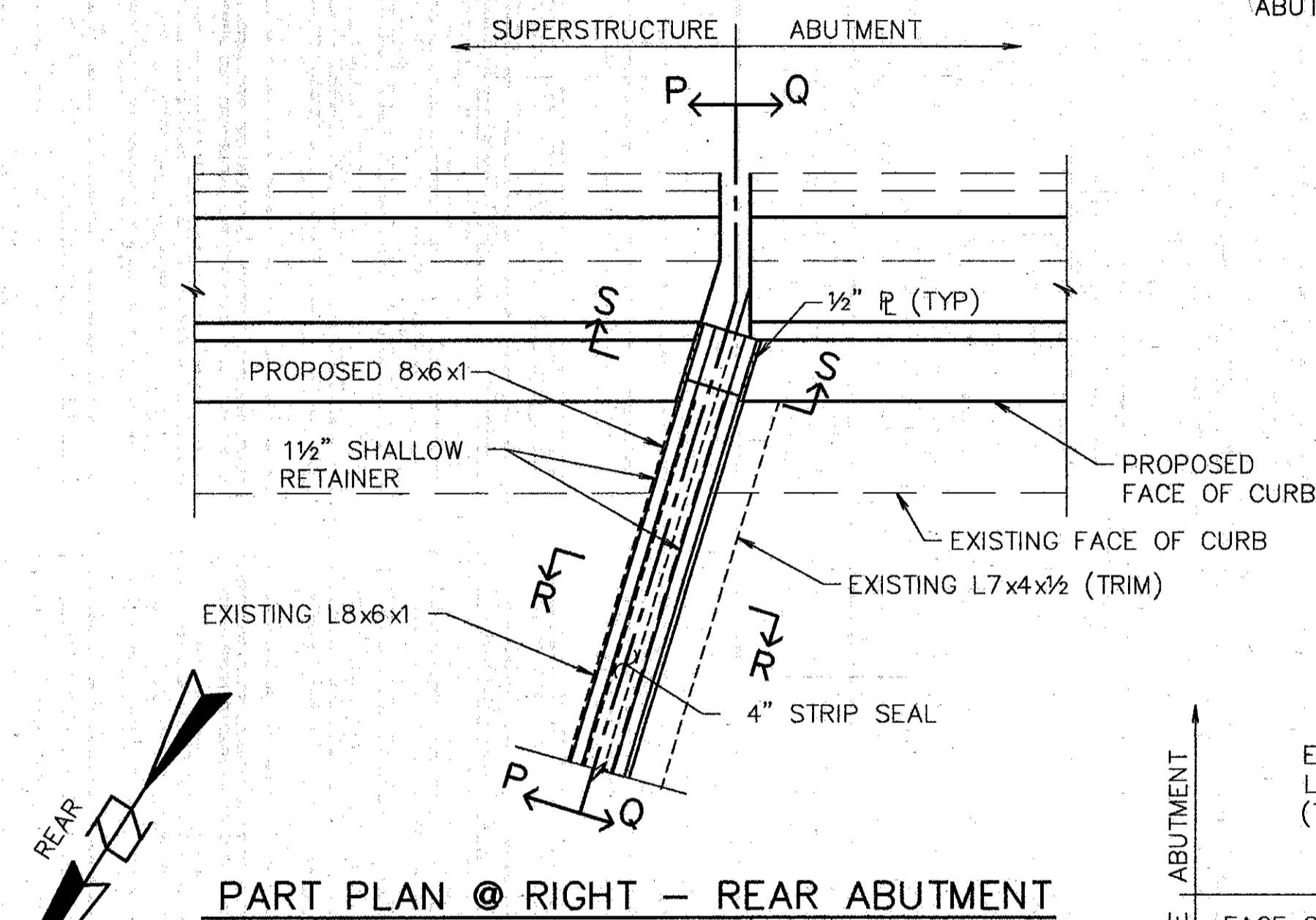


SECTION S-S

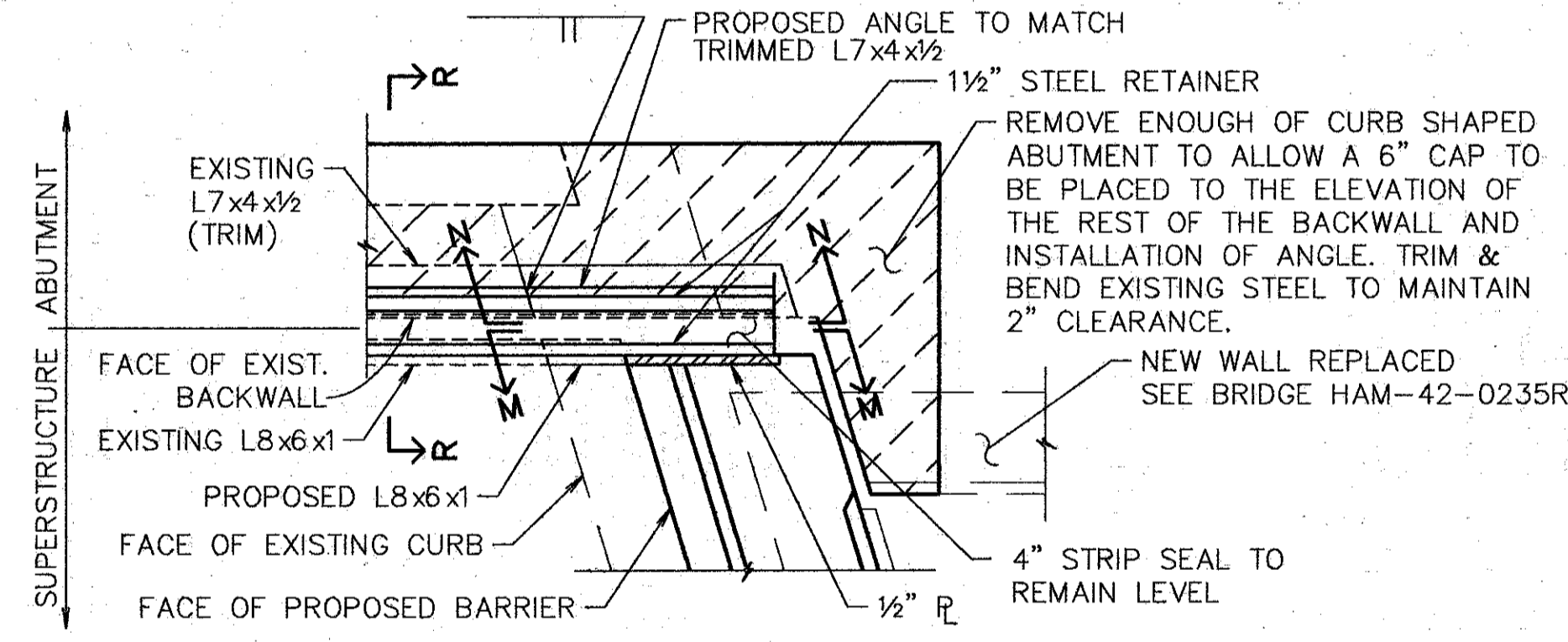


PLAN END DAM @ WIDENED AREAS (SKEW NOT SHOWN)

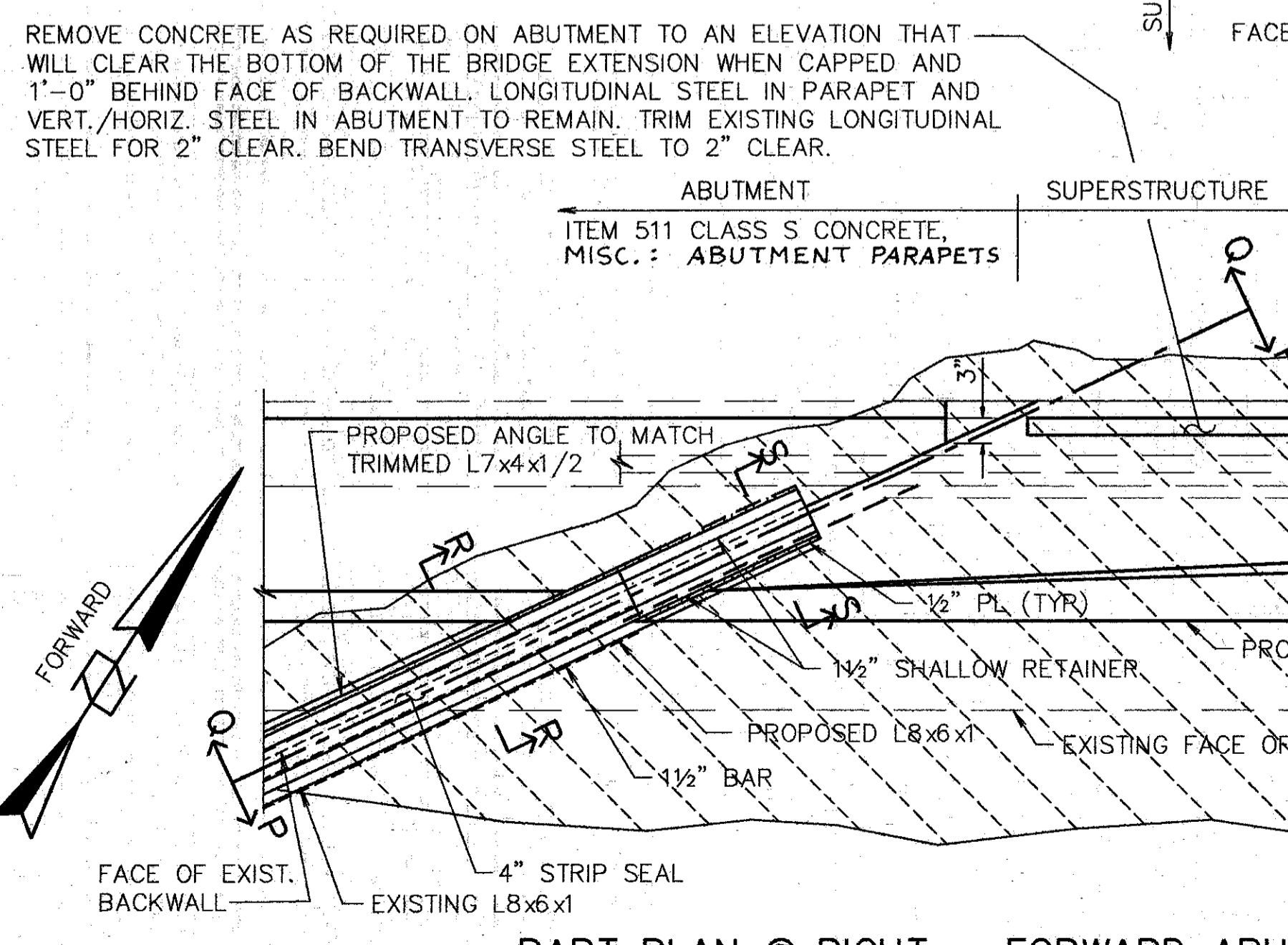
- NOTES:
- END DAM WIDENING SHOWN IS FOR THE R.F. & L.R. CORNERS OF THE BRIDGE. THE L.F. & R.R. CORNERS ARE SIMILAR, BUT OPPOSITE HAND. (SKEW NOT SHOWN)
  - FOR DETAILS & DIMS. NOT SHOWN SEE STD. DWG. SD-1-69.
  - PROPOSED STRIP SEAL OMITTED FOR CLARITY



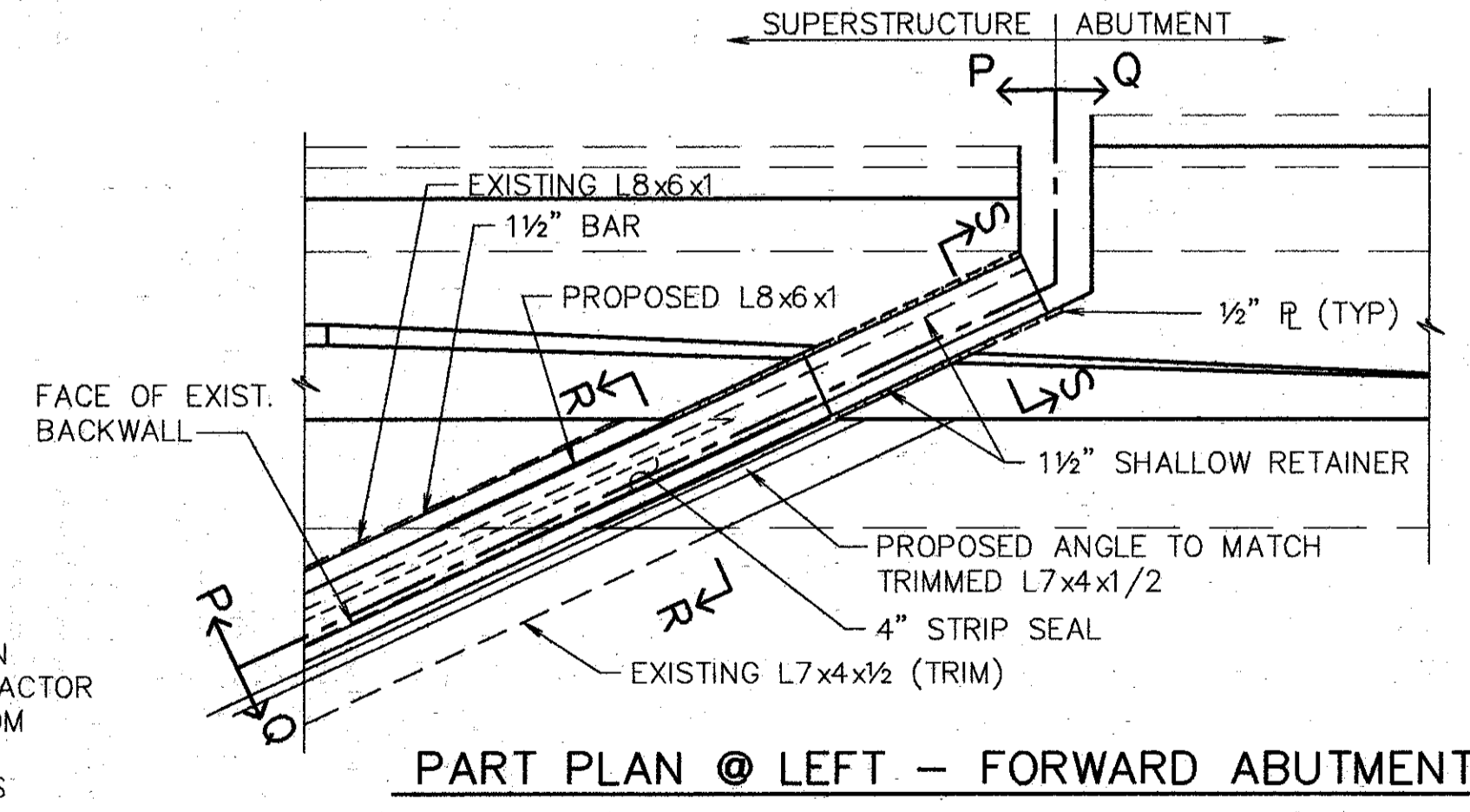
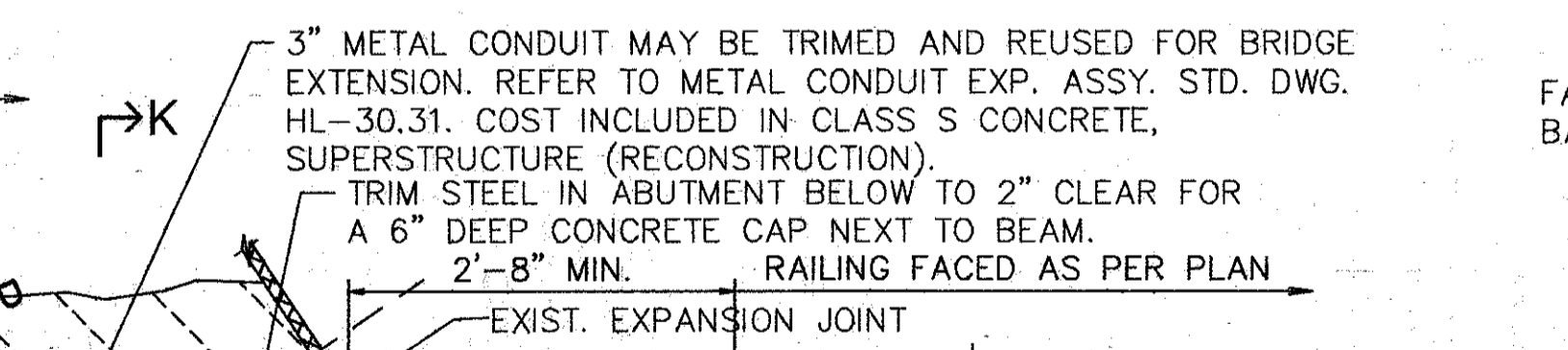
PART PLAN @ RIGHT - REAR ABUTMENT



PART PLAN @ LEFT - REAR ABUTMENT



PART PLAN @ RIGHT - FORWARD ABUTMENT



PART PLAN @ LEFT - FORWARD ABUTMENT

REMOVE CONCRETE AS REQUIRED ON ABUTMENT TO AN ELEVATION THAT WILL CLEAR THE BOTTOM OF THE BRIDGE EXTENSION WHEN CAPPED AND 1'-0" BEHIND FACE OF BACKWALL. LONGITUDINAL STEEL IN PARAPET AND VERT./HORIZ. STEEL IN ABUTMENT TO REMAIN. TRIM EXISTING LONGITUDINAL STEEL FOR 2" CLEAR. BEND TRANSVERSE STEEL TO 2" CLEAR.

3" METAL CONDUIT MAY BE TRIMMED AND REUSED FOR BRIDGE EXTENSION. REFER TO METAL CONDUIT EXP. ASSY. STD. DWG. HL-30.31. COST INCLUDED IN CLASS S CONCRETE, SUPERSTRUCTURE (RECONSTRUCTION). TRIM STEEL IN ABUTMENT BELOW TO 2" CLEAR FOR A 6" DEEP CONCRETE CAP NEXT TO BEAM. 2'-8" MIN. RAILING FACED AS PER PLAN

NOTE: EXISTING CONDUIT IN BRIDGE TO REMAIN. CONTRACTOR TO REMOVE CONCRETE FROM AROUND CONDUIT WITHOUT DAMAGING CONDUIT OR IT'S CONTENTS

COSTS TO REMOVE PORTIONS OF ABUTMENT AND SUPERSTRUCTURE TO BE INCLUDED IN PRICE BID FOR ITEM 202 - PORTION OF STRUCTURE TO BE REMOVED.

REMOVE BRIDGE PARAPET AND DECK TO EXPOSE EXISTING STEEL. MATCH EXISTING #5 (WITH A517 & A518), #6 (WITH A608 & A609), AND #7 (WITH A701 & A702) BARS FOR REINFORCEMENT OF NEW SLAB. PLACE TO SCARIFIED LEVEL. LEAVE SURFACE ROUGH. CONCRETE AND REPLACEMENT WORK TO BE INCLUDED UNDER ITEM 511 CLASS S CONCRETE, SUPERSTRUCTURE (RECONSTRUCTION) FOR PAYMENT.

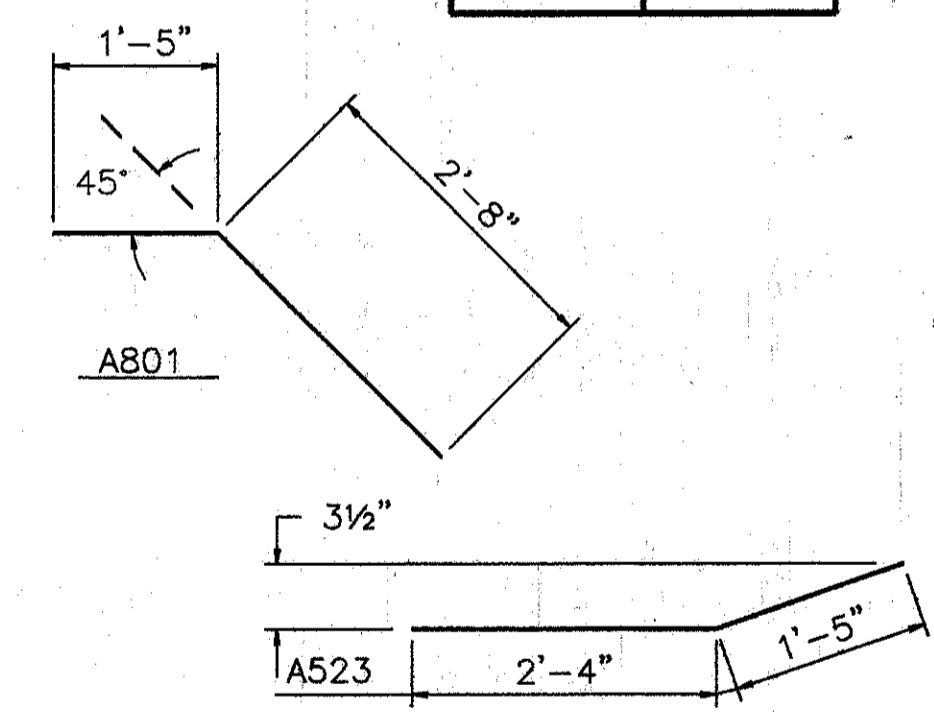
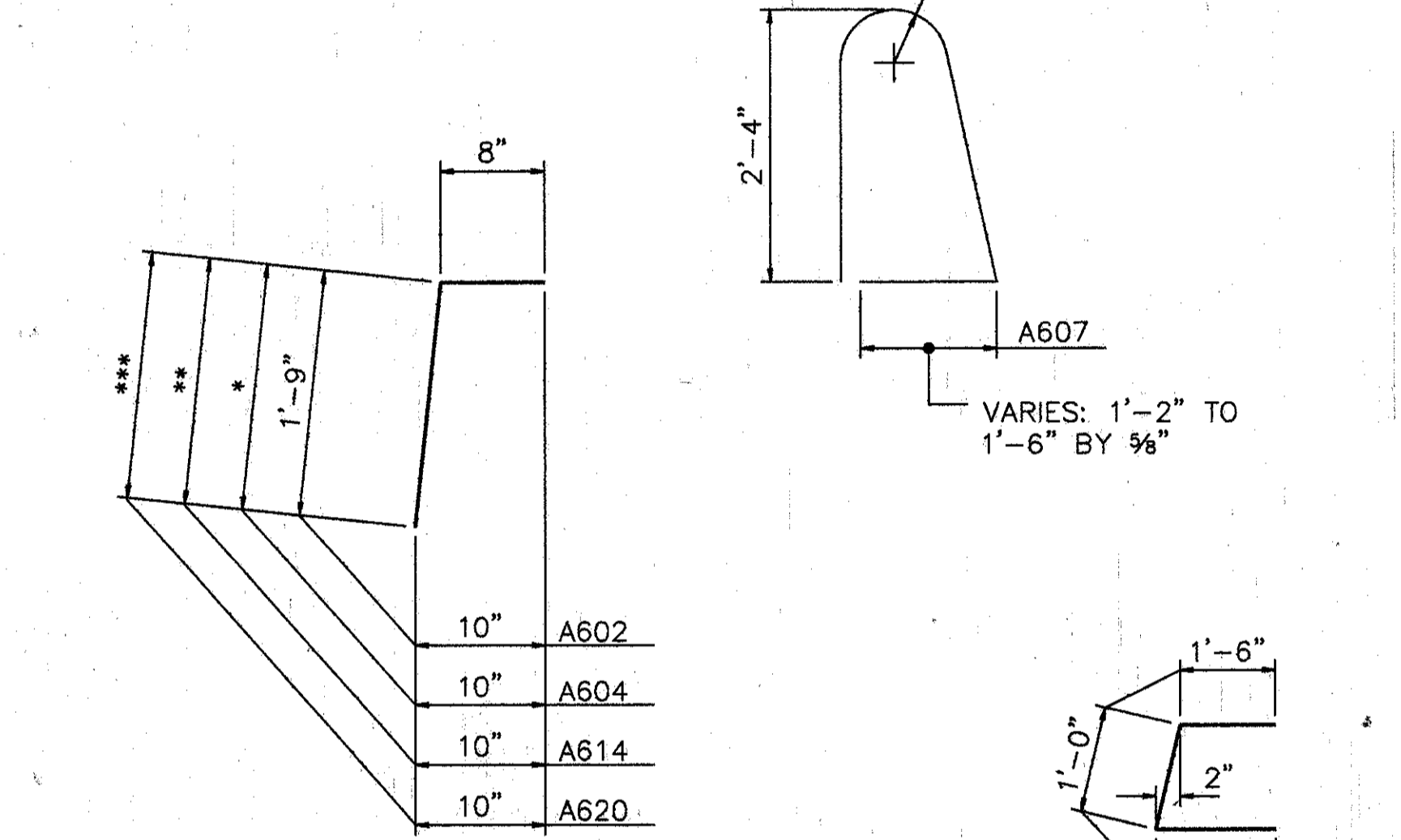
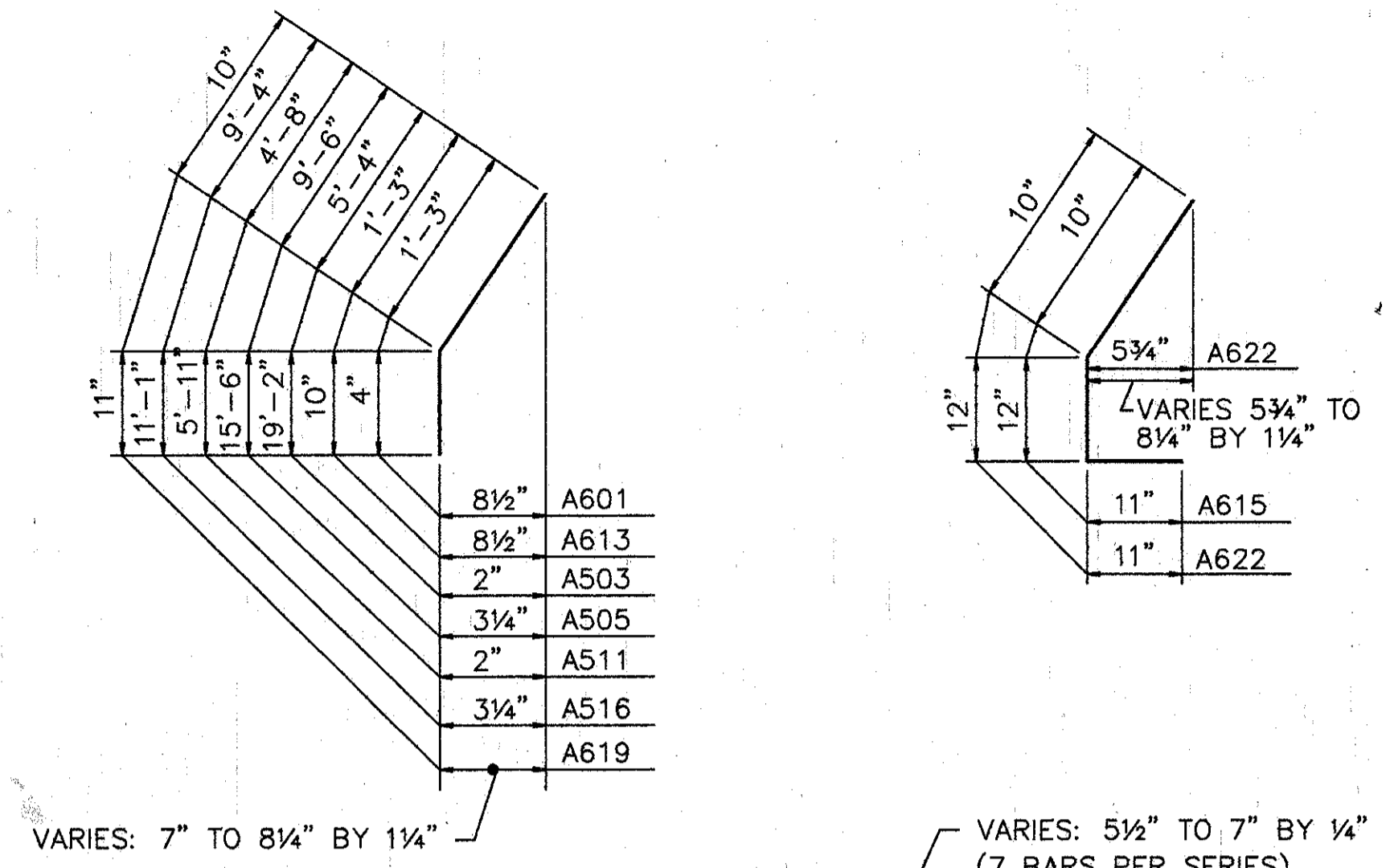
Plot Date: MAY 15, 1991 7:32 PM  
 G:\VTP\6096-03\2228R15.Lot Revision By: RACH MAY 15, 1991 6:47



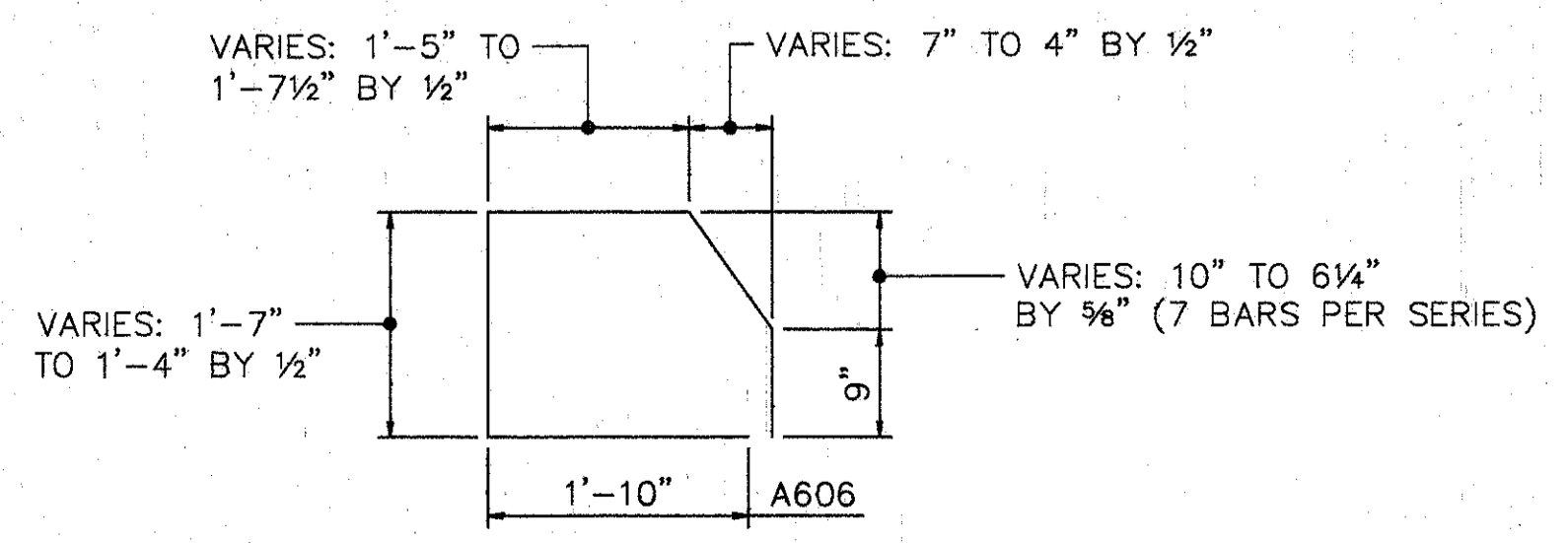
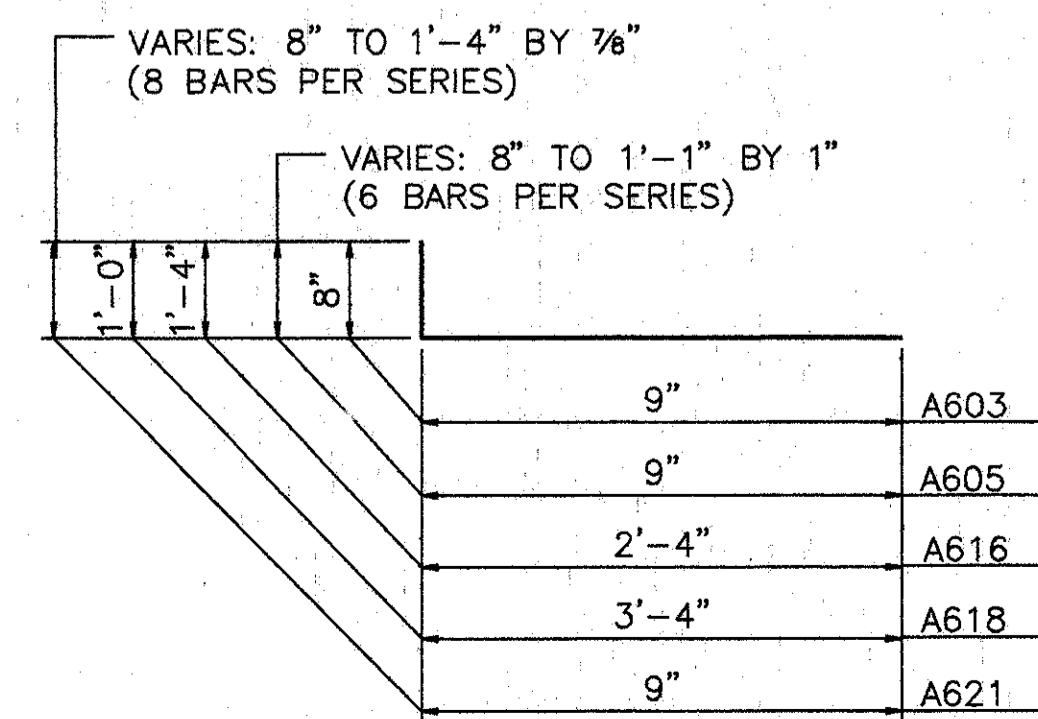
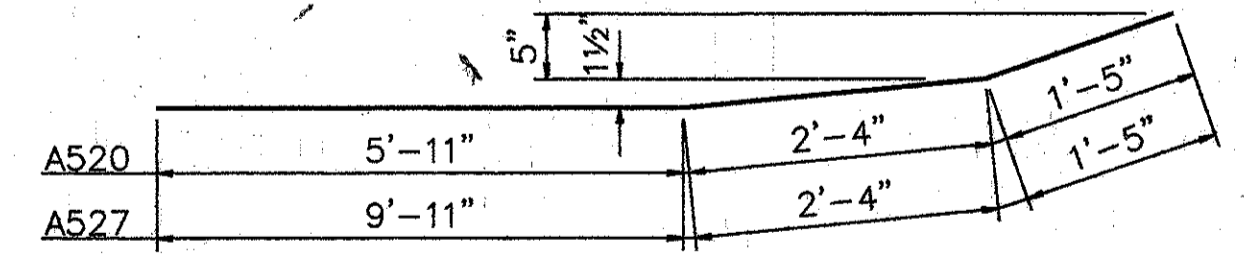
REINFORCING STEEL LIST

BENT BAR DETAILS

MARK	SHAPE	NUMBER	LENGTH	WEIGHT	MARK	SHAPE	NUMBER	LENGTH	WEIGHT
PARAPETS					PARAPETS				
A501	STR.	50	30'-0"	1565	A609	STR.	10	3'-11"	59
A502	STR.	1	24'-6"	26	A610	STR.	3	1'-10"	8
A503	BNT.	1	24'-6"	26	A611	STR.	1	6'-3"	9
A504	STR.	1	25'-0"	26	A612	STR.	5	10"	6
A505	BNT.	1	25'-0"	26	A613	BNT.	15	2'-0"	45
A506	STR.	30	15'-8"	490	A614	BNT.	3	3'-4" TO 3'-6"	14
A507	STR.	27	15'-6"	437	A615	BNT.	6	2'-6"	23
A508	STR.	27	15'-0"	422	A616	BNT.	6	3'-6"	32
A509	STR.	3	13'-5"	42	A617	BNT.	3	3'-10"	17
A510	STR.	1	11'-5"	12	A618	BNT.	6	4'-2"	38
A511	BNT.	2	10'-7"	22	A619	BNT.	2	2'-6"	8
A512	STR.	27	15'-4"	432	A620	STR.	8	2'-6" TO 3'-6"	36
A513	STR.	21	14'-10"	325	A621	BNT.	8	1'-3" TO 1'-11"	19
A514	STR.	3	12'-7"	39	A622	BNT.	1	2'-6"	4
A515	STR.	1	19'-7"	20	A701	STR.	8	3'-11"	47
A516	BNT.	2	20'-5"	43	A702	STR.	2	4'-9"	14
A517	STR.	2	6'-10"	14					
A518	STR.	2	7'-9"	16	A801	BNT.	42	4'-0"	449
A519	STR.	1	8'-2"	9	REPLACEMENT STEEL				300
A520	BNT.	2	9'-7"	20	TOTAL			10509	
A521	BNT. †	1	10'-1"	11					
A522	STR.	1	4'-8"	5					
A523	BNT.	2	3'-9"	8					
A524	BNT. †	1	3'-8"	4					
A525	STR.	1	5'-0"	5					
A526	STR.	1	11'-0"	11					
A527	BNT.	2	13'-8"	29					
A528	BNT. †	1	13'-8"	14					
A529	STR.	4	11'-6"	48					
A601	BNT.	648	1'-6"	1460					
A602	BNT.	647	2'-5"	2349					
A603	BNT.	647	1'-3"	1215					
A604	BNT.	5	2'-6" TO 3'-1"	21					
A605	BNT.	6	1'-3" TO 1'-7"	26					
A606	BNT.	7	5'-11" TO 6'-6"	65					
A607	BNT.	7	6'-2" TO 6'-5"	66					
A608	STR.	3	7'-1"	32					



\* VARIES 1'-10" TO 2'-5" BY 1 3/4" (5 BARS PER SERIES)  
 \*\* VARIES 2'-8" TO 2'-10" BY 1" (3 BARS PER SERIES)  
 \*\*\* VARIES 1'-10" TO 2'-10" BY 1 3/4" (8 BARS PER SERIES)



† BEND IN FIELD AS REQUIRED.

ITEM	ITEM EXT.	TOTAL	UNITS	DESCRIPTION
202	11200	LUMP SUM	L.S.	PORTIONS OF STRUCTURE REMOVED
509	15820	10509	LBS.	EPOXY COATED REINFORCING STEEL, GRADE 60
510	12201	42	L.F.	DOWEL HOLES, AS PER PLAN.
511	34400	5	C.Y.	CLASS S CONCRETE, SUPERSTRUCTURE (RECONSTRUCTION)
511	34450	7	C.Y.	CLASS S CONCRETE, MISC.: ABUTMENT PARAPETS
511	45700	7	C.Y.	CLASS C CONCRETE, ABUTMENT RECONSTRUCTION
SPECIAL	51267500	850	S.Y.	SEALING OF CONCRETE SURFACE *
SPECIAL	51267502	271	S.Y.	SEALING OF CONCRETE SURFACE (EPOXY) *
513	21000	1	EACH	TRIMMING OF BEAM END
514	27704	LUMP	L.S.	FIELD PAINTING, MISC: EXISTING STEEL, EEU *
516	14600	10	L.F.	STRUCTURAL JOINT OR JOINT SEALER, MISC.: 2"x4" SEALER, AS PER PLAN
516	11210	107	L.F.	STRUCTURAL EXP. JT., INCLUDING ELASTOMERIC STRIP SEAL
517	76201	745	L.F.	RAILING FACED, AS PER PLAN
516	45304	8	EACH	REFURBISH BEARING DEVICE
518	12700	1	EACH	SCUPPER, VERTICAL EXTENSION
518	12800	4	EACH	SCUPPER MODIFICATION
518	63300	LUMP SUM	L.S.	STRUCTURE DRAINAGE, MISC: MODIFY DRAINAGE PIPING
519	11100	2	S.F.	PATCHING CONCRETE STRUCTURE
845	40210	1275	S.Y.	LATEX MODIFIED CONCRETE OVERLAY (1 1/4" THICK) ON EXISTING DECK
845	11000	46	C.Y.	LATEX MODIFIED CONCRETE OVERLAY (VARIABLE THICKNESS)
845	30000	1	C.Y.	FULL DEPTH REPAIR
516	14600	50	L.F.	SEAL JOINT BETWEEN ABUTMENT AND CONCRETE SLOPE PROTECTION
518	63300	LUMP	L.S.	SCUPPER AND DRAINAGE PIPE CLEANOUT
601	21100	2	S.Y.	REPAIR CONCRETE SLOPE PROTECTION

- \* SEE PROPOSAL NOTE
- MODIFY PARAPETS ON THE SUPERSTRUCTURE & ABUTMENTS. SEAL PARAPETS AS SHOWN ON PLANS. (INSTALL PLATES FOR STRIP SEAL EXP. JT.).
  - SCARIFY EXISTING DECK 1/4", AND REMOVE DETERIORATED CONCRETE AS DIRECTED BY THE ENGINEER.
  - REFURBISH ALL ABUTMENT BEARINGS.
  - PLACE 1 3/4" THICK LATEX MODIFIED CONCRETE ON DECK.
  - RECONSTRUCT BACKWALLS ABOVE APPROACH SLAB SEAT.
  - SEAL EXPANSION JOINT WITH STRIP SEAL.
  - SEAL PARAPETS, BACKWALLS, AND PIERS.
  - REFURBISH DRAINAGE PIPING AND EXTEND SCUPPER.
  - TRIM BEAM ENDS.
  - REPLACE GUARDRAIL AND INSTALL HYDRO-CELL IMPACT BARRIER AS SHOWN ON ROADWAY PLANS.
  - AT LEAST ONE LANE OF TRAFFIC SHALL BE MAINTAINED IN EACH DIRECTION AND ON THE BRIDGE AT ALL TIMES. FOR NOTES SEE MAINTENANCE OF TRAFFIC PLANS. AT ALL TIMES. MAINTENANCE OF TRAFFIC PLAN REQUIRES CONSTRUCTION PHASING LIMITS AT LANE CENTERLINES. DUE TO THESE LIMITS, OVERLAY MAY REQUIRE SPECIAL ATTENTION.
  - OTHER WORK AS DESCRIBED IN THESE PLANS.

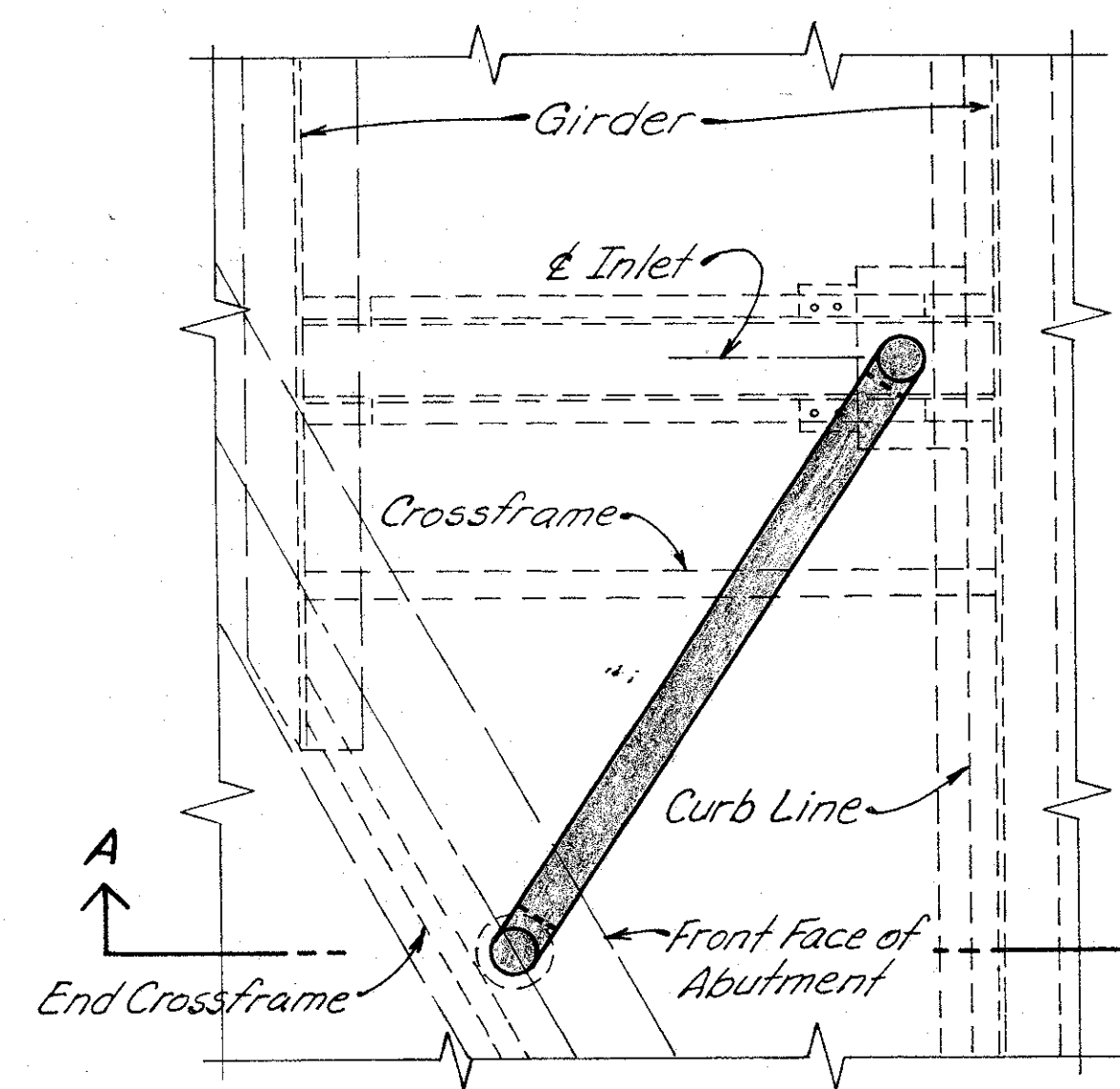
PROPOSED WORK

**WOOLPERT CONSULTANTS**  
 409 E. MONUMENT AVENUE  
 DAYTON, OHIO 45402-1226  
 (513) 461-5660

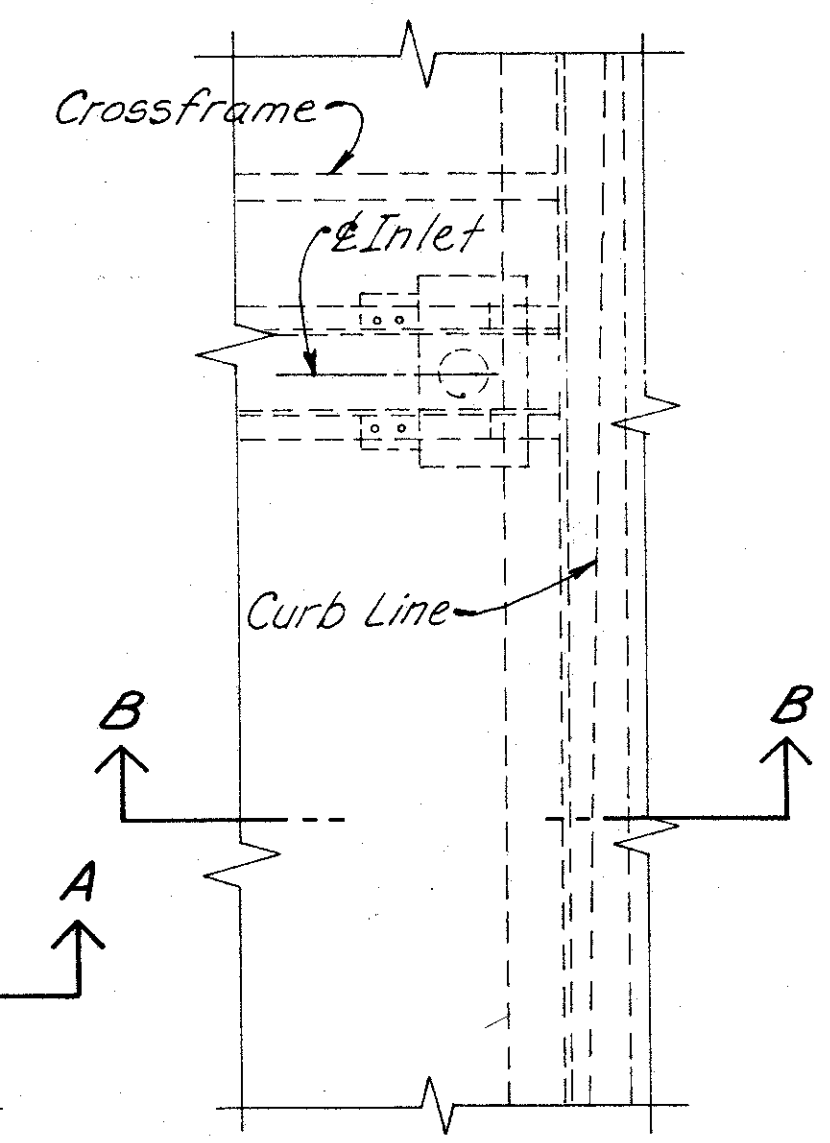
6/7

**QUANTITIES AND GENERAL NOTES**  
 BRIDGE NO. HAM-71-0228 RAMP OVER I-71  
 HAMILTON COUNTY

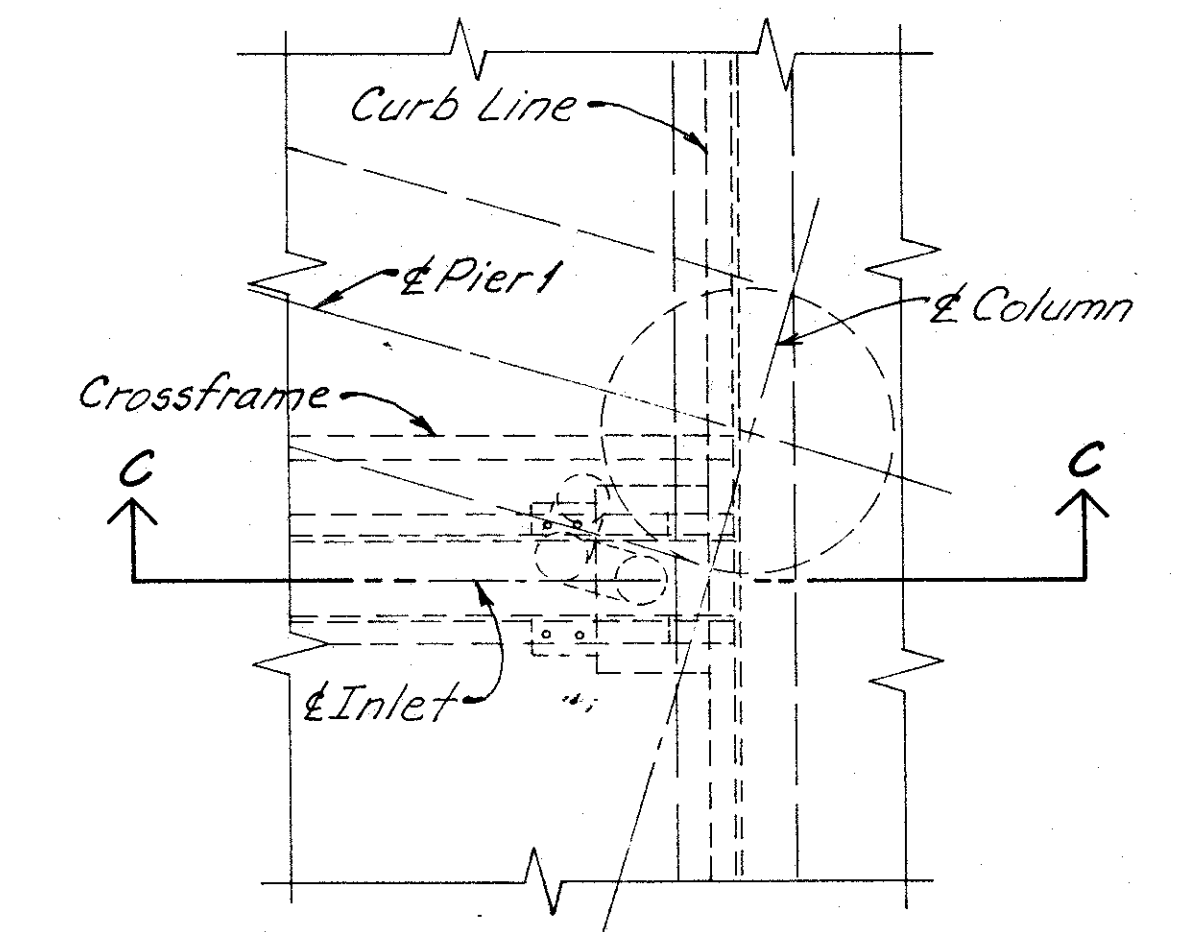
DESIGNED	DRAWN	TRACED	CHECKED	REVIEWED	DATE	REVISED
L.A.T.M.	D.E.E.		M.A.A.	DEM11/11/94		



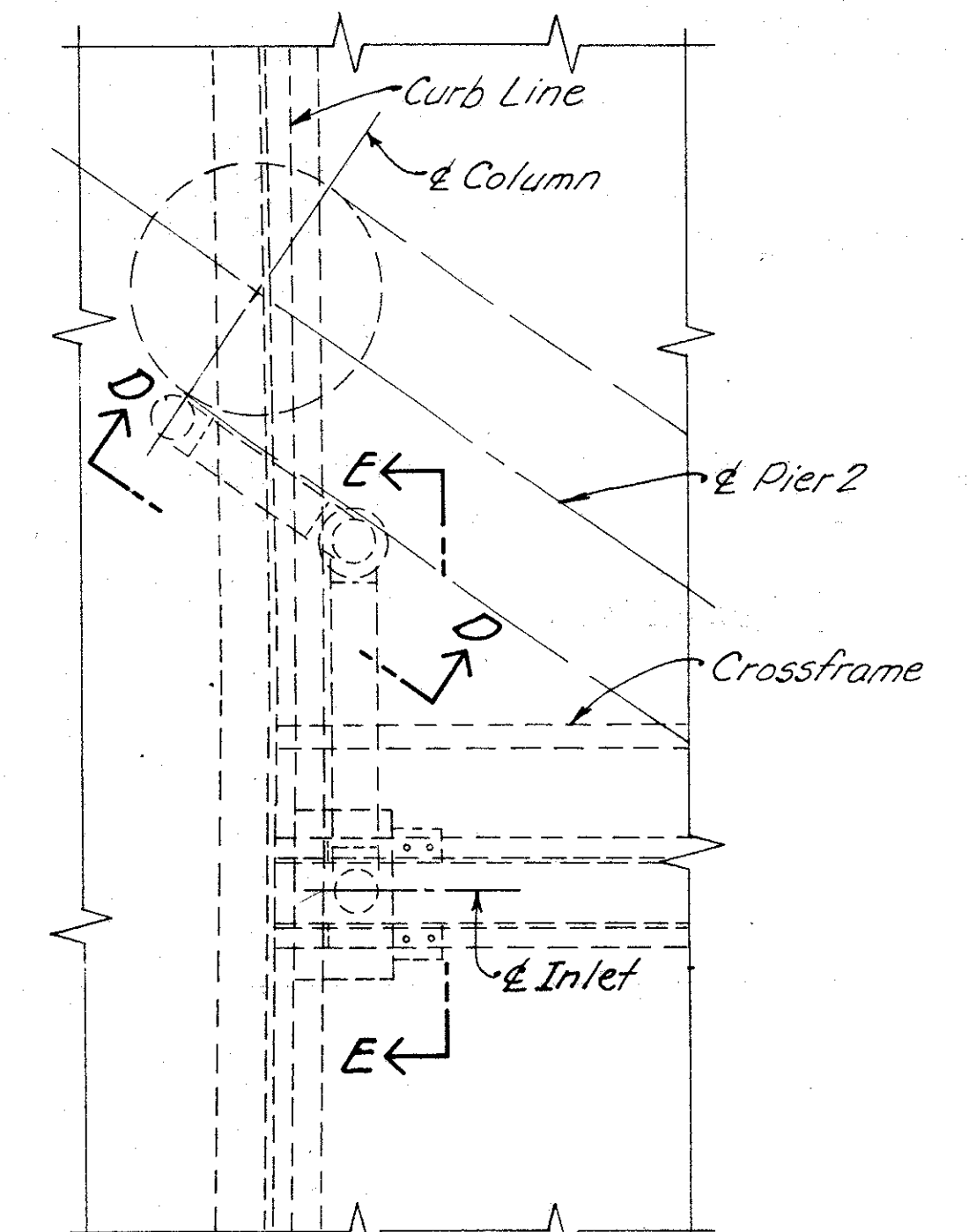
**PLAN EAST ABUTMENT**



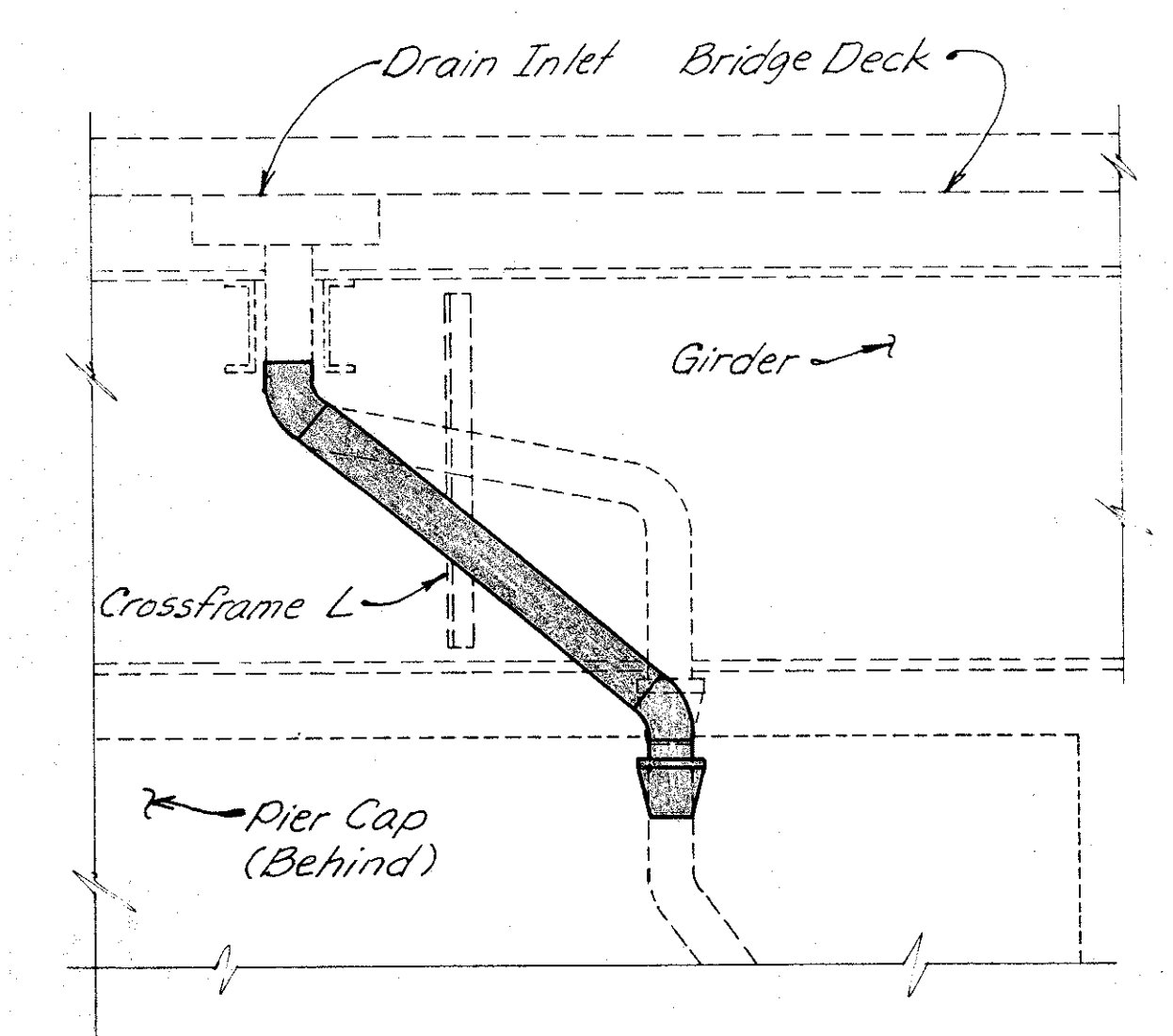
**PLAN WEST ABUTMENT**



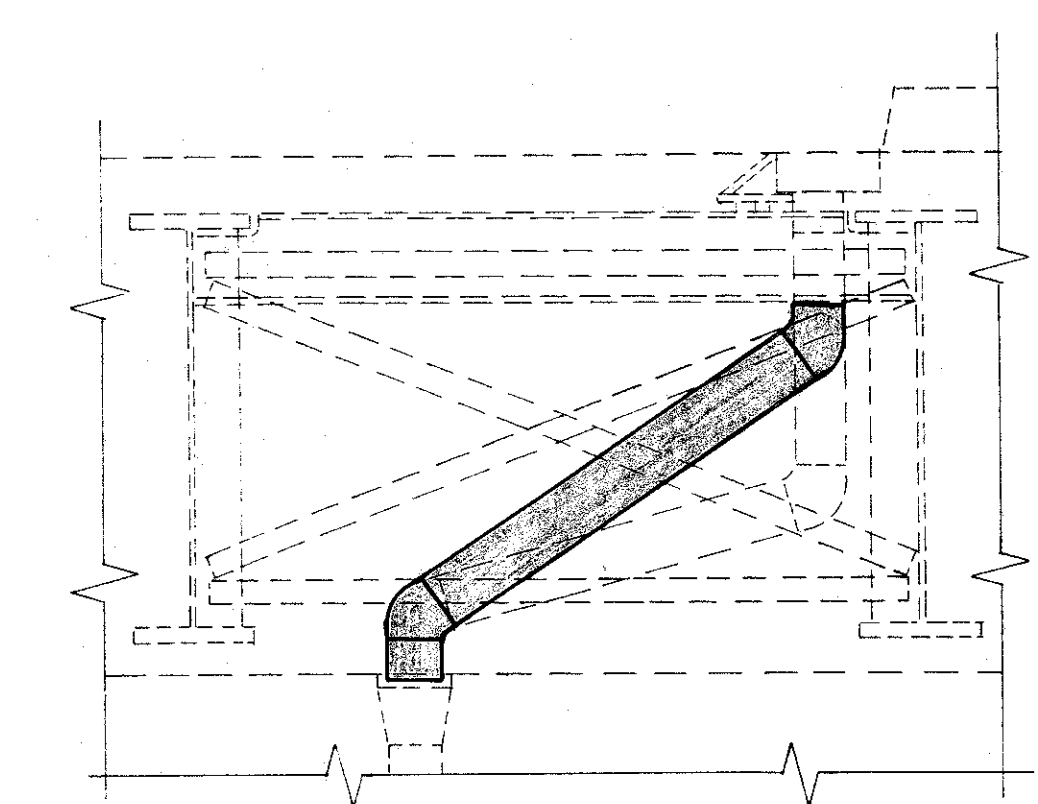
**PLAN PIER 1**



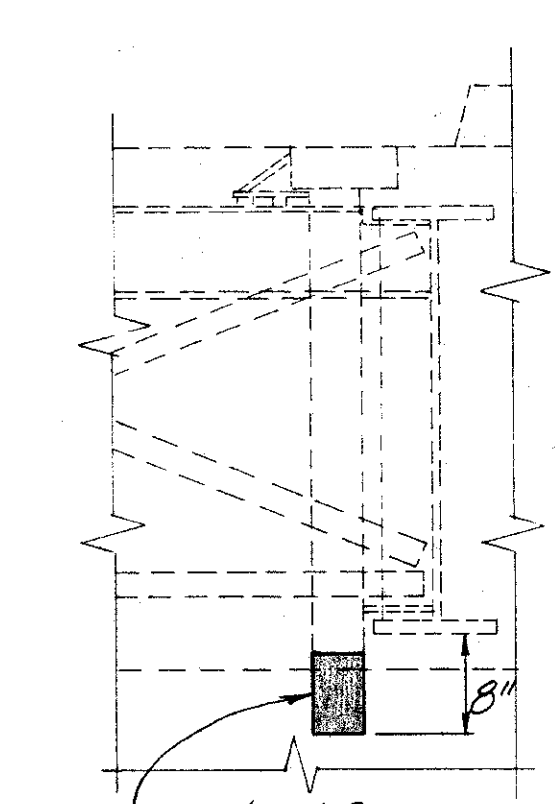
**PLAN PIER 2**



**SECTION E-E**

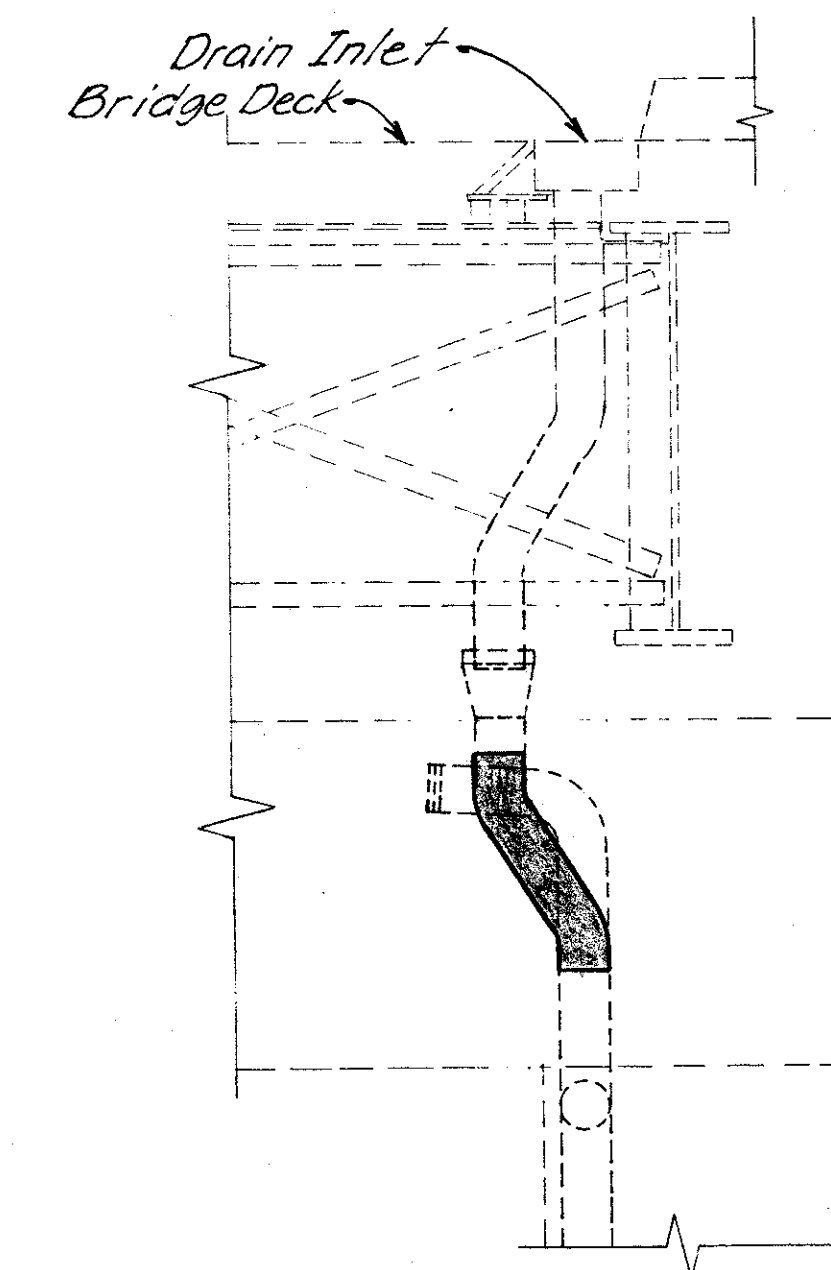


**SECTION A-A**

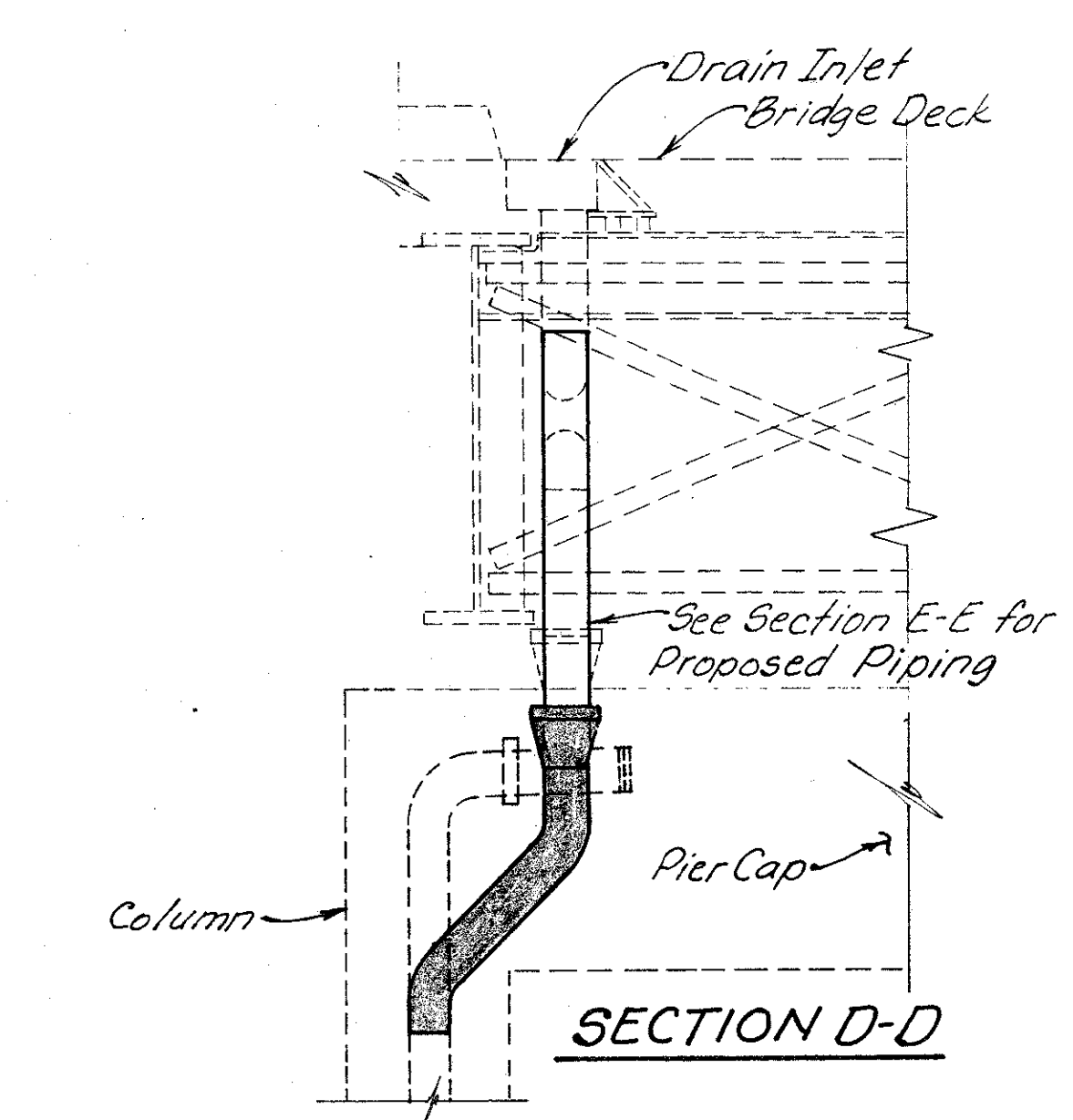


**SECTION B-B**

Extend Scupper, paid for as Item 518, for details see Sht. 273/401



**SECTION C-C**



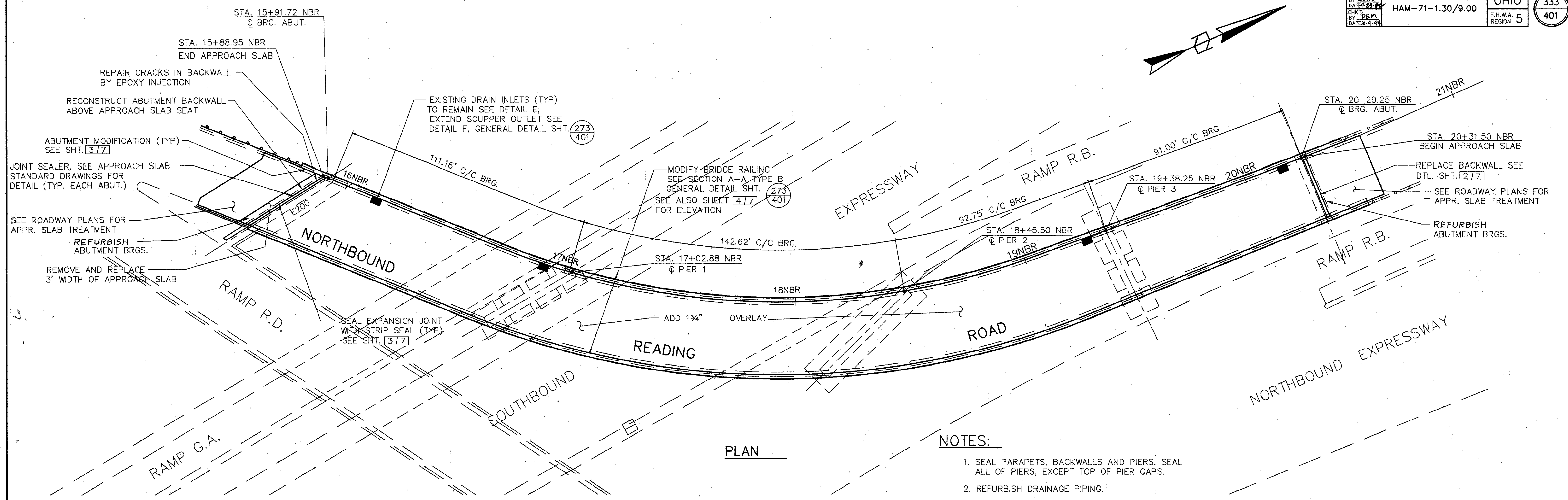
**SECTION D-D**

1. For Drainage piping requirements see General Notes on Sht. 273/401
2. Approximate No. of Linear Feet of proposed 8" pipe (including specials) = 35'

<b>WOOLPERT CONSULTANTS</b> 409 East Monument Avenue Dayton, Ohio 45402-1226		7 / 7
<b>DRAINAGE DETAILS</b>		
BRIDGE NO. HAM-71-0228 OVER 1-71		
HAMILTON COUNTY		
DESIGNED	DRAWN	TRACED
L.A.T.M.	L.A.P.	M.A.A.
CHECKED	REVIEWED	DATE
	D.E.M.	11/11/94



350 0 pny e 333-401

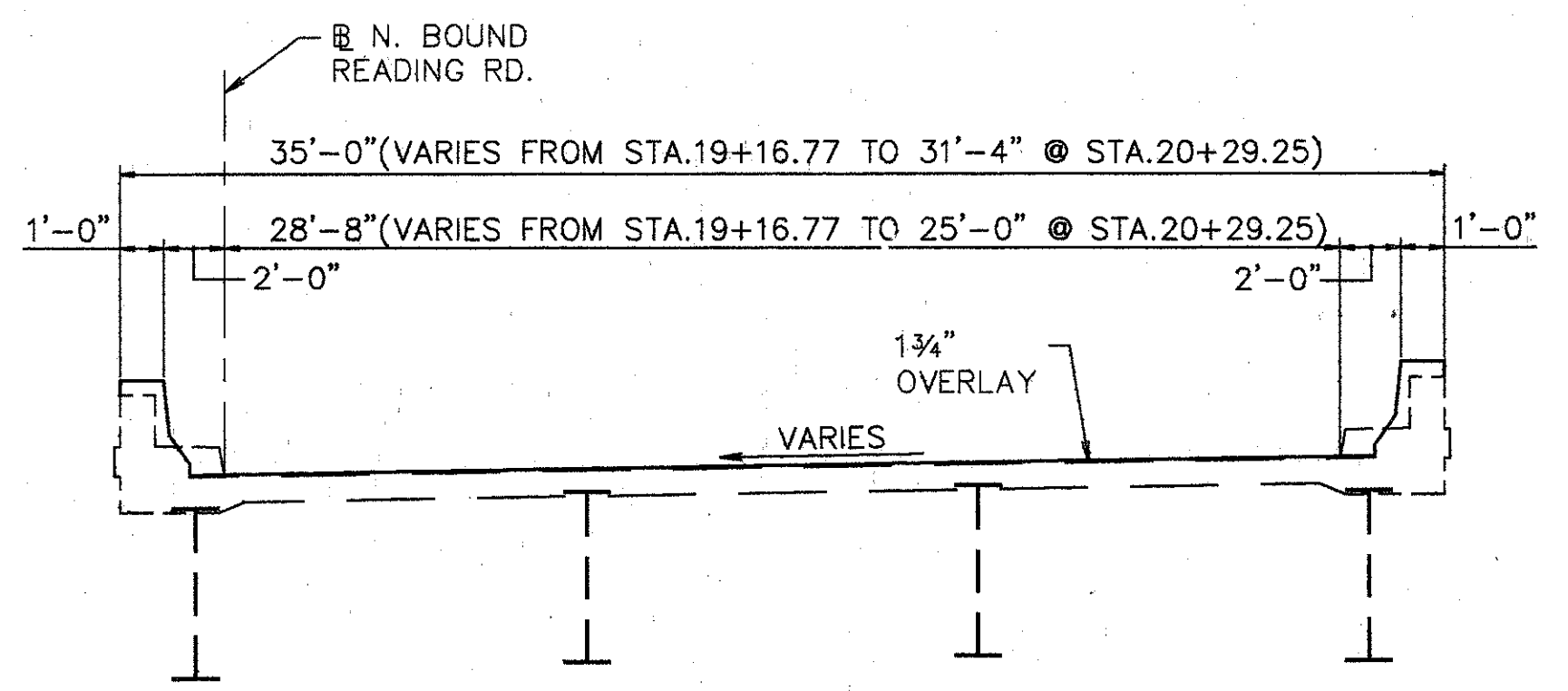


PLAN

NOTES:

1. SEAL PARAPETS, BACKWALLS AND PIERS. SEAL ALL OF PIERS, EXCEPT TOP OF PIER CAPS.
2. REFURBISH DRAINAGE PIPING.
3. SEE JUNCTION BOX EXTENSION DETAIL GENERAL DTL. SHT. (273/401) FOR BARRIER RETROFIT AT JUNCTION BOXES. REFER TO LIGHTING DETAILS FOR TYPE & LOCATION.

SLIDING PLATE SIZE	JACK CAPACITY REQ'D. (MIN)
E200	150 TON
E150	100 TON



TYPICAL BRIDGE SECTION

EXISTING STRUCTURE

TYPE: CONTINUOUS STEEL PLATE GIRDERS WITH REINFORCED CONCRETE DECK & SUBSTRUCTURE  
 SPANS: 111.16', 142.62', 92.75', 91.00', C/C BRG. MEASURED ALONG B  
 ROADWAY: VARIES 25' TO 29' F/F CURBS WITH 2'-0" SAFETY CURBS  
 LOADING FREQUENCY: C.F.=2000 (57) ADEQUATE FOR AASHO ALTERNATE LOADING  
 WEARING SURFACE: 1" MONOLITHIC CONCRETE  
 APPROACH SLABS: AS-1-54 (25'-0" LONG)  
 ALIGNMENT: VARIES  
 SUPERELEVATION: VARIES

**WOOLPERT CONSULTANTS**  
 409 E. MONUMENT AVENUE  
 DAYTON, OHIO 45402-1226  
 (513) 461-5660

GENERAL PLAN

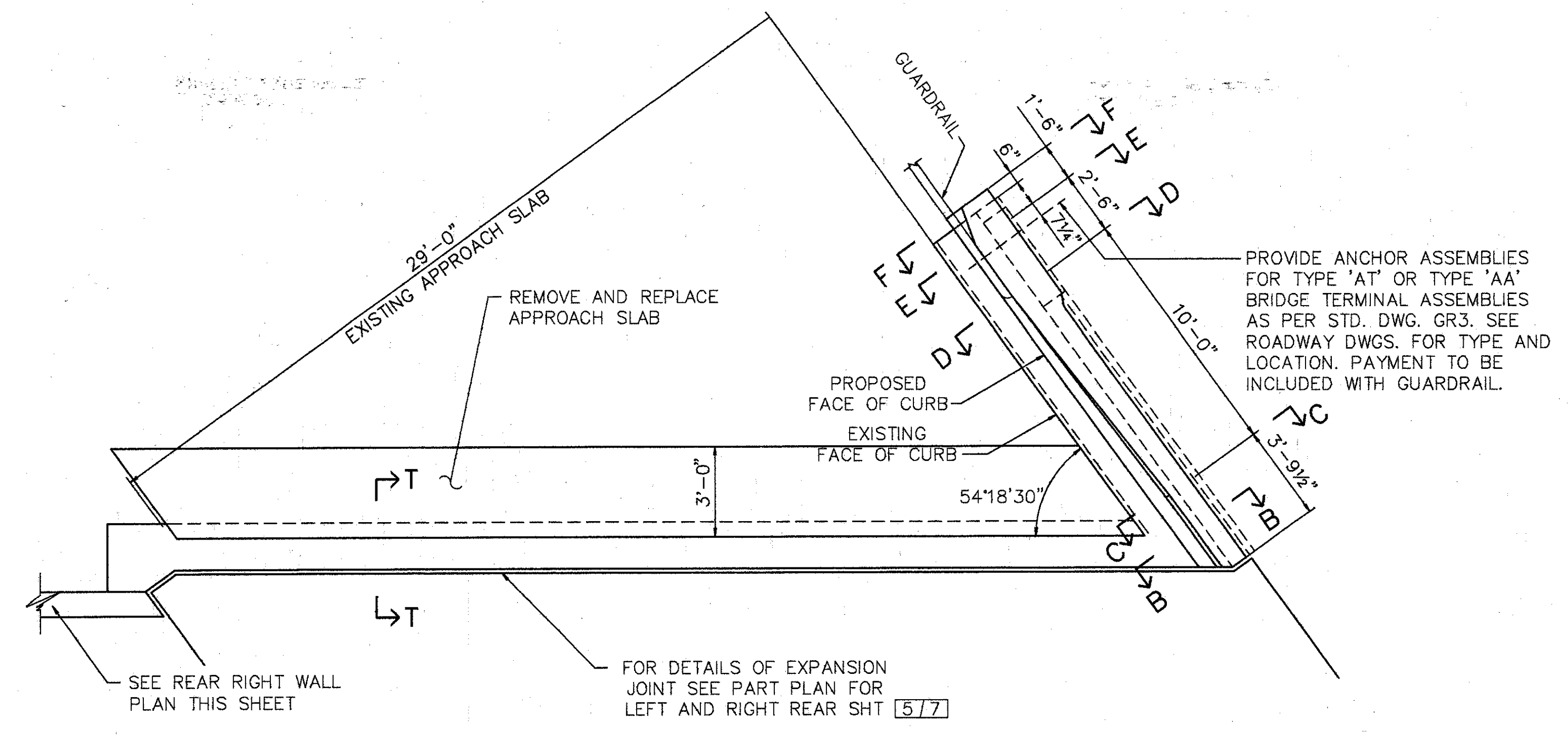
BRIDGE NO. HAM-42-0235 R (HAM-71-0229 L)  
 NORTHBOUND READING ROAD OVER SOUTHBOUND (I-71)  
 HAMILTON COUNTY

DESIGNED	DRAWN	TRACED	CHECKED	REVIEWED	DATE	REVISED
L.A.T.M.	D.E.E.		M.A.A.	D.E.M.	11/94	

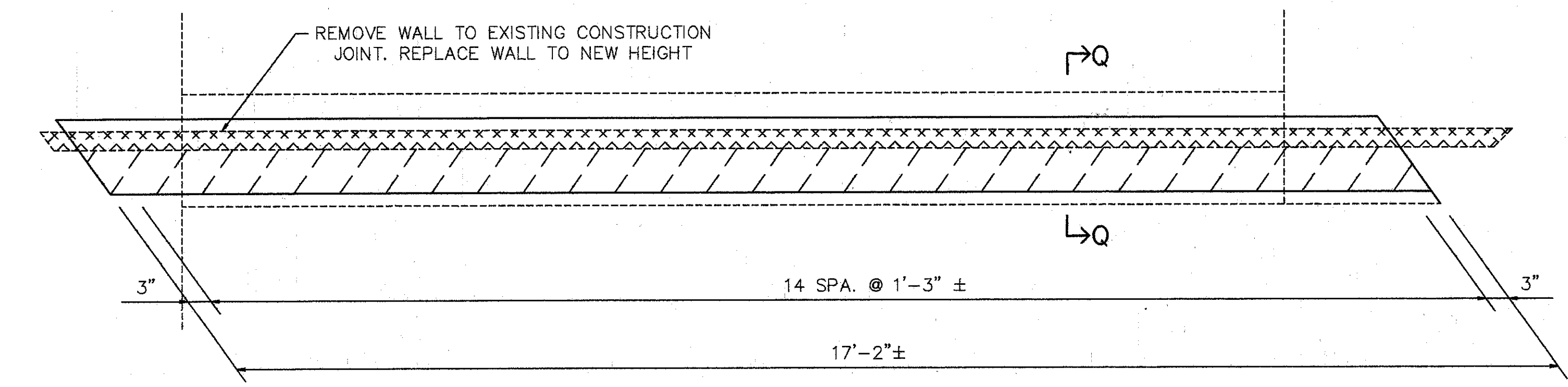
LAM: PLOT MAY 10, 1991 @ 4:22 PM  
 C:\STR\10596-CO\BRIDGE\42-0235R.Lam Plotter By: D.E.E. APR. 13, 1993 @ 8:10 AM



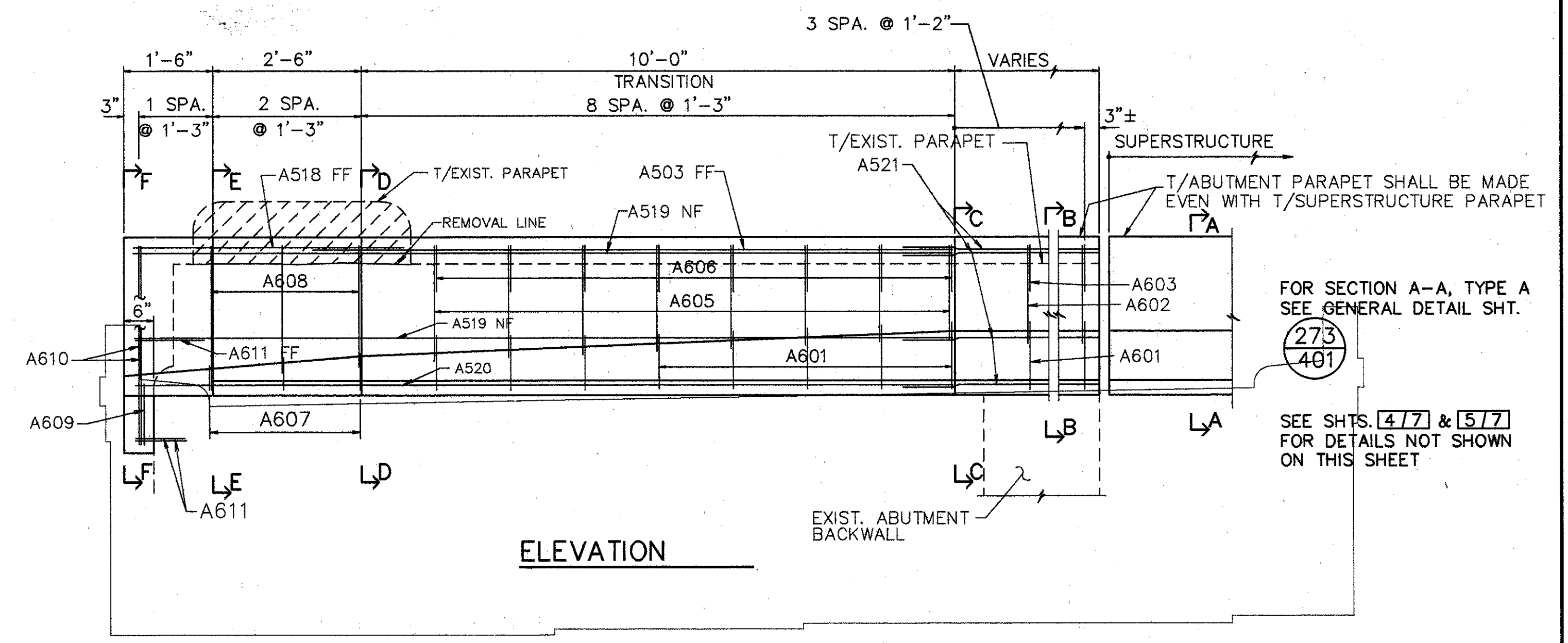




**PLAN-REAR ABUTMENT MODIFICATION**



**REAR RIGHT WALL PLAN**

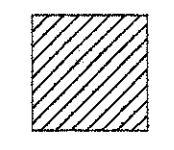


**ELEVATION**

- NOTES:**
- L DENOTES LEFT SIDE
  - R DENOTES RIGHT SIDE
  - RF DENOTES RIGHT FORWARD
  - LF DENOTES LEFT FORWARD
  - RR DENOTES RIGHT REAR
  - LR DENOTES LEFT REAR
  - NF DENOTES NEAR FACE
  - FF DENOTES FAR FACE

**NOTES FOR SECTION T-T**

- ① EXISTING REINFORCING STEEL TO REMAIN - REINFORCING STEEL DAMAGED TO BE REPLACED AT CONTRACTORS EXPENSE.
- ② 1" MIN. EMBEDMENT (SEE DOWEL HOLE GENERAL NOTE) ITEM 510.
- ③ TYPE 'A' WATERPROOFING (PAYMENT INCLUDED IN THE PRICE BID FOR APPROACH SLAB).
- ④ CLASS 'C' CONCRETE, ABUTMENT RECONSTRUCTION.
- ⑤ PROVIDE CONTRACTION AND EXPANSION JOINTS TO MATCH THOSE IN EXISTING BACKWALL AND PROVIDE CONSTRUCTION JOINTS AS REQUIRED TO MAINTAIN TRAFFIC. PAYMENT TO BE INCLUDED IN PRICE BID FOR ITEM 511 CLASS C CONCRETE RECONSTRUCTION.



EXISTING CONCRETE TO BE REMOVED INCLUDE IN ITEM 202 FOR PAYMENT.

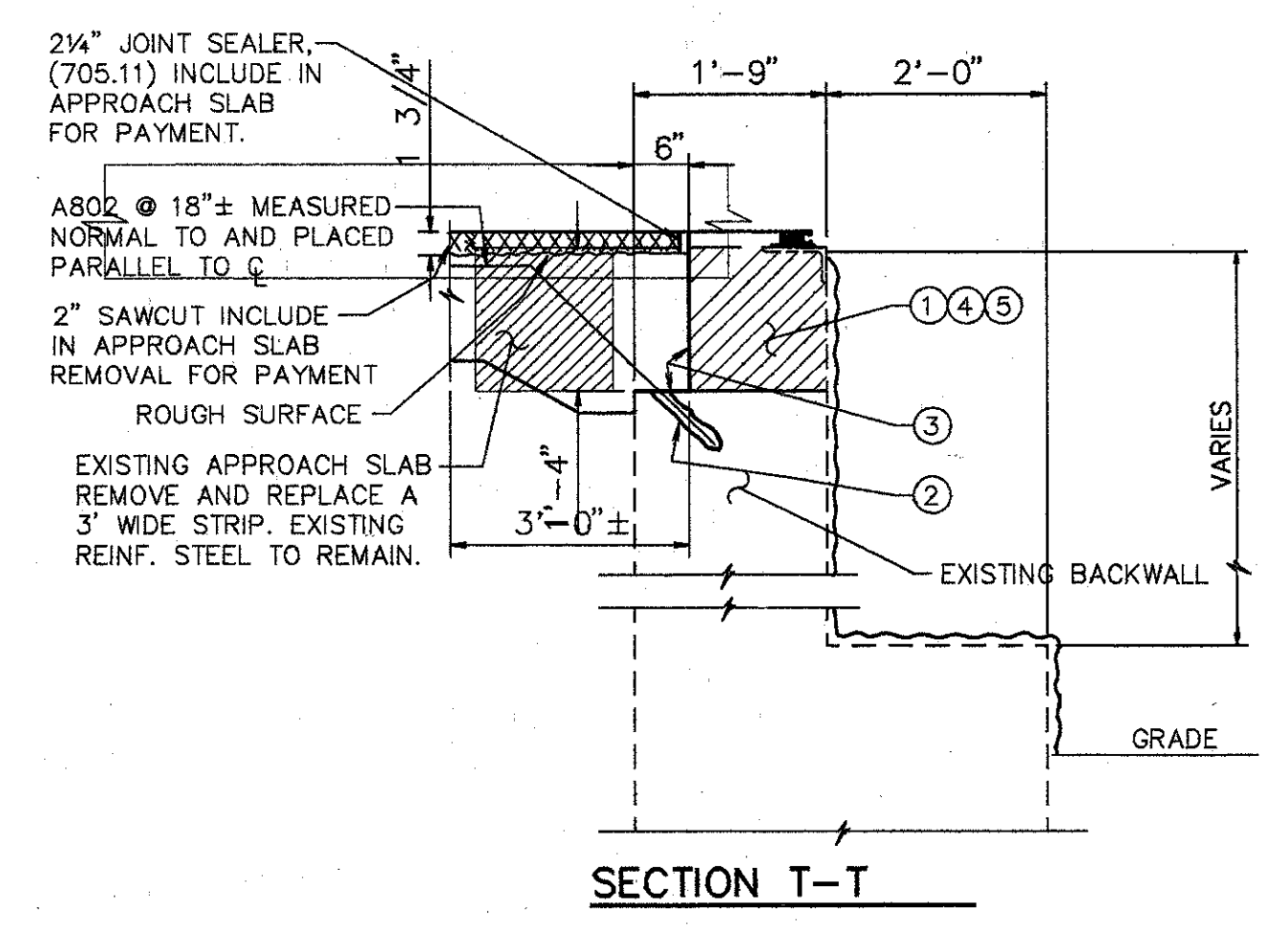
SURFACE TO BE SEALED UNDER ITEM SPECIAL- 'SEALING OF CONCRETE SURFACE, EPOXY'.

EXIST. CURB & PARAPET TO BE REMOVED UNDER ITEM 202-'PORTIONS OF STRUCTURES REMOVED'.

EXIST. RAILING & POSTS TO BE REMOVED & STACKED NEATLY ALONG THE RIGHT-OF-WAY FOR DISPOSAL BY THE CONTRACTOR. ALL WORK SHALL BE INCLUDED IN THE PRICE BID FOR ITEM 202-'PORTIONS OF STRUCTURE REMOVED'.

XXXXXX SURFACES TO BE SEALED UNDER ITEM SPECIAL-'SEALING OF CONCRETE SURFACES'.

- NOTES:**
1. PREFORMED EXPANSION JT. FILLER & SEALER AT CORNERS AND SIDES OF THE APP. SLAB SHALL BE INCLUDED IN THE PRICE BID PER SQ. YD. FOR THE APPR. SLAB.



**SECTION T-T**

ADDITIONAL SECTIONS ON SHEET 477

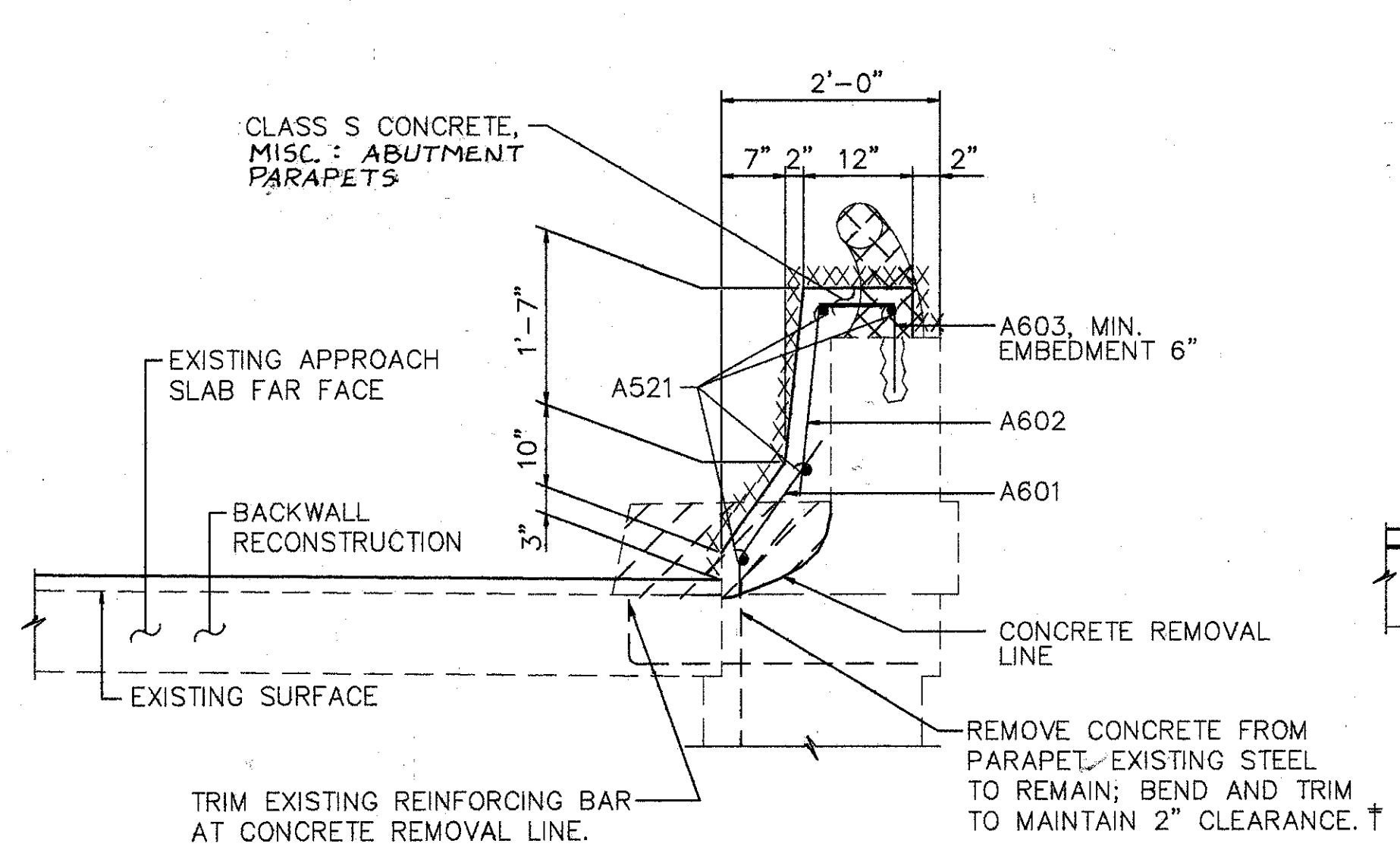
**WOOLPERT CONSULTANTS**  
 409 E. MONUMENT AVENUE  
 DAYTON, OHIO 45402-1226  
 (513) 461-5660

**REAR ABUTMENT & PARAPET ELEVATIONS**  
 BRIDGE NO. HAM-42-0235 R (HAM-71-0229 L)

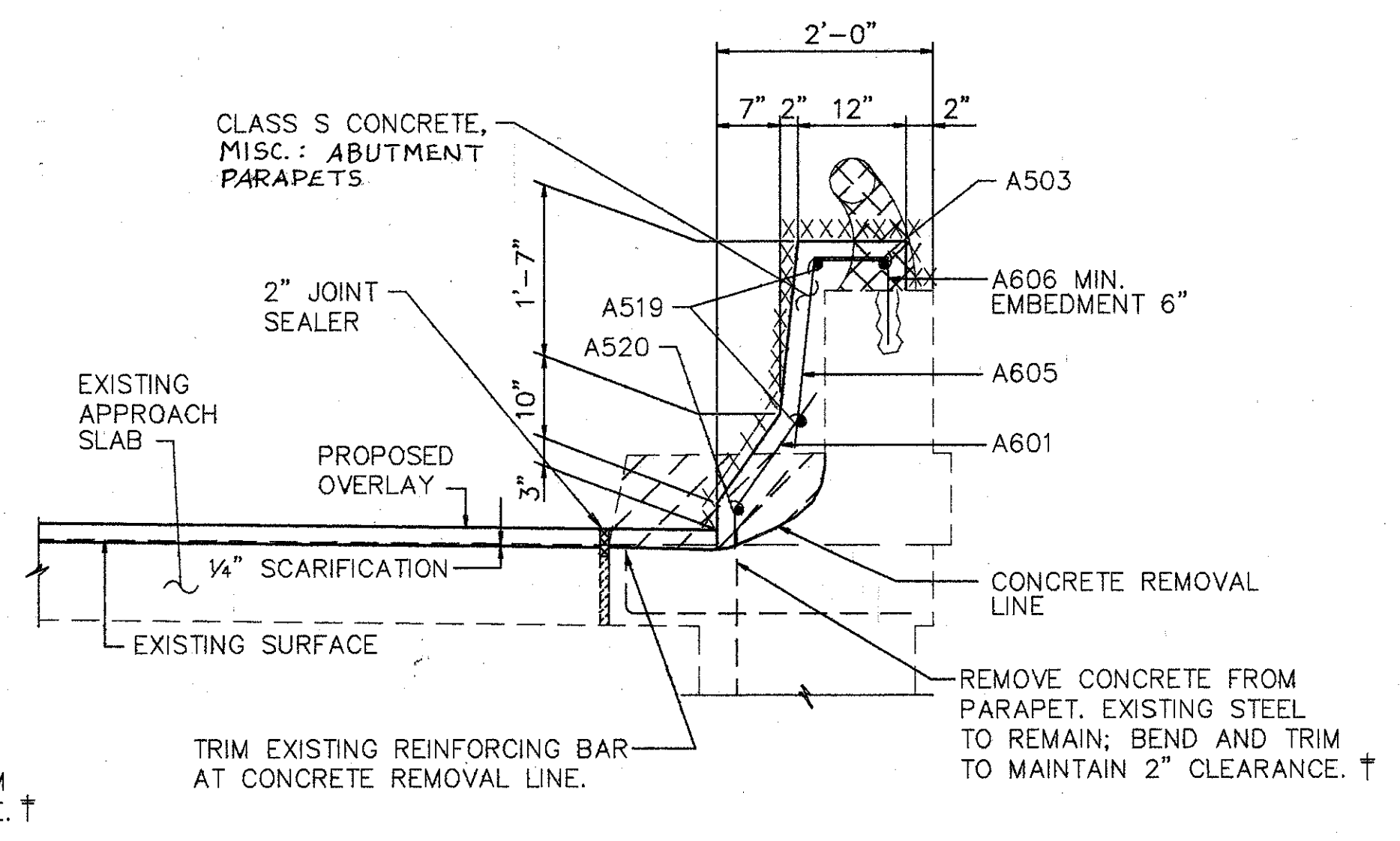
HAMILTON COUNTY

DESIGNED	DRAWN	TRACED	CHECKED	REVIEWED	DATE	REVISED
L.A.T.M.	D.E.E.		M.A.A.	D.E.M.	11/94	

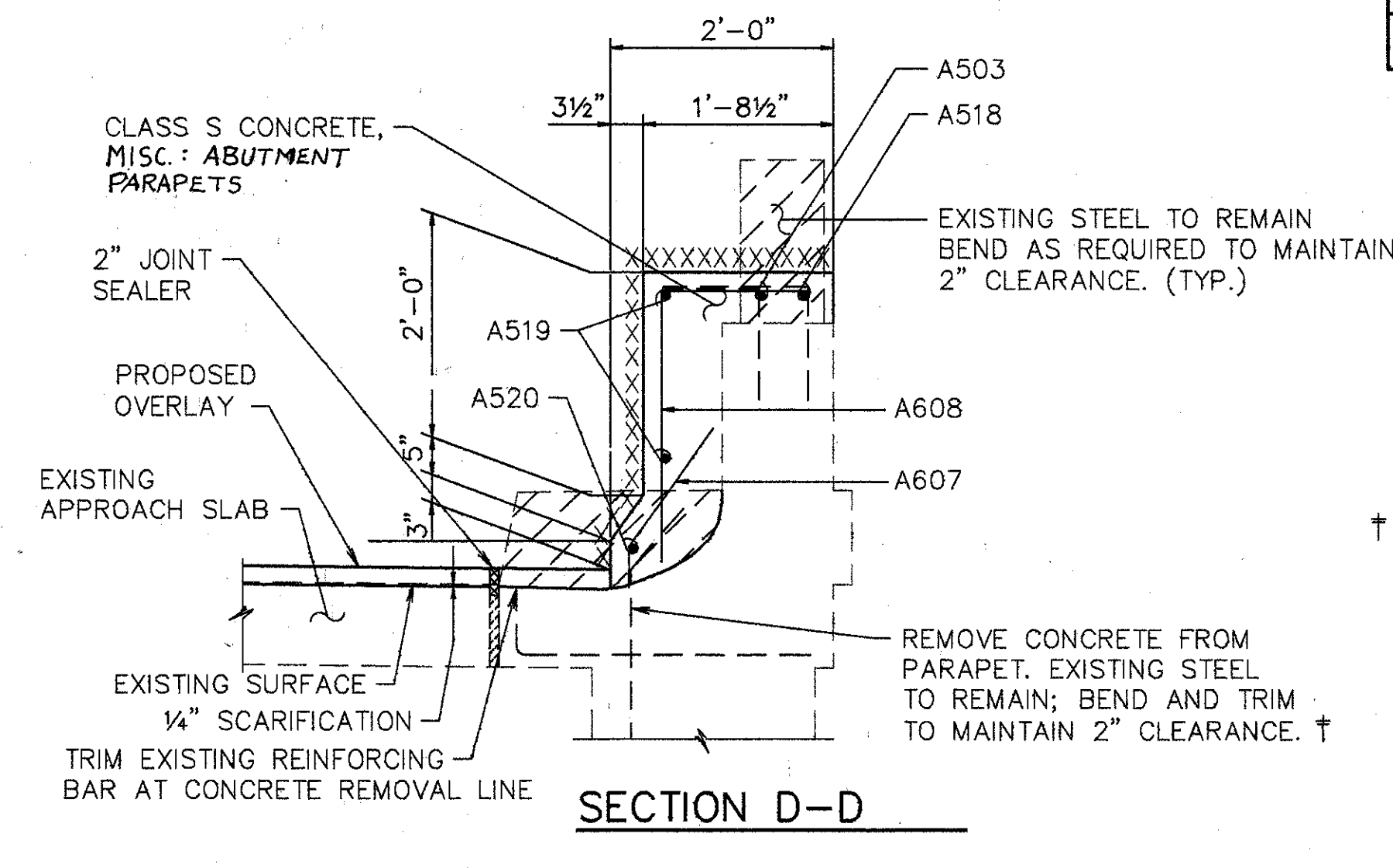
Left Plot MAY 15, 1994 @ 4:53 PM  
 C:\STRA\10594-03\SHLAND\03558173.Lot1.dwg  
 Plot: HAM-71-1.30/9.00



SECTION B-B

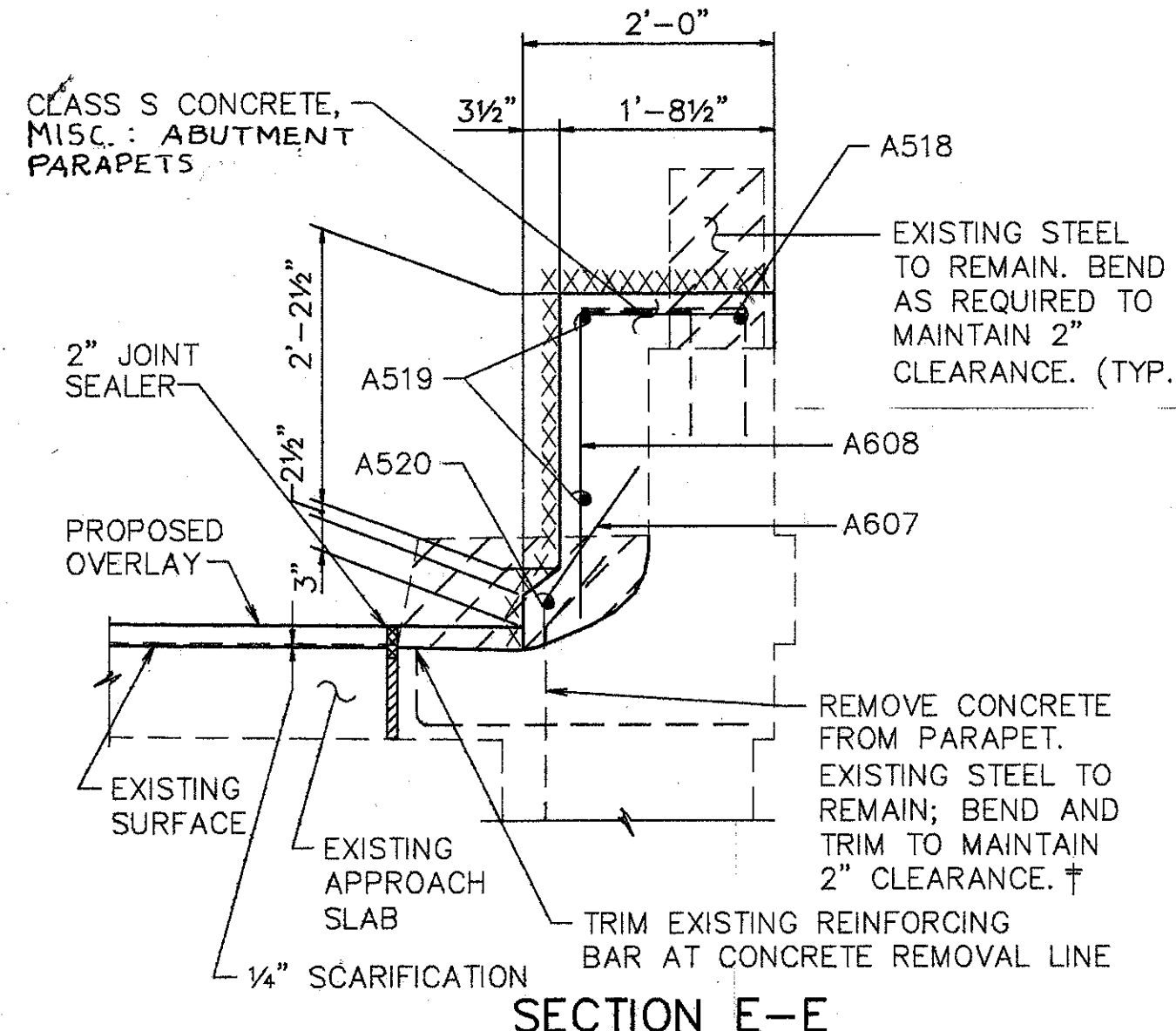


SECTION C-C

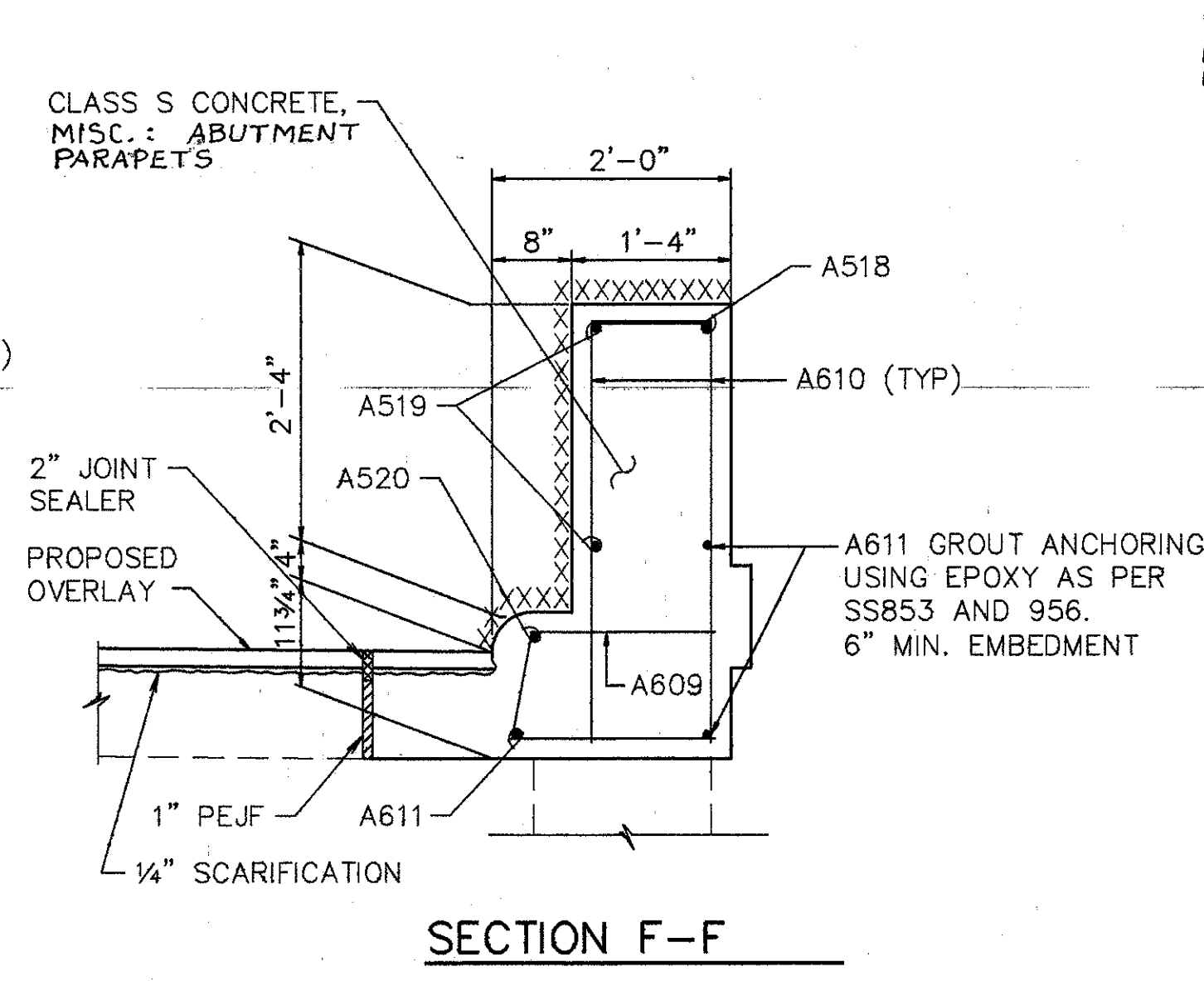


SECTION D-D

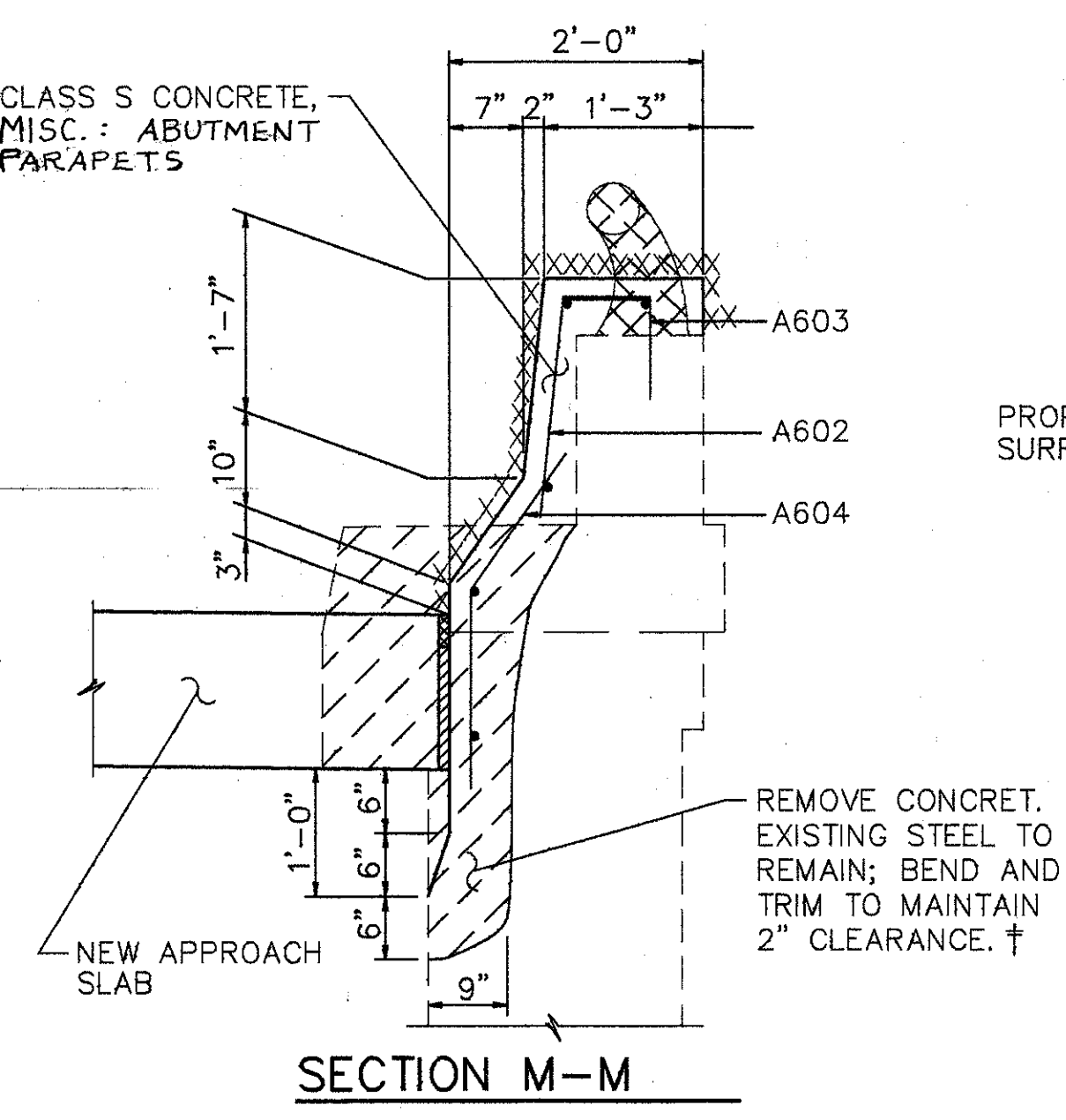
† BARS SHALL REMAIN. CONTRACTOR SHALL EXERCISE CAUTION TO ENSURE THAT THESE BARS ARE NOT DAMAGED DURING THE CONC. REMOVAL OPERATION. ANY BARS DAMAGED AS A RESULT OF THE CONTRACTOR'S OPERATION SHALL BE REPLACED OR REPAIRED BY THE CONTRACTOR AT HIS EXPENSE. METHOD OF REPAIR OR REPLACEMENT WILL BE AT THE DISCRETION OF THE DIRECTOR.



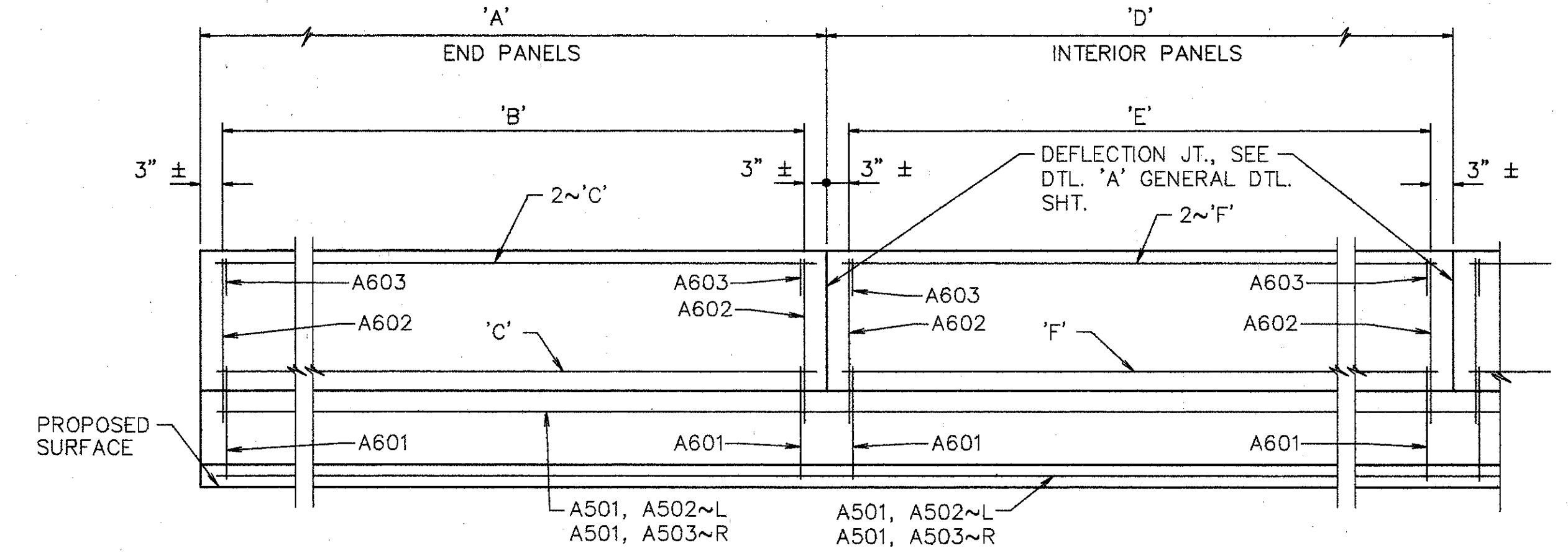
SECTION E-E



SECTION F-F

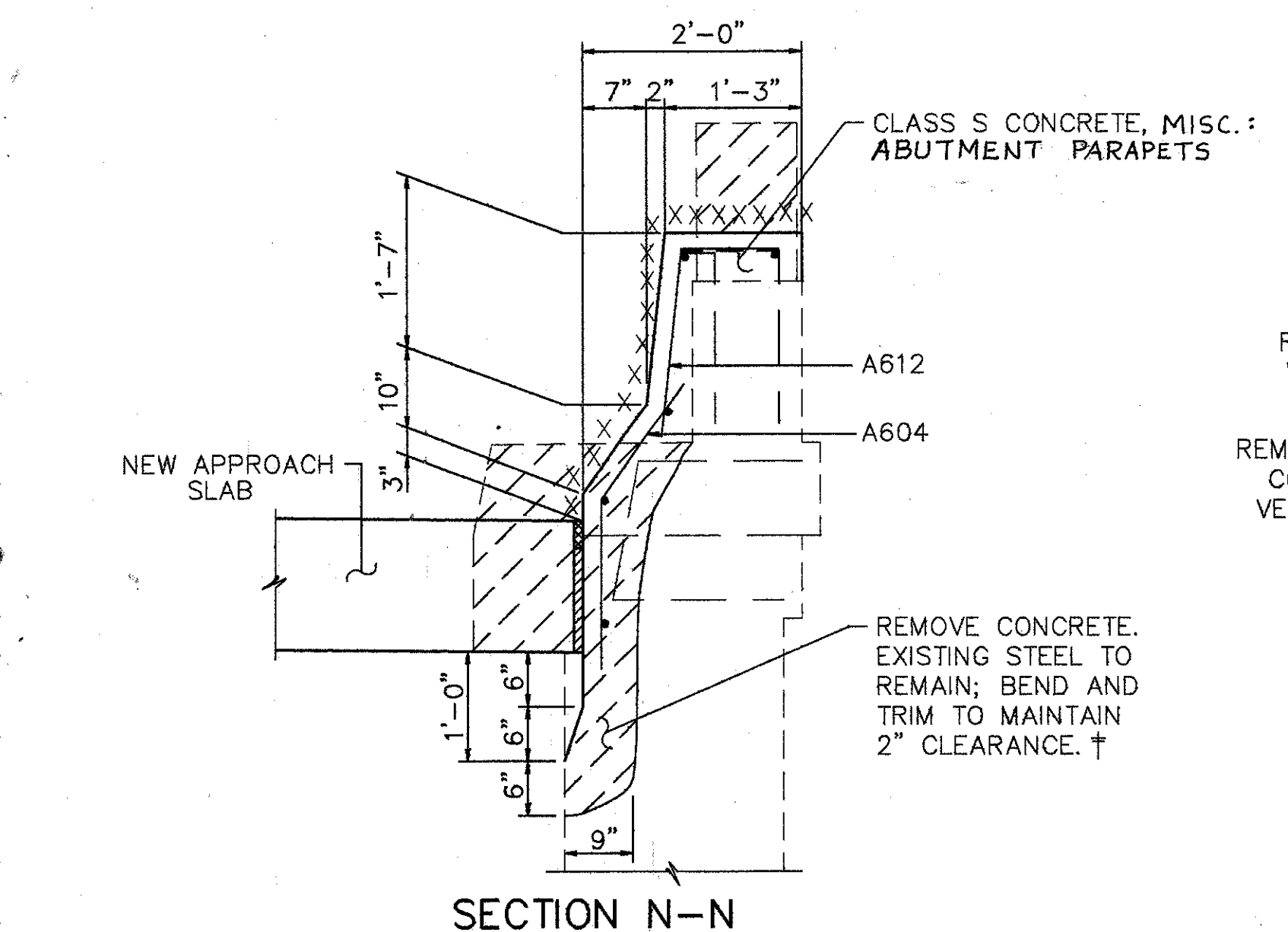


SECTION M-M

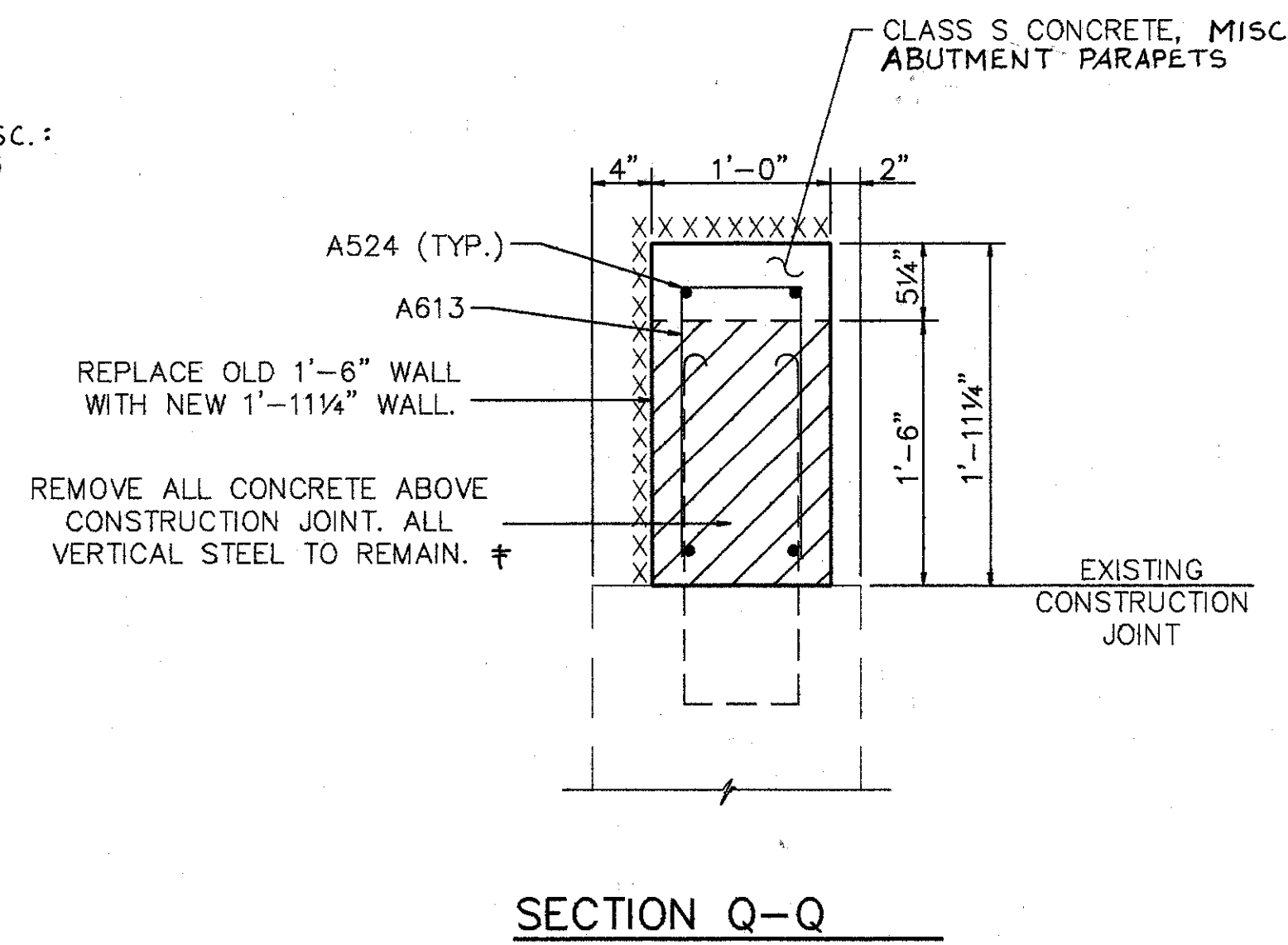


ELEVATION SUPERSTRUCTURE PARAPET

LOCATION	A	B	C	D	E	F
SPAN 1~LEFT WALL	13'-4" 17'-2"	12 SPA. @ 1'-1" 14 SPA. @ 1'-2 1/4"	A512 A510	5~16'-2"	13 SPA. @ 1'-2 1/2"	A504
SPAN 2~LEFT WALL	14'-9 1/2" 17'-6"	12 SPA. @ 1'-2 1/4" 14 SPA. @ 1'-2 1/4"	A508 A511	7~15'-8"	13 SPA. @ 1'-2"	A505
SPAN 3~LEFT WALL	13'-7 1/2"	11 SPA. @ 1'-2 1/2"	A507	5~15'-6"	12 SPA. @ 1'-3"	A506
SPAN 4~LEFT WALL	15'-7 1/2" 12'-11 5/8"	13 SPA. @ 1'-2" 11 SPA. @ 1'-1 3/4"	A509 A513	4~15'-8"	13 SPA. @ 1'-2"	A505
SPAN 1-3 RIGHT WALL	13'-10 7/8" 14'-10"	11 SPA. @ 1'-2 3/4" 12 SPA. @ 1'-2 1/2"	A516 A515	23~16'-0"	13 SPA. @ 1'-2 1/4"	A514
SPAN 4~RIGHT WALL	16'-4" 12'-8"	13 SPA. @ 1'-2 3/4" 10 SPA. @ 1'-2 3/4"	A502 A517	4~15'-4"	12 SPA. @ 1'-3"	A506



SECTION N-N



SECTION Q-Q

- EXIST. CURB & PARAPET TO BE REMOVED UNDER ITEM 202-'PORTIONS OF STRUCTURES REMOVED'.
- EXIST. RAILING & POSTS TO BE REMOVED & STACKED NEATLY ALONG THE RIGHT-OF-WAY FOR DISPOSAL BY THE CONTRACTOR. ALL WORK SHALL BE INCLUDED IN THE PRICE BID FOR ITEM 202-'PORTIONS OF STRUCTURE REMOVED'.
- SURFACES TO BE SEALED UNDER ITEM SPECIAL-'SEALING OF CONCRETE SURFACES'.

- NOTES:
- TYPE "A" WATERPROOFING AT THE BRIDGE LIMIT END OF THE APPROACH SLAB (AS PER STD. DWG. AS-1-81) SHALL BE INCLUDED IN THE PRICE BID FOR ITEM 611 APPROACH SLAB.

- NOTES:
- L DENOTES LEFT SIDE
  - R DENOTES RIGHT SIDE
  - RF DENOTES RIGHT FORWARD
  - LF DENOTES LEFT FORWARD
  - RR DENOTES RIGHT REAR
  - LR DENOTES LEFT REAR
  - NF DENOTES NEAR FACE
  - FF DENOTES FAR FACE

**WOOLPERT CONSULTANTS**  
 409 E. MONUMENT AVENUE  
 DAYTON, OHIO 45402-1226  
 (513) 461-5660

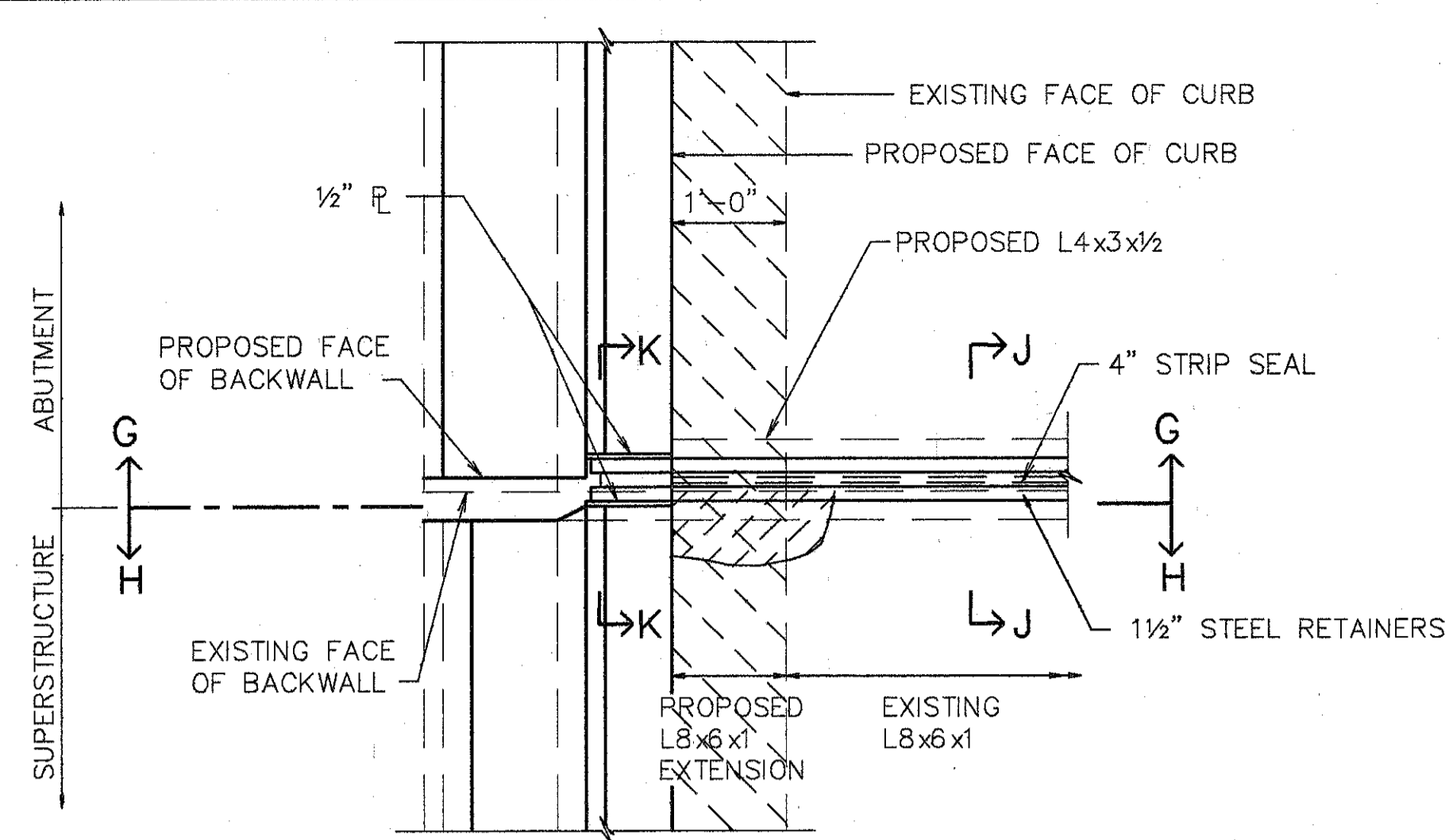
PARAPET SECTIONS

BRIDGE NO. HAM-42-0235 R (HAM-71-0229 L)  
 NORTHBOUND READING ROAD  
 OVER SOUTHBOUND (I-71)  
 HAMILTON COUNTY

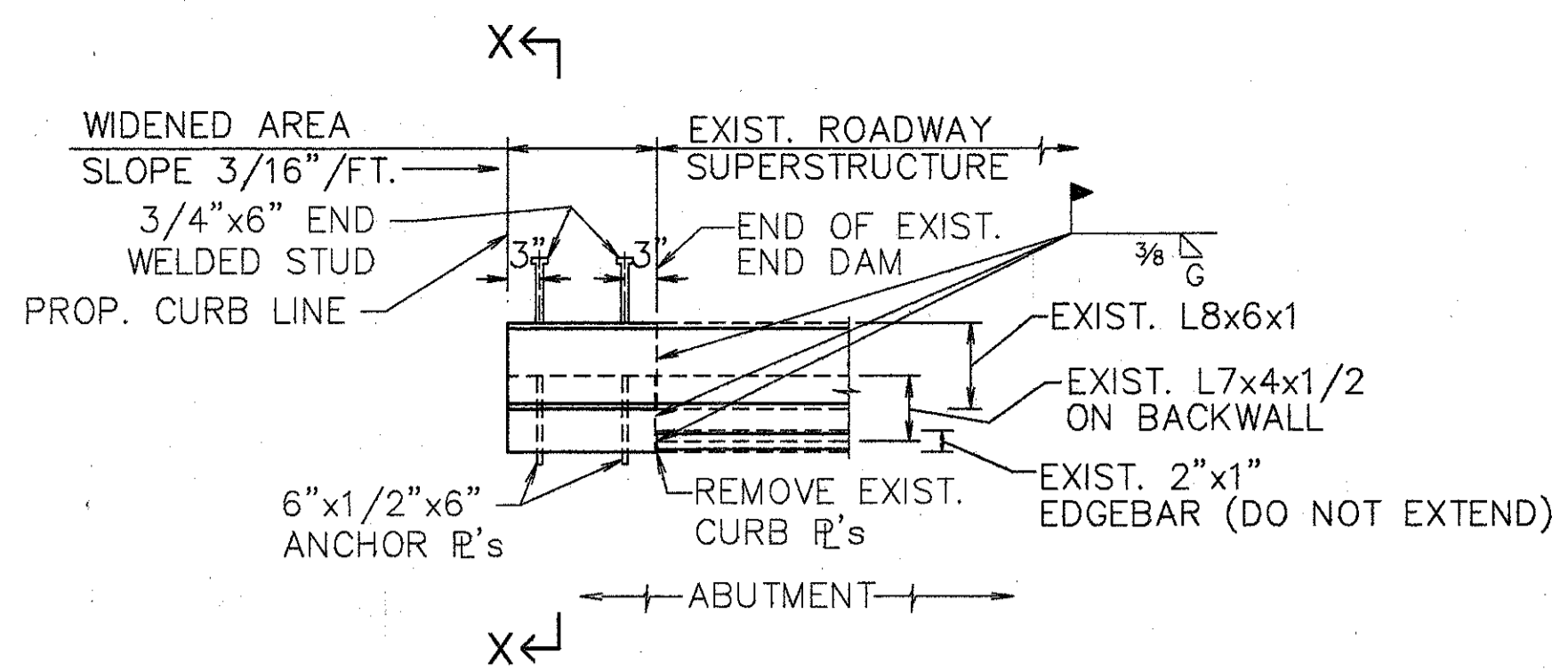
DESIGNED	DRAWN	TRACED	CHECKED	REVIEWED	DATE	REVISED
L.A.T.M.	D.E.E.		M.A.A.			

Last Print: MAY 15, 1991 @ 5:03 PM  
 G:\DATA\9090-CO\SR\AND\202555R14.Lot Section By: D.E.E. APR. 13, 1993 @ 8:54 AM



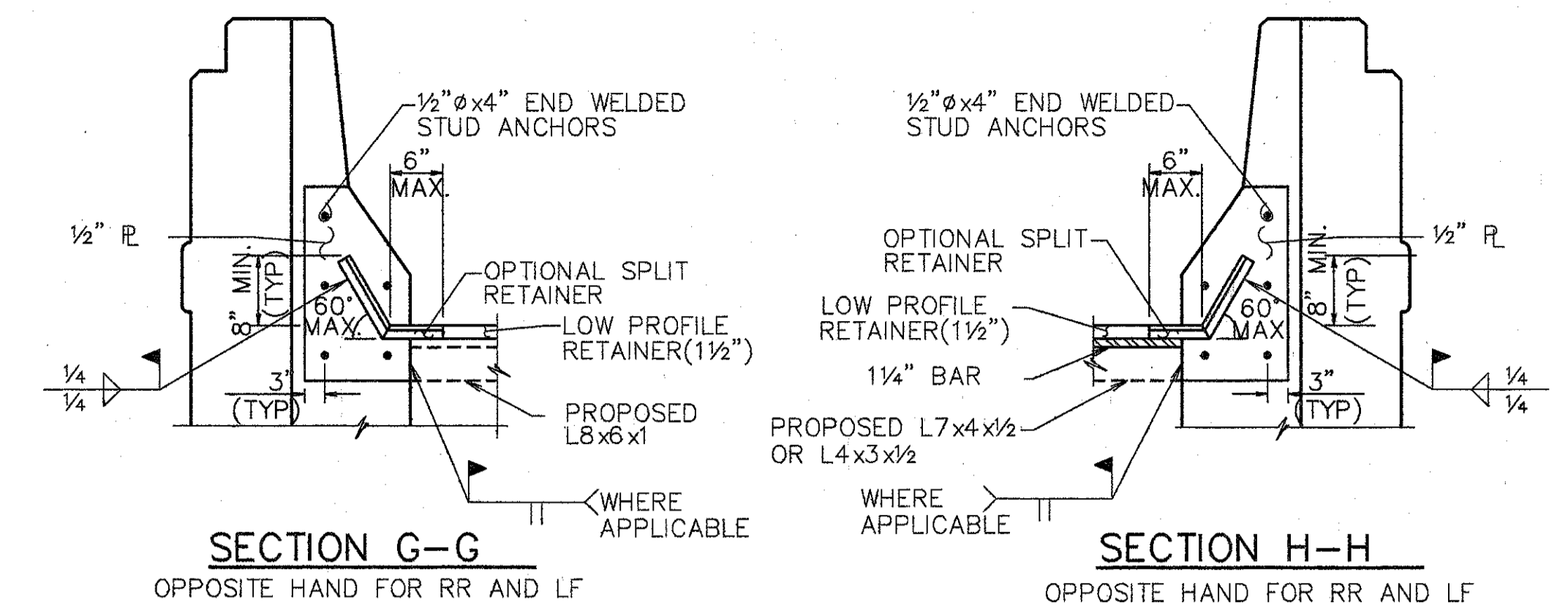


NOTE:  
 1. SEE PLAN END DAM @ WIDENED AREAS FOR ANGLE EXTENSIONS.



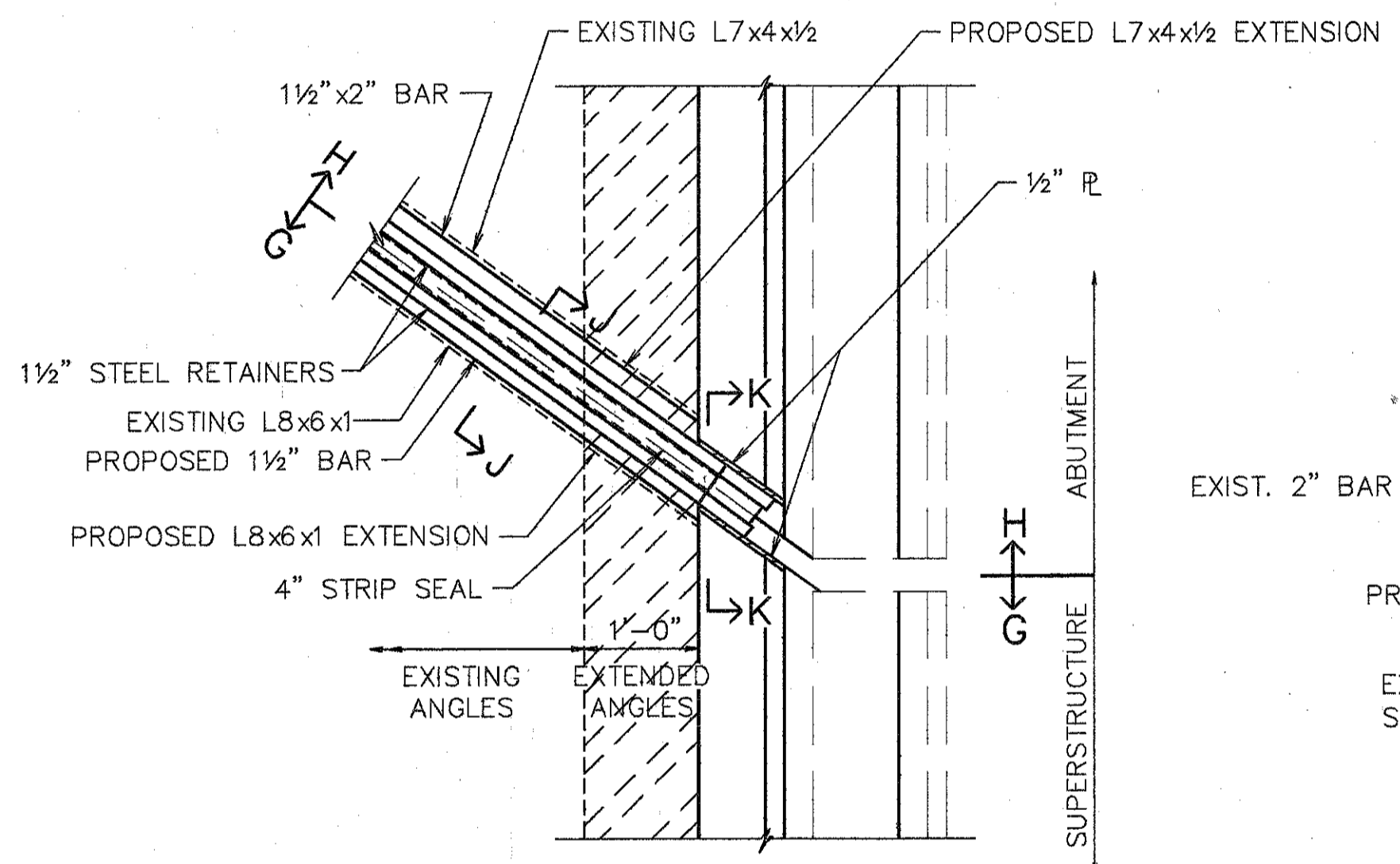
**PLAN END DAM @ WIDENED AREAS (SKEW NOT SHOWN)**

- NOTES:
- END DAM WIDENING SHOWN IS FOR THE R.F. & L.R. CORNERS OF THE BRIDGE. THE L.F. & R.R. CORNERS ARE SIMILAR, BUT OPPOSITE HAND. (SKEW NOT SHOWN)
  - FOR DETAILS & DIMS. NOT SHOWN SEE STD. DWG. SD-1-69.
  - STRIP SEAL OMITTED FOR CLARITY.

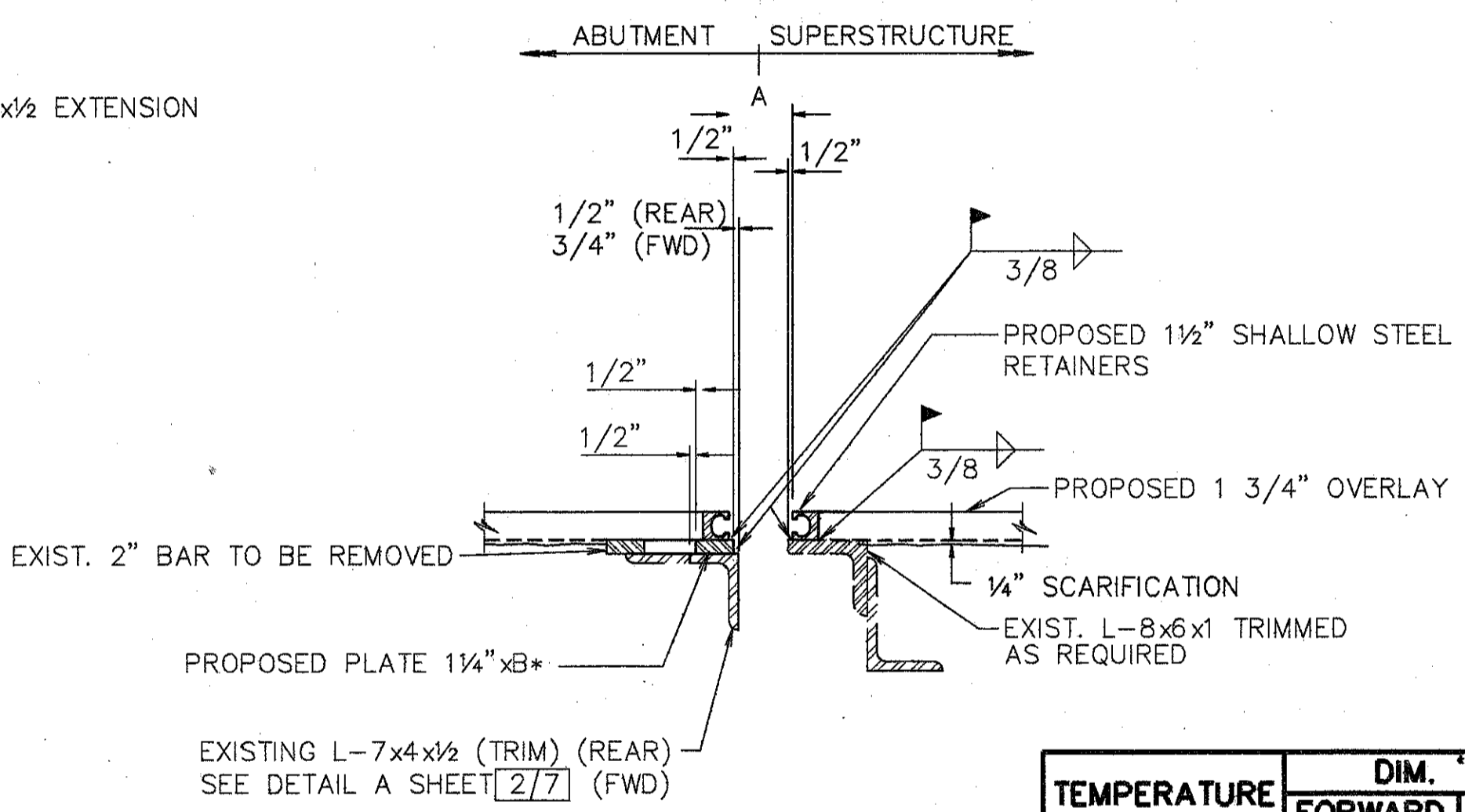


- NOTE:
- EXPANSION JT. DETAILS TO BE WORKED WITH STD. DWG. EXJ-4-87 SHTS. 1 thru 5.
  - WHEN PLATE IS RECESSED INTO ABUTMENT, CONCRETE BELOW PLATE SHALL BE SLOPED FROM BOTTOM OF THE PLATE TO THE END OF THE ABUTMENT TO DETER THE ACCUMULATION OF DEBIS.

**PART PLAN @ LEFT FORWARD  
 RIGHT FORWARD OPPOSITE HAND**



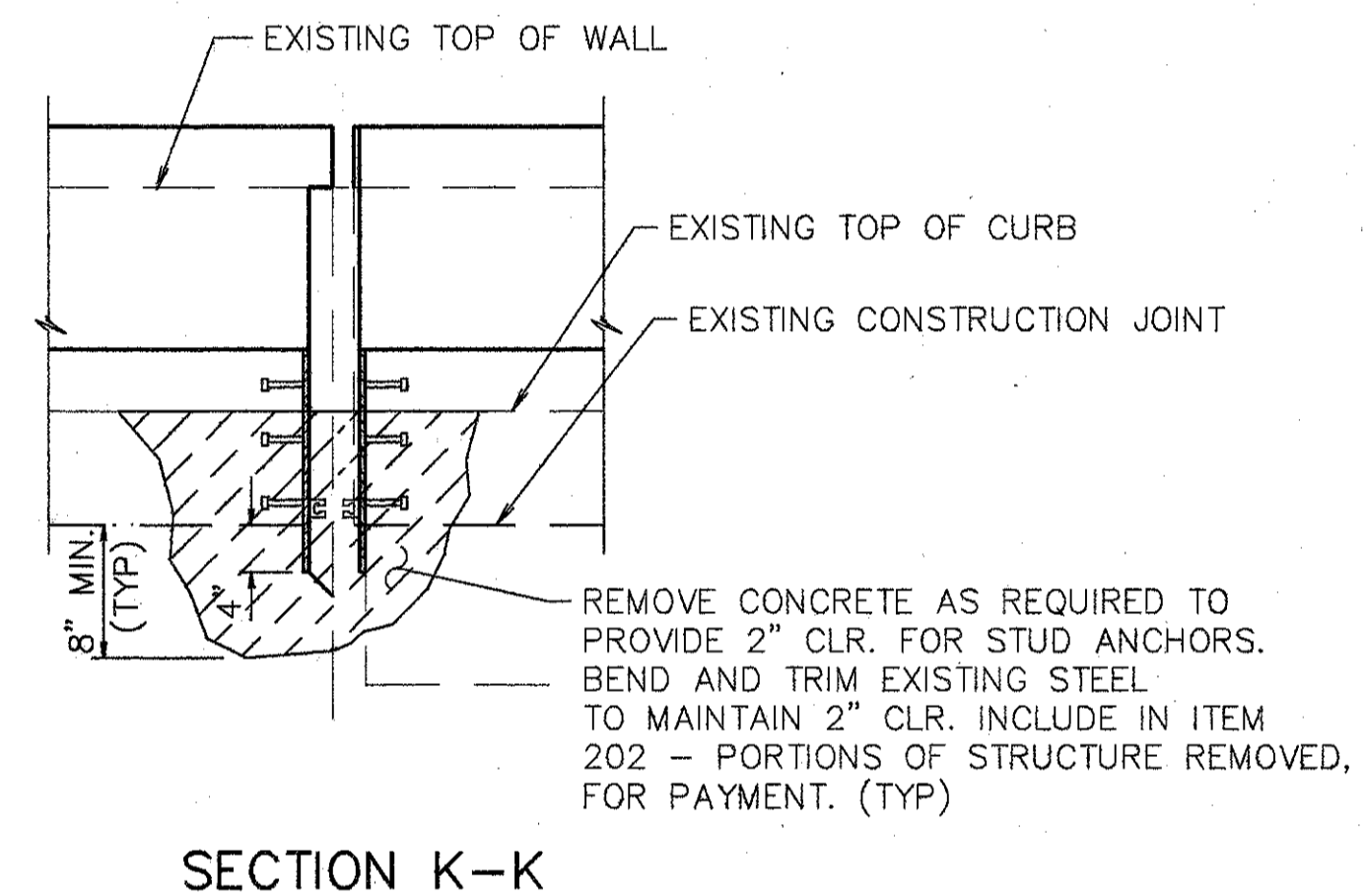
**PART PLAN @ LEFT REAR**



**SECTION J-J**

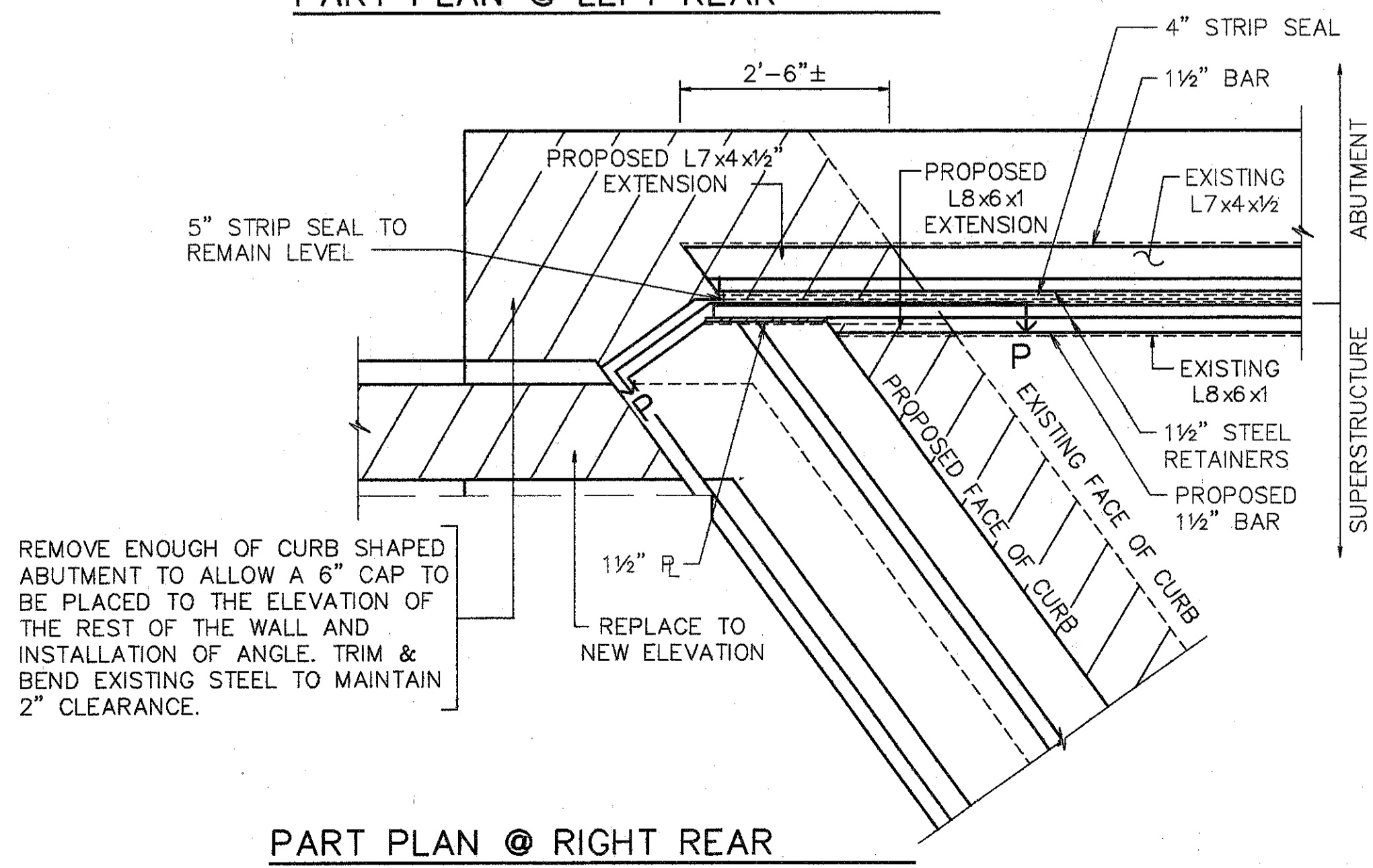
TEMPERATURE	DIM. 'A'	
	FORWARD	REAR
40° F	3 1/8"	3 1/4"
50° F	3"	3 1/8"
60° F	2 7/8"	3"
70° F	2 3/4"	2 7/8"
80° F	2 5/8"	2"
90° F	2 1/2"	2 1/2"

- NOTES:
- CONTRACTOR TO VERIFY ALL DIMENSIONS PRIOR TO MODIFYING THE EXPANSION JOINT.
  - THE PRICE BID FOR ITEM 516--"STRUCTURAL EXPANSION JOINTS, INCLUDING ELASTOMERIC STRIP SEALS", SHALL INCLUDE ALL LABOR, MATERIALS, EQUIPMENT, AND ANY OTHER INCIDENTAL ITEMS, AS DETAILED. REMOVAL OF CURB OR PARAPET AS SHOWN SHALL BE INCLUDED UNDER ITEM 202--"PORTIONS OF STRUCTURE REMOVED."
  - FOR DETAILS NOT SHOWN REFER TO DRAWING EXJ-4-87 SHEETS 3 AND 4.
  - STRIP SEAL TO BE INSTALLED IN ONE CONTINUOUS PIECE (NO OPEN JOINTS).
  - PROVIDE TEMPORARY SUPPORT FOR ABUTMENT END DAM DURING CONSTRUCTION. REMOVE TEMPORARY SUPPORT AS SOON AS CONCRETE HAS SET, PREFERABLY WITHIN TWO HOURS AFTER PLACING TO AVOID DAMAGE DUE TO EXPANSION AND CONTRACTION OF SUPERSTRUCTURE.

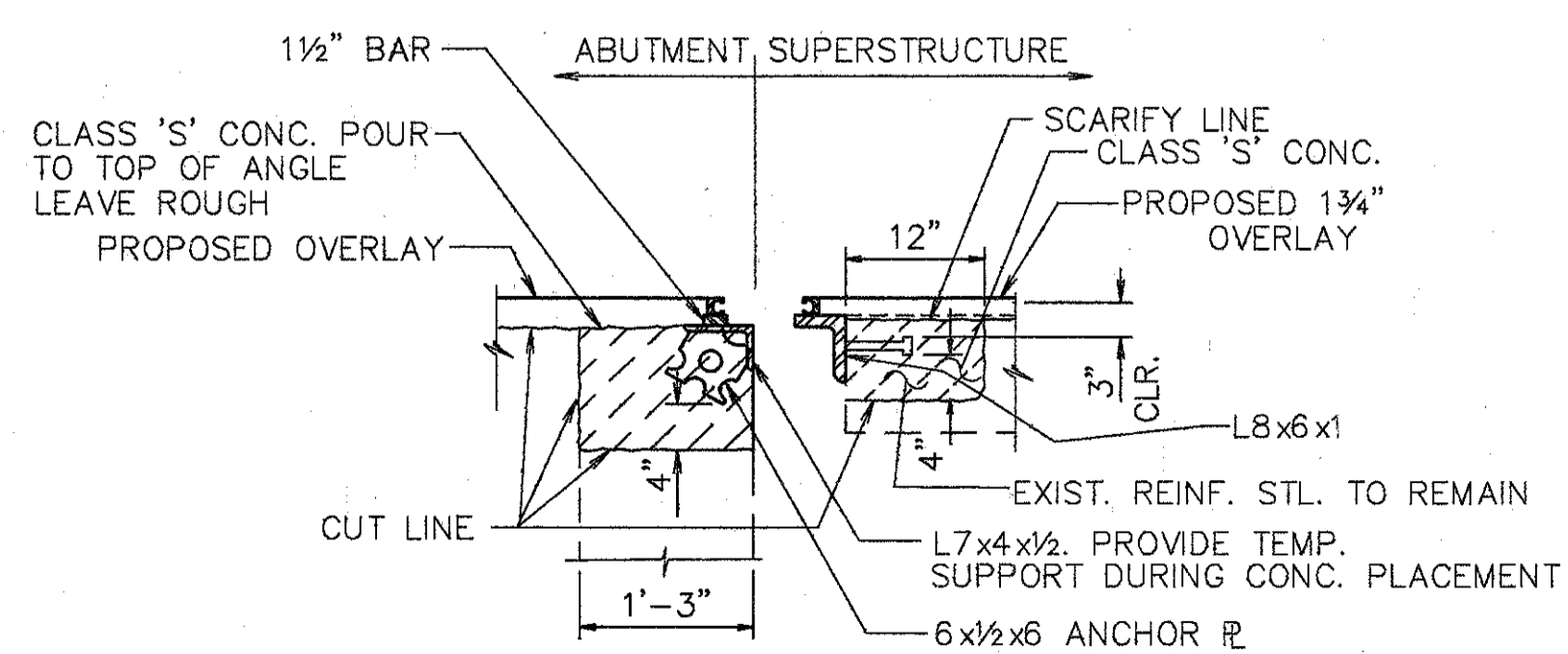


**SECTION K-K**

NOTE: IF PORTION OF DECK OR ABUTMENT PARAPET IS TO BE REPLACED, THE 1/2" PLATES SHALL BE INSTALLED ALONG WITH THE NEW PARAPET.



**PART PLAN @ RIGHT REAR**



**SECTION X-X**

- NOTE:
- FOR DETAILS NOT SHOWN SEE STD. DWG. SD-1-69.
  - SEE SECTION J-J FOR RETAINER SPACING AND WELDING

**WOOLPERT CONSULTANTS**  
 409 E. MONUMENT AVENUE  
 DAYTON, OHIO 45402-1226  
 (513) 461-5660

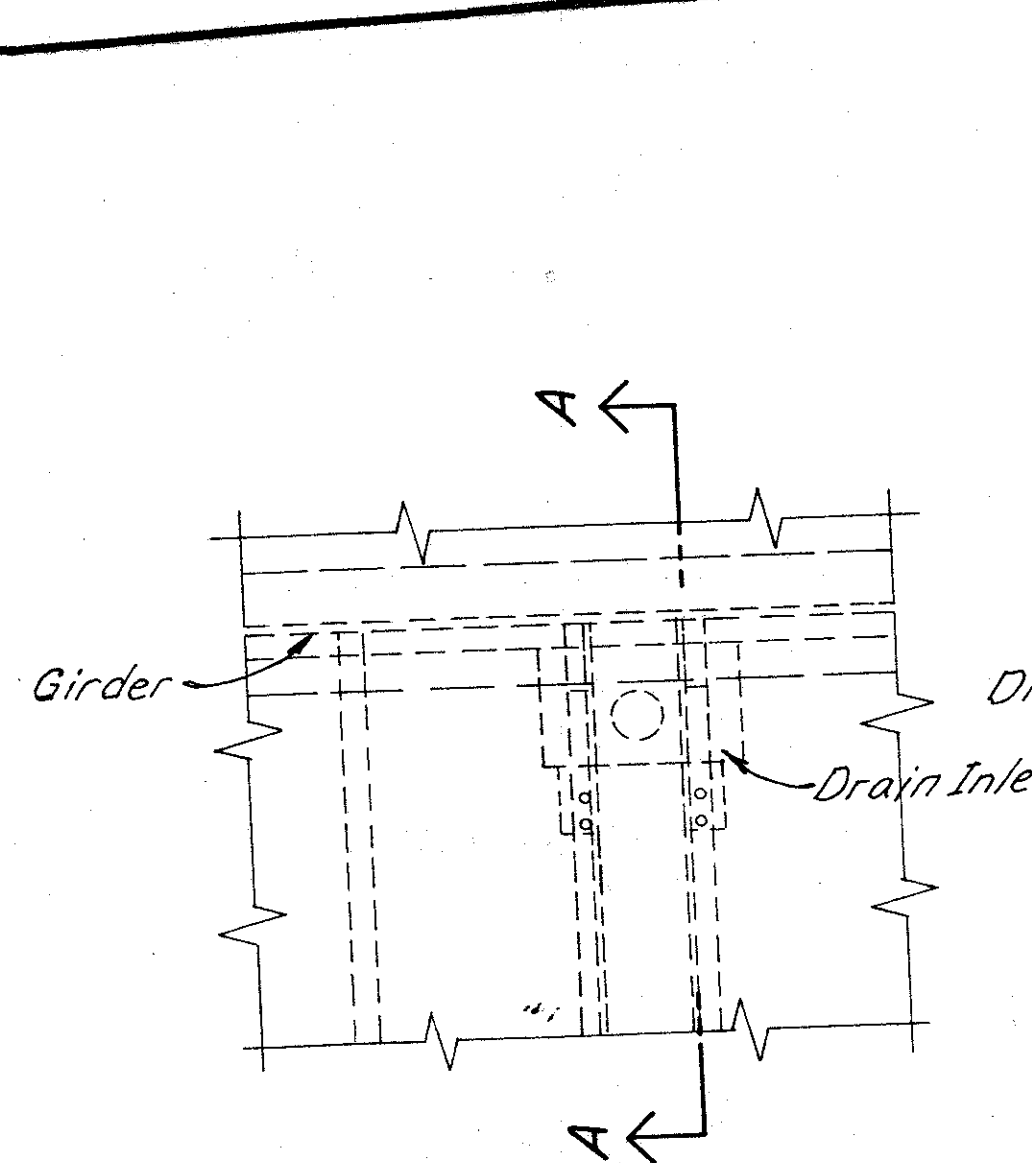
**EXPANSION JOINT PART PLANS**  
 BRIDGE NO. HAM-42-0235 R (HAM-71-0229 L)  
 NORTHBOUND READING ROAD OVER SOUTHBOUND (I-71)  
 HAMILTON COUNTY

DESIGNED	DRAWN	TRACED	CHECKED	REVIEWED	DATE	REVISED
L.A.T.M.	D.E.E.		M.A.A.	D.E.M11/11/94		

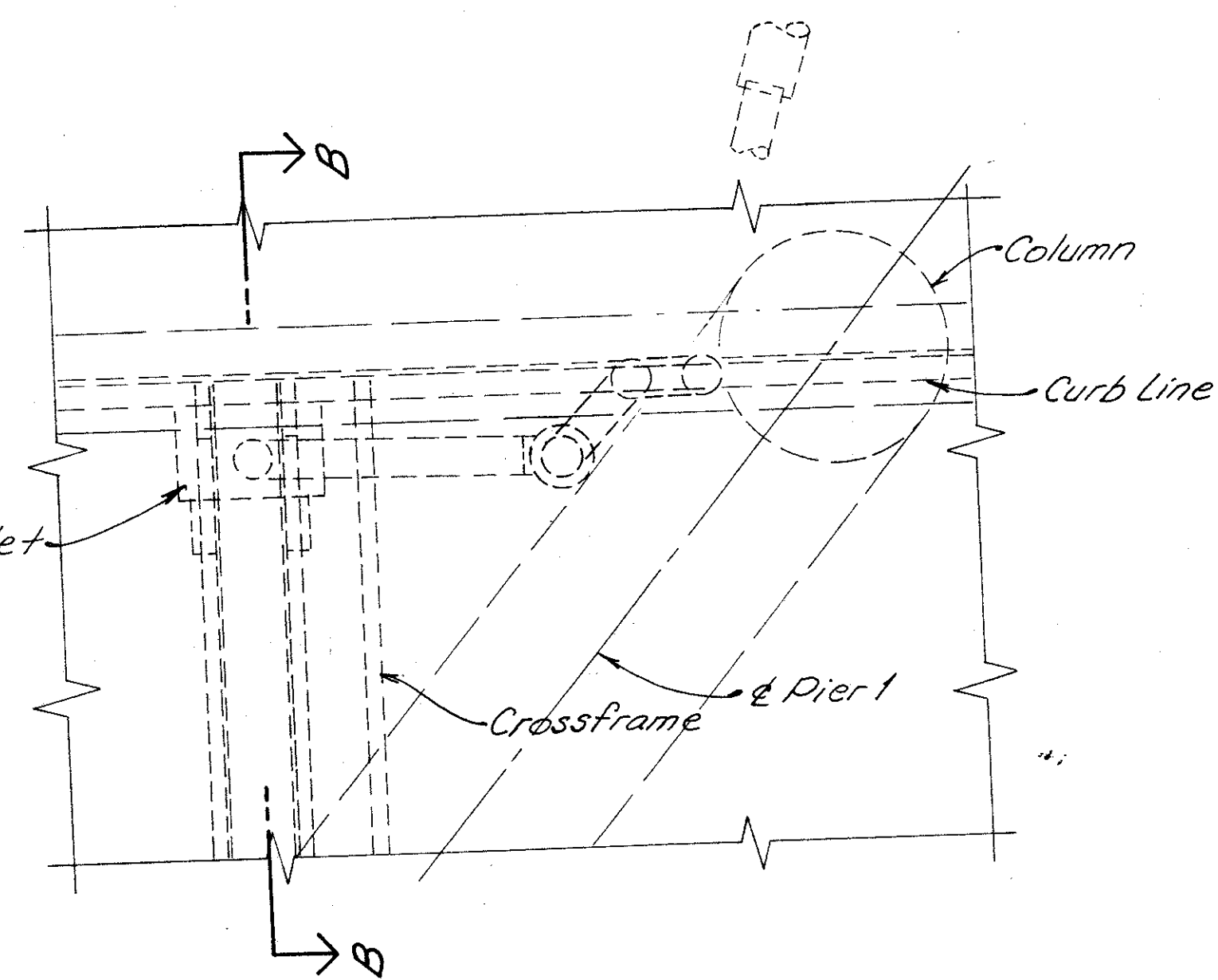
L.A.T.M. MAY 15, 1991 @ 4:55 PM  
 G:\STN\10596-CO\SHAW\20555103.Lot Revision By: RACH MAY 17, 1994 @ 4:45 PM



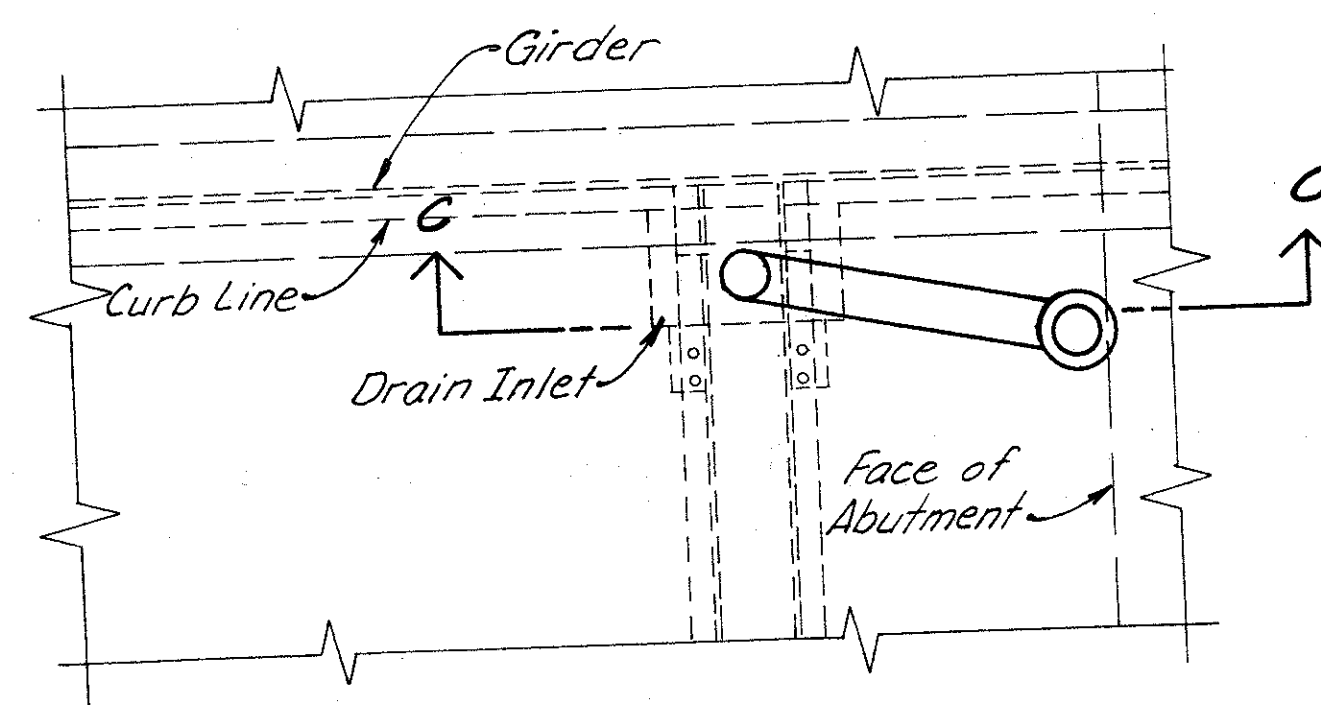




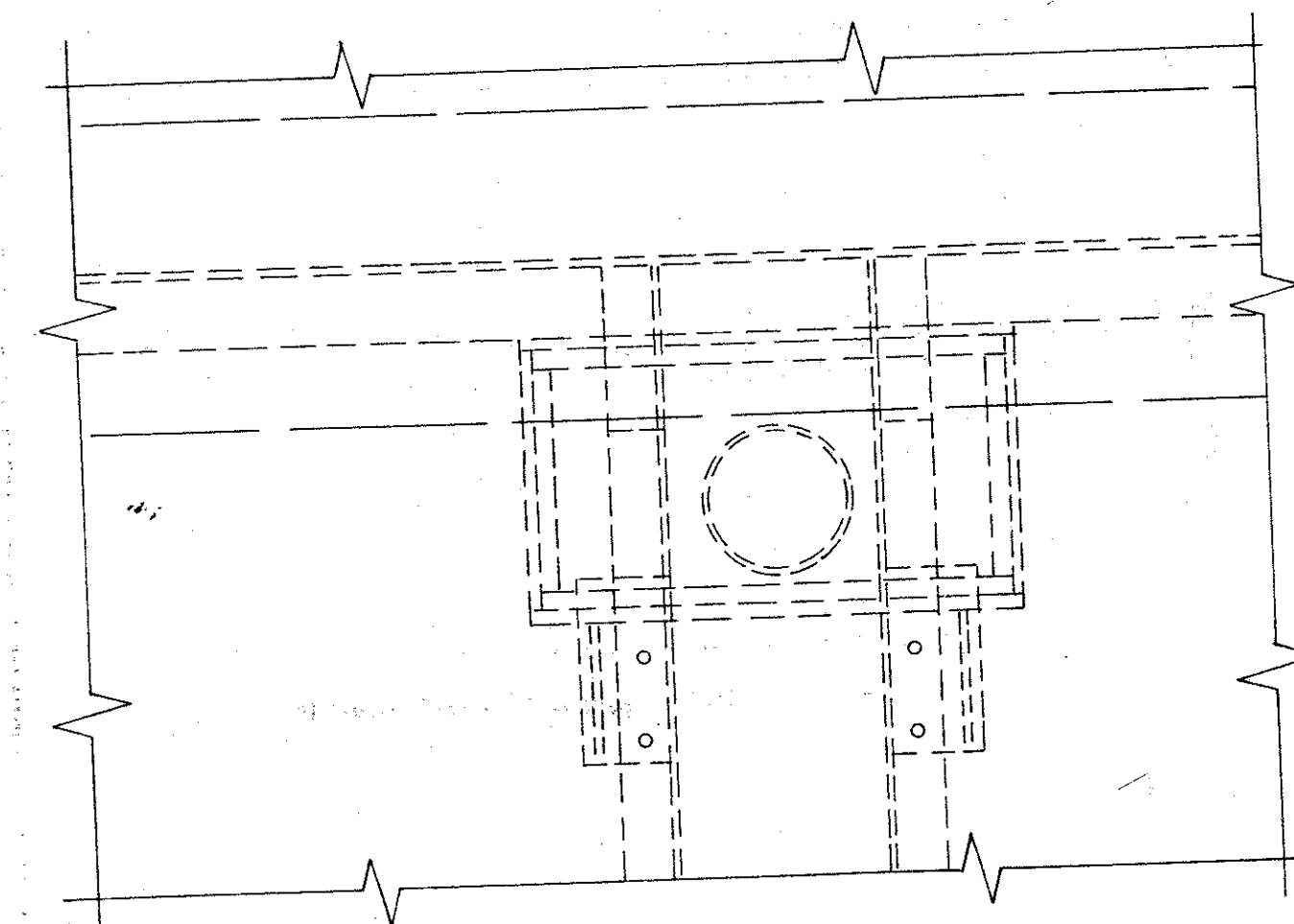
PLAN WEST ABUTMENT



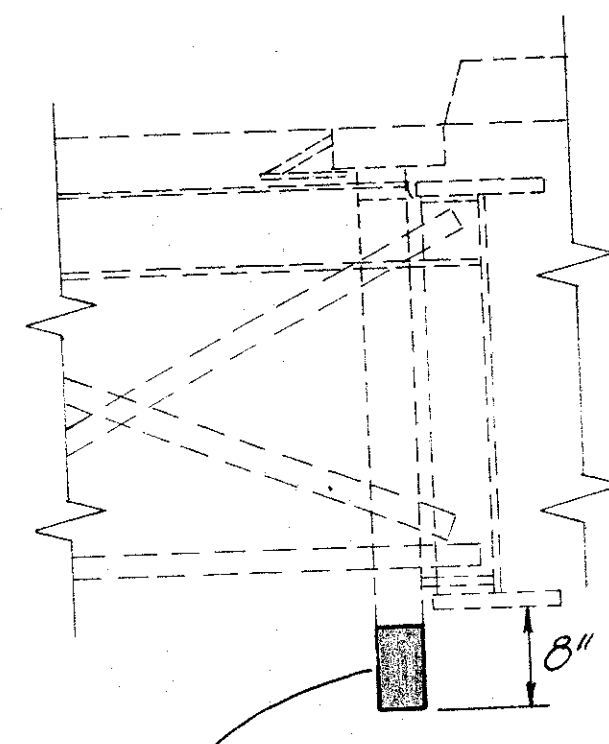
PLAN PIER 1  
-NO WORK REQUIRED-



PLAN NORTH ABUTMENT

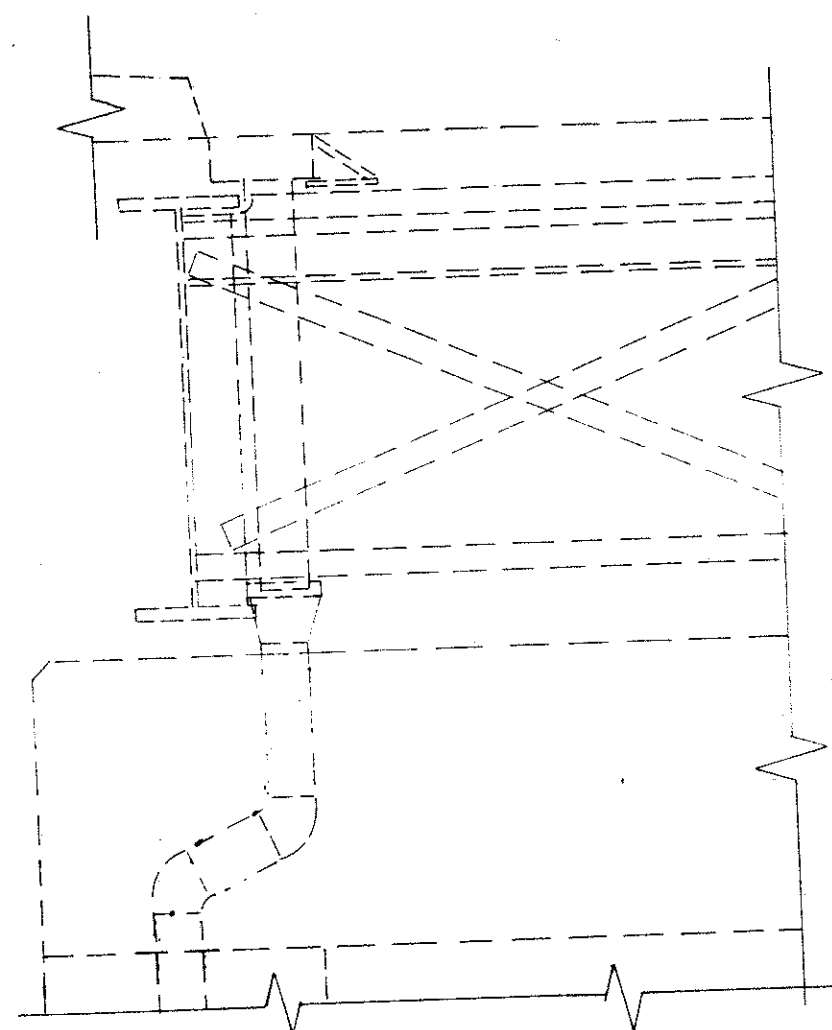


TYPICAL DRAIN INLET SUPPORT DETAIL

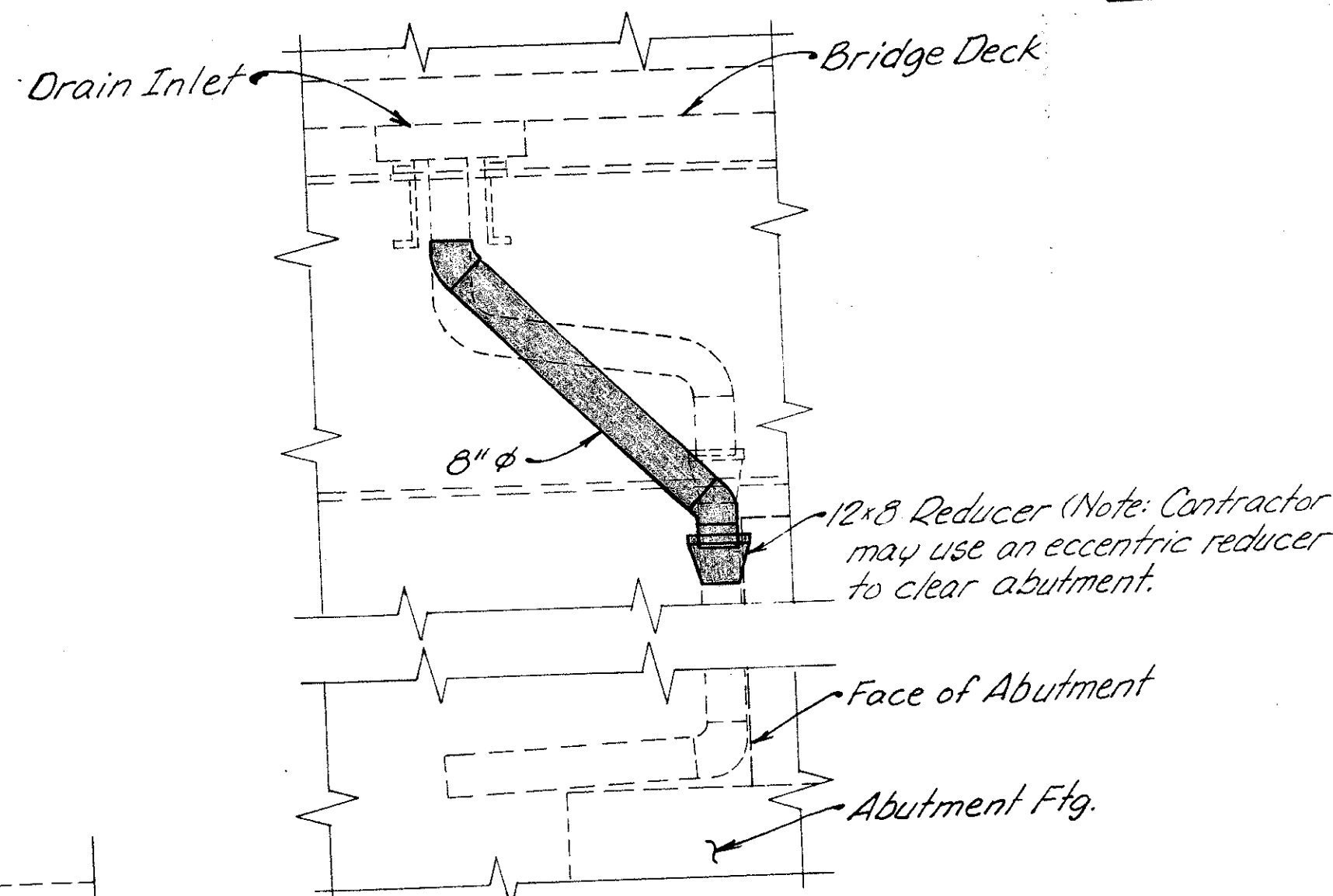


Extend Scupper, paid for as Item 510, for details see Sht. (273/401)

SECTION A-A

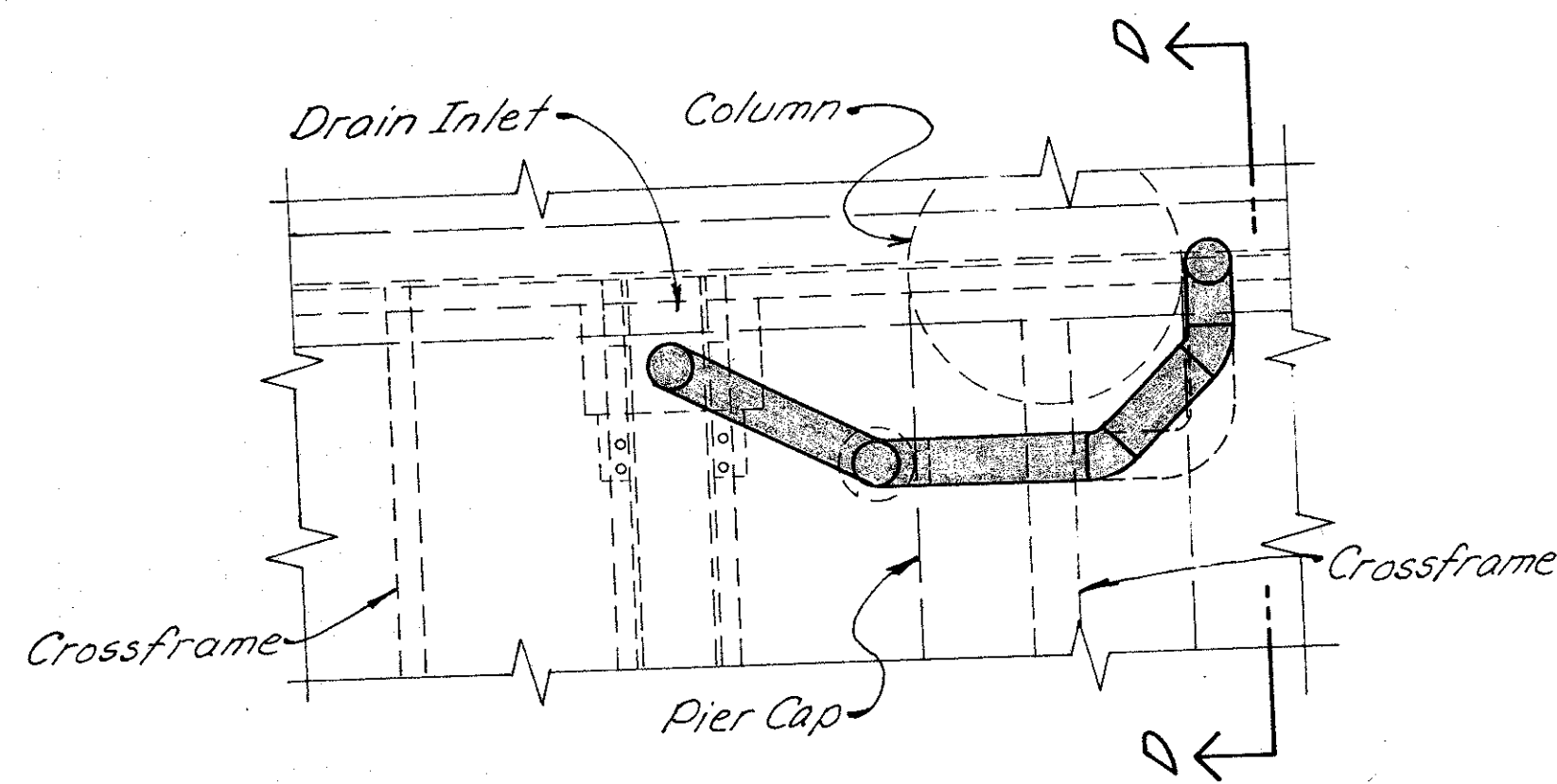


SECTION B-B

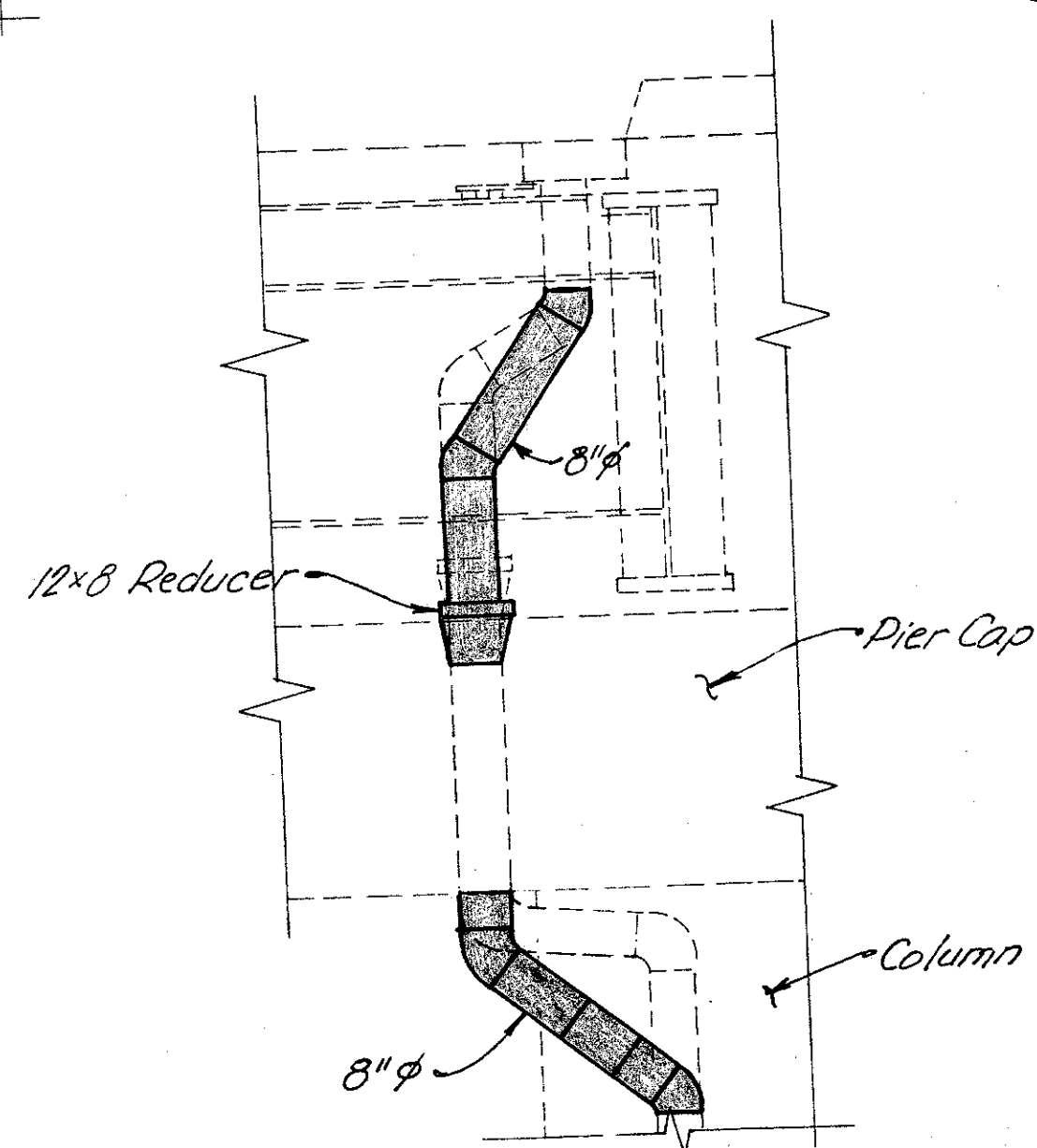


SECTION C-C

1. For drainage piping requirements see General Notes on sht. (273/401)
2. Approximate No. of Linear Feet of proposed 8"  $\phi$  pipe (including specials) = 25'

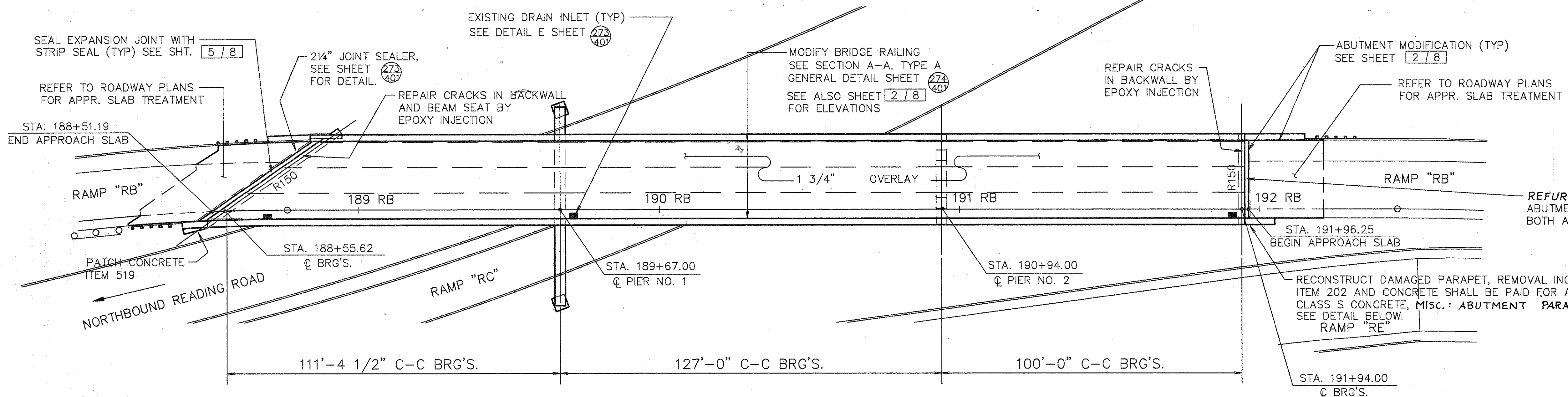


PLAN PIER 3

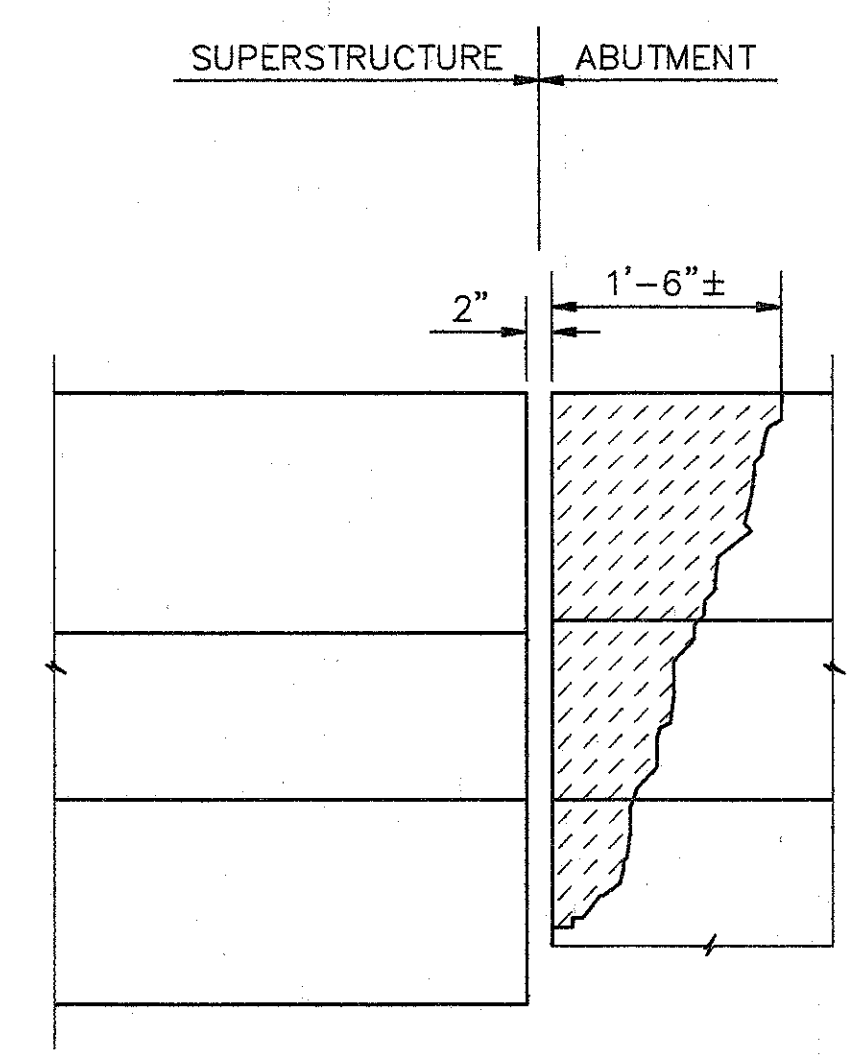
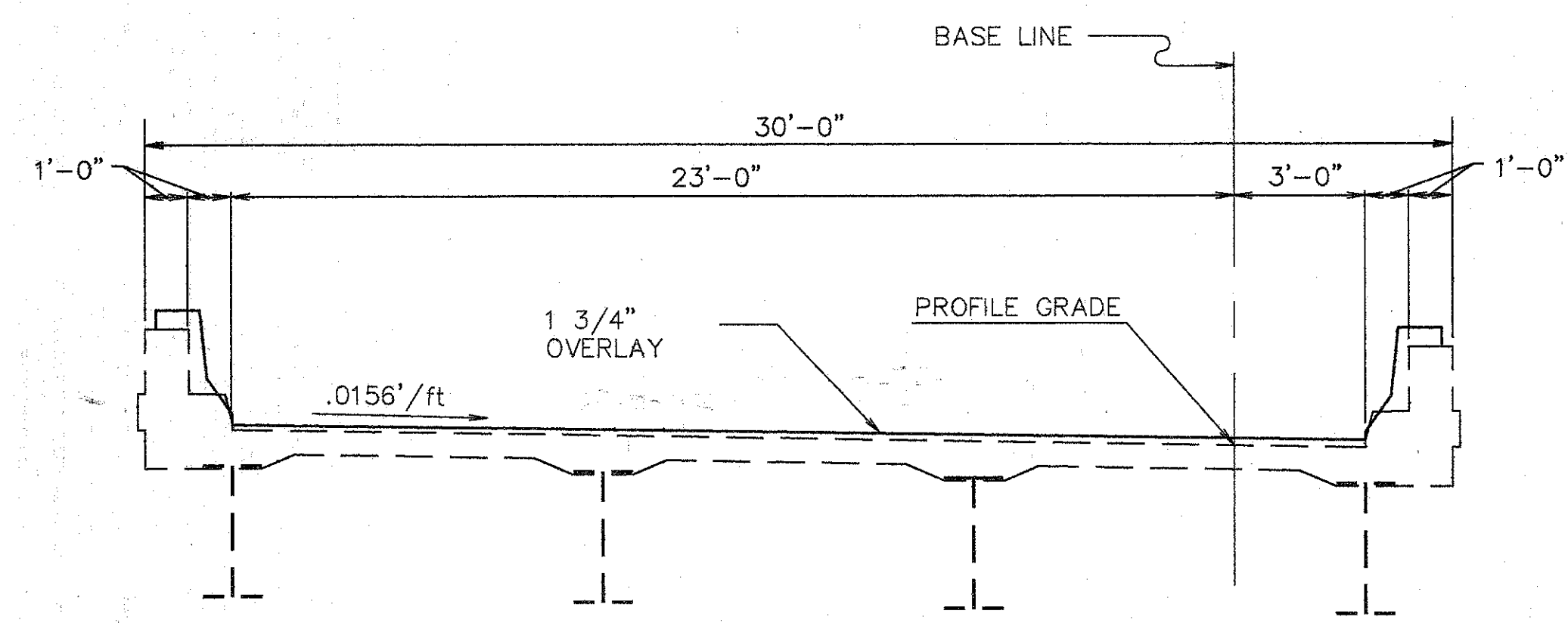


SECTION D-D

<b>WOOLPERT CONSULTANTS</b> 409 East Monument Avenue Dayton, Ohio 45402-1226		7/7
<b>DRAINAGE DETAILS</b>		
BRIDGE NO. HAM-42-0235 R OVER I-71		
HAMILTON COUNTY		
DESIGNED L.A.T.M.	DRAWN L.A.P.	TRACED D.E.M.
CHECKED P.W.G.	REVIEWED 11/11/94	DATE REVIS



- NOTE:**
- SEAL PARAPETS, BACKWALLS, AND PIERS. SEAL PIERS COMPLETELY EXCEPT TOP OF COLUMNS & TOP OF PIER CAP.
  - SEE JUNCTION BOX EXTENSION DETAIL SHT. 273/407 FOR BARRIER RETROFIT AT JUNCTION BOXES. REFER TO LIGHTING DETAILS FOR TYPE & LOCATION.



ROCKER OR BOLSTER SIZE	JACK CAPACITY REQ'D. (MIN)
R150	125 TON

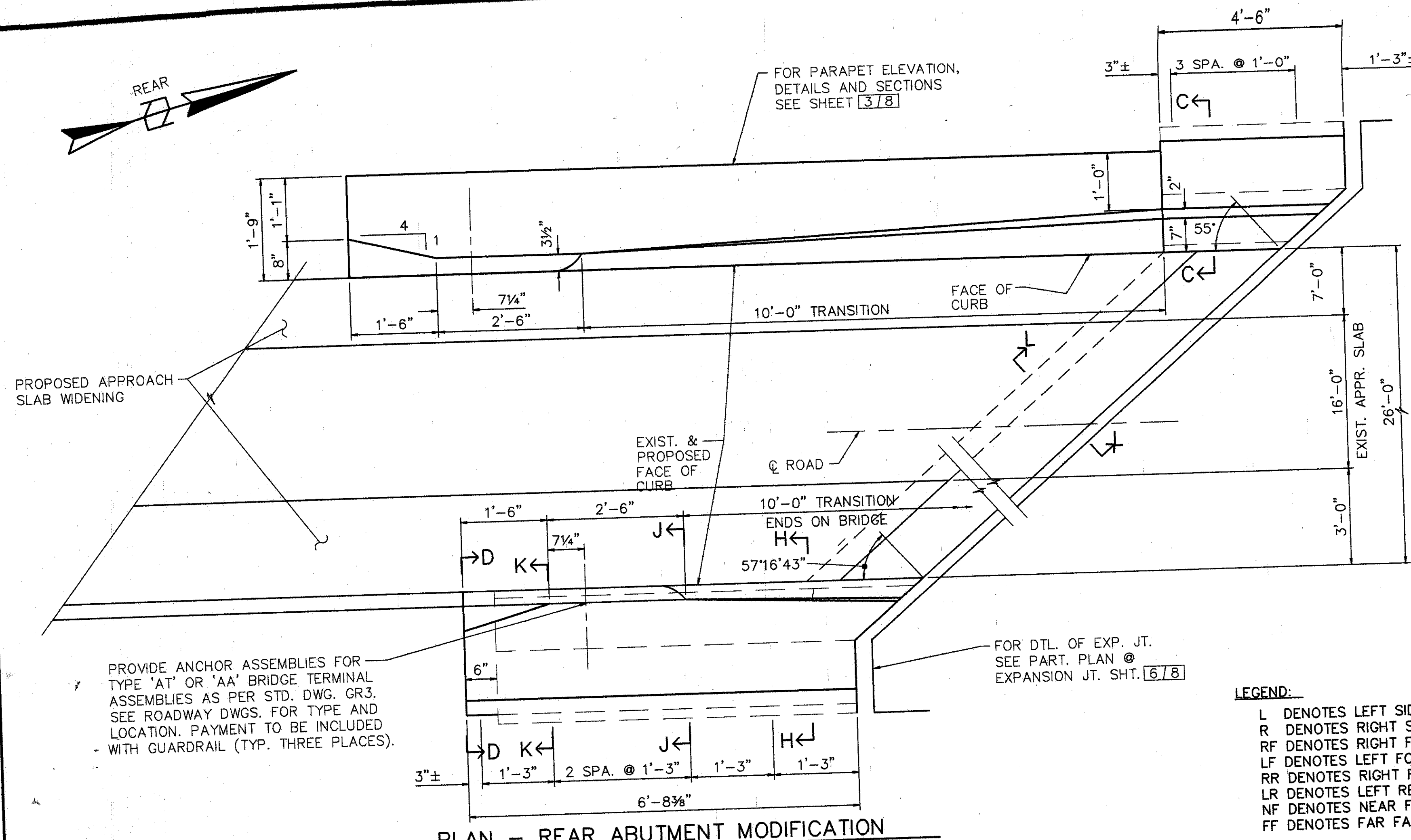
**EXISTING STRUCTURE**  
 TYPE: CONTINUOUS STEEL PLATE GIRDER WITH REINFORCED CONCRETE DECK & SUBSTRUCTURE  
 SPANS: 111'-4 1/2", 127'-0", 100'-0" C/C BRG'S  
 ROADWAY: 26'-0" F/F CURBS W/1'-0" CURBS (28'-0" F/F PARAPETS)  
 SKEW: 0° (PIERS 1 & 2 & N. ABUT.) 55° S. ABUT. (MEASURED FROM FORWARD TANGENT)  
 LOAD FREQUENCY: CF=2000 (57) ADEQUATE FOR AASHO ALTERNATE LOADING  
 WEARING SURFACE: 1" MONOLITHIC CONCRETE  
 APPROACH SLABS: AS-1-54 (25'-0" LONG)  
 ALIGNMENT: VARIES  
 SUPERELEVATION: VARIES

**WOOLPERT CONSULTANTS**  
 409 E. MONUMENT AVENUE  
 DAYTON, OHIO 45402-1226  
 (513) 481-5660

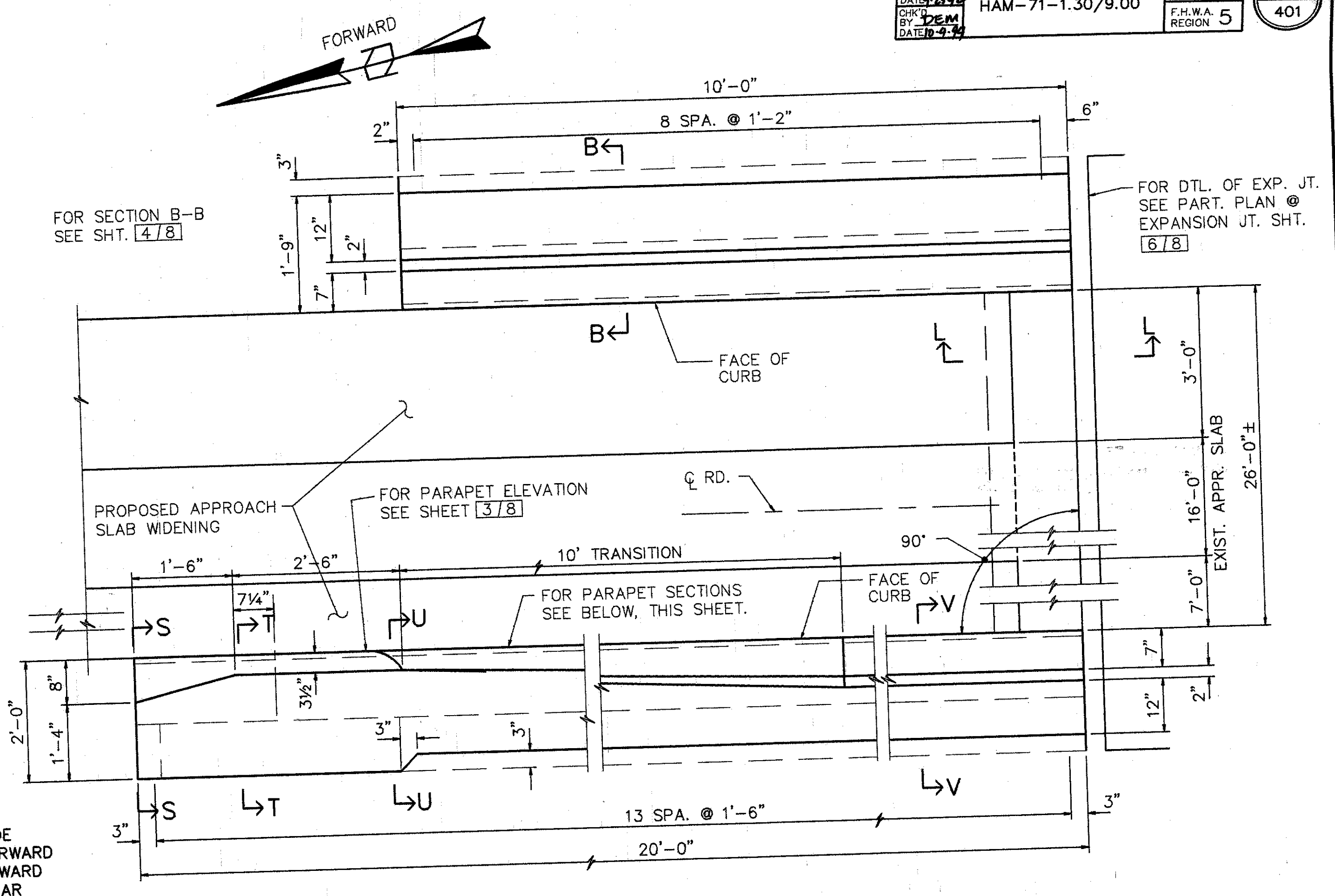
<b>GENERAL PLAN</b>					
BRIDGE NO. HAM-42-0257R OVER N.B. READING ROAD					
HAMILTON COUNTY					
DESIGNED	DRAWN	TRACED	CHECKED	REVIEWED	DATE
L.A.T.M.	D.E.E.		M.A.A.	D.E.M11/11/94	

Lett Plot: MAY 05, 1991 @ 4:23 PM  
 C:\VP1\659E-03\SHAND\25-0257R Lett Elevation By: RACH JUL 13, 1994 @ 8:58 AM





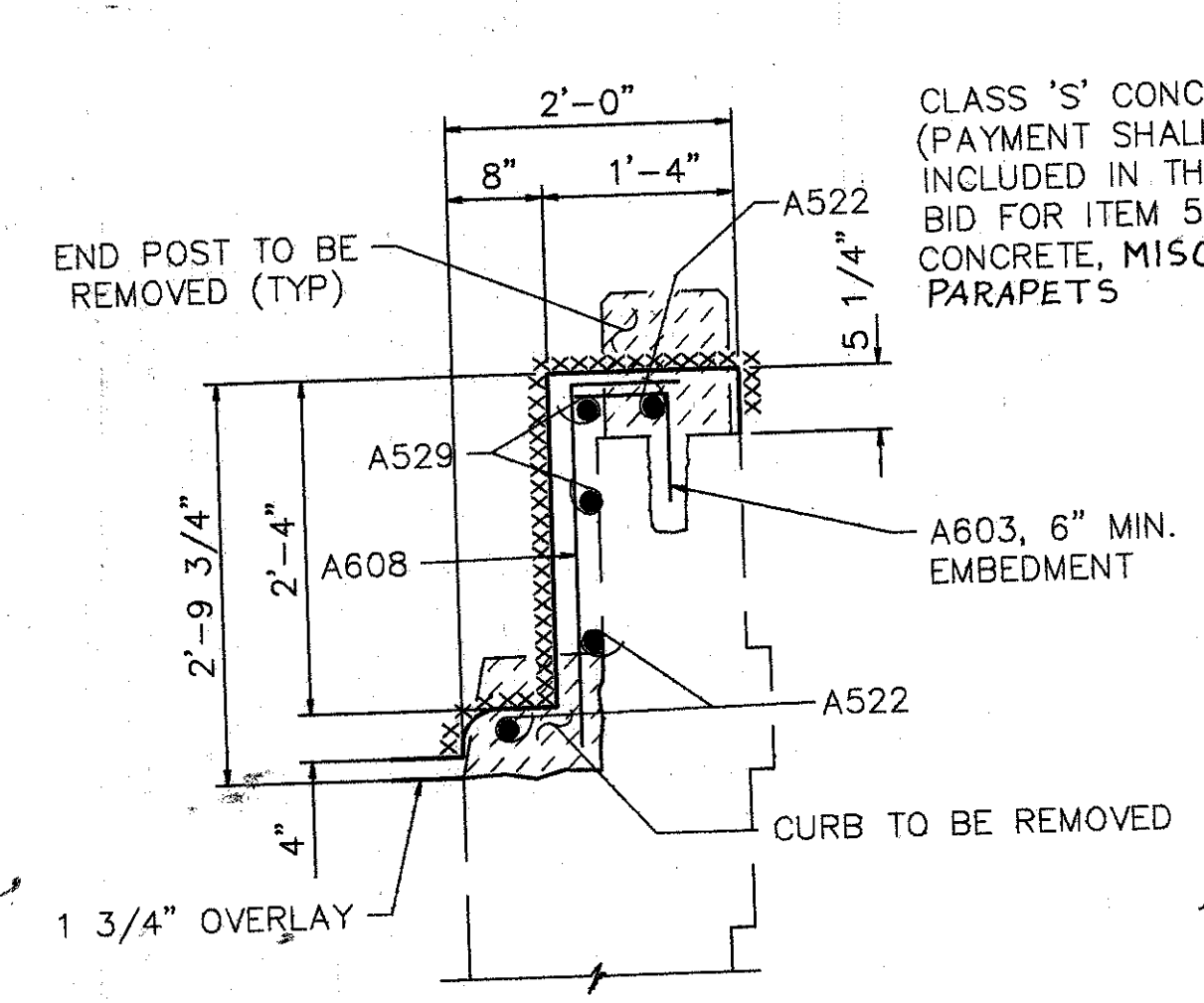
PLAN - REAR ABUTMENT MODIFICATION



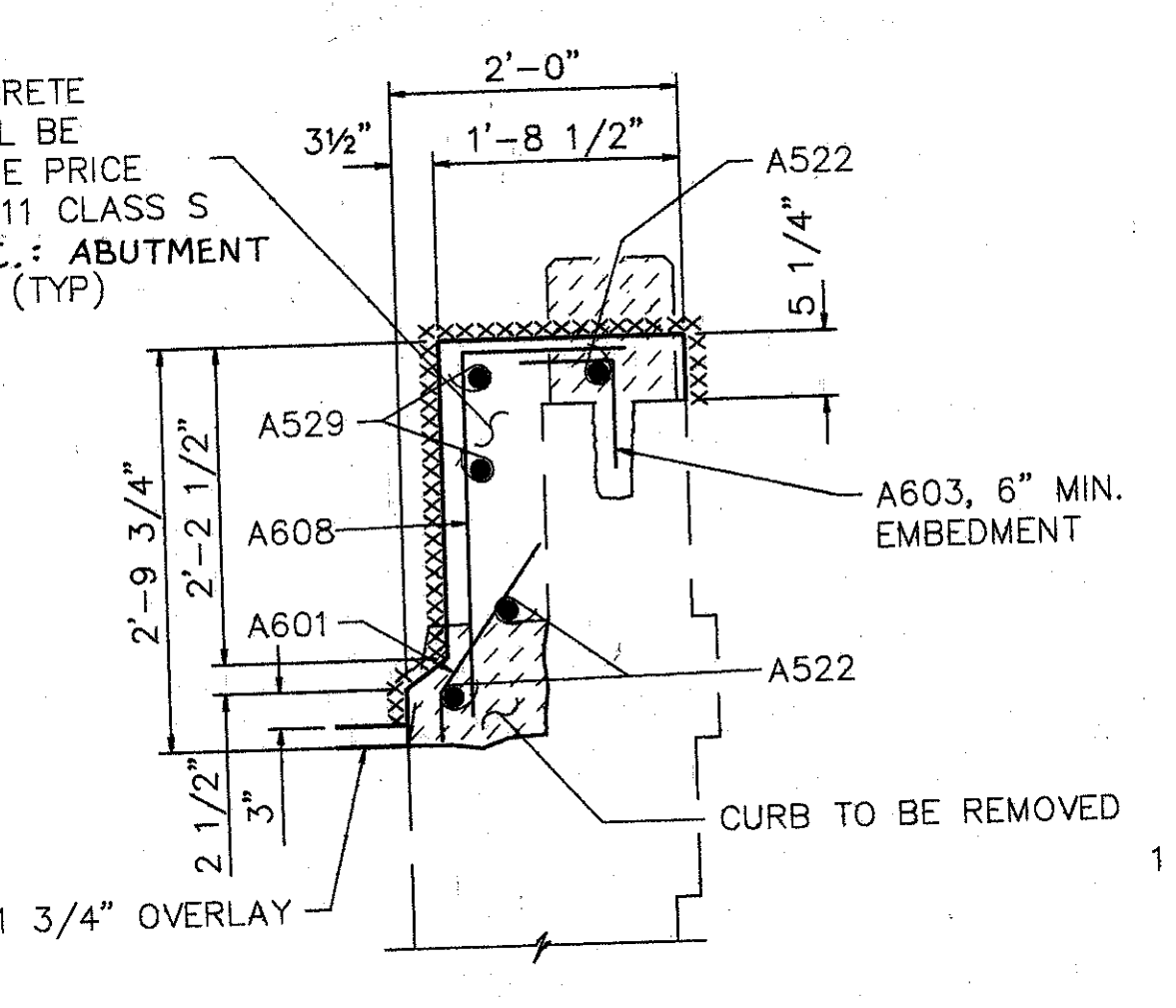
PLAN - FORWARD ABUTMENT MODIFICATION

LEGEND:  
 L DENOTES LEFT SIDE  
 R DENOTES RIGHT SIDE  
 RF DENOTES RIGHT FORWARD  
 LF DENOTES LEFT FORWARD  
 RR DENOTES RIGHT REAR  
 LR DENOTES LEFT REAR  
 NF DENOTES NEAR FACE  
 FF DENOTES FAR FACE

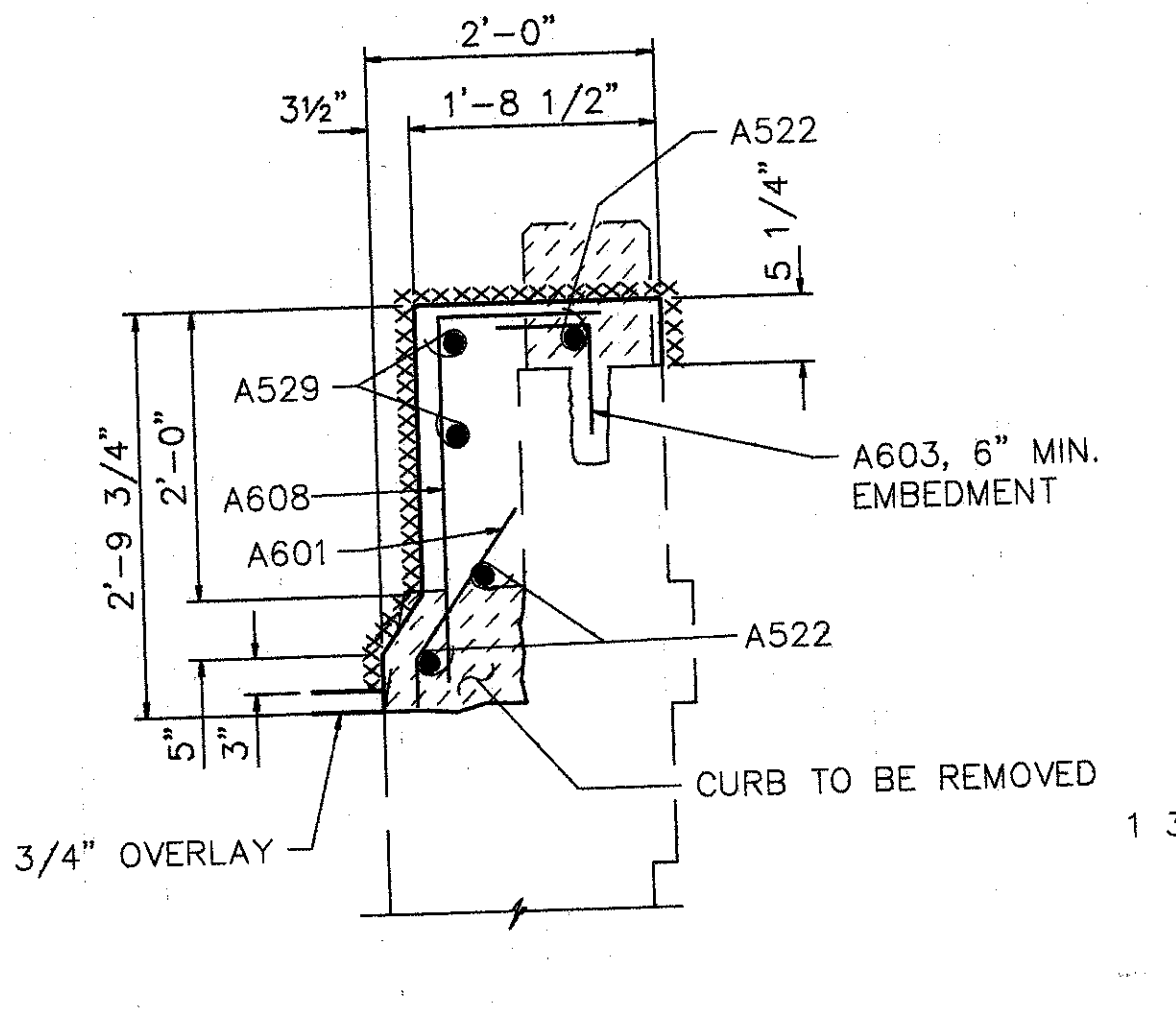
- NOTES:
1. PREFORMED EXPANSION JOINT FILLER AND SEALER AT CORNERS AND SIDES OF THE APPR. SLAB SHALL BE INCLUDED IN THE PRICE BID PER SQ. YD. FOR THE APPROACH SLAB.
  2. TYPE A WATERPROOFING AT THE BRIDGE LIMIT END OF THE WIDENED APPROACH SLAB (AS PER STD. DWG. AS-1-81) SHALL BE INCLUDED IN THE PRICE BID FOR ITEM 611 APPROACH SLAB.
  3. LAP ALL #5 BARS IN PARAPET 2'-0".
- \*\*\*\*\* SURFACES TO BE SEALED UNDER ITEM SPECIAL- SEALING OF CONCRETE SURFACES.



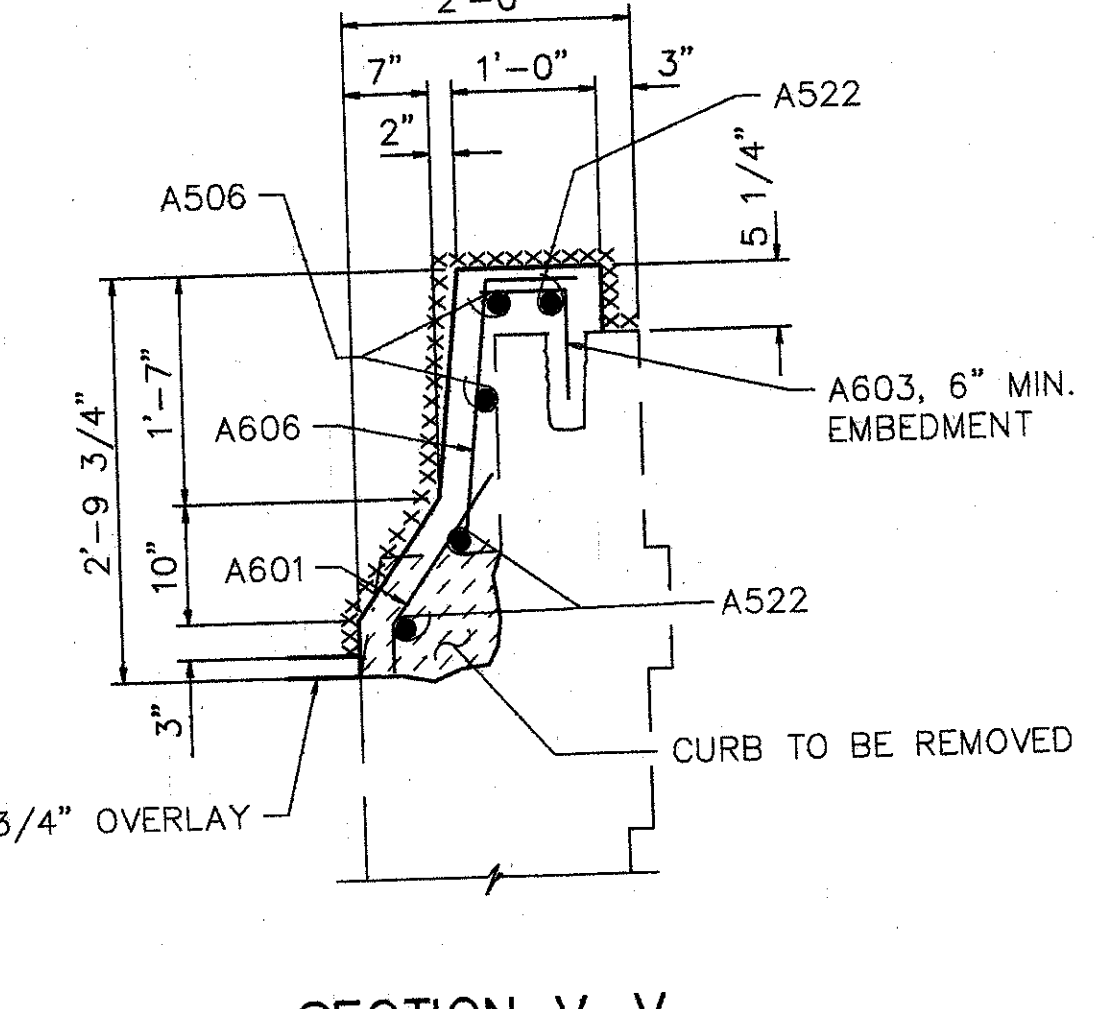
SECTION S-S



SECTION T-T



SECTION U-U



SECTION V-V

WOOLPERT CONSULTANTS  
 409 E. MONUMENT AVENUE  
 DAYTON, OHIO 45402-1226  
 (513) 461-5660

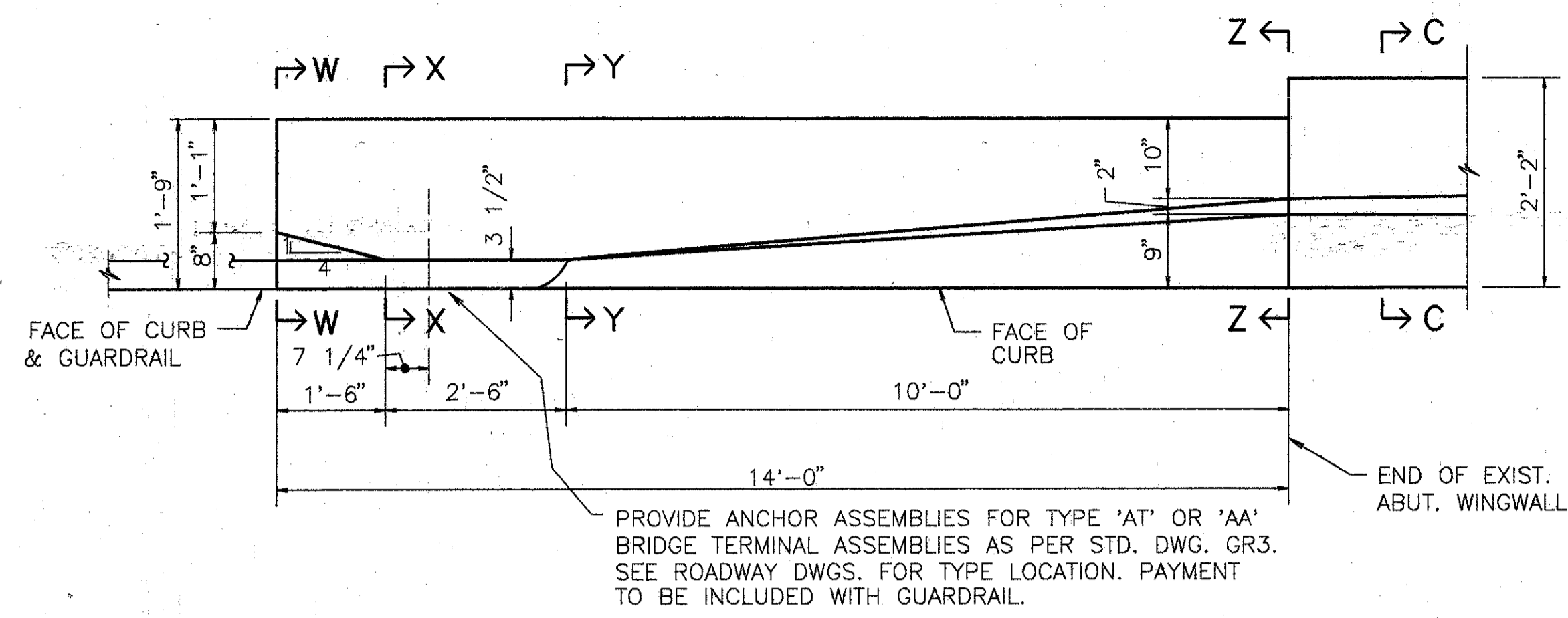
ABUTMENT PLAN & PARAPET ELEVATIONS

BRIDGE NO. HAM-42-0257R  
 OVER N.B. READING ROAD

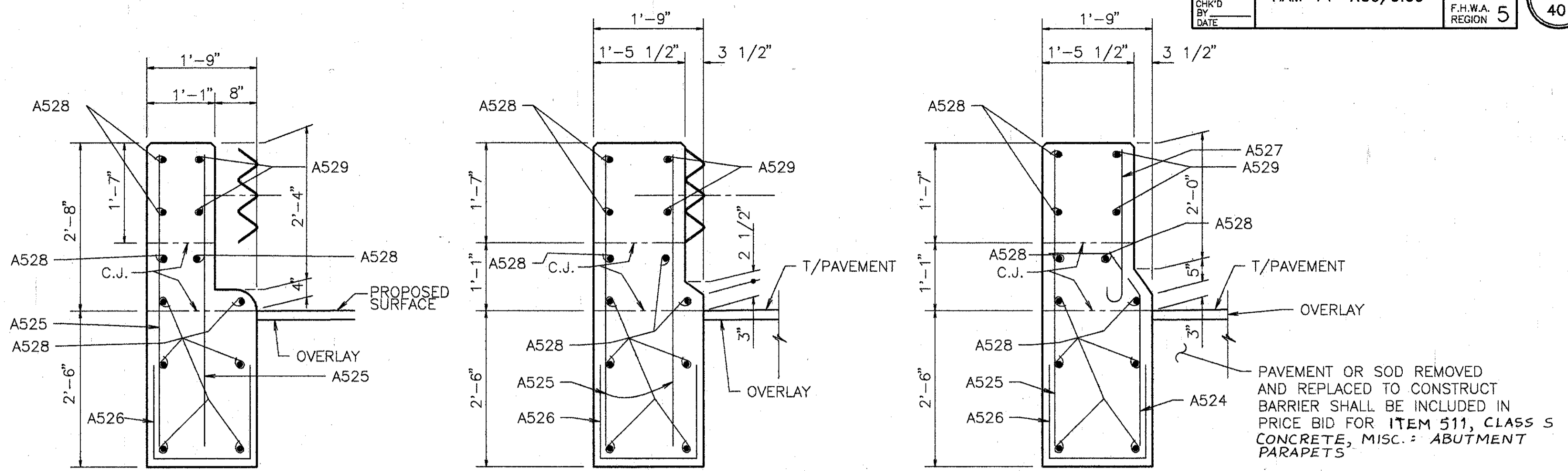
HAMILTON COUNTY

DESIGNED	DRAWN	TRACED	CHECKED	REVIEWED	DATE	REVISED
L.A.T.M.	D.E.E.		M.A.A.	D.E.M11/11/94		

Plot: MAY 15, 1994 @ 5:12 PM  
 C:\BTR\10898-03\SETUP\25257R2.Lot.Dwg.plt  
 JEL 15, 1994 @ 4:54 PM

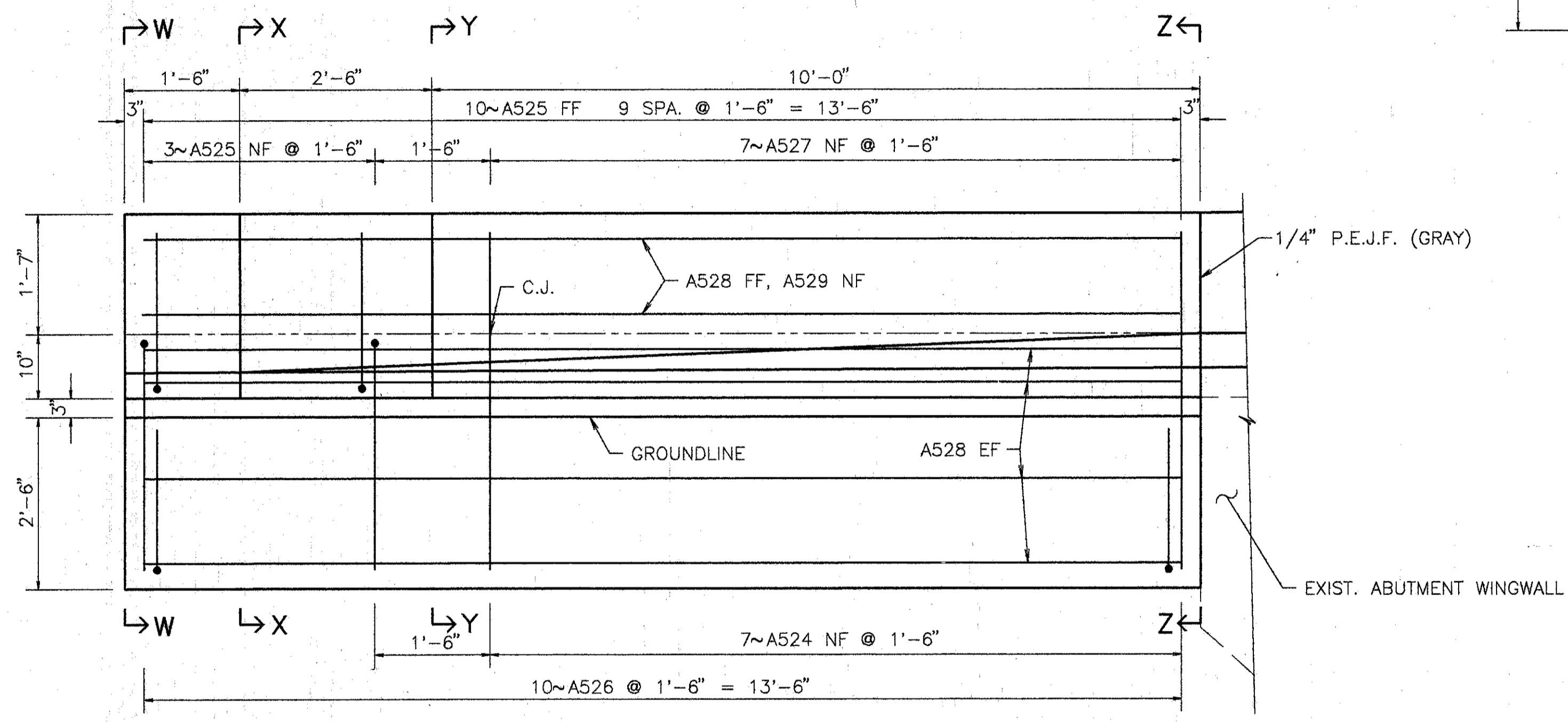


**PLAN - ABUTMENT MODIFICATION-LEFT REAR**

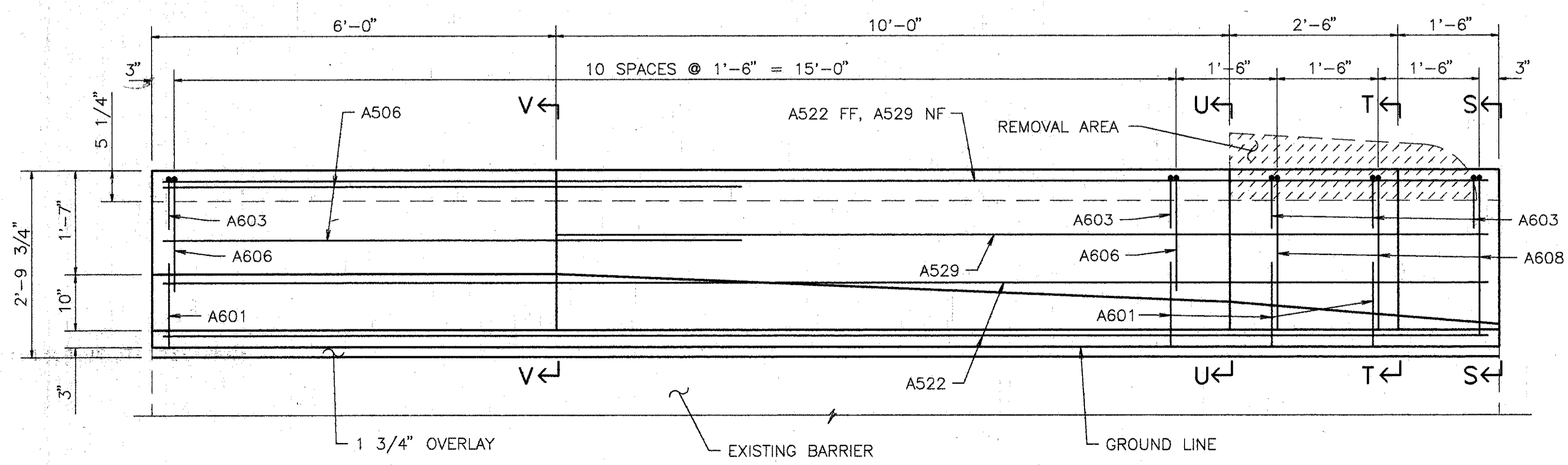


PAVEMENT OR SOD REMOVED AND REPLACED TO CONSTRUCT BARRIER SHALL BE INCLUDED IN PRICE BID FOR ITEM 511, CLASS S CONCRETE, MISC.: ABUTMENT PARAPETS

† BARS SHALL REMAIN. CONTRACTOR SHALL EXERCISE CAUTION TO ENSURE THAT THESE BARS ARE NOT DAMAGED DURING THE CONCRETE REMOVAL OPERATION. ANY BARS DAMAGED AS A RESULT OF THE CONTRACTOR'S OPERATION SHALL BE REPLACED OR REPAIRED BY THE CONTRACTOR AT HIS EXPENSE. METHOD OF REPAIR OR REPLACEMENT WILL BE AT THE DISCRETION OF THE DIRECTOR.



**ELEVATION - ABUTMENT MODIFICATION-LEFT REAR**



**ELEVATION - ABUTMENT MODIFICATION-LEFT FORWARD**

FOR SECTIONS S-S, T-T, U-U & V-V SEE SHT. 2/8

**NOTES:**

THE PRICE BID PER CUBIC YARD FOR ITEM 511, CLASS S CONCRETE, MISC.: ABUTMENT PARAPETS SHALL INCLUDE CLASS S CONCRETE, BACKFILL, REPLACING PORTIONS OF THE END OF EXISTING PARAPETS, AND OTHER WORK INCIDENTAL THERETO.

EPOXY COATED REINFORCING STEEL SHALL BE INCLUDED IN ITEM 509, EPOXY COATED REINFORCING STEEL, GRADE 60'.

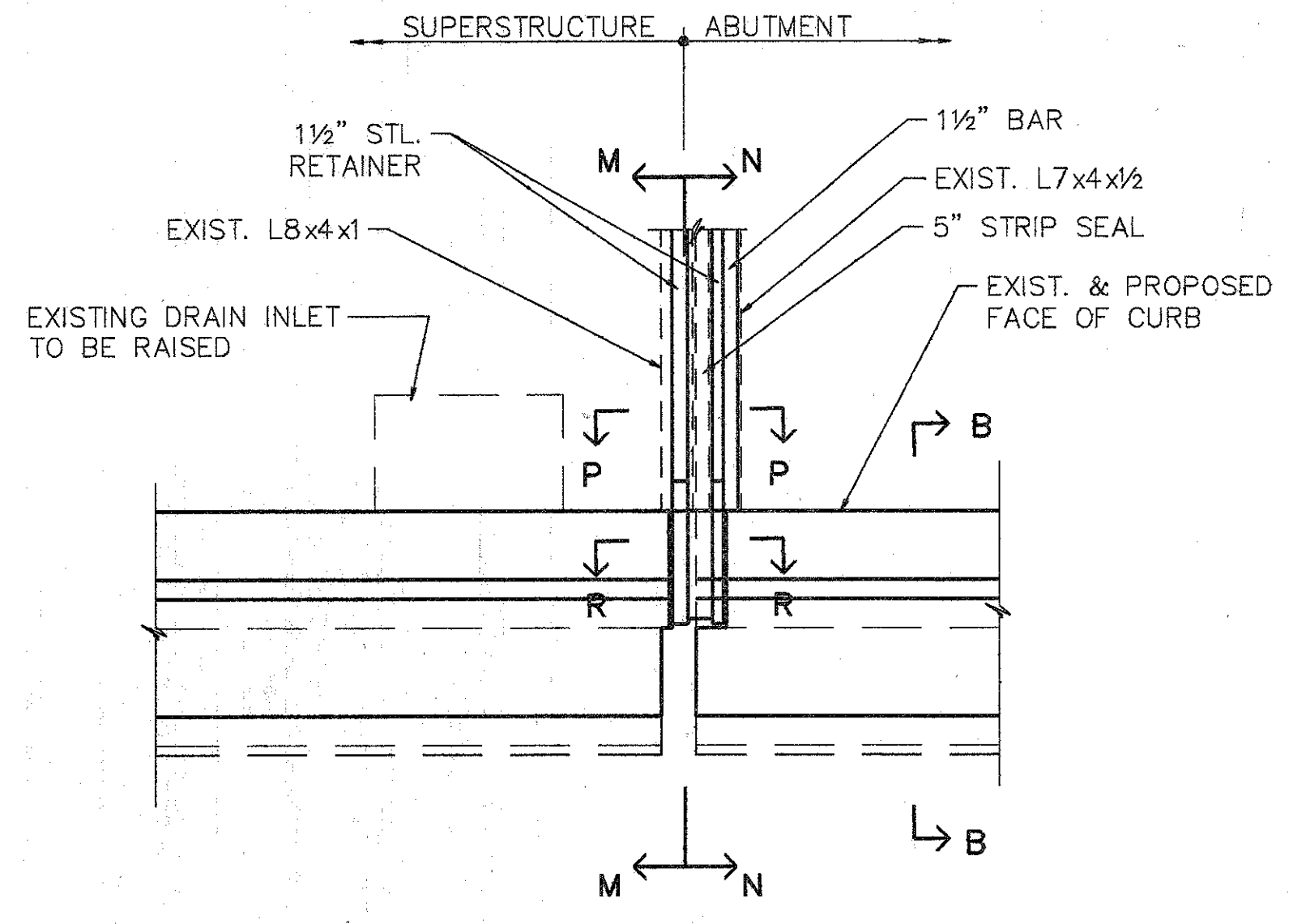
EXISTING PARAPET TO BE REMOVED AND EXCAVATION SHALL BE INCLUDED IN ITEM 202 - PORTIONS OF STRUCTURE REMOVED.

<b>WOOLPERT CONSULTANTS</b>		409 E. MONUMENT AVENUE DAYTON, OHIO 45402-1226 (513) 461-5660		3/8
<b>PARAPET SECTIONS</b>				
BRIDGE NO. HAM-42-0257R OVER INTERSTATE ROUTE 71				
HAMILTON COUNTY				
DESIGNED	DRAWN	TRACED	CHECKED	REVIEWED
L.A.T.M.	D.E.E.		M.A.A.	D.E.M.
				1/11/99

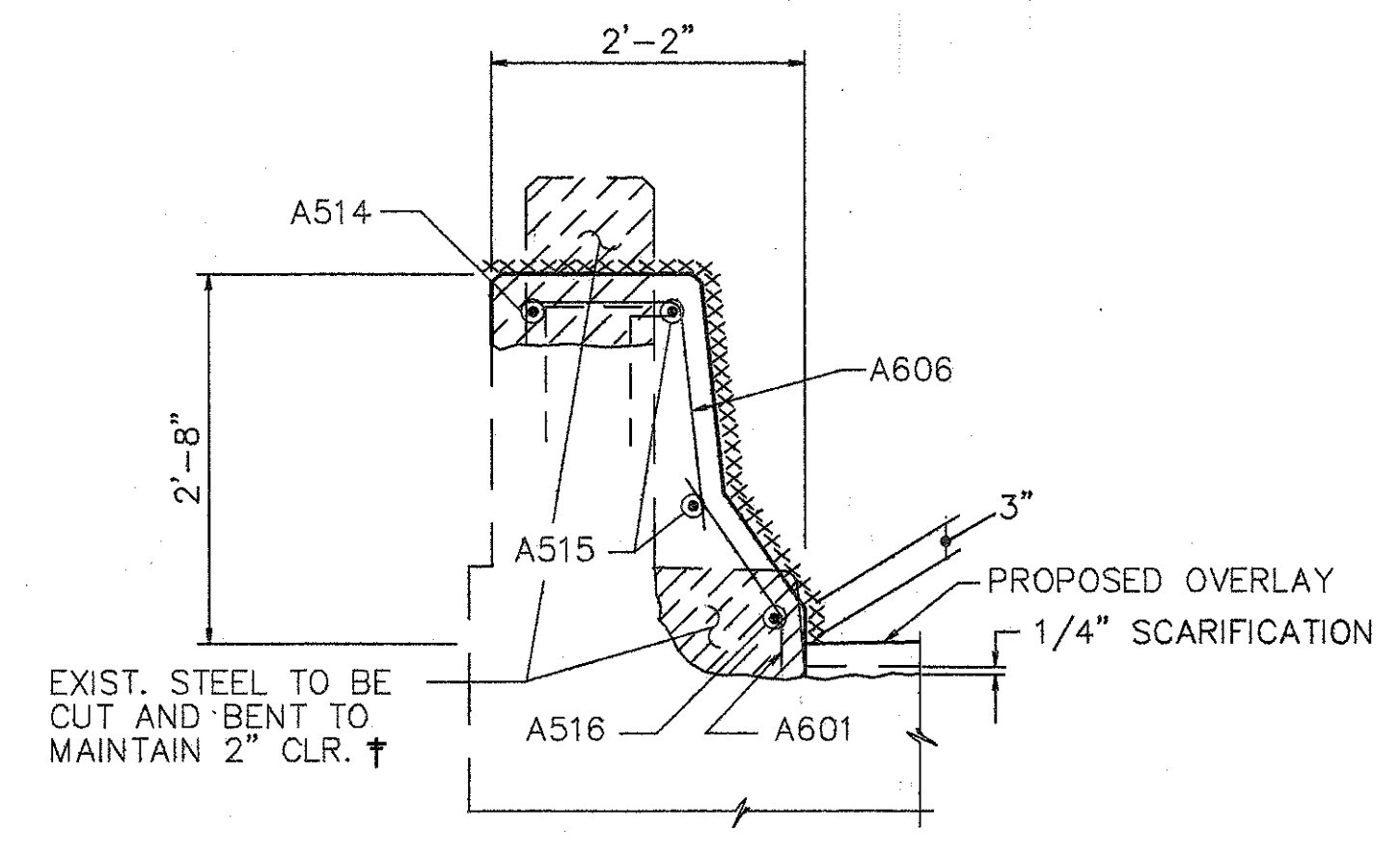
Last Mod. MAY 15, 1991 @ 7:20 PM  
 C:\STR1\6598-CV\ASHLAND\2227511R.Lst. Revision Dp: RACH JUL 15, 1994 @ 9:35 AM





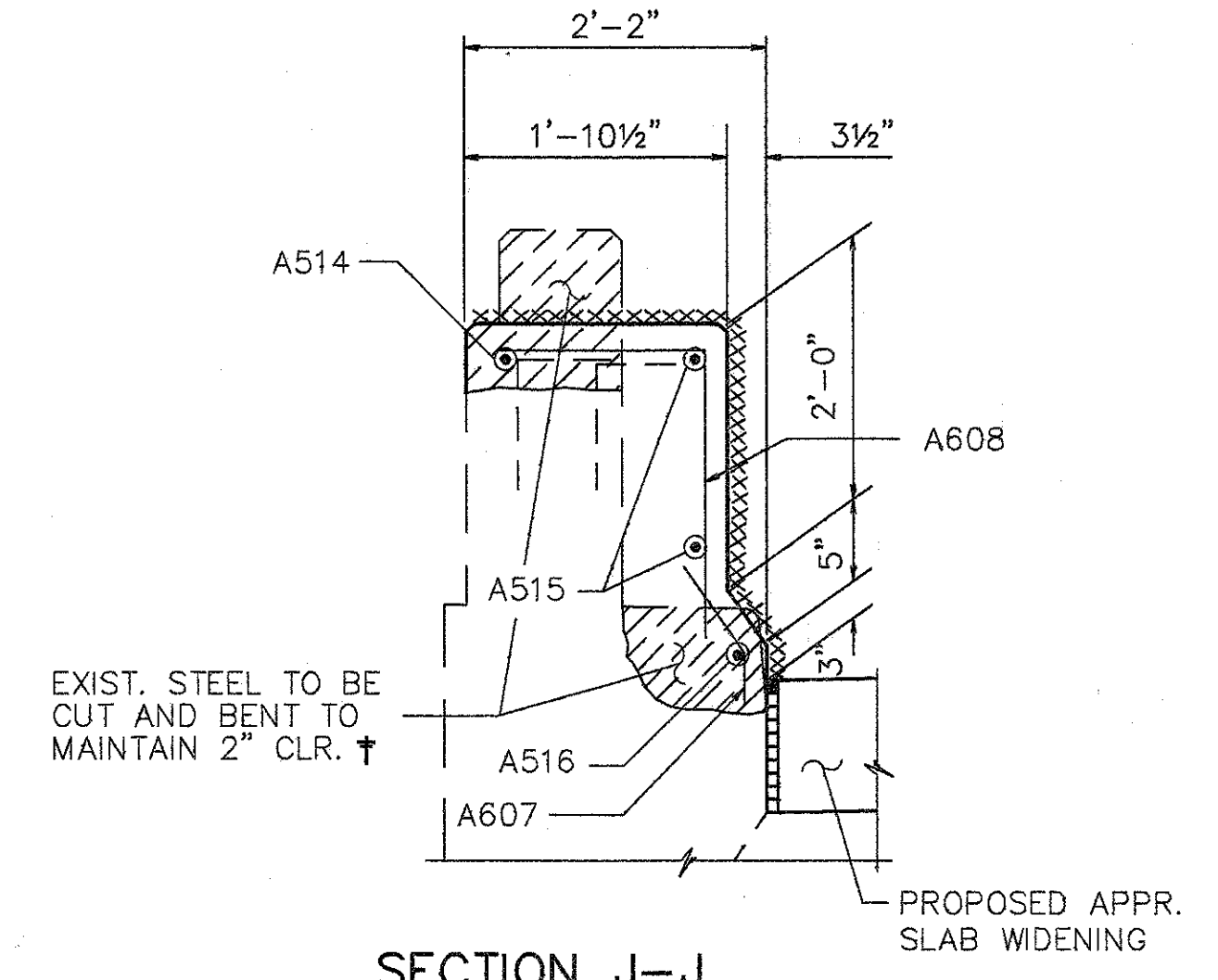


**EXP. JT. PART PLAN @ FORWARD ABUTMENT (RIGHT)**  
 RIGHT PARAPET SHOWN, LEFT PARAPET OPPOSITE HAND (NO DRAIN INLET)

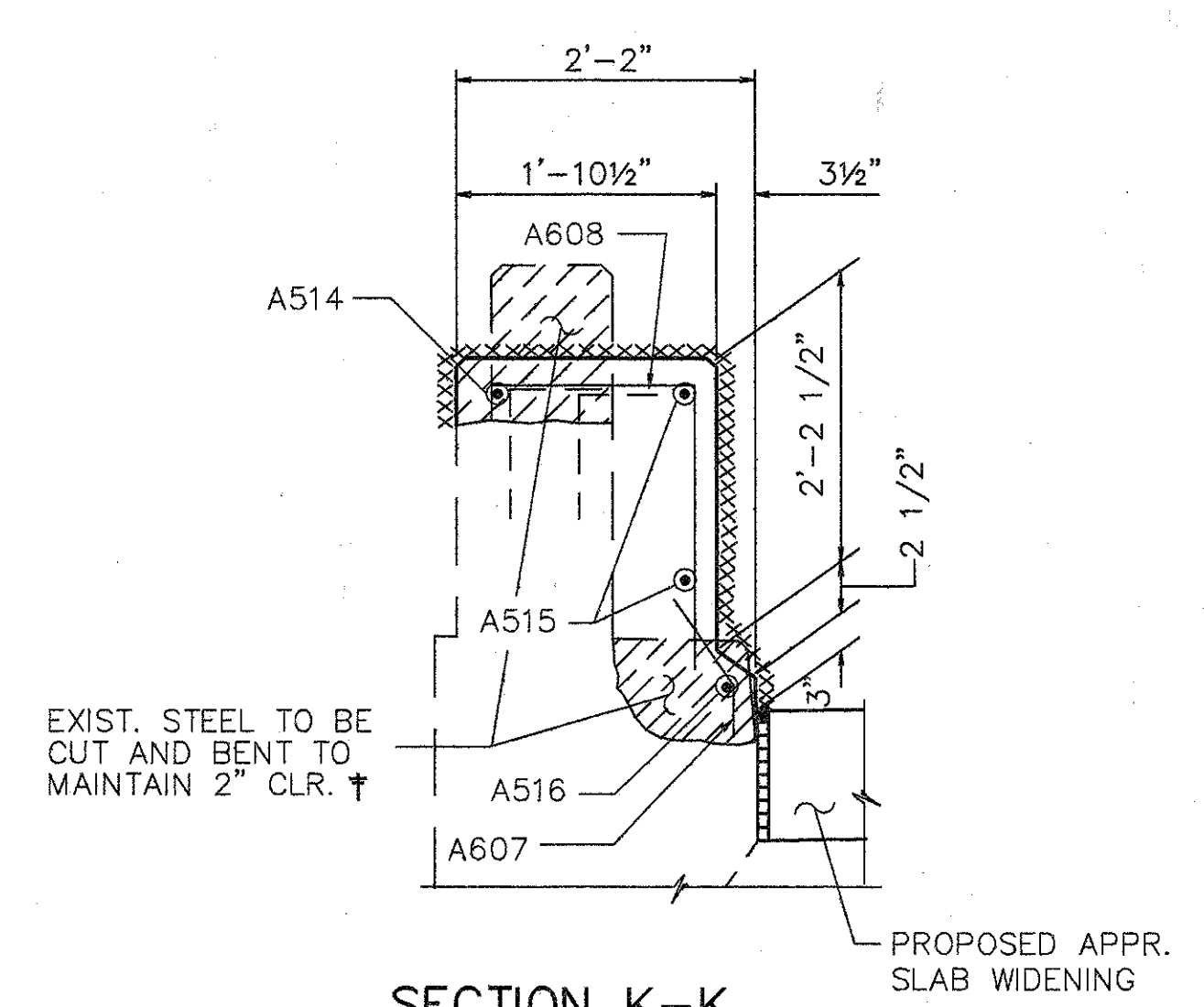


**SECTION H-H**

NOTE: SECTION H-H IS LOCATED WITHIN 10'-0" TAPER FOR GUARDRAIL TERMINAL ASSEMBLY. TAPER OCCURS BETWEEN SECTION F-F AND SECTION J-J.

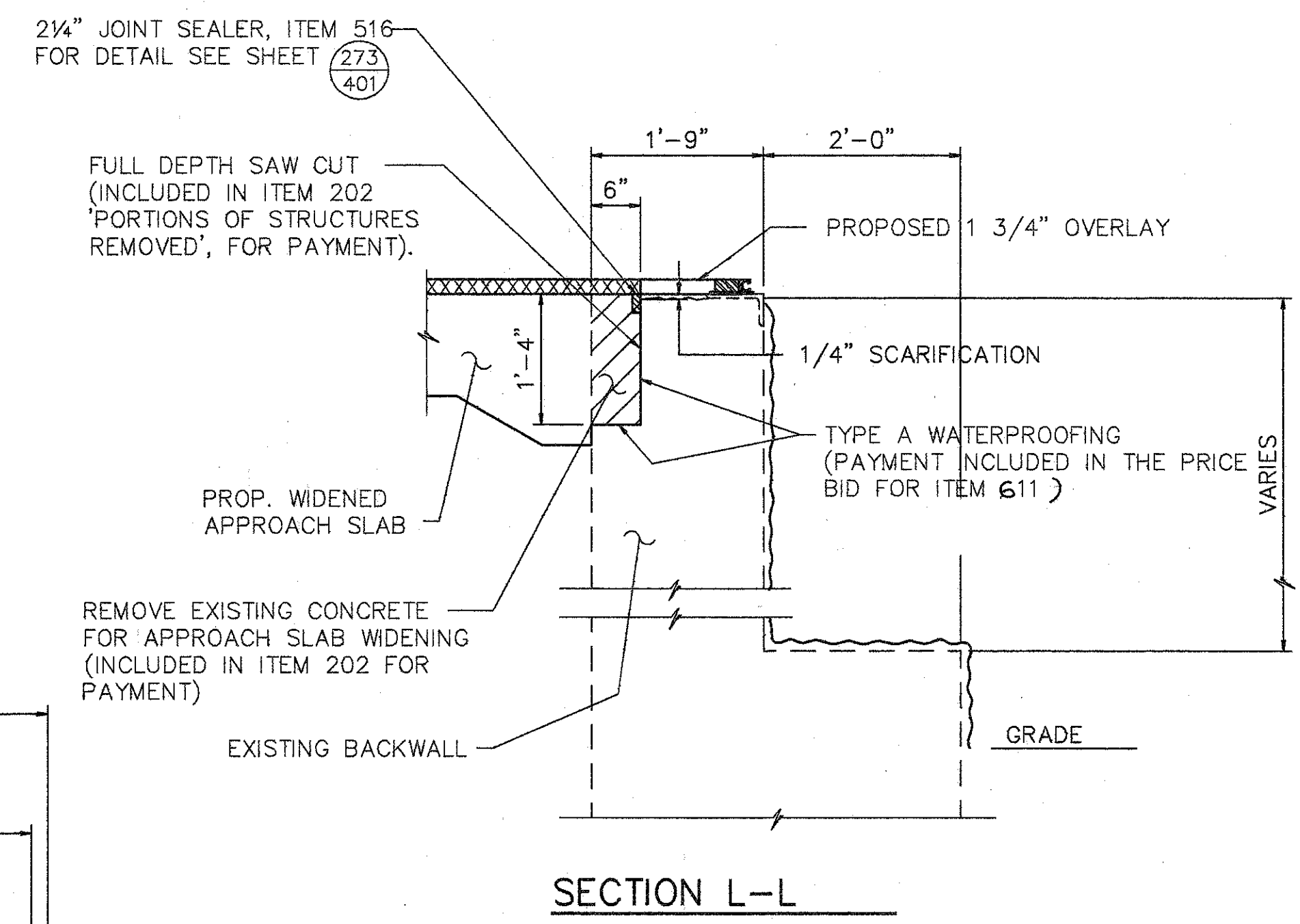


**SECTION J-J**



**SECTION K-K**

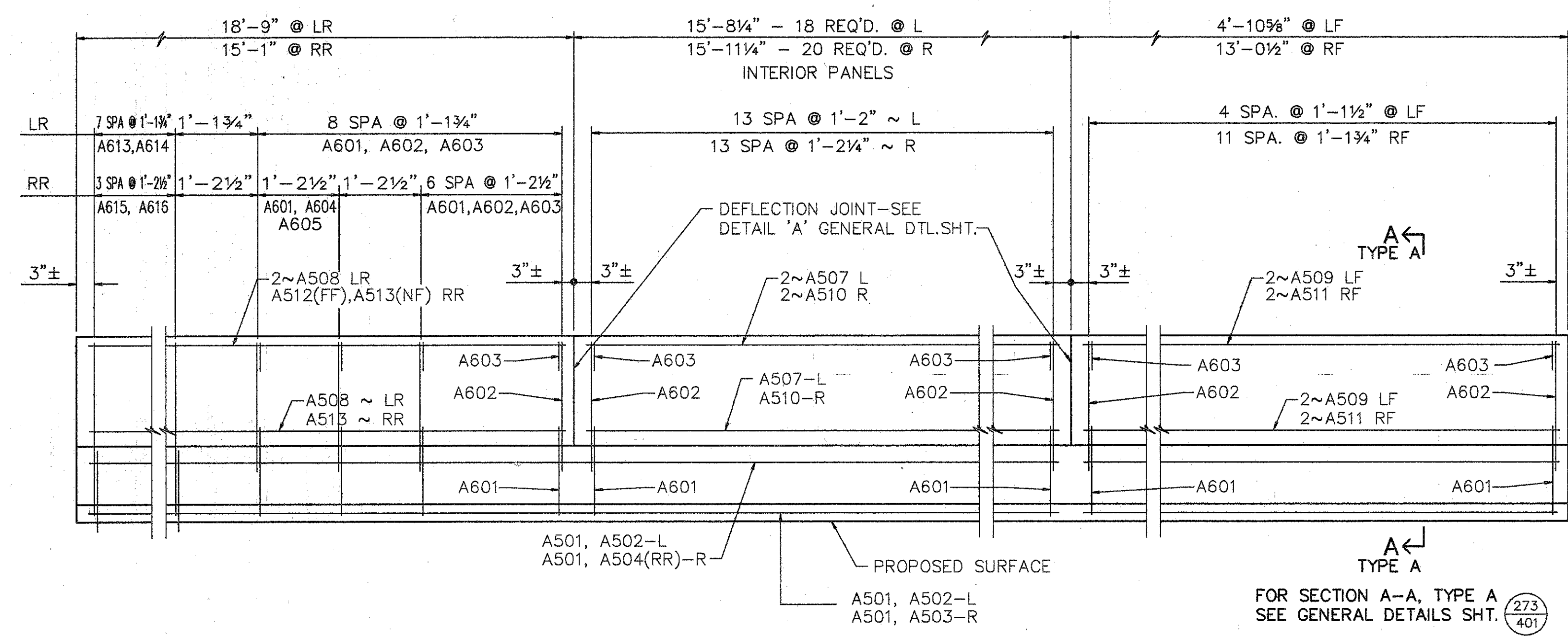
† BARS SHALL REMAIN. CONTRACTOR SHALL EXERCISE CAUTION TO ENSURE THAT THESE BARS ARE NOT DAMAGED DURING THE CONCRETE REMOVAL OPERATION. ANY BARS DAMAGED AS A RESULT OF THE CONTRACTOR'S OPERATION SHALL BE REPLACED OR REPAIRED BY THE CONTRACTOR AT HIS EXPENSE. METHOD OF REPAIR OR REPLACEMENT WILL BE AT THE DISCRETION OF THE DIRECTOR.



**SECTION L-L**

- EXISTING CURB AND PARAPET TO BE REMOVED UNDER ITEM 202-PORCTIONS OF STRUCTURES REMOVED.
- EXISTING RAILING & POSTS TO BE REMOVED & STACKED NEATLY ALONG THE RIGHT OF WAY FOR DISPOSAL BY THE CONTRACTOR. ALL WORK SHALL BE INCLUDED IN THE PRICE BID FOR ITEM 202-PORCTIONS OF STRUCTURE REMOVED.
- xxxxxx SURFACES TO BE SEALED UNDER ITEM SPECIAL- SEALING OF CONCRETE SURFACES.

- NOTES:
1. PREFORMED EXPANSION JOINT FILLER AND SEALER AT CORNERS AND SIDES IF THE APPROACH SLAB SHALL BE INCLUDED IN THE PRICE BID PER SQ. YD. FOR THE APPROACH SLAB.
  2. TYPE A WATERPROOFING AT THE BRIDGE LIMIT END OF THE WIDENING APPROACH SLAB (AS PER STD. DWG. AS-1-81) SHALL BE INCLUDED IN THE PRICE BID FOR ITEM 611 APPROACH SLAB.



**ELEVATION SUPERSTRUCTURE PARAPET**

**LEGEND:**  
 L DENOTES LEFT SIDE  
 R DENOTES RIGHT SIDE  
 RF DENOTES RIGHT FORWARD  
 LF DENOTES LEFT FORWARD  
 RR DENOTES RIGHT REAR  
 LR DENOTES LEFT REAR  
 NF DENOTES NEAR FACE  
 FF DENOTES FAR FACE

FOR SECTIONS NOT SHOWN ON THIS SHEET SEE SHEET 3&6/7

FOR SECTIONS NOT SHOWN ON THIS SHEET SEE SHEET 3,4,&7/8

**WOOLPERT CONSULTANTS**  
 409 E. MONUMENT AVENUE  
 DAYTON, OHIO 45402-1226  
 (513) 461-5660

**PARAPET ELEVATION, SECTIONS AND DETAILS**  
 BRIDGE NO. HAM-42-0257 R  
 OVER I-71

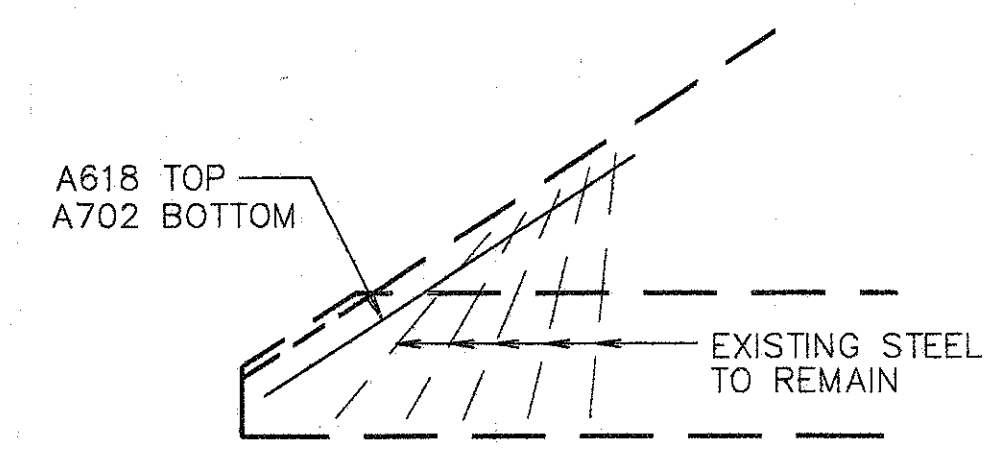
HAMILTON

DESIGNED	DRAWN	TRACED	CHECKED	REVIEWED	DATE	REVISED
L.A.T.M.	D.E.E.		M.A.A.	D.E.M11/11/94		

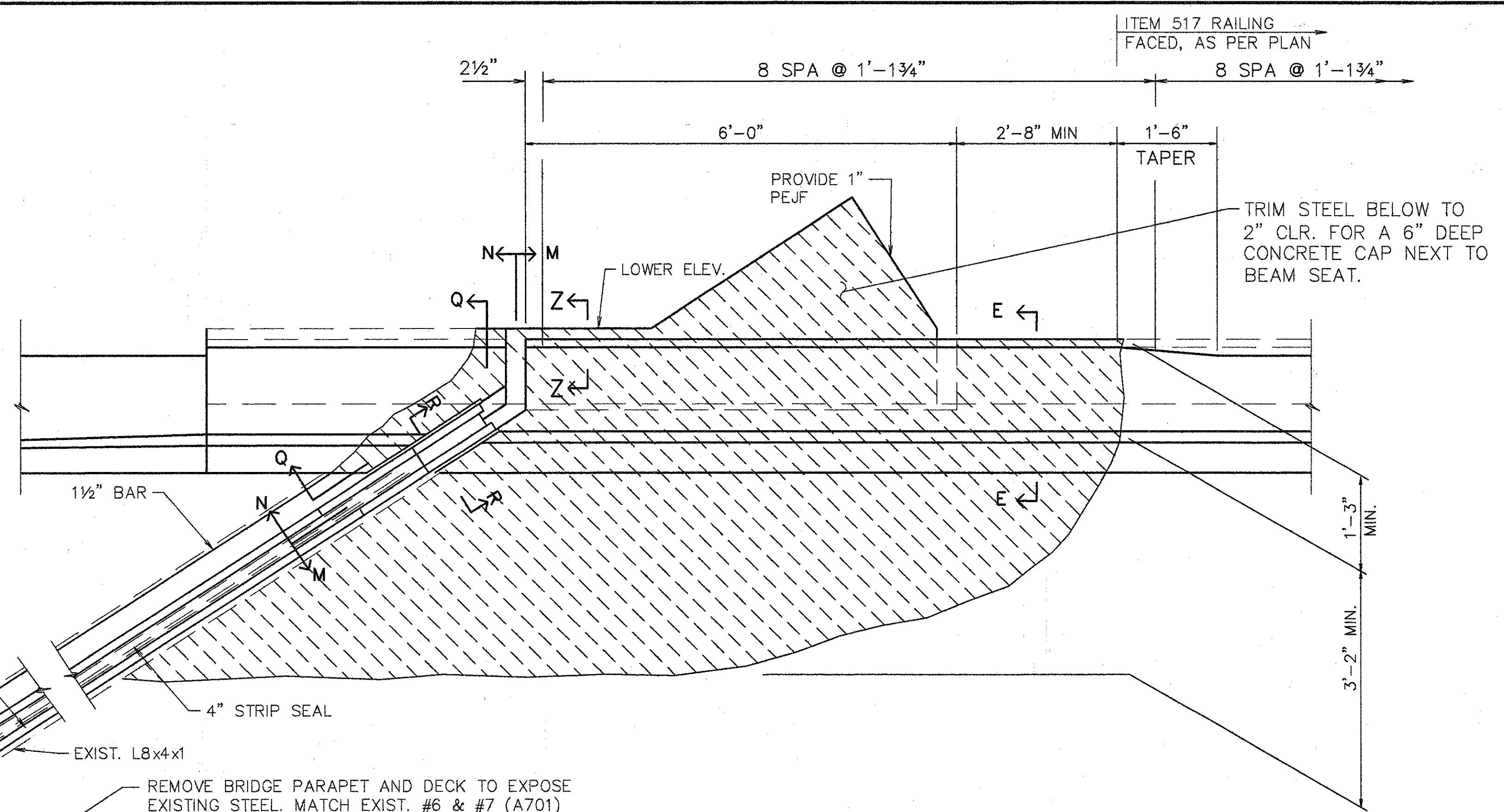
5/8

Last Plot MAY 15, 1995 @ 9:16 PM  
 C:\XTRA\16594-03\ASHP\AND\025757R14.Lot Revision By: RACH JLL, 15, 1994 @ 9:10 AM





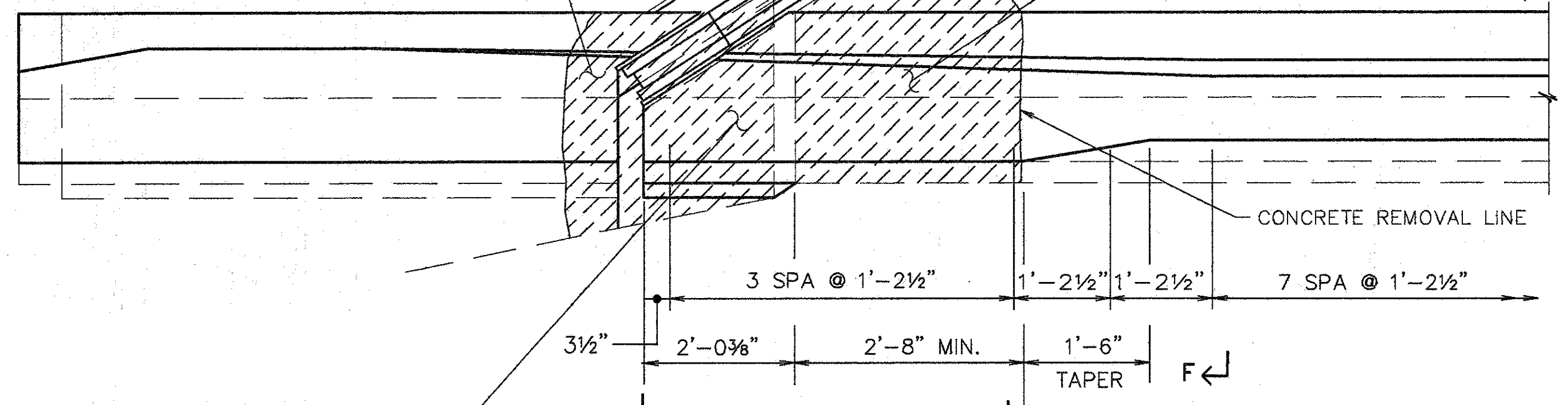
DETAIL "B"



SEE DETAIL B FOR PLACEMENT OF SLAB STEEL  
 EXTEND L-7x4x1/2 & L-8x6x1 SEE PLAN END DAM @ WIDENED AREAS THIS SHEET.

TRIM EXISTING LONGITUDINAL STEEL FOR 2" CLEARANCE. BEND TRANSVERSE STEEL TO 2" CLEARANCE

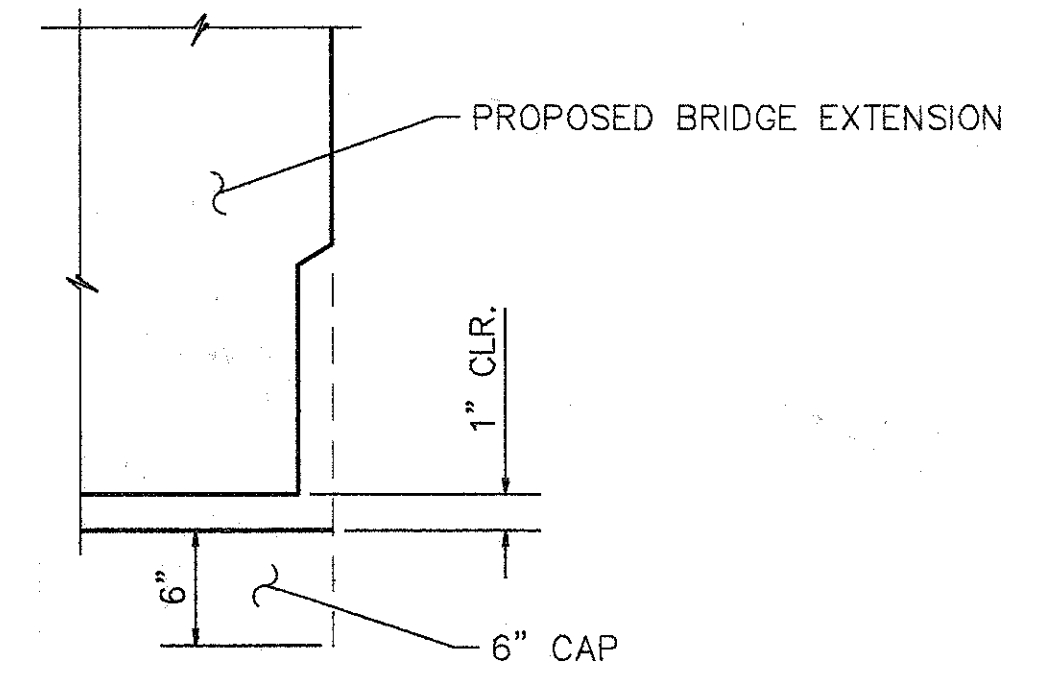
REMOVE BRIDGE PARAPET AND DECK TO EXPOSE EXISTING STEEL. MATCH EXIST. #6 & #7 (A701) BARS WITH EXT. ENTIONS FOR REINFORCEMENT OF NEW SLAB. POUR TO SCARIFIED LEVEL. LEAVE SURFACE ROUGH. CONCRETE AND REPLACEMENT WORK TO BE INCLUDED UNDER ITEM 511 S CONCRETE, SUPERSTRUCTURE, (RECONSTRUCTION) FOR PAYMENT.



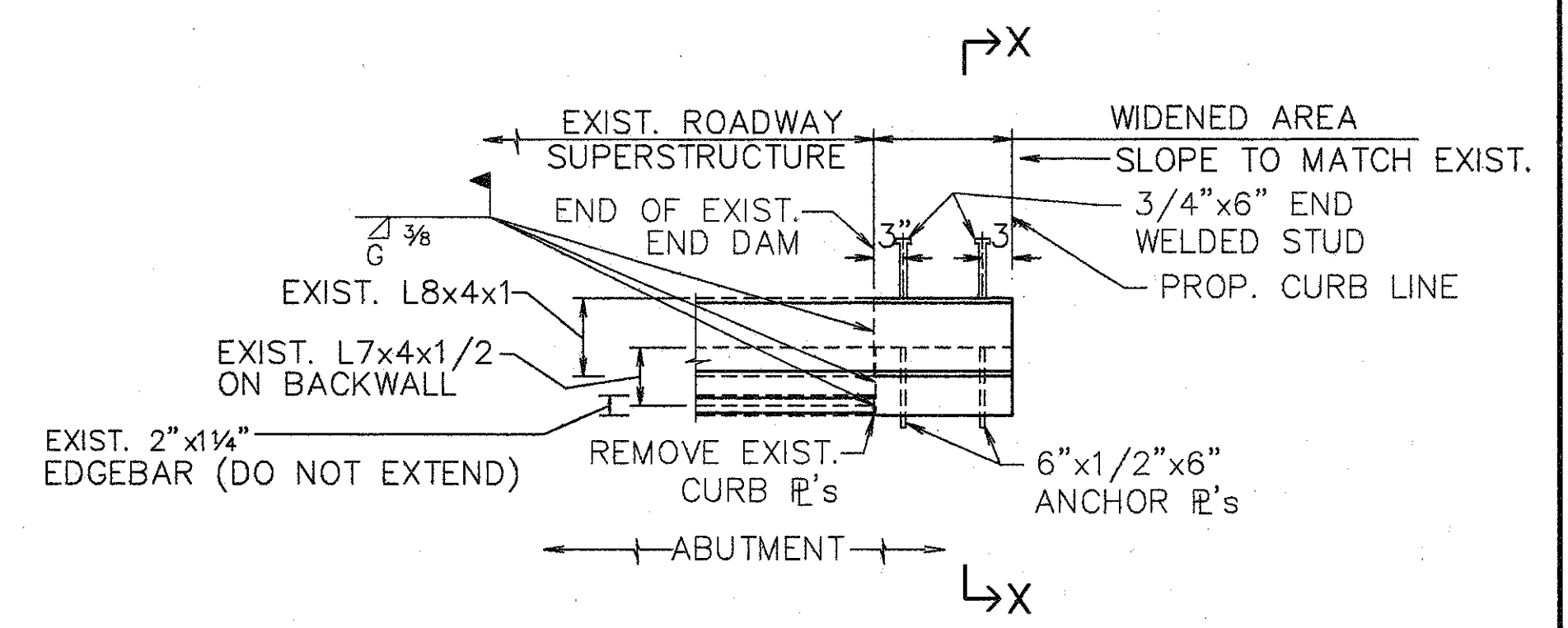
PART PLAN @ REAR ABUTMENT

REMOVE PARAPET ON ABUTMENT TO AN ELEVATION THAT WILL CLEAR THE BOTTOM OF THE BRIDGE EXTENSION WHEN CAPPED AND 1'-0" BEHIND THE FACE OF THE BACKWALL. LONGITUDINAL STEEL IN PARAPET AND VERT./HORIZ. STEEL IN ABUTMENT TO REMAIN. MAINTAIN 1" CLR. BETWEEN SUPERSTRUCTURE SLAB & ABUTMENT CONCRETE BOTH HORIZ. AND VERTICALLY (TYP REAR ABUT.)

ITEM 517 RAILING FACED, AS PER PLAN



SECTION Z-Z

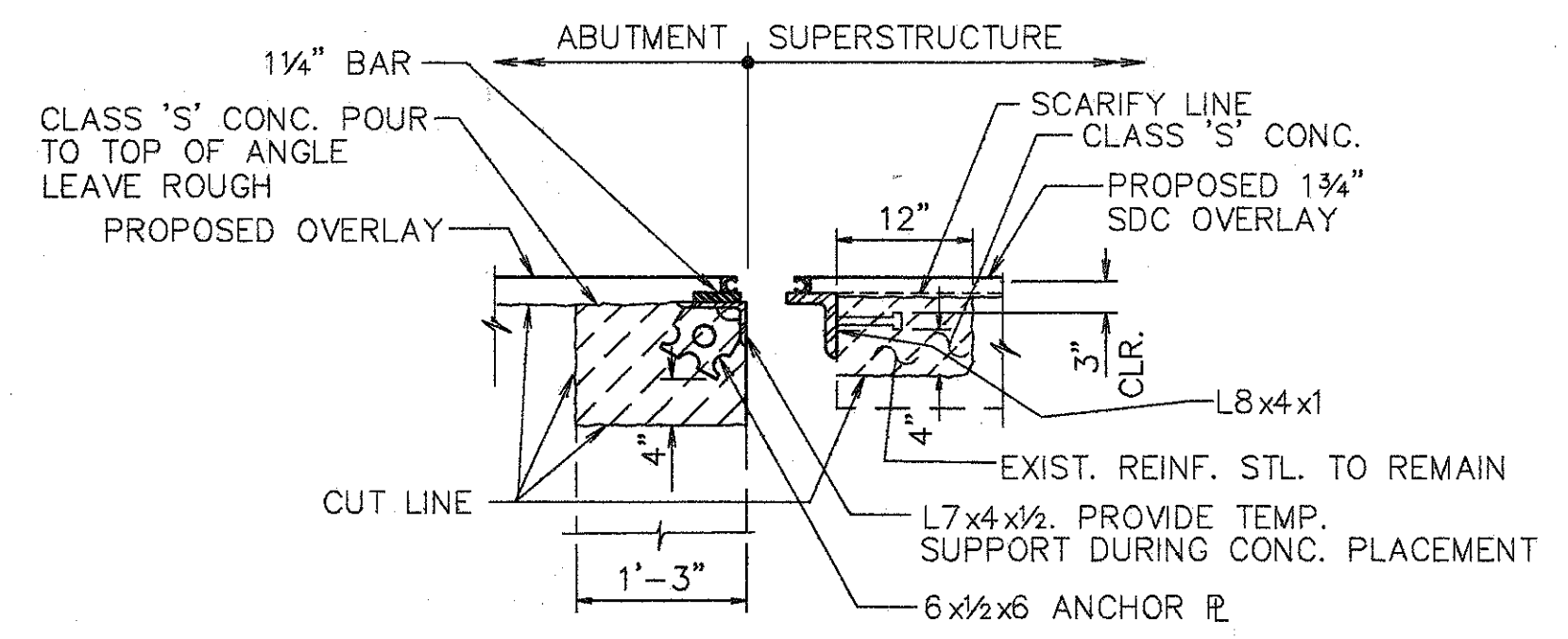


PLAN END DAM @ WIDENED AREAS

SKREW NOT SHOWN

NOTES:

- FOR DETAILS & DIMS. NOT SHOWN SEE STD. DWG. SD-1-69.



SECTION X-X

NOTE:

1. FOR DETAILS NOT SHOWN SEE STD. DWG. SD-1-69.
2. SEE SECTION J-J FOR RETAINER SPACING AND WELDING

FOR SECTIONS NOT SHOWN ON THIS SHEET SEE 4,5,&7/8

**WOOLPERT CONSULTANTS**  
 409 E. MONUMENT AVENUE  
 DAYTON, OHIO 45402-1226  
 (513) 461-5660

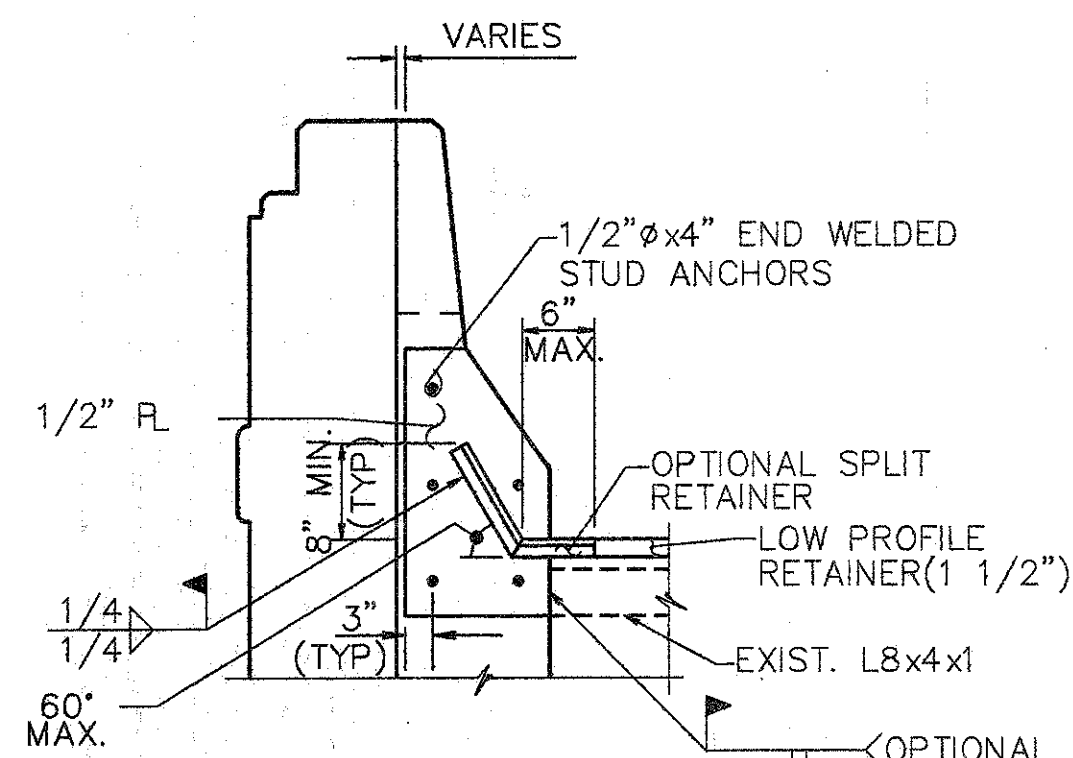
EXPANSION JOINT DETAILS

BRIDGE NO. HAM-42-0257R  
 OVER N.B. READING ROAD

HAMILTON COUNTY

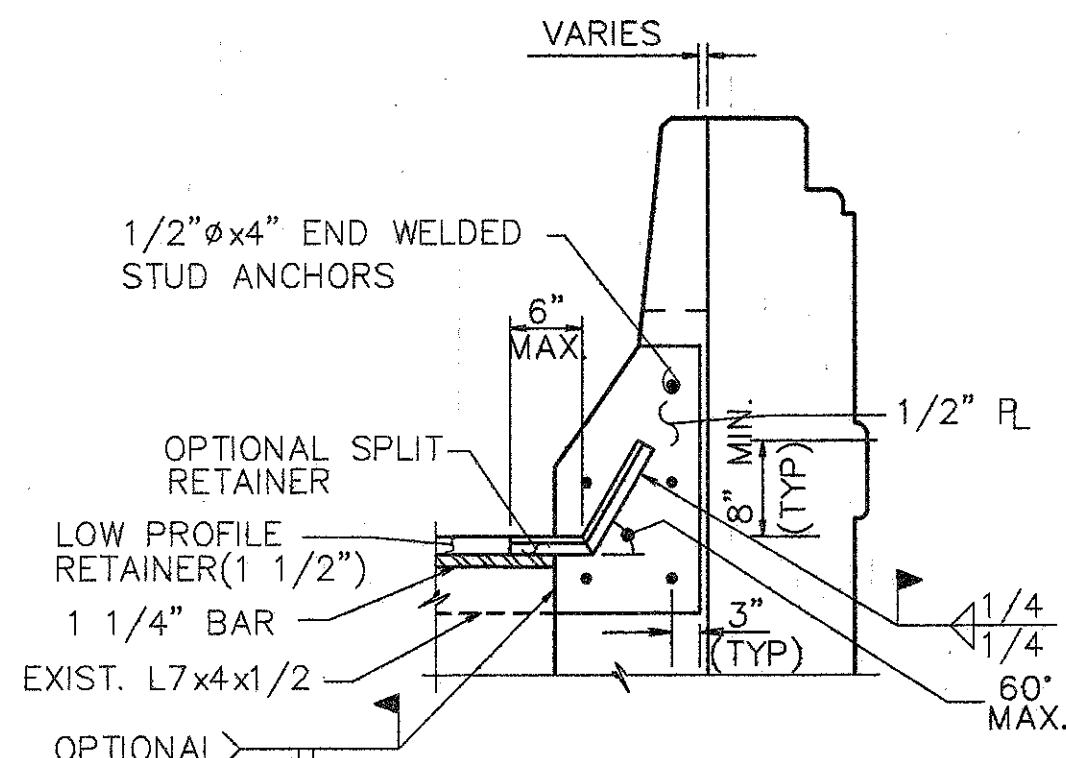
DESIGNED	DRAWN	TRACED	CHECKED	REVIEWED	DATE	REVISED
L.A.T.M.	D.E.E.		M.A.A.	D.E.M11/11/94		

LAM FILED MAY 15, 1991 @ 5:17 PM  
 C:\SERV\10556-03\SHLAND\025757R.DWG



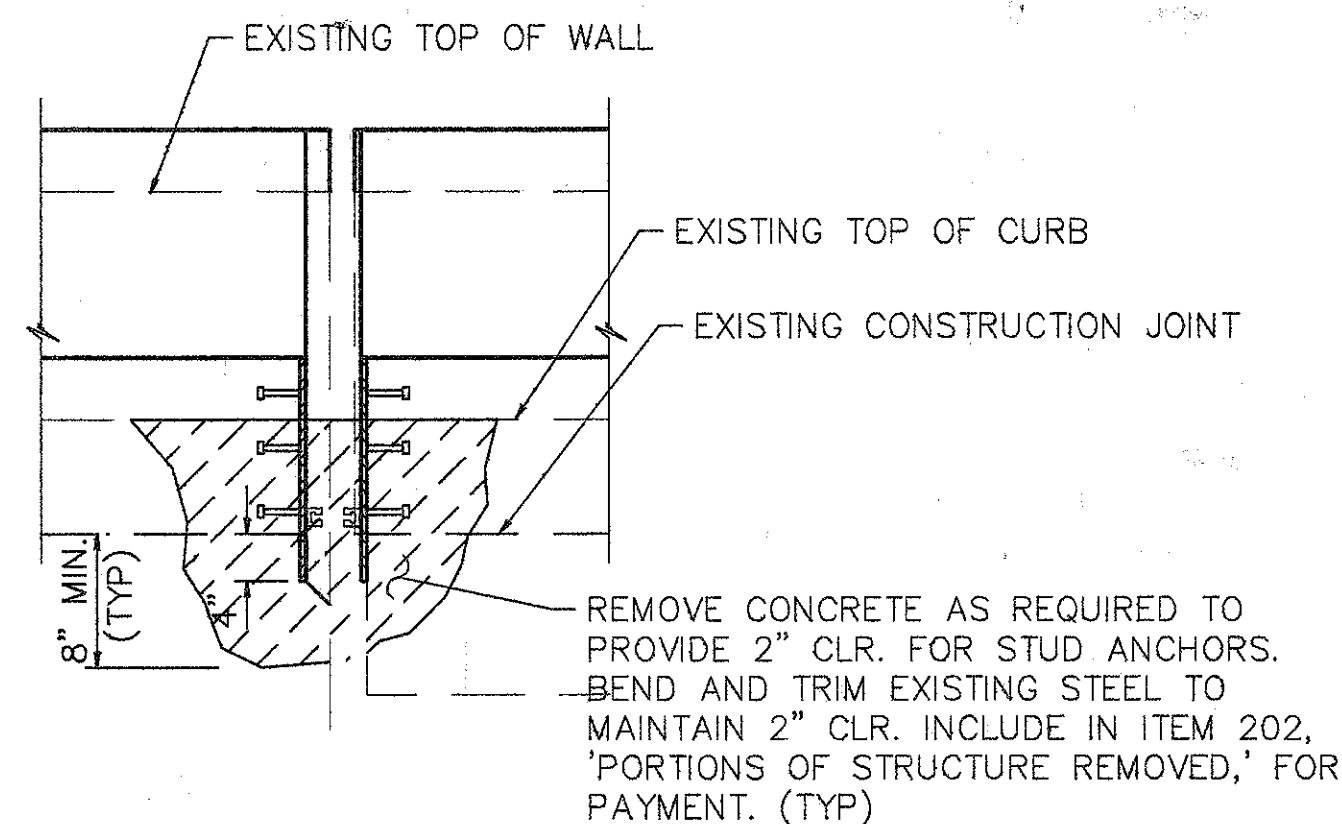
SECTION M-M

LR & RF SHOWN, LF & RR OPPOSITE HAND

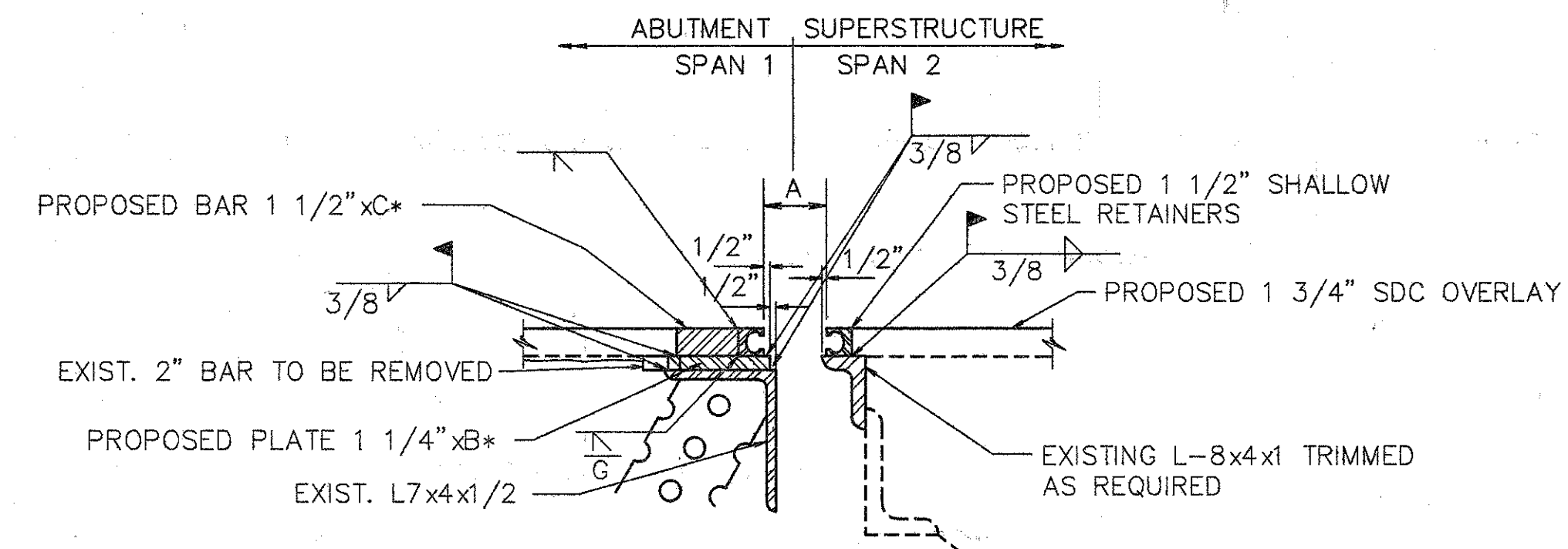


SECTION N-N

LR & RF SHOWN, LF & RR OPPOSITE HAND



SECTION R-R



SECTION P-P

B\* = ANGLE LEG MINUS 1"  
 C\* = B\* MINUS WIDTH OF RETAINER MINUS 1"

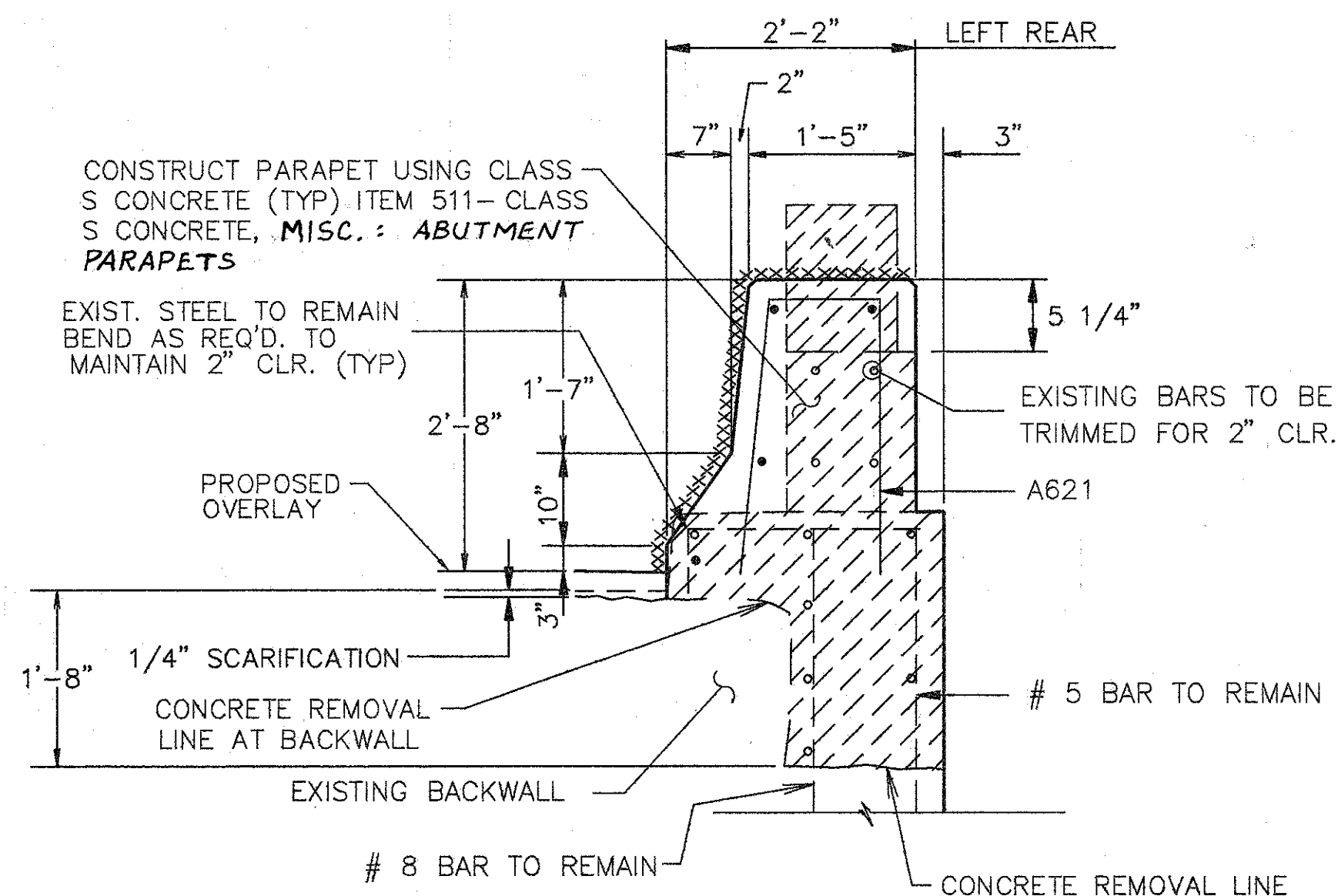
NOTE:

- EXPANSION JT. DETAILS TO BE WORKED WITH STD. DWG. EXJ-4-87 SHTS. 1 thru 5.
- WHEN PLATE IS RECESSED INTO ABUTMENT, CONCRETE BELOW PLATE SHALL BE SLOPED FROM BOTTOM OF THE PLATE TO THE END OF THE ABUTMENT TO DETER THE ACCUMULATION OF DEBIS.

NOTES:

- CONTRACTOR TO VERIFY ALL DIMENSIONS PRIOR TO MODIFYING THE EXPANSION JOINT.
- THE PRICE BID FOR ITEM 516-'STRUCTURAL EXPANSION JOINTS, INCLUDING ELASTOMERIC STRIP SEALS', SHALL INCLUDE ALL LABOR, MATERIALS, EQUIPMENT, AND ANY OTHER INCIDENTAL ITEMS, AS DETAILED. REMOVAL OF CURB OR PARAPET AS SHOWN SHALL BE INCLUDED UNDER ITEM 202-'PORTIONS OF STRUCTURE REMOVED.'
- FOR DETAILS NOT SHOWN REFER TO DRAWING EXJ-4-87 SHEETS 3 AND 4.

TEMPERATURE	DIM. 'A'	
	FORWARD	REAR
40° F	3 1/2"	3 1/8"
50° F	3 1/4"	3 1/8"
60° F	3 1/8"	3"
70° F	3"	3"
80° F	2 3/4"	2 7/8"
90° F	2 1/2"	2 7/8"



SECTION Q-Q

NOTE: SECTION Q-Q AT RIGHT REAR IS WITHIN 10'-0" TAPER FOR GUARDRAIL TERMINAL ASSEMBLY. TAPER OCCURS BETWEEN SECTIONS F-F AND SECTIONS J-J.

FOR SECTIONS NOT SHOWN THIS SHEET SEE SHEET 4&5/8

**WOOLPERT CONSULTANTS**  
 409 E. MONUMENT AVENUE  
 DAYTON, OHIO 45402-1226  
 (513) 461-5660

EXPANSION JOINT DETAILS

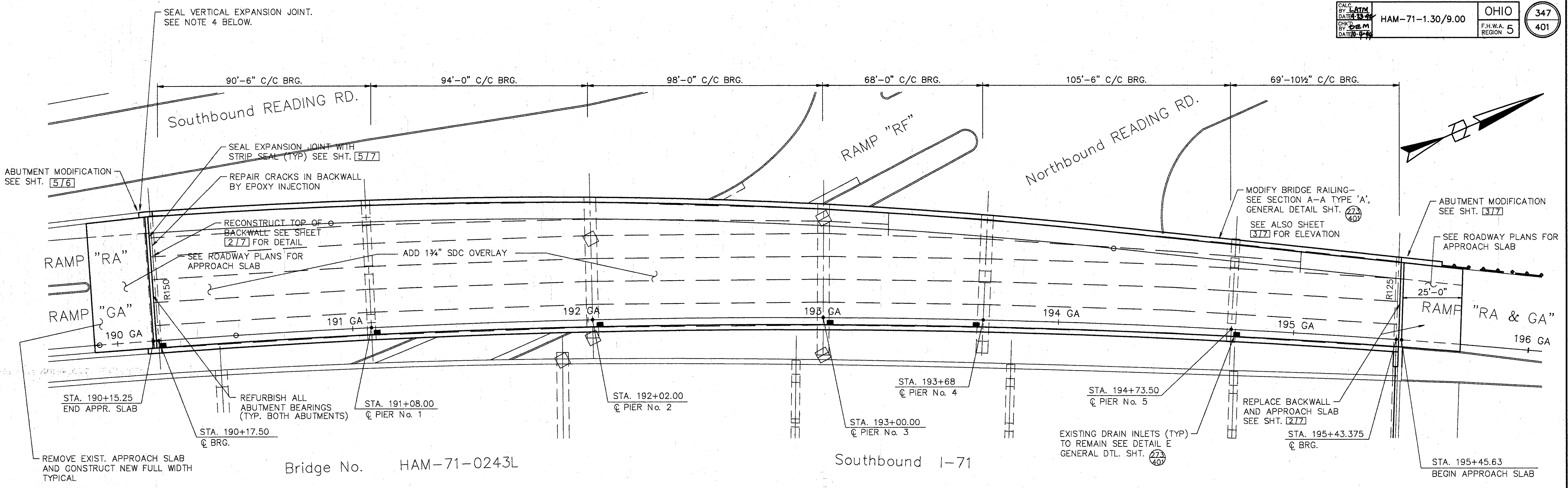
BRIDGE NO. HAM-42-0257R  
 OVER N.B. READING ROAD

HAMILTON COUNTY

DESIGNED	DRAWN	TRACED	CHECKED	REVIEWED	DATE	REVISED
L.A.T.M.	D.E.E.		M.A.A.	D.E.M11/11/94		



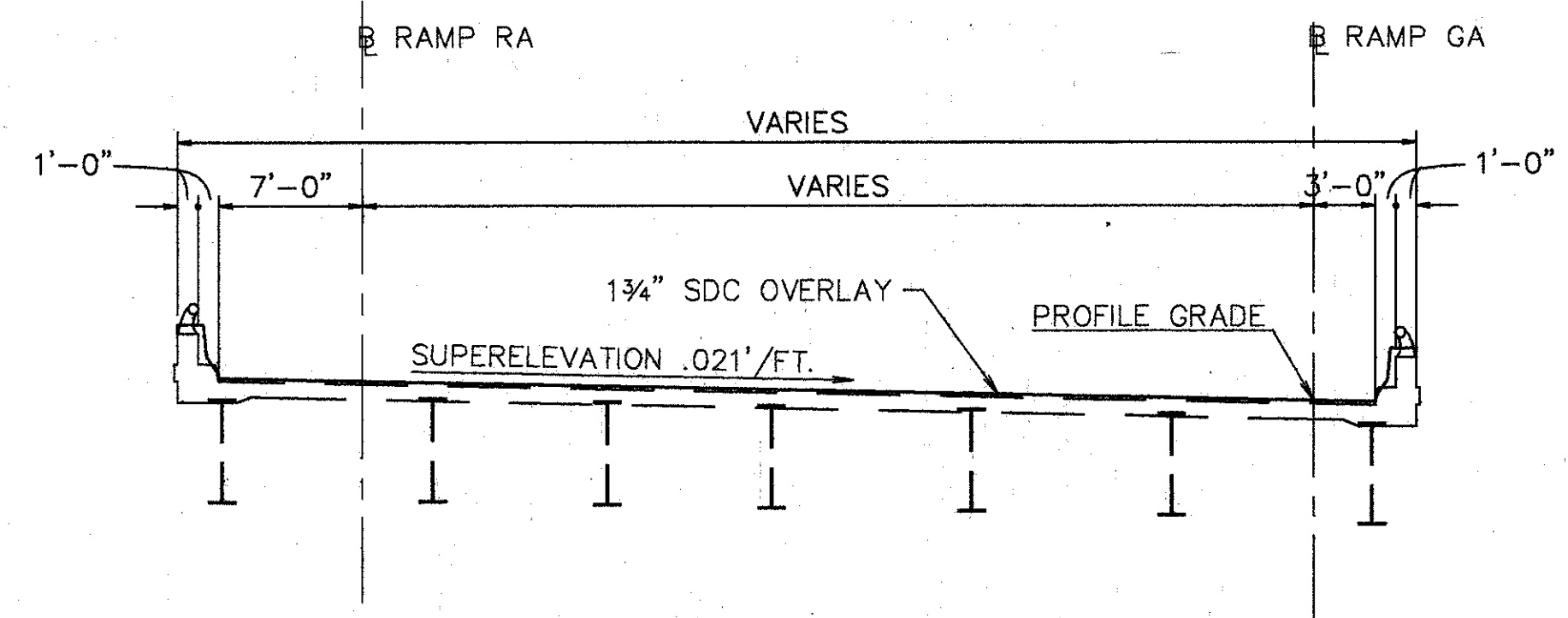




**PLAN**

- NOTE:**
1. SEAL PARAPETS, BACKWALLS AND PIERS. SEAL ALL OF PIERS EXCEPT TOP OF PIER CAP (PIER 1 & 5) AND TOP OF COLUMNS (PIERS 2, 3 & 4).
  2. REFURBISH DRAINAGE PIPING.
  3. SEE JUNCTION BOX EXTENSION DETAIL GENERAL DETAIL SHT. [273] FOR BARRIER RETROFIT AT JUNCTION BOXES. SEE LIGHTING DETAILS. FOR TYPE AND LOCATION.
  4. CLEAN EXISTING EXPANSION JOINT TO A DEPTH OF 6 1/2" ± x 12'-6" ± ABOVE GRADE AND 6" ± BELOW GRADE. INSERT ITEM 516, STRUCTURAL JOINT OR JOINT SEALER, MISC. 3"x5" SEALER AS PER PLAN AS MANUFACTURED BY "WILL-SEAL" OR CLOSED CELL EXPANDED NEOPRENE KNOWN AS "WILLIAMS NEOPRENE", MANUFACTURED BY WILLIAMS PRODUCTS INC., OR EQUIVALENT.

ROCKER SIZE	JACK CAPACITY REQ'D. (MIN)
R125	100 TON
R150	100 TON



**EXISTING STRUCTURE**

TYPE: CONTINUOUS STEEL PLATE GIRDERS WITH REINFORCED CONCRETE DECK & SUBSTRUCTURE  
 SPANS: 90'-6", 94'-0", 98'-0", 68'-0", 105'-6", 69'-10 1/2" C/C BEARINGS  
 ROADWAY: VARIES W/1'-0" CURBS  
 SKEW: C PIER NO.3 IS RADIAL; THE C OF THE OTHER PIERS & ABUTMENTS C BRG. ARE PARALLEL TO C PIER NO.3  
 LOADING FREQUENCY: C.F.=2000 (57) ADEQUATE FOR AASHO ALTERNATE LOADING  
 WEARING SURFACE: 1" MONOLITHIC CONCRETE  
 APPROACH SLABS: AS-1-54 (25'-0" LONG)  
 ALIGNMENT: VARIES  
 SUPERELEVATION: VARIES

**WOOLPERT CONSULTANTS**  
 409 E. MONUMENT AVENUE  
 DAYTON, OHIO 45402-1226  
 (513) 461-5660

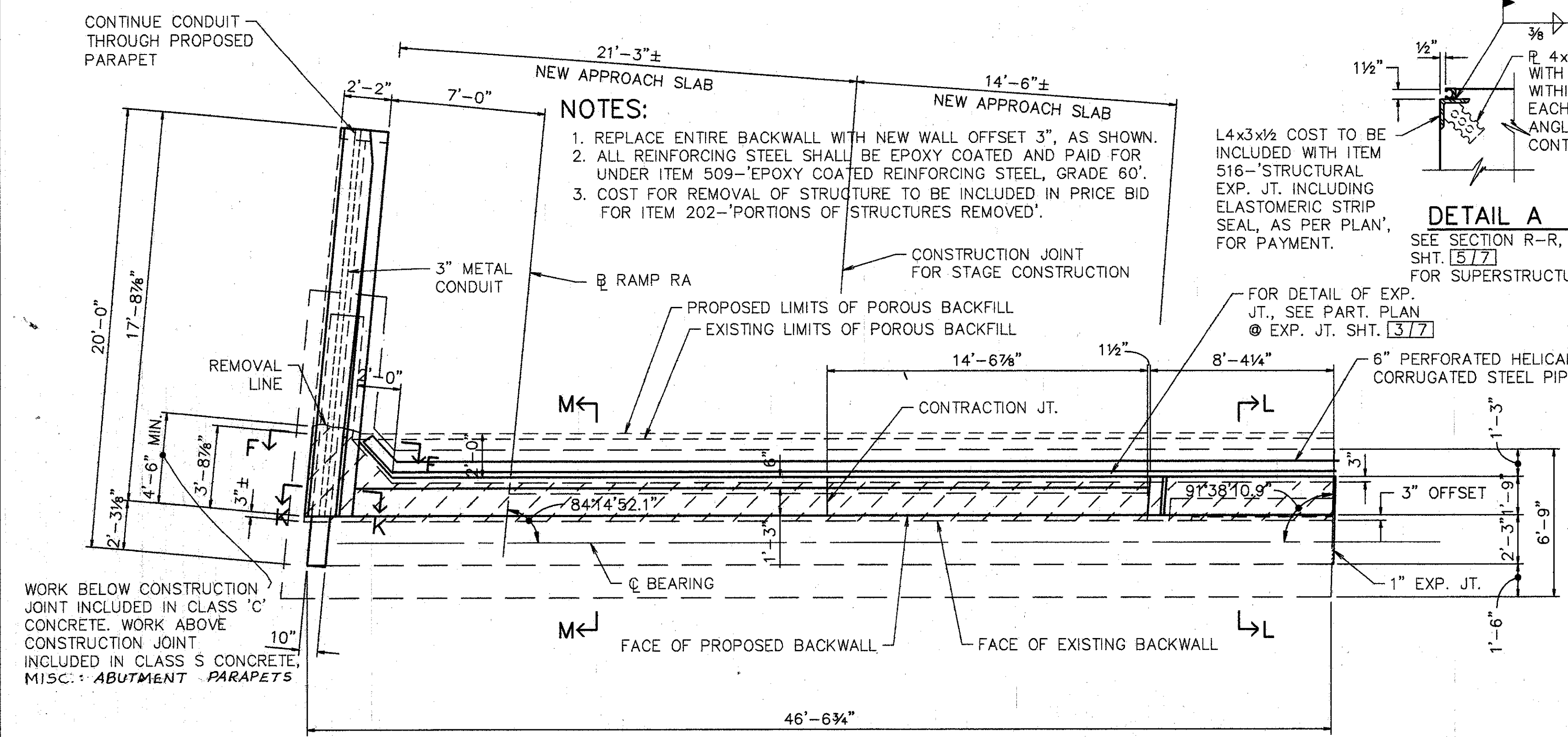
**GENERAL PLAN**

BRIDGE NO. HAM-42-0264R  
 OVER RAMP RF, NORTHBOUND READING RD. AND EDEN PARK ENT.  
 HAMILTON COUNTY

DESIGNED	DRAWN	TRACED	CHECKED	REVIEWED	DATE	REVISED
L.A.T.M.	D.E.E.		M.A.A.	DEM	11/11/94	

Last PLOT MAY 15, 1991 @ 6:45 PM  
 C:\STR\1059-03\102-0264R Lot Revision By: RACH MAY 17, 1995 @ 4:38 PM



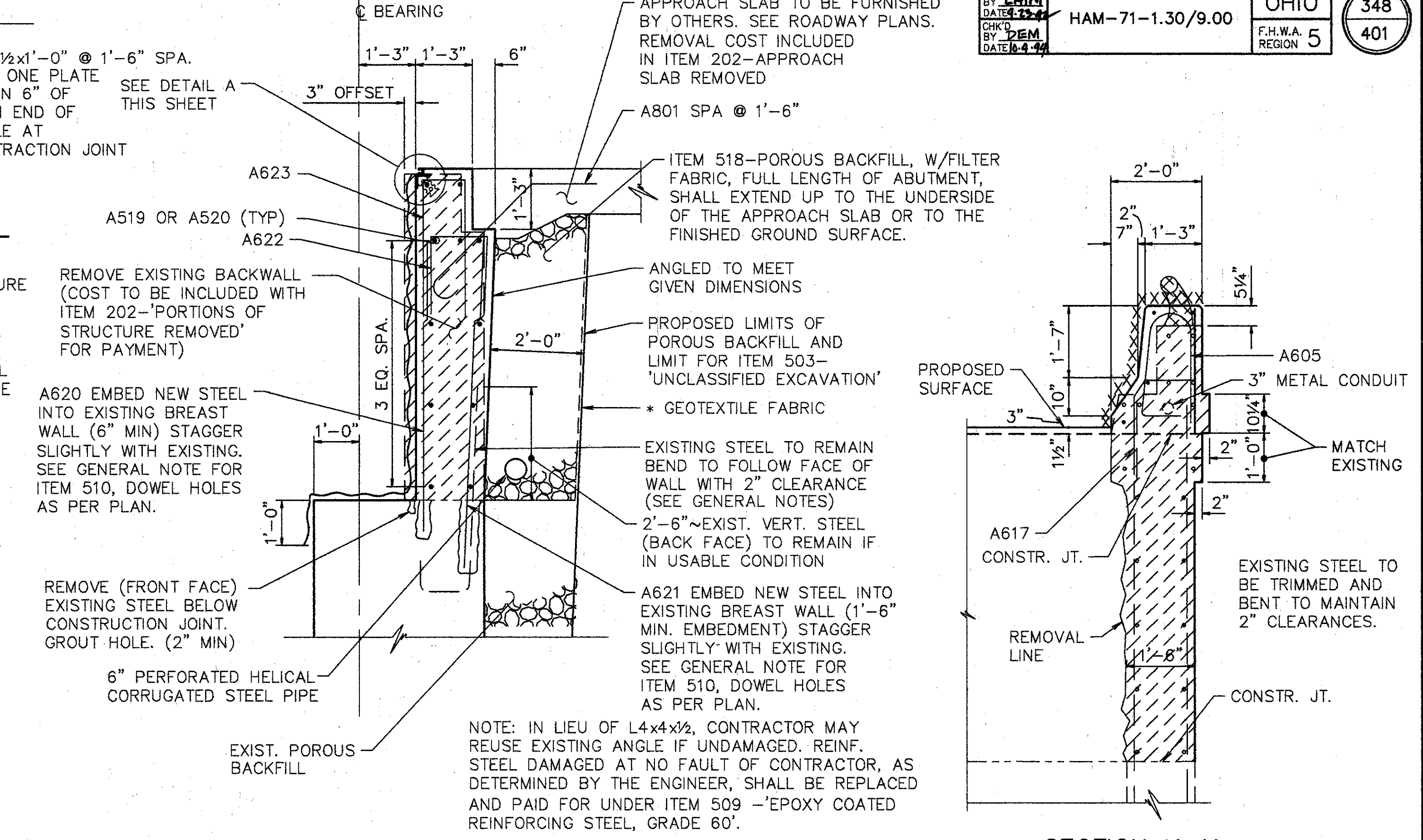


**NOTES:**  
 1. REPLACE ENTIRE BACKWALL WITH NEW WALL OFFSET 3", AS SHOWN.  
 2. ALL REINFORCING STEEL SHALL BE EPOXY COATED AND PAID FOR UNDER ITEM 509-EPOXY COATED REINFORCING STEEL, GRADE 60'.  
 3. COST FOR REMOVAL OF STRUCTURE TO BE INCLUDED IN PRICE BID FOR ITEM 202-'PORTIONS OF STRUCTURES REMOVED'.

L4x3x1/2 COST TO BE INCLUDED WITH ITEM 516-STRUCTURAL EXP. JT. INCLUDING ELASTOMERIC STRIP SEAL, AS PER PLAN, FOR PAYMENT.

**DETAIL A**  
 SEE SECTION R-R, SHT. 577 FOR SUPERSTRUCTURE

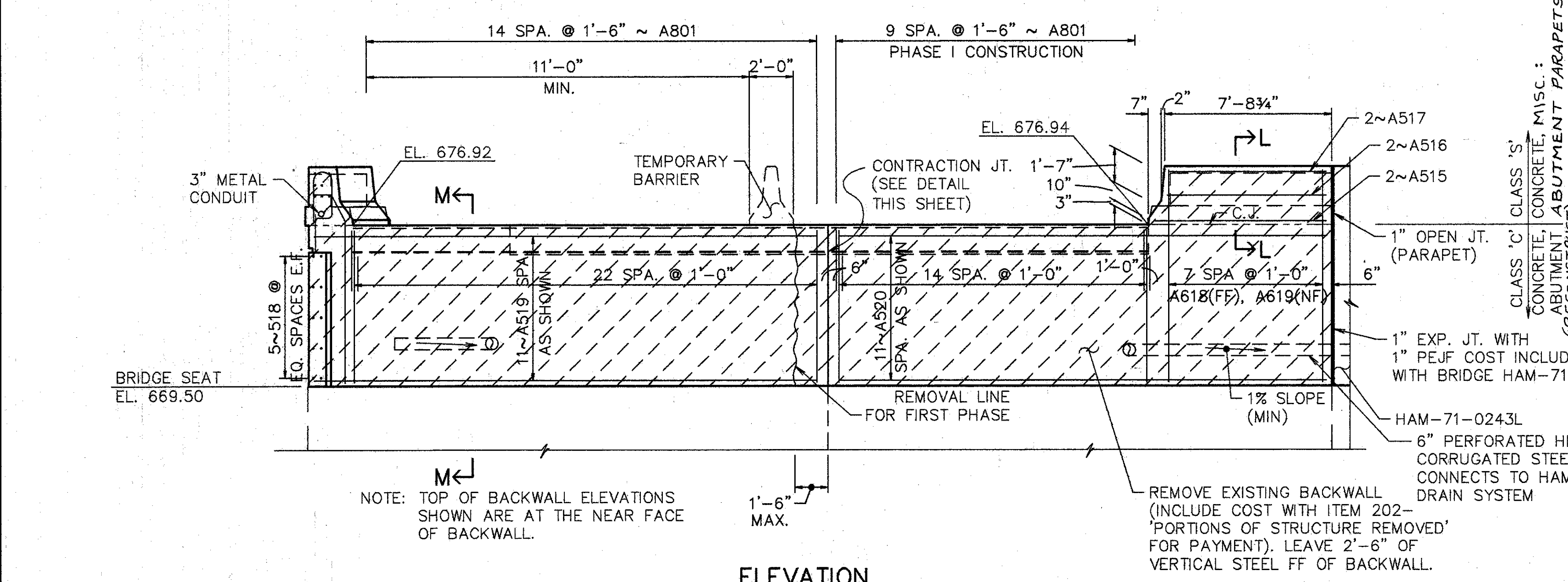
WORK BELOW CONSTRUCTION JOINT INCLUDED IN CLASS 'C' CONCRETE. WORK ABOVE CONSTRUCTION JOINT INCLUDED IN CLASS 'S' CONCRETE. MISC.: ABUTMENT PARAPETS



**SECTION K-K**

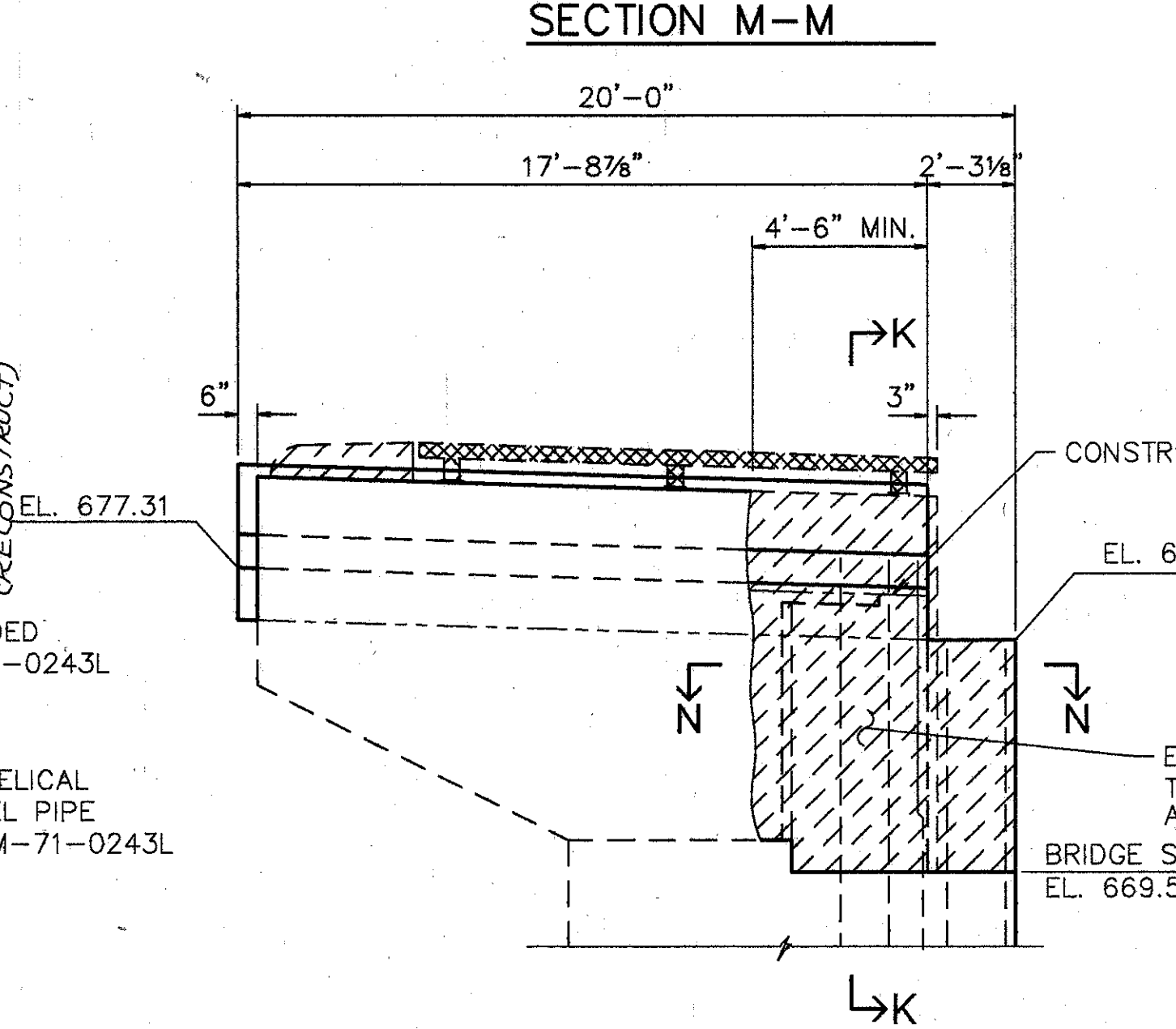
\* GEOTEXTILE FABRIC SHALL CONFORM TO 712.09 TYPE A AND BE INCLUDED WITH THE POROUS BACKFILL FOR PAYMENT.

**FORWARD ABUTMENT PLAN**



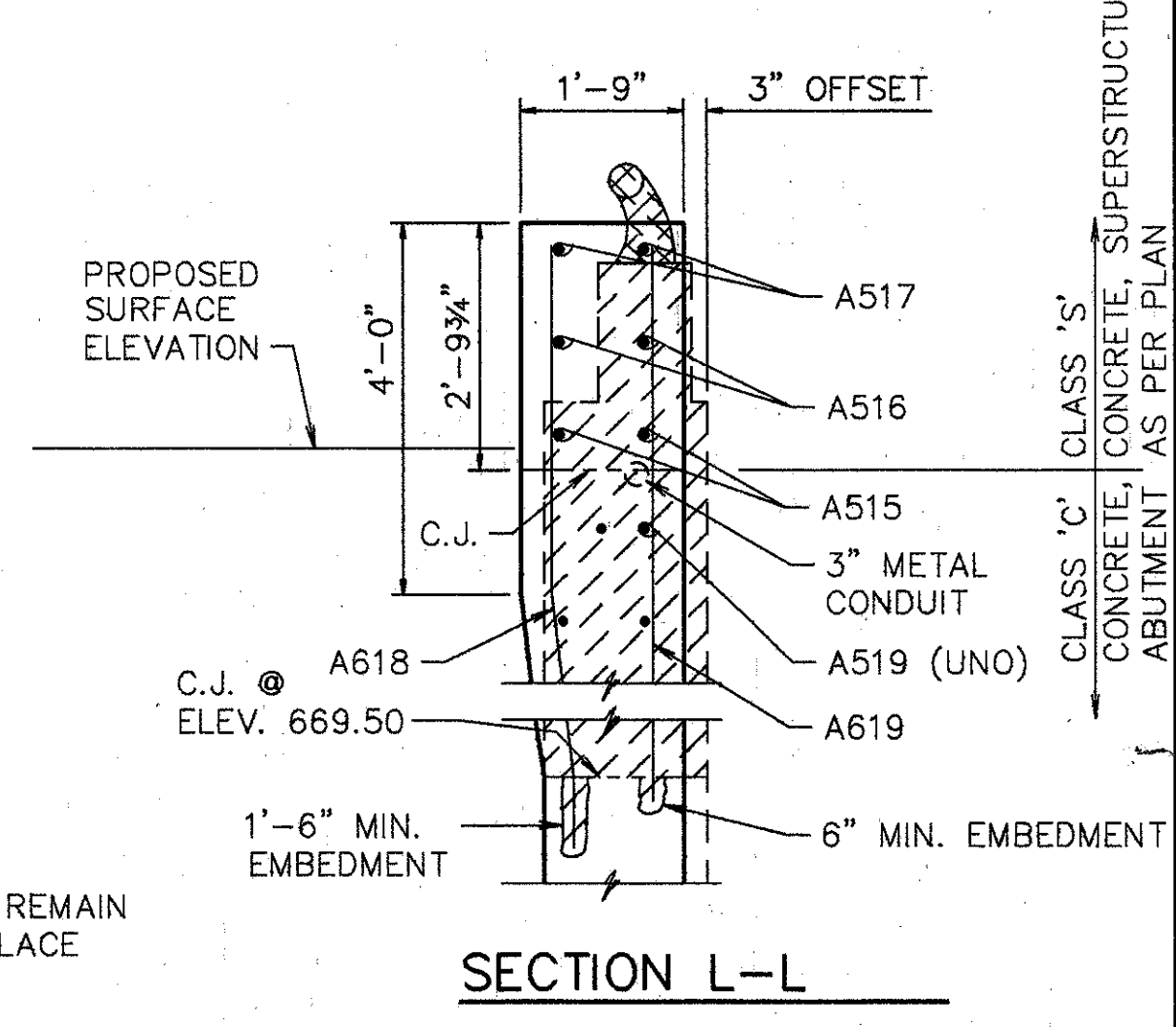
**ELEVATION**

NOTE: TOP OF BACKWALL ELEVATIONS SHOWN ARE AT THE NEAR FACE OF BACKWALL.



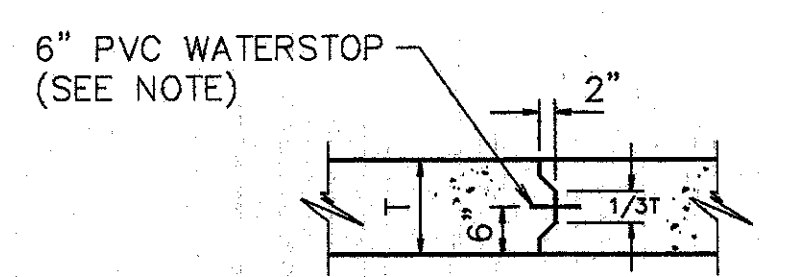
**SECTION M-M**

**LEFT - FORWARD WINGWALL ELEVATION**



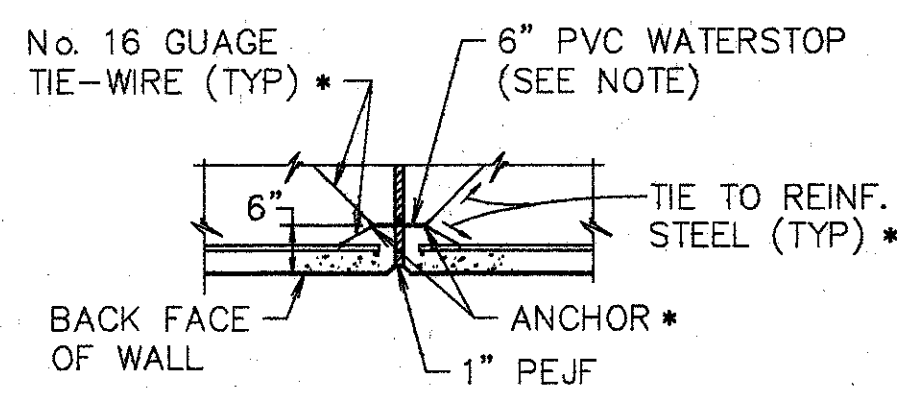
**SECTION L-L**

SEE SHEET 477 FOR NOTES.



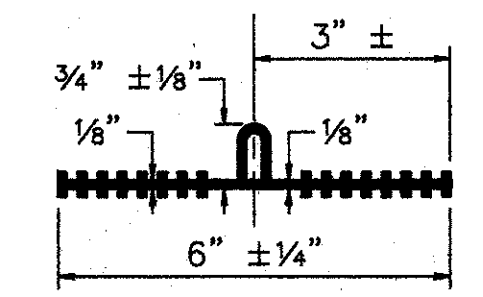
**CONTRACTION JOINT & CONSTRUCTION JOINT**

CONTRACTION JOINT SHOWN. CONSTRUCTION JOINT SIMILAR, EXCEPT THE WATERSTOP IS OMITTED AND REINFORCING STEEL CONTINUES THRU JOINT.



**EXPANSION JOINT**

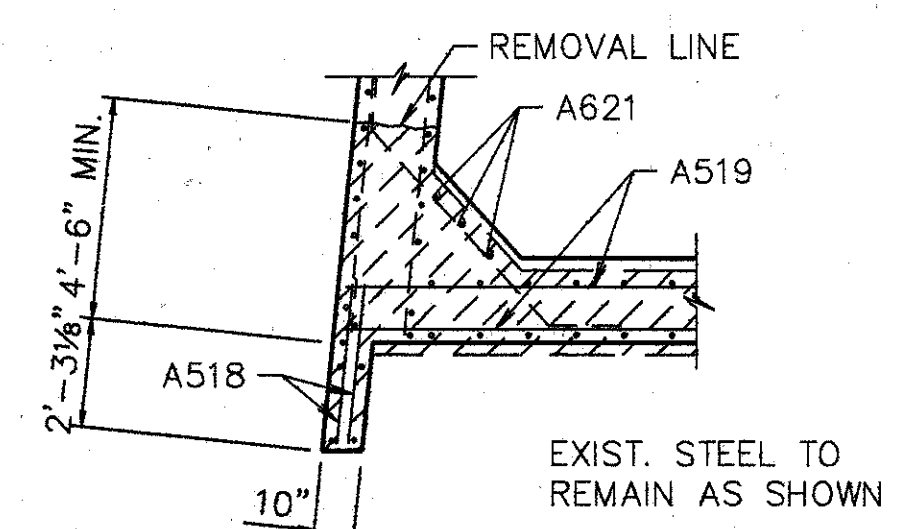
(COST INCLUDED WITH BRIDGE HAM-71-0243L)



**WATERSTOP DETAIL**

\* FOR THE FIRST POUR, THE WATERSTOP SHOULD BE HELD SECURELY IN PLACE BY THE USE OF SPLIT FORMS AND TIE-WIRES. FOR THE SECOND POUR, SECURE THE FREE END OF WATERSTOP IN PROPER POSITION WITH TIE-WIRES. ALTERNATE METHODS, AS APPROVED BY THE ENGINEER, MAY BE USED TO INSURE THE CORRECT POSITIONING OF THE WATERSTOP.

6" PVC WATERSTOP SHALL BE CENTERED ON THE CONTRACTION JOINTS AND EXPANSION JOINTS ABOVE THE ABUTMENT AND WINGWALL FOOTERS. THE WATERSTOP SHALL BE CAPABLE OF ACCOMMODATING 1 1/2" OF JOINT MOVEMENT.



**SECTION N-N**

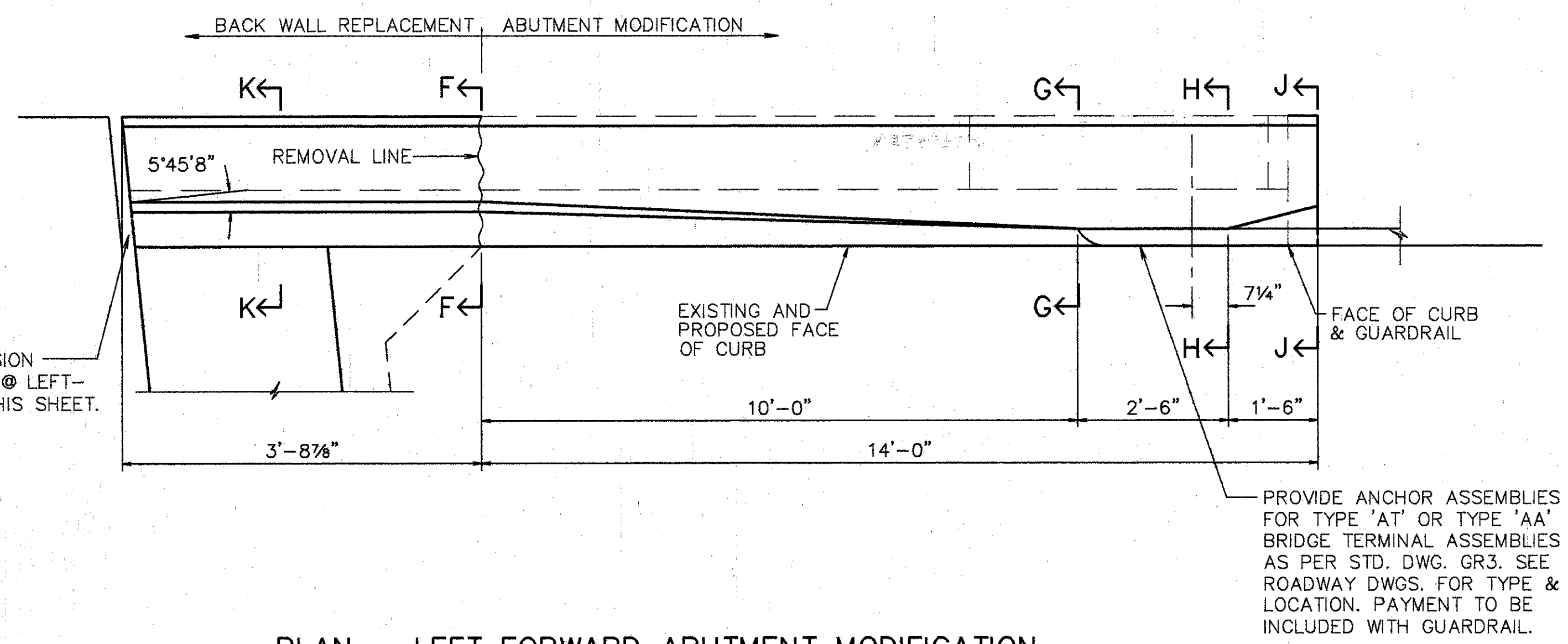
**WOOLPERT CONSULTANTS**  
 409 E. MONUMENT AVENUE  
 DAYTON, OHIO 45402-1226  
 9513) 461-5660

**NORTH ABUTMENT**

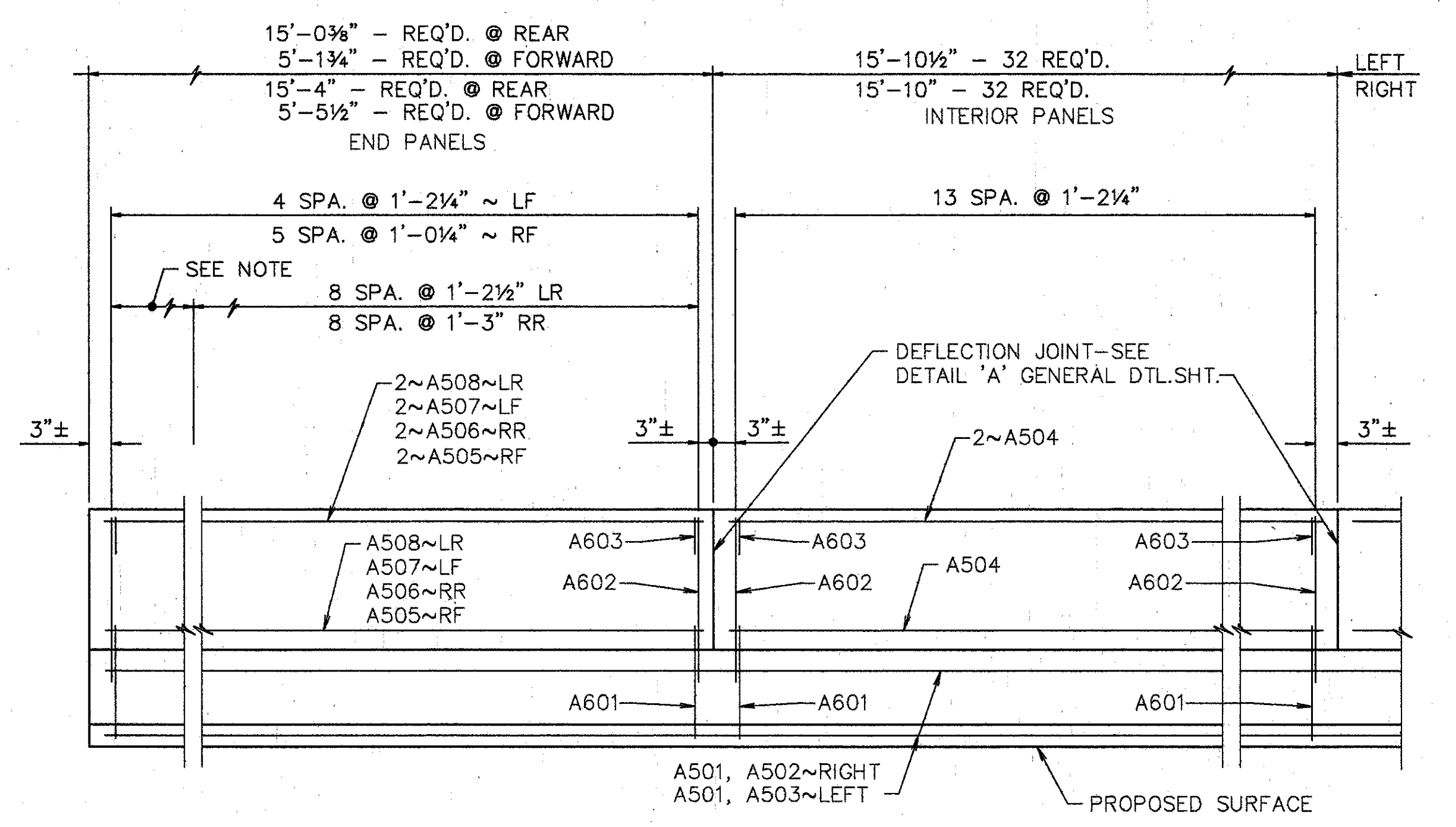
BRIDGE NO. HAM-42-0264R  
 OVER RAMP RF, NORTHBOUND READING RD. AND EDEN PARK ENT.  
 HAMILTON COUNTY

DESIGNED	DRAWN	TRACED	CHECKED	REVIEWED	DATE	REVISED
L.A.T.M.	D.E.E.		M.A.A.	DEM	11/11/94	

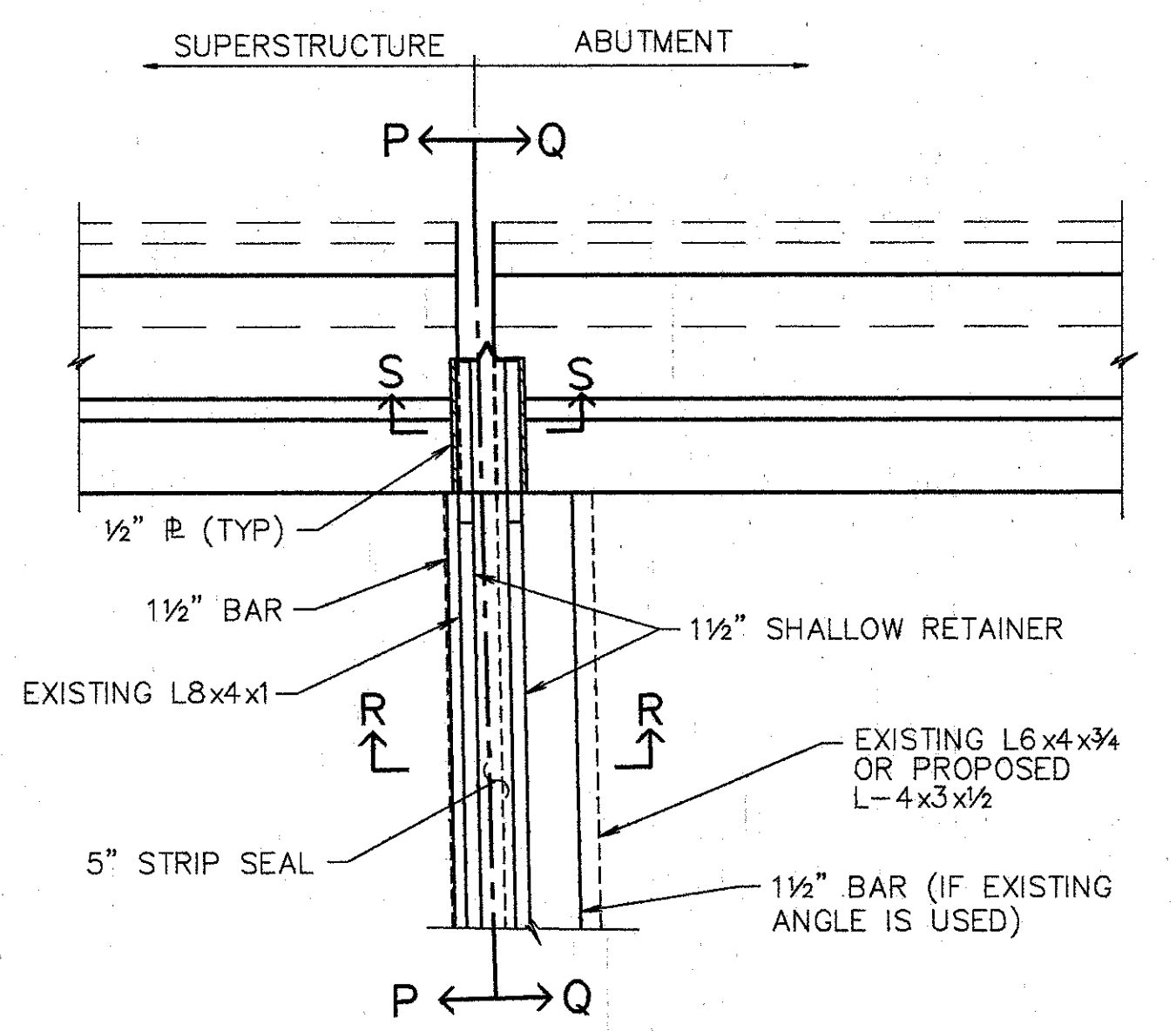
Lot Plot MAY 15, 1991 @ 2:51 PM  
 G:\STV\6508-00\0264R\01.dwg User: Revision By: R.M.J. SPT: 23, 1991 @ 2:01 PM



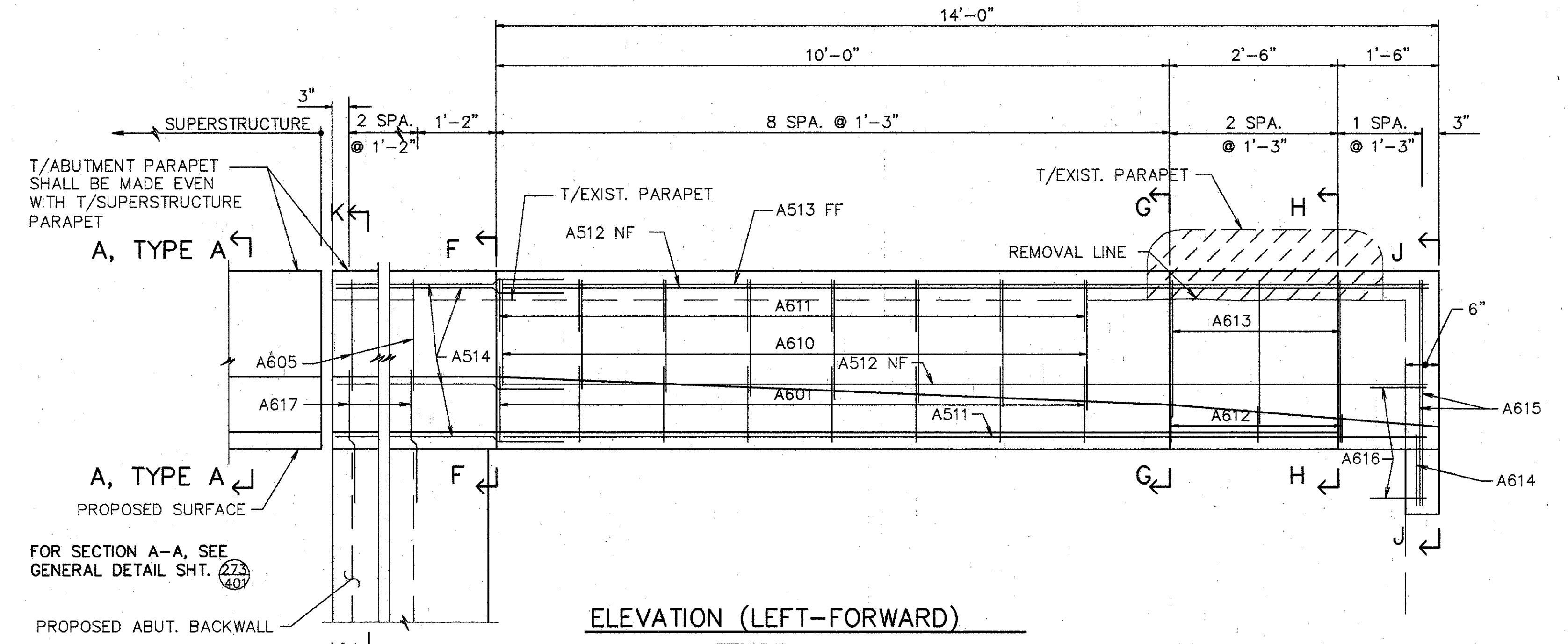
PLAN - LEFT FORWARD ABUTMENT MODIFICATION



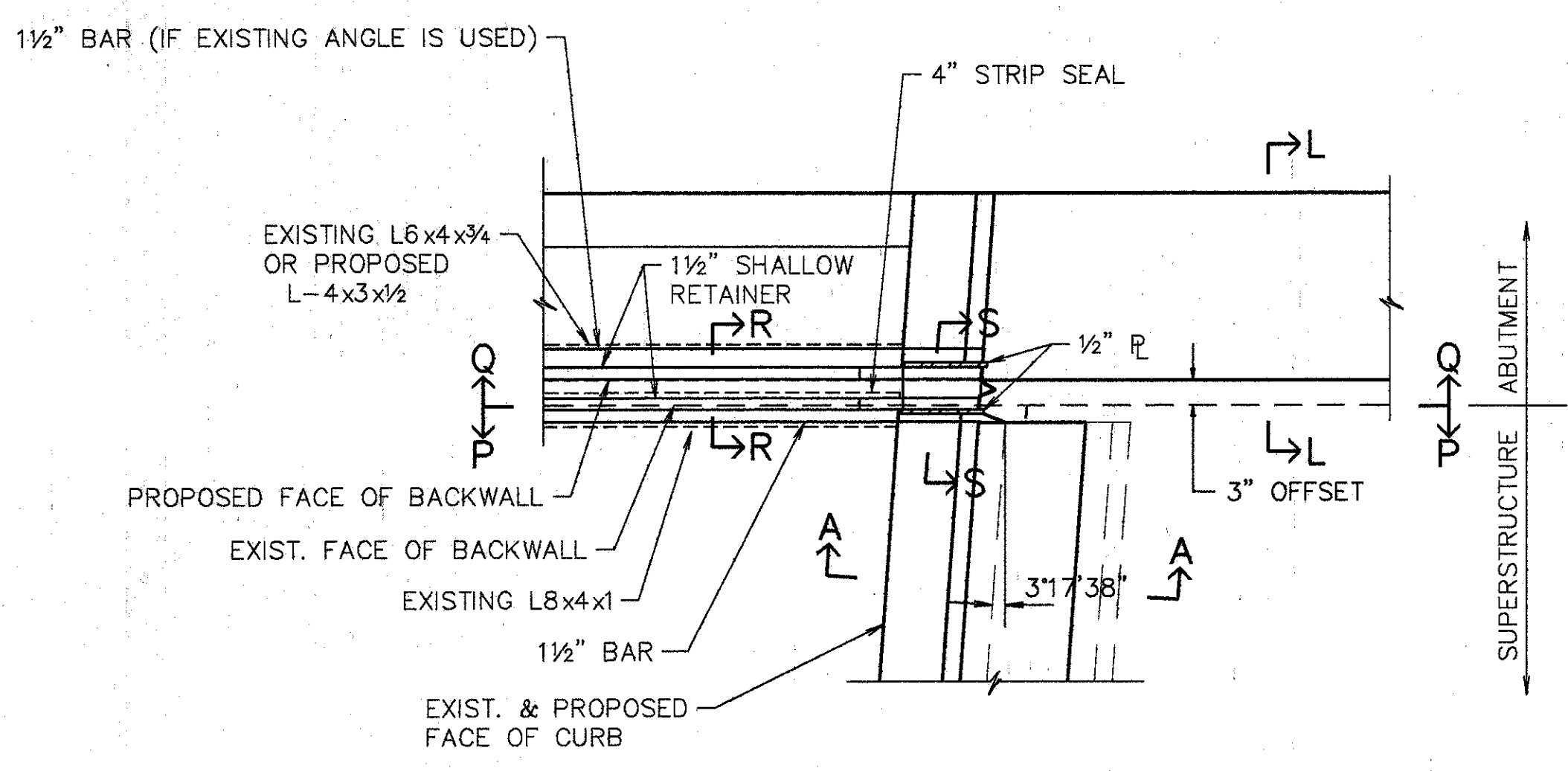
ELEVATION SUPERSTRUCTURE PARAPET



PART PLAN @ LEFT-FORWARD ABUTMENT



ELEVATION (LEFT-FORWARD)



PART PLAN @ RIGHT-FORWARD ABUTMENT

NOTES:  
 1. TYPE "A" WATERPROOFING AT THE BRIDGE LIMIT END OF THE APPROACH SLAB (AS PER STD. DWG. AS-1-81) SHALL BE INCLUDED IN THE PRICE BID FOR ITEM 611 APPROACH SLAB.

NOTES:  
 L DENOTES LEFT SIDE  
 R DENOTES RIGHT SIDE  
 RF DENOTES RIGHT FORWARD  
 LF DENOTES LEFT FORWARD  
 RR DENOTES RIGHT REAR  
 LR DENOTES LEFT REAR  
 NF DENOTES NEAR FACE  
 FF DENOTES FAR FACE  
 EF DENOTES EACH FACE

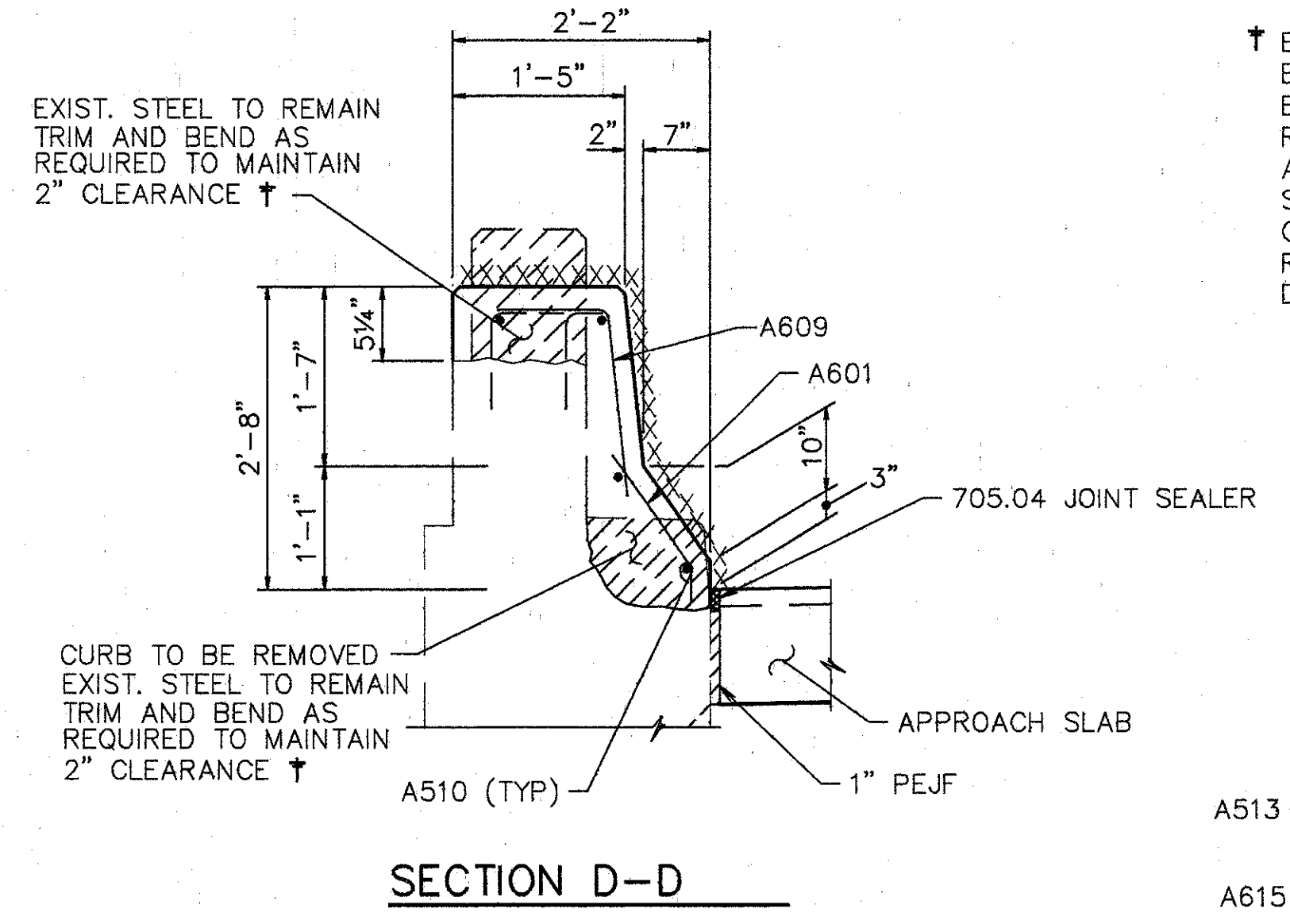
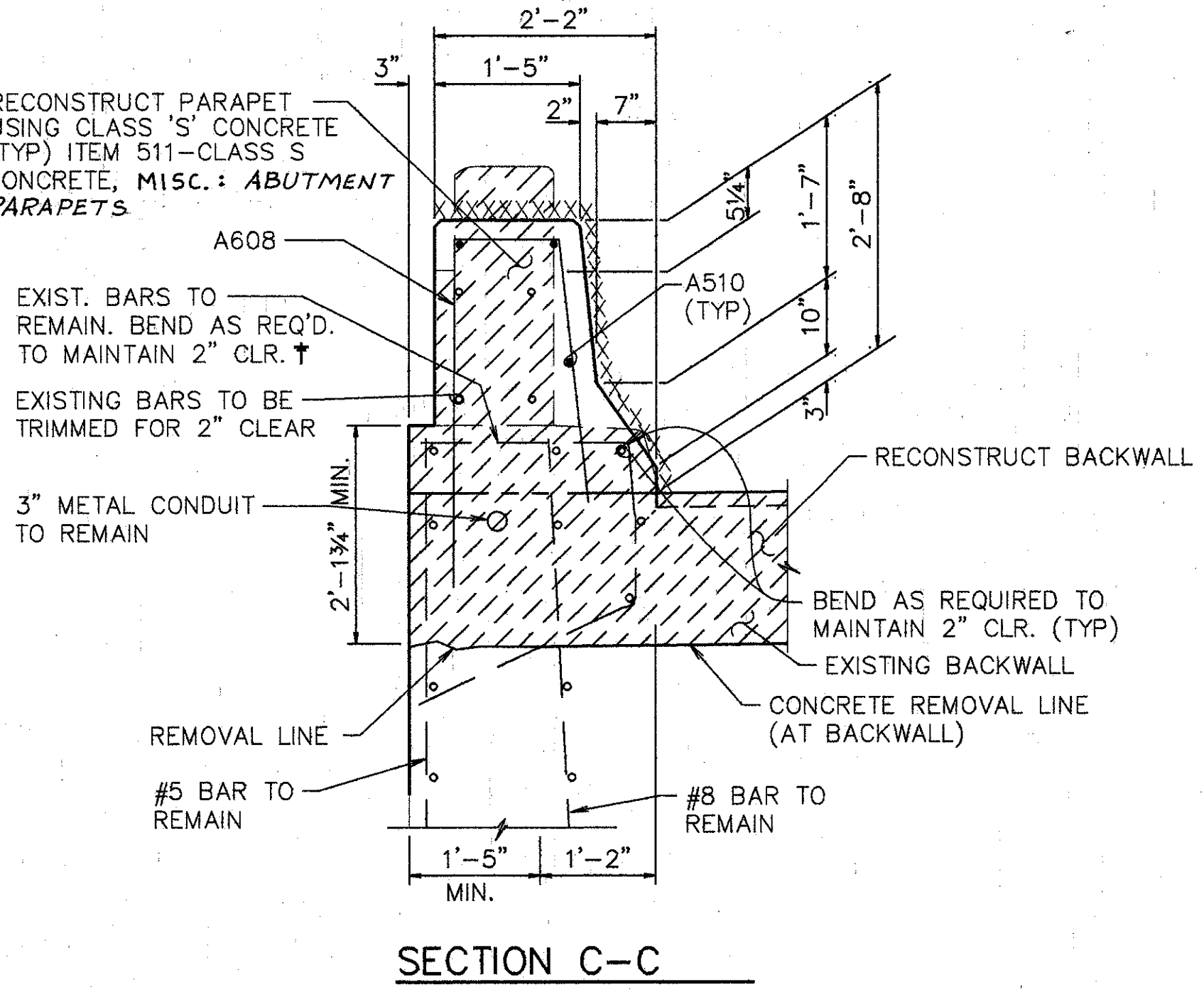
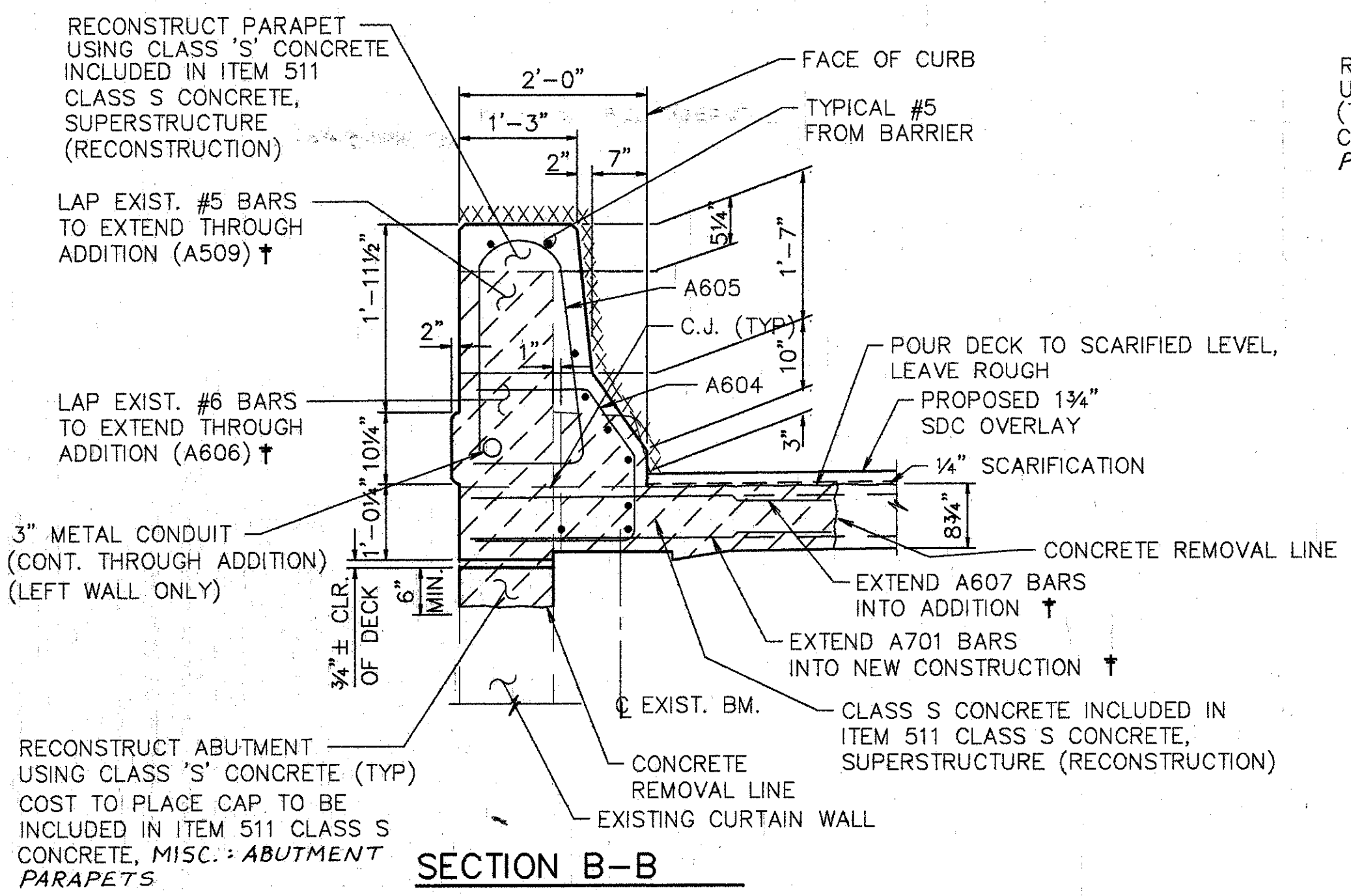
**WOOLPERT CONSULTANTS**  
 409 E. MONUMENT AVENUE  
 DAYTON, OHIO 45402-1226  
 (513) 461-5660

**ABUTMENT PLAN & PARAPET ELEVATIONS**  
 BRIDGE NO. HAM-42-0264R  
 OVER RAMP RF, NORTHBOUND READING RD. AND EDEN PARK ENT.  
 HAMILTON COUNTY

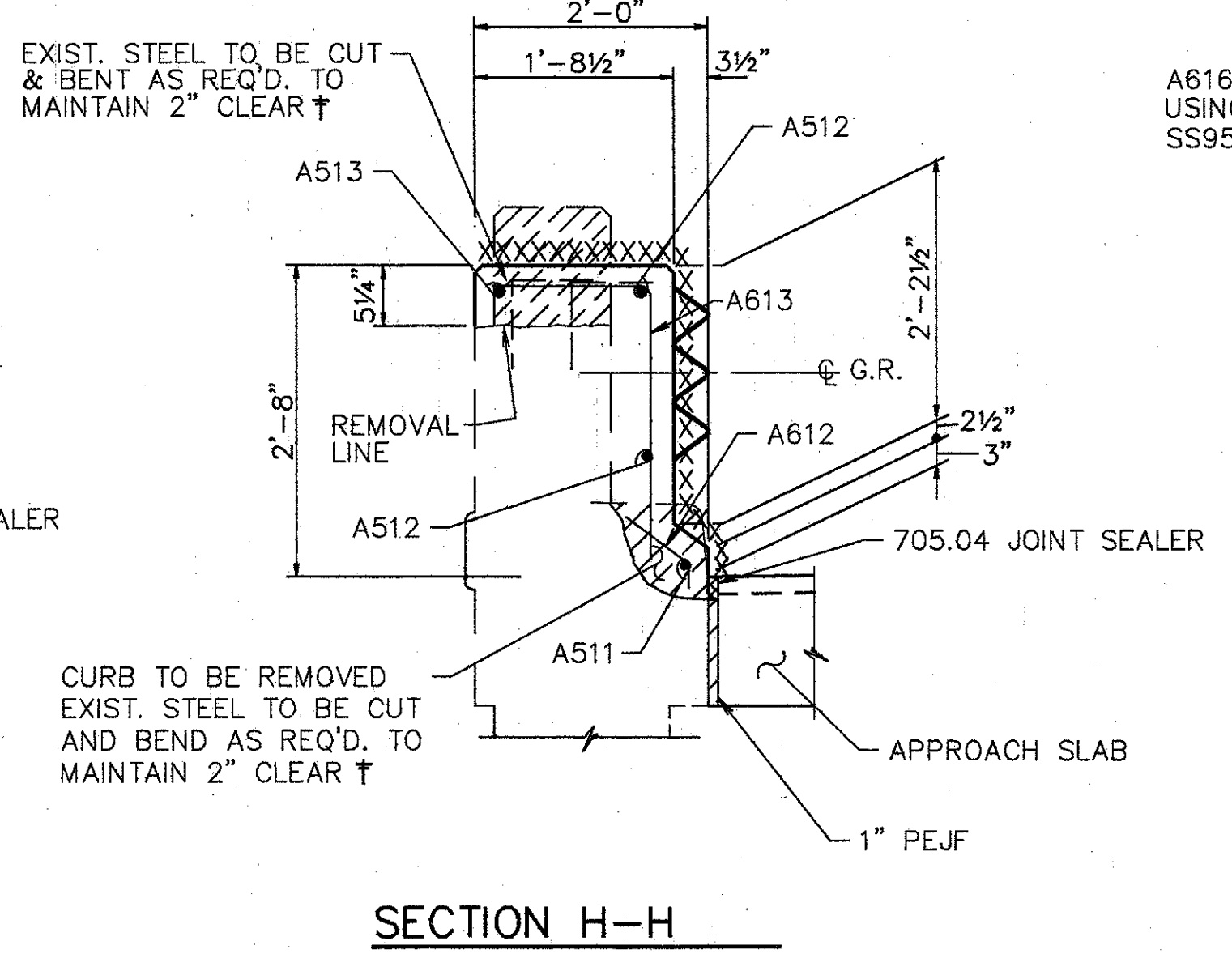
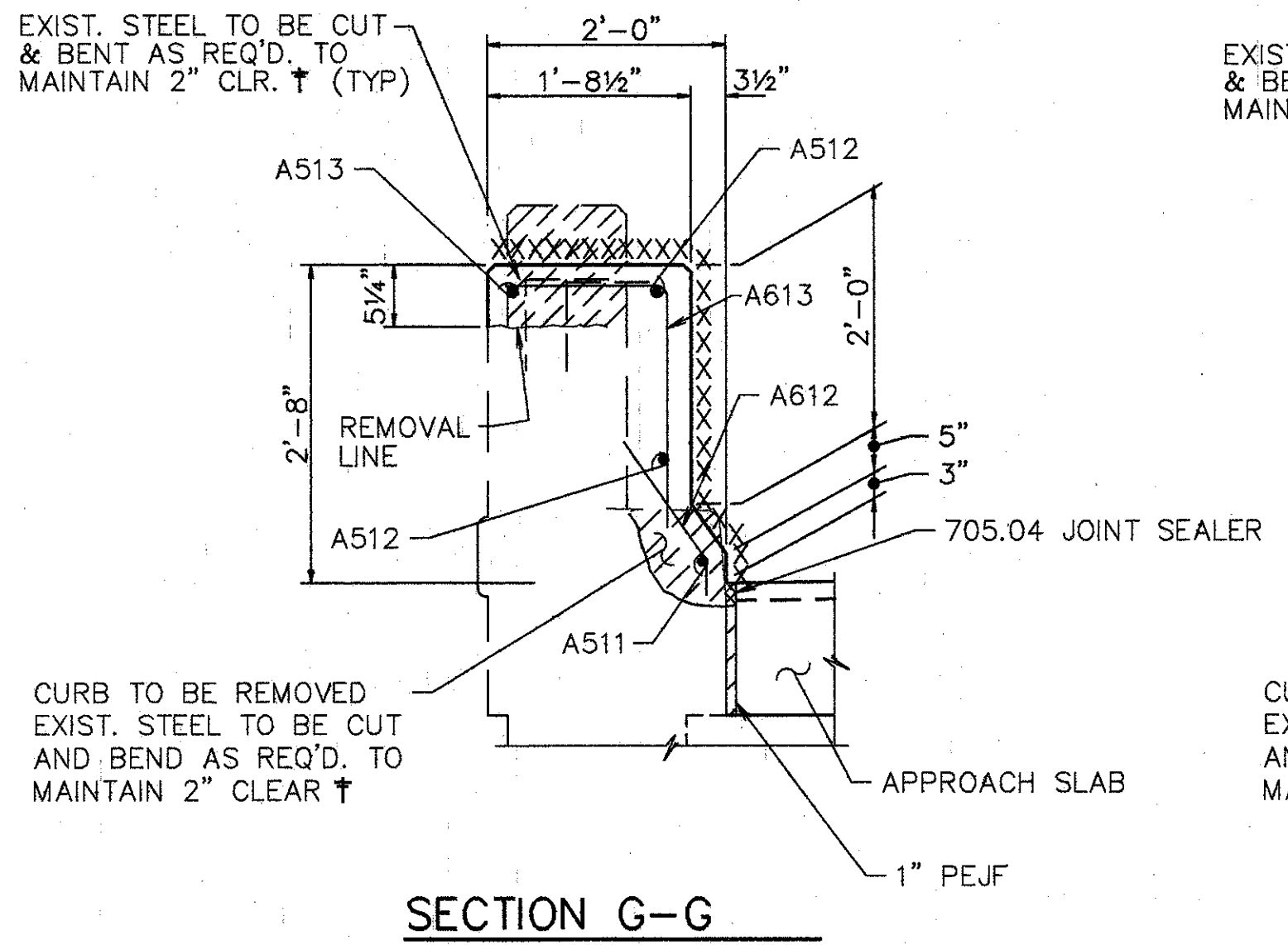
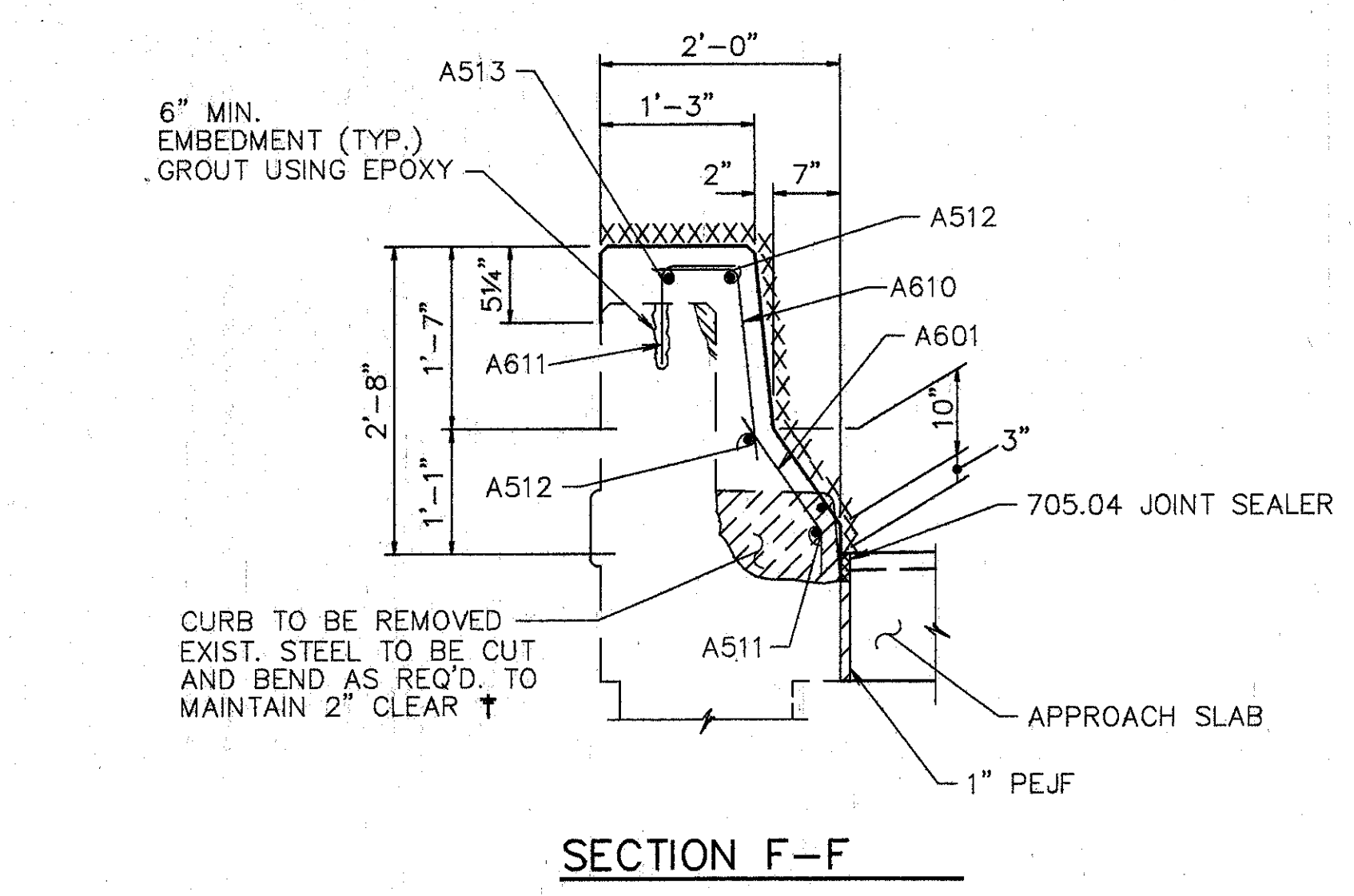
DESIGNED	DRAWN	TRACED	CHECKED	REVIEWED	DATE	REVISED
L.A.T.M.	D.E.E.		M.A.A.	DEM	11/11/94	

Last File: May 15, 1994 @ 2:54 PM  
 G:\STN\1994-03\CONTRACTS\131\Rev\Rev131.dwg

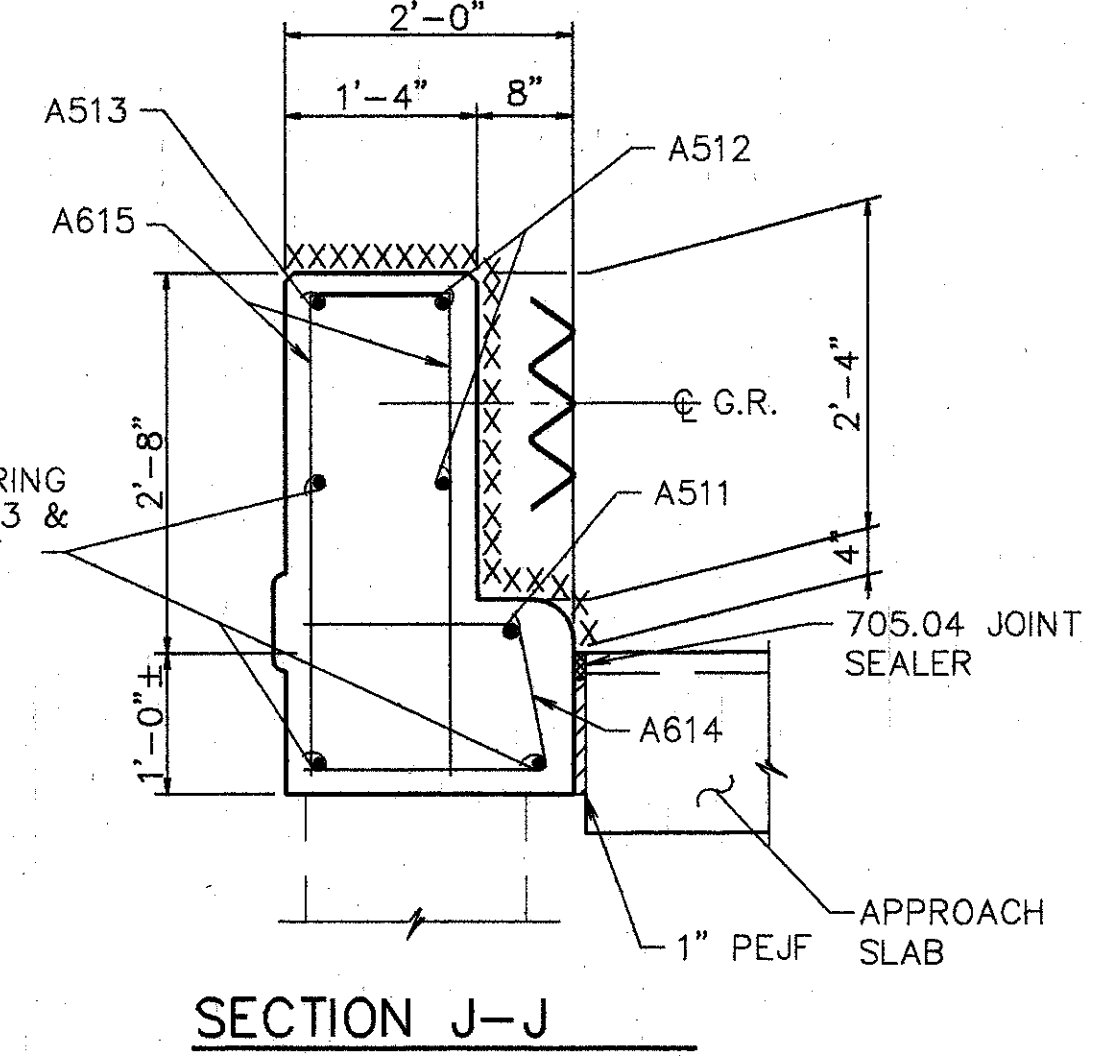




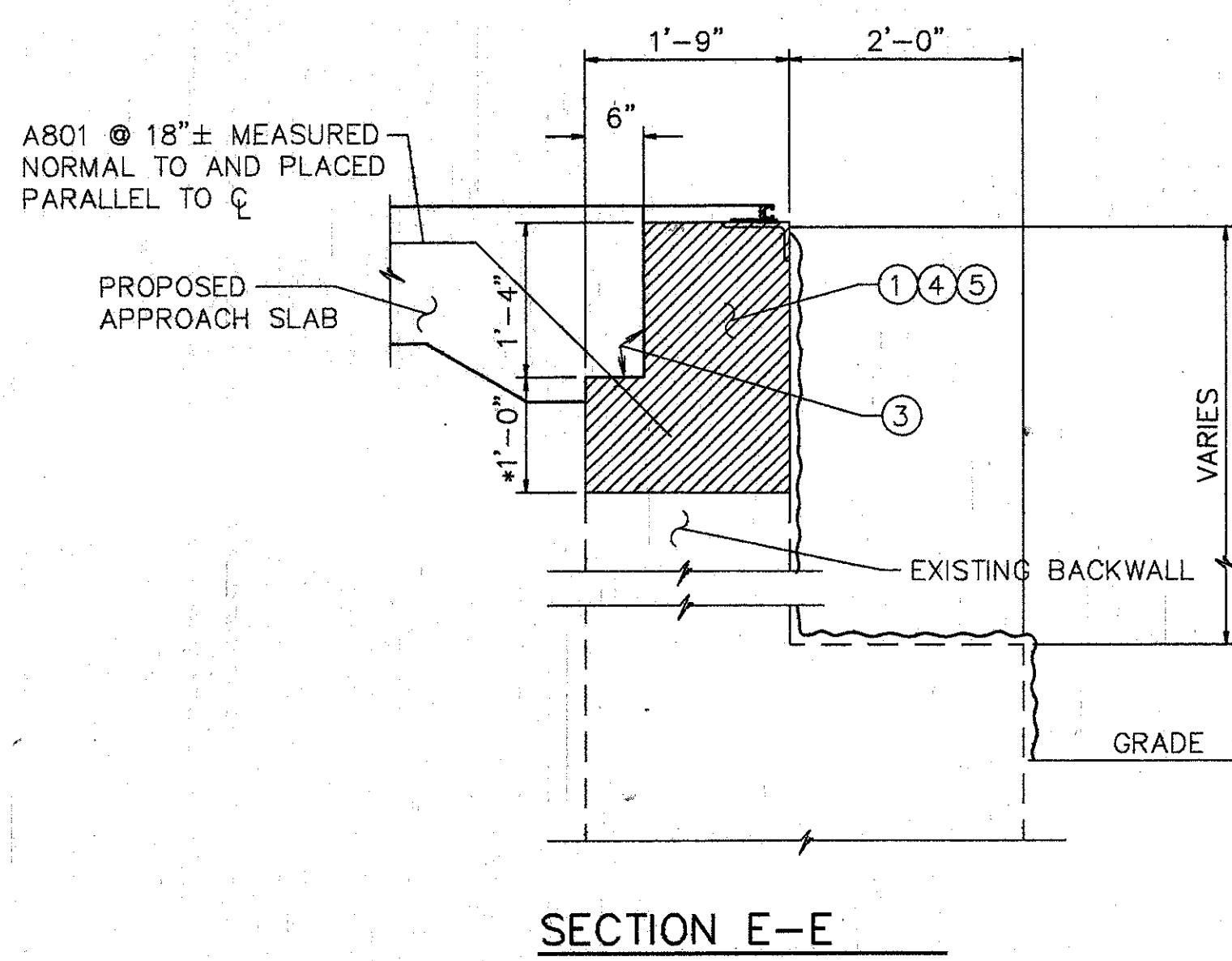
† BARS SHALL REMAIN. CONTRACTOR SHALL EXERCISE CAUTION TO ENSURE THAT THESE BARS ARE NOT DAMAGED DURING THE CONCRETE REMOVAL OPERATION. ANY BARS DAMAGED AS A RESULT OF THE CONTRACTOR'S OPERATION SHALL BE REPLACED OR REPAIRED BY THE CONTRACTOR AT HIS EXPENSE. METHOD OF REPAIR OR REPLACEMENT WILL BE AT THE DISCRETION OF THE DIRECTOR.



A616 (UNO) GROUT ANCHORING USING EPOXY AS PER SS853 & SS956. 6" MIN. EMBEDMENT

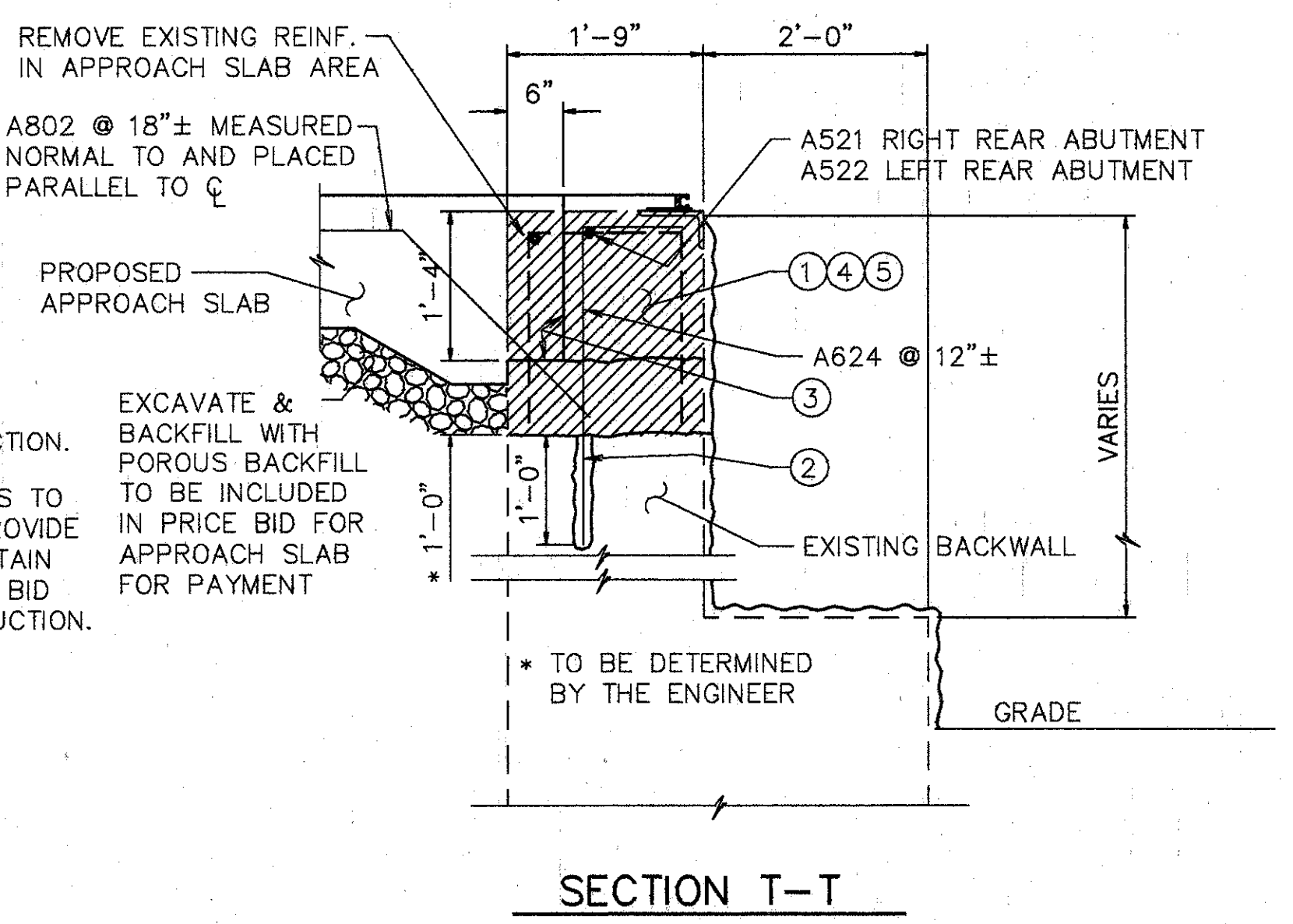


- EXISTING CURB AND PARAPET TO BE REMOVED UNDER ITEM 202, PORTIONS OF STRUCTURES REMOVED.
- EXISTING RAILING & POSTS TO BE REMOVED & STACKED NEATLY ALONG THE RIGHT OF WAY FOR DISPOSAL BY THE CONTRACTOR. ALL WORK SHALL BE INCLUDED IN THE PRICE BID FOR ITEM 202, PORTIONS OF STRUCTURE REMOVED.
- XXXXXX SURFACES TO BE SEALED UNDER ITEM SPECIAL, SEALING OF CONCRETE SURFACES.
- SURFACE TO BE SEALED UNDER ITEM SPECIAL, SEALING OF CONCRETE SURFACES, EPOXY.



**NOTES FOR SECTION E-E & T-T**

- 1 EXISTING REINFORCING STEEL TO REMAIN ~ REINFORCING STEEL DAMAGED TO BE REPLACED AT CONTRACTORS EXPENSE.
- 2 1' MIN. EMBEDMENT (SEE DOWEL HOLE GENERAL NOTE) ITEM 510.
- 3 TYPE 'A' WATERPROOFING (PAYMENT INCLUDED IN THE PRICE BID FOR APPROACH SLAB).
- 4 CLASS 'C' CONCRETE, ABUTMENT RECONSTRUCTION.
- 5 PROVIDE CONTRACTION AND EXPANSION JOINTS TO MATCH THOSE IN EXISTING BACKWALL AND PROVIDE CONSTRUCTION JOINTS AS REQUIRED TO MAINTAIN TRAFFIC. PAYMENT TO BE INCLUDED IN PRICE BID FOR ITEM 511 CLASS C CONCRETE RECONSTRUCTION.



- EXISTING CONCRETE TO BE REMOVED INCLUDE IN ITEM 202 FOR PAYMENT.
- SURFACE TO BE SEALED UNDER ITEM SPECIAL- SEALING OF CONCRETE SURFACE, EPOXY.

- NOTES:**
1. TYPE 'A' WATERPROOFING AT THE BRIDGE LIMIT END OF THE APPROACH SLAB (AS PER STD. DWG. AS-1-81) SHALL BE INCLUDED IN THE PRICE BID FOR ITEM 611 APPROACH SLAB.
  2. FOR ADDITIONAL SECTIONS SEE SHEET 2&5 / 7

**WOOLPERT CONSULTANTS**  
 409 E. MONUMENT AVENUE  
 DAYTON, OHIO 45402-1226  
 (513) 461-5660

**PARAPET SECTIONS**

BRIDGE NO. HAM-42-0264R  
 OVER RAMP RF, NORTHBOUND READING RD. AND EDEN PARK ENT.  
 HAMILTON COUNTY

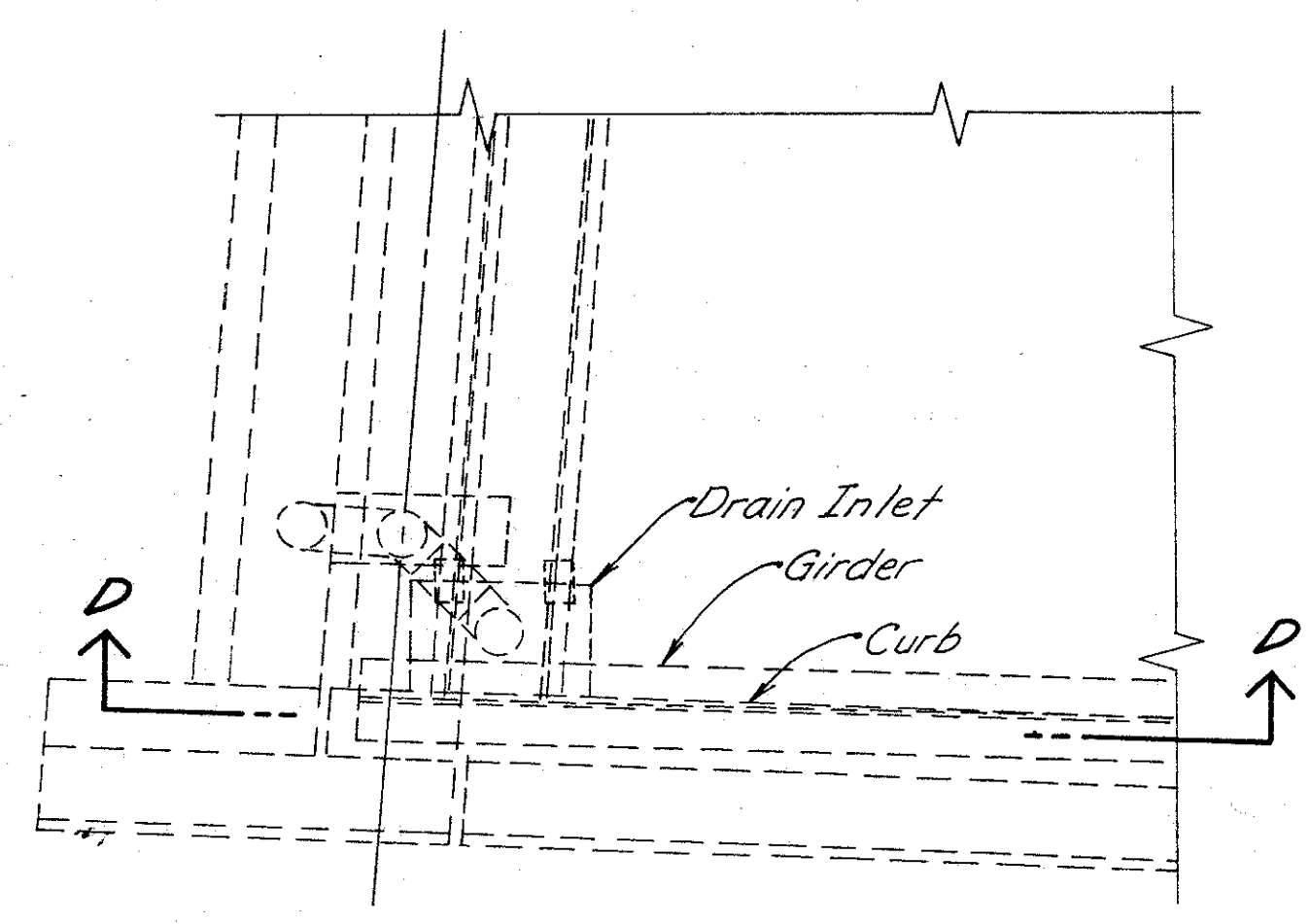
DESIGNED	DRAWN	TRACED	CHECKED	REVIEWED	DATE	REVISED
L.A.T.M.	D.E.E.		M.A.A.	DEM	11/11/94	



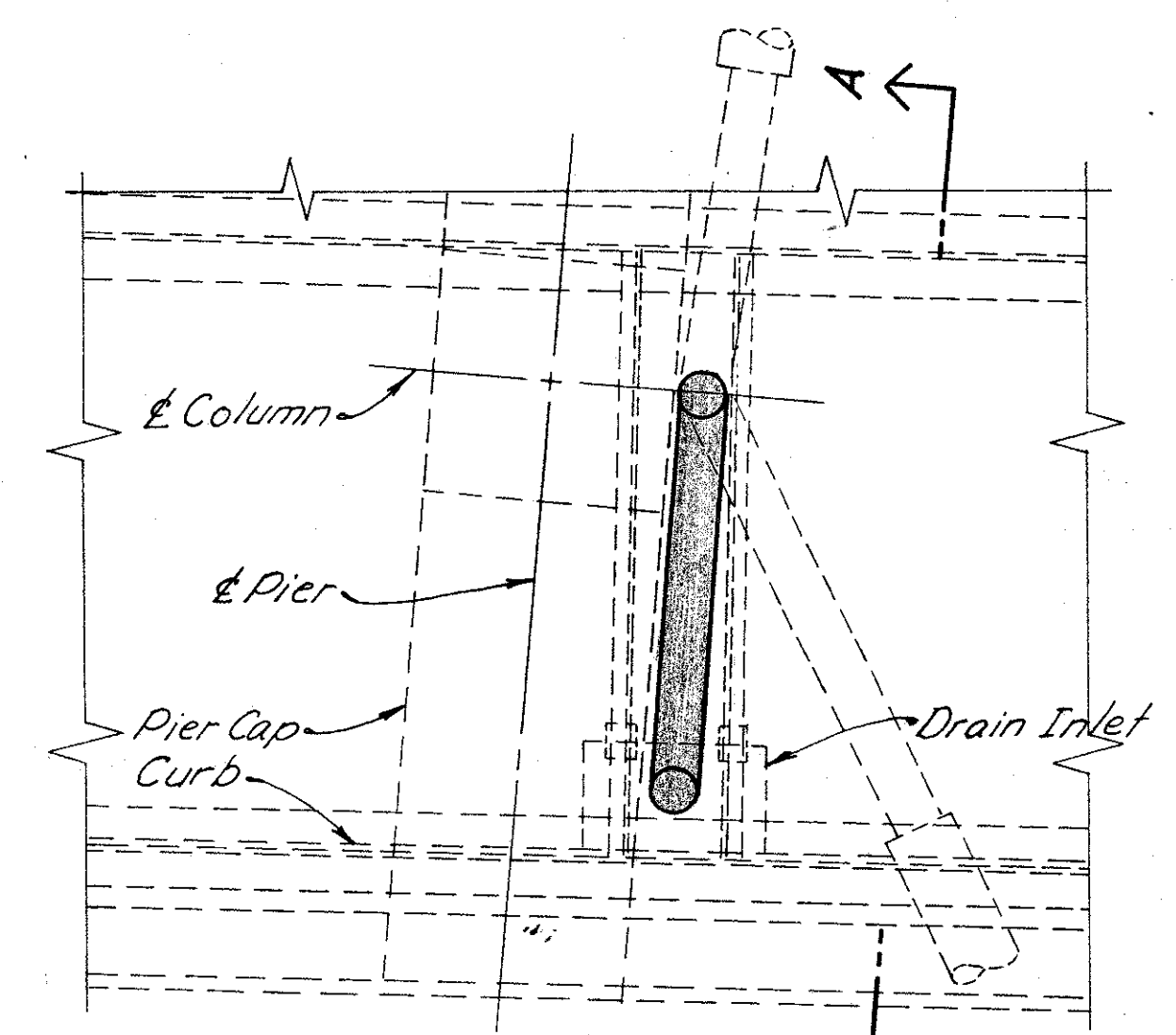




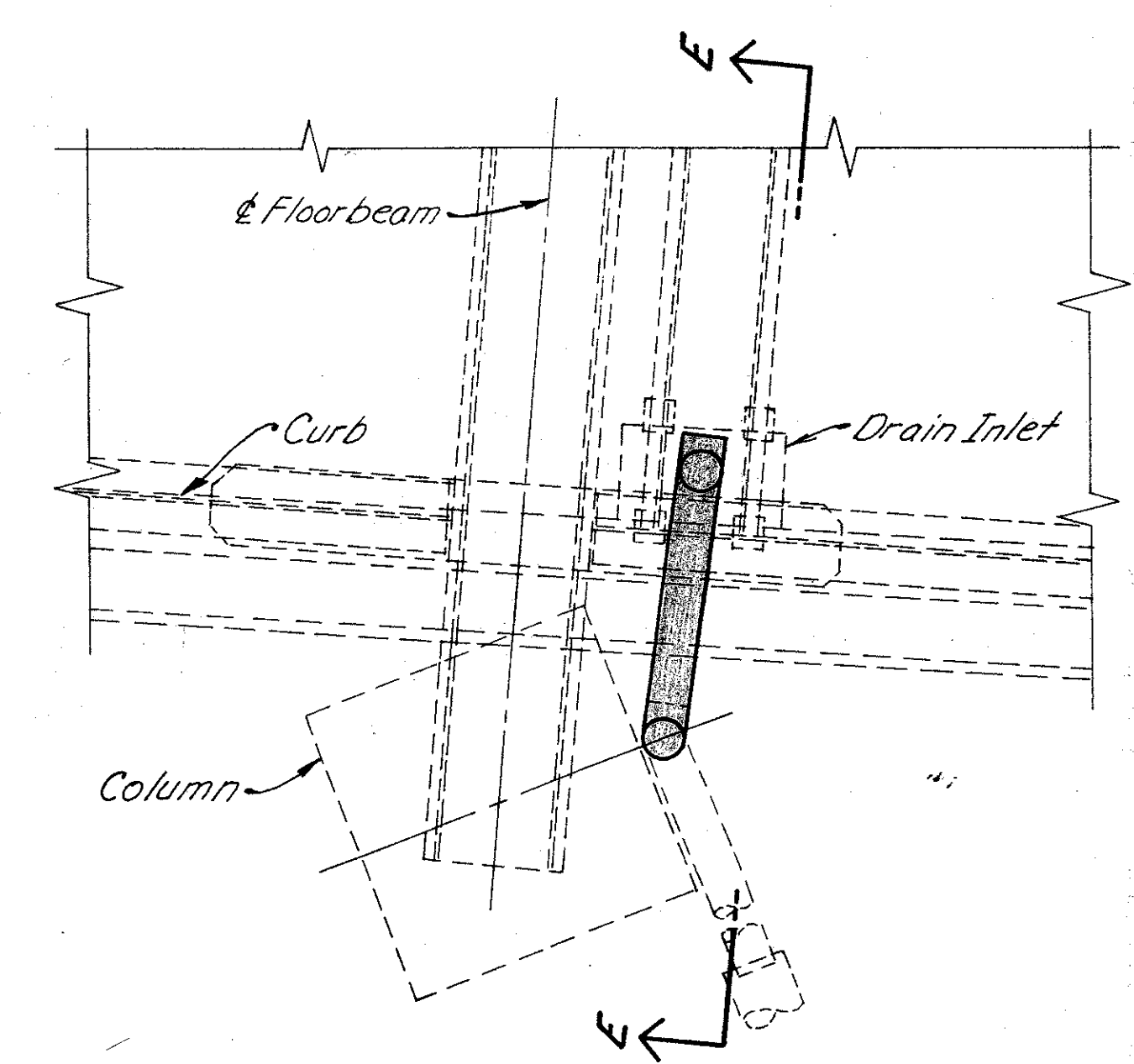
HAM-71-130/9.00



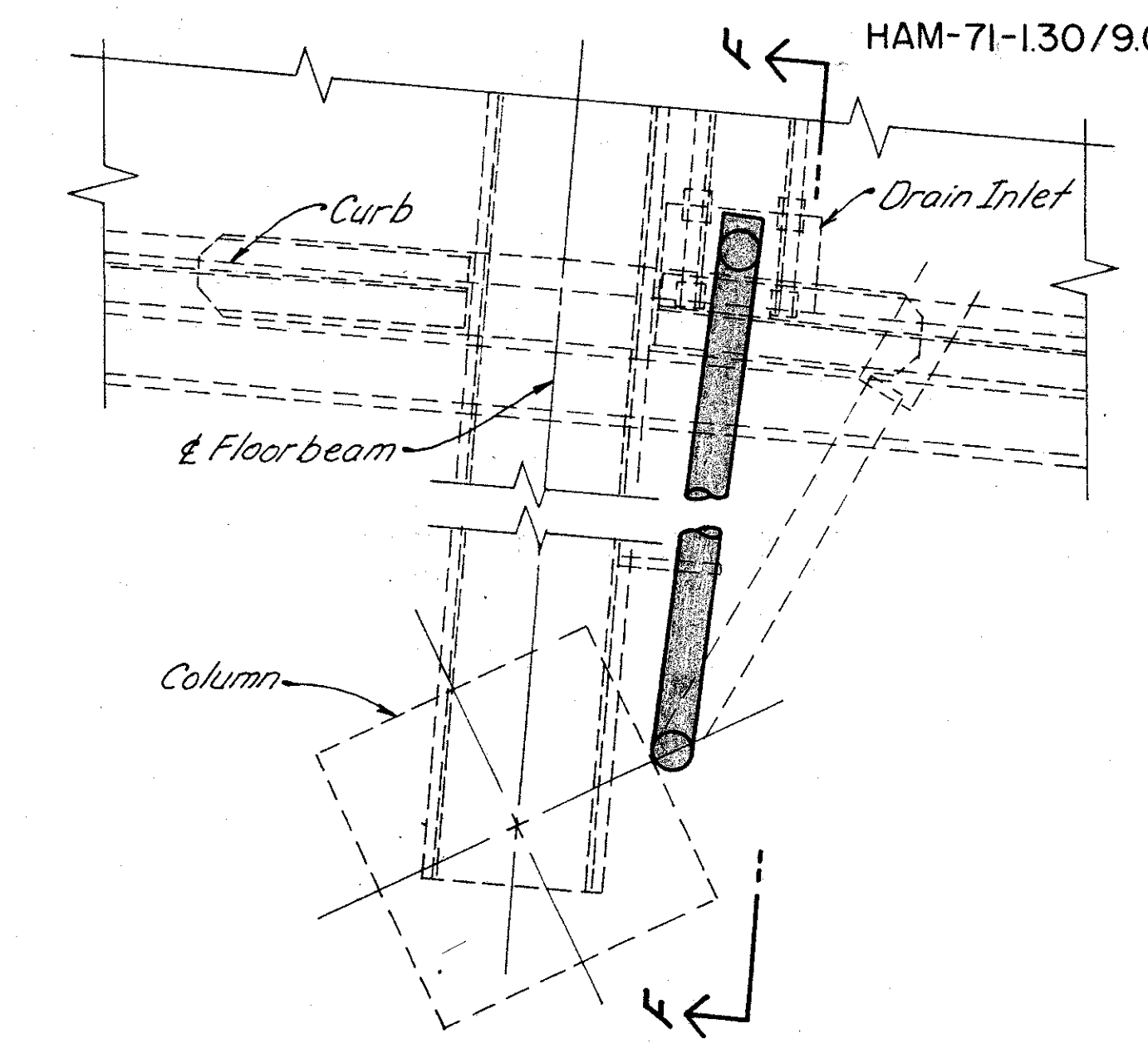
**PLAN FOR DRAIN INLET AT SOUTH ABUTMENT**  
(No Work Req'd)



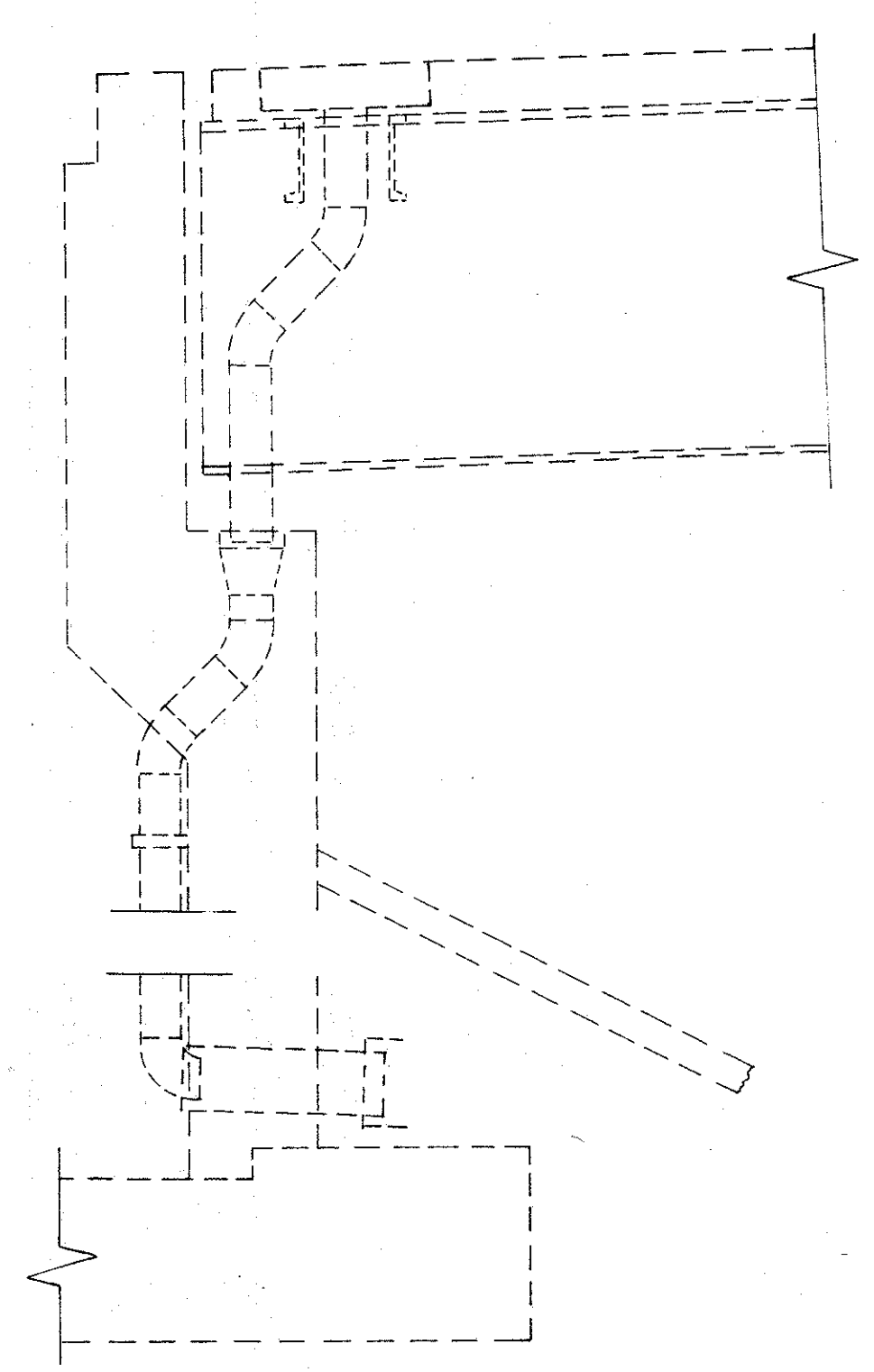
**PLAN FOR DRAIN INLET AT PIER 1**  
(Pier 5 Similar)



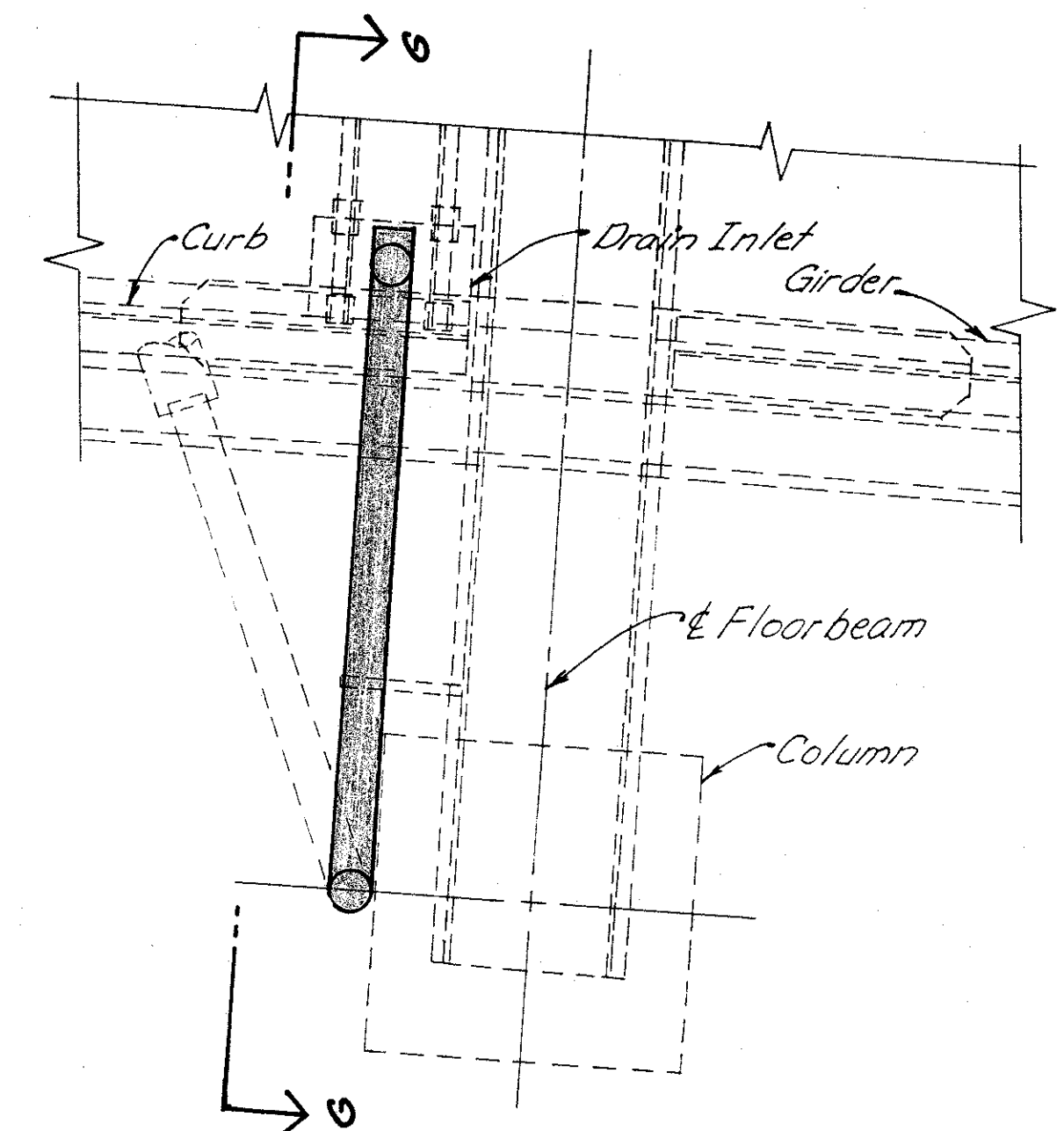
**PLAN FOR DRAIN INLET AT PIER 2**



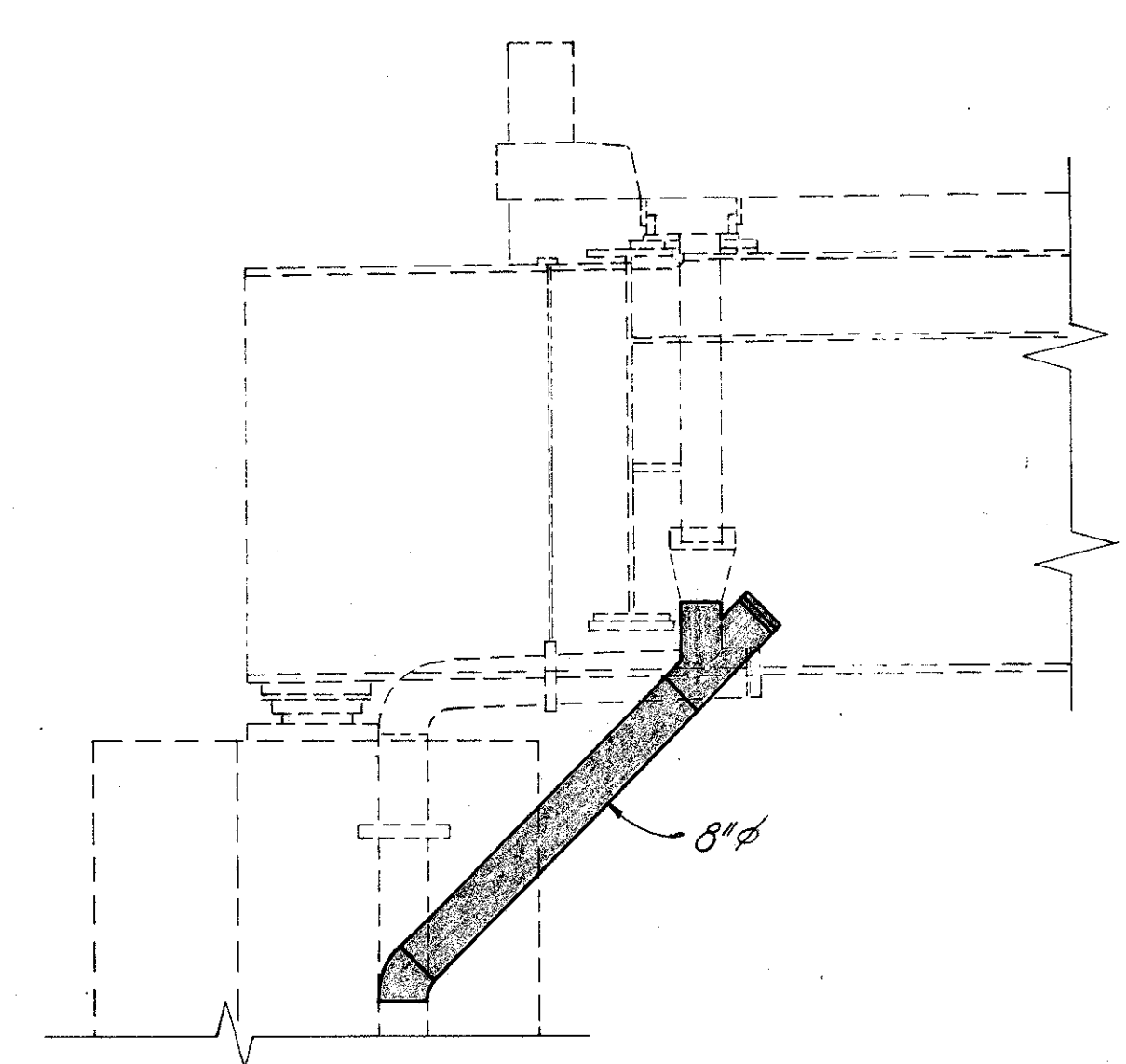
**PLAN FOR DRAIN INLET AT PIER 3**



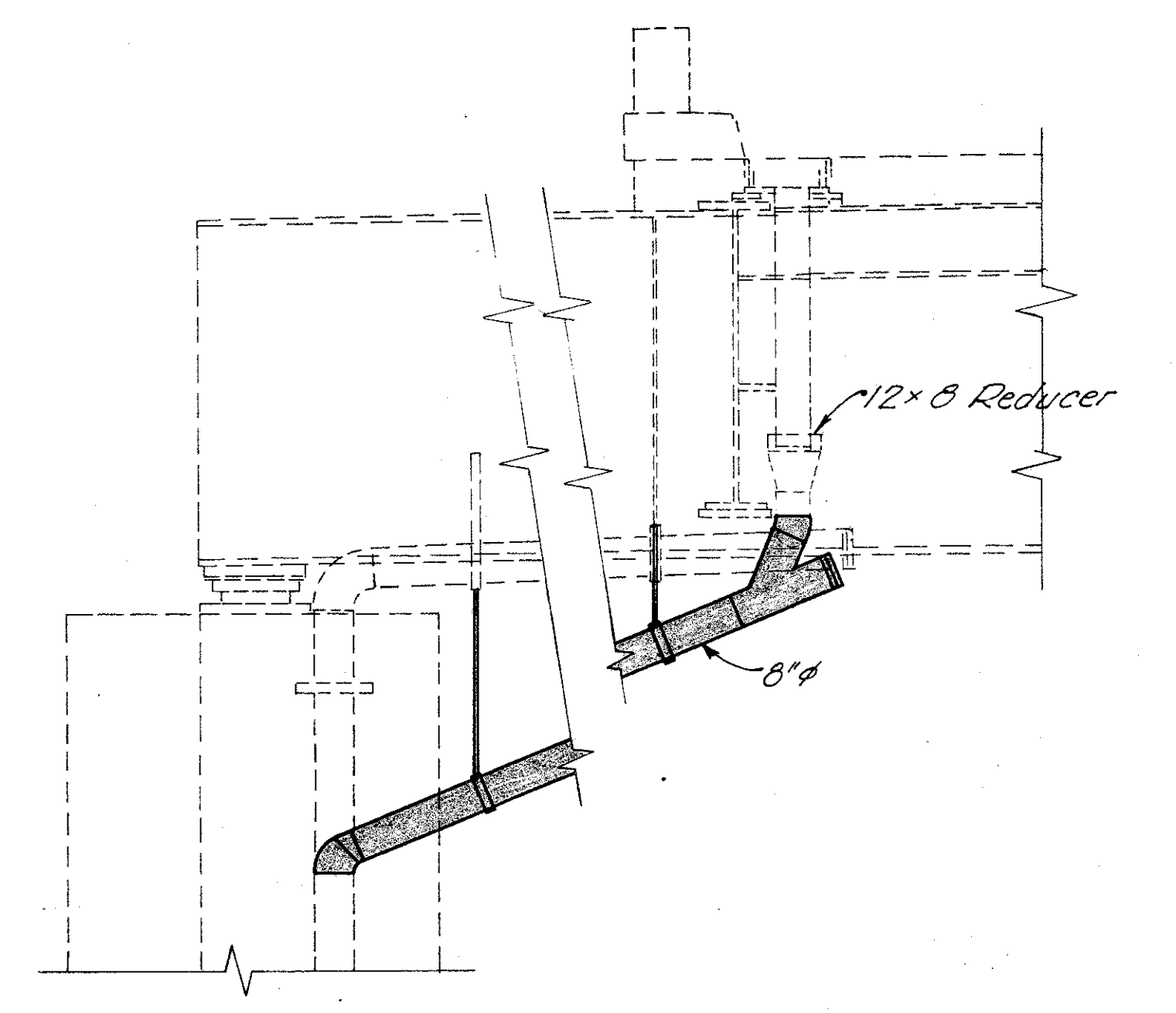
**SECTION D-D**



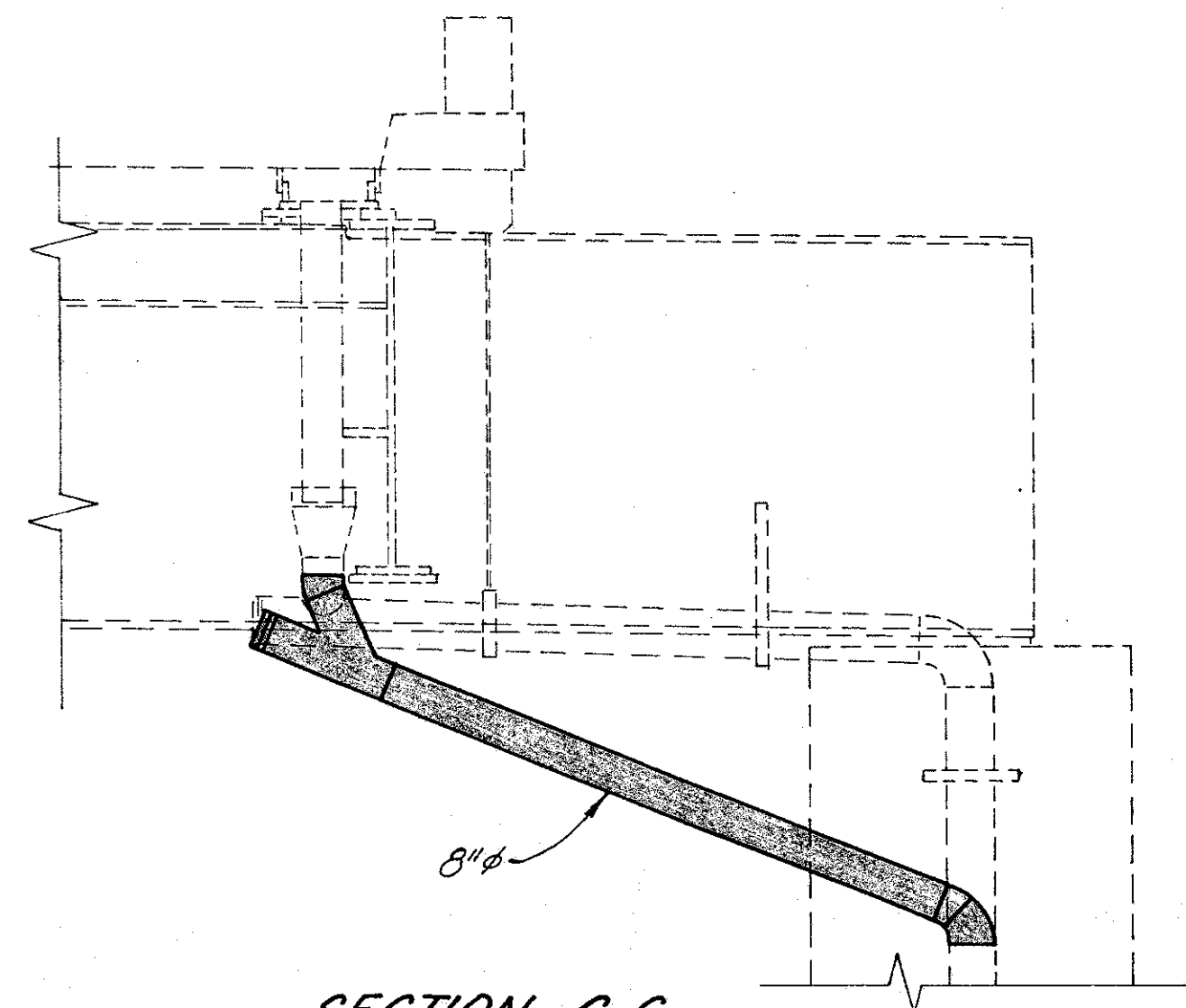
**PLAN FOR DRAIN INLET AT PIER 4**



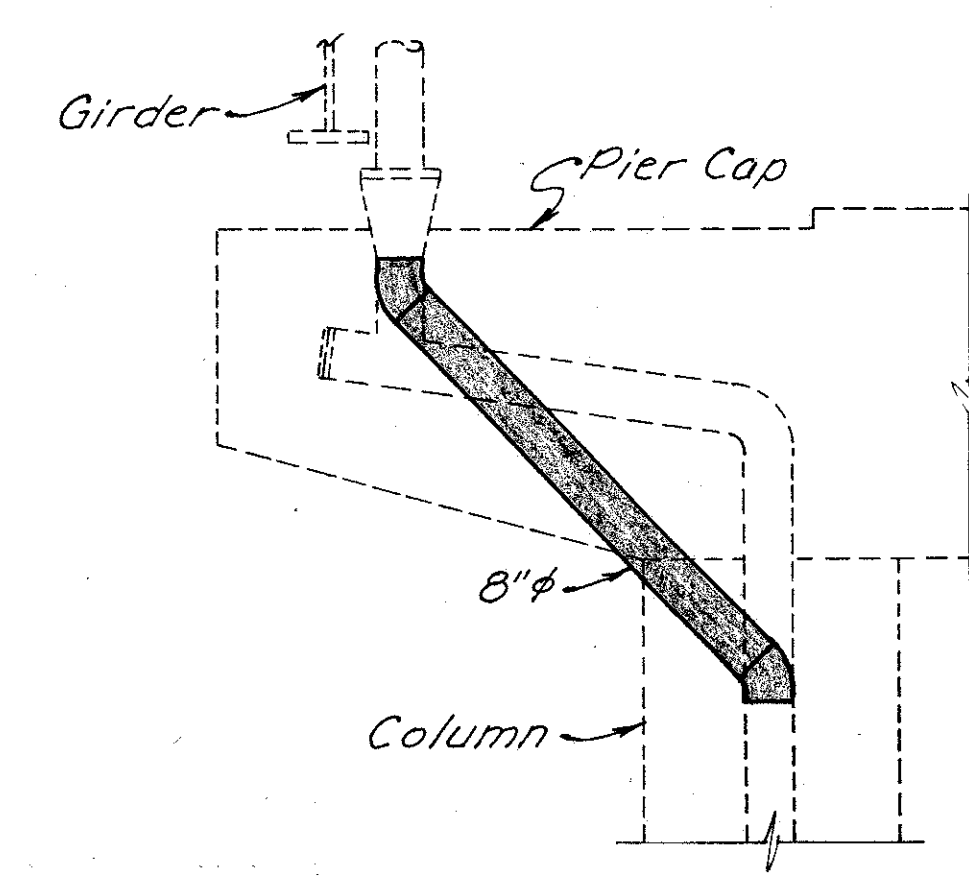
**SECTION E-E**



**SECTION F-F**



**SECTION G-G**



**SECTION A-A**

- For drainage piping requirements see General Notes on sheet 273/401
- Approximate No of Linear Feet of proposed 8" pipe (including specials) = 106

**WOOLPERT CONSULTANTS**  
409 East Monument Avenue  
Dayton, Ohio 45402-1226

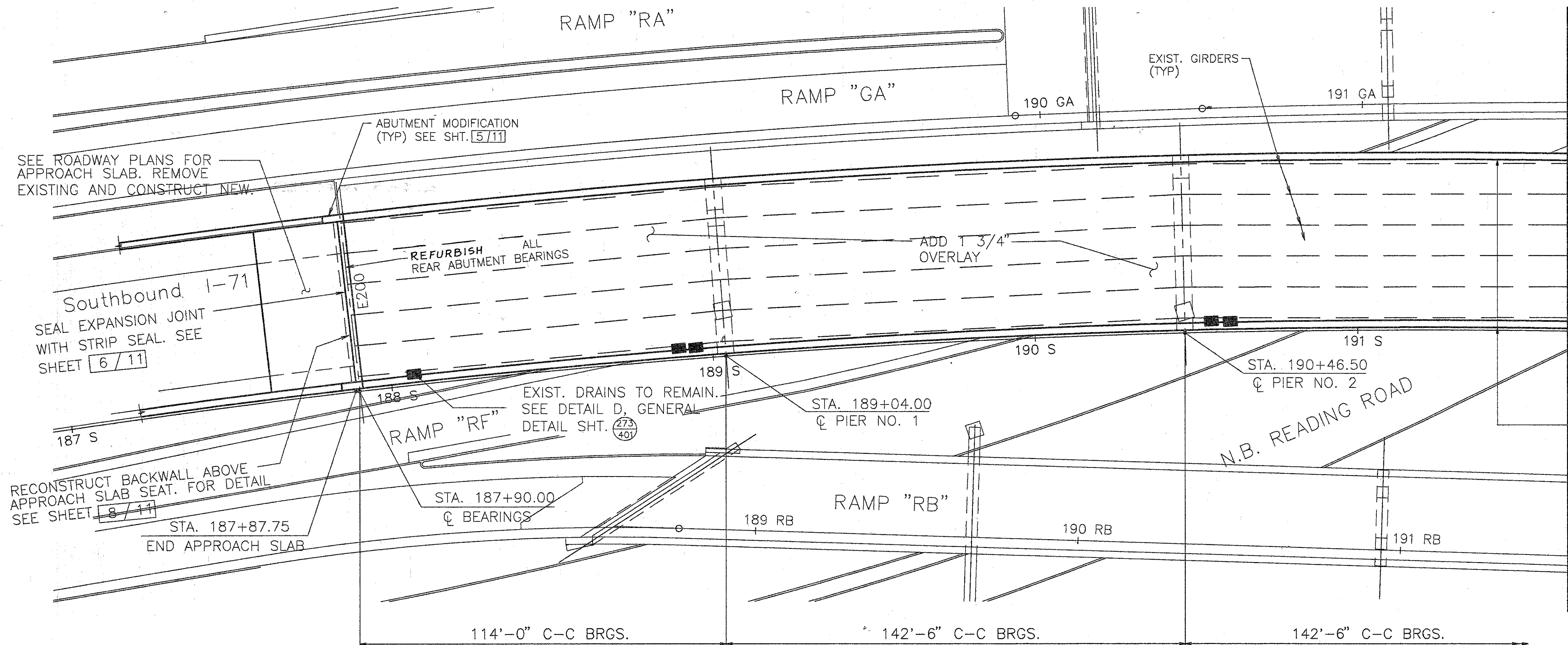
**DRAINAGE DETAILS**

BRIDGE NO. HAM-42-0264 R  
OVER READING ROAD

HAMILTON COUNTY

DESIGNED	DRAWN	TRACED	CHECKED	REVIEWED	DATE	REVISED
L.A.T.M.	RACH		DE.M.	P.W.G.	11/11/94	





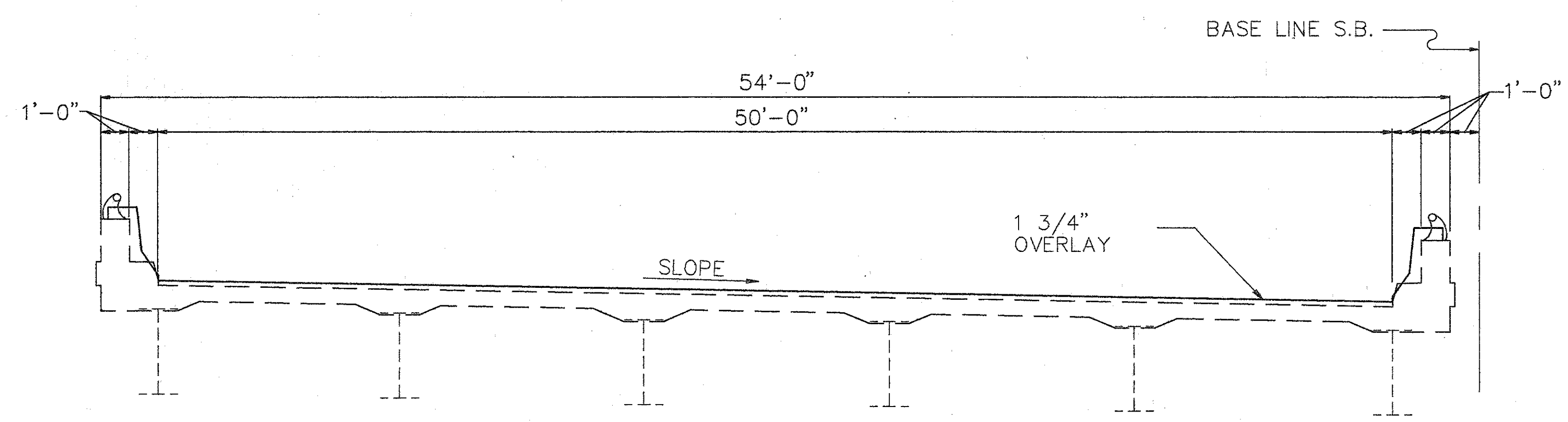
MATCH LINE

MODIFY BRIDGE RAILING.  
SEE SECTION A-A TYPE "A"  
GENERAL DETAIL SHEET 273/401  
FOR ELEVATION SEE SHT. 5/11

- NOTE: 1. SEAL PARAPETS, BACKWALLS, AND PIERS.  
2. SEE JUNCTION BOX EXTENSION DETAIL GENERAL DETAIL SHT. 273/401 FOR BARRIER RETROFIT AT JUNCTION BOXES.

SLIDING R. SIZE	JACK CAPACITY REQ'D. (MIN)
E200	125 TON
E150	125 TON

PLAN



TYPICAL BRIDGE SECTION

EXISTING STRUCTURE

TYPE: CONTINUOUS STEEL PLATE GIRDERS WITH REINFORCED CONCRETE DECK & SUBSTRUCTURE  
 SPANS: 114'-0", 142'-6", 142'-6", 98'-0", 90'-6", 94'-6", 68'-6" (SPAN LENGTHS MEASURED ALONG R)  
 ROADWAY: 50'-0" F/F CURBS W/1'-0" CURBS =52'-0" F/F PARAPETS  
 SKEW: 90°(TANGENT TO CURVE)  
 LOADING FREQUENCY: CF=2000(57) ADEQUATE FOR AASHO ALTERNATE LOADING  
 WEARING SURFACE: 1" MONOLITHIC CONCRETE  
 APPROACH SLABS: AS-1-54 (25'-0" LONG)  
 ALIGNMENT: VARIES, SEE PLAN  
 SUPERELEVATION: VARIES, SEE PLAN

**WOOLPERT CONSULTANTS**  
 409 E. MONUMENT AVENUE  
 DAYTON, OHIO 45402-1226  
 (513) 461-5660

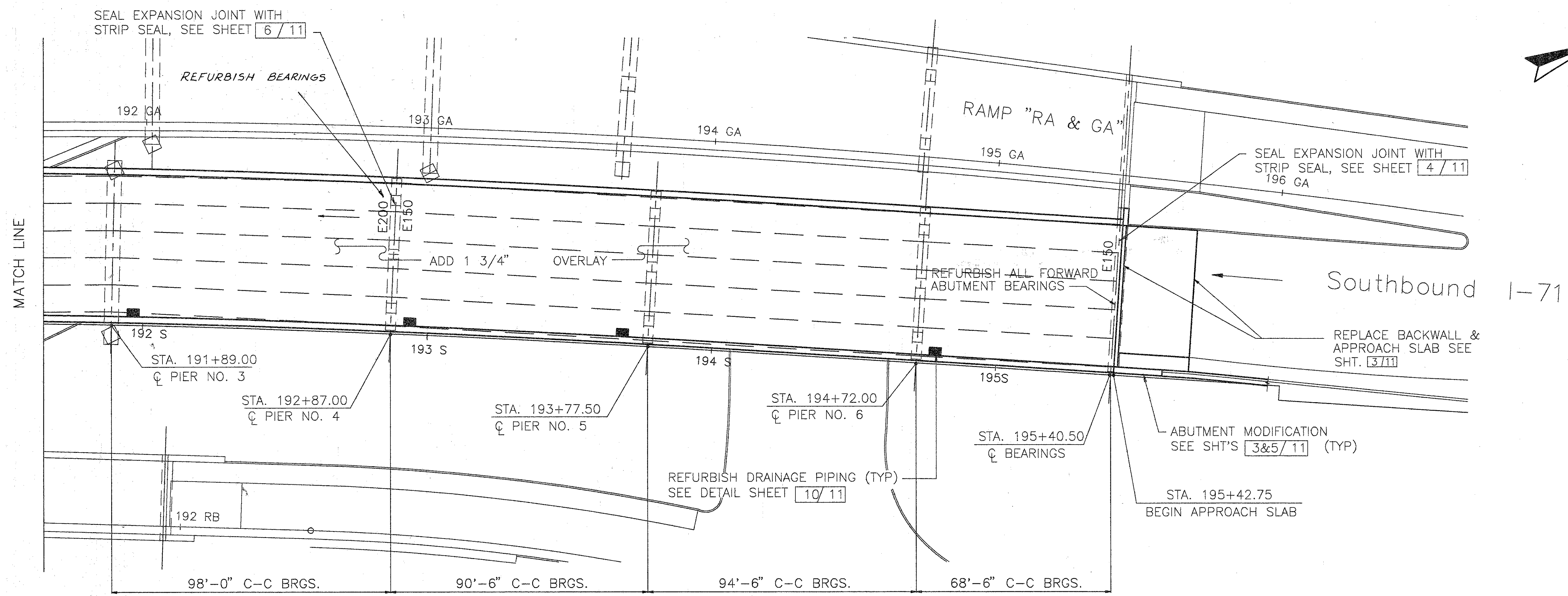
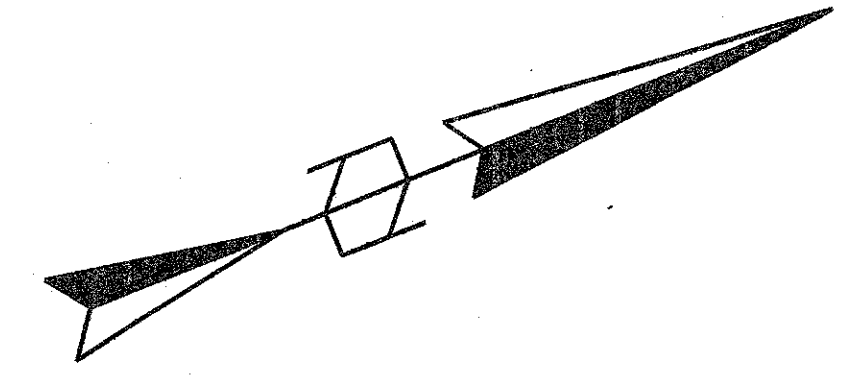
GENERAL PLAN

BRIDGE NO. HAM-71-0243L  
 OVER N.B. READING ROAD

HAMILTON COUNTY

DESIGNED	DRAWN	TRACED	CHECKED	REVIEWED	DATE	REVISED
L.A.T.M.	D.E.E.		M.A.A.	D.E.M11/11/94		

Last Plot: MAY 15, 1991 @ 8:29 PM  
 G:\STRA\6596-03\SHLAND\ZALSHIT.Lot1 Revision By: D.E.E. APR. 5, 1994 @ 8:34 AM




PLAN

- NOTES:**
- SEAL PARAPETS, BACKWALLS, AND PIERS. SEAL ALL OF PIERS 1 THRU 3, 5 AND 6 EXCEPT THE TOP OF THE PIERS CAPS. SEAL ALL OF PIER 4 EXCEPT 1/4 OF THE AREA OF COLUMNS AWAY FROM TRAFFIC.
  - SEE JUNCTION BOX EXTENSION DETAIL. GENERAL DETAIL SHT. 273/401 FOR BARRIER RETROFIT AT JUNCTION BOXES.

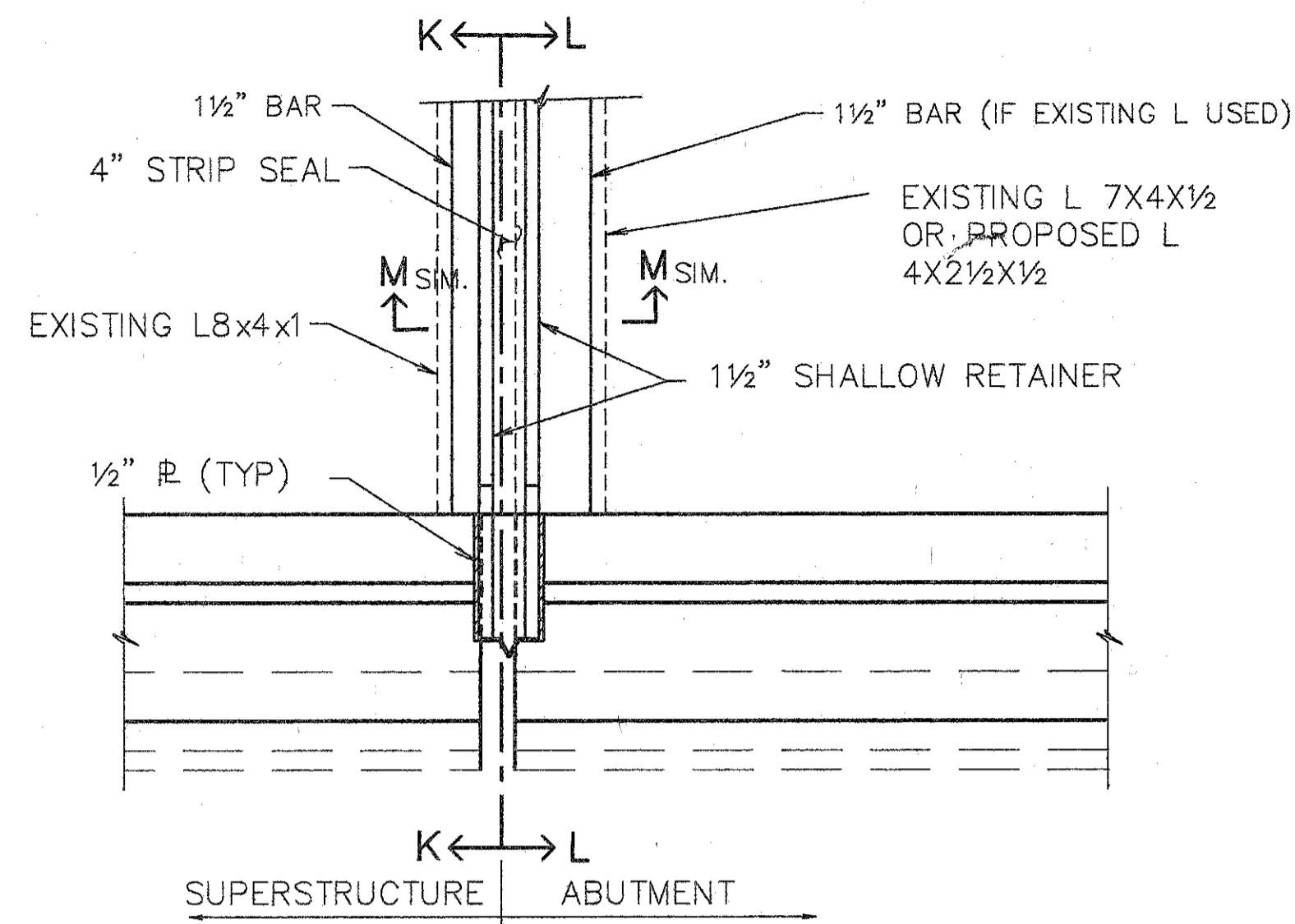
SLIDING R SIZE	JACK CAPACITY REQ'D. (MIN)
E200	125 TON
E150	125 TON

L.A.T.M. MAY 15, 1991 @ 5:30 PM  
 G:\STR\9409-00\SHLAND\243\5127.Lst Last Revision By: RACH1 OCT. 8, 1992 @ 11:53 AM

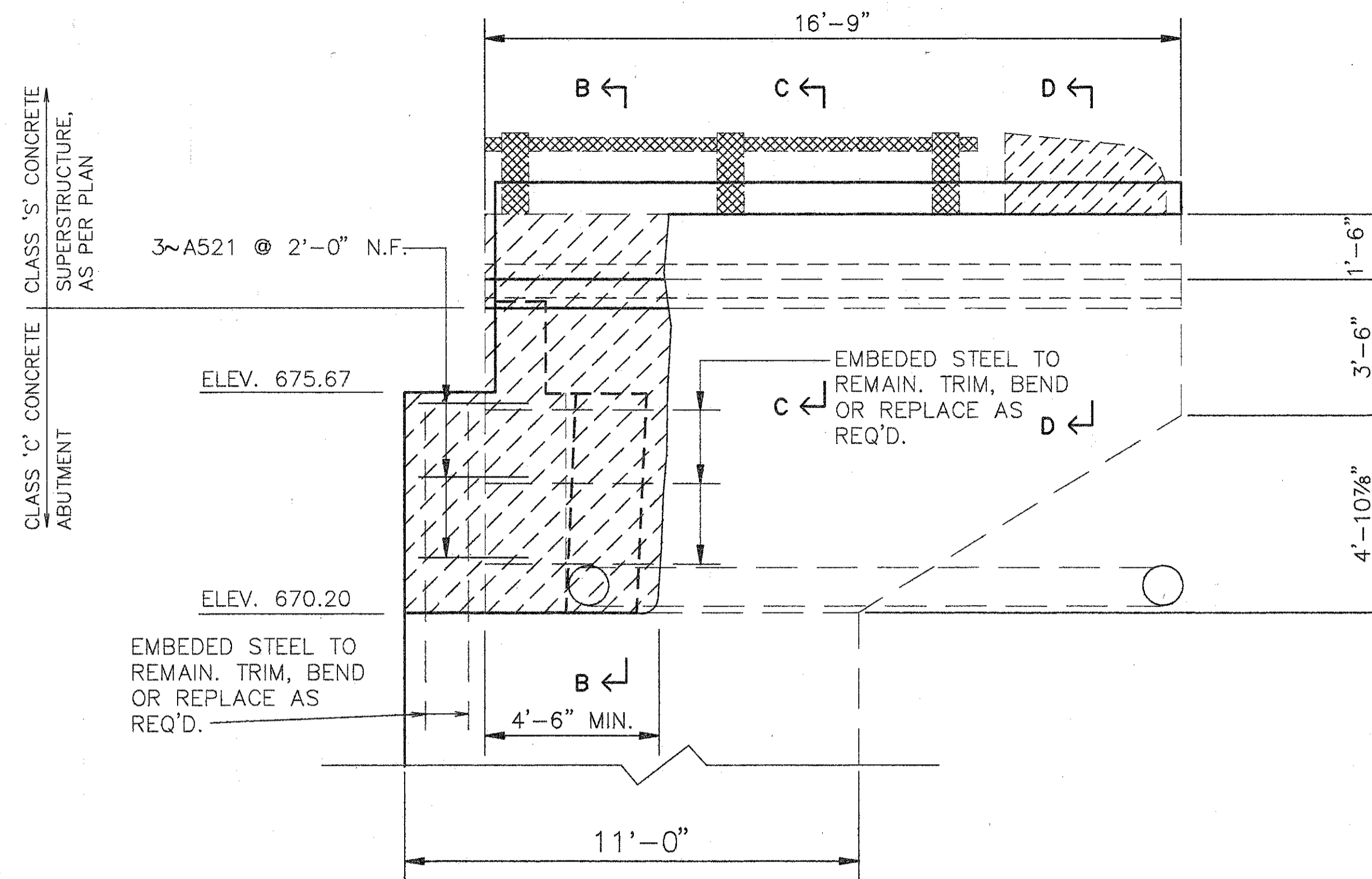
 <b>WOOLPERT CONSULTANTS</b> 409 E. MONUMENT AVENUE DAYTON, OHIO 45402-1226 (513) 461-5660						2 / 11
<b>GENERAL PLAN</b>						
BRIDGE NO. HAM-71-0243L OVER N.B. READING ROAD						
HAMILTON COUNTY						
DESIGNED	DRAWN	TRACED	CHECKED	REVIEWED	DATE	
L.A.T.M.	D.E.E.		M.A.A.	D.E.M11/11/94		



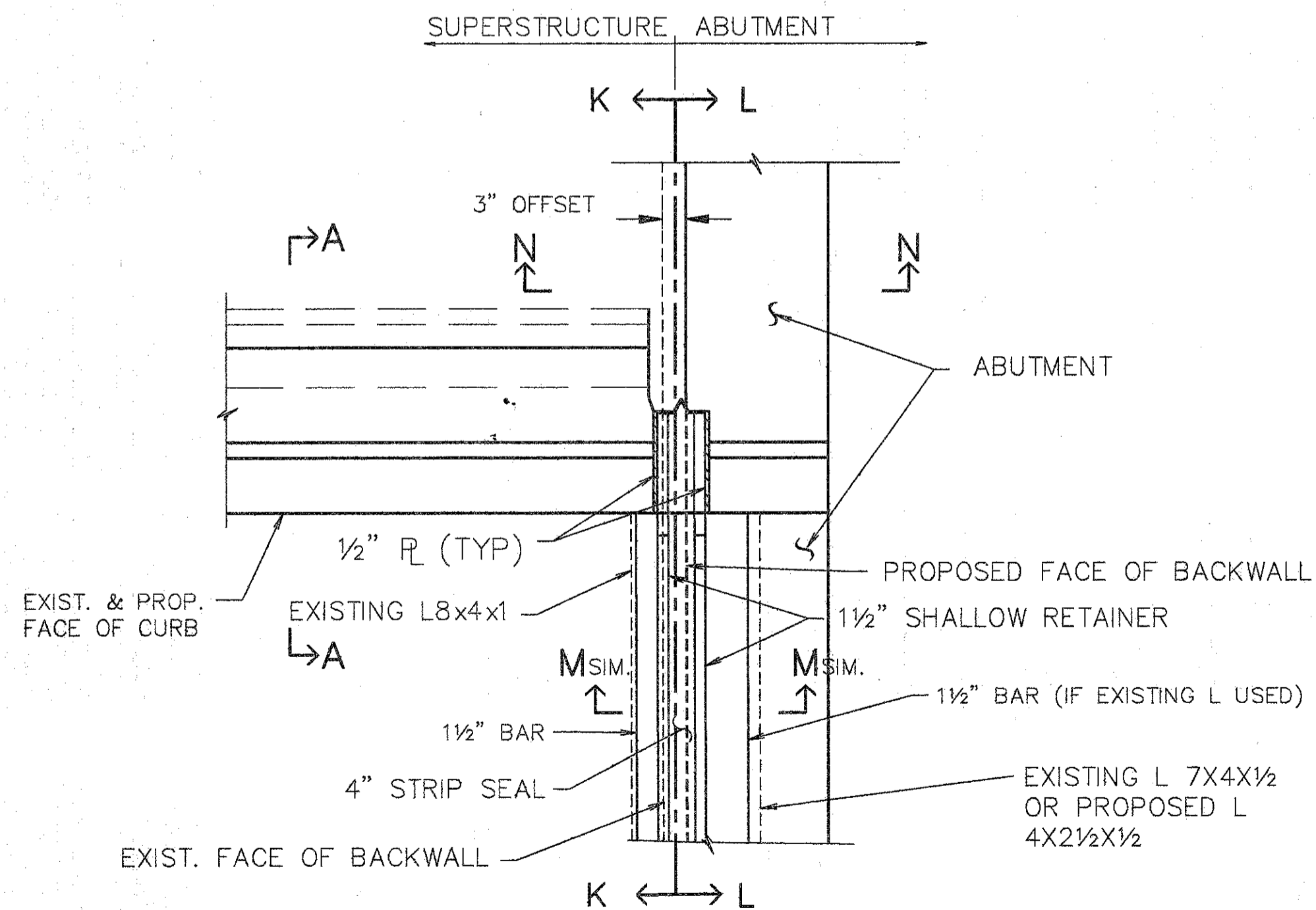




PART PLAN @ RIGHT FORWARD




ELEVATION FORWARD WINGWALL (RIGHT)

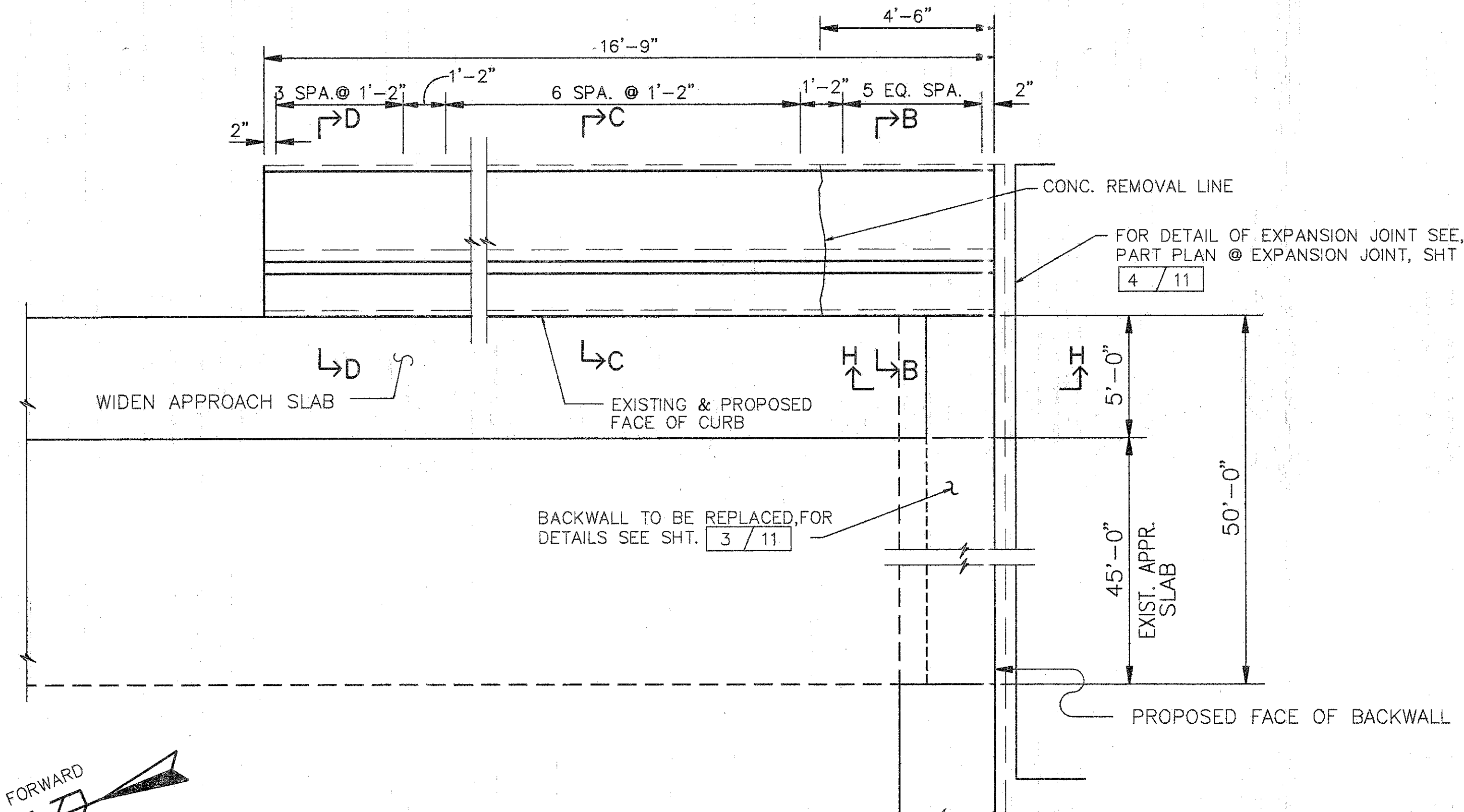


PART PLAN @ LEFT FORWARD

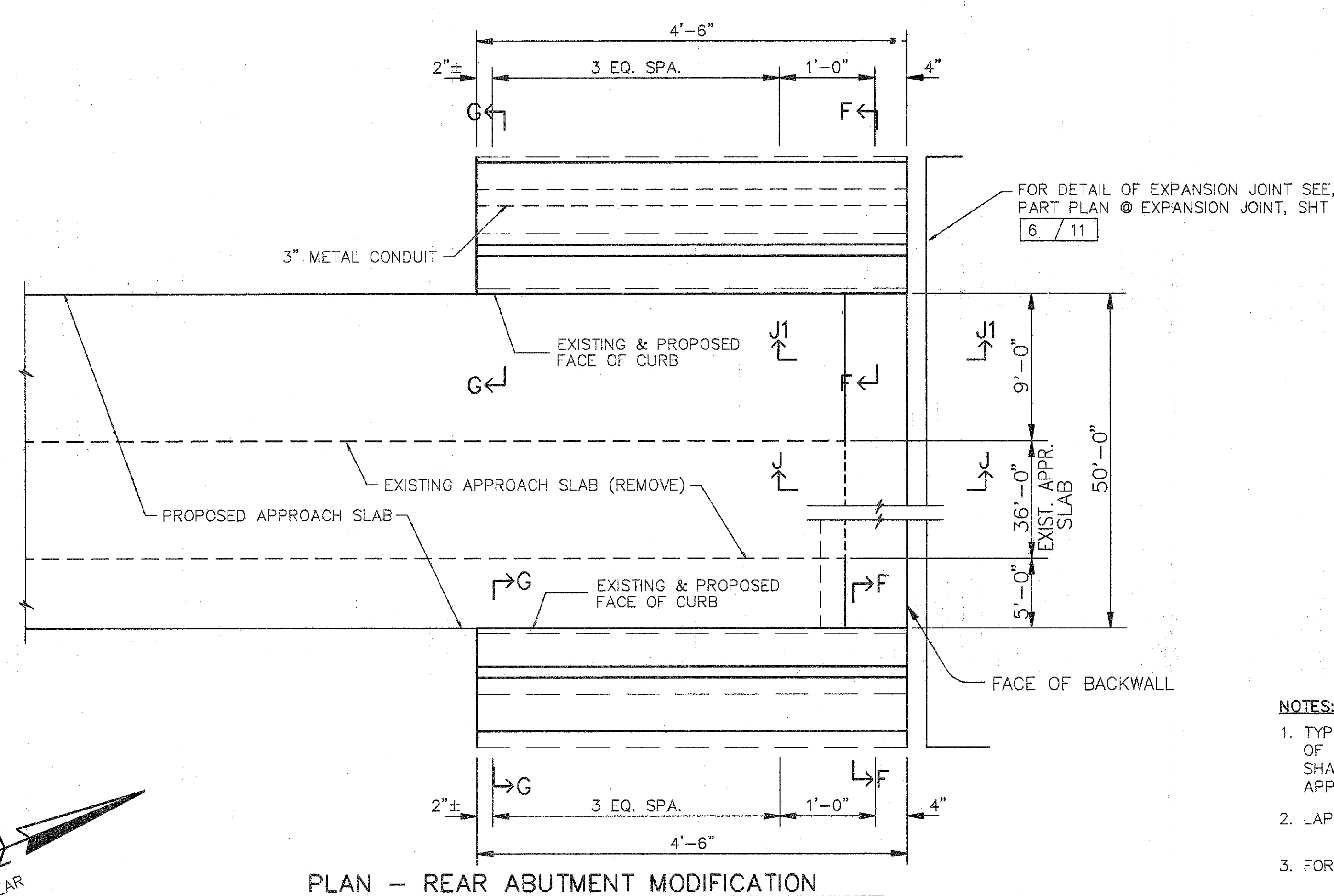
Last Plot MAY 15, 1991 @ 5:33 PM  
 G:\P\16594-03\SHLAND\2451014.Lot1 Revision B.r. RACH, OCT. 8, 1992 @ 1:04 PM

 <b>WOOLPERT CONSULTANTS</b> 409 E. MONUMENT AVENUE DAYTON, OHIO 45402-1226 (513) 461-5660		4 / 11				
<b>FORWARD ABUTMENT AND EXPANSION JOINT</b>						
BRIDGE NO. HAM-71-0243L OVER N.B. READING ROAD						
HAMILTON COUNTY						
DESIGNED	DRAWN	TRACED	CHECKED	REVIEWED	DATE	REVISED
L.A.T.M.	D.E.E.		M.A.A.	D.E.M11/11/94		

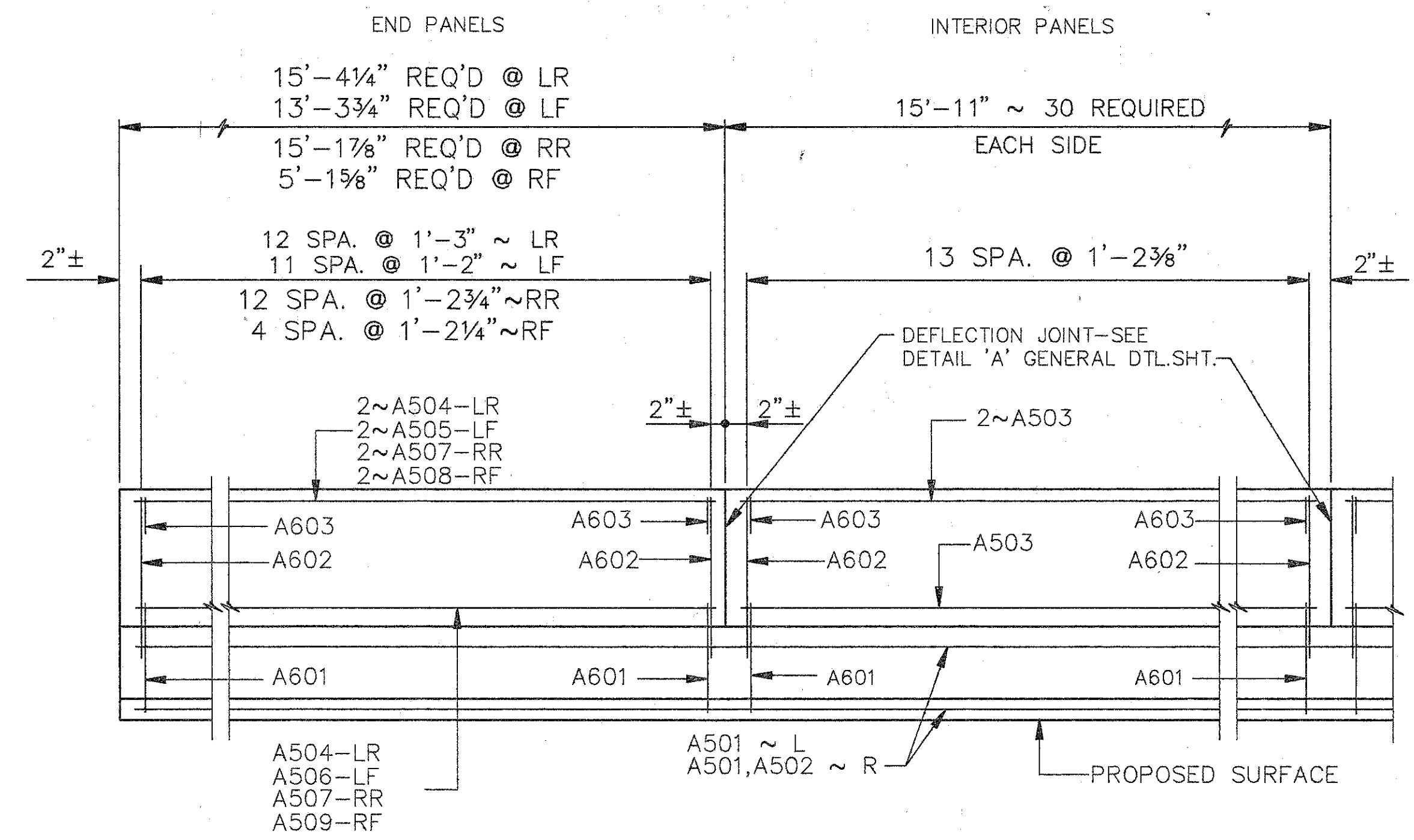




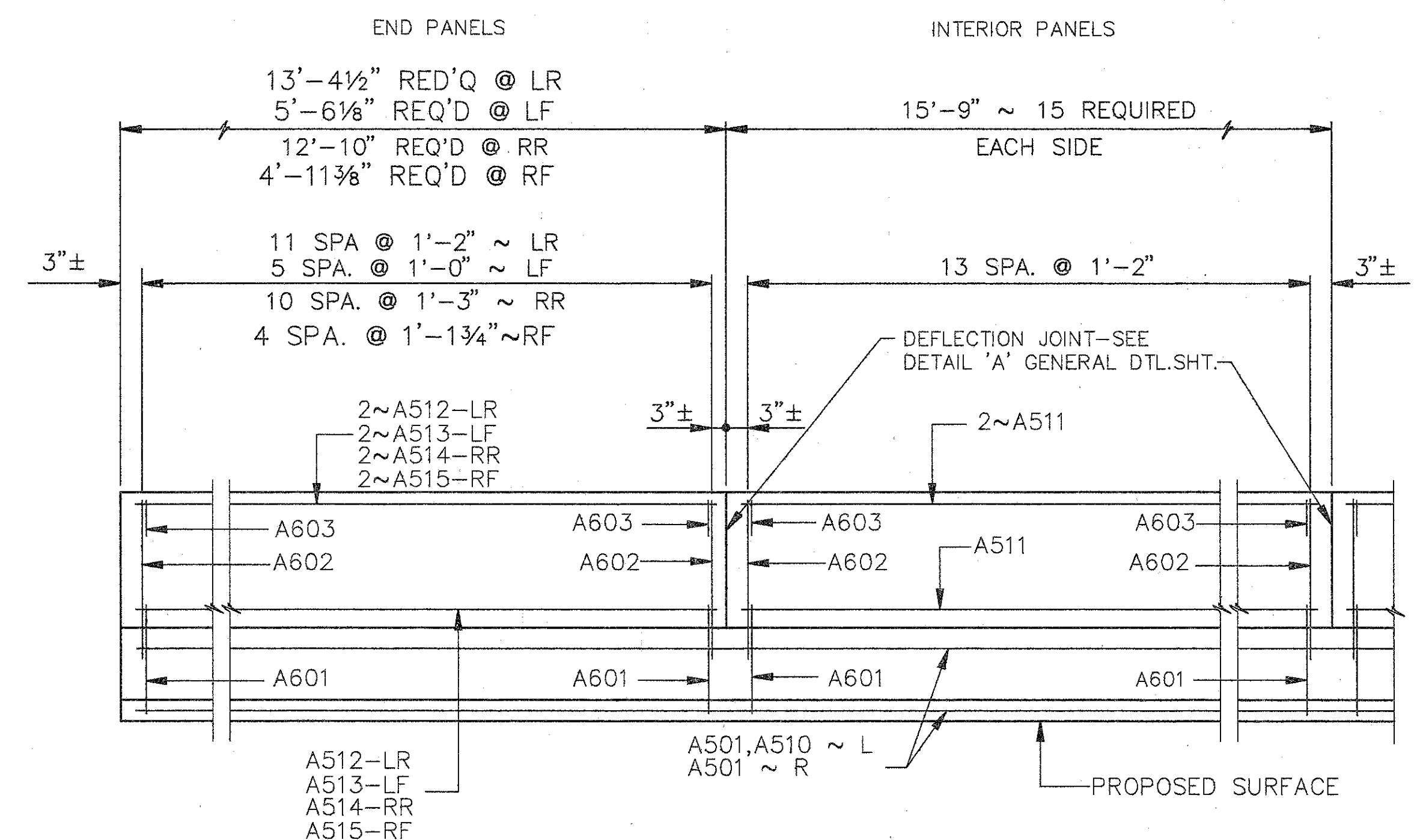
PLAN - FORWARD ABUTMENT MODIFICATION



PLAN - REAR ABUTMENT MODIFICATION



ELEVATION SUPERSTRUCTURE PARAPET (SPANS 1-4)



ELEVATION SUPERSTRUCTURE PARAPET (SPANS 5-7)

NOTES:

- TYPE 'A' WATERPROOFING AT THE BRIDGE LIMIT END OF THE APPROACH SLAB (AS PER STD. DWG. AS-1-81) SHALL BE INCLUDED IN THE PRICE BID FOR ITEM 611 APPROACH SLAB.
- LAP NO.5 BARS, IN PARAPETS, 2'-0".
- FOR PARAPET SECTIONS SEE SHT. 7/11

NOTES:

- L DENOTES LEFT SIDE
- R DENOTES RIGHT SIDE
- RF DENOTES RIGHT FORWARD
- LF DENOTES LEFT FORWARD
- RR DENOTES RIGHT REAR
- LR DENOTES LEFT REAR
- NF DENOTES NEAR FACE
- FF DENOTES FAR FACE

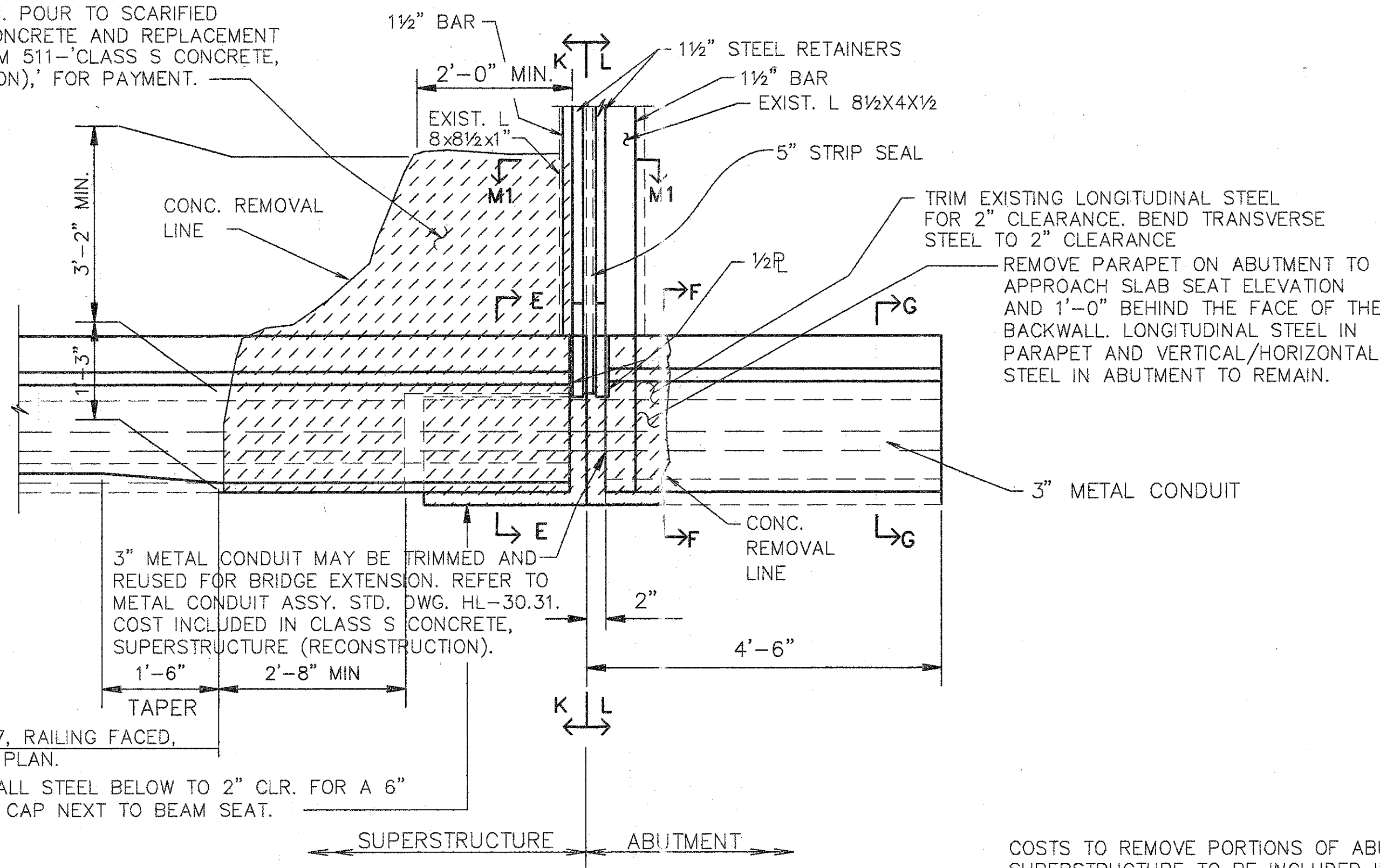
**WOOLPERT CONSULTANTS**  
 409 E. MONUMENT AVENUE  
 DAYTON, OHIO 45402-1226  
 (513) 461-5660

**SUPER.-PARAPET-ABUT. DETAILS AND MODIFICATIONS**  
 BRIDGE NO. HAM-71-0243L  
 OVER N.B. READING ROAD  
 HAMILTON COUNTY

DESIGNED	DRAWN	TRACED	CHECKED	REVIEWED	DATE	REVISED
L.A.T.M.	D.E.E.		M.A.A.	D.E.M11/11/94		

Last Print: MAY 15, 1994 @ 8:30 PM  
 G:\SERV\6698-ADV\ASPHLAND\CA\SHRITS.Lot Revision By: D.E.E. APR. 5, 1994 @ 8:42 AM

REMOVE BRIDGE PARAPET AND DECK TO EXPOSE EXISTING STEEL. MATCH EXISTING #6 & #7 BARS WITH EXTENTIONS FOR REINFORCEMENT OF NEW SLAB. POUR TO SCARIFIED LEVEL. LEAVE SURFACE ROUGH. CONCRETE AND REPLACEMENT WORK TO BE INCLUDED UNDER ITEM 511-'CLASS S CONCRETE, SUPERSTRUCTURE, (RECONSTRUCTION),' FOR PAYMENT.



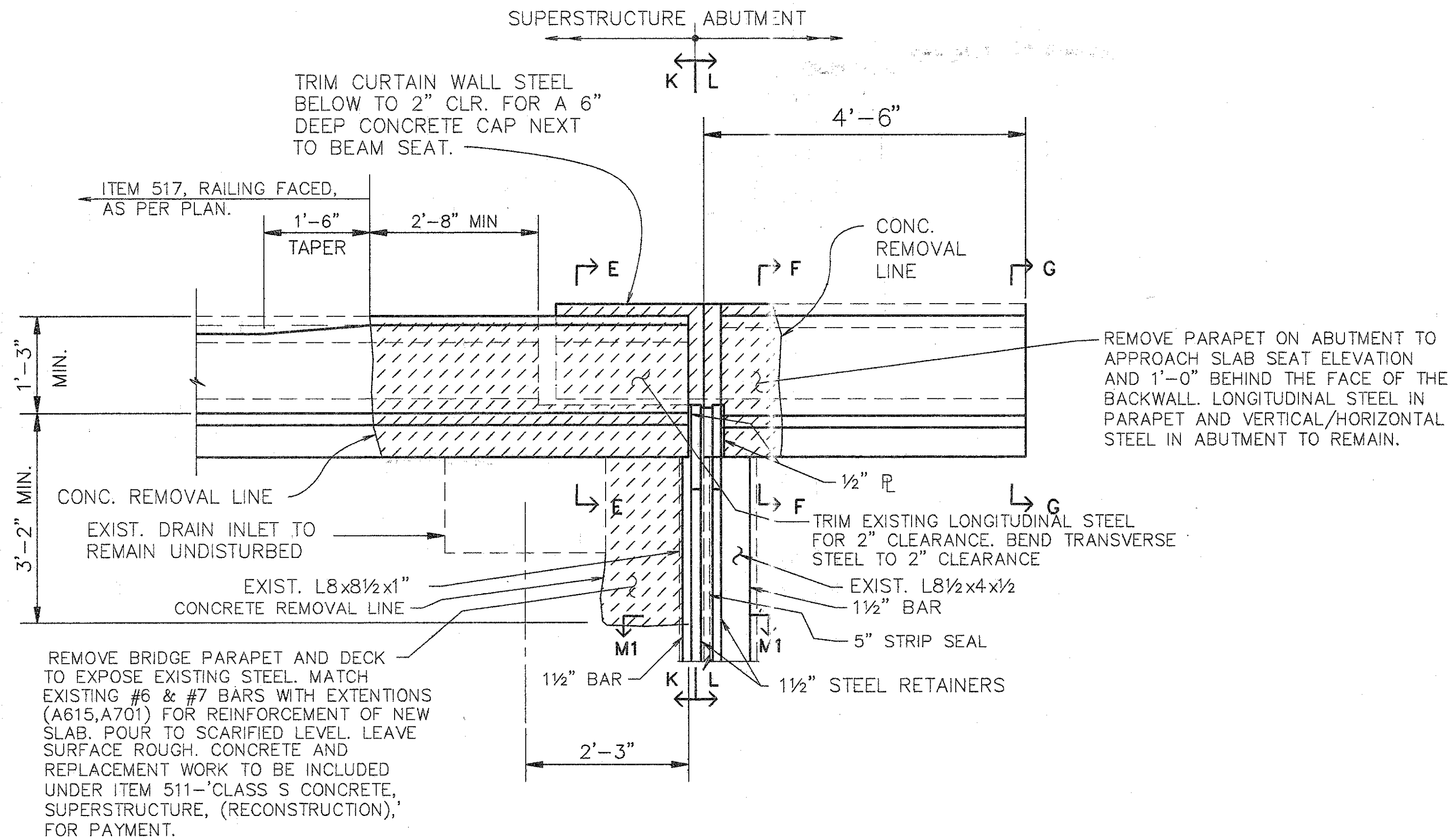
**PART PLAN @ LEFT REAR**

EXIST. CONDUIT IN BRIDGE TO REMAIN. CONTRACTOR TO REMOVE CONCRETE FROM AROUND CONDUIT WITHOUT DAMAGING CONDUIT OR ITS CONTENTS.

3" METAL CONDUIT MAY BE TRIMMED AND REUSED FOR BRIDGE EXTENSION. REFER TO METAL CONDUIT ASSY. STD. DWG. HL-30.31. COST INCLUDED IN CLASS S CONCRETE, SUPERSTRUCTURE (RECONSTRUCTION).

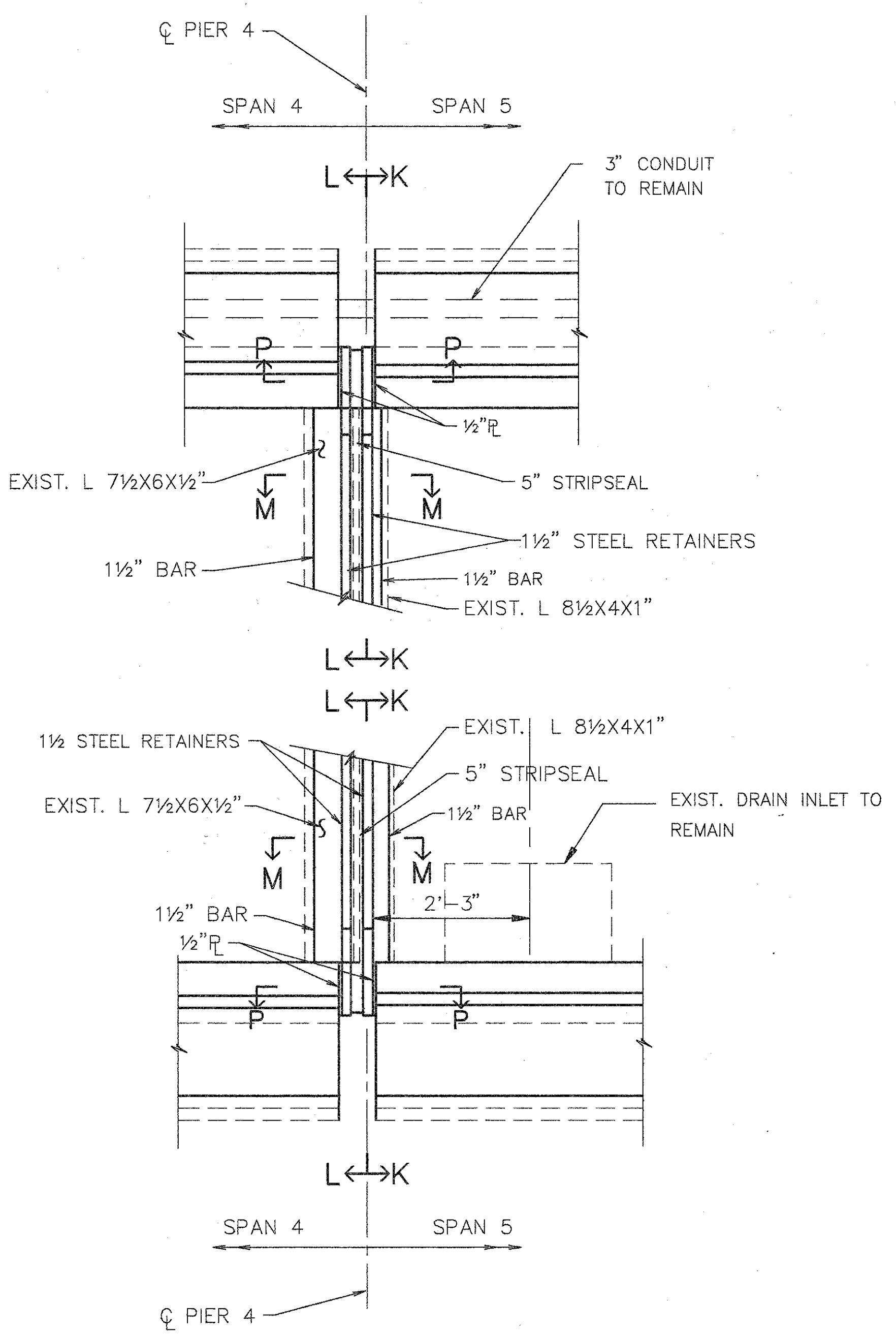
COSTS TO REMOVE PORTIONS OF ABUTMENT AND SUPERSTRUCTURE TO BE INCLUDED IN PRICE BID FOR ITEM 202-'PORTION OF STRUCTURE REMOVED.'

ITEM 517, RAILING FACED, AS PER PLAN.  
 TRIM CURTAIN WALL STEEL BELOW TO 2" CLR. FOR A 6" DEEP CONCRETE CAP NEXT TO BEAM SEAT.



**PART PLAN @ RIGHT REAR**

REMOVE BRIDGE PARAPET AND DECK TO EXPOSE EXISTING STEEL. MATCH EXISTING #6 & #7 BARS WITH EXTENTIONS (A615,A701) FOR REINFORCEMENT OF NEW SLAB. POUR TO SCARIFIED LEVEL. LEAVE SURFACE ROUGH. CONCRETE AND REPLACEMENT WORK TO BE INCLUDED UNDER ITEM 511-'CLASS S CONCRETE, SUPERSTRUCTURE, (RECONSTRUCTION),' FOR PAYMENT.



**PART PLAN - INTERMEDIATE EXPANSION JOINT**

FOR DETAILS NOT SHOWN, SEE SHT. 7&8/11

**WOOLPERT CONSULTANTS**  
 409 E. MONUMENT AVENUE  
 DAYTON, OHIO 45402-1226  
 (513) 461-5660

**EXPANSION JOINT DETAILS**

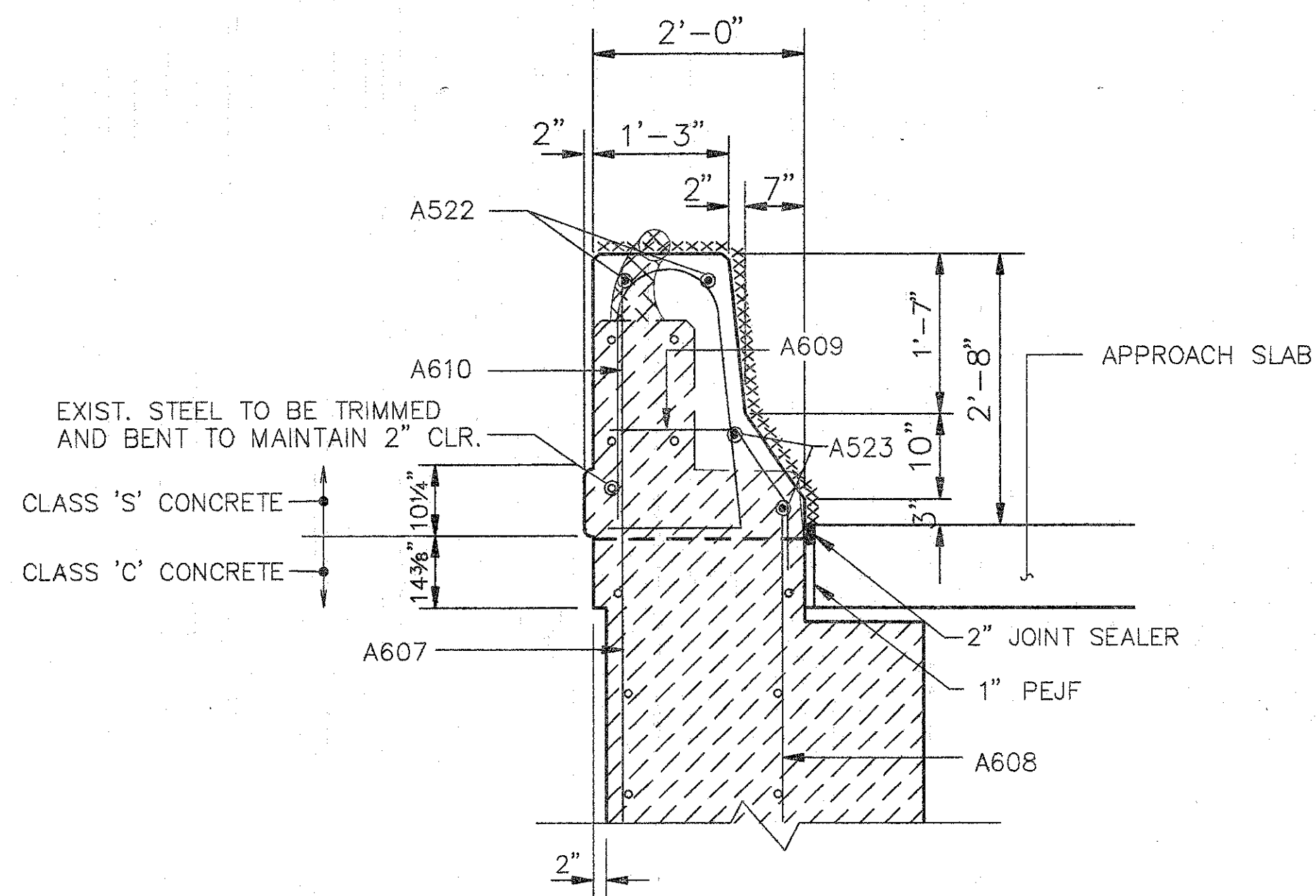
BRIDGE NO. HAM-71-0243L  
 OVER N.B. READING ROAD

HAMILTON COUNTY

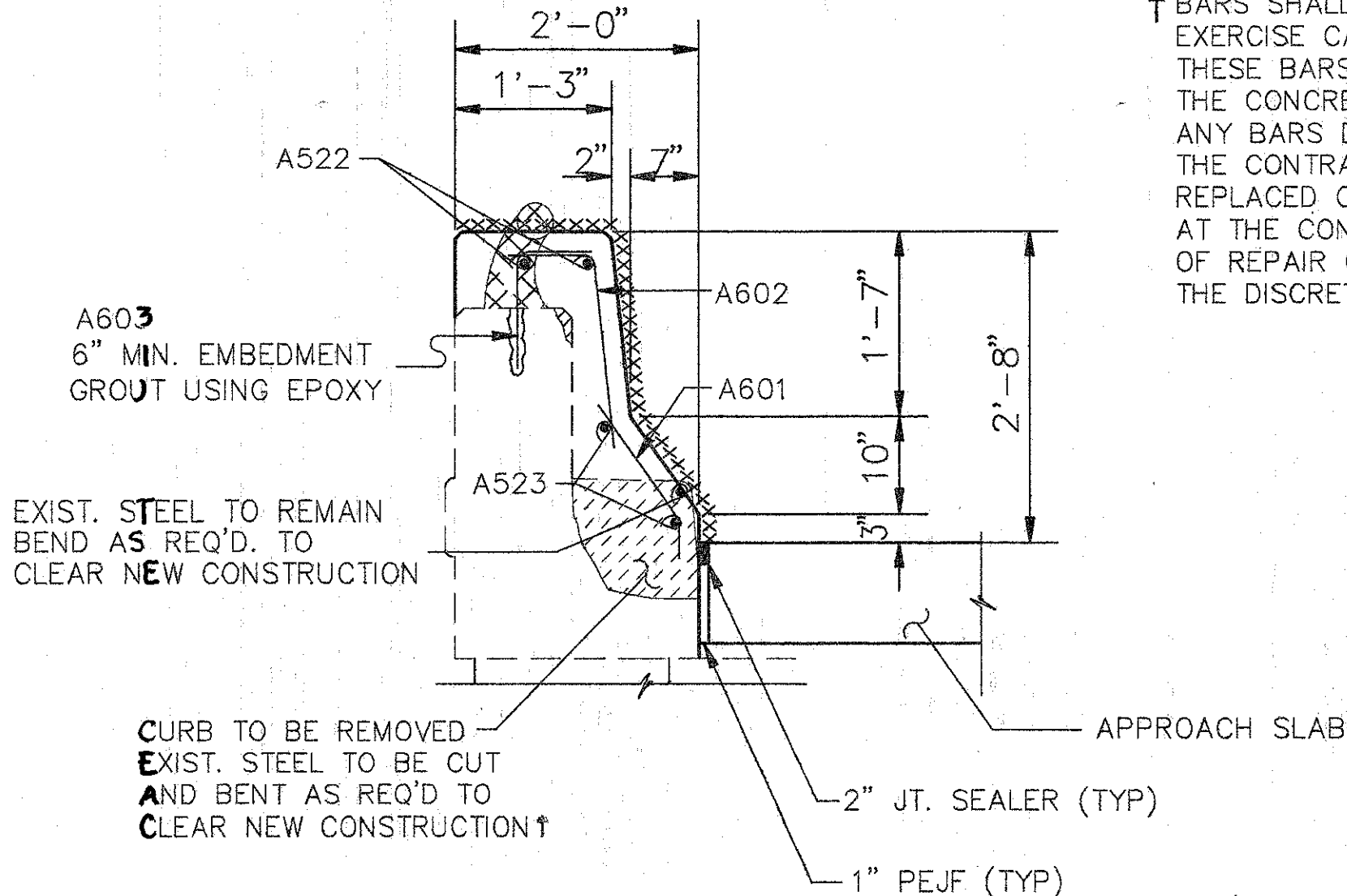
DESIGNED	DRAWN	TRACED	CHECKED	REVIEWED	DATE	REVISED
L.A.T.M.	D.E.E.		M.A.A.	D.E.M11/11/94		

L.A.T.M. MAY 15, 1994 @ 9:30 AM  
 G. STRAINING-CO. S.H. AND ZALUSKIS L.A.T.M. REVISION BY: D.E.E. APR. 5, 1994 @ 9:10 AM





SECTION B-B

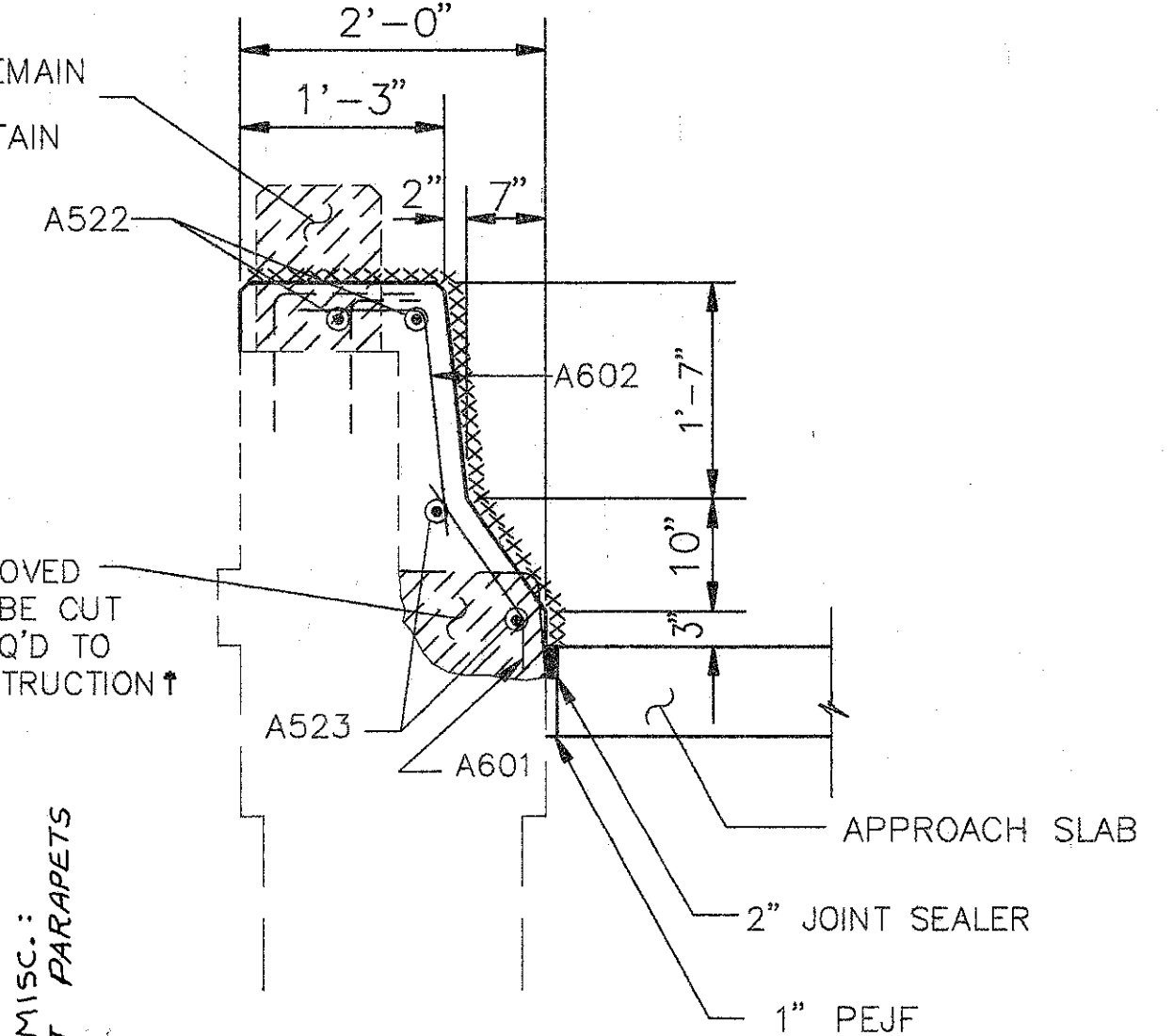


SECTION C-C

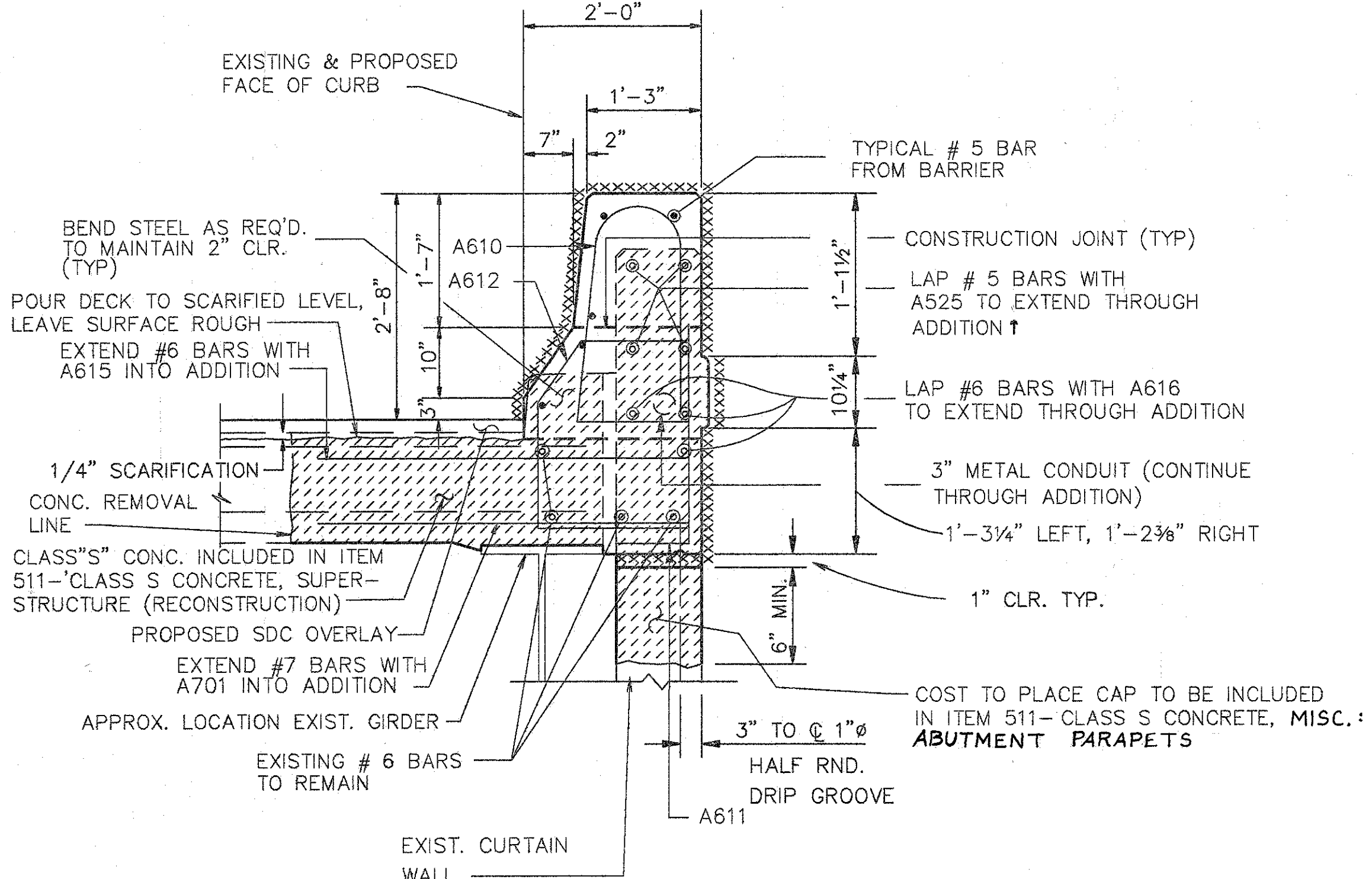
↑ BARS SHALL REMAIN. CONTRACTOR SHALL EXERCISE CAUTION TO ENSURE THAT THESE BARS ARE NOT DAMAGED DURING THE CONCRETE REMOVAL OPERATION. ANY BARS DAMAGED AS A RESULT OF THE CONTRACTOR'S OPERATION SHALL BE REPLACED OR REPAIRED BY THE CONTRACTOR AT THE CONTRACTOR'S EXPENSE. METHOD OF REPAIR OR REPLACEMENT WILL BE AT THE DISCRETION OF THE DIRECTOR.

EXIST. STEEL TO REMAIN TRIM AND BEND AS REQUIRED TO MAINTAIN 2" CLEARANCE

CURB TO BE REMOVED EXIST. STEEL TO BE CUT AND BENT AS REQ'D TO CLEAR NEW CONSTRUCTION ↑

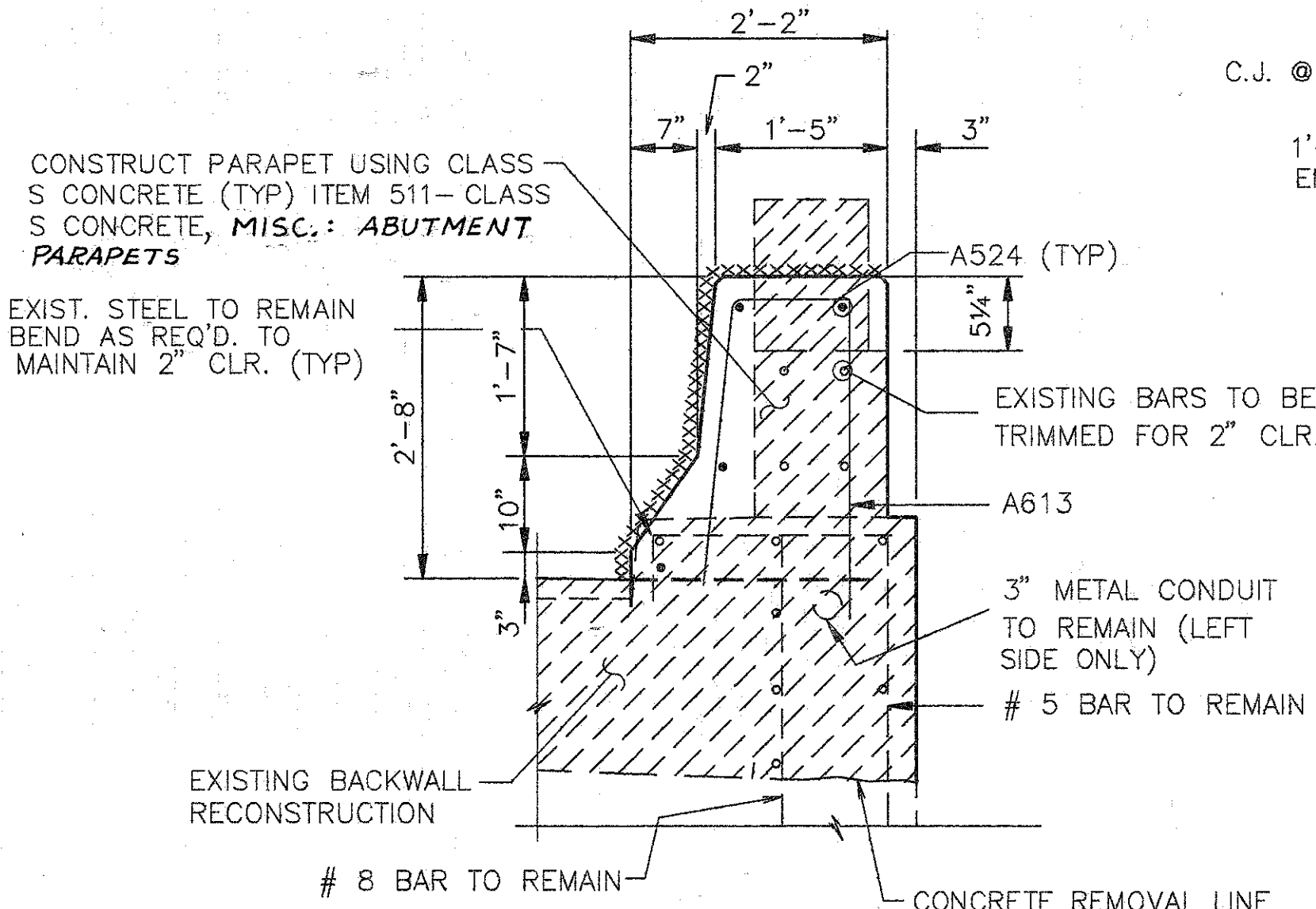


SECTION D-D



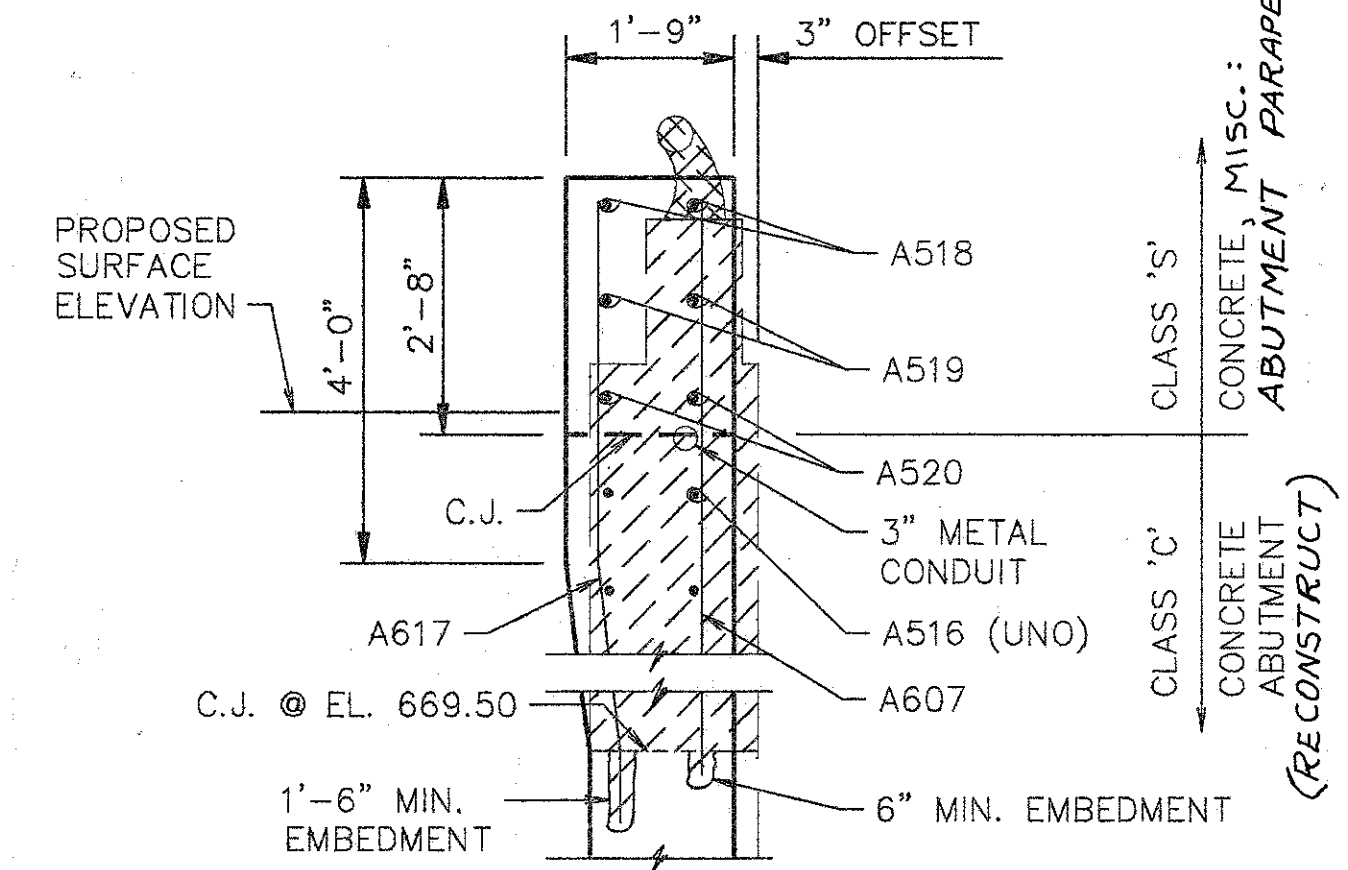
SECTION E-E

NOTE:  
 COST FOR WORK TO RECONSTRUCT BRIDGE DECK AND PARAPET SHALL BE INCLUDED IN ITEM 511-CLASS S CONCRETE, SUPERSTRUCTURE, (RECONSTRUCTION). REINFORCING STEEL IS INCLUDED IN ITEM 509-EPOXY COATED REINFORCING STEEL, GRADE 60, FOR PAYMENT.



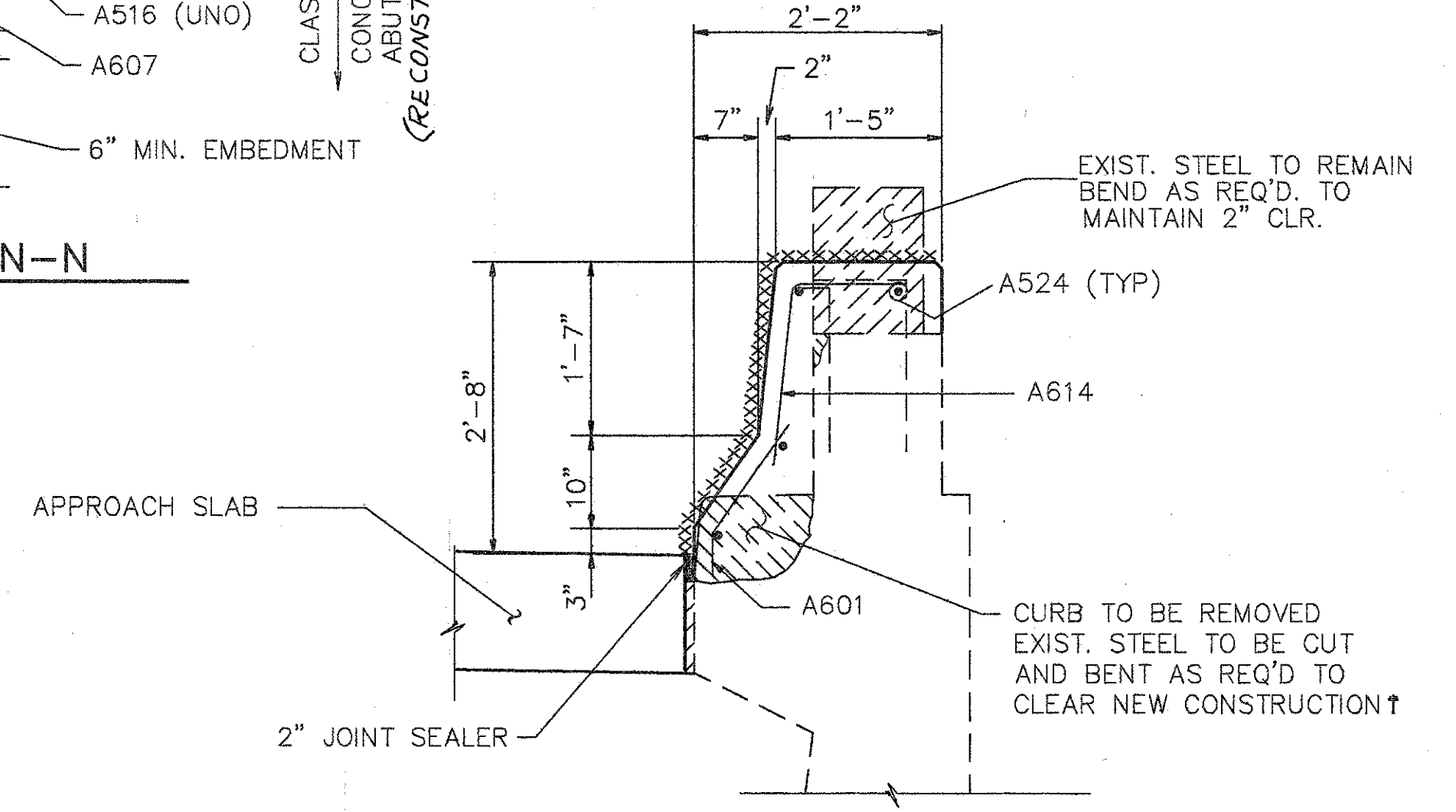
SECTION F-F

NOTES:  
 1. TYPE 'A' WATERPROOFING AT THE BRIDGE LIMIT END OF THE APPROACH SLAB (AS PER STD. DWG. AS-1-81) SHALL BE INCLUDED IN THE PRICE BID FOR ITEM 611 APPROACH SLAB.



SECTION N-N

FOR ADDITIONAL SECTIONS NOT SHOWN HERE SEE SHT. 8/11



SECTION G-G

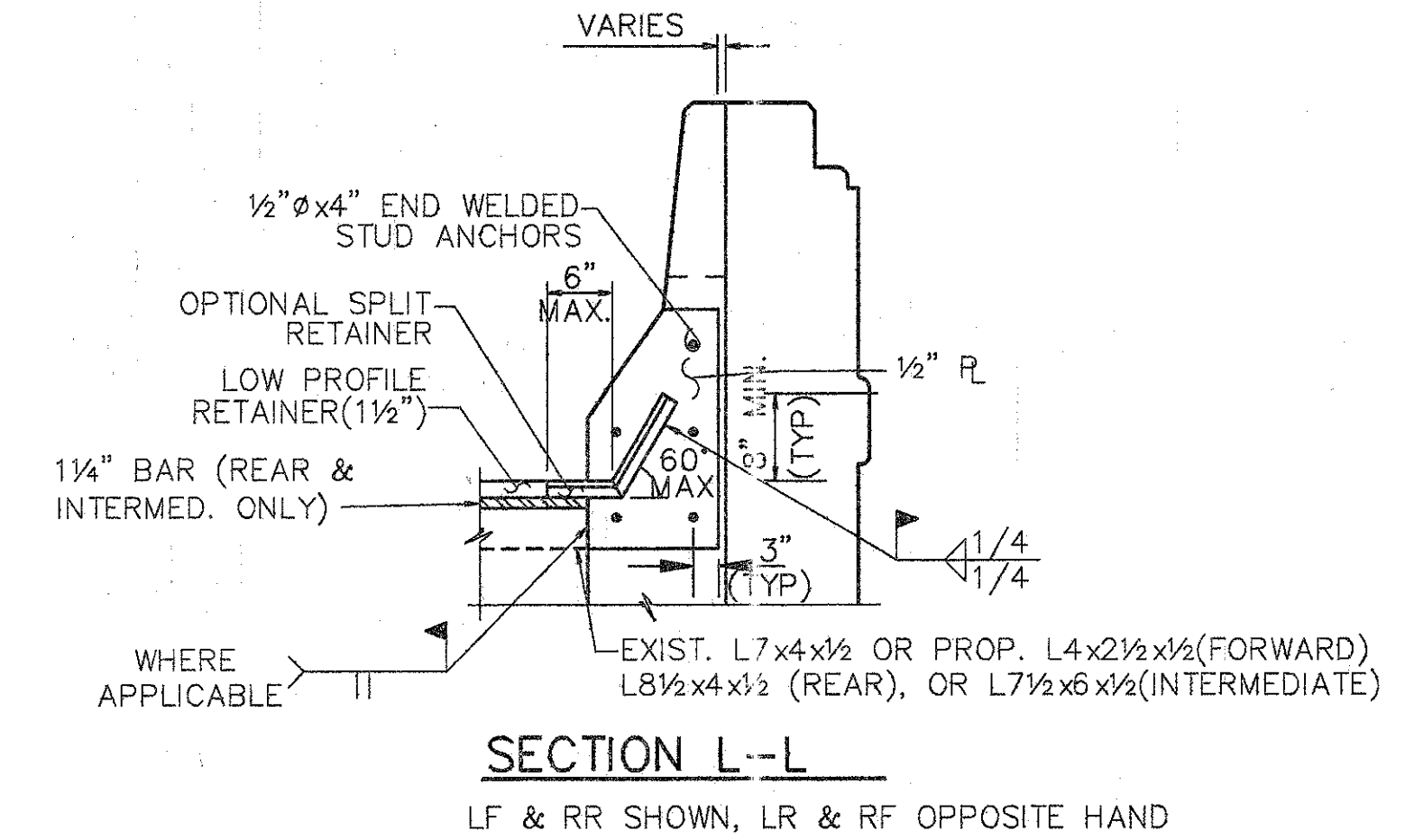
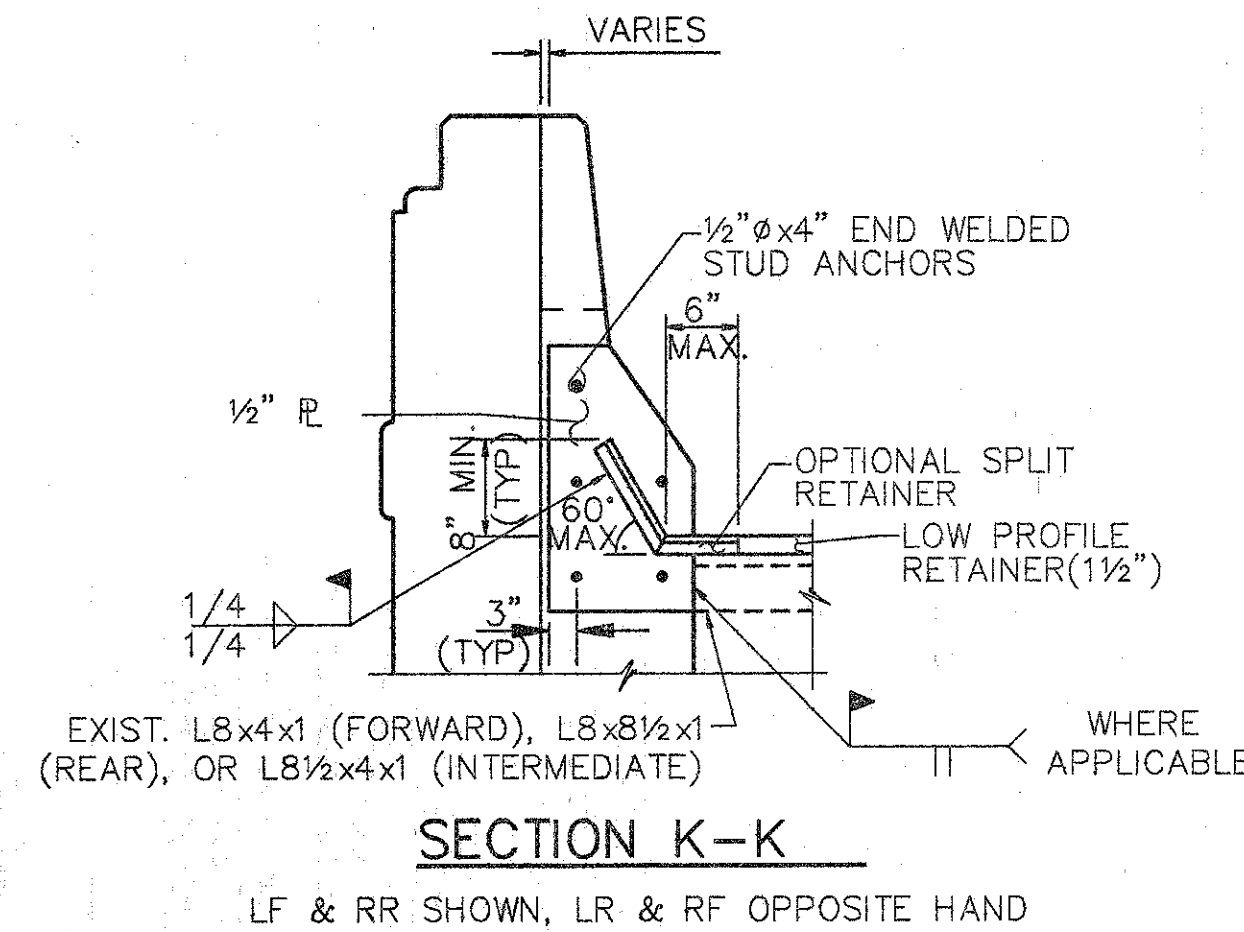
- EXISTING CURB AND PARAPET TO BE REMOVED UNDER ITEM 202-PORCTIONS OF STRUCTURES REMOVED.
- EXISTING RAILING & POSTS TO BE REMOVED & STACKED NEATLY ALONG THE RIGHT OF WAY FOR DISPOSAL BY THE CONTRACTOR. ALL WORK SHALL BE INCLUDED IN THE PRICE BID FOR ITEM 202 PORTIONS OF STRUCTURES REMOVED.
- \*\*\*\*\* SURFACES TO BE SEALED UNDER ITEM SPECIAL-SEALING OF CONCRETE SURFACES.
- EXISTING REINFORCING STEEL

**WOOLPERT CONSULTANTS**  
 409 E. MONUMENT AVENUE  
 DAYTON, OHIO 45402-1226  
 (513) 461-5660

**PARAPET SECTIONS AND DETAILS**  
 BRIDGE NO. HAM-71-0243L  
 OVER N.B. READING ROAD  
 HAMILTON COUNTY

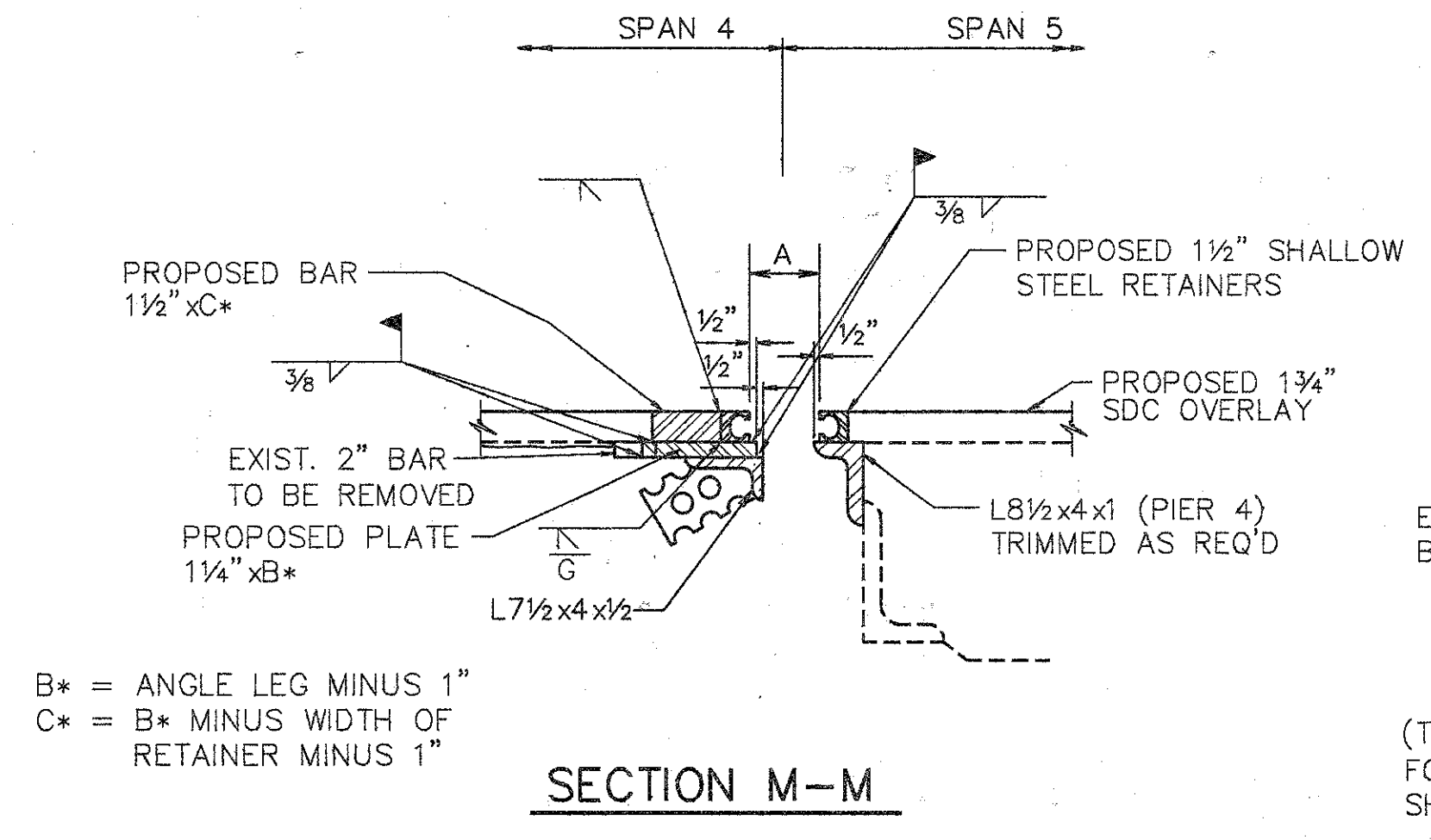
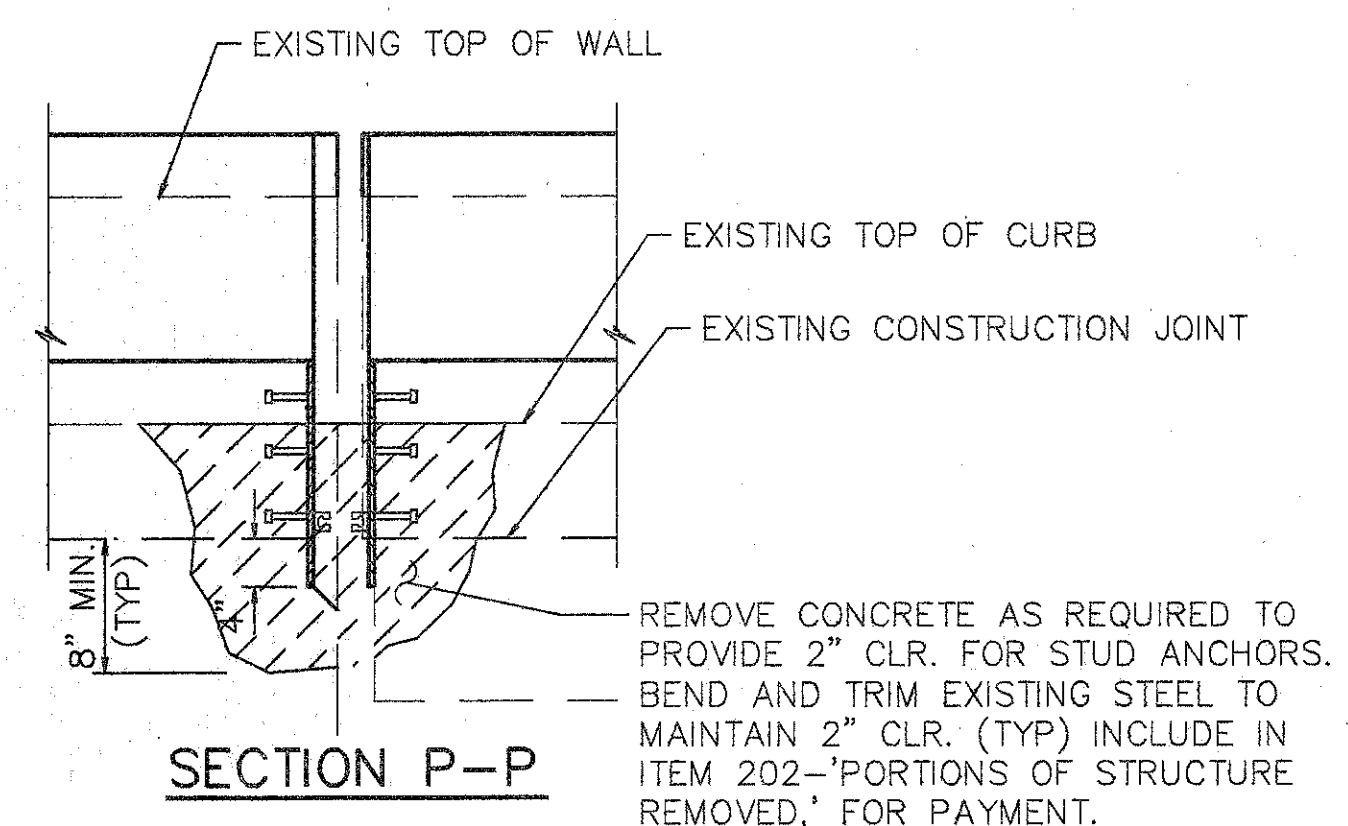
DESIGNED	DRAWN	TRACED	CHECKED	REVIEWED	DATE	REVISED
L.A.T.M.	D.E.E.		M.A.A.	D.E.M11/11/94		

Lest Plor MAY 15, 1991 @ 5:38 PM  
 G:\VTR\1059P-03\GSR\AMD\2433517.Lot Section By: EAGL MAY 17, 1994 @ 3:07 PM

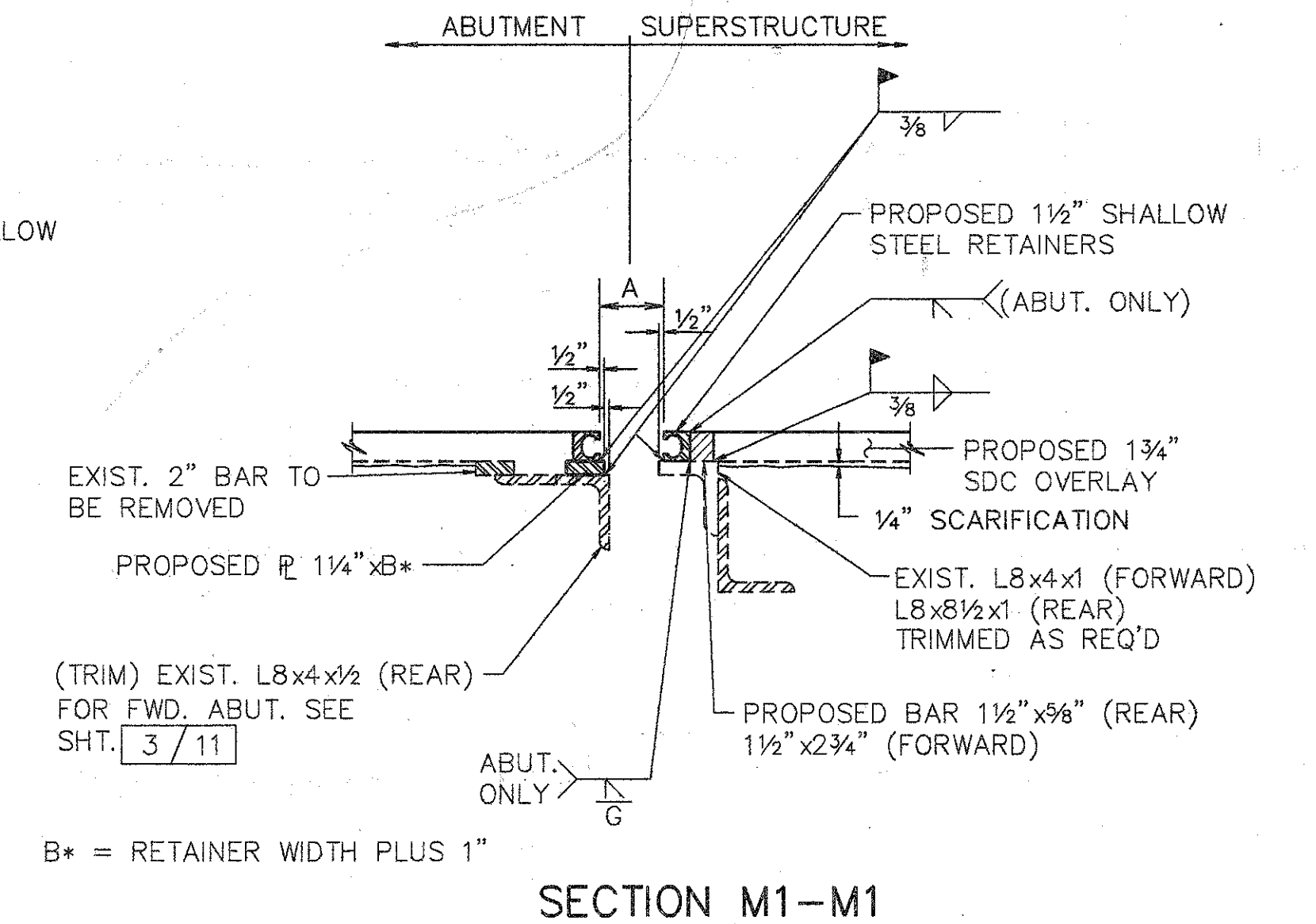


**NOTE:**

1. EXPANSION JT. DETAILS TO BE WORKED WITH STD. DWG. EXJ-4-87 SHTS. 1 thru 5.
2. WHEN PLATE IS RECESSED INTO ABUTMENT, CONCRETE BELOW PLATE SHALL BE SLOPED FROM BOTTOM OF THE PLATE TO THE END OF THE ABUTMENT TO DETER THE ACCUMULATION OF DEBIS.



B\* = ANGLE LEG MINUS 1"  
 C\* = B\* MINUS WIDTH OF RETAINER MINUS 1"

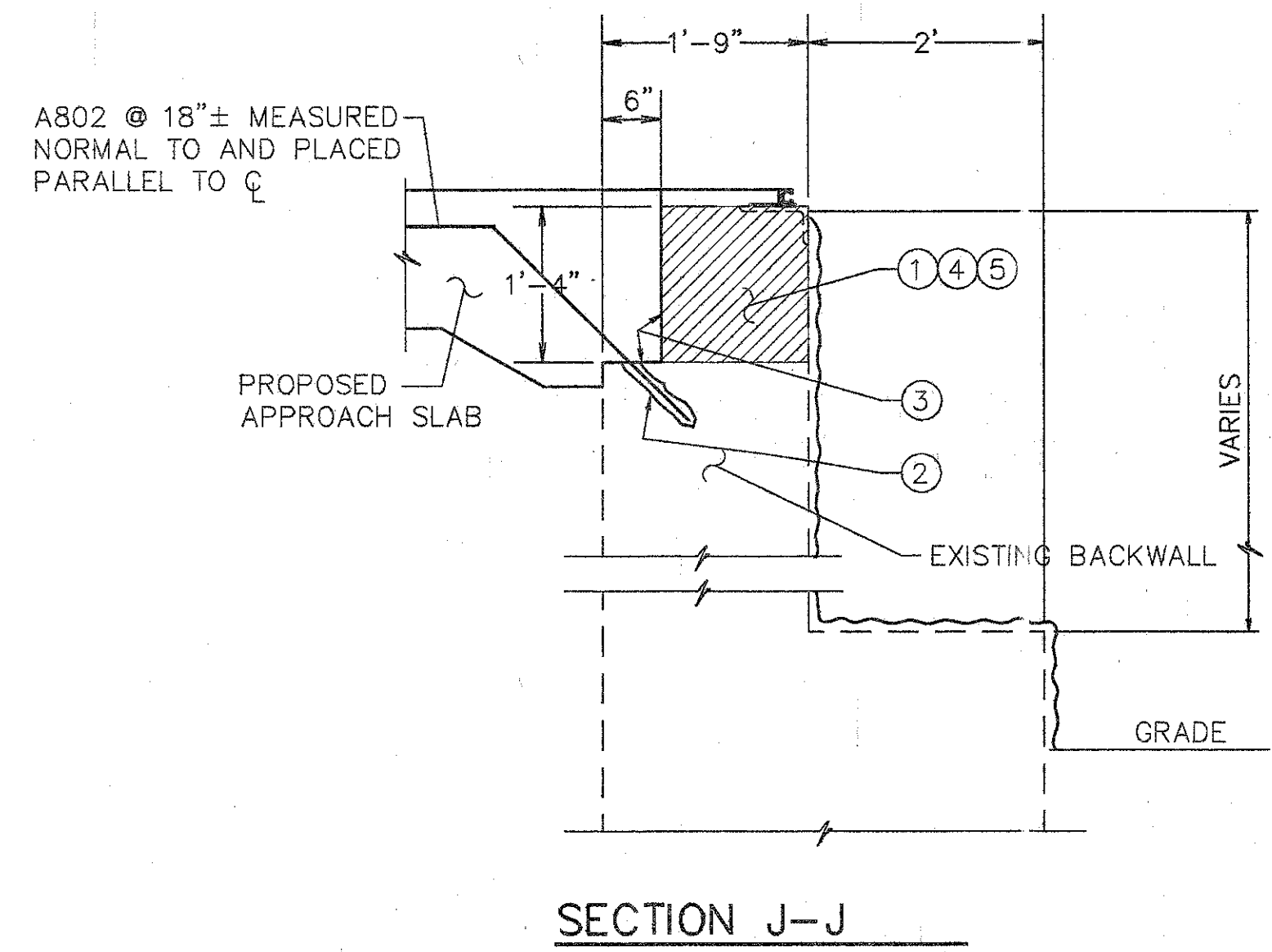


B\* = RETAINER WIDTH PLUS 1"

**NOTES:**

1. CONTRACTOR TO VERIFY ALL DIMENSIONS PRIOR TO MODIFYING EXPANSION JOINT.
2. THE PRICE BID FOR ITEM 516- 'STRUCTURAL EXPANSION JOINTS, INCLUDING ELASTOMERIC STRIP SEALS, SHALL INCLUDE ALL LABOR, MATERIALS, EQUIPMENT, AND ANY OTHER INCIDENTAL ITEMS, AS DETAILED. (REMOVAL OF CURB OR PARAPET AS SHOWN SHALL BE INCLUDED UNDER ITEM 202- 'PORTIONS OF STRUCTURE REMOVED').
3. FOR DETAILS NOT SHOWN REFER TO DWG. EXJ-4-87 SHTS. 3 AND 4.
4. STRIP SEAL TO BE INSTALLED IN ONE CONTINUOUS PIECE (NO OPEN JOINTS).
5. PROVIDE TEMPORARY SUPPORT FOR ABUTMENT END DAM DURING CONSTRUCTION. REMOVE TEMPORARY SUPPORT AS SOON AS CONCRETE HAS SET, PREFERABLY WITHIN TWO HOURS AFTER PLACING TO AVOID DAMAGE DUE TO EXPANSION AND CONTRACTION OF SUPERSTRUCTURE.

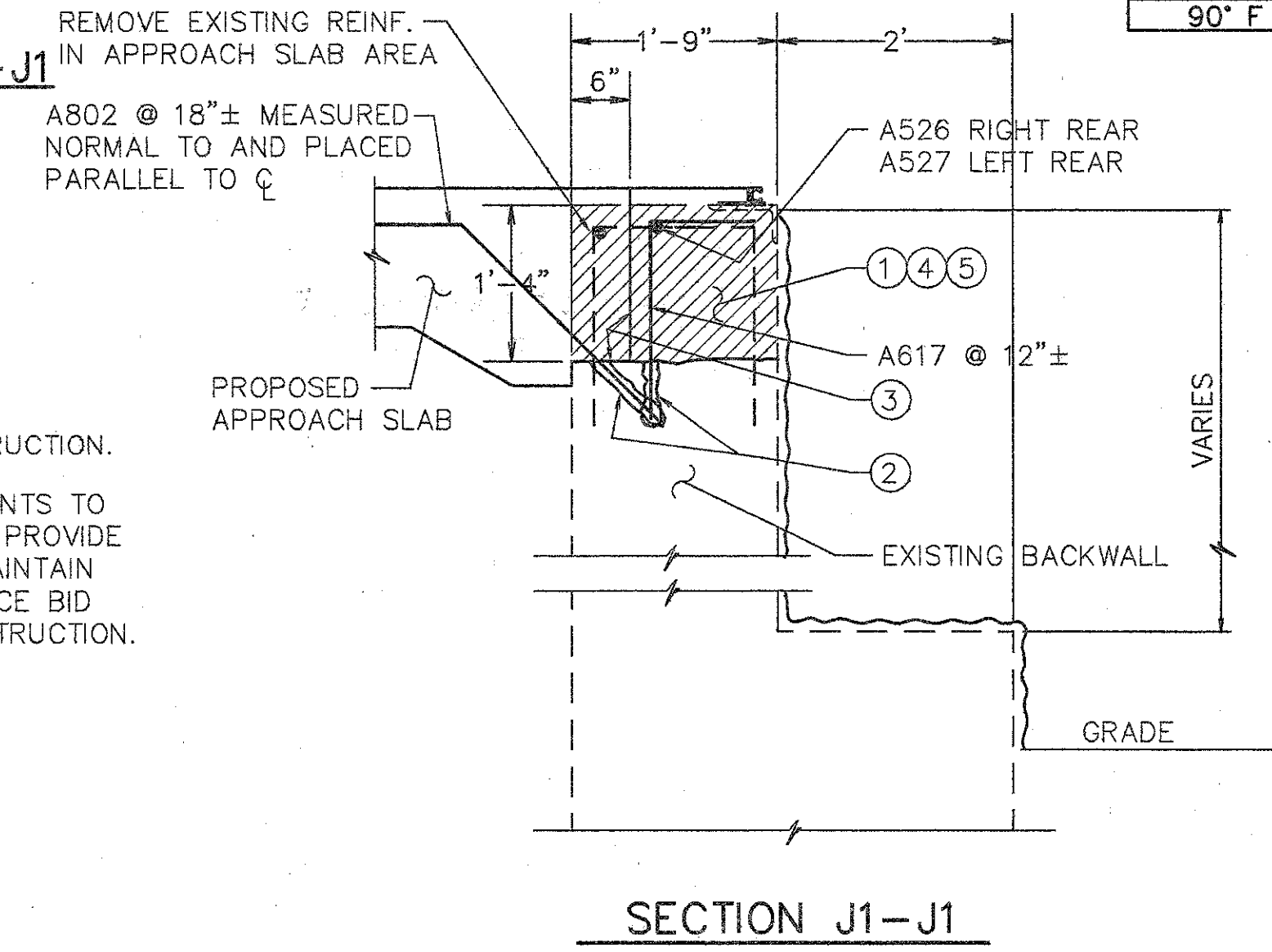
TEMPERATURE	DIM. 'A'		
	REAR	PIER 4	FORWARD
40° F	3 5/8"	3 1/2"	3"
50° F	3 1/2"	3 1/8"	2 7/8"
60° F	3 1/4"	2 7/8"	2 3/4"
70° F	3"	2 5/8"	2 5/8"
80° F	2 7/8"	2 3/8"	2 1/2"
90° F	2 5/8"	2 1/8"	2 3/8"



**NOTES FOR SECTION J-J & J1-J1**

1. EXISTING REINFORCING STEEL TO REMAIN ~ REINFORCING STEEL DAMAGED TO BE REPLACED AT CONTRACTORS EXPENSE.
2. 1' MIN. EMBEDMENT (SEE DOWEL HOLE GENERAL NOTE) ITEM 510.
3. TYPE 'A' WATERPROOFING (PAYMENT INCLUDED IN THE PRICE BID FOR APPROACH SLAB).
4. CLASS 'C' CONCRETE, ABUTMENT RECONSTRUCTION.
5. PROVIDE CONTRACTION AND EXPANSION JOINTS TO MATCH THOSE IN EXISTING BACKWALL AND PROVIDE CONSTRUCTION JOINTS AS REQUIRED TO MAINTAIN TRAFFIC. PAYMENT TO BE INCLUDED IN PRICE BID FOR ITEM 511 CLASS C CONCRETE RECONSTRUCTION.

EXISTING CONCRETE TO BE REMOVED INCLUDE IN ITEM 202 FOR PAYMENT.  
 SURFACE TO BE SEALED UNDER ITEM SPECIAL- 'SEALING OF CONCRETE SURFACE, EPOXY'.



**WOOLPERT CONSULTANTS**  
 409 E. MONUMENT AVENUE  
 DAYTON, OHIO 45402-1226  
 (513) 461-5660

**MISCELLANEOUS DETAILS**

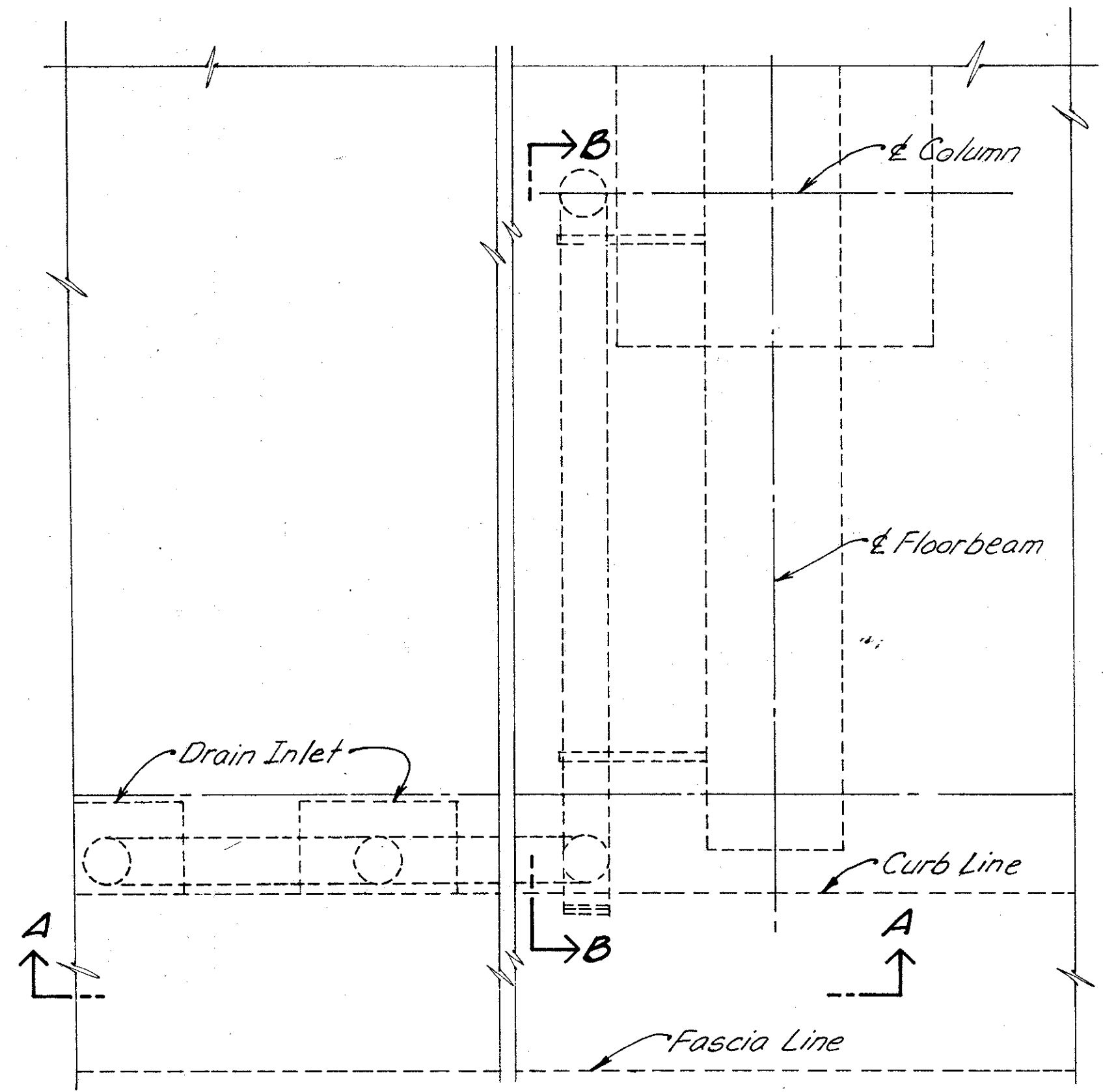
BRIDGE NO. HAM-71-0243L  
 OVER N.B. READING ROAD

HAMILTON COUNTY

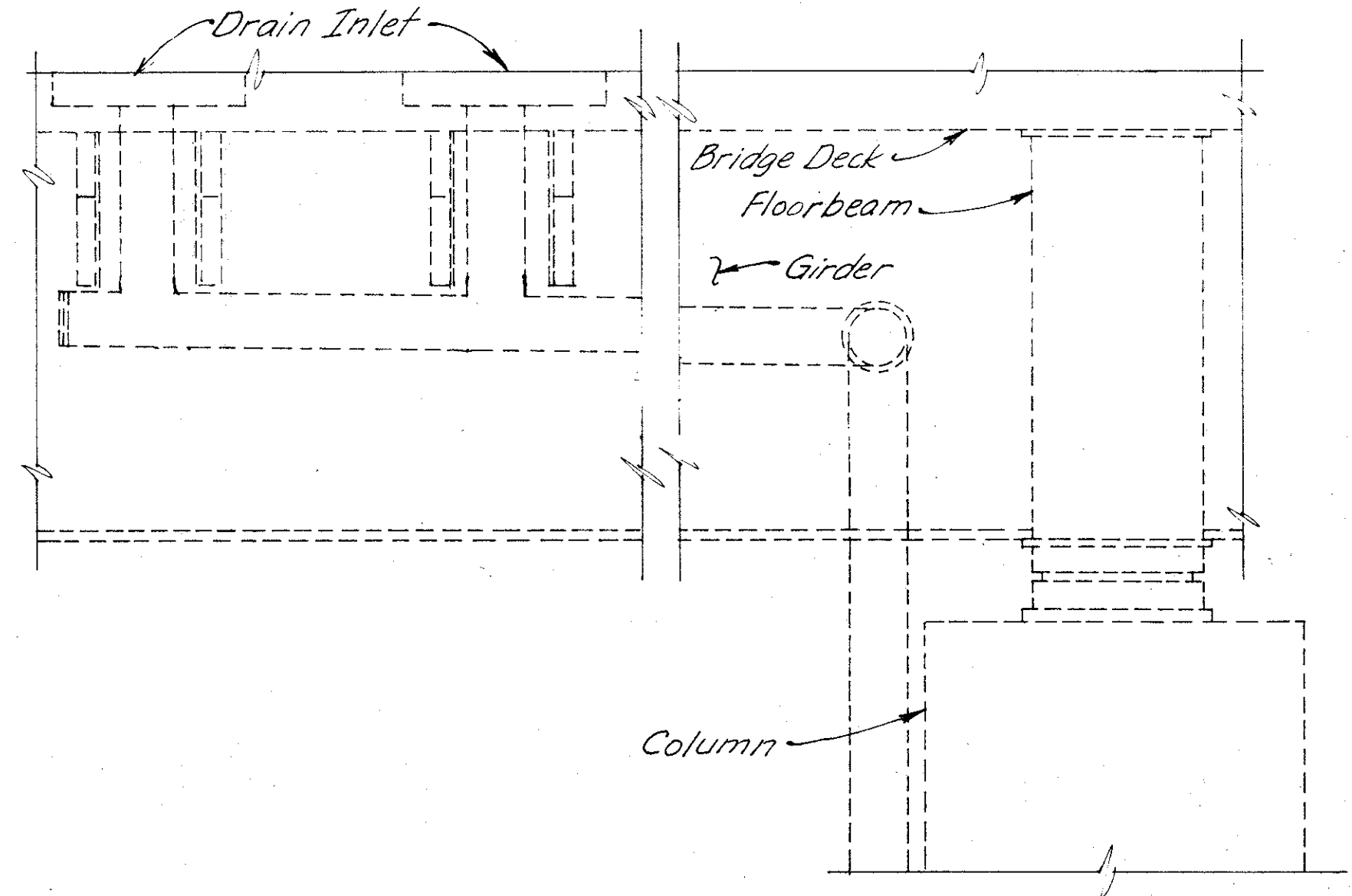
DESIGNED	DRAWN	TRACED	CHECKED	REVIEWED	DATE	REVISED
L.A.T.M.	D.E.E.		M.A.A.	D.E.M11/11/94		



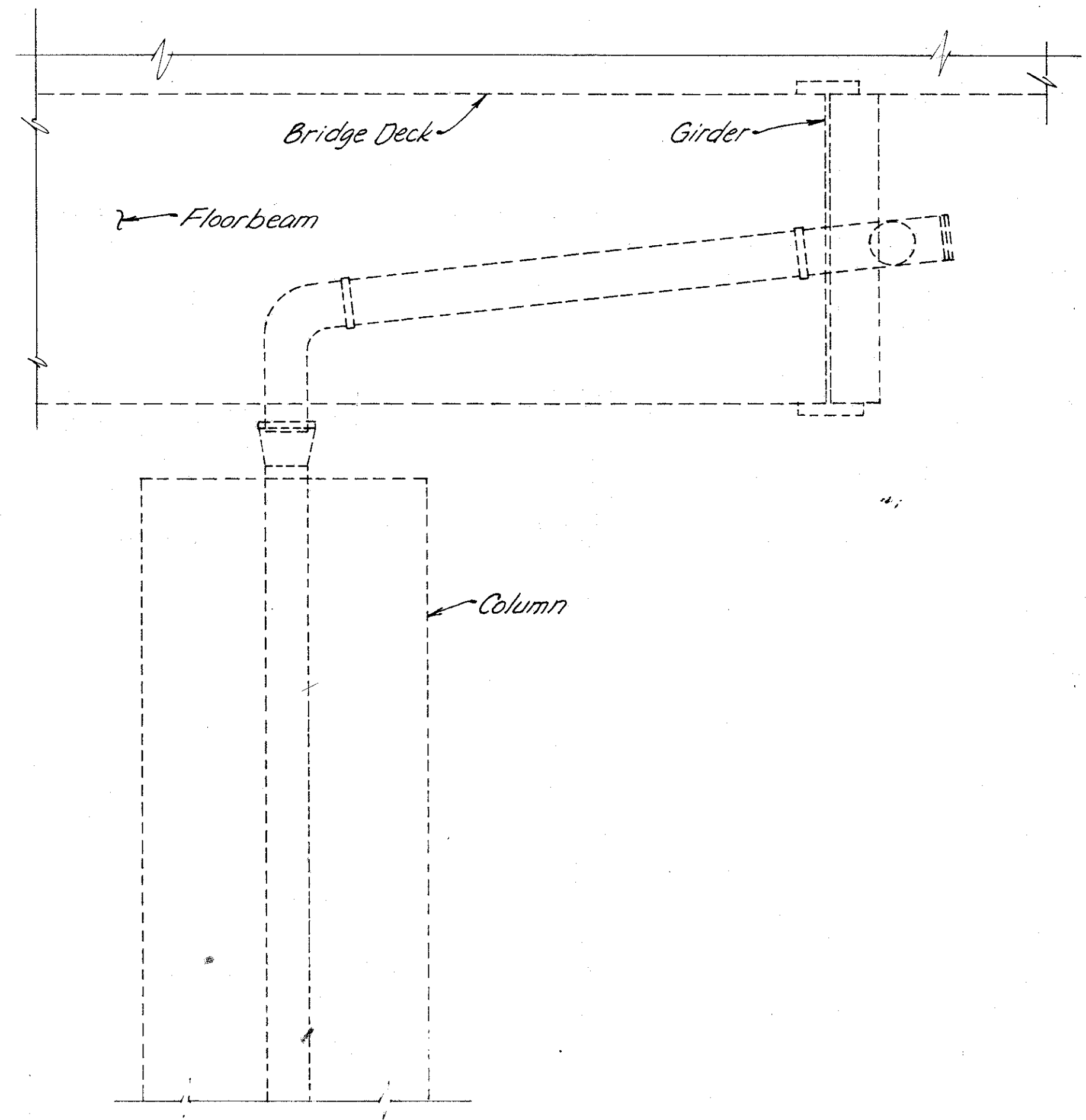




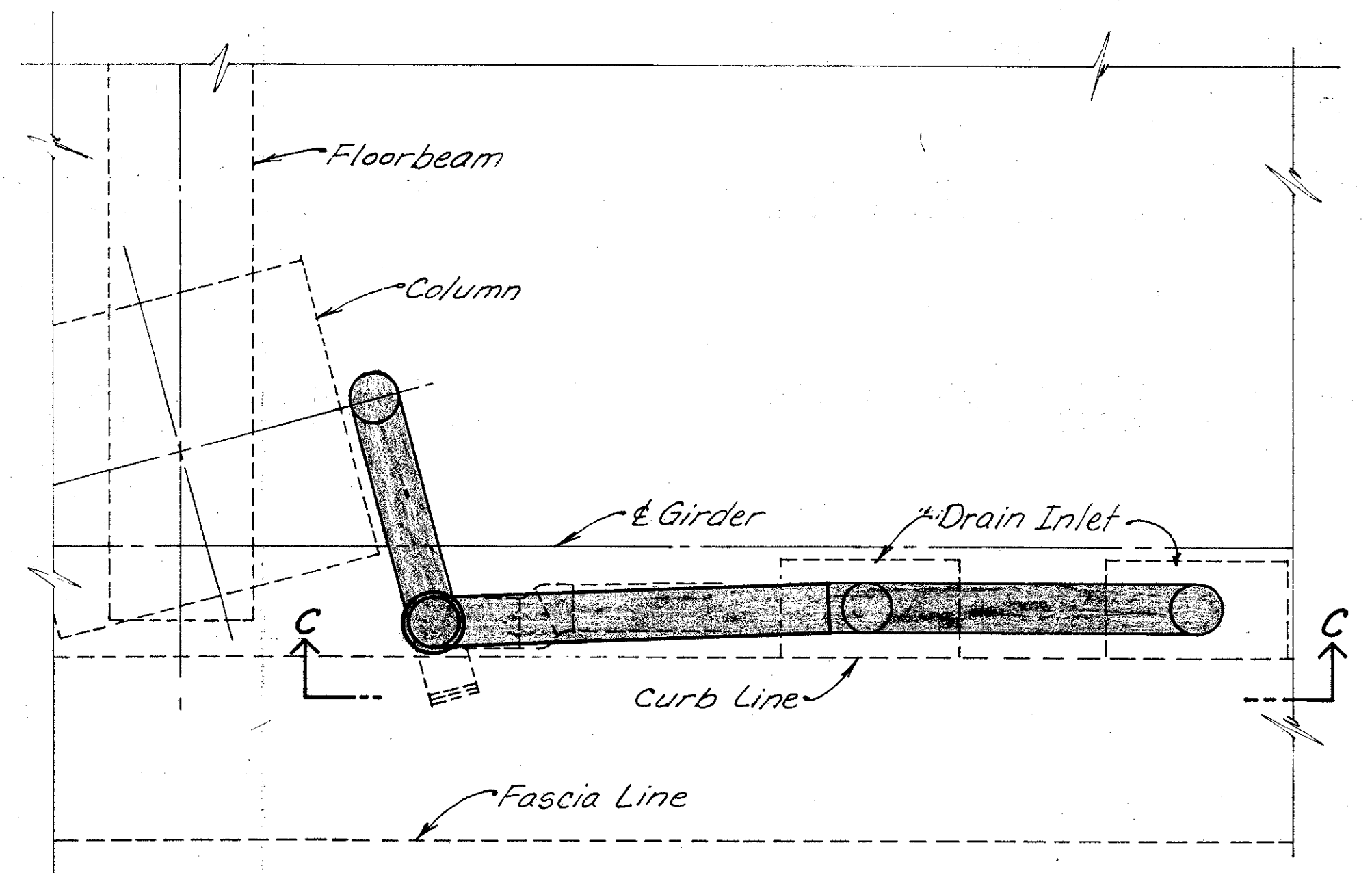
**PLAN FOR TYPE D**  
At Pier 1 (No Work Required)



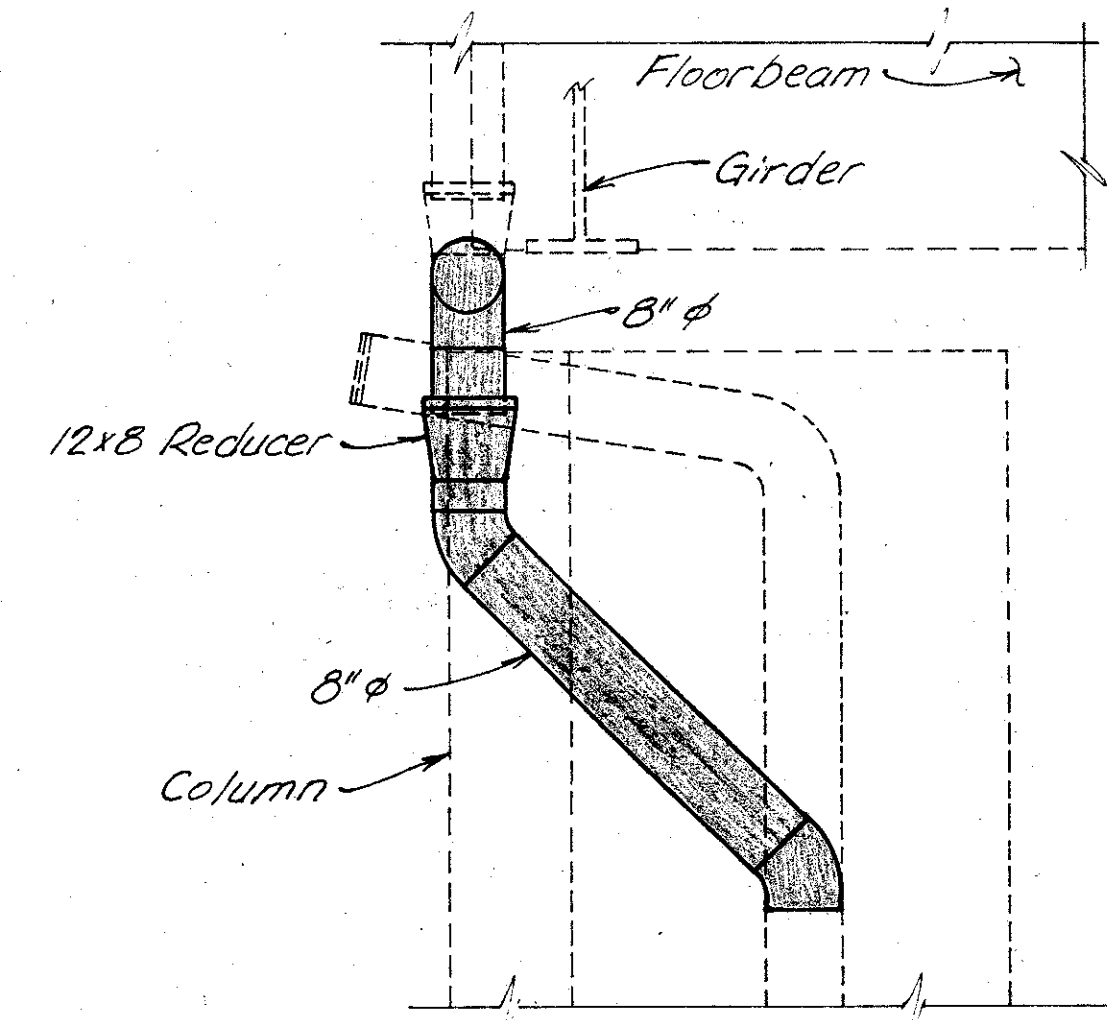
**SECTION A-A**



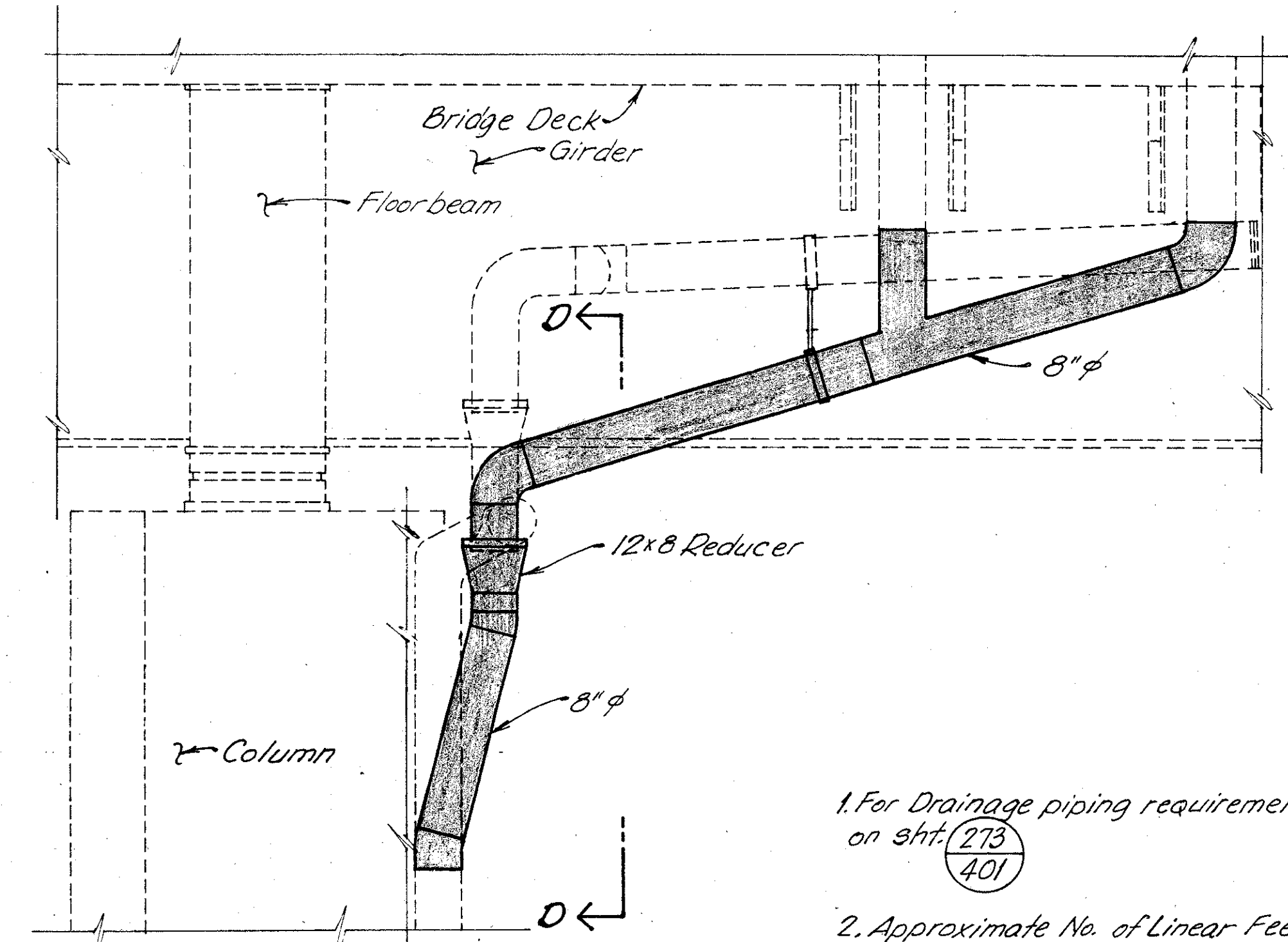
**SECTION B-B**



**PLAN FOR TYPE E**  
At Pier 2



**SECTION D-D**



**SECTION C-C**

1. For Drainage piping requirements see General Notes on sht. (273) 401
2. Approximate No. of Linear Feet of proposed 8" pipe (including specials) = 70'

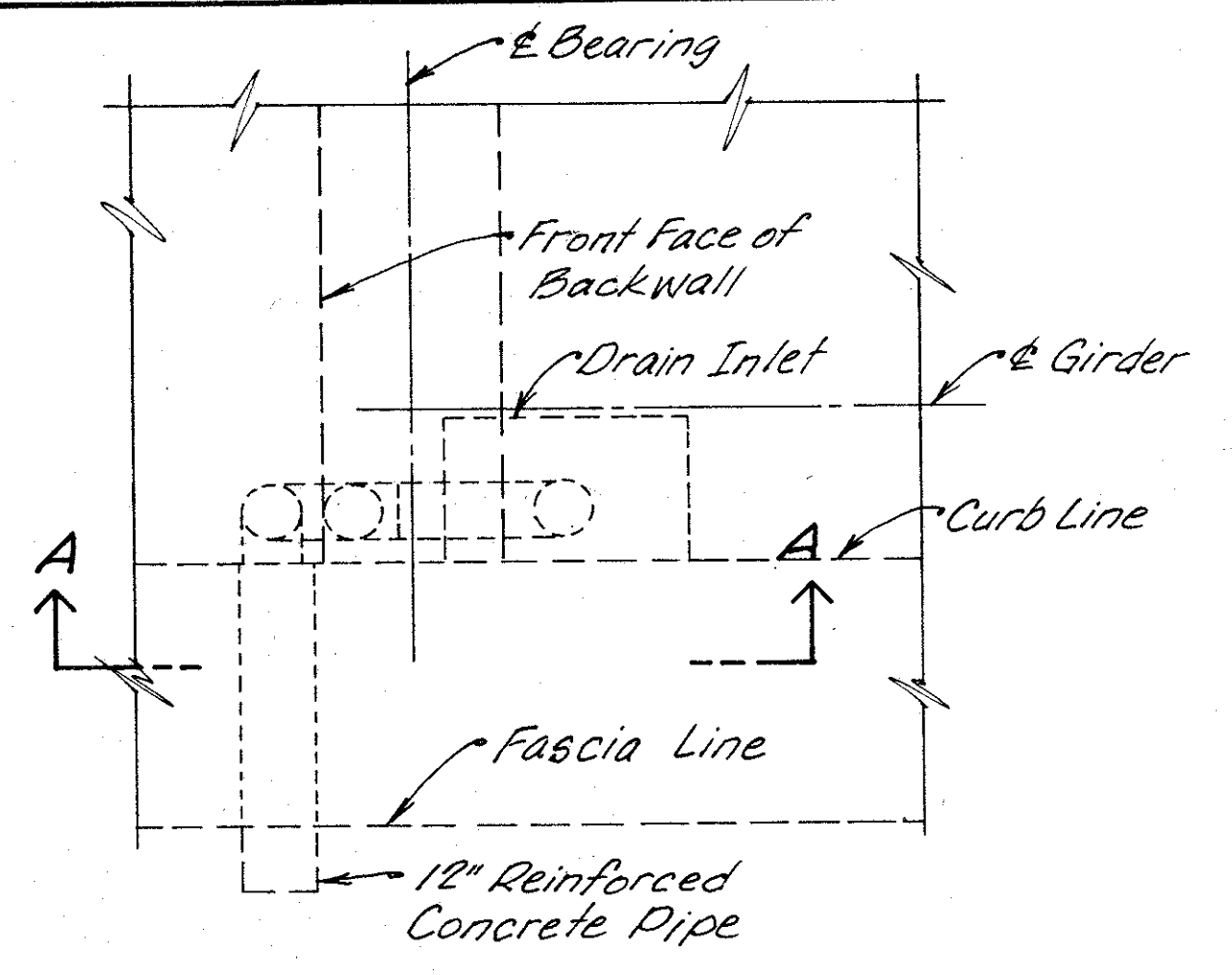
**WOOLPERT CONSULTANTS**  
409 East Monument Avenue  
Dayton, Ohio 45402-1226

**DRAINAGE DETAILS**

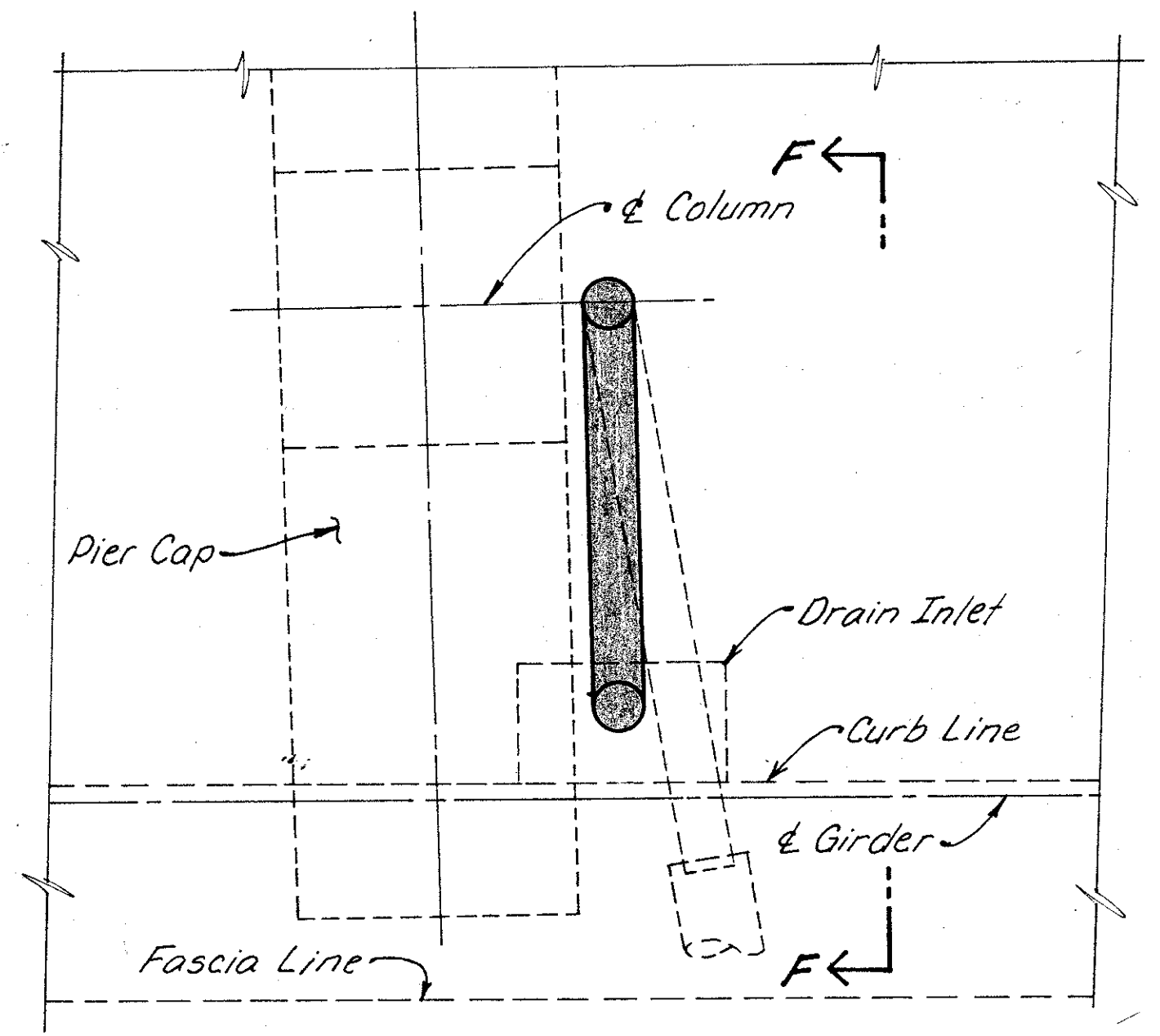
BRIDGE NO. HAM-71-0243L  
OVER RAMP RF, NORTHBOUND READING ROAD AND EDEN PARK ENTRANCE

HAMILTON COUNTY					
DESIGNED	DRAWN	TRACED	CHECKED	REVIEWED	DATE
L.A.T.A.	L.A.P.		D.E.M.	P.W.G.	11/11/94

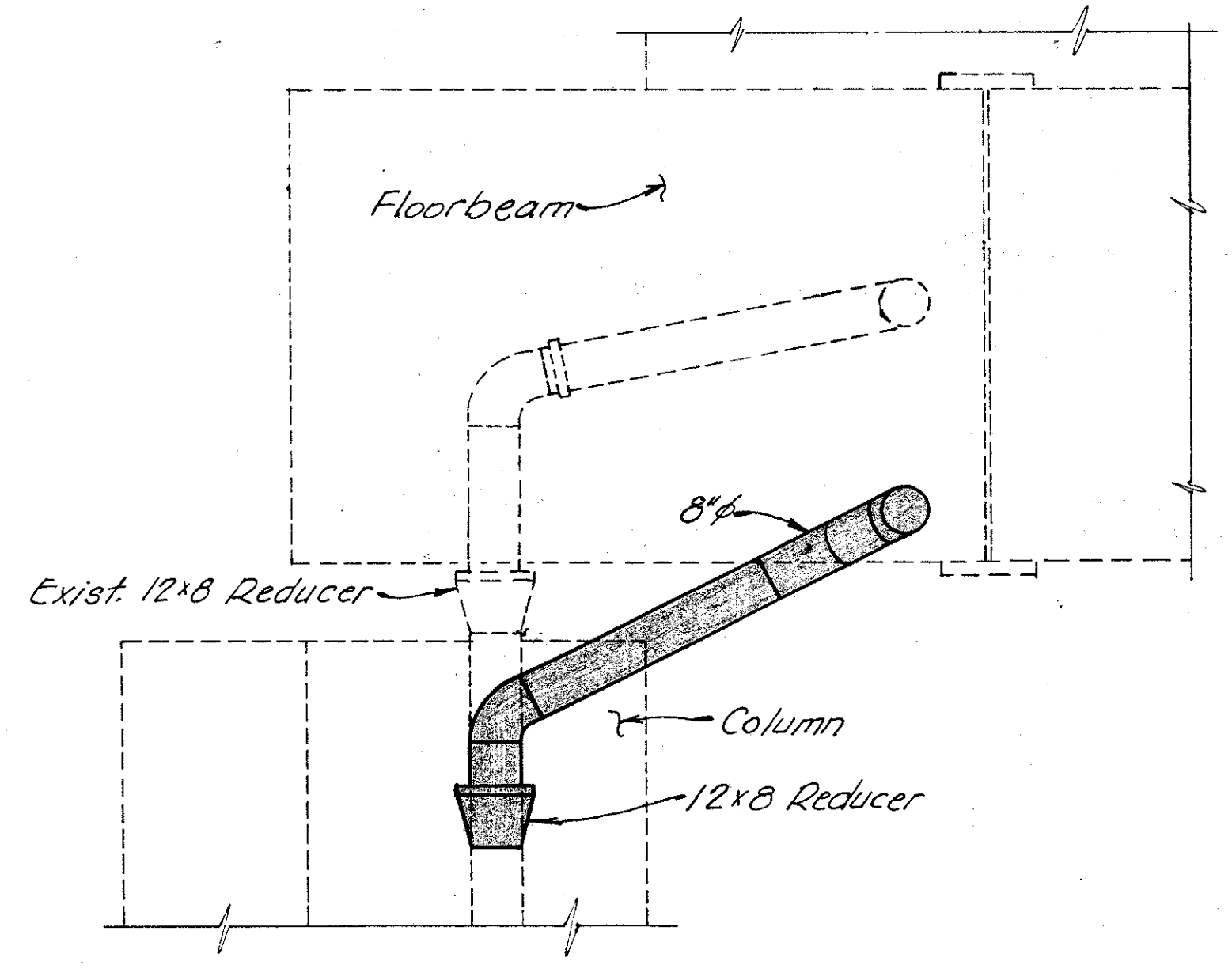




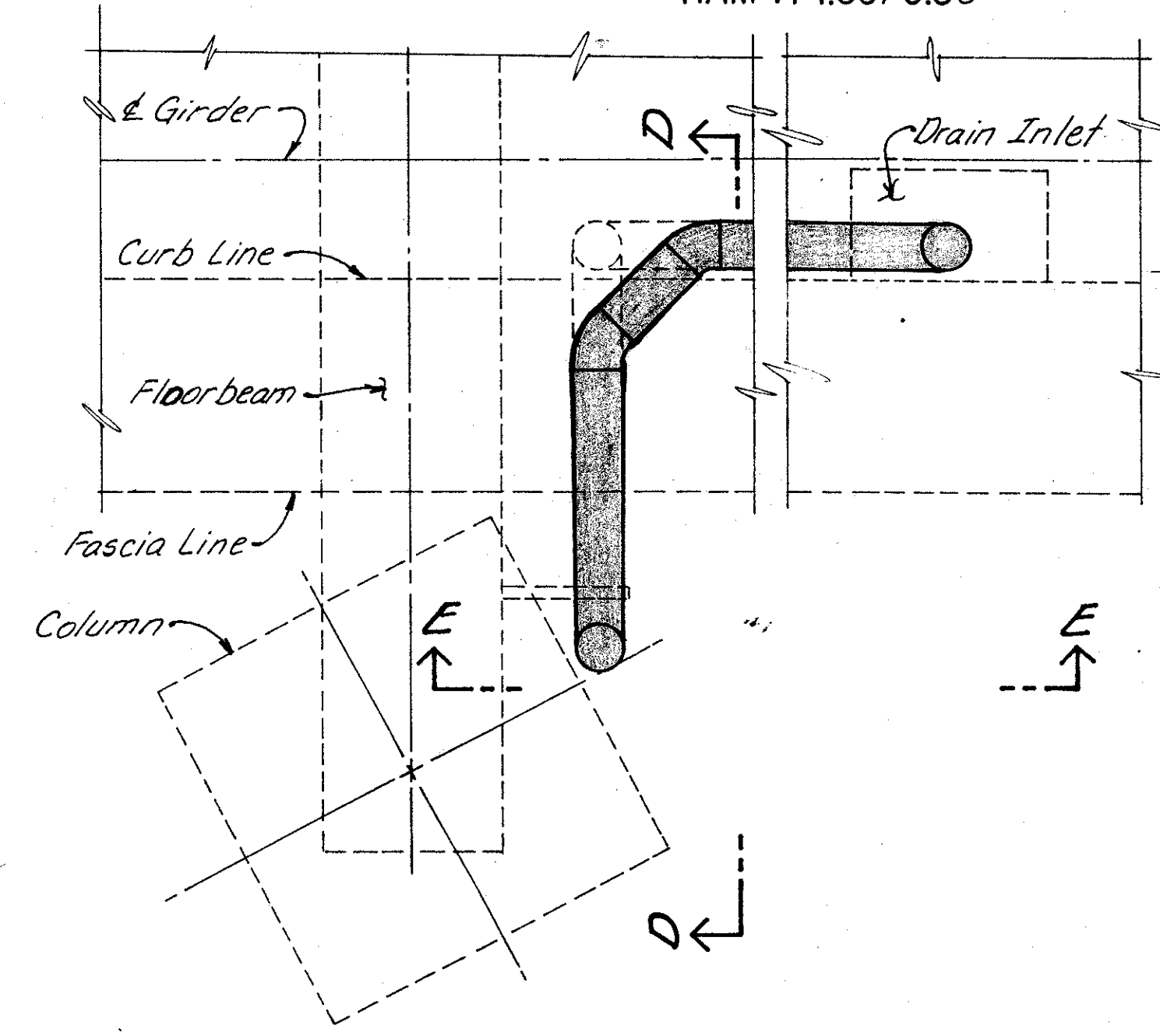
**PLAN FOR TYPE C (Rear Abutment)**  
- NO WORK REQUIRED -



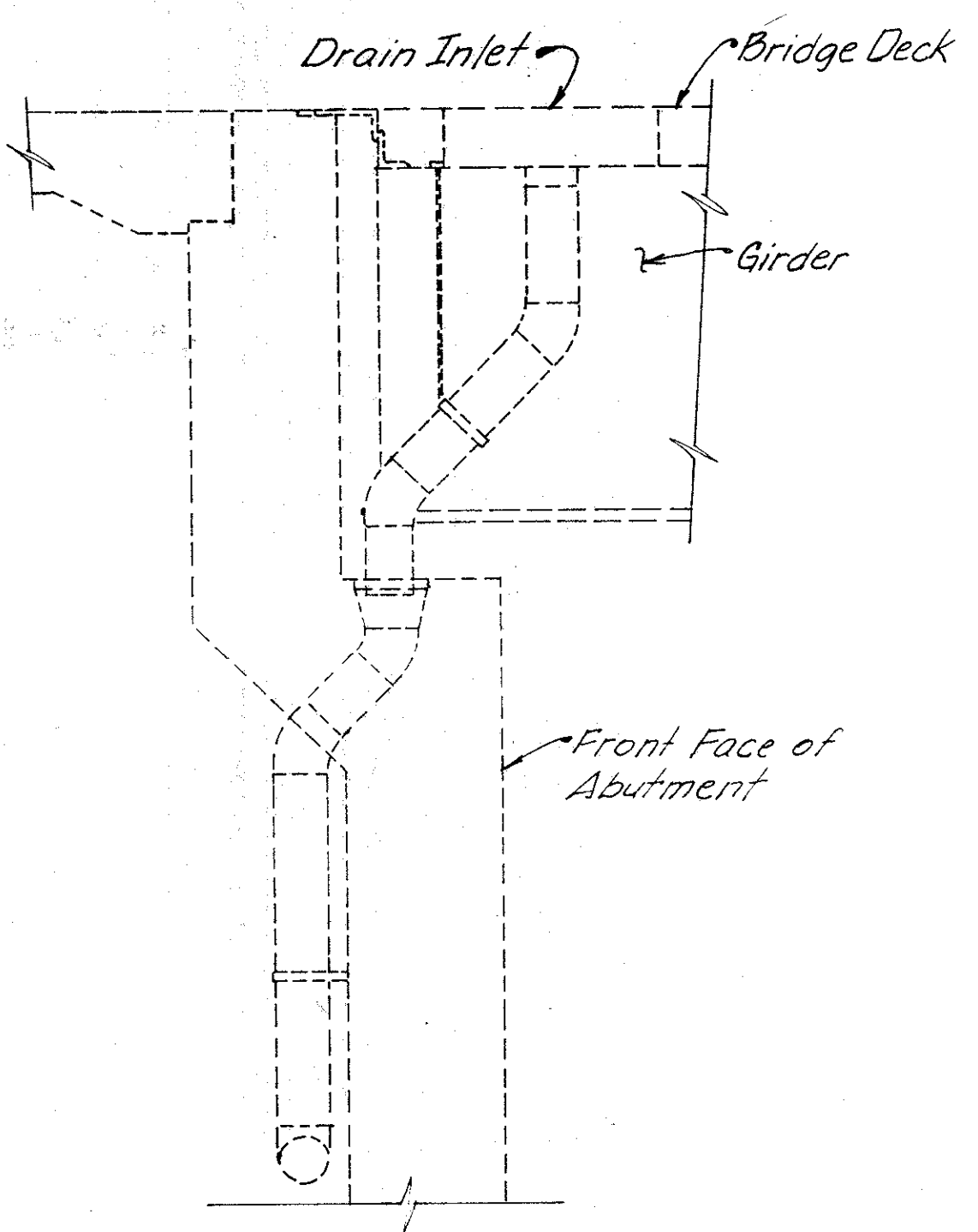
**PLAN FOR TYPE B**  
At Pier 6



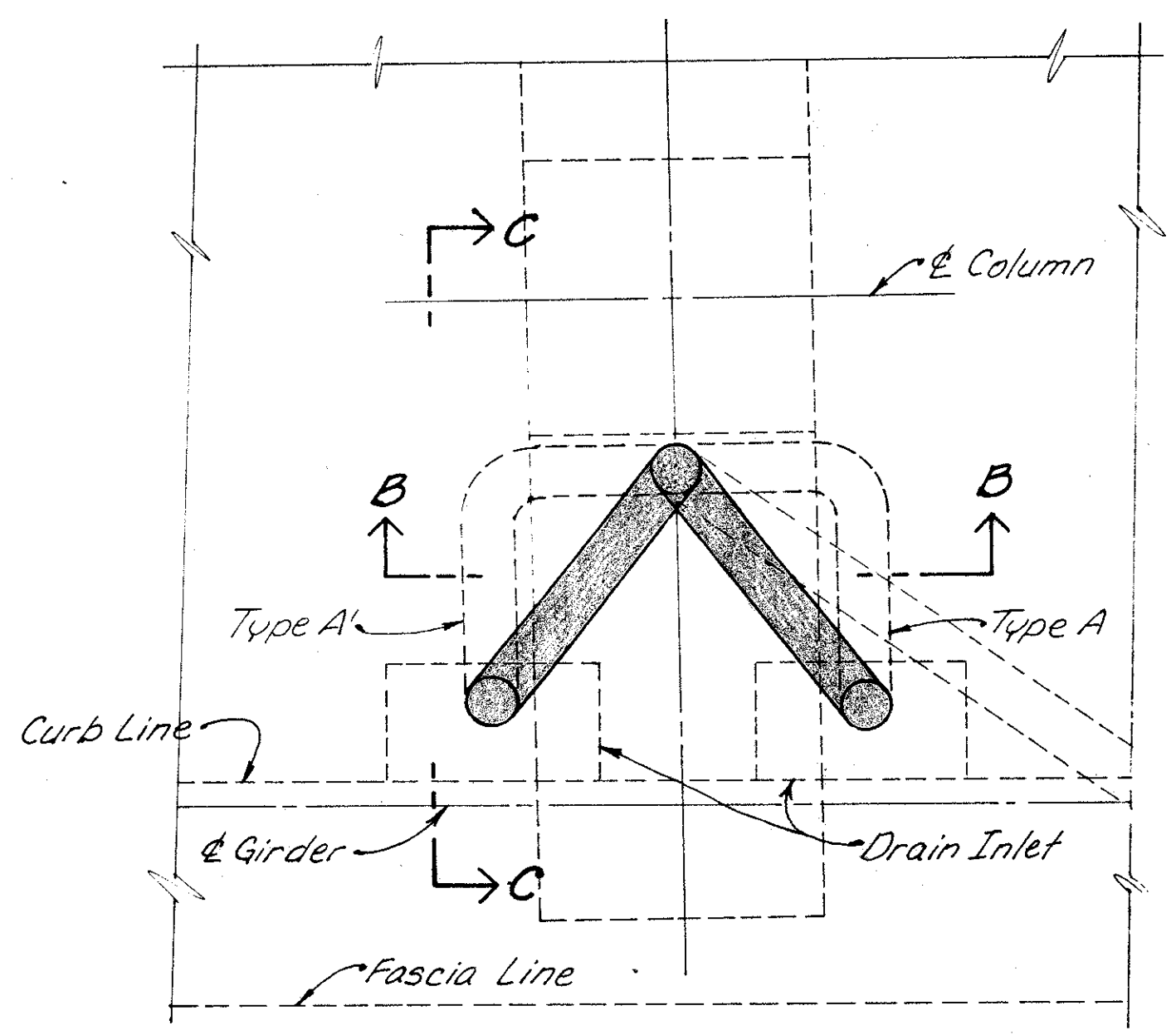
**SECTION D-D**



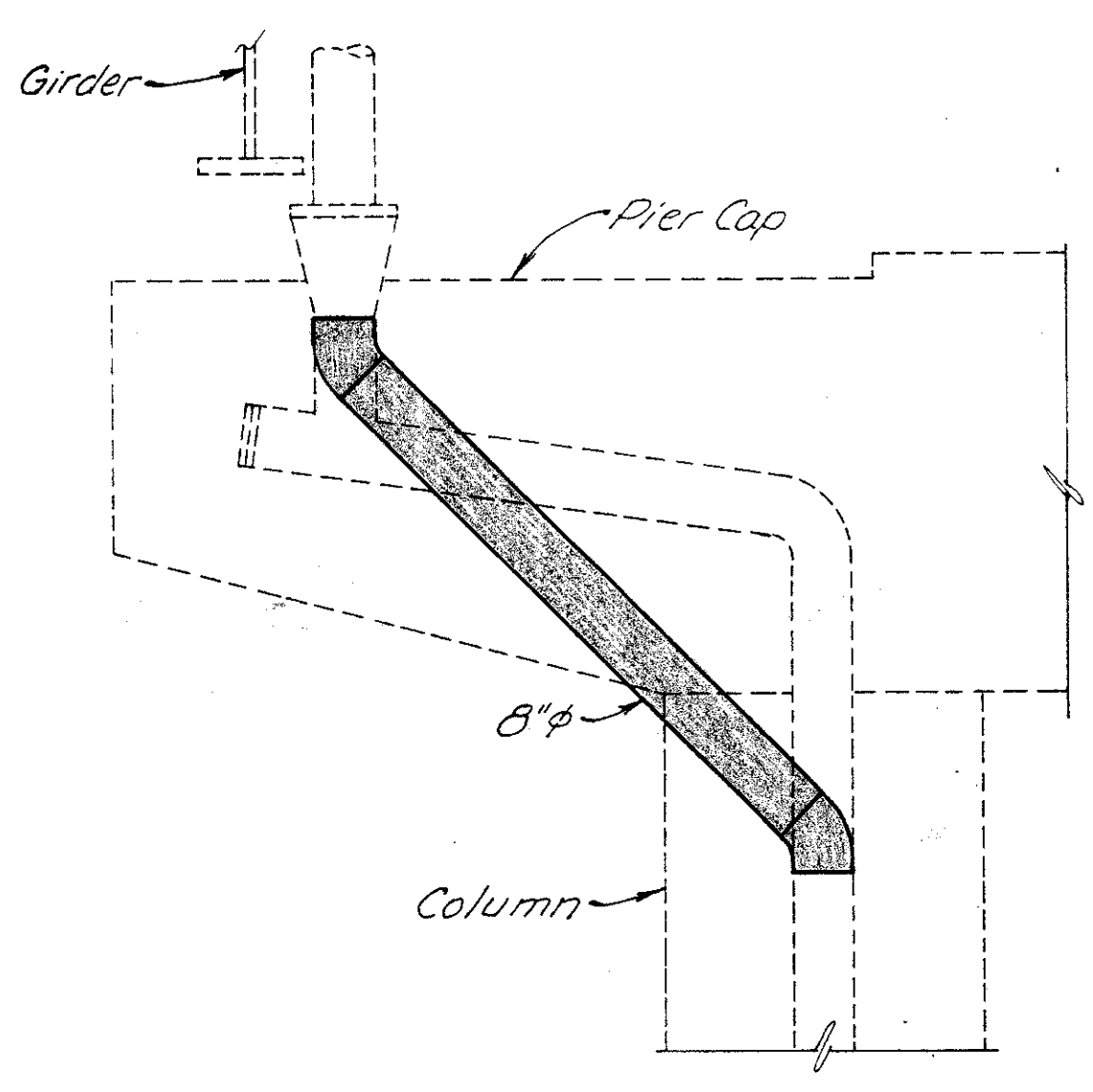
**PLAN FOR TYPE F**  
At Pier 3



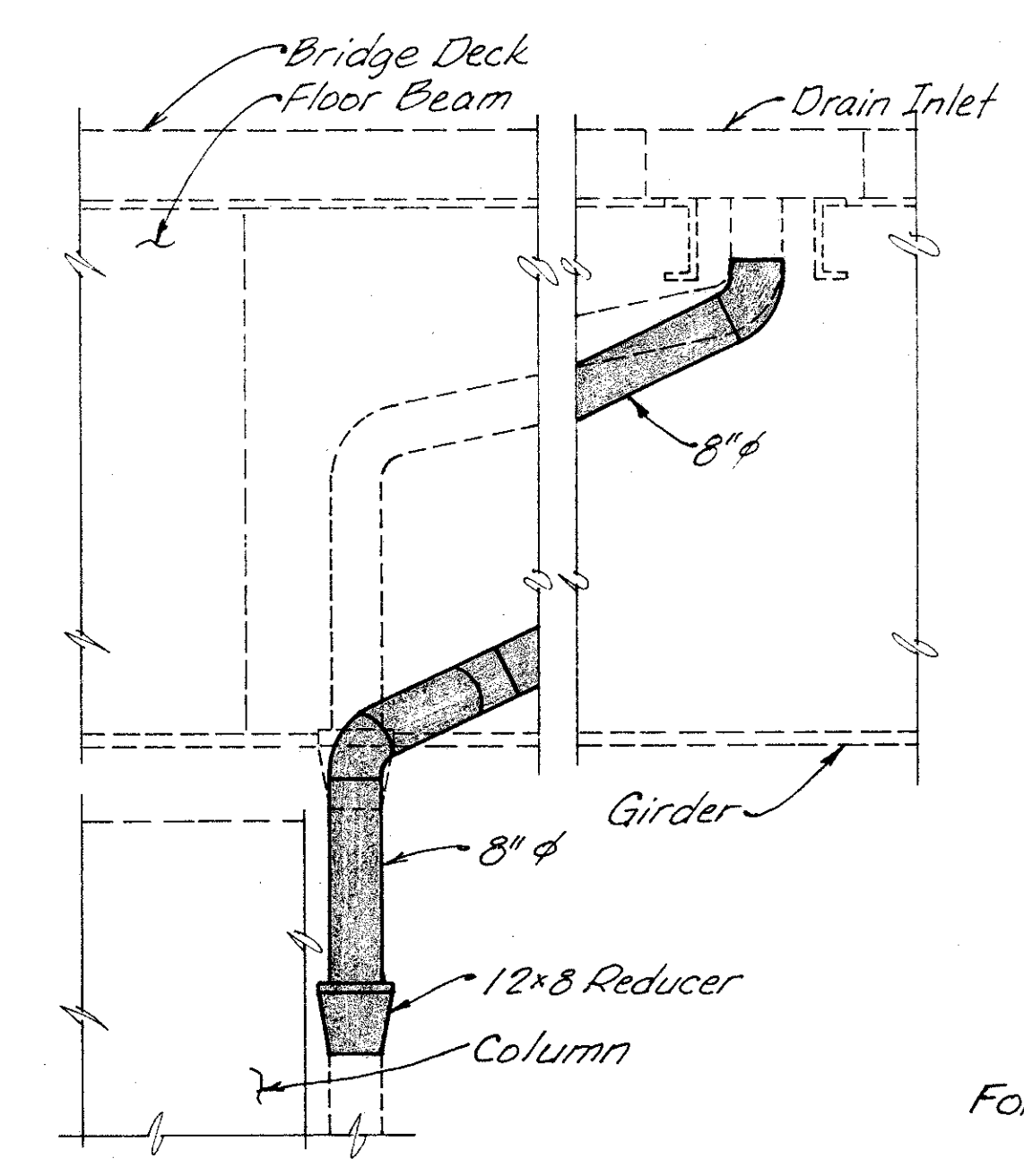
**SECTION A-A**



**PLAN FOR TYPE A OR A'**  
Type A At Pier 4, Type A' At Pier 5

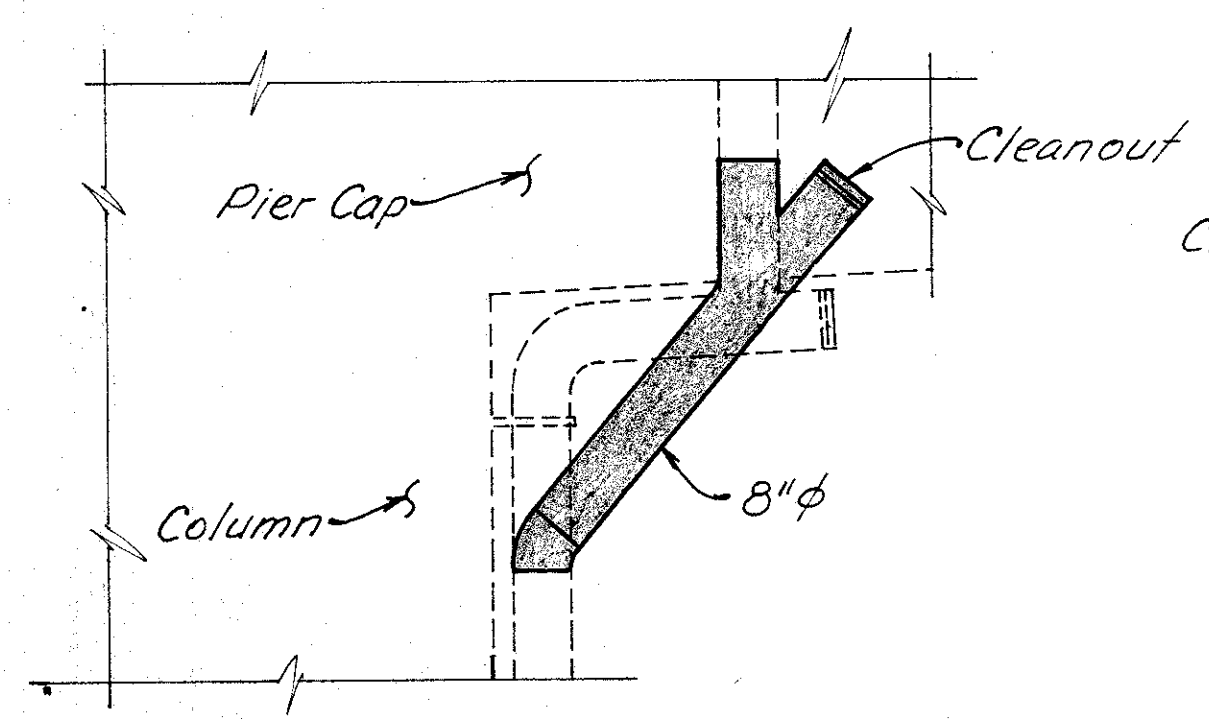


**SECTION F-F**

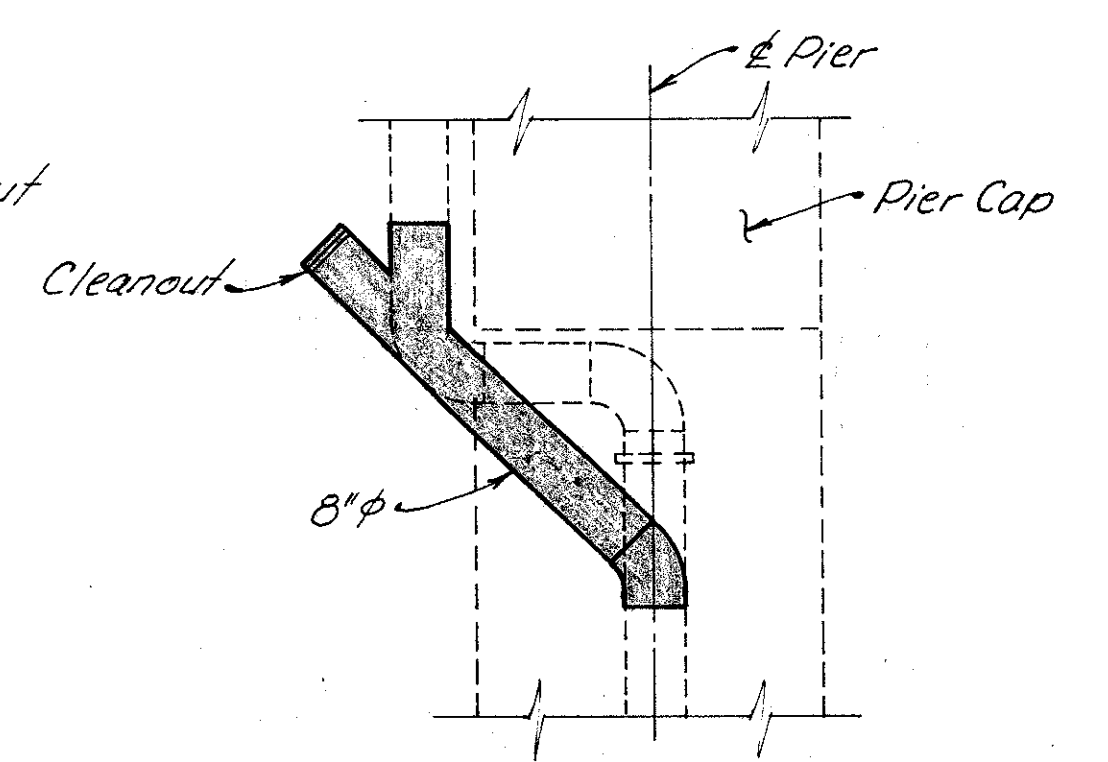


**SECTION E-E**

For Notes see sh. 10/11

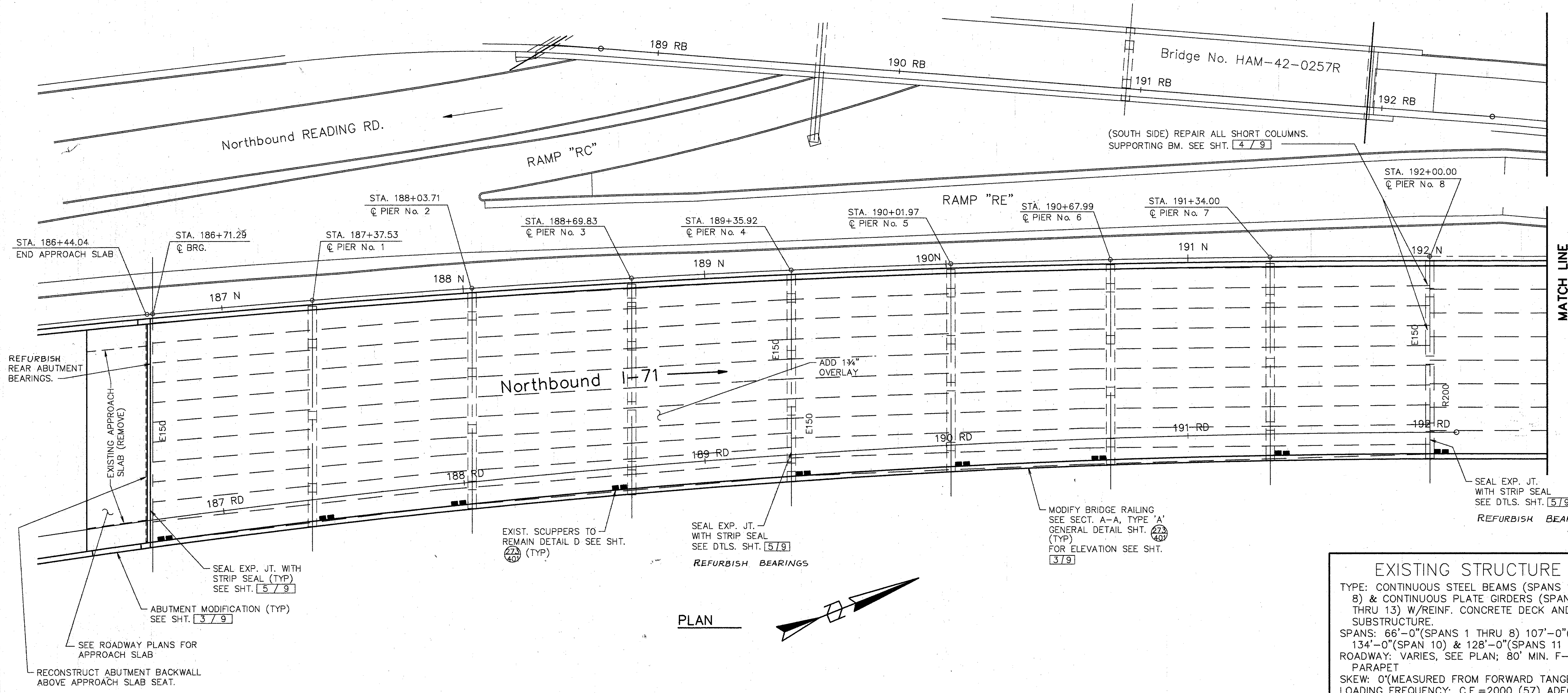


**SECTION C-C**  
Type A' shown. Type A same but opposite hand.

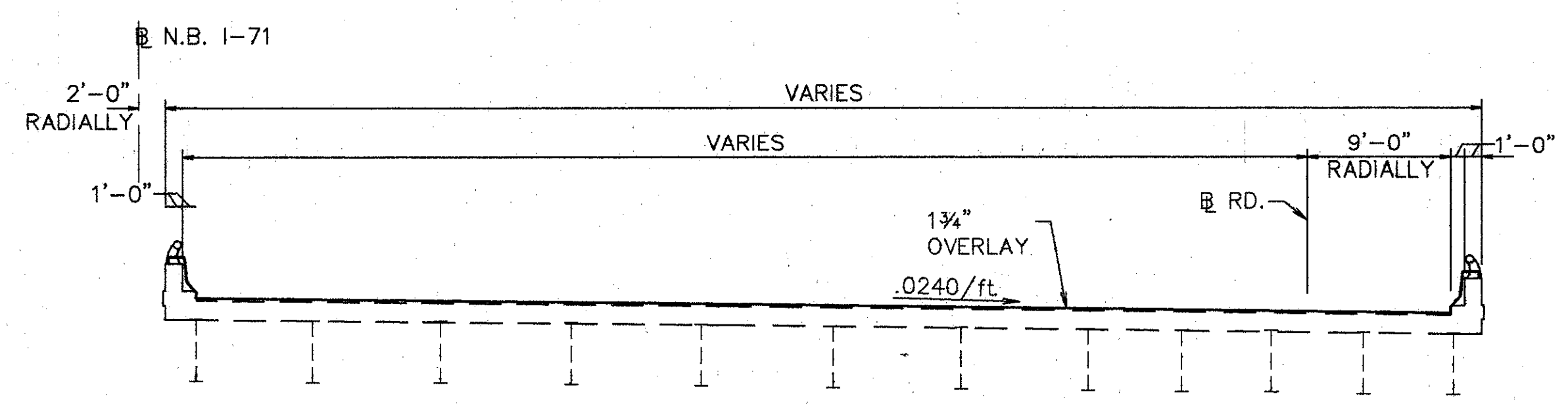
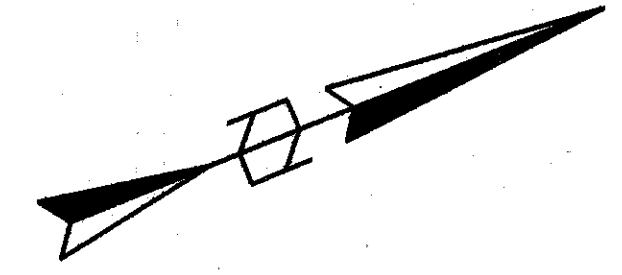


**SECTION B-B**  
Type A' shown. Type A same but opposite hand.

<b>WOOLPERT CONSULTANTS</b> 409 East Monument Avenue Dayton, Ohio 45402-1228		11/11	
<b>DRAINAGE DETAILS</b>			
BRIDGE NO. HAM-71-0243L OVER RAMP RF, NORTHBOUND READING ROAD AND EDEN PARK ENTRANCE			
HAMILTON COUNTY			
DESIGNED	DRAWN	TRACED	CHECKED
L.A.T.M.	L.A.P.	DEM.	P.W.G.
			11/11/99
			REVIS



PLAN



TYP. BRIDGE SECTION

ROCKER OR SLIDING P.	JACK CAPACITY REQ'D. (MIN)
R200	150 TON
E150	75 TON

**EXISTING STRUCTURE**  
 TYPE: CONTINUOUS STEEL BEAMS (SPANS 1 THRU 8) & CONTINUOUS PLATE GIRDERS (SPANS 9 THRU 13) W/REINF. CONCRETE DECK AND SUBSTRUCTURE.  
 SPANS: 66'-0" (SPANS 1 THRU 8) 107'-0" (SPAN 9) 134'-0" (SPAN 10) & 128'-0" (SPANS 11 THRU 13)  
 ROADWAY: VARIES, SEE PLAN; 80' MIN. F-F PARAPET  
 SKEW: 0' (MEASURED FROM FORWARD TANGENT)  
 LOADING FREQUENCY: C.F.=2000 (57) ADEQUATE FOR A.A.S.H.O. ALTERNATE LOADING  
 WEARING SURFACE: 1" MONOLITHIC CONCRETE  
 APPROACH SLABS: AS-1-54 (25'-0" LONG)  
 ALIGNMENT: SEE PLAN  
 SUPERELEVATION: VARIES, SEE PLAN

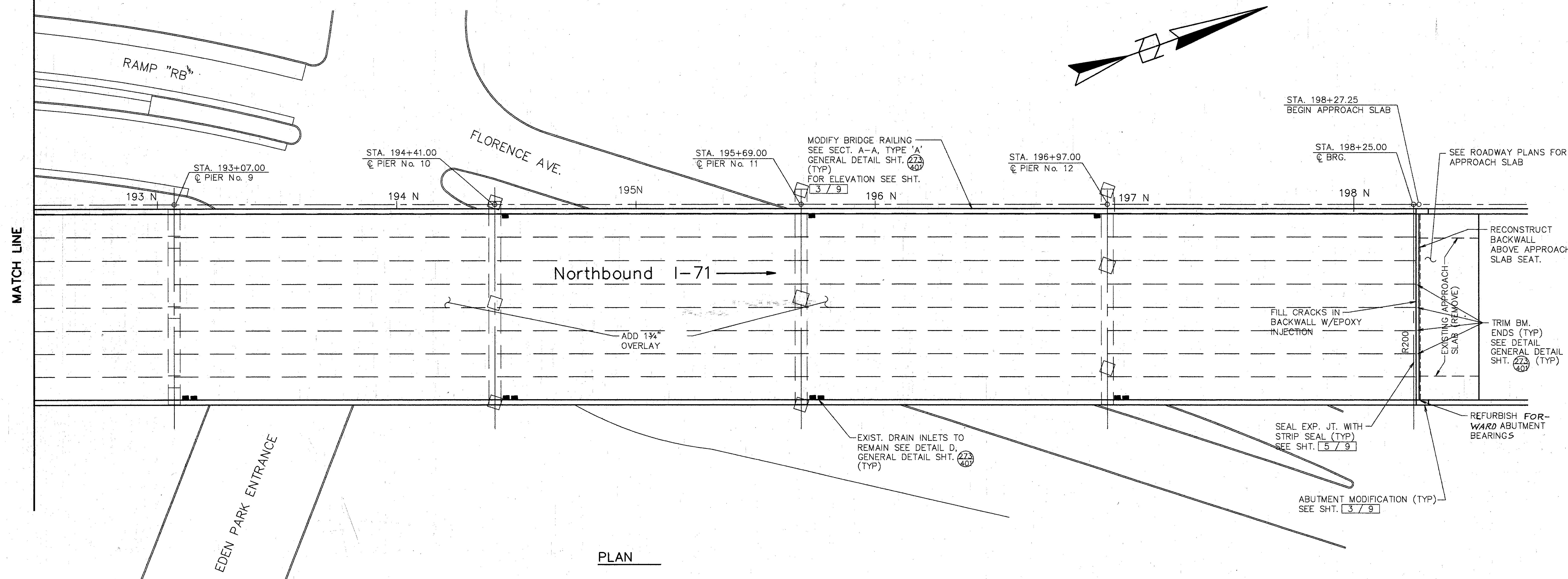
**WOOLPERT CONSULTANTS**  
 409 E. MONUMENT AVENUE  
 DAYTON, OHIO 45402-1226  
 (513) 461-5660

GENERAL PLAN

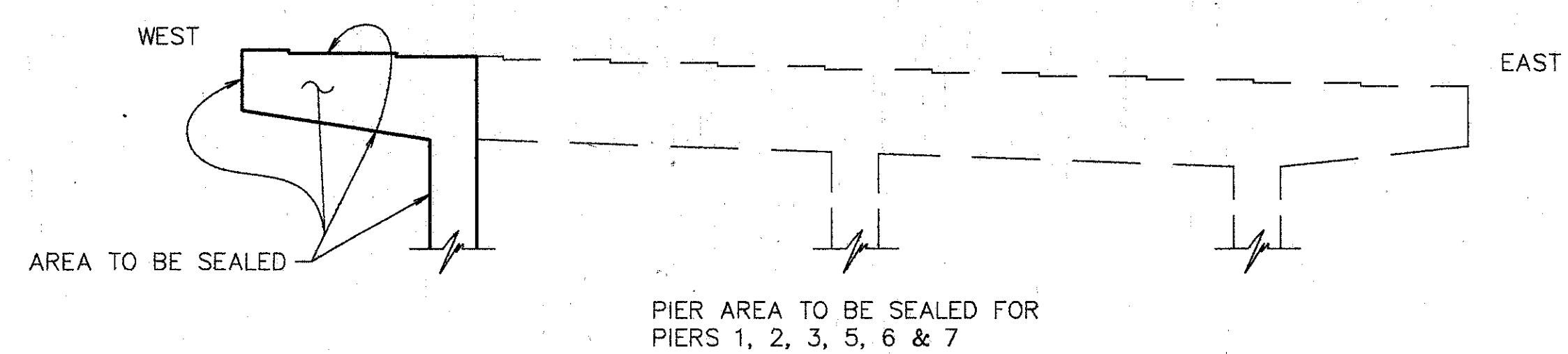
BRIDGE NO. HAM-71-0243 R  
 OVER EDEN PARK ENTR.  
 HAMILTON COUNTY  
 DESIGNED: L.A.T.M. DRAWN: D.E.E. TRACED: M.A.A. CHECKED: M.A.A. REVIEWED: DEM 11/11/94 DATE: 11/11/94

Lot 106 MAY 15, 1991 © 7:11 PM  
 C:\STR\10596-00\235871.Lot Revision By: RACH OCT. 7, 1992 © 8:56 AM





PLAN



NOTES:

1. MODIFY DRAINAGE PIPING. SEE SHT. 7/9
2. SEAL PARAPETS, BACKWALLS & PIERS. SEAL PIERS 1, 2, 3, 5, 6, & 7 WITH EPOXY OR NON-EPOXY. SEAL ONLY THE WEST PORTION AS DETAILED ON THIS SHT. SEAL PIERS 4 & 8 WITH EPOXY. SEAL COMPLETELY EXCEPT FOR 1/4 THE COLUMN PERIMETER AWAY FROM TRAFFIC. SEAL PIER 9 THRU 12 WITH EPOXY OR NON-EPOXY. SEAL COMPLETELY EXCEPT FOR TOPS OF COLUMNS.
3. SEE JUNCTION BOX EXTENSION DETAIL GENERAL DETAIL SHT. 273/407 FOR BARRIER RETROFIT AT JUNCTION BOXES. REFER TO LIGHTING PLANS FOR TYPE AND LOCATION.

**WOOLPERT CONSULTANTS**  
 409 E. MONUMENT AVENUE  
 DAYTON, OHIO 45402-1226  
 (513) 461-5660

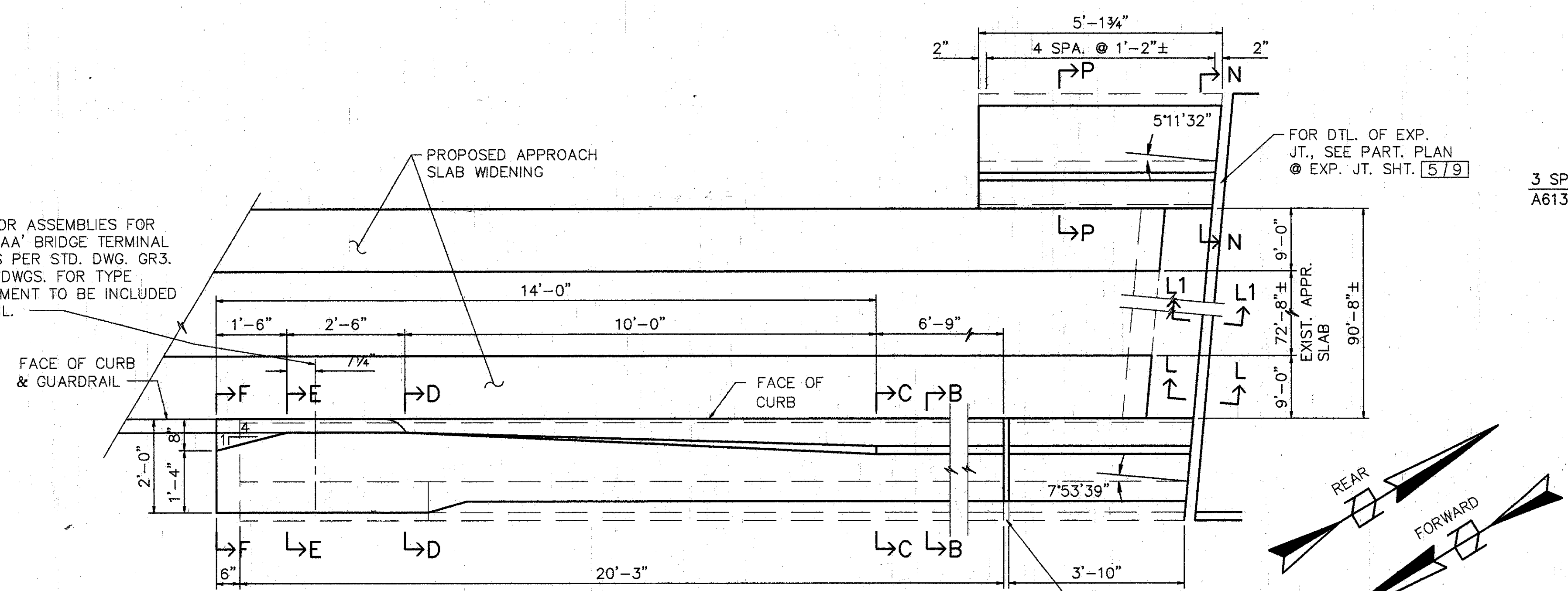
GENERAL PLAN

BRIDGE NO. HAM-71-0243 R  
 OVER EDEN PARK ENTR.

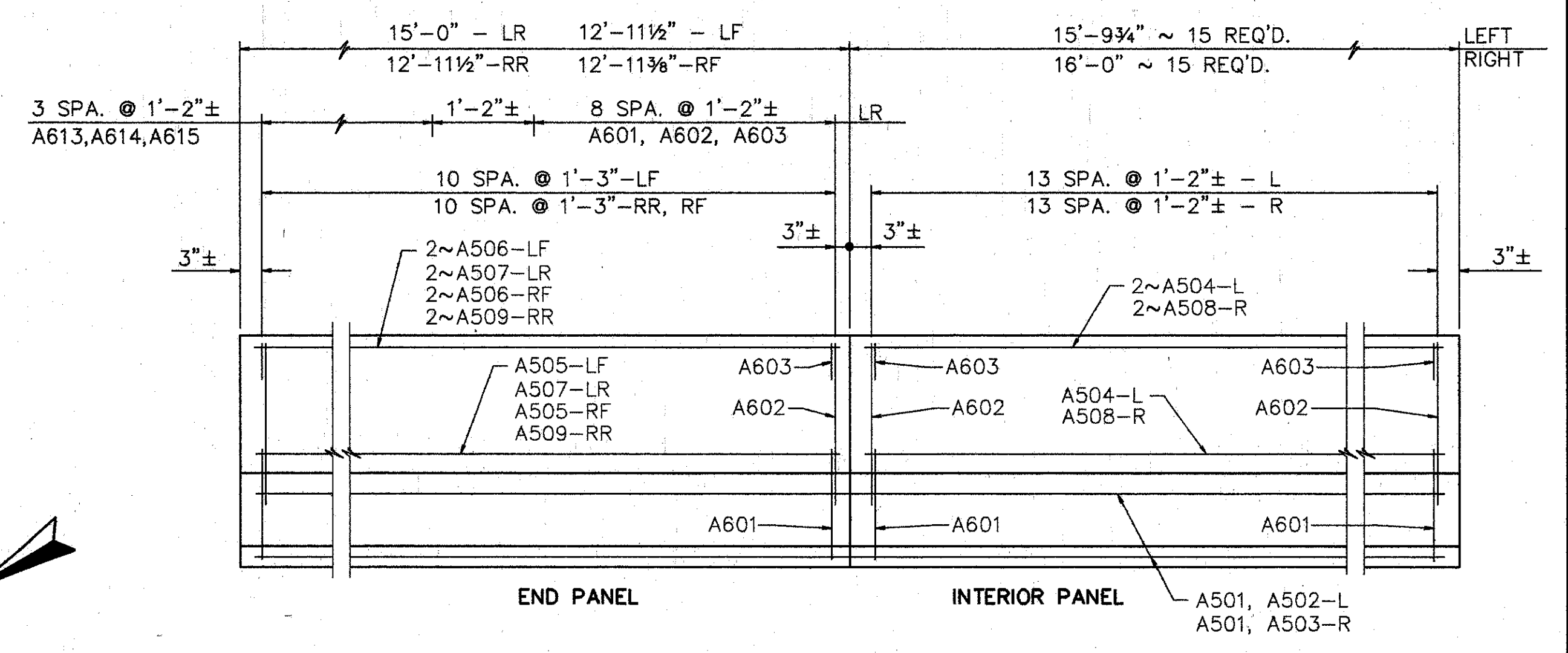
HAMILTON COUNTY					
DESIGNED	DRAWN	TRACED	CHECKED	REVIEWED	DATE
L.A.T.M.	D.E.E.		M.A.A.	DEM	11/11/94

Plot File: MAY 10, 1991 @ 2:11 PM  
 Plot Device: HP-GL/2  
 Plot Location: C:\WORK\71-0243R\71-0243R.PLOT  
 Plot Scale: 1"=100'-0"

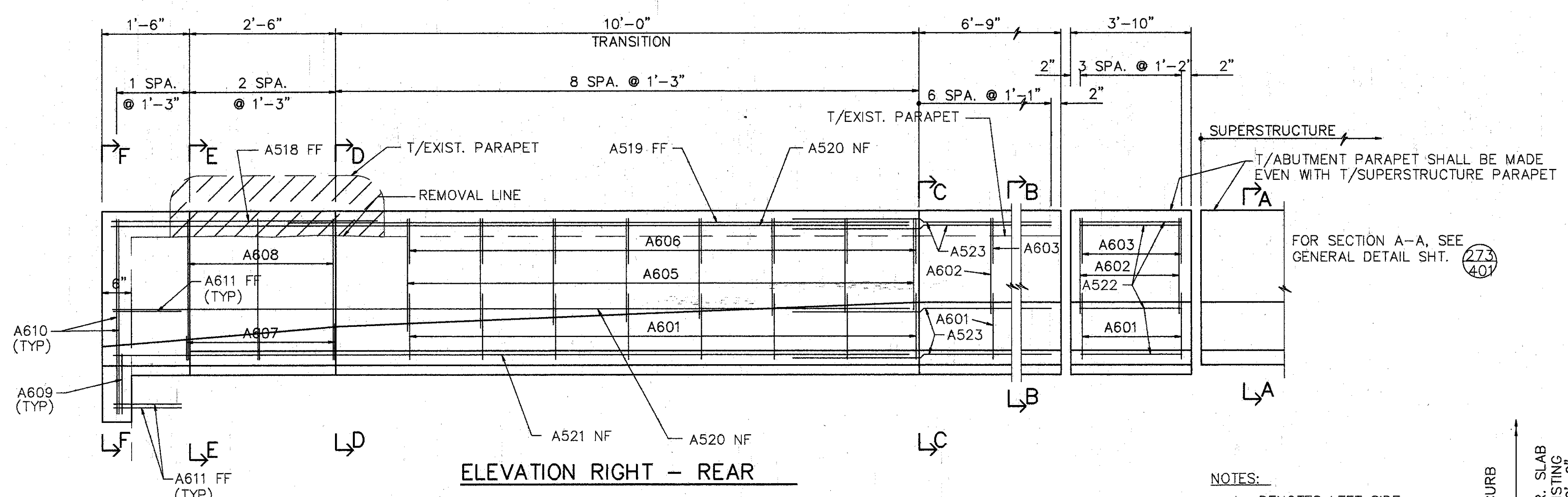
PROVIDE ANCHOR ASSEMBLIES FOR TYPE 'AT' OR 'AA' BRIDGE TERMINAL ASSEMBLIES AS PER STD. DWG. GR3. SEE ROADWAY DWGS. FOR TYPE LOCATION. PAYMENT TO BE INCLUDED WITH GUARDRAIL.



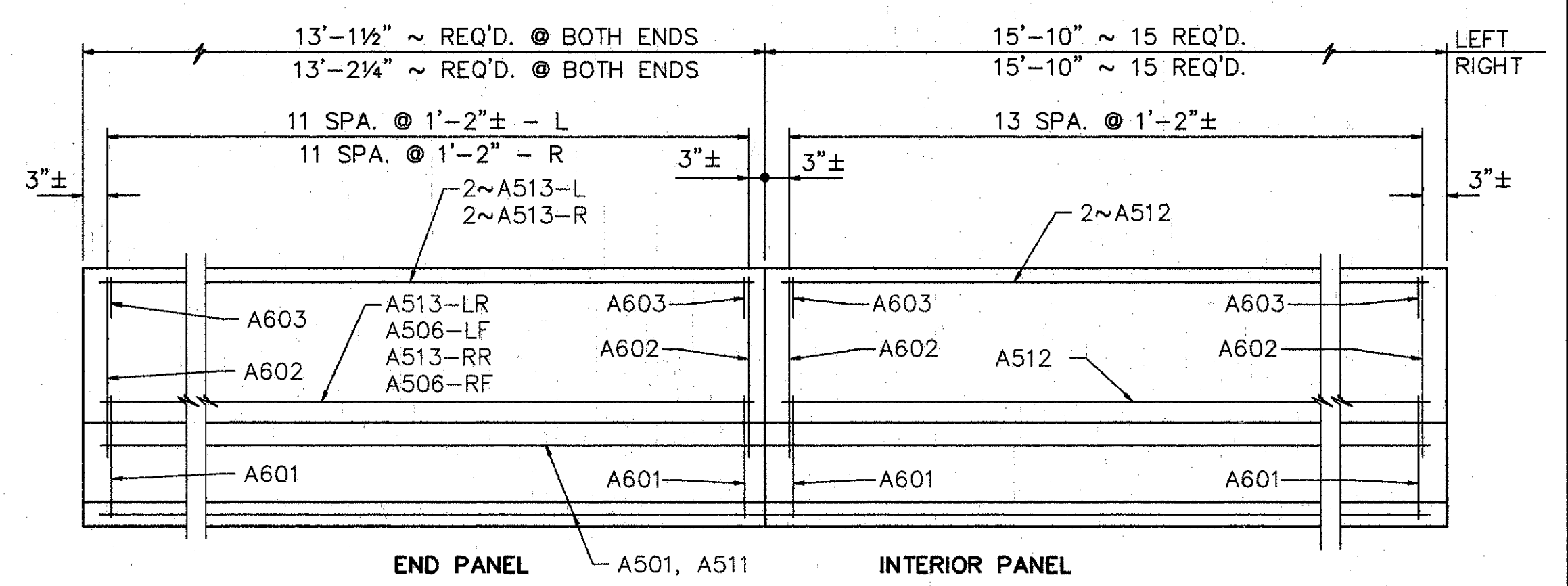
PLAN - ABUTMENT MODIFICATION (REAR)



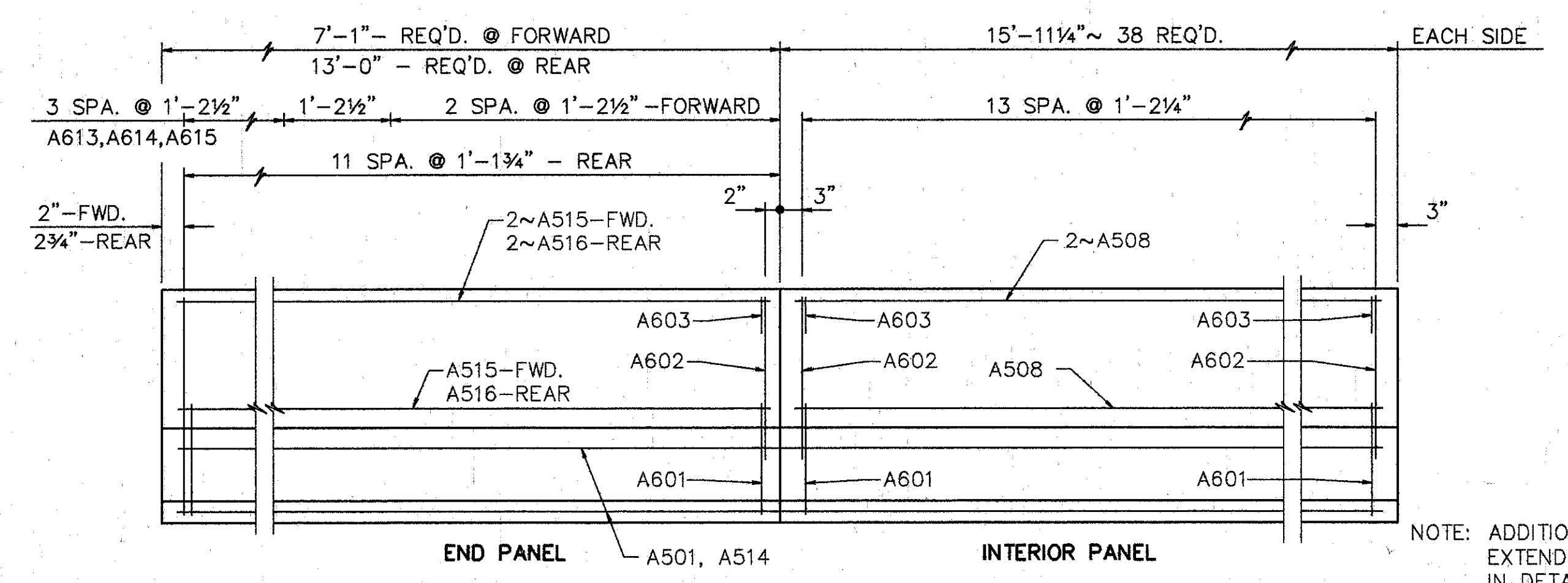
ELEVATION SUPERSTRUCTURE PARAPET SPAN 1-4



ELEVATION RIGHT - REAR



ELEVATION SUPERSTRUCTURE PARAPET SPAN 5-8

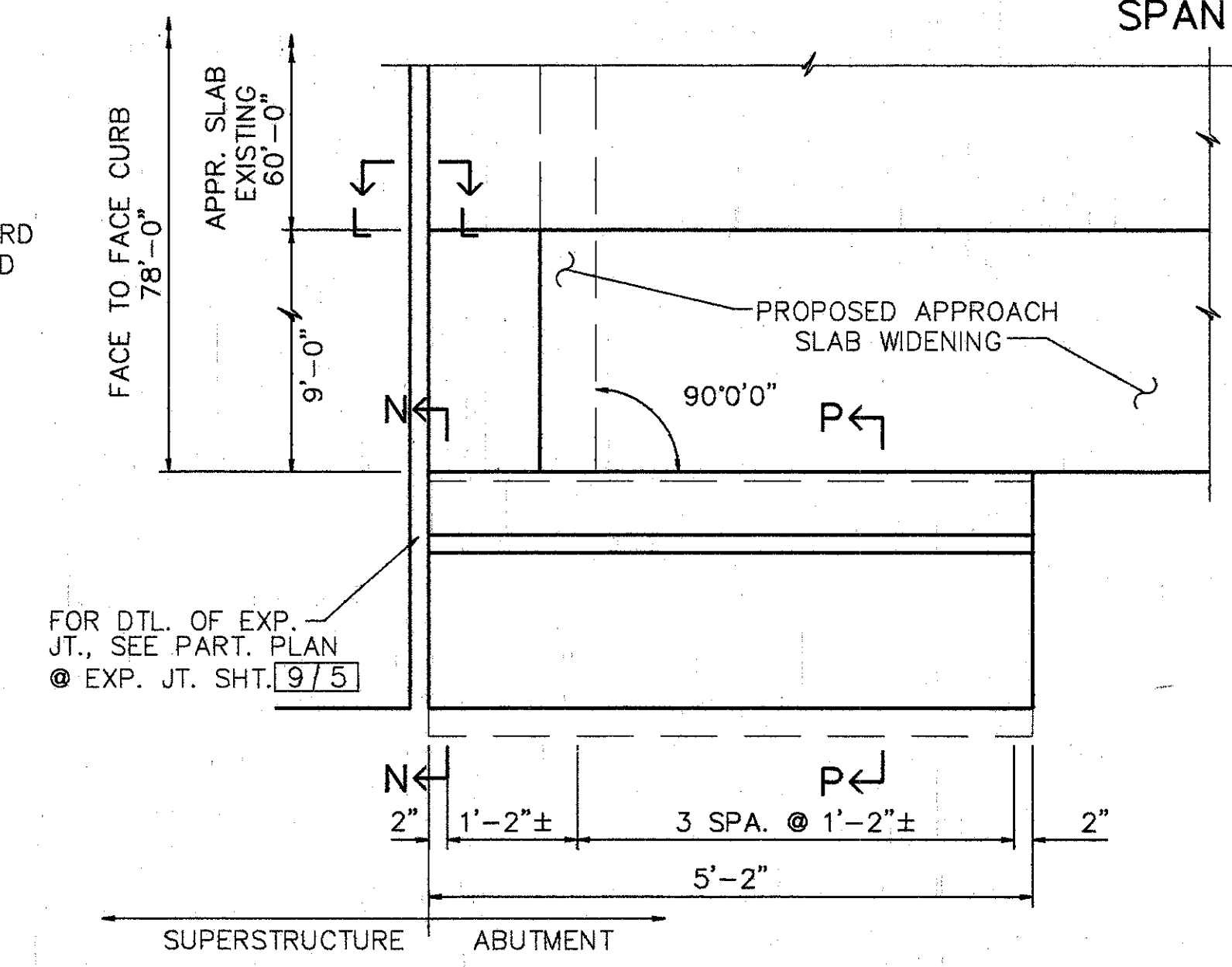


ELEVATION SUPERSTRUCTURE PARAPET SPAN 9-13

NOTES:  
 L DENOTES LEFT SIDE  
 R DENOTES RIGHT SIDE  
 RF DENOTES RIGHT FORWARD  
 LF DENOTES LEFT FORWARD  
 RR DENOTES RIGHT REAR  
 LR DENOTES LEFT REAR  
 NF DENOTES NEAR FACE  
 FF DENOTES FAR FACE

SEE NOTES SHT. 4/9

NOTE: ADDITIONAL A510 & A616 EXTEND EXISTING AS NOTED IN DETAIL.



PLAN - ABUTMENT MODIFICATION (FORWARD)  
 RIGHT WALL SHOWN, LEFT IS OPPOSITE HAND

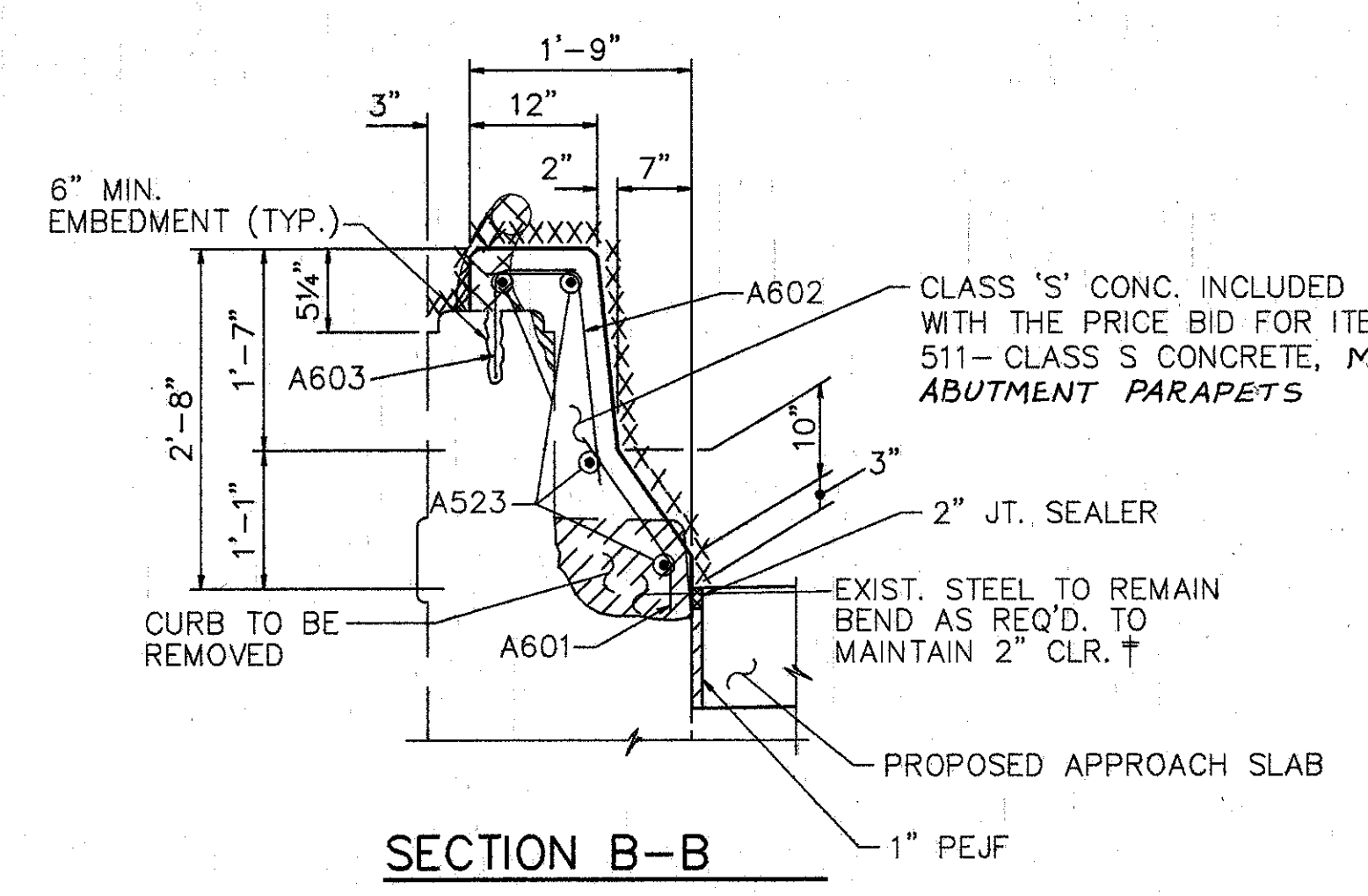
**WOOLPERT CONSULTANTS**  
 409 E. MONUMENT AVENUE  
 DAYTON, OHIO 45402-1226  
 (513) 461-5660

**PARAPET SECTIONS AND DETAILS**  
 BRIDGE NO. HAM-71-0243 R  
 OVER EDEN PARK  
 HAMILTON COUNTY

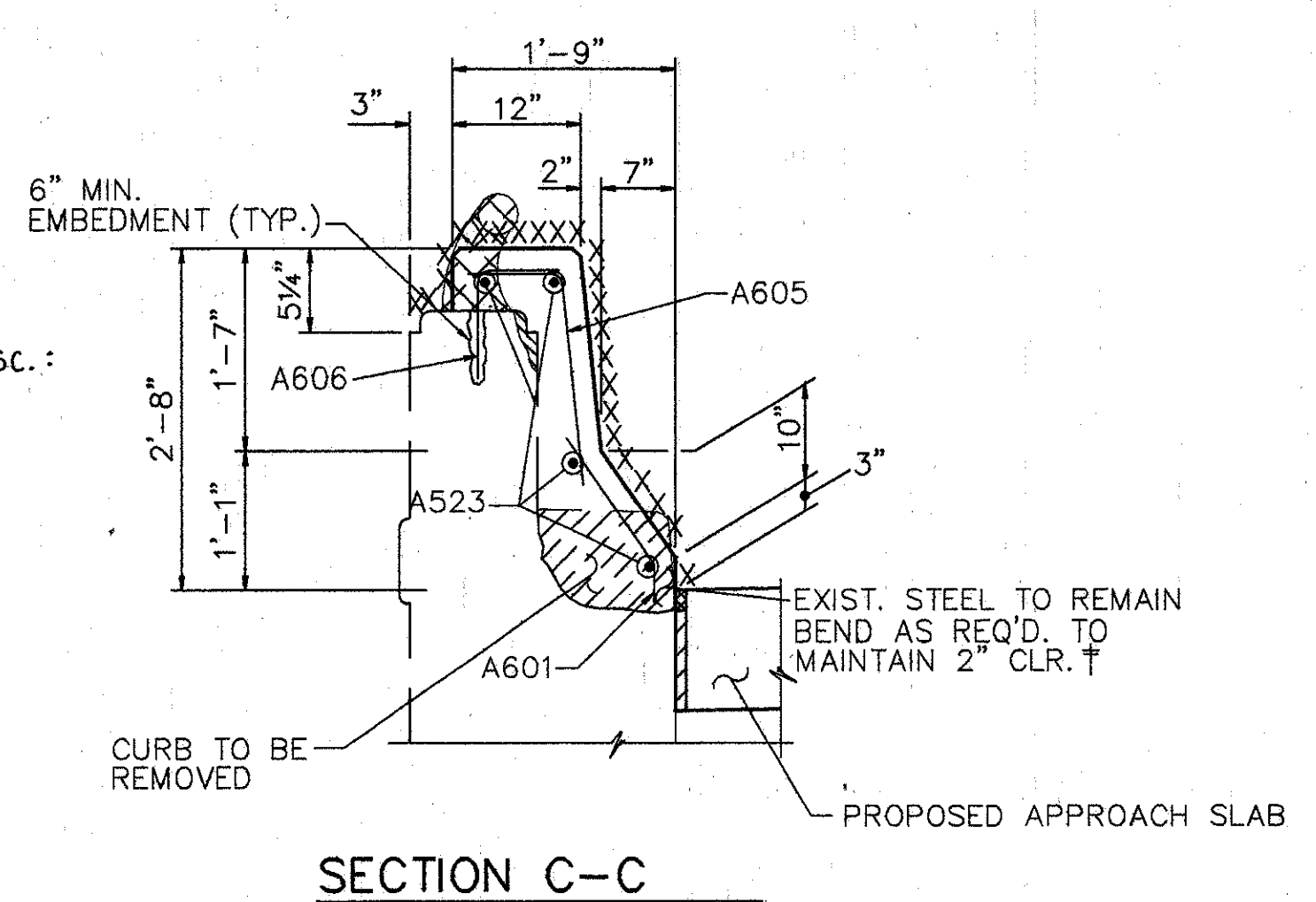
DESIGNED	DRAWN	TRACED	CHECKED	REVIEWED	DATE	REVISED
L.A.T.M.	D.E.E.		M.A.A.	DEM	11/11/94	

Lot Plot MAY 15, 1991 @ 7:42 PM  
 G:\STR\10596-00\2459173.Lot (Revision By: RACH) JUN 1, 1993 @ 8:50 AM

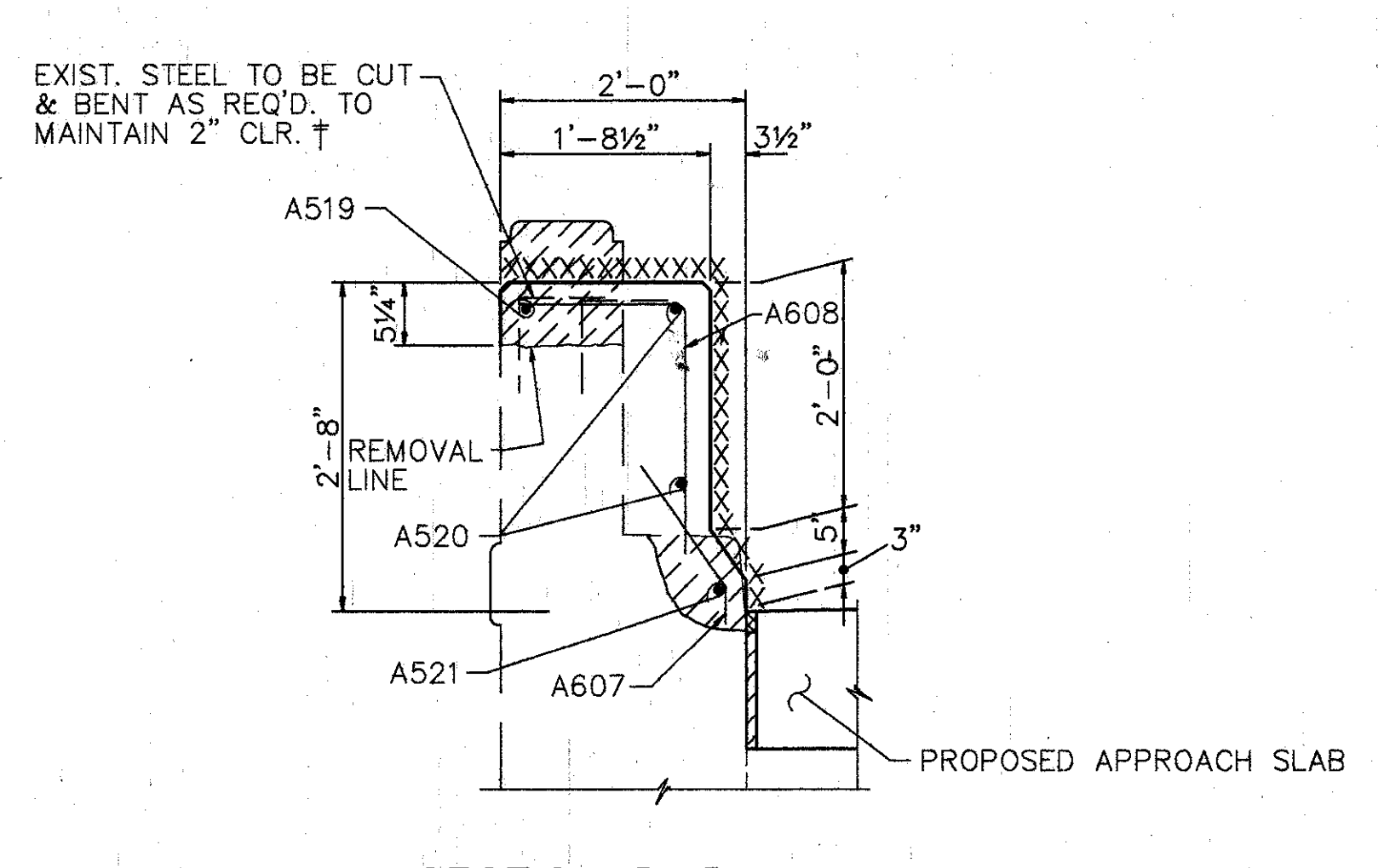




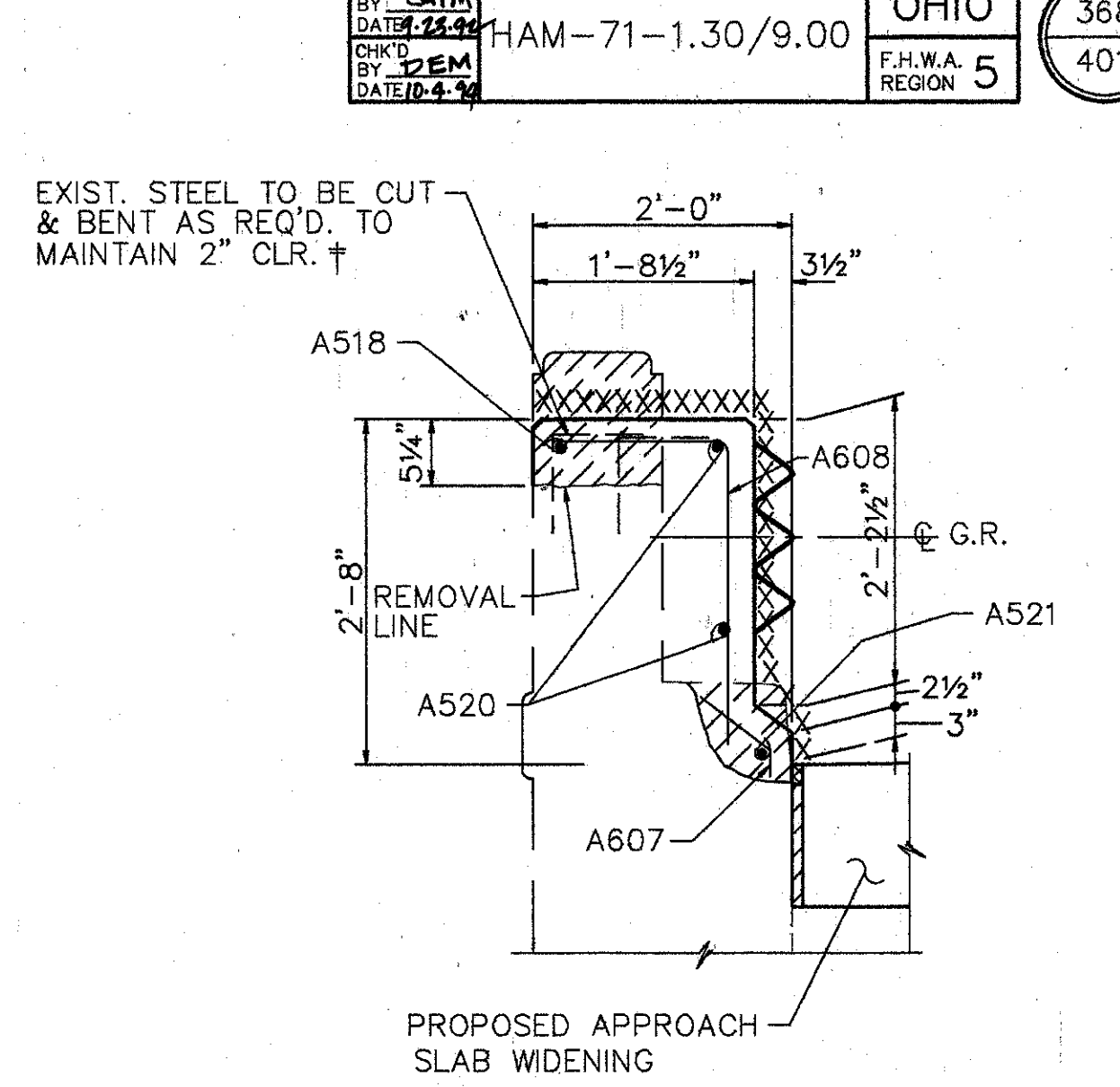
SECTION B-B



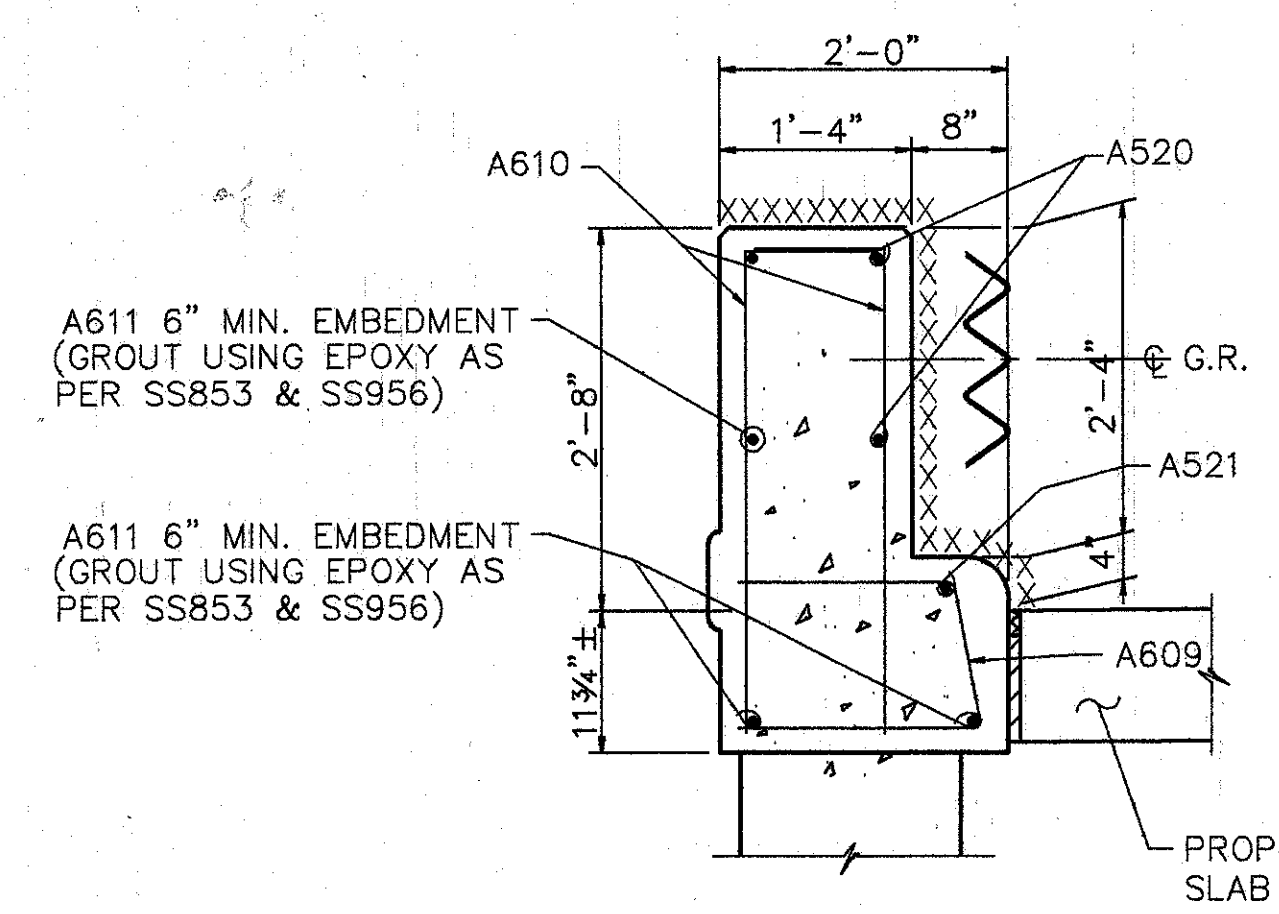
SECTION C-C



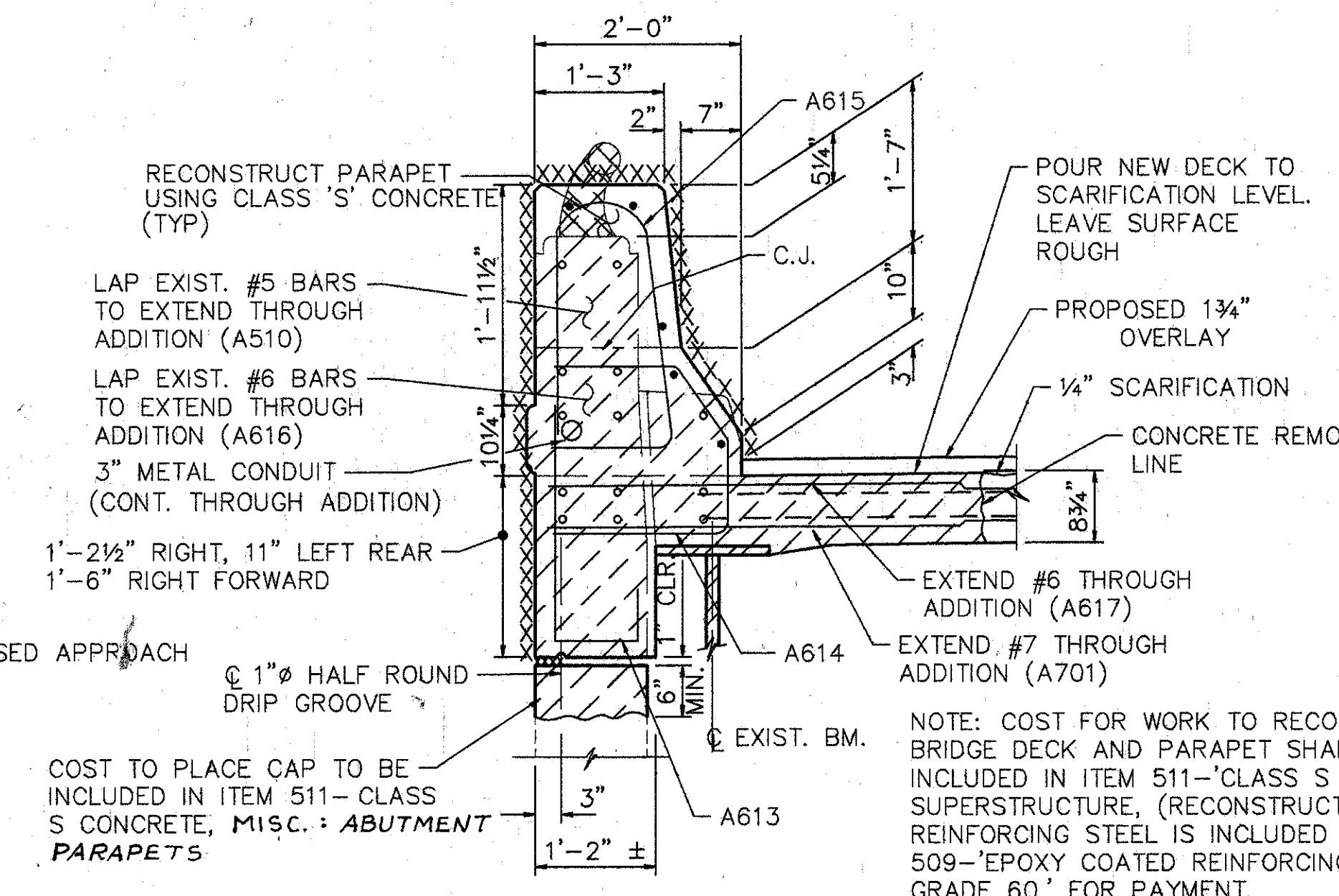
SECTION D-D



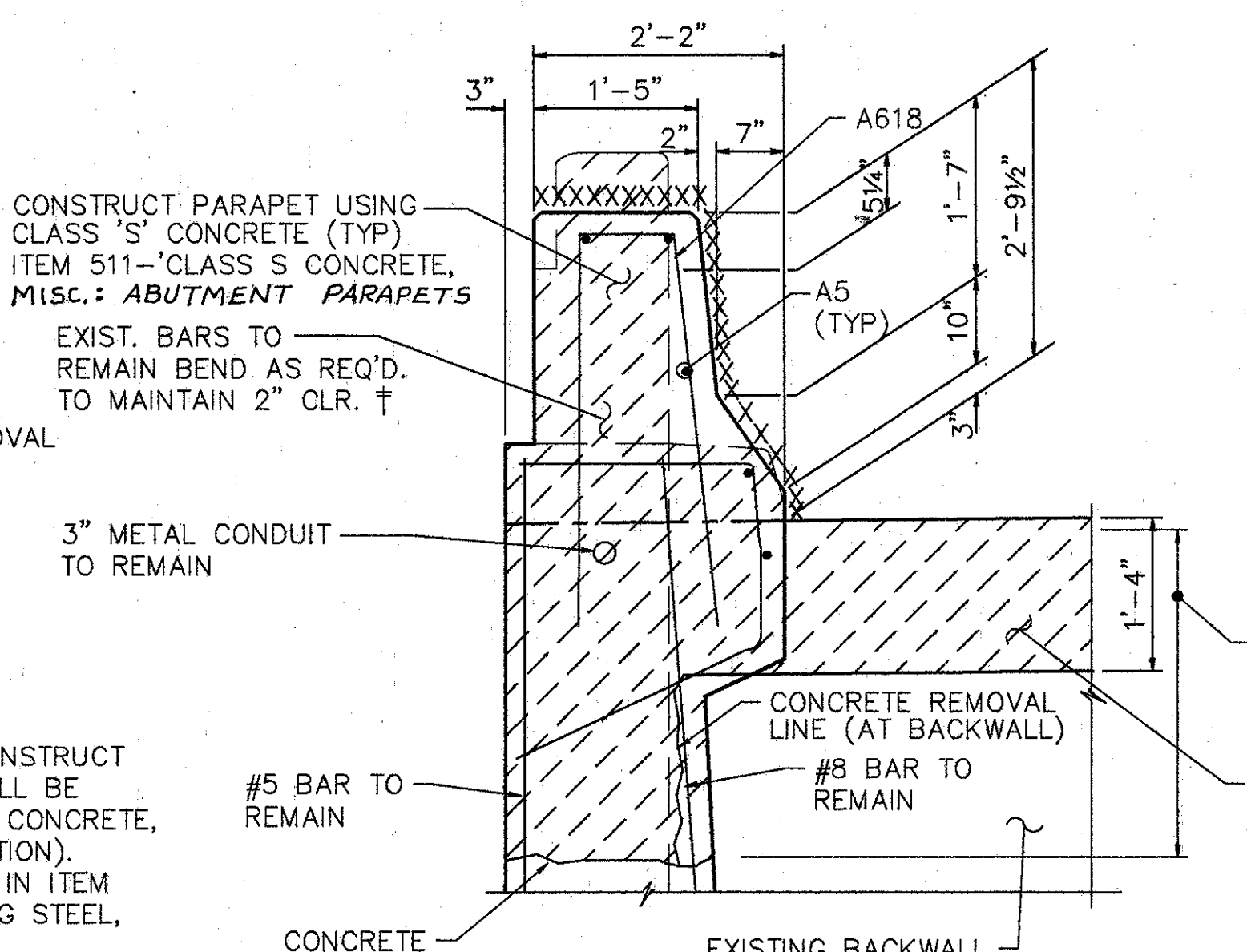
SECTION E-E



SECTION F-F



SECTION M-M

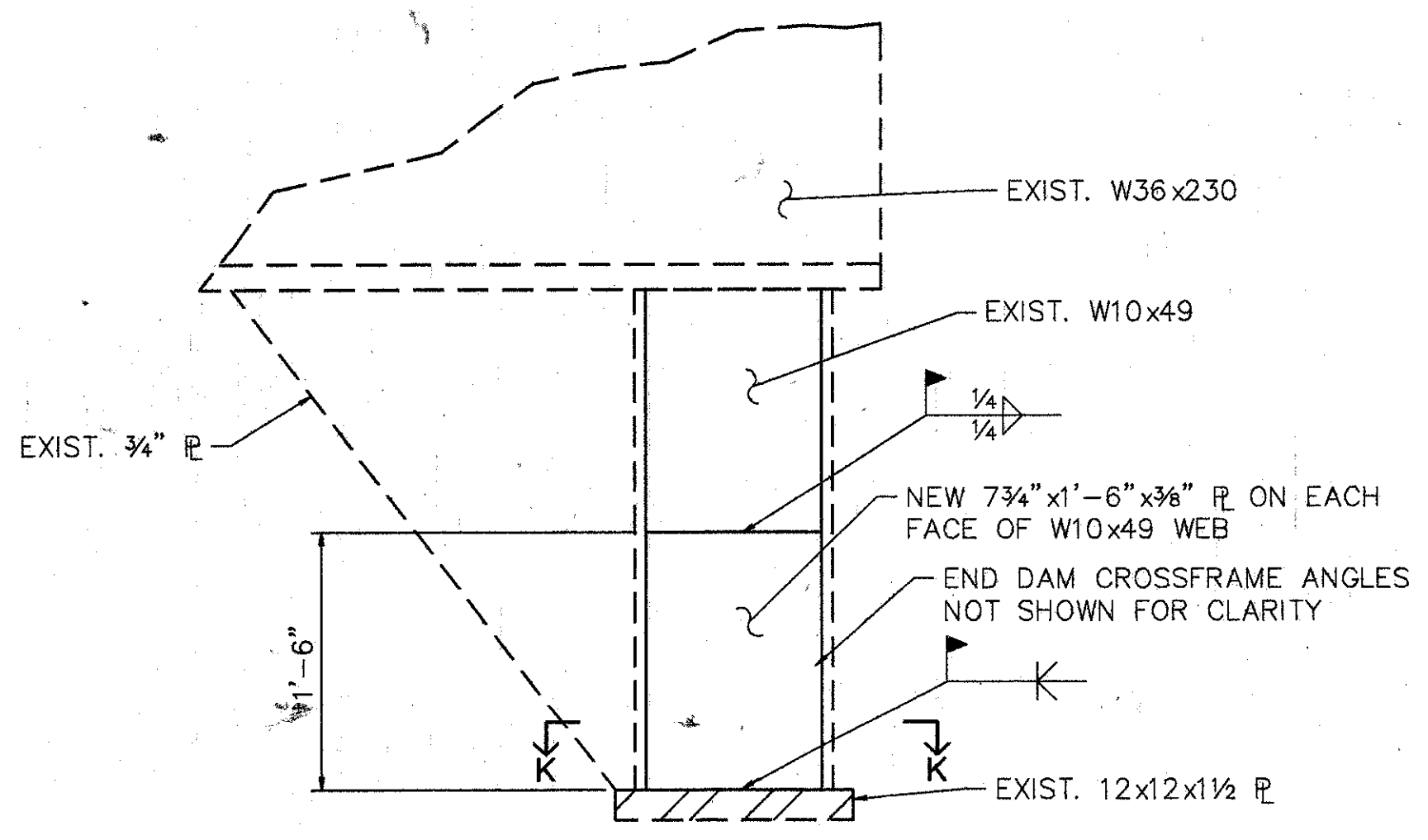


SECTION N-N

† BARS SHALL REMAIN. CONTRACTOR SHALL EXERCISE CAUTION TO ENSURE THAT THESE BARS ARE NOT DAMAGED DURING THE CONC. REMOVAL OPERATION. ANY BARS DAMAGED AS A RESULT OF THE CONTRACTOR'S OPERATION SHALL BE REPLACED OR REPAIRED BY THE CONTRACTOR AT HIS EXPENSE. METHOD OF REPAIR OR REPLACEMENT WILL BE AT THE DISCRETION OF THE DIRECTOR.

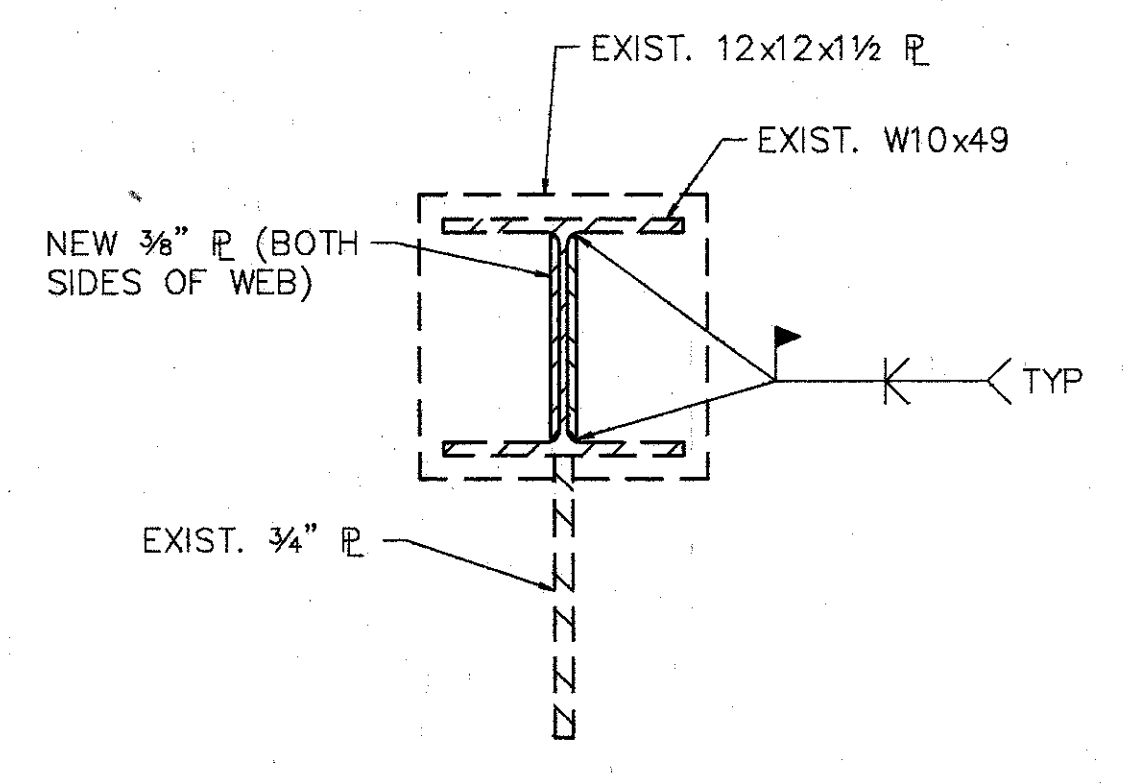
EXIST. CURB & PARAPET TO BE REMOVED UNDER ITEM 202-PORTIONS OF STRUCTURES REMOVED.  
 EXIST. RAILING & POSTS TO BE REMOVED & STACKED NEATLY ALONG THE RIGHT-OF-WAY FOR DISPOSAL BY THE CONTRACTOR. ALL WORK SHALL BE INCLUDED IN THE PRICE BID FOR ITEM 202-PORTIONS OF STRUCTURE REMOVED.  
 SURFACES TO BE SEALED UNDER ITEM SPECIAL-SEALING OF CONCRETE SURFACES.

NOTES:  
 1. TYPE 'A' WATERPROOFING AT THE BRIDGE LIMIT END OF THE APPROACH SLAB (AS PER STD. DWG. AS-1-81) SHALL BE INCLUDED IN THE PRICE BID FOR ITEM 611 APPROACH SLAB.



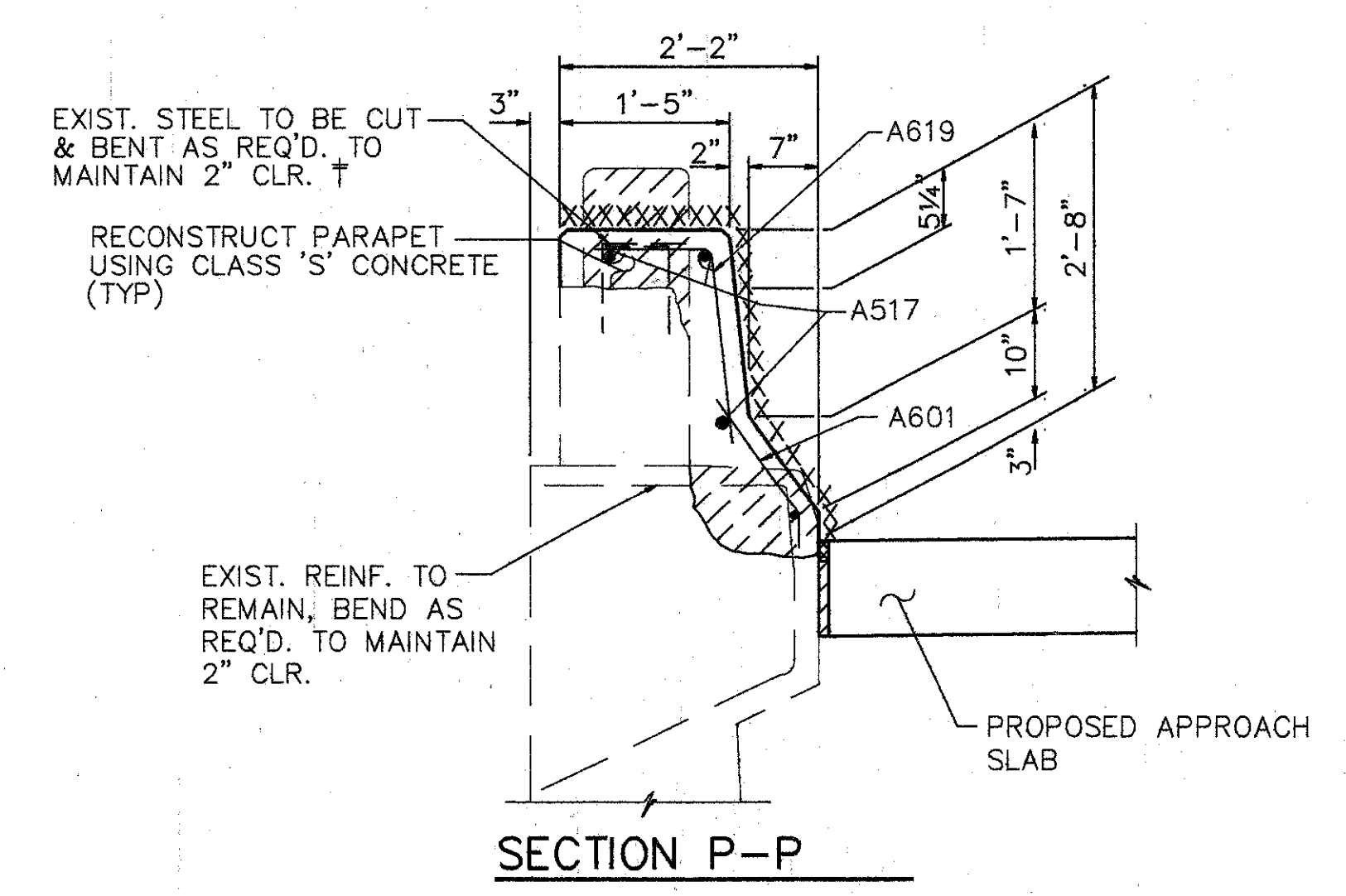
ELEVATION

NOTE: CLEAN EXISTING STRUCTURAL STEEL AND REMOVE DETERIORATED STEEL PRIOR TO ADDING STEEL PLS. COST TO BE INCLUDED IN ITEM 513, STRUCTURAL STEEL (MISC. AND CASTINGS), AS PER PLAN



SECTION K-K

NOTE: PREPARE, PRIME AND PAINT ALL STEEL SURFACES WITHIN 6'-0" OF THE C OF PIER No. 8. COST FOR THIS WORK SHALL BE INCLUDED IN LUMP SUM BID FOR ITEM 513, STRUCTURAL STEEL (MISC. & CASTINGS), AS PER PLAN. THE SYSTEM UTILIZED IS SPECIFIED IN THE PROPOSAL NOTE ENTITLED, "FIELD PAINTING OF EXIST. STEEL, USING EPOXY & URETHANE (EEU).



SECTION P-P

SHORT COL. REPAIR DETAIL  
 COST TO REPAIR SHORT COLUMNS SHALL BE PER POUND INCLUDED IN ITEM 513 - STRUCTURAL STEEL (MISC. AND CASTINGS), AS PER PLAN.

**WOOLPERT CONSULTANTS**  
 409 E. MONUMENT AVENUE  
 DAYTON, OHIO 45402-1226  
 (513) 461-5660

**PARAPET DETAILS AND SHORT COL. REPAIR DETAIL**  
 BRIDGE NO. HAM-71-0243 R  
 OVER EDEN PARK

HAMILTON COUNTY

DESIGNED	DRAWN	TRACED	CHECKED	REVIEWED	DATE	REVISED
L.A.T.M.	D.E.E.		M.A.A.	DEM	11/11/94	

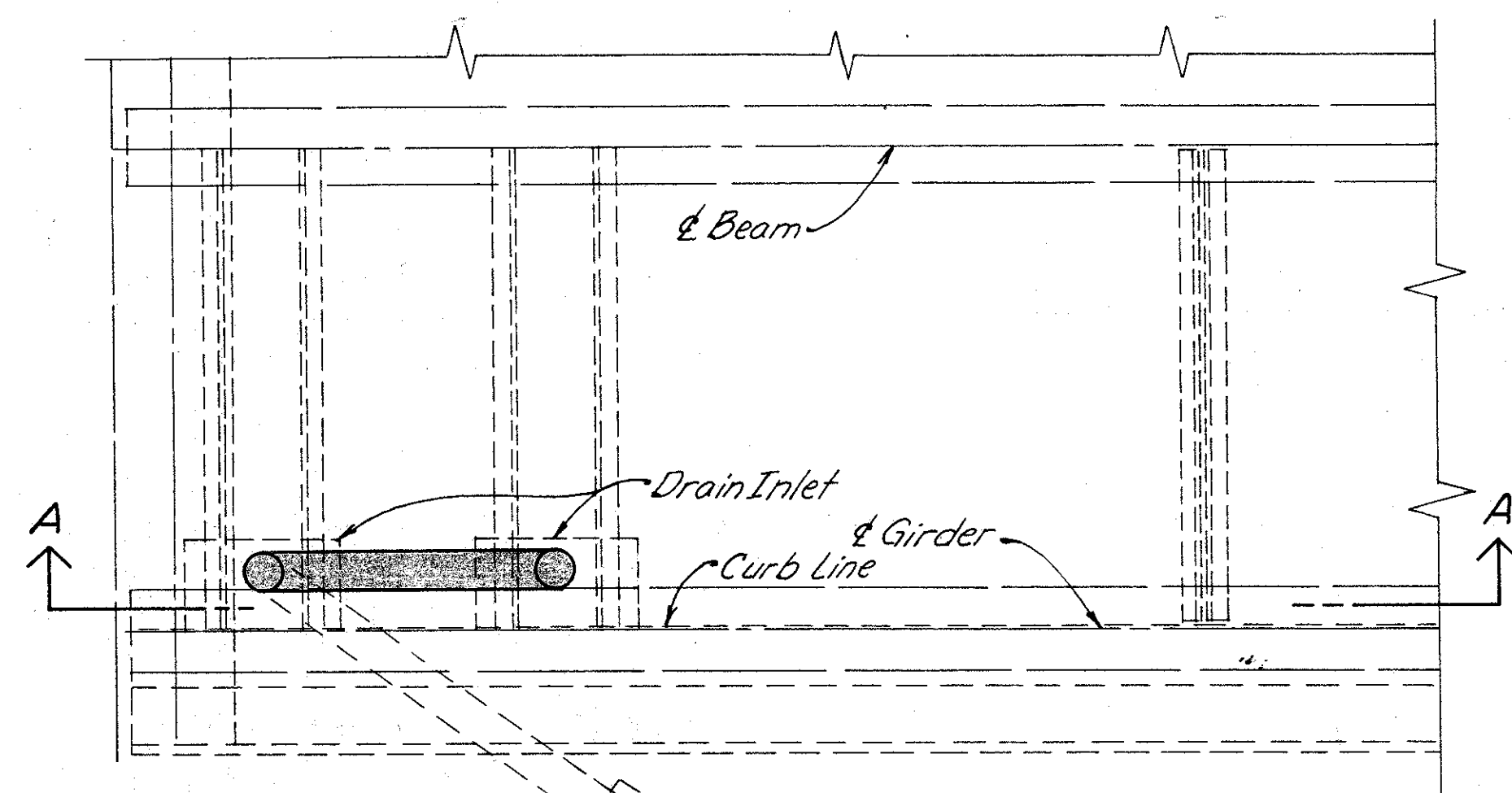
Plot File: W11-15-1994-11:07 PM  
 Plot Date: 11/11/94 11:07 AM  
 Plot Time: 11:07 AM  
 Plot User: L.A.T.M.  
 Plot Device: HP-GL/2  
 Plot Scale: 1:1  
 Plot Orientation: Landscape  
 Plot Range: All  
 Plot Color: Black  
 Plot Lineweight: 0.25  
 Plot Font: Arial  
 Plot Font Size: 10  
 Plot Font Color: Black  
 Plot Font Style: Normal  
 Plot Font Weight: Normal  
 Plot Font Underline: No  
 Plot Font Strikethrough: No  
 Plot Font Hidden: No  
 Plot Font Locked: No  
 Plot Font Read-Only: No  
 Plot Font Inherited: No  
 Plot Font Default: No  
 Plot Font Name: Arial  
 Plot Font Size: 10  
 Plot Font Color: Black  
 Plot Font Style: Normal  
 Plot Font Weight: Normal  
 Plot Font Underline: No  
 Plot Font Strikethrough: No  
 Plot Font Hidden: No  
 Plot Font Locked: No  
 Plot Font Read-Only: No  
 Plot Font Inherited: No  
 Plot Font Default: No



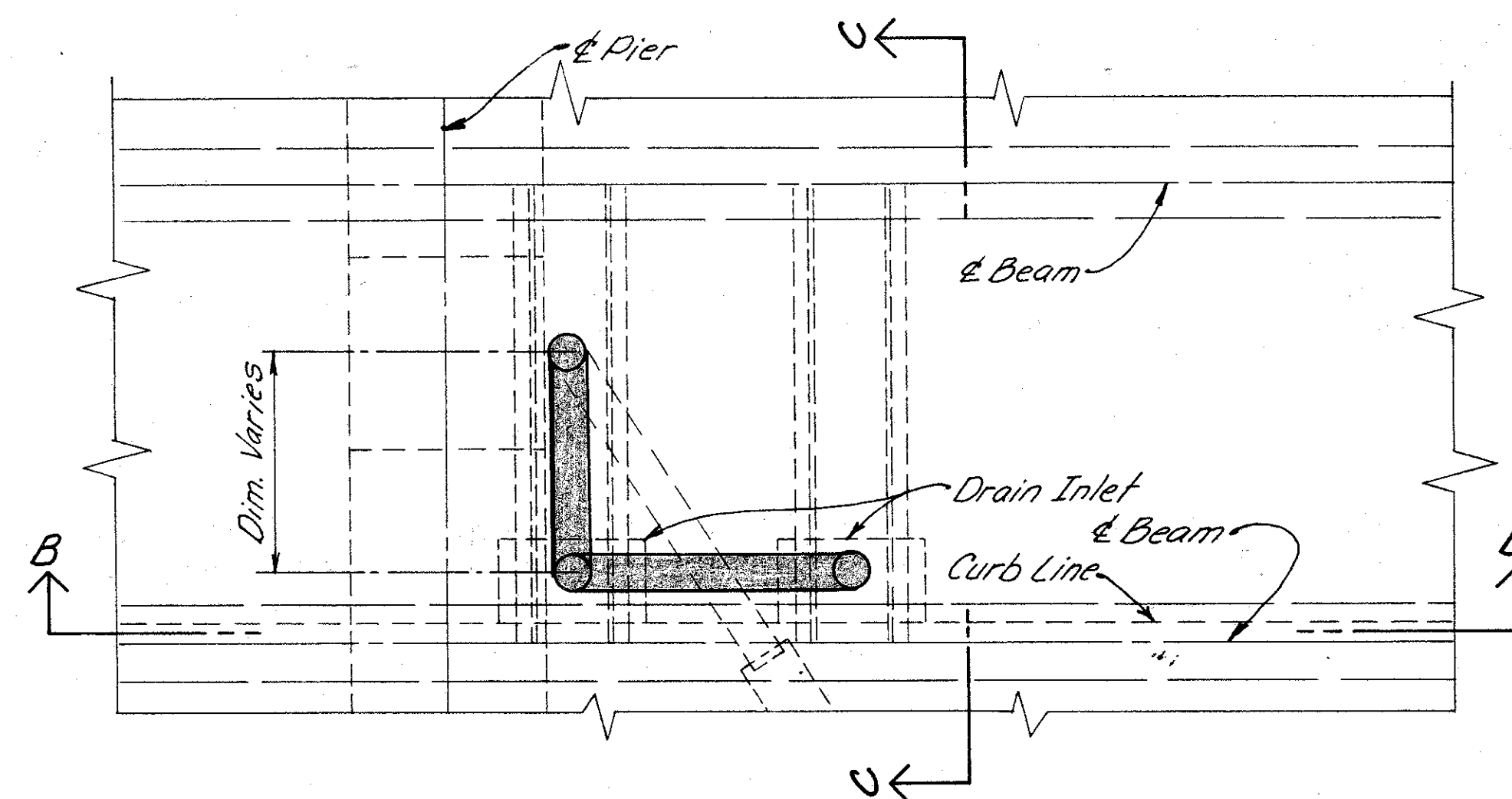




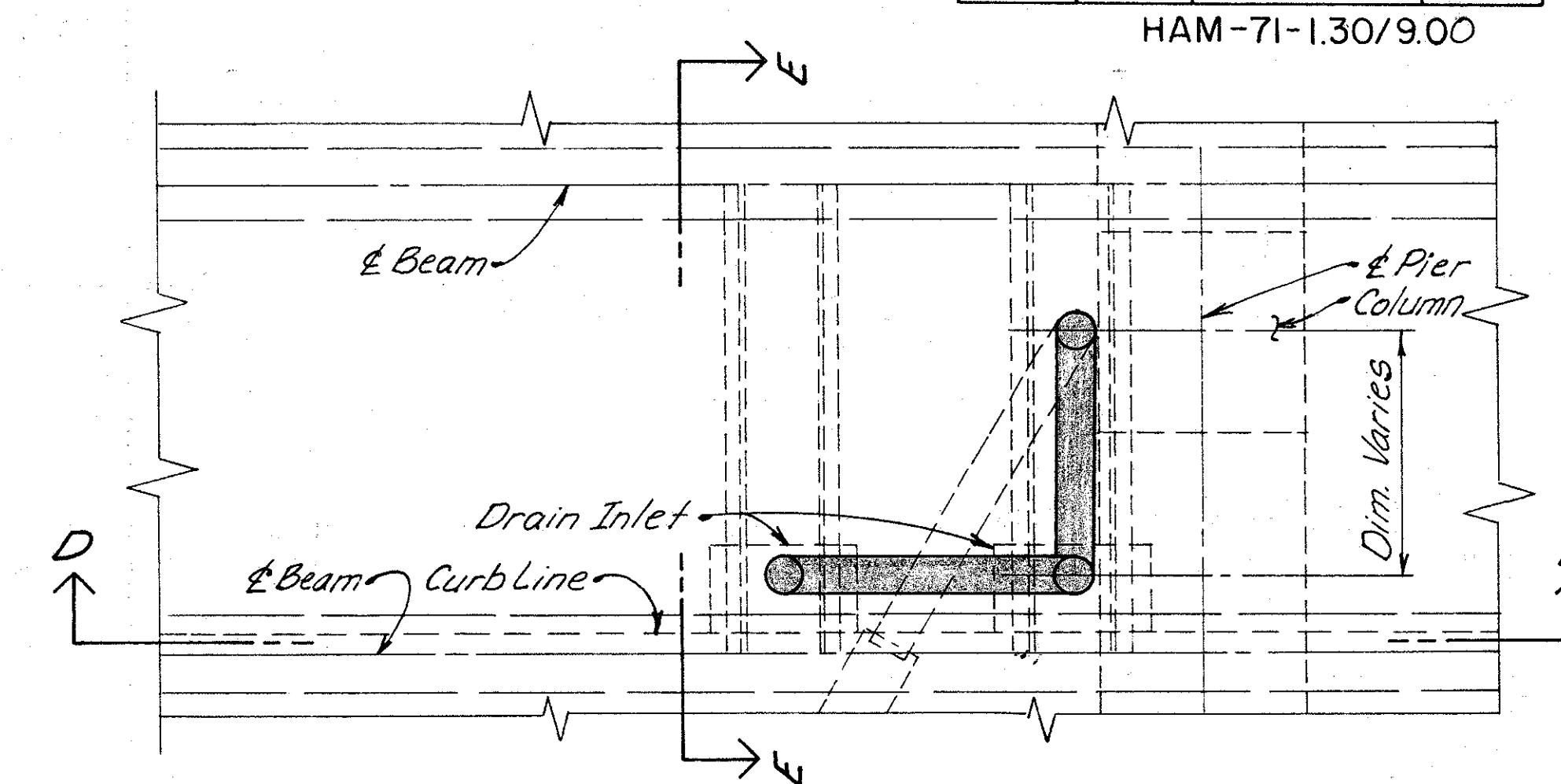




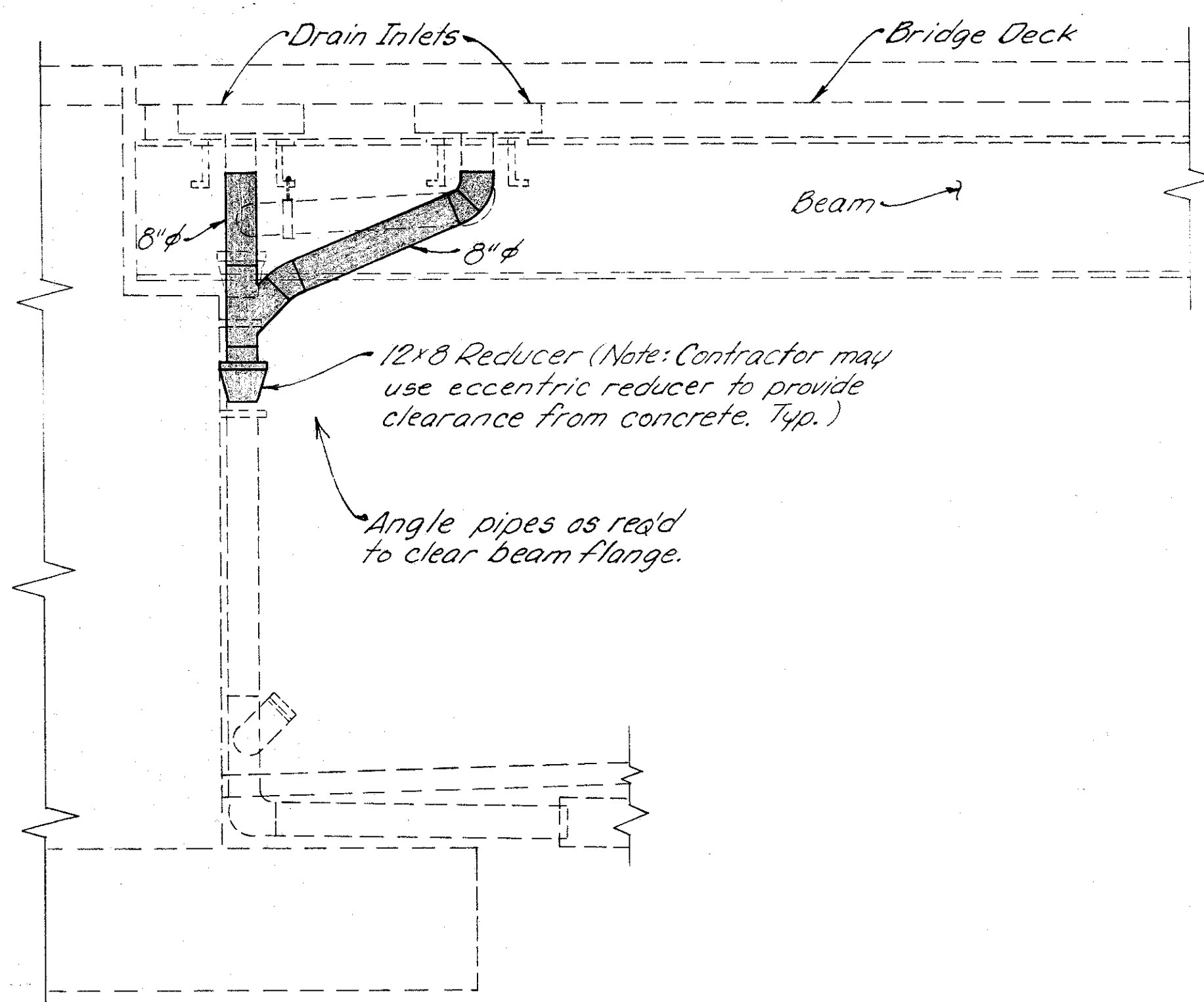
**PLAN FOR DRAIN INLET AT SOUTH ABUTMENT**



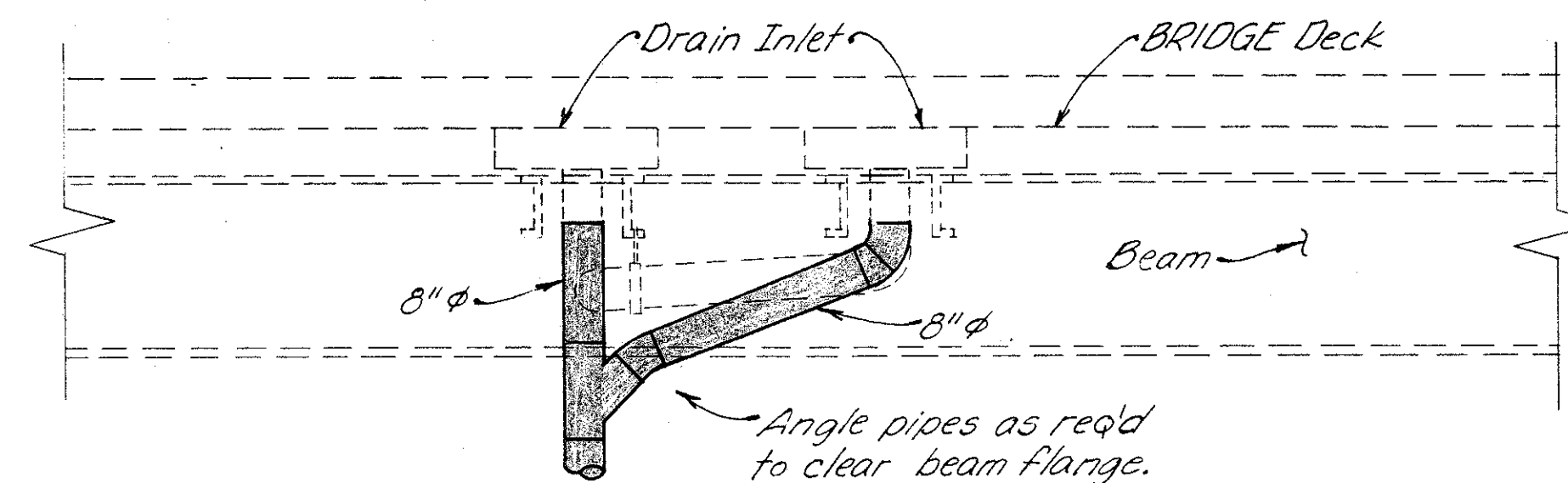
**PLAN FOR DRAIN INLET AT PIER 1, 4, 5 & 7**



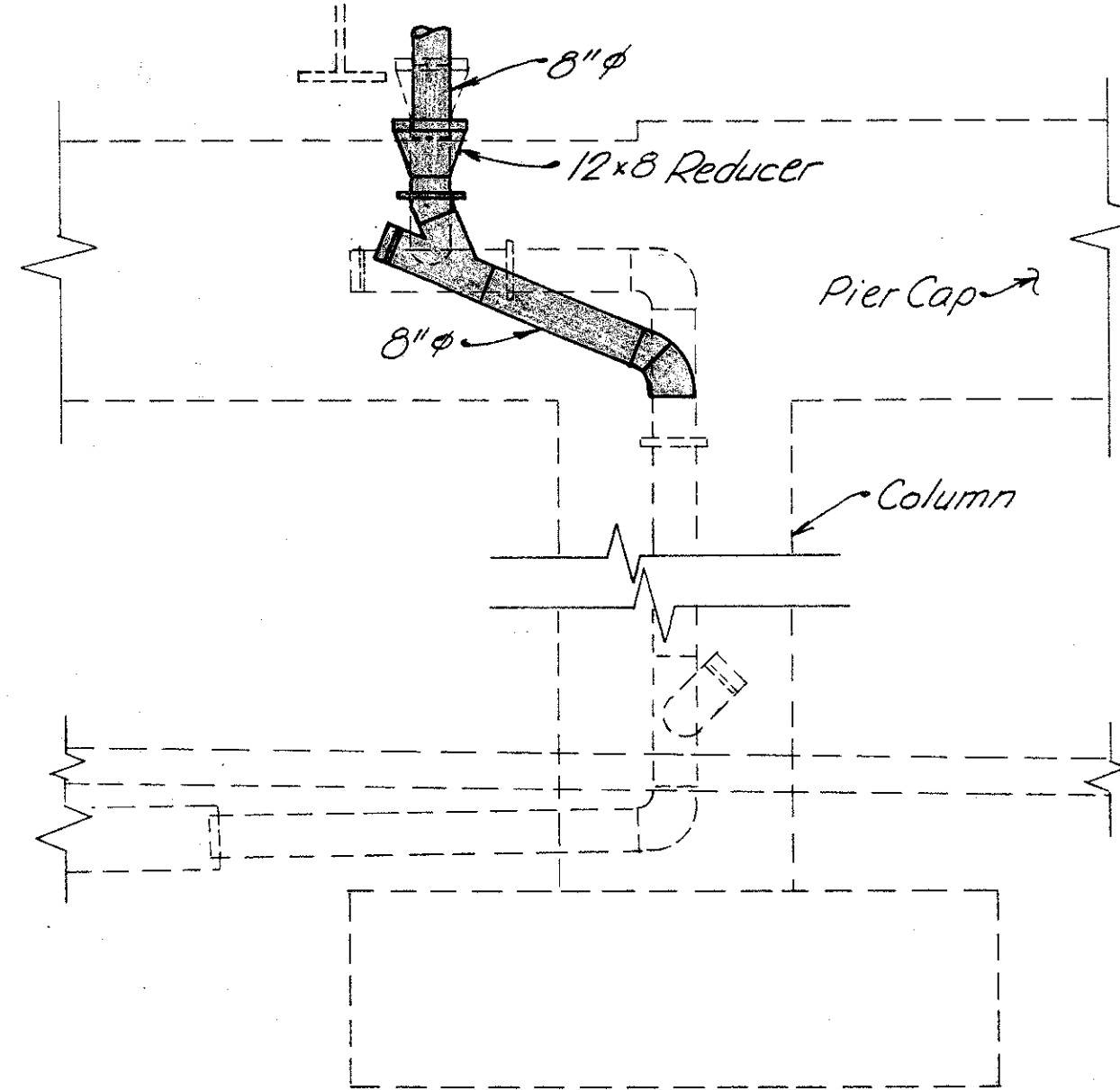
**PLAN FOR DRAIN INLET AT PIER 2, 3 & 6**



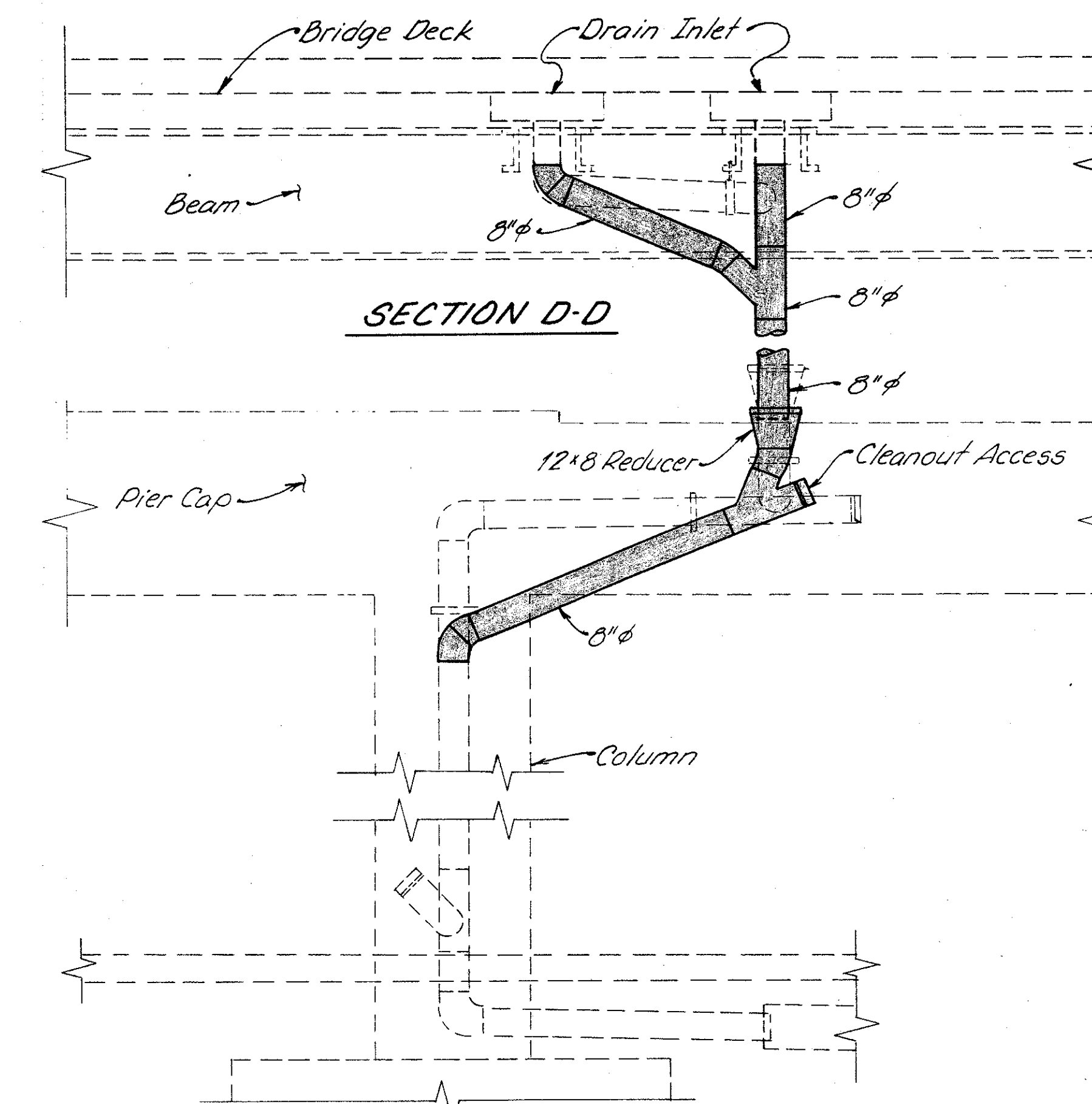
**SECTION A-A**



**SECTION B-B**



**SECTION C-C**



**SECTION D-D**

**SECTION E-E**

- For drainage piping requirements see General Notes on sheet (273/401)
- Approximate N<sup>o</sup> of Feet of proposed 8" pipe (including specials) = 330'

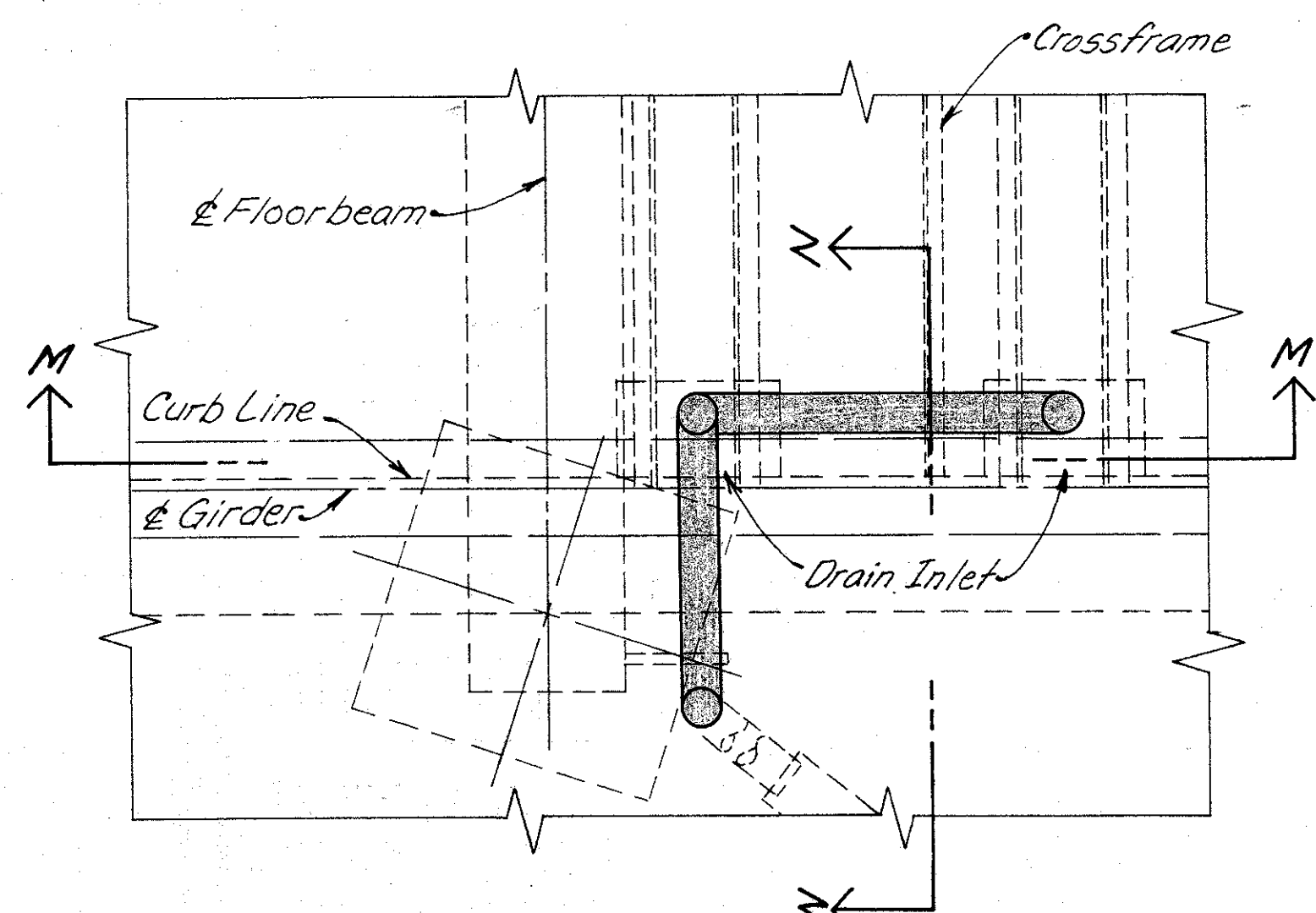
<b>WOOLPERT CONSULTANTS</b> 409 East Monument Avenue Dayton, Ohio 45402-1226		7 / 9
<b>DRAINAGE DETAILS</b>		
BRIDGE NO. HAM-71-0243R OVER EDEN PARK ENTRANCE AND FLORENCE AVE.		
HAMILTON COUNTY		
DESIGNED	DRAWN	TRACED
L.A.T.M.	L.A.R.	DE.M.
CHECKED	REVIEWED	DATE
DE.M.	P.W.G.	11/11/94
REVISED		



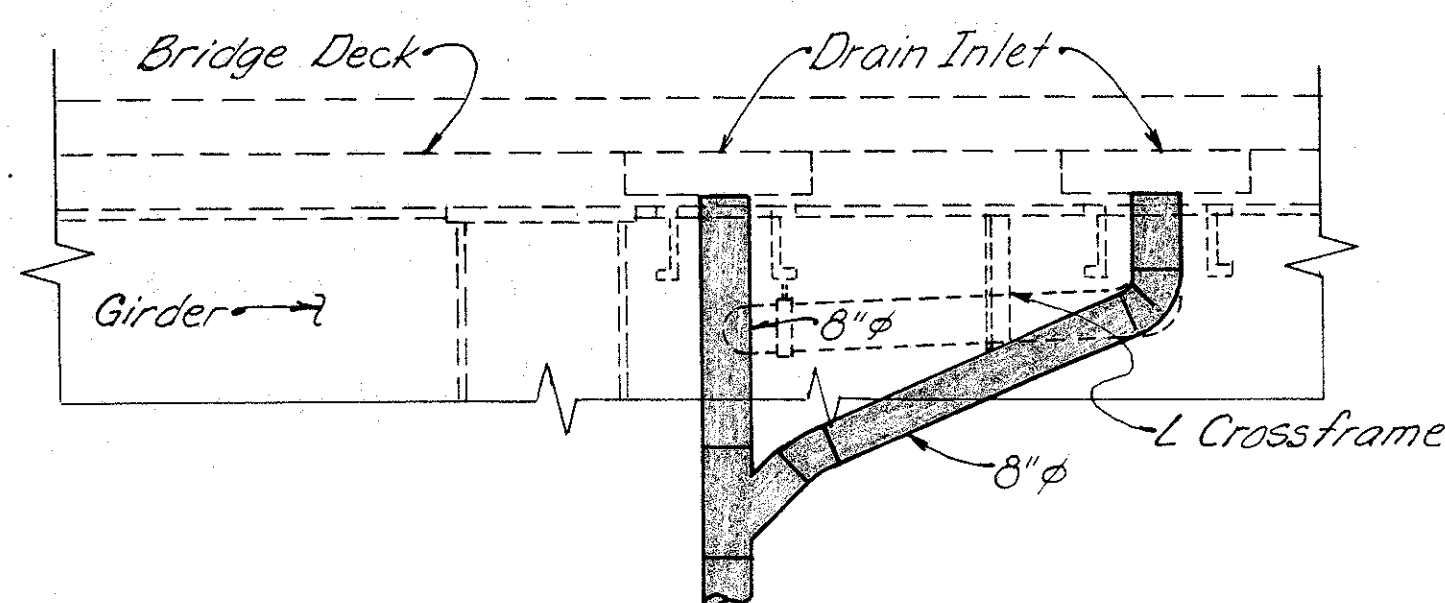
F.H.W.A. REGION	STATE	PROJECT
5	OHIO	

372  
401

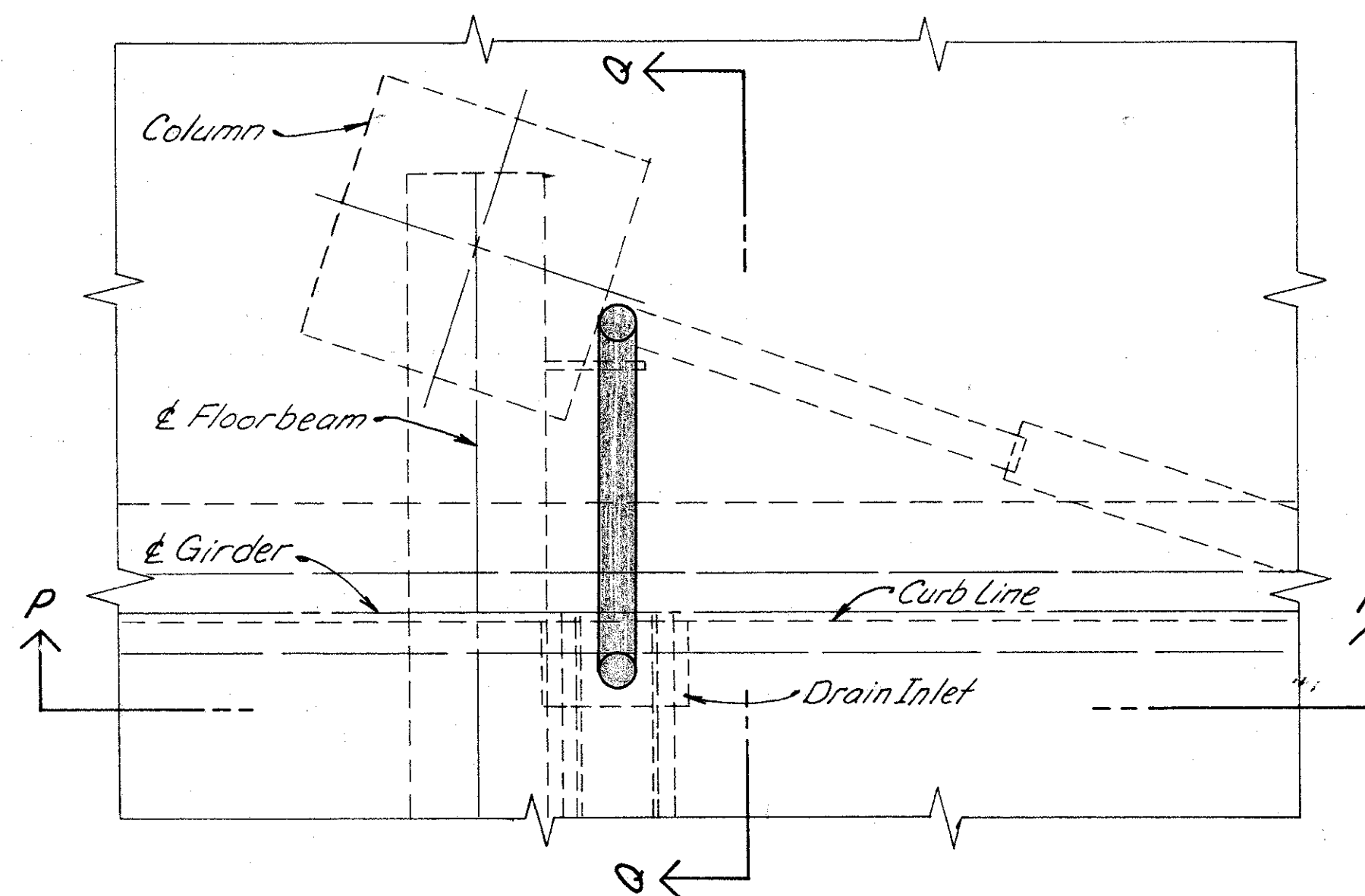
HAM-71-1.30/9.00



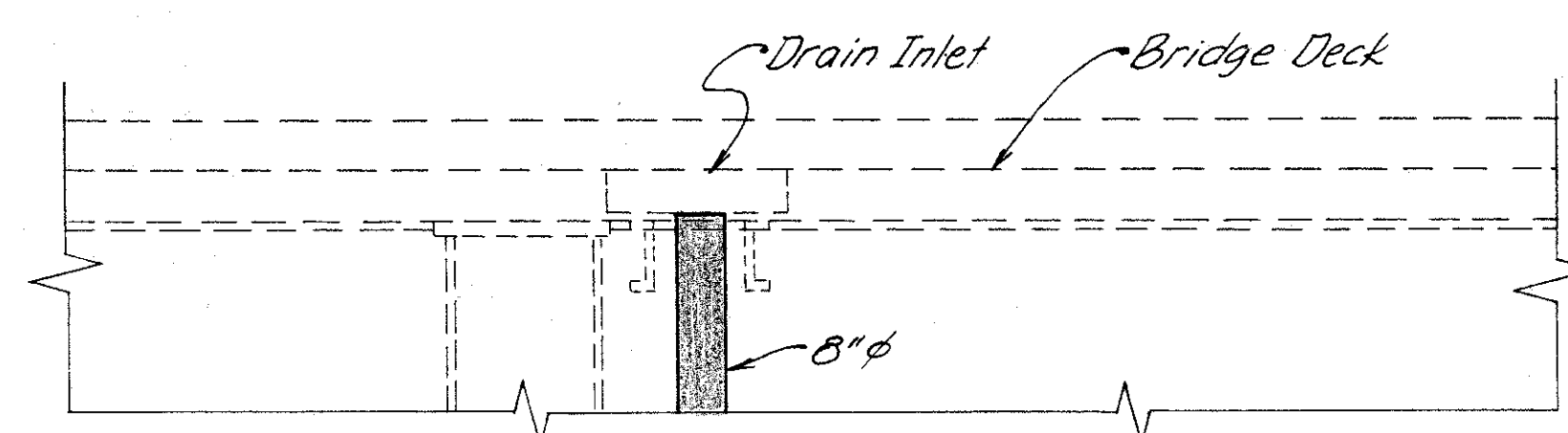
PLAN FOR DRAIN INLET AT EAST SIDE OF PIER 11



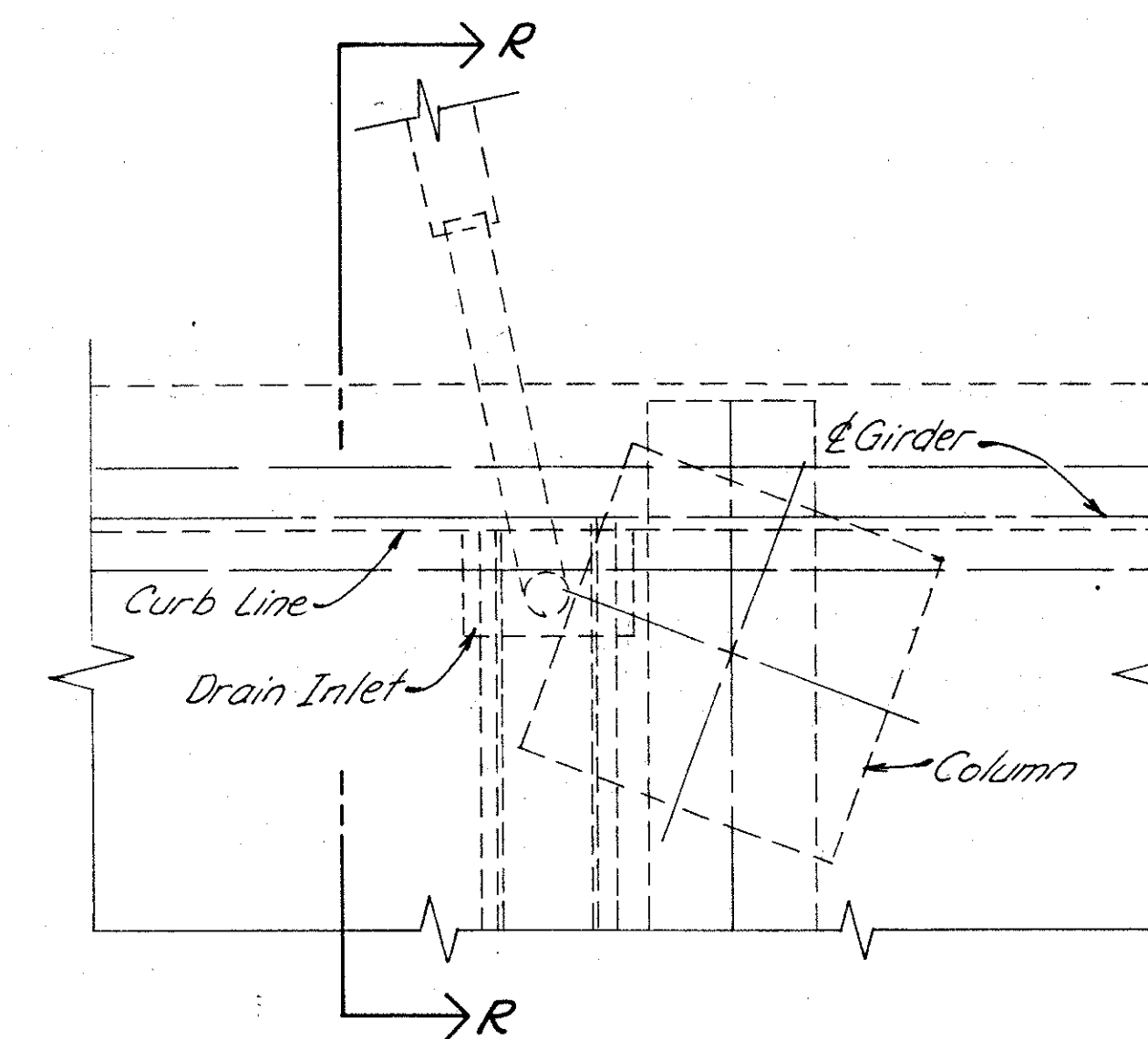
SECTION M-M



PLAN FOR DRAIN INLET AT WEST SIDE OF PIER 10 & 11

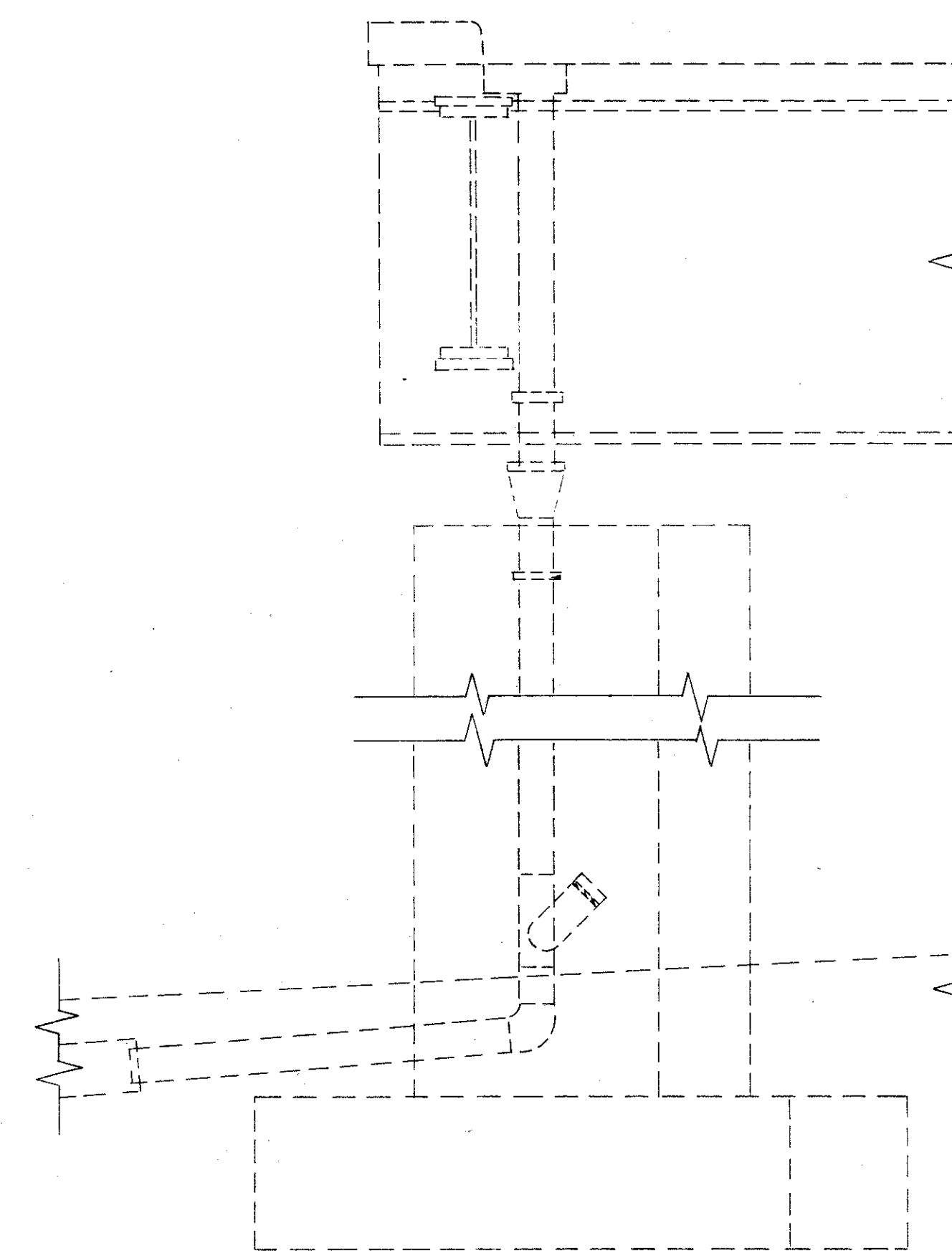


SECTION P-P



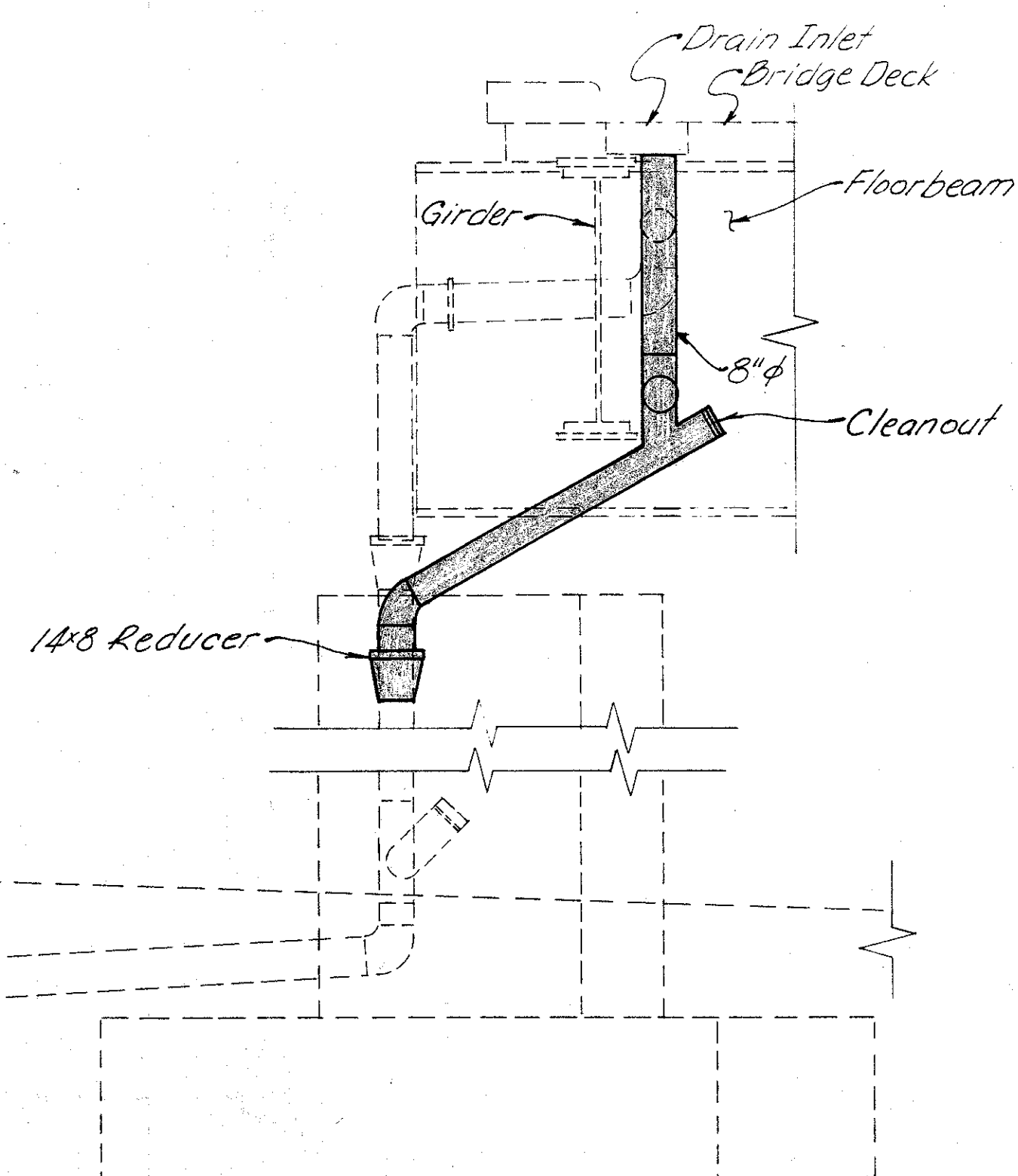
PLAN FOR DRAIN INLET AT WEST SIDE OF PIER 12

-NO WORK REQUIRED-

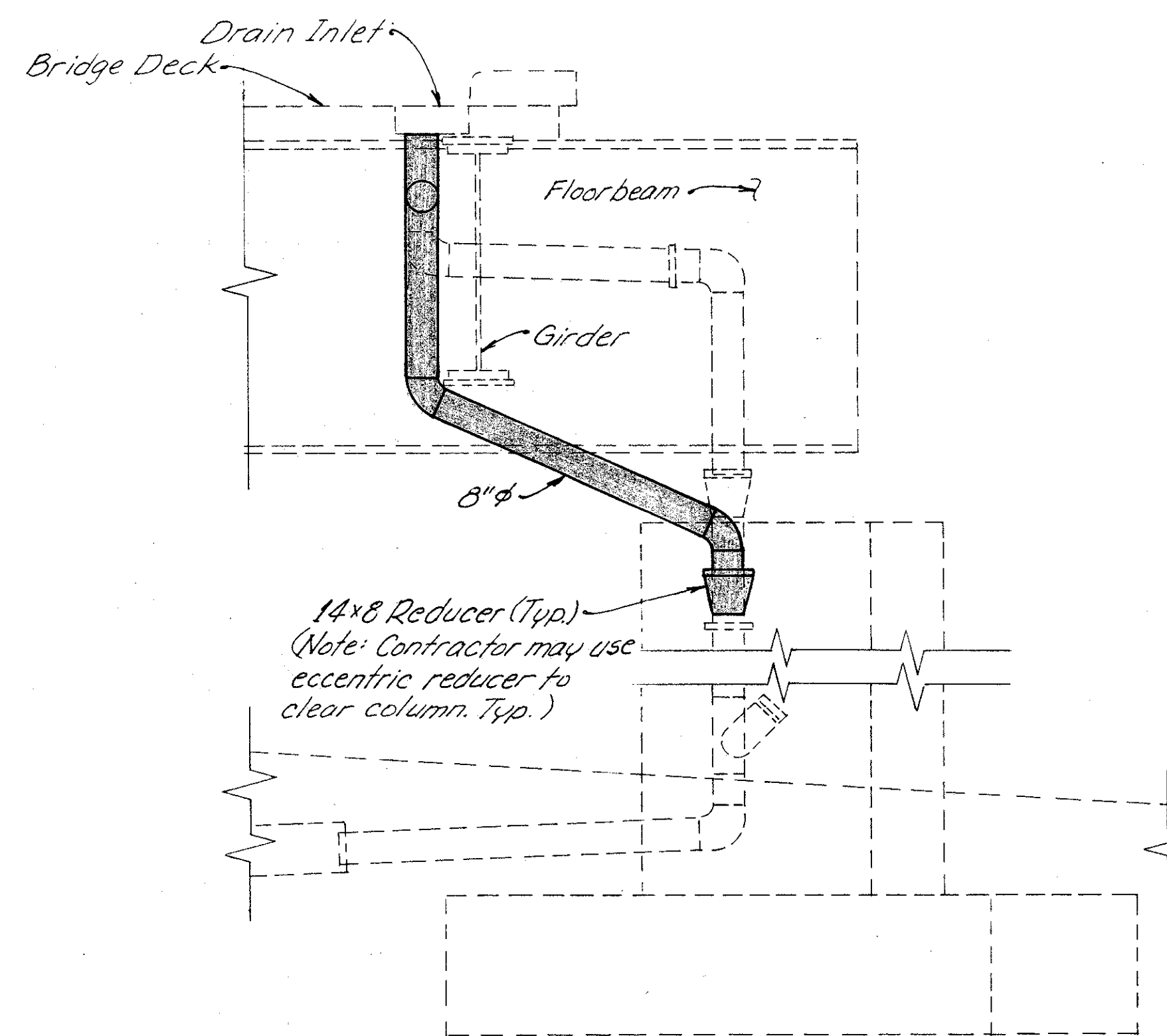


SECTION R-R

For Notes see sheet 7/9



SECTION N-N



SECTION Q-Q



WOOLPERT  
CONSULTANTS  
409 East Monument Avenue  
Dayton, Ohio 45402-1226

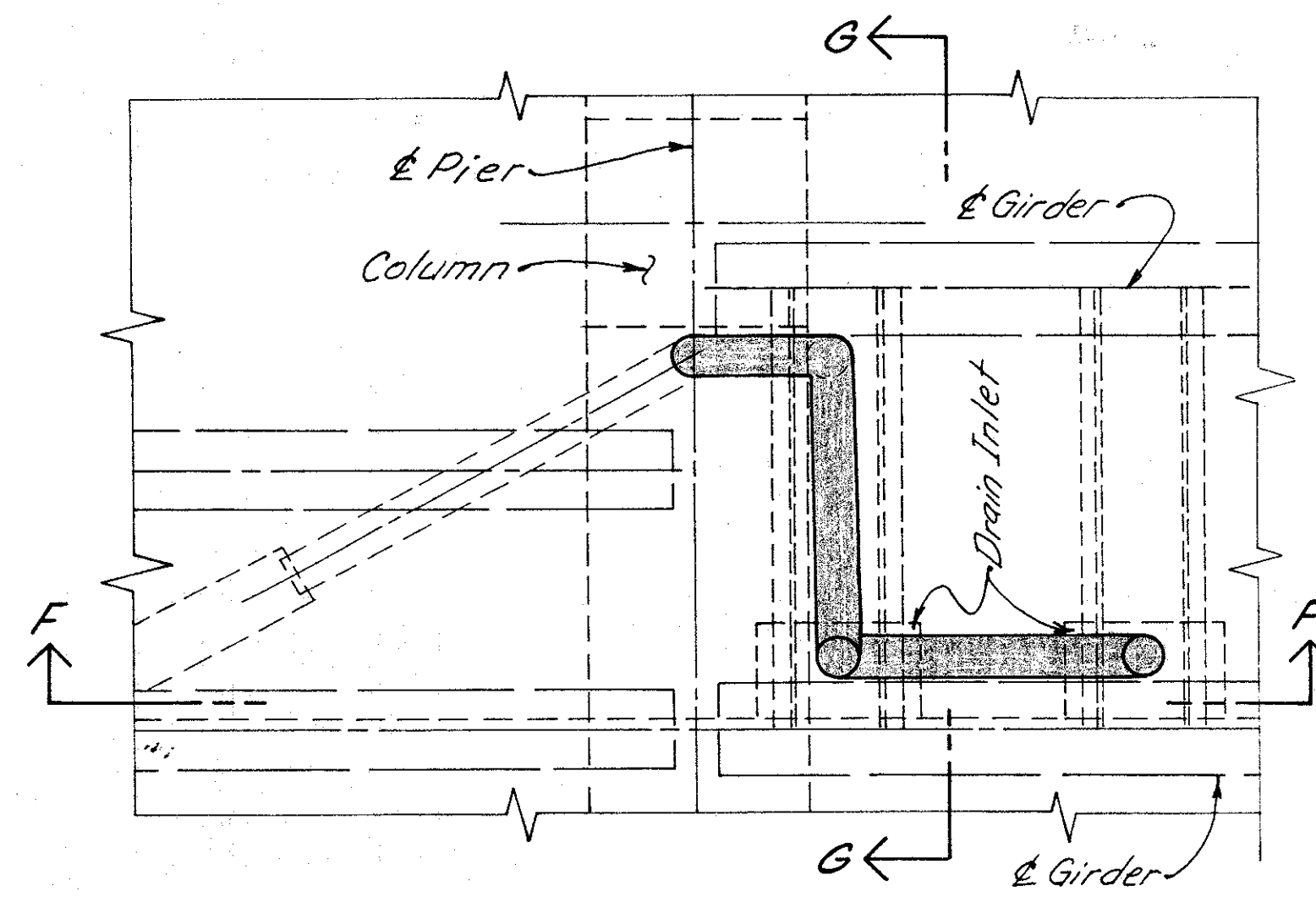
8/9

**DRAINAGE DETAILS**

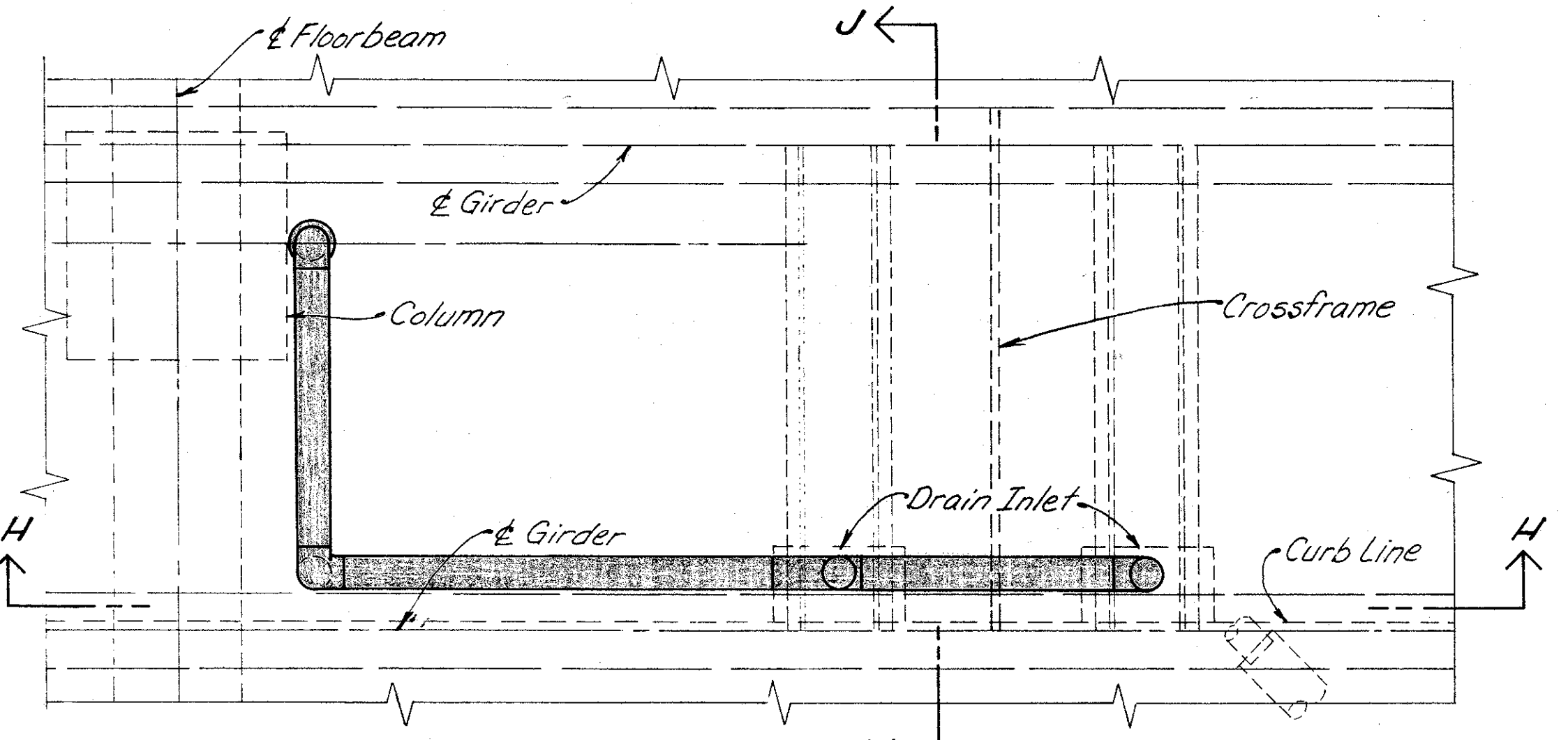
BRIDGE NO. HAM-71-0243 R  
OVER EDEN PARK ENTRANCE  
AND FLORENCE AVE.

HAMILTON COUNTY

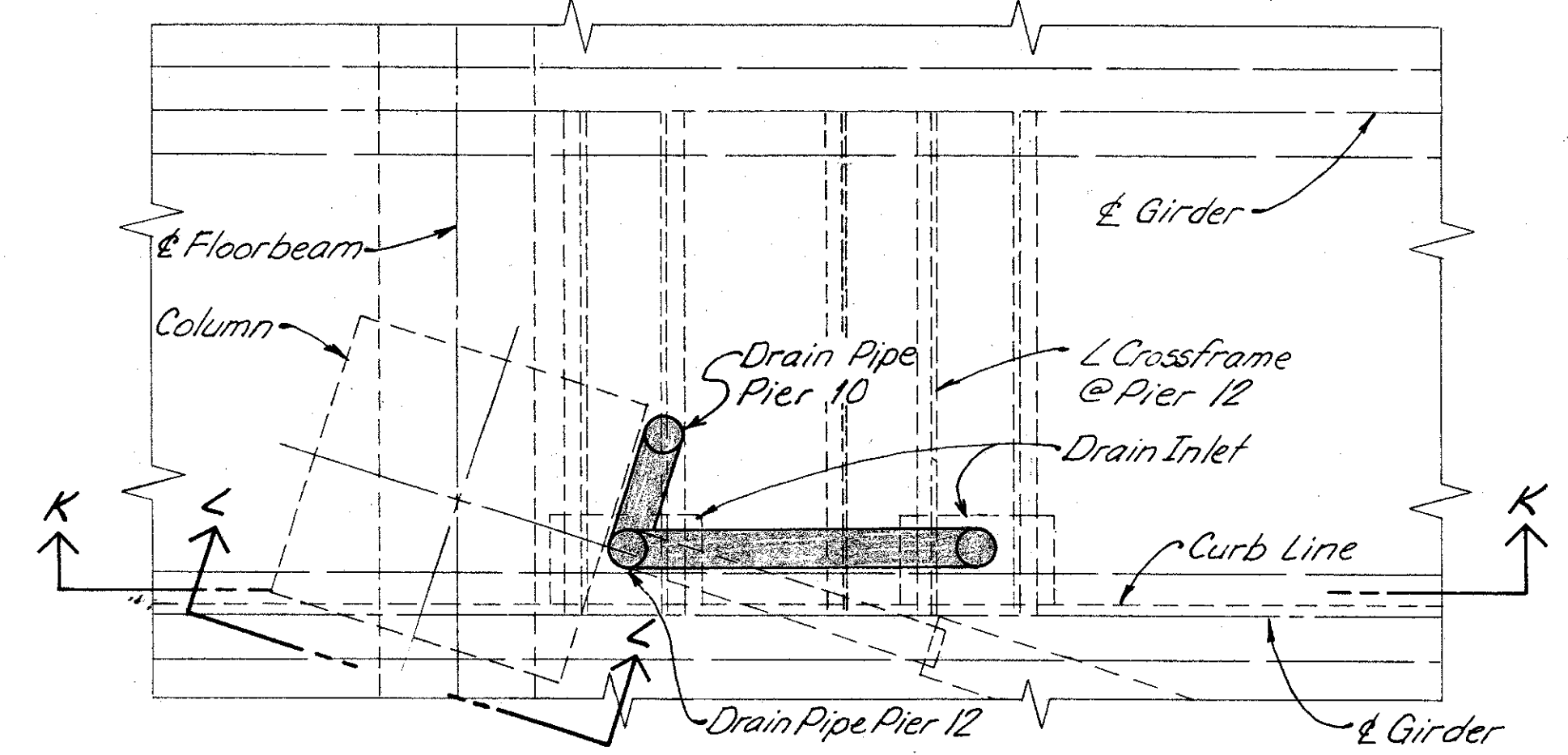
DESIGNED	DRAWN	TRACED	CHECKED	REVIEWED	DATE	REVISED
L.A.T.M.	L.A.R.		DE.M.	P.W.G.	11/11/94	



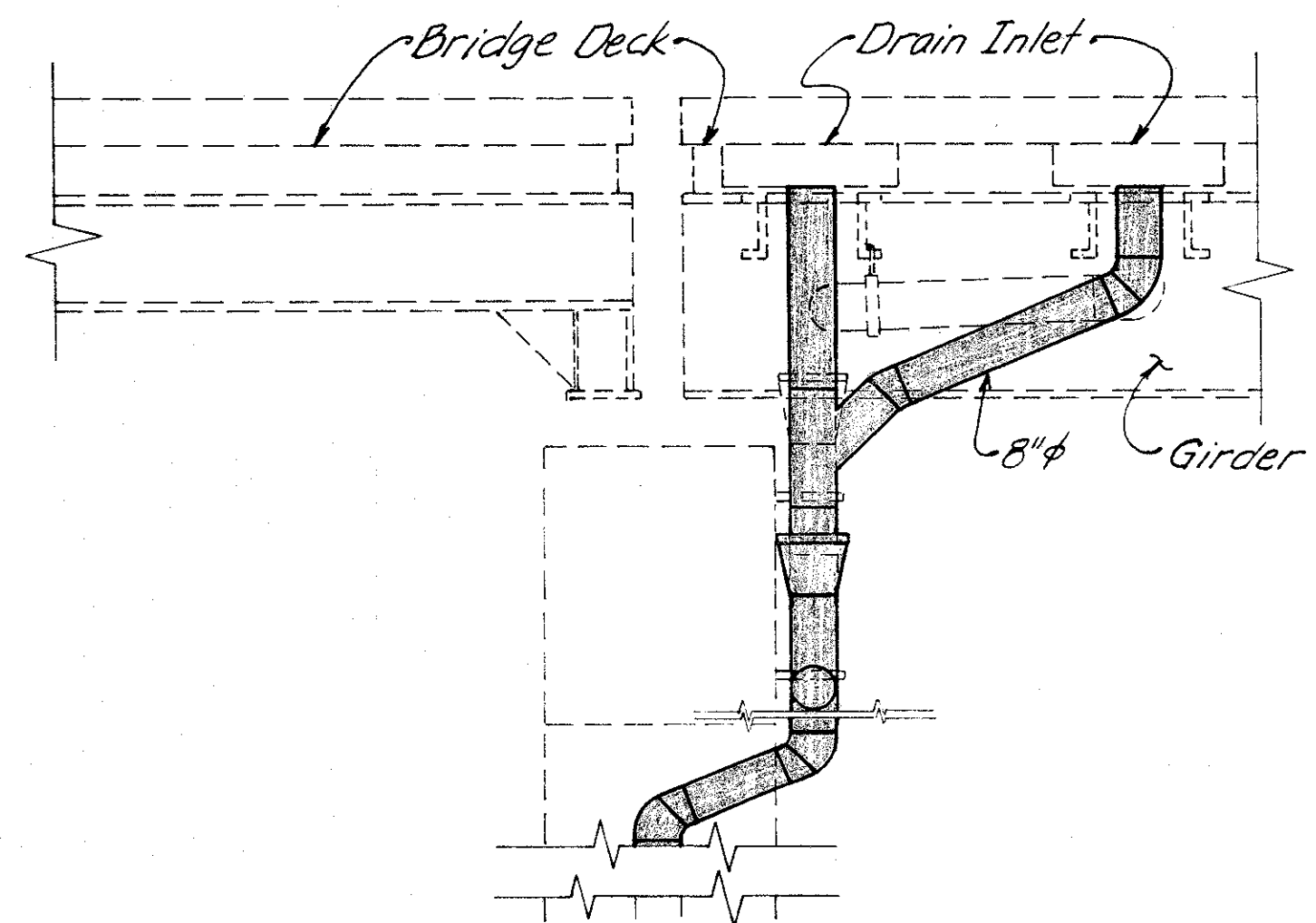
PLAN FOR DRAIN INLET AT PIER 8



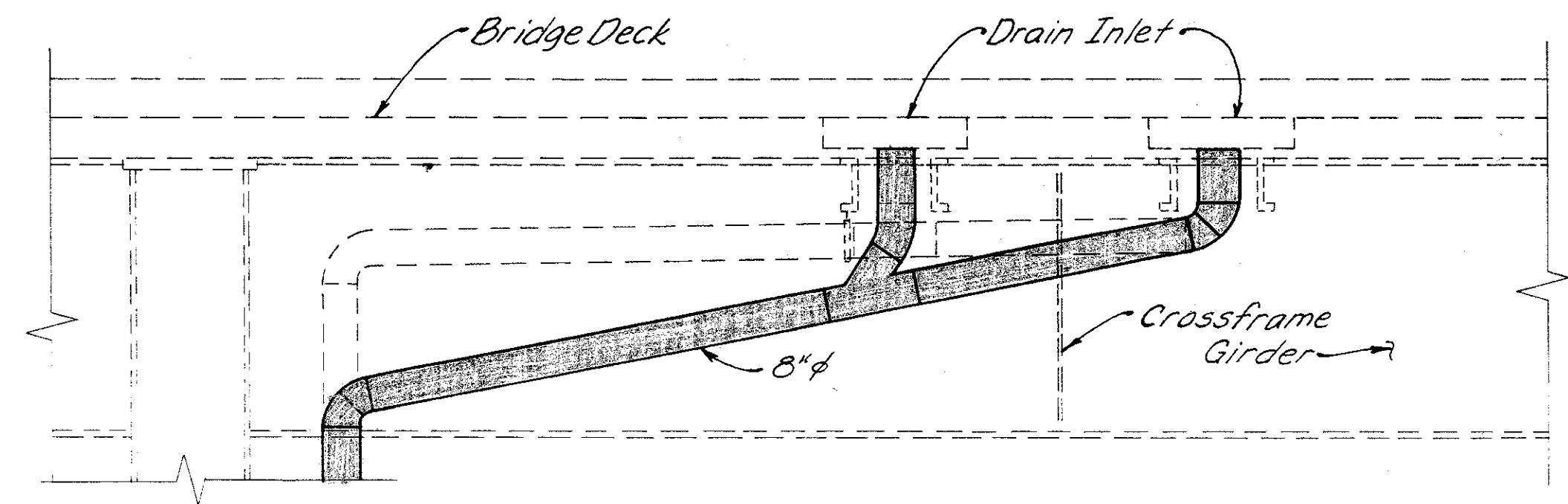
PLAN FOR DRAIN INLET AT PIER 9



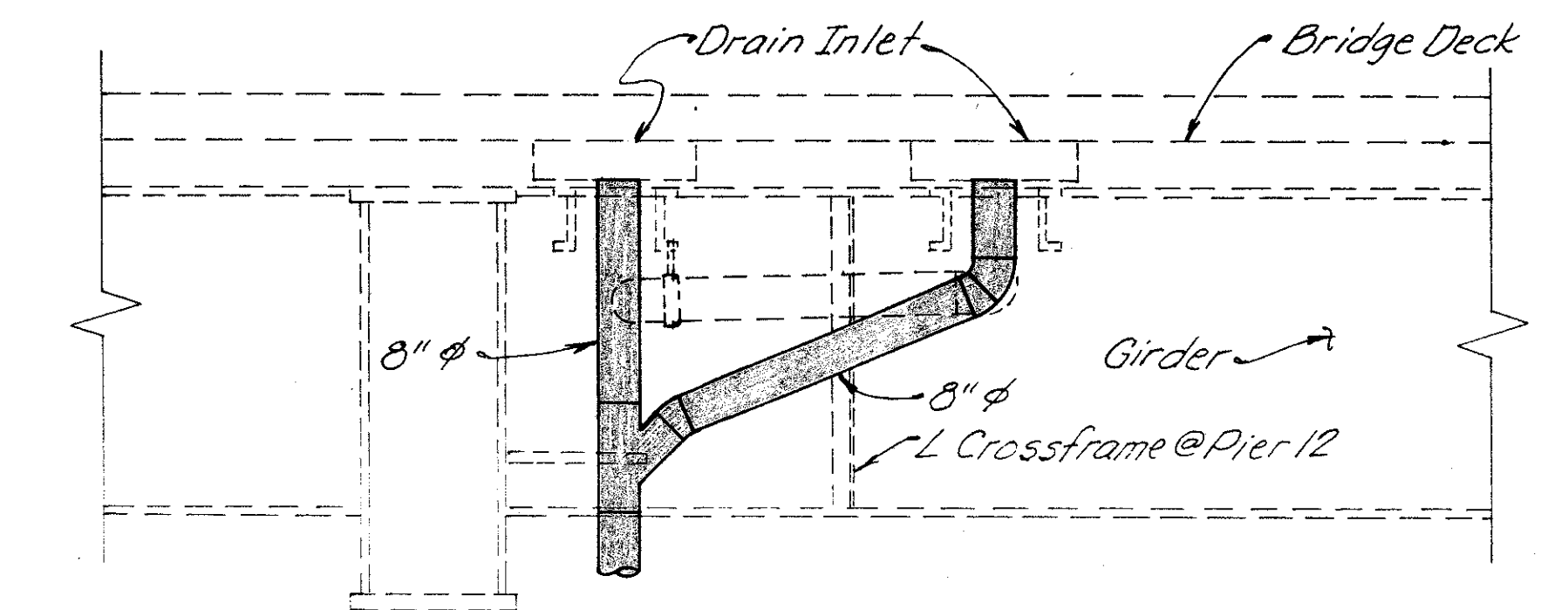
PLAN FOR DRAIN INLET AT EAST SIDE OF PIER 10/12



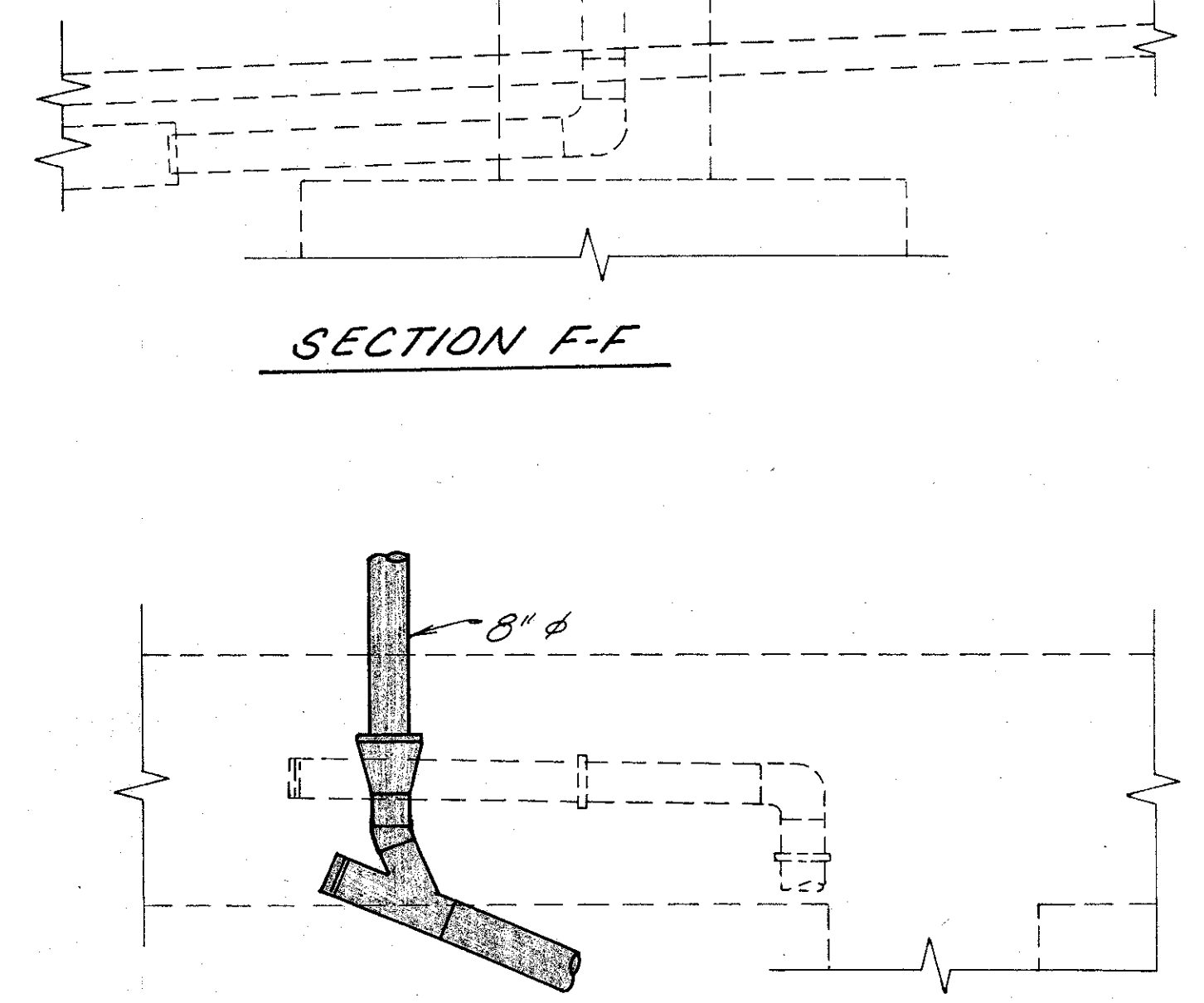
SECTION F-F



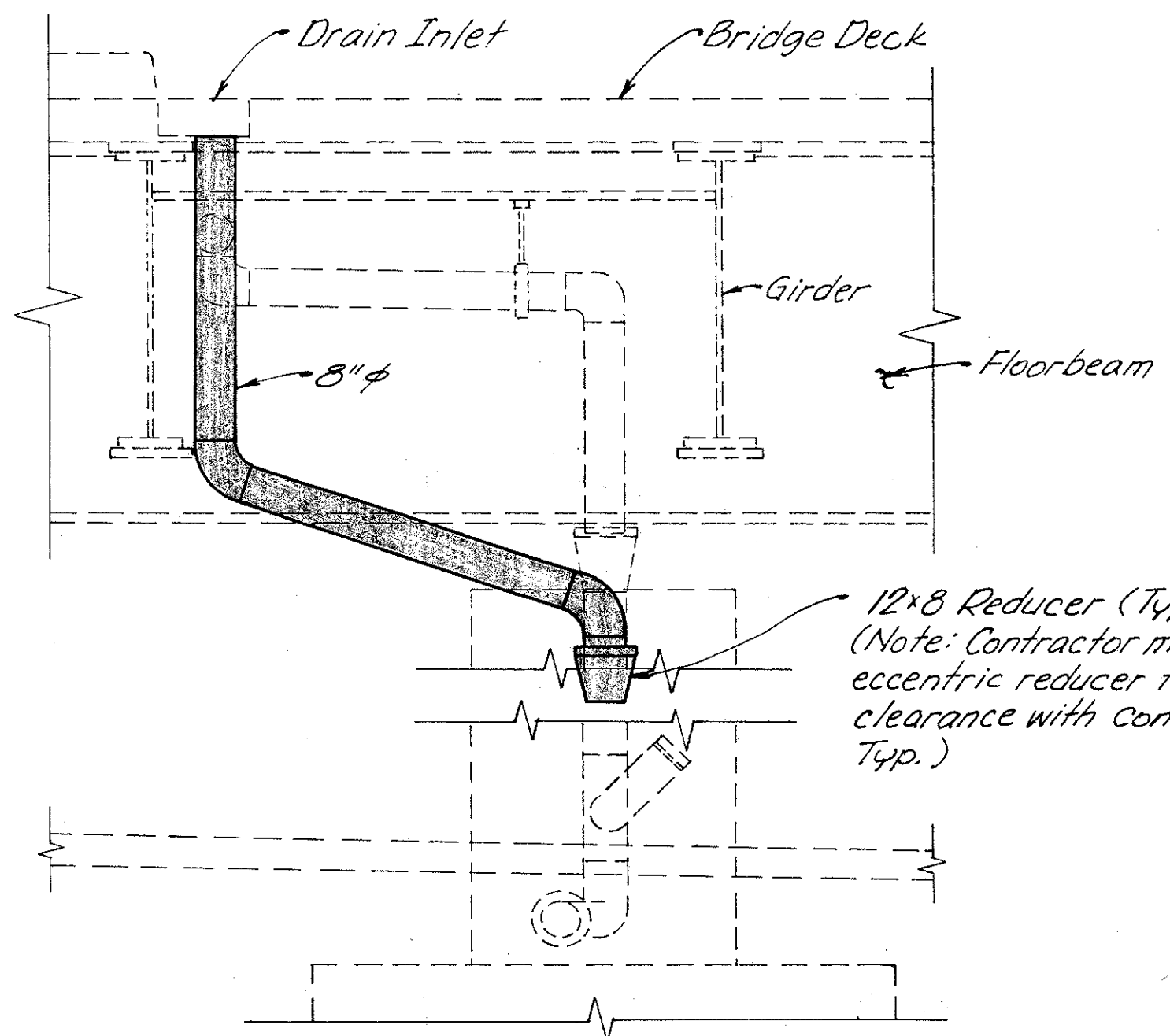
SECTION H-H



SECTION K-K

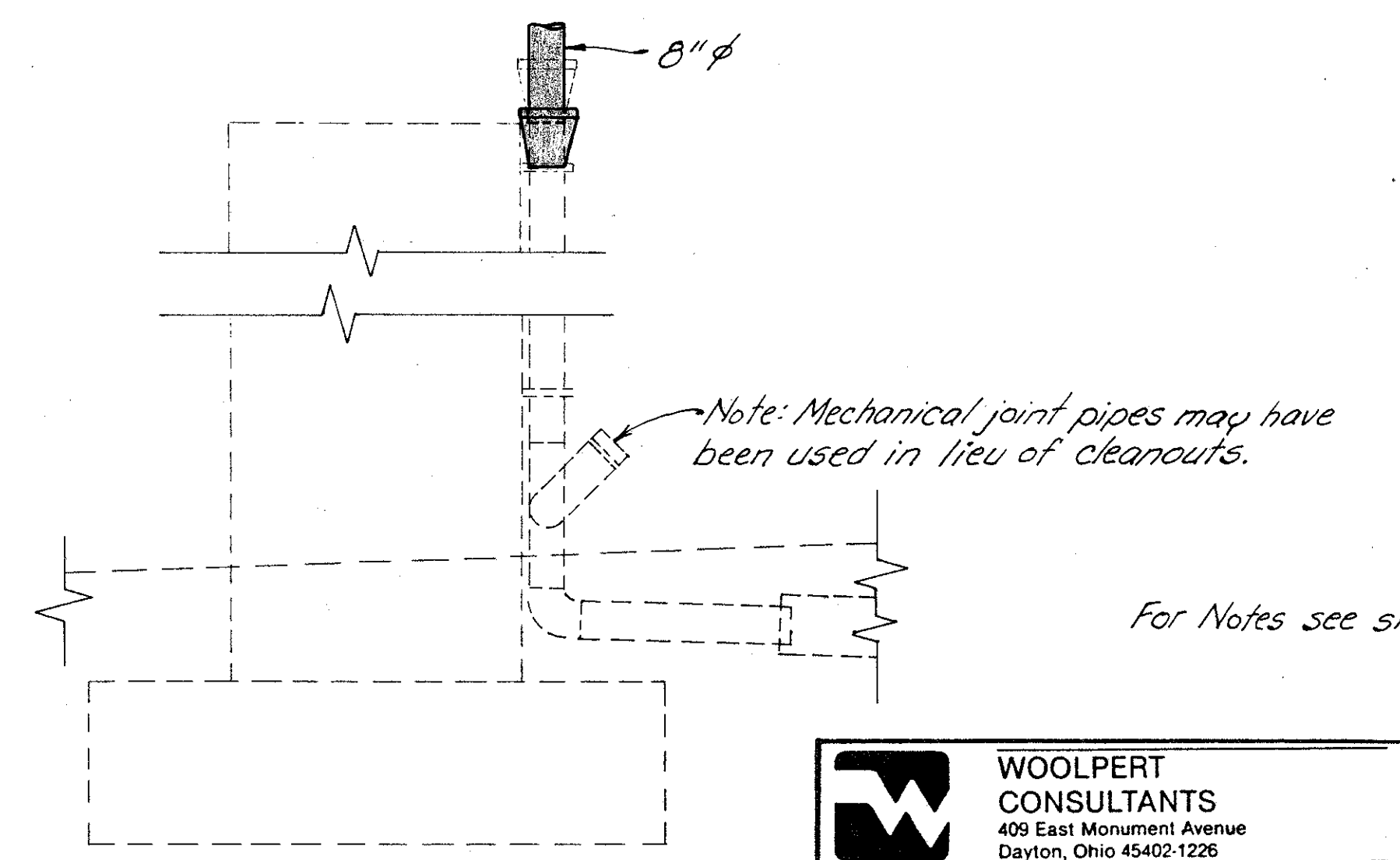


SECTION G-G



SECTION J-J

12x8 Reducer (Typ.)  
(Note: Contractor may use eccentric reducer to provide clearance with concrete. Typ.)



SECTION L-L

Note: Mechanical joint pipes may have been used in lieu of cleanouts.

For Notes see sht. 7/9

		WOOLPERT CONSULTANTS 409 East Monument Avenue Dayton, Ohio 45402-1226		9/9	
<b>DRAINAGE DETAILS</b>					
BRIDGE NO. HAM-71-0243 R OVER EDEN PARK ENTRANCE AND FLORENCE AVE. HAMILTON COUNTY					
DESIGNED	DRAWN	TRACED	CHECKED	REVIEWED	DATE
L.A.T.M.	L.A.P.		D.E.M.	P.W.G.	11/11/94



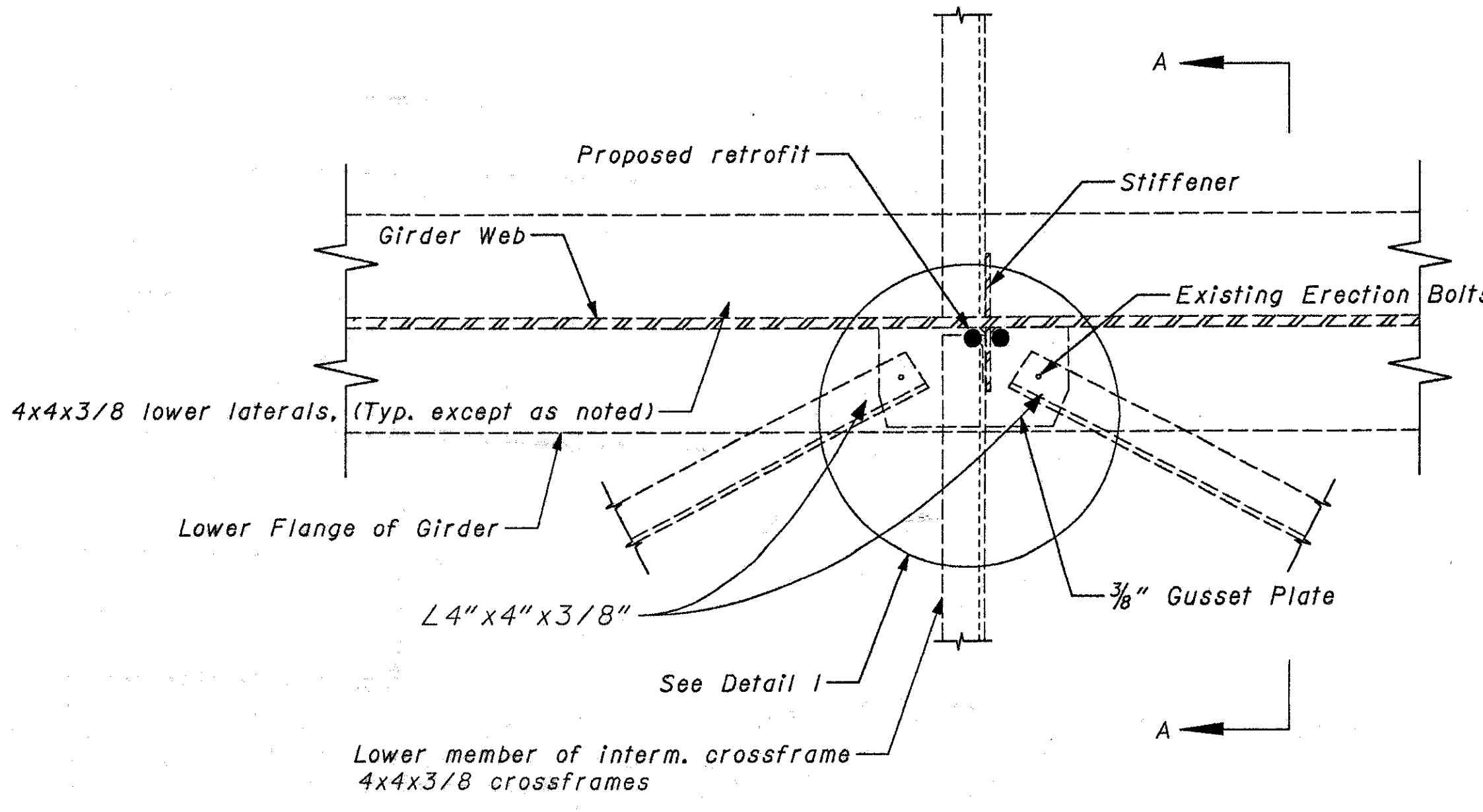
### ITEM SPECIAL - LATERAL BRACING GUSSET PLATE RETROFIT UPGRADE

This work shall consist of the following sequence of operations performed on one lateral bracing gusset plate:

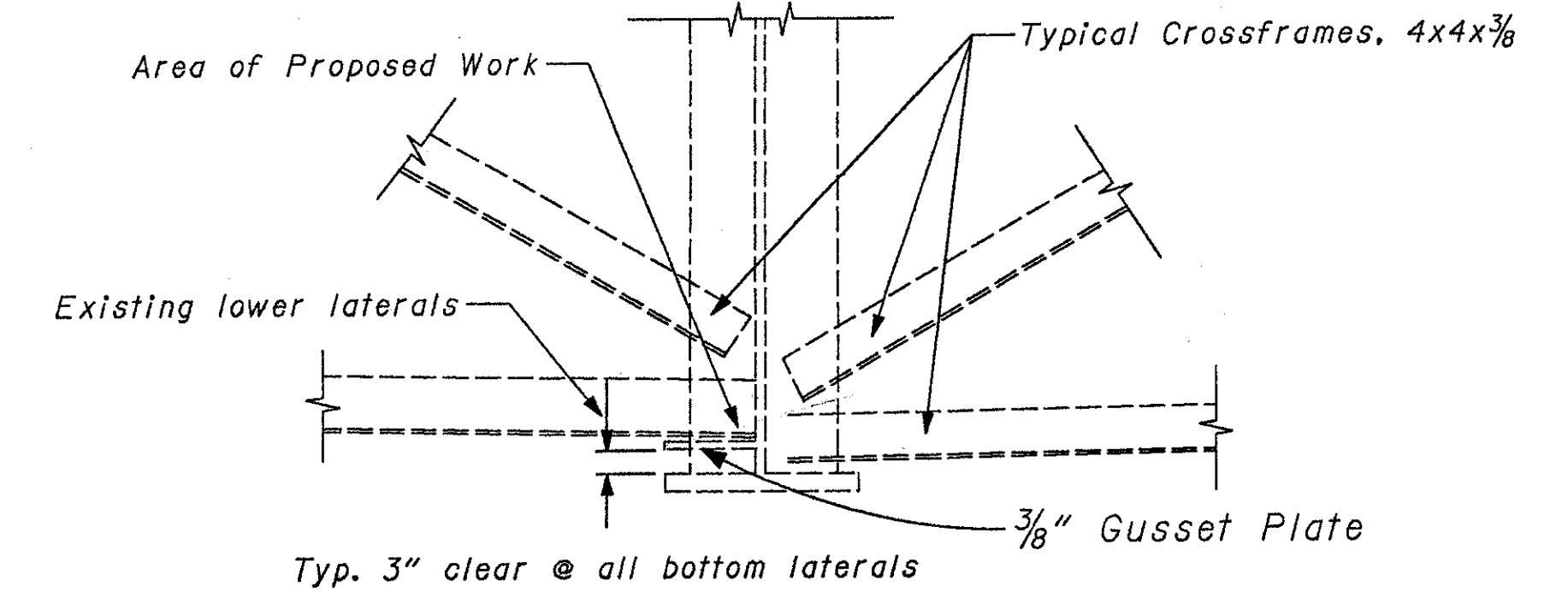
1. Drill the two 3 inch or six 2 inch vertical holes through the gusset plate removing the gusset plate to web and gusset plate to stiffener fillet welds at the locations without gouging the web or stiffener. See retrofit details contained herein. If the bolts are found to interfere with the retrofit, the bolts may be removed prior to drilling and replaced after the retrofit is performed.
2. Drill the two 3 inch or six 2 inch vertical holes through the gusset plate removing the outside corners of the gusset plate without gouging the web.
3. Any remaining fillet welds at the gusset plate shall be ground so that the resulting surfaces of the web and stiffener are smooth. Extreme care shall be taken to ensure the full thickness of the web is maintained and no undercut, gouging or overgrinding of the web takes place. If the holes of step 1 and step 2 did not touch the face of the adjacent surface, the hole shall be ground so that a 1 inch minimum radius results.

The accepted number of retrofits described herein will be paid for at the contract unit price per location, which price and payment shall be full compensation for furnishing all material, labor, and equipment necessary to clean, drill, cut and grind the lateral bracing gusset retrofit area. A single location is considered to be one drilling operation, i.e. one or three holes depending on whether option A or option B is the selected method of retrofit. Payment will be made at the contract price bid under:

ITEM	UNIT	DESCRIPTION
Special	Each	Structure Misc: Lateral Bracing Gusset Plate Retrofit Upgrade (Intermediate)



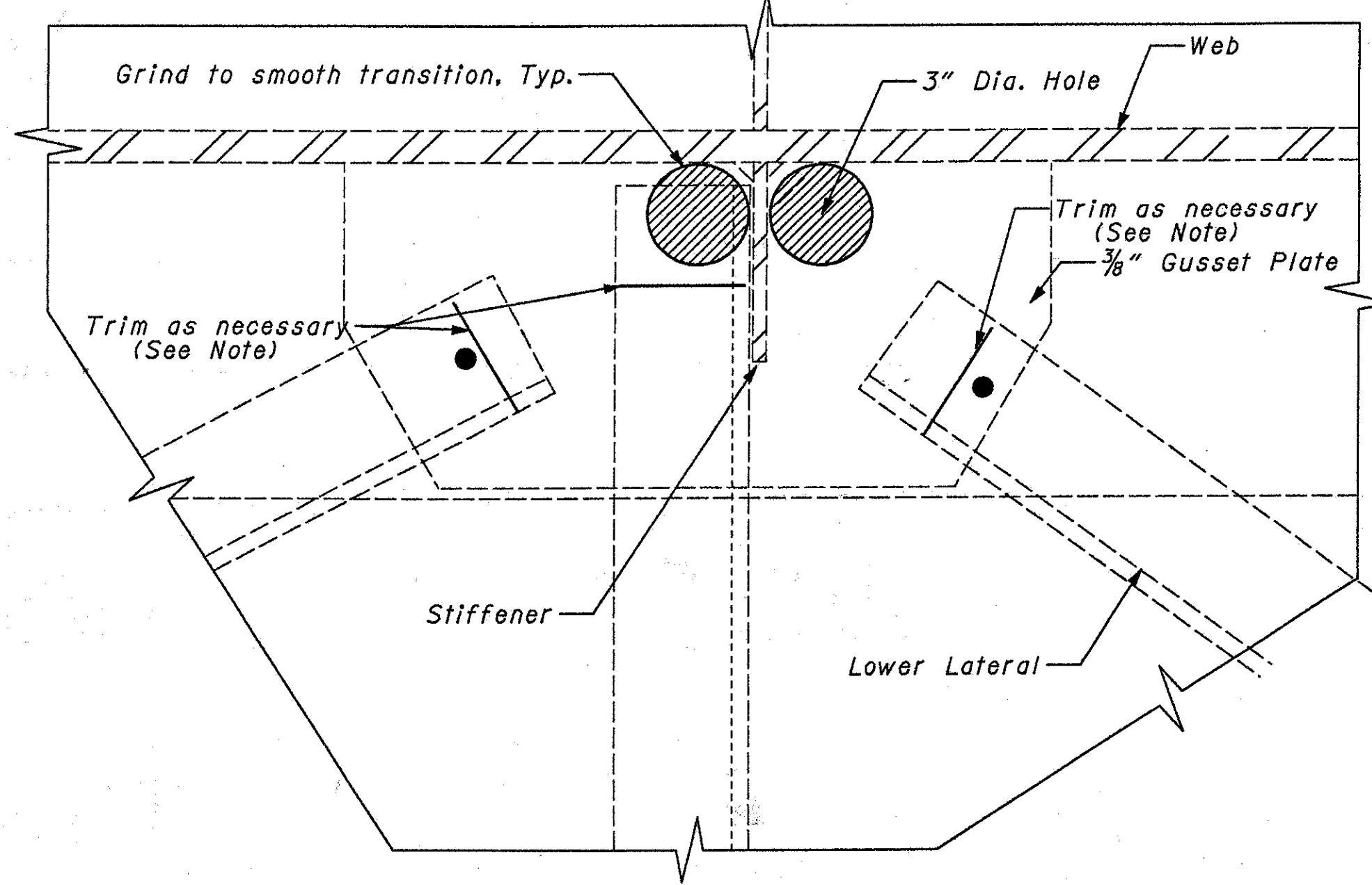
DETAILS OF BOTTOM LATERALS  
(EXISTING LOWER LATERAL CONNECTION DETAIL)



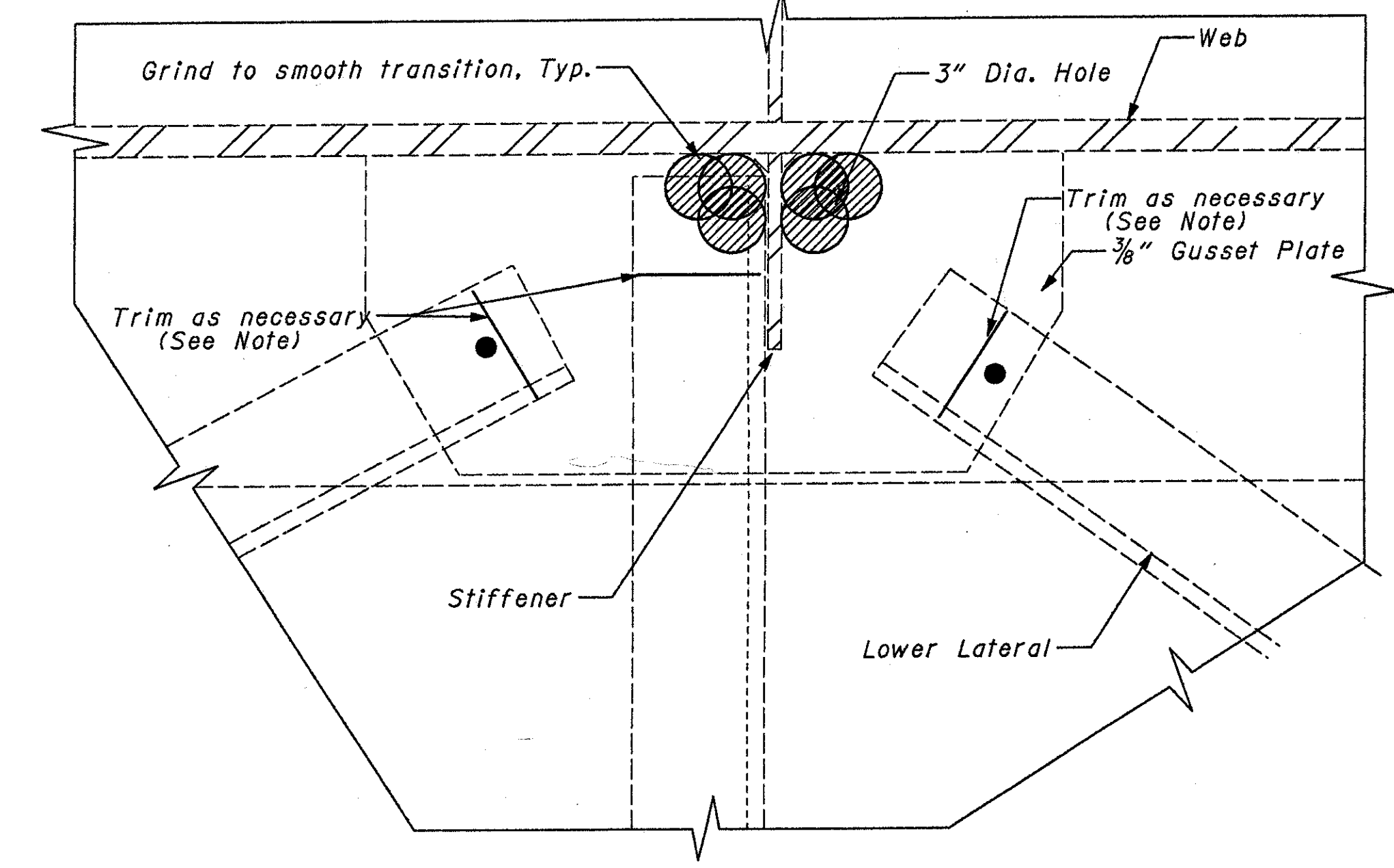
SECTION A-A

### CUTTING OF VERTICAL LEGS

At certain locations the lower lateral bracing and/or the horizontal member of the crossframe may have a section of its vertical leg cut in order to drill the holes as deemed necessary by the Engineer. If so the Contractor may cut the minimal amount of the vertical leg that the Engineer deems necessary to remove. The Contractor shall make the cut leaving a smooth arc or grind it smooth after the cut. Any damage done by the Contractor thru neglect or carelessness shall be repaired by him at no additional cost to the State of Ohio. The above work shall be included in Item Special - Structure Misc: Lateral Bracing Gusset Plate Retrofit Upgrade (Intermediate) for payment.



DETAIL I OPTION A



DETAIL I OPTION B

STATE OF OHIO DEPARTMENT OF TRANSPORTATION DISTRICT 8 BRIDGE DEPARTMENT 1/6					
Lower Lateral Retrofit Typical Details 1R-71 Hamilton County					
DESIGNED	DRAWN	REVIEWED	CHECKED	DATE	REVISIONS
SDC	SDC	RLE	RLE		

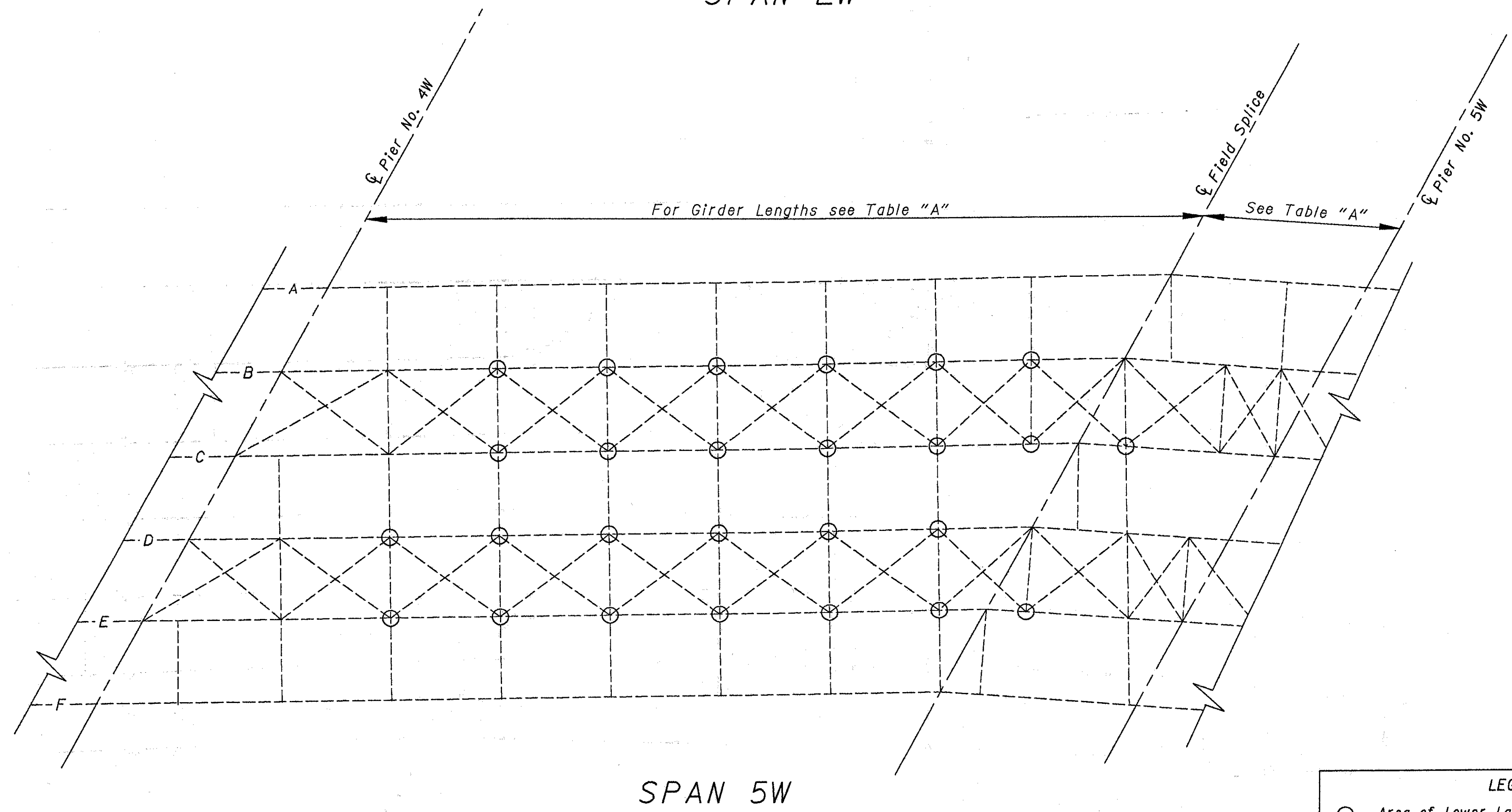
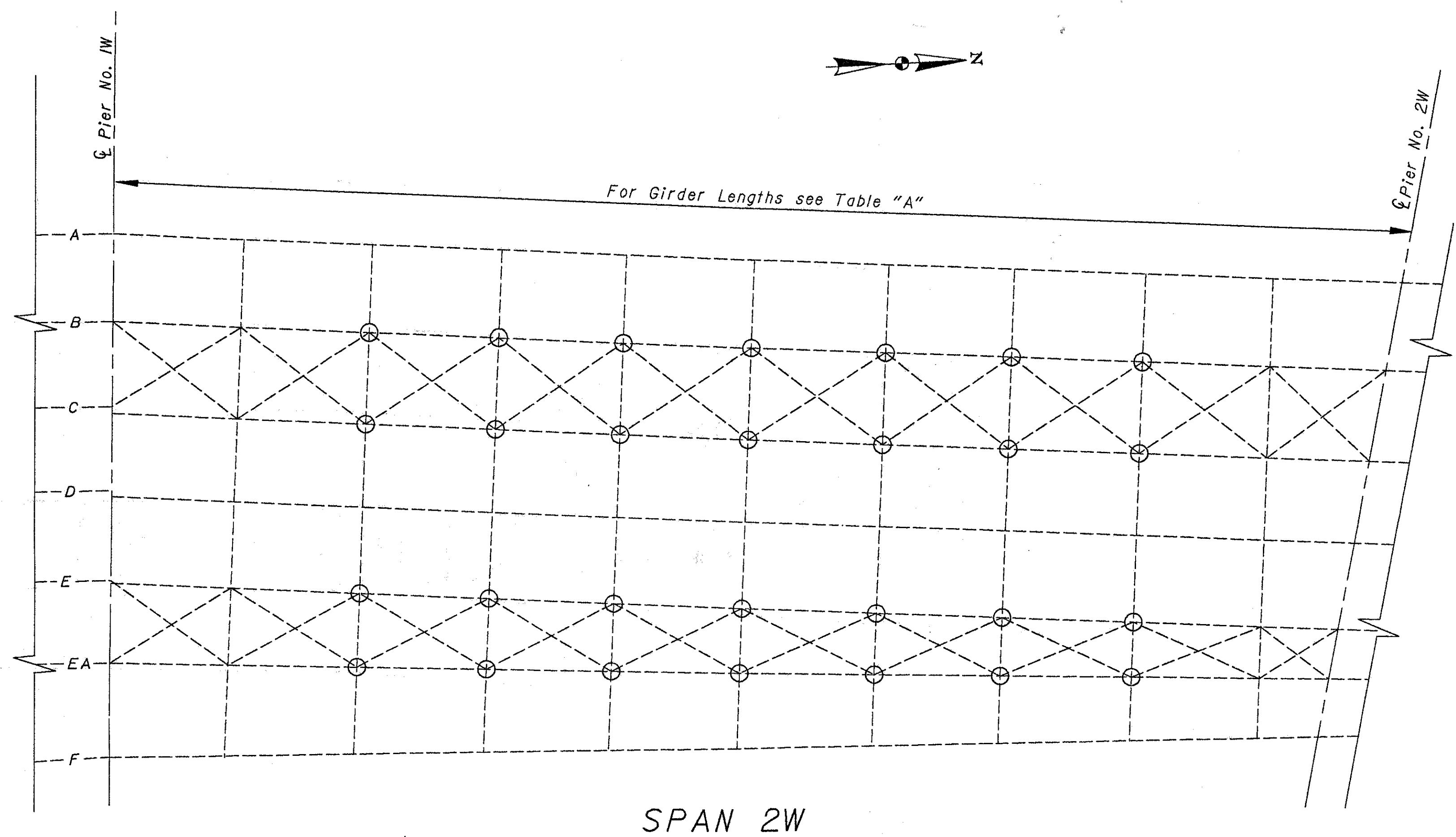


TABLE "A"

GIRDER	UNIT 1		
	Span 2W	Center of Pier 4W to Center of Splice	Center of Splice to Center of Pier 5W
A	149'-11 <sup>1</sup> / <sub>16</sub> "	102'-8 <sup>1</sup> / <sub>2</sub> "	21'-10 <sup>1</sup> / <sub>16</sub> "
B	147'-8 <sup>5</sup> / <sub>16</sub> "	103'-1"	21'-10 <sup>1</sup> / <sub>16</sub> "
C	145'-4 <sup>7</sup> / <sub>8</sub> "	103'-3 <sup>3</sup> / <sub>8</sub> "	21'-10 <sup>1</sup> / <sub>16</sub> "
D	143'-1 <sup>1</sup> / <sub>2</sub> "	103'-10 <sup>1</sup> / <sub>4</sub> "	21'-10 <sup>1</sup> / <sub>16</sub> "
E	140'-10 <sup>1</sup> / <sub>8</sub> "	103'-10 <sup>7</sup> / <sub>16</sub> "	21'-11"
EA	139'-0 <sup>7</sup> / <sub>8</sub> "	-	-
F	137'-4 <sup>9</sup> / <sub>16</sub> "	103'-10 <sup>5</sup> / <sub>8</sub> "	22'-0 <sup>1</sup> / <sub>8</sub> "

LEGEND

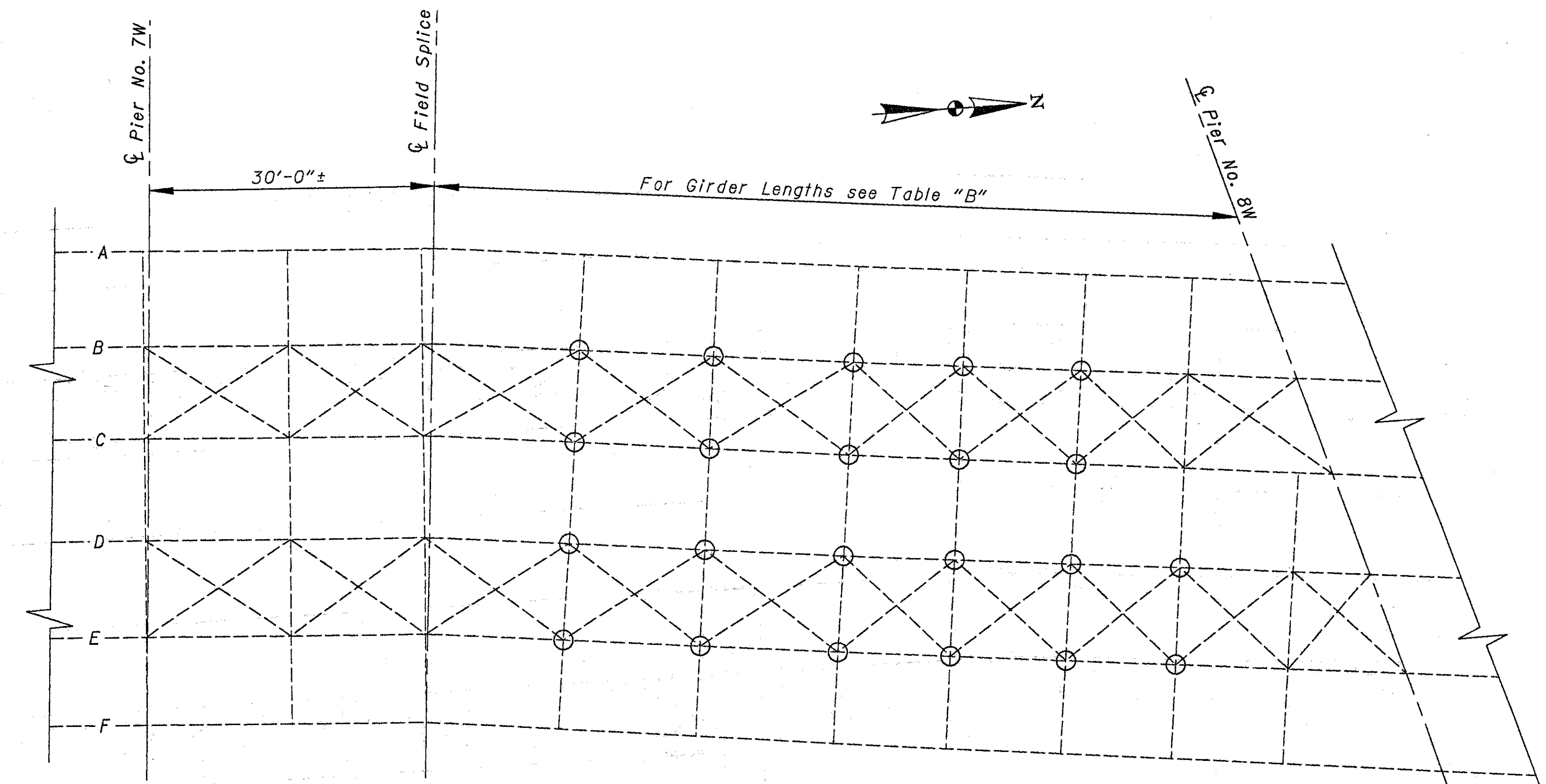
○ Area of Lower Lateral Retrofit Locations  
See Details of Retrofits on Sheet 1/6.

STATE OF OHIO  
DEPARTMENT OF TRANSPORTATION  
DISTRICT 8 BRIDGE DEPARTMENT

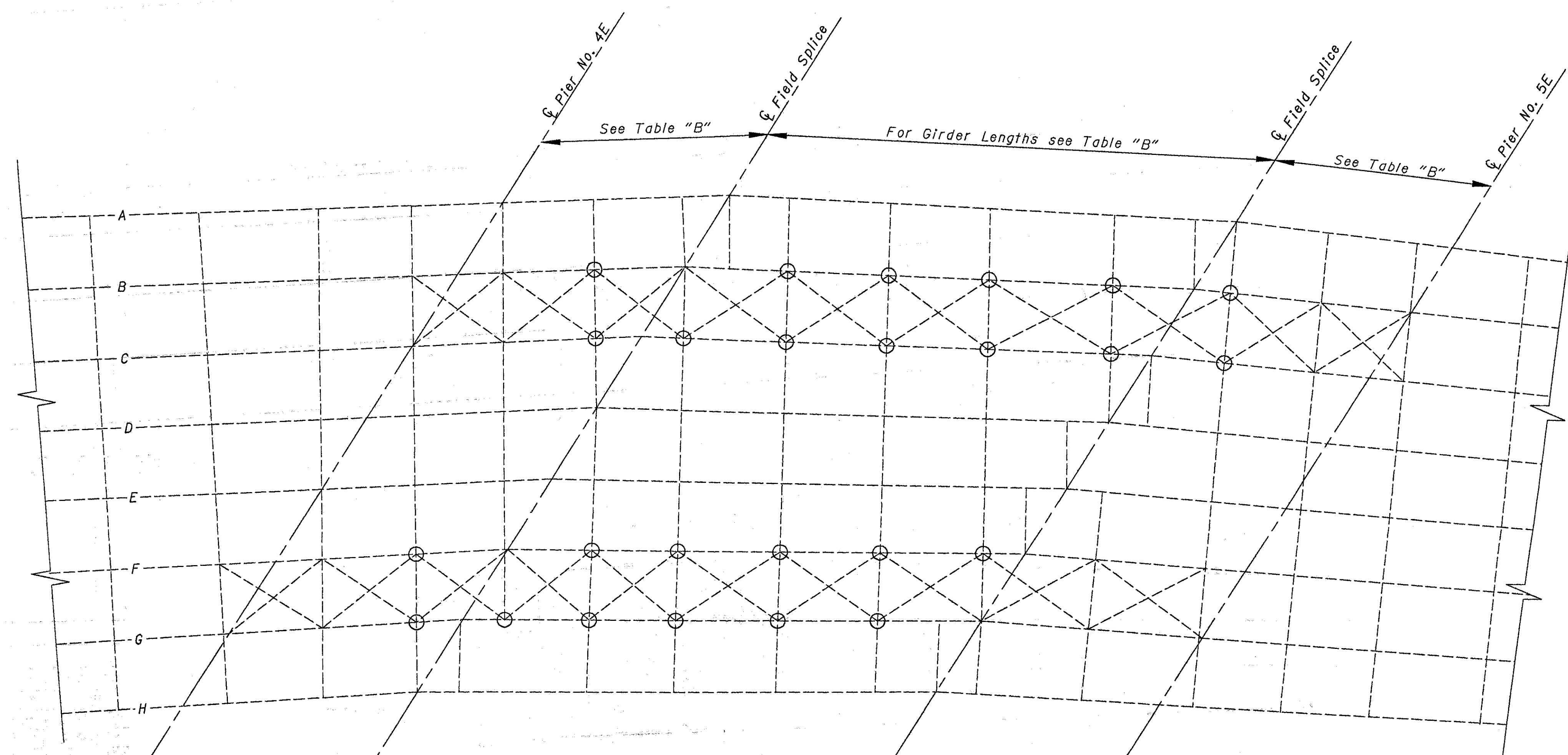
FRAMING PLAN UNIT 1  
BRIDGE NO. HAM-71-0154  
over Southbound I-471  
Hamilton County

DESIGNED	DRAWN	REVIEWED	CHECKED	DATE	REVISIONS
SDC	SDC	RLE	RLE		





SPAN 8W



SPAN 5E

TABLE "B"

GIRDER	UNIT 2		UNIT 4	
	¢ Splice to ¢ Pier 8W	¢ Pier 4E to ¢ Splice	¢ Splice to ¢ Splice	¢ Splice to ¢ Pier 5E
A	92'-11 <sup>1</sup> / <sub>16</sub> "	30'-10"	66'-4 <sup>1</sup> / <sub>16</sub> "	29'-7 <sup>1</sup> / <sub>16</sub> "
B	95'-8 <sup>9</sup> / <sub>16</sub> "	30'-11 <sup>9</sup> / <sub>16</sub> "	66'-7 <sup>1</sup> / <sub>2</sub> "	29'-8 <sup>5</sup> / <sub>16</sub> "
C	99'-4 <sup>1</sup> / <sub>16</sub> "	31'-0 <sup>1</sup> / <sub>16</sub> "	66'-10 <sup>9</sup> / <sub>16</sub> "	29'-10 <sup>1</sup> / <sub>2</sub> "
D	102'-11 <sup>9</sup> / <sub>16</sub> "	31'-2 <sup>1</sup> / <sub>8</sub> "	67'-2 <sup>9</sup> / <sub>16</sub> "	30'-0 <sup>1</sup> / <sub>16</sub> "
E	106'-7 <sup>1</sup> / <sub>16</sub> "	31'-3 <sup>3</sup> / <sub>4</sub> "	67'-5 <sup>1</sup> / <sub>16</sub> "	30'-1 <sup>5</sup> / <sub>8</sub> "
F	110'-3 <sup>5</sup> / <sub>16</sub> "	31'-5 <sup>1</sup> / <sub>2</sub> "	67'-8 <sup>5</sup> / <sub>16</sub> "	30'-3 <sup>3</sup> / <sub>4</sub> "
G	-	31'-7 <sup>1</sup> / <sub>16</sub> "	68'-0 <sup>1</sup> / <sub>16</sub> "	30'-4 <sup>7</sup> / <sub>8</sub> "
H	-	31'-9 <sup>1</sup> / <sub>2</sub> "	68'-3 <sup>1</sup> / <sub>8</sub> "	30'-6 <sup>3</sup> / <sub>16</sub> "

LEGEND  
 ○ Area of Lower Lateral Retrofit Locations  
 See Details of Retrofits on Sheet 1/6.

STATE OF OHIO  
 DEPARTMENT OF TRANSPORTATION  
 DISTRICT 8 BRIDGE DEPARTMENT 3/26

FRAMING PLAN UNITS 2&4  
 BRIDGE NO. HAM-71-0154  
 over Southbound I-471  
 Hamilton County

DESIGNED	DRAWN	REVIEWED	CHECKED	DATE	REVISIONS
SDC	SDC	RLE	RLE		

DATE: \_\_\_\_\_  
 BY: \_\_\_\_\_  
 CHECKED: \_\_\_\_\_  
 DATE: \_\_\_\_\_

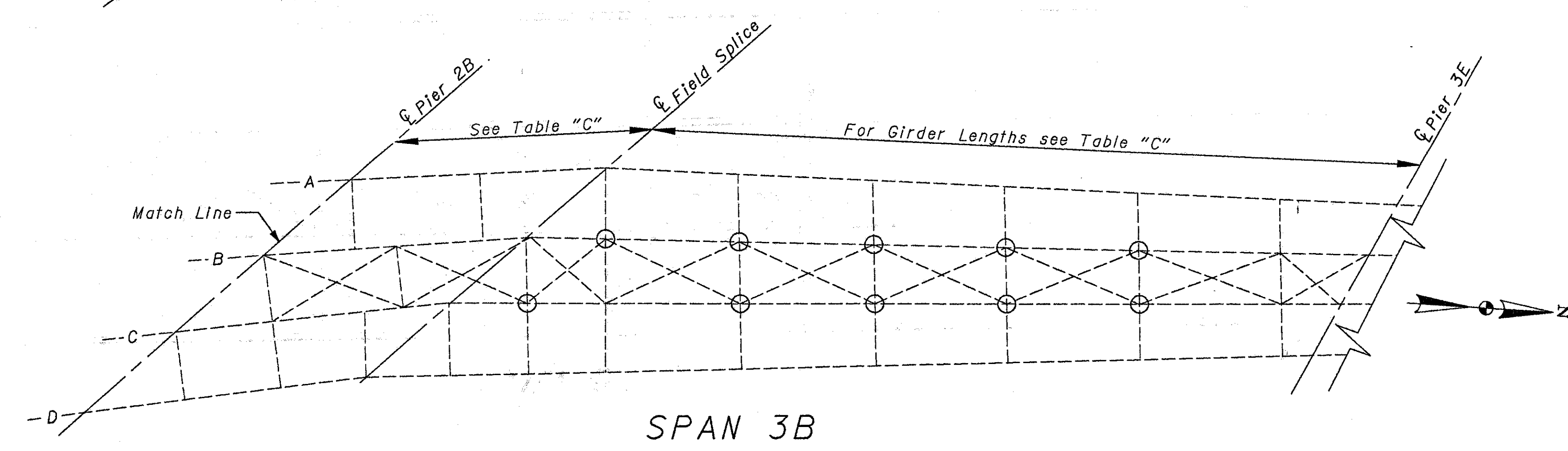
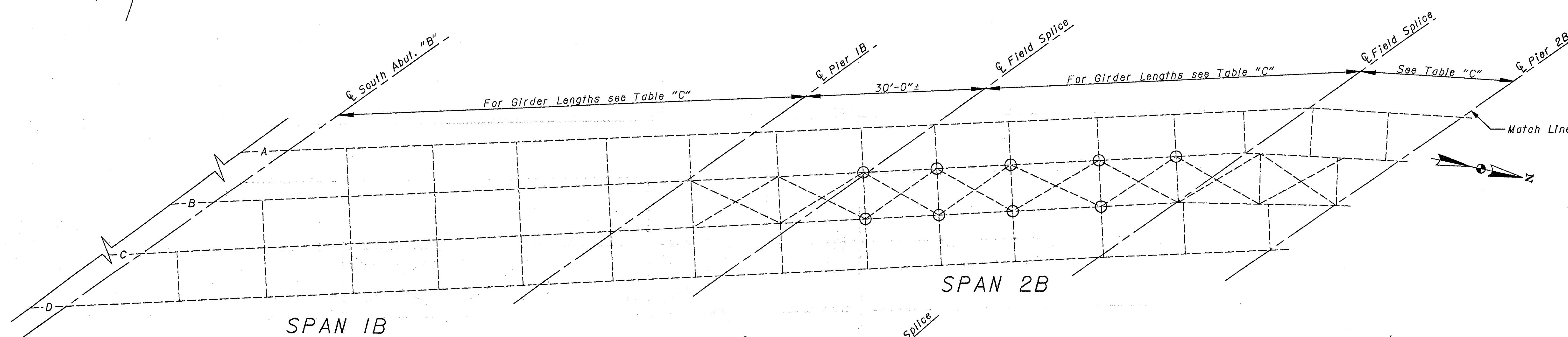
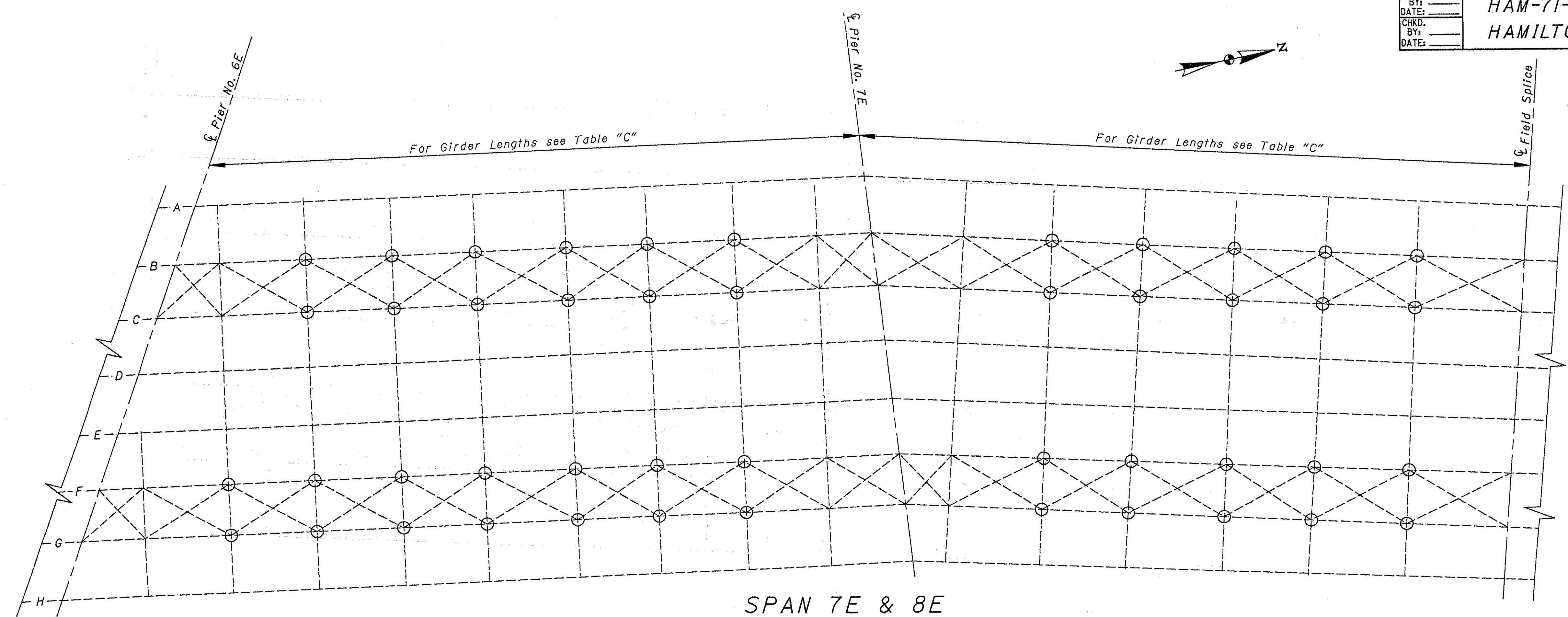


TABLE "A"

GIRDER	UNIT 5		UNIT 6			
	Span 7E	¢ Pier 7E to ¢ Splice	¢ Splice to ¢ Splice	¢ Splice to ¢ Pier 2B	¢ Pier 2B to ¢ Splice	¢ Splice to ¢ Pier 3E
A	109'-9½"	108'-5½"	64'-5½"	27'-9½"	27'-8¾"	86'-2¾"
B	114'-1"	106'-7½"	65'-11½"	28'-7½"	28'-5½"	91'-10¼"
C	118'-4¾"	104'-10½"	67'-6"	29'-5½"	29'-3¾"	97'-6¾"
D	122'-8½"	103'-0½"	67'-6"	31'-0½"	30'-10¾"	103'-3¼"
E	126'-11½"	101'-2½"	-	-	-	-
F	131'-3¾"	99'-5¼"	-	-	-	-
G	135'-6¾"	97'-7¾"	-	-	-	-
H	139'-10½"	95'-9½"	-	-	-	-

LEGEND

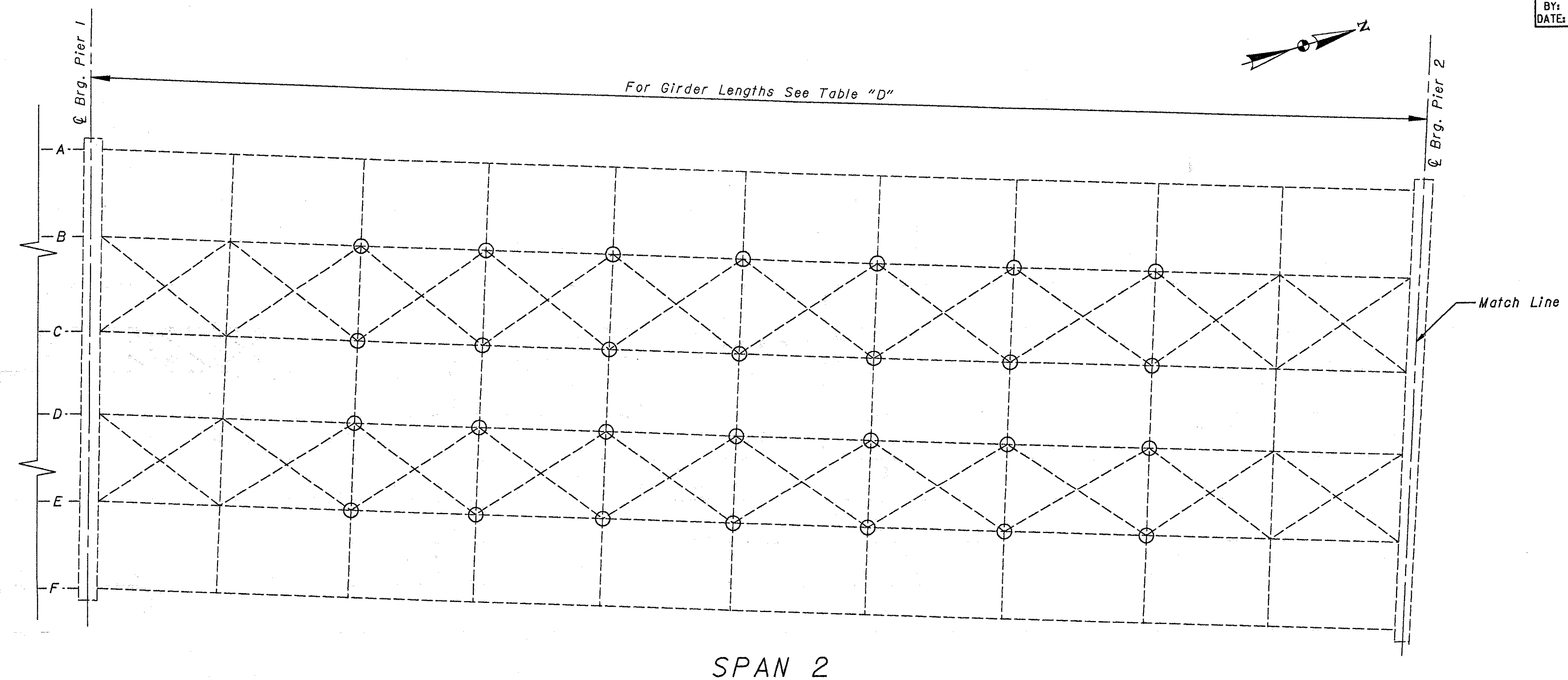
○ Area of Lower Lateral Retrofit Locations  
 See Details of Retrofits on Sheet 1/6.

STATE OF OHIO  
 DEPARTMENT OF TRANSPORTATION  
 DISTRICT 8 BRIDGE DEPARTMENT 4/6

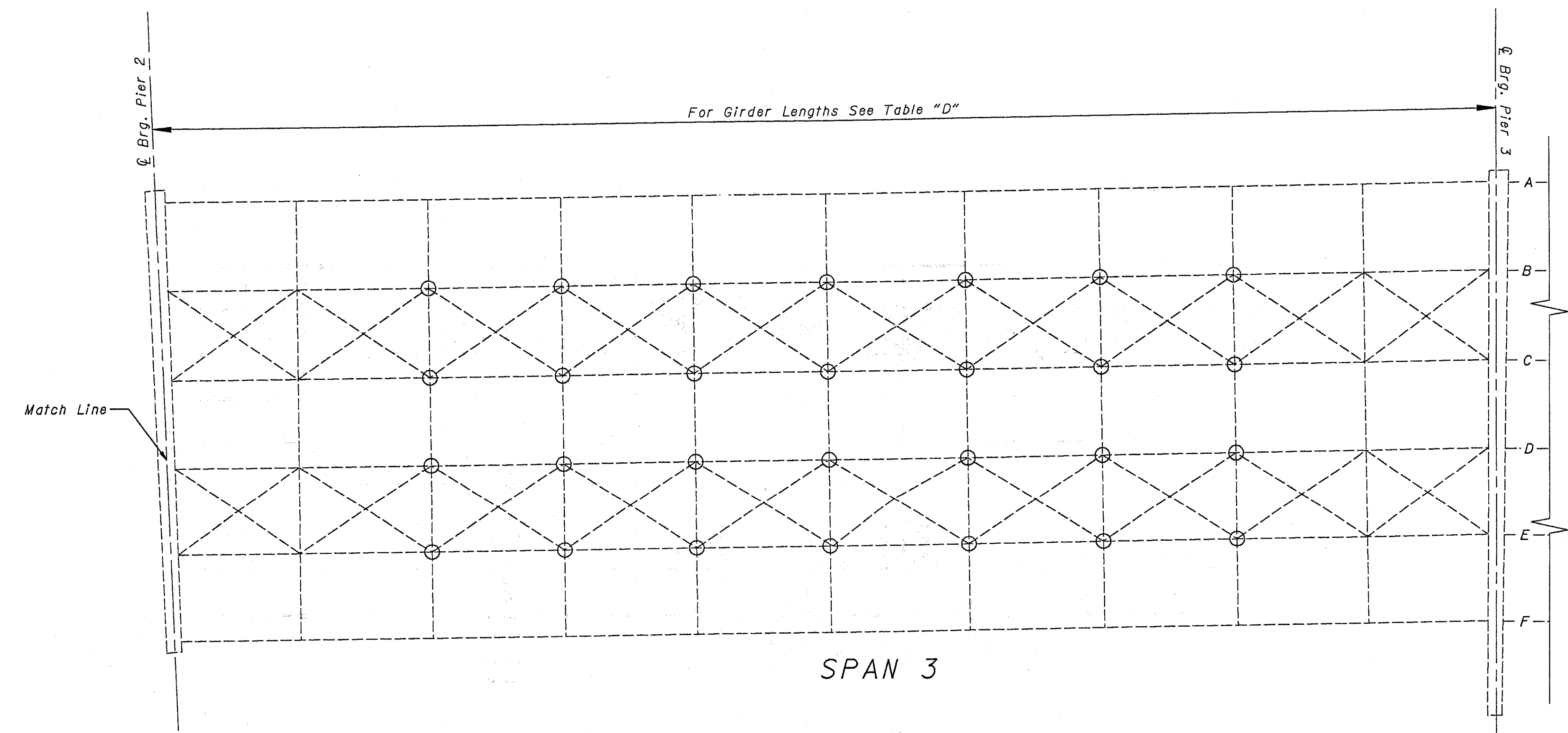
FRAMING PLAN UNITS 5&6  
 BRIDGE NO. HAM-71-0154  
 over Southbound I-471  
 Hamilton County

DESIGNED	DRAWN	REVIEWED	CHECKED	DATE	REVISIONS
SDC	SDC	RLE	RLE		





SPAN 2



SPAN 3

TABLE "D"

GIRDER	Span 2	Span 3
A	145'-11/8"	144'-11 5/8"
B	144'-7 1/16"	144'-6 3/8"
C	144'-1 1/16"	144'-0 3/4"
D	143'-8"	143'-7 5/16"
E	143'-2 1/4"	143'-1 1/8"
F	142'-8 3/16"	142'-8 1/16"

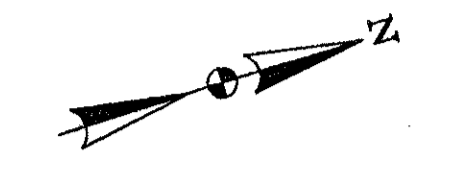
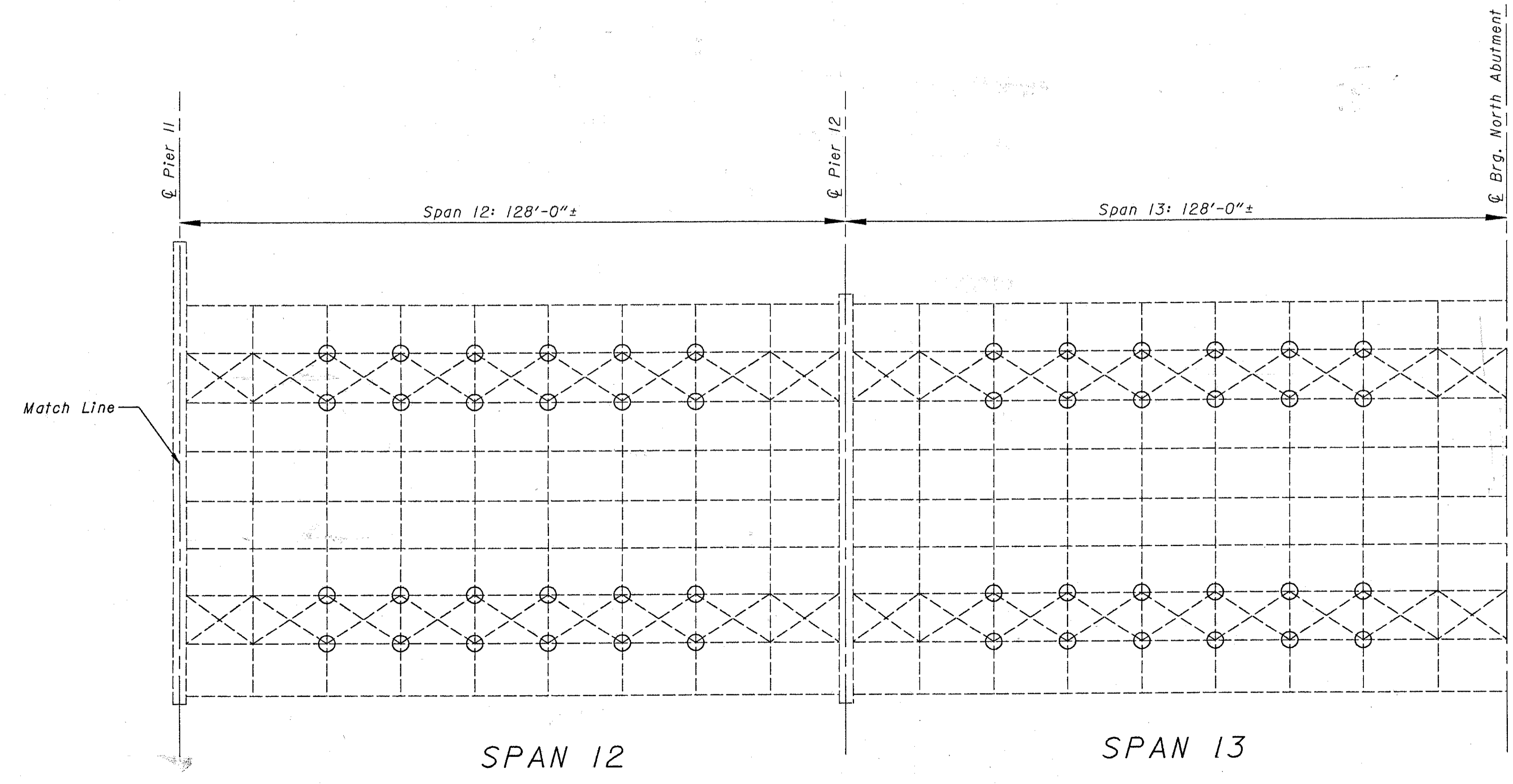
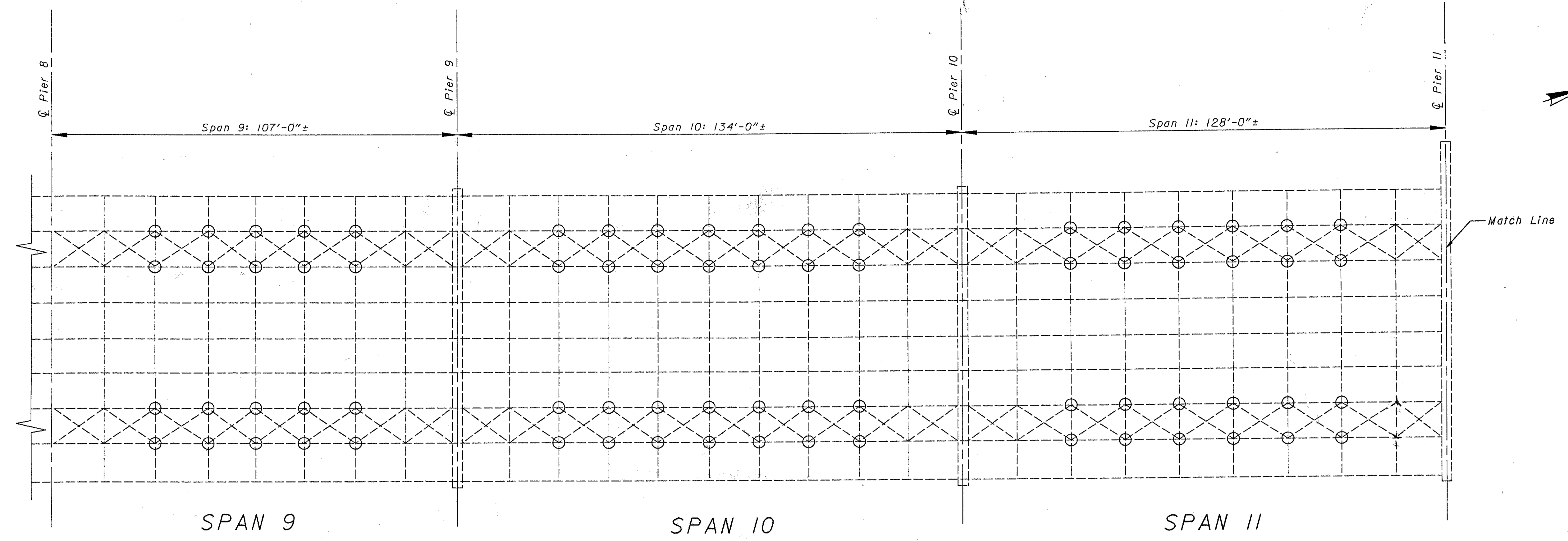
LEGEND  
 ○ Area of Lower Lateral Retrofit Locations  
 See Details of Retrofits on Sheet 1/6.

STATE OF OHIO  
 DEPARTMENT OF TRANSPORTATION  
 DISTRICT 8 BRIDGE DEPARTMENT 5/6

FRAMING PLAN  
 BRIDGE NO. HAM-71-0243L  
 over Eden Pk. Entrance, US 42  
 Hamilton County

DESIGNED	DRAWN	REVIEWED	CHECKED	DATE	REVISIONS
SDC	SDC	RLE	RLE		

REVISIONS



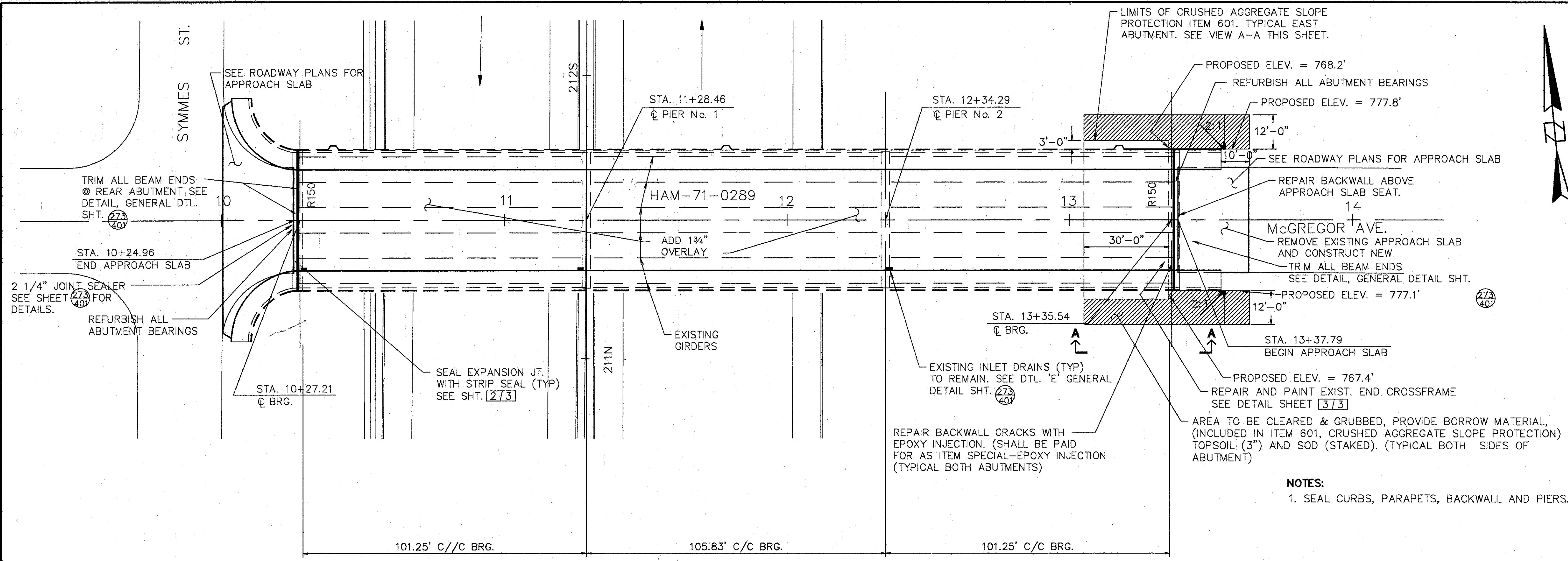
**LEGEND**  
 ○ Area of Lower Lateral Retrofit Locations  
 See Details of Retrofits on Sheet 1/6.

STATE OF OHIO  
 DEPARTMENT OF TRANSPORTATION  
 DISTRICT 8 BRIDGE DEPARTMENT 6/6

FRAMING PLAN  
 BRIDGE NO. HAM-71-0243R  
 over Eden Pk. Entrance, US 42  
 Hamilton County

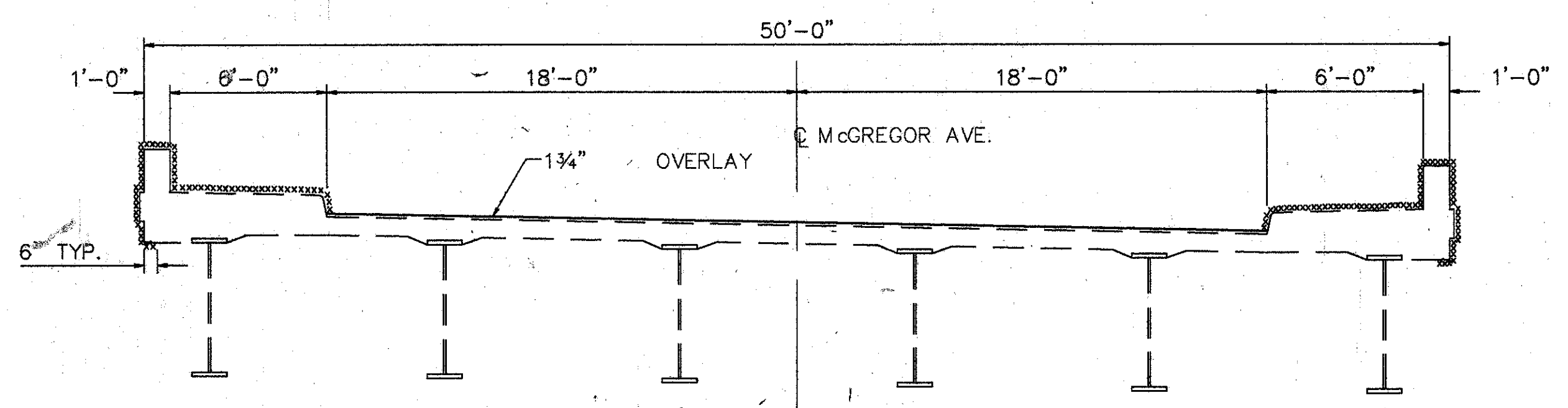
DESIGNED	DRAWN	REVIEWED	CHECKED	DATE	REVISIONS
SDC	SDC	RLE	RLE		





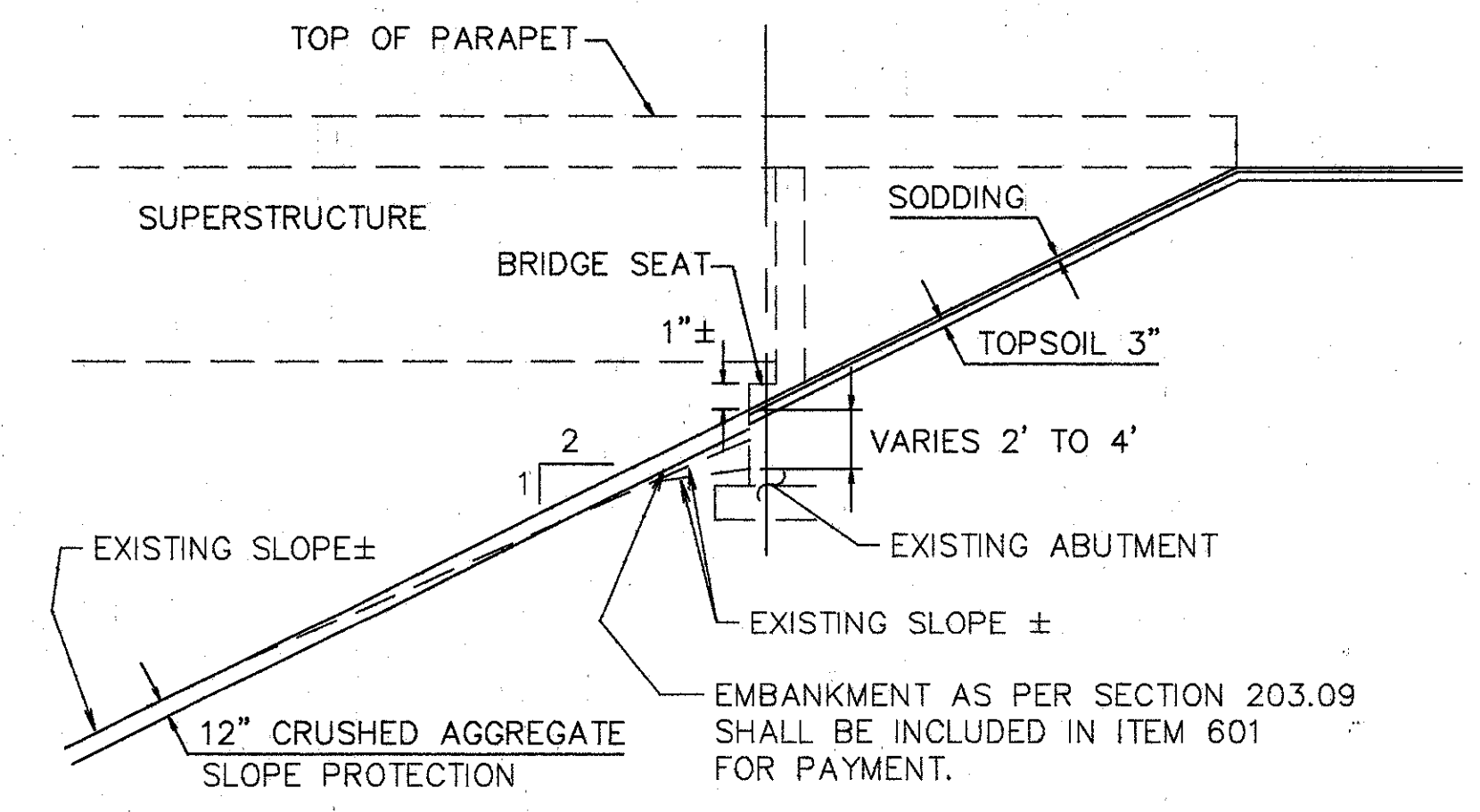
PLAN

ROCKER OR BOLSTER SIZE	JACK CAPACITY REQ'D. (MIN)
R150	100 TON



TYP. BRIDGE SECTION

XXXX SURFACES TO BE SEALED UNDER ITEM SPECIAL - SEALING OF CONCRETE SURFACES



VIEW A-A SLOPE PROTECTION REPAIR

N.T.S.

EXISTING STRUCTURE

TYPE: 3 SPAN CONTINUOUS PLATE GIRDER WITH REINFORCED CONCRETE DECK & SUBSTRUCTURE  
 SPANS: 101.25', 105.83', 101.25' C/C BEARING MEASURED ALONG BASE LINE  
 ROADWAY: 36'-0" F/F CURBS  
 SIDEWALK: 6'-0" BOTH SIDES  
 SKEW: NONE  
 LOADING FREQUENCY: C.F.=400 (57)  
 WEARING SURFACE: 1" MONOLITHIC CONCRETE  
 APPROACH SLABS: AS-1-54 (25'-0" LONG)  
 ALIGNMENT: TANGENT  
 SUPERELEVATION: AS SHOWN

**WOOLPERT CONSULTANTS**  
 409 E. MONUMENT AVENUE  
 DAYTON, OHIO 45402-1226  
 (513) 461-5660

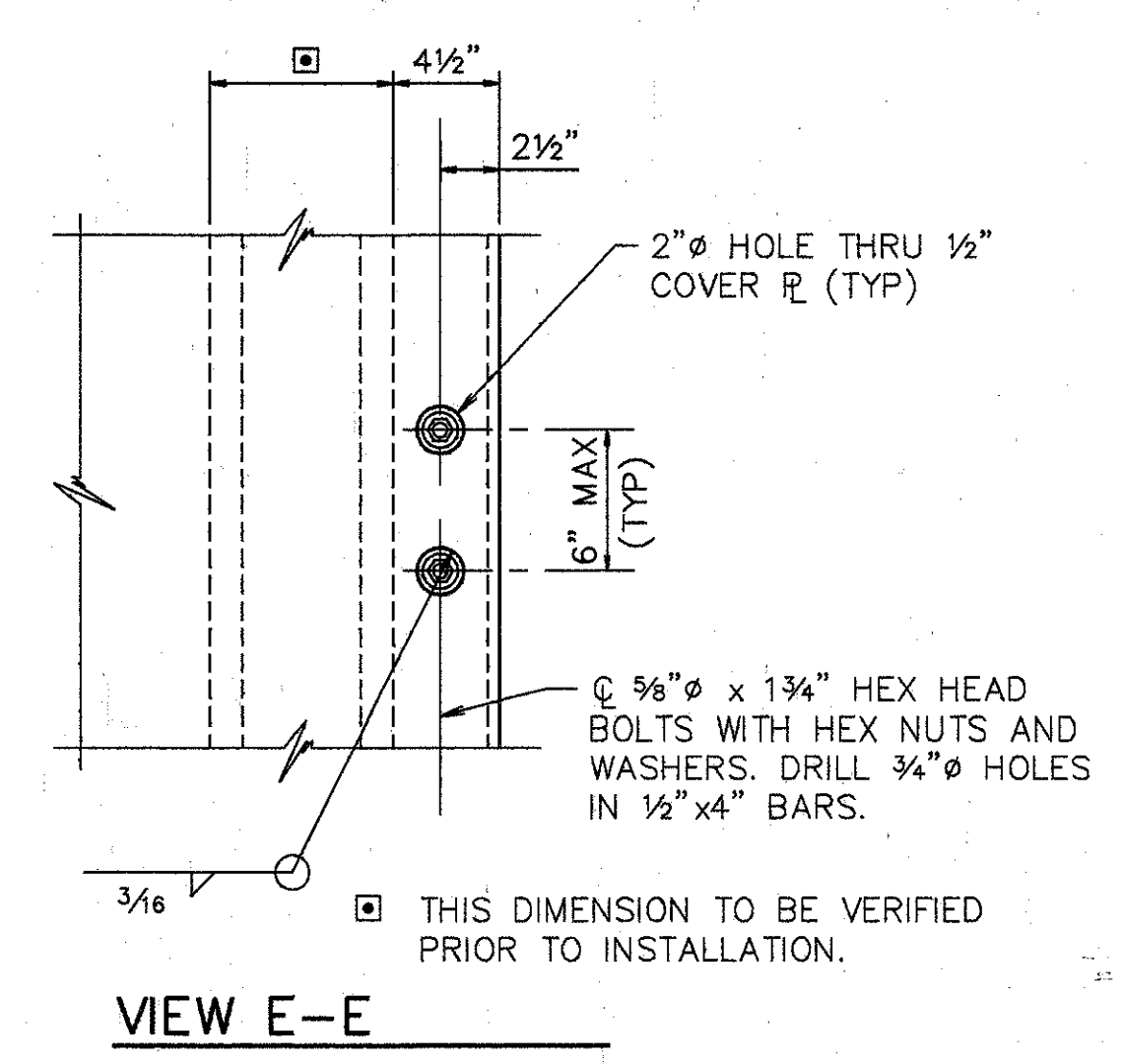
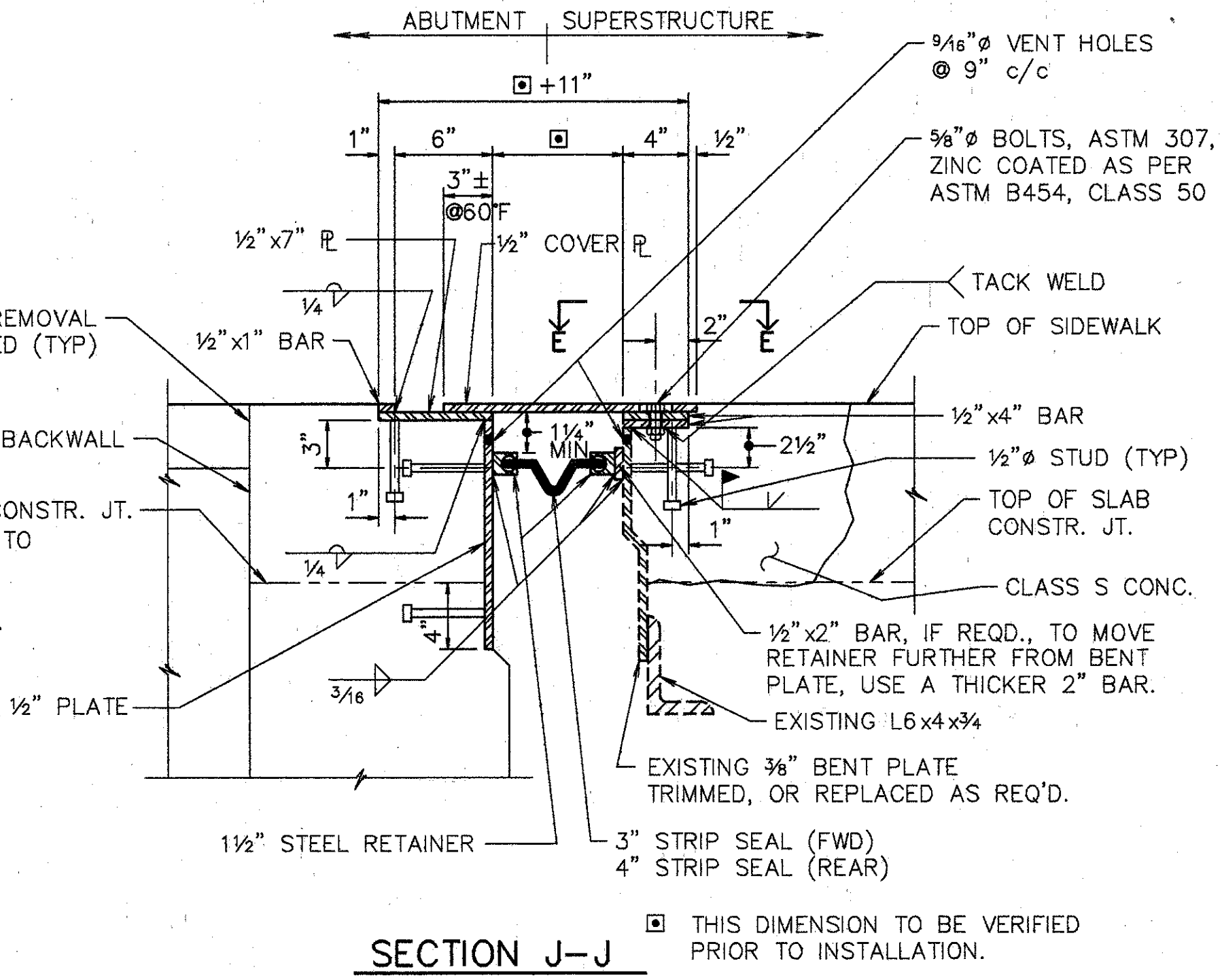
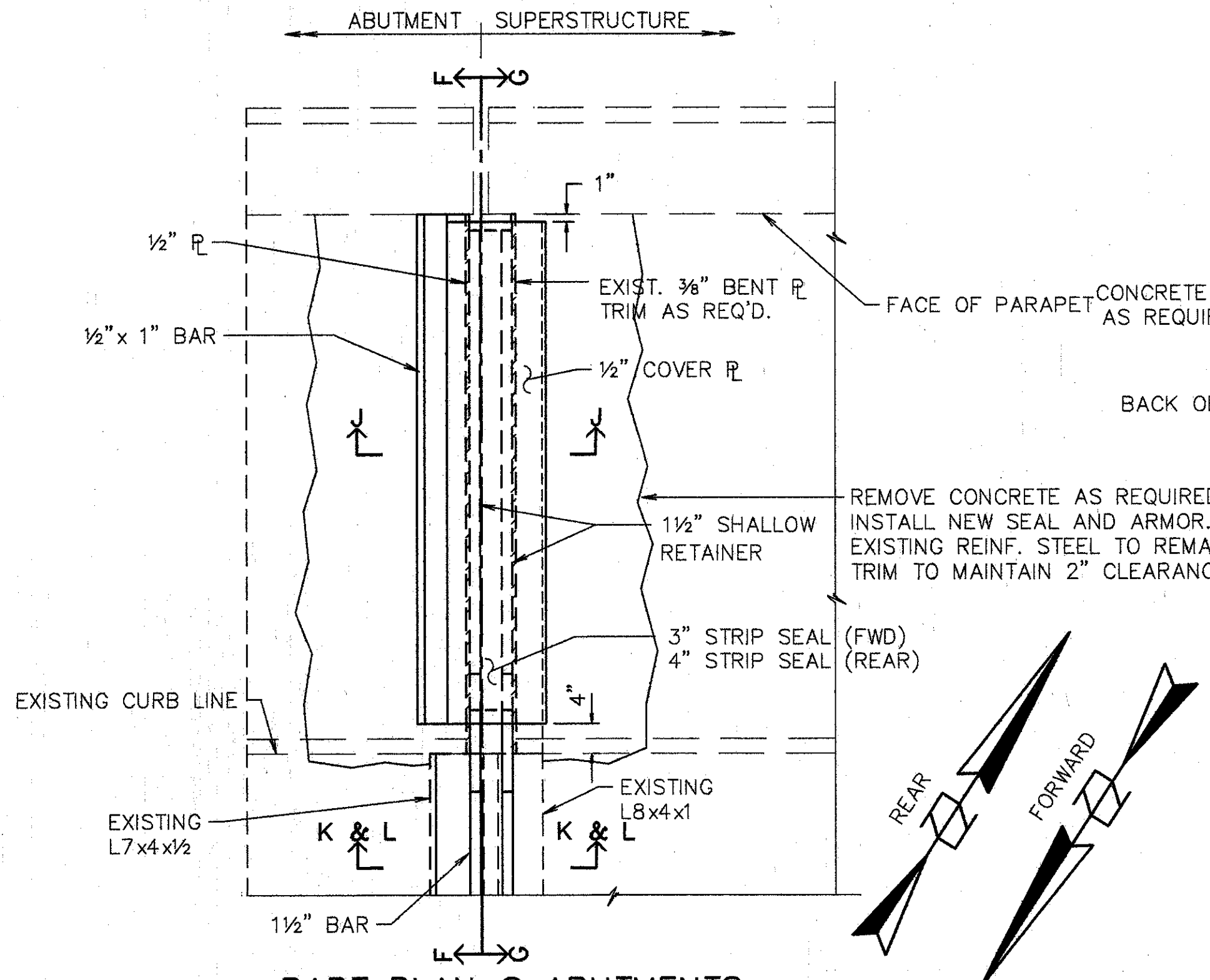
GENERAL PLAN

BRIDGE NO. HAM-71-0289  
 OVER INTERSTATE ROUTE 71

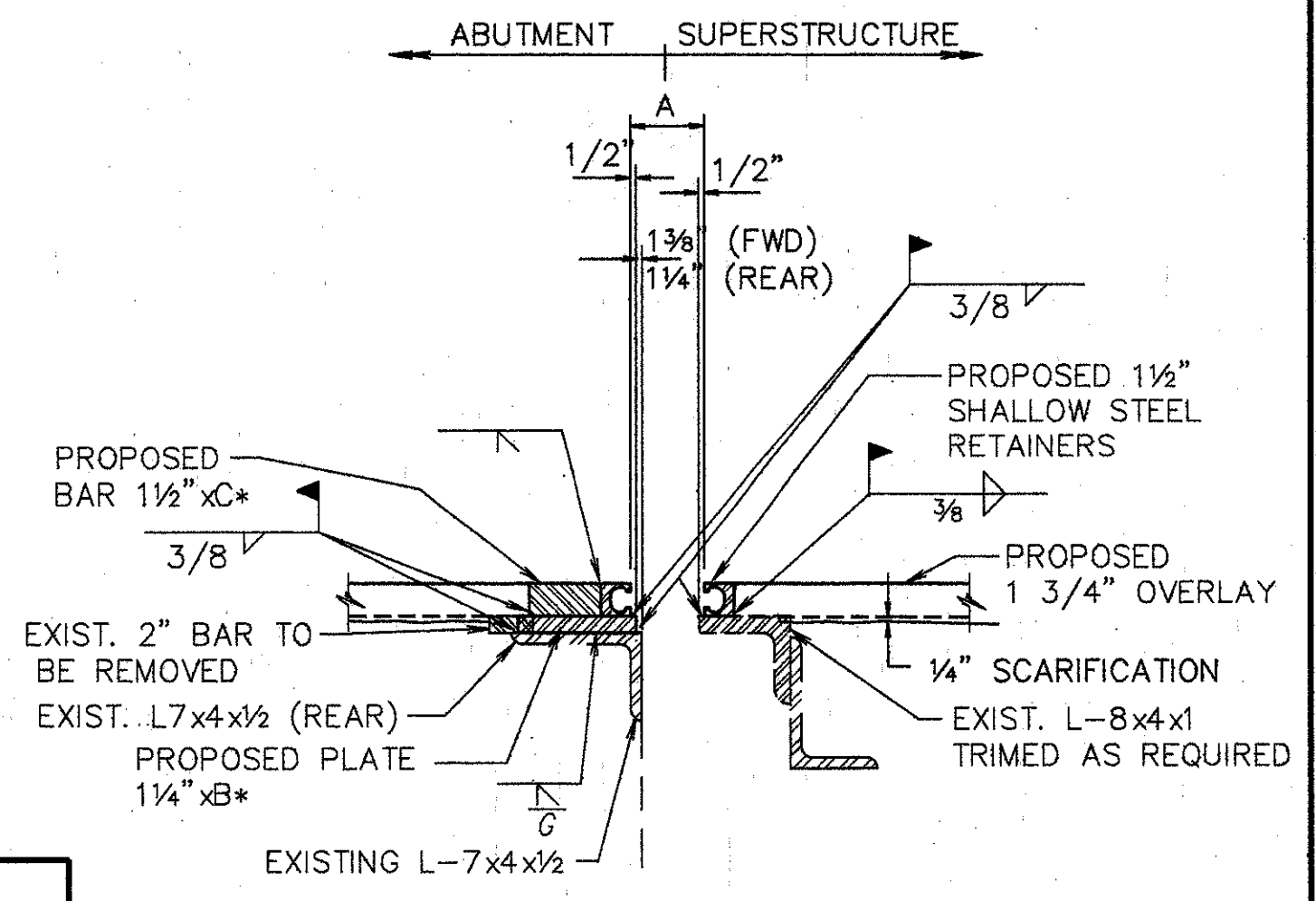
HAMILTON COUNTY

DESIGNED	DRAWN	TRACED	CHECKED	REVIEWED	DATE	REVISED
L.A.T.M.	D.E.E.		M.A.A.	D.E.M.	11/94	

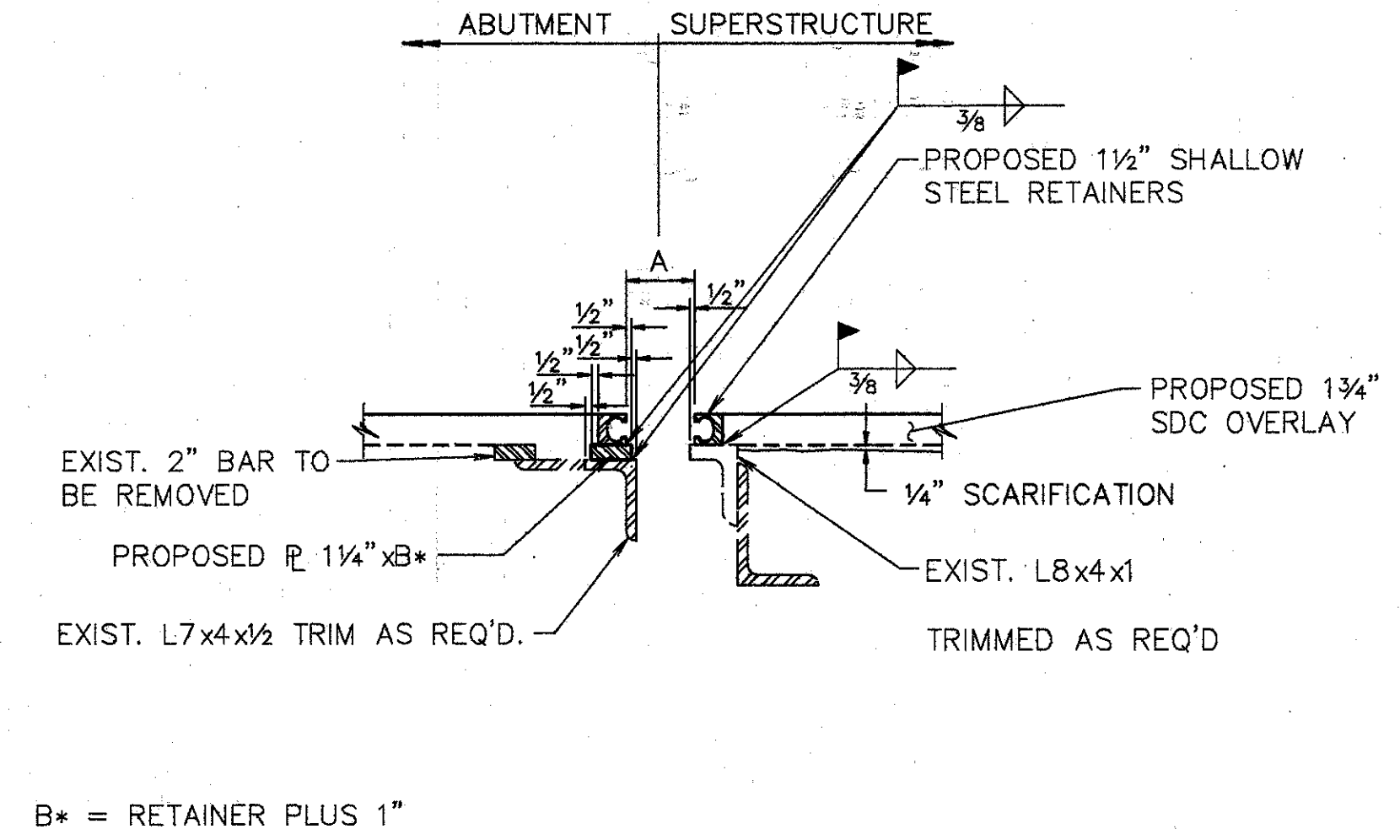
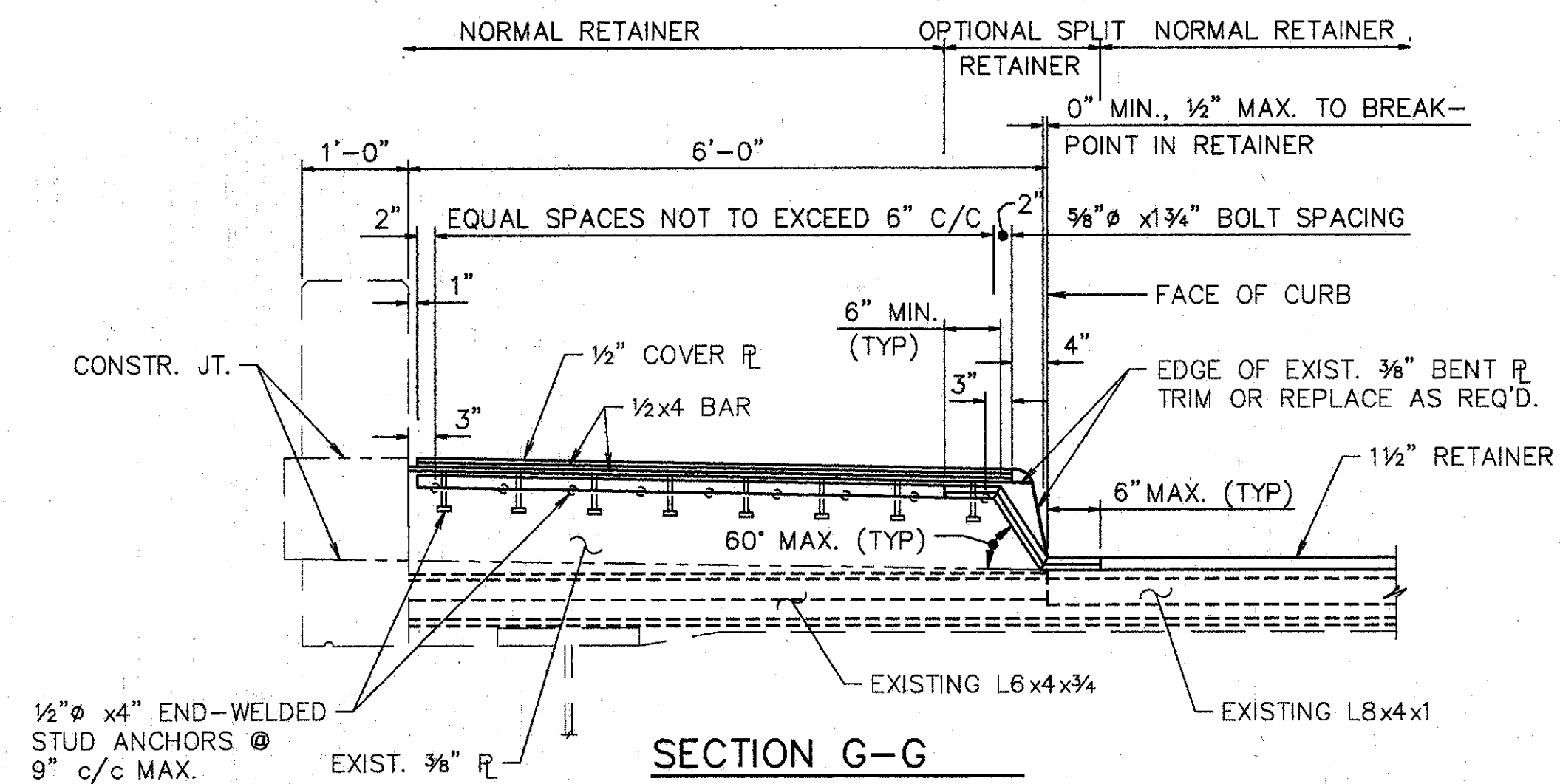
Lot Plot MAY 15, 1991 @ 2:13 PM  
 © STR/16594-03/71-0289/101-1011-01



TEMPERATURE	DIM. 'A'	
	FORWARD	REAR
40° F	2 5/8"	3 3/8"
50° F	2 5/8"	3 1/4"
60° F	2 1/2"	3"
70° F	2 3/8"	2 7/8"
80° F	2 3/8"	2 3/4"
90° F	2 1/4"	2 1/2"

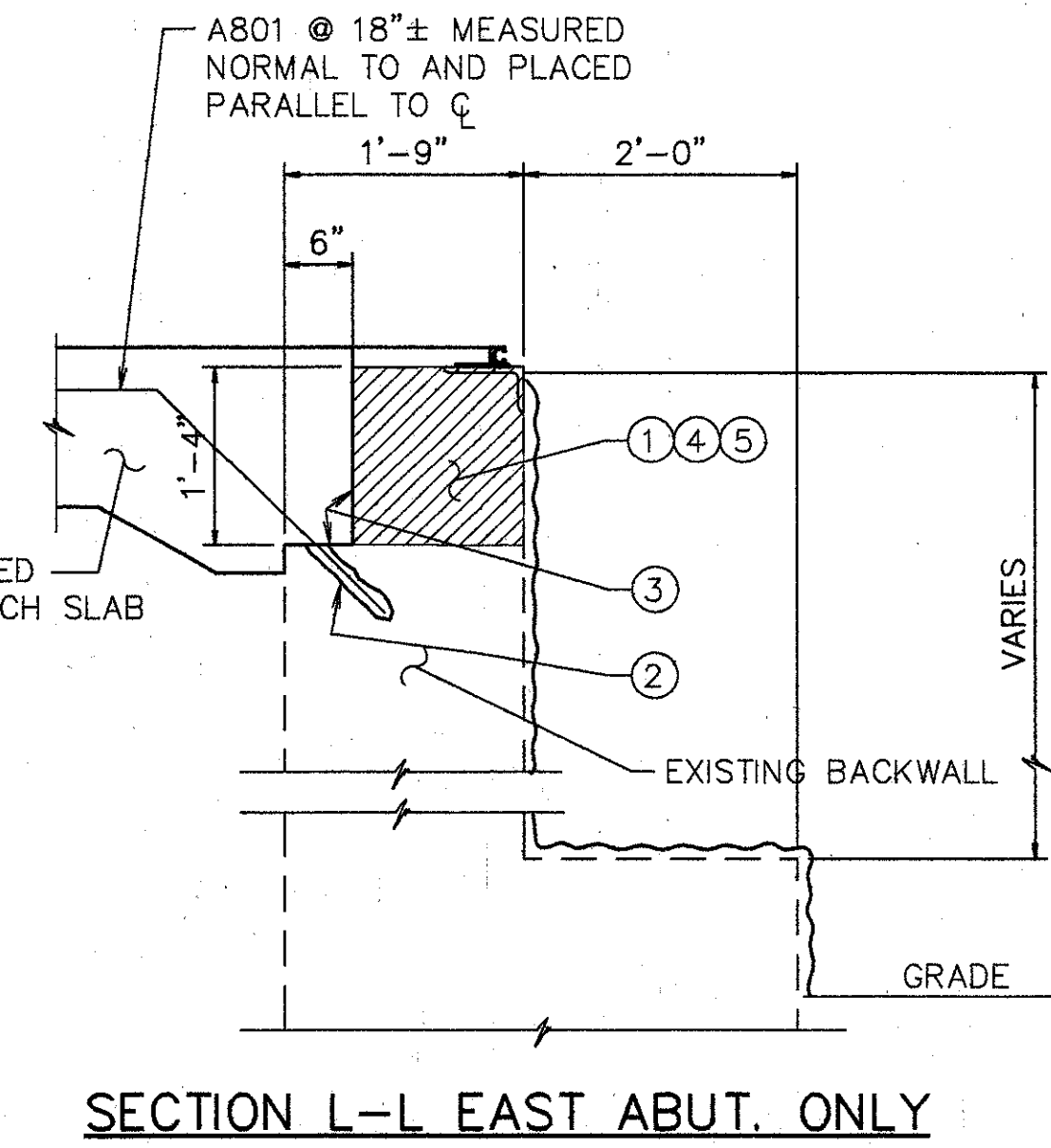
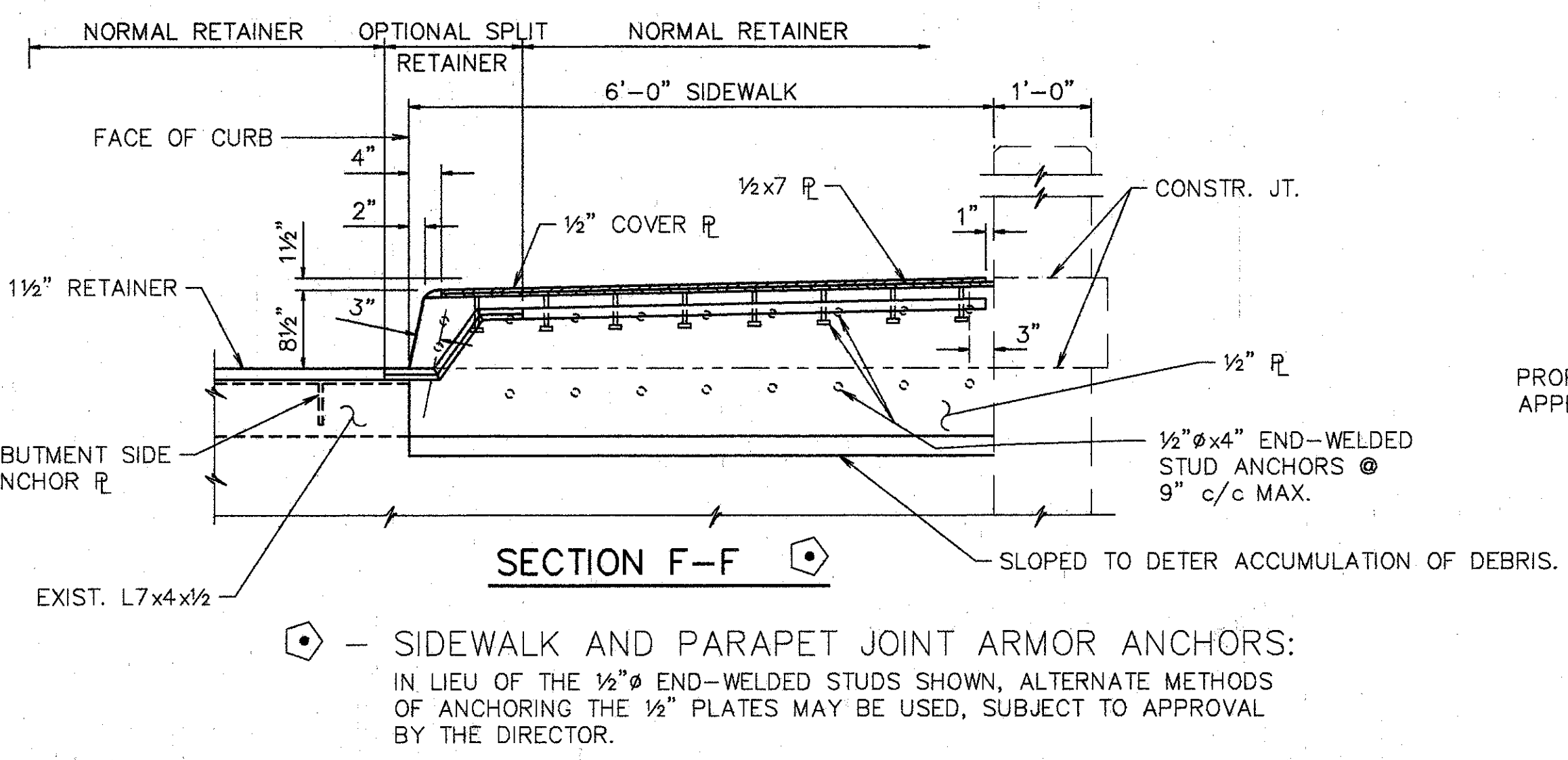
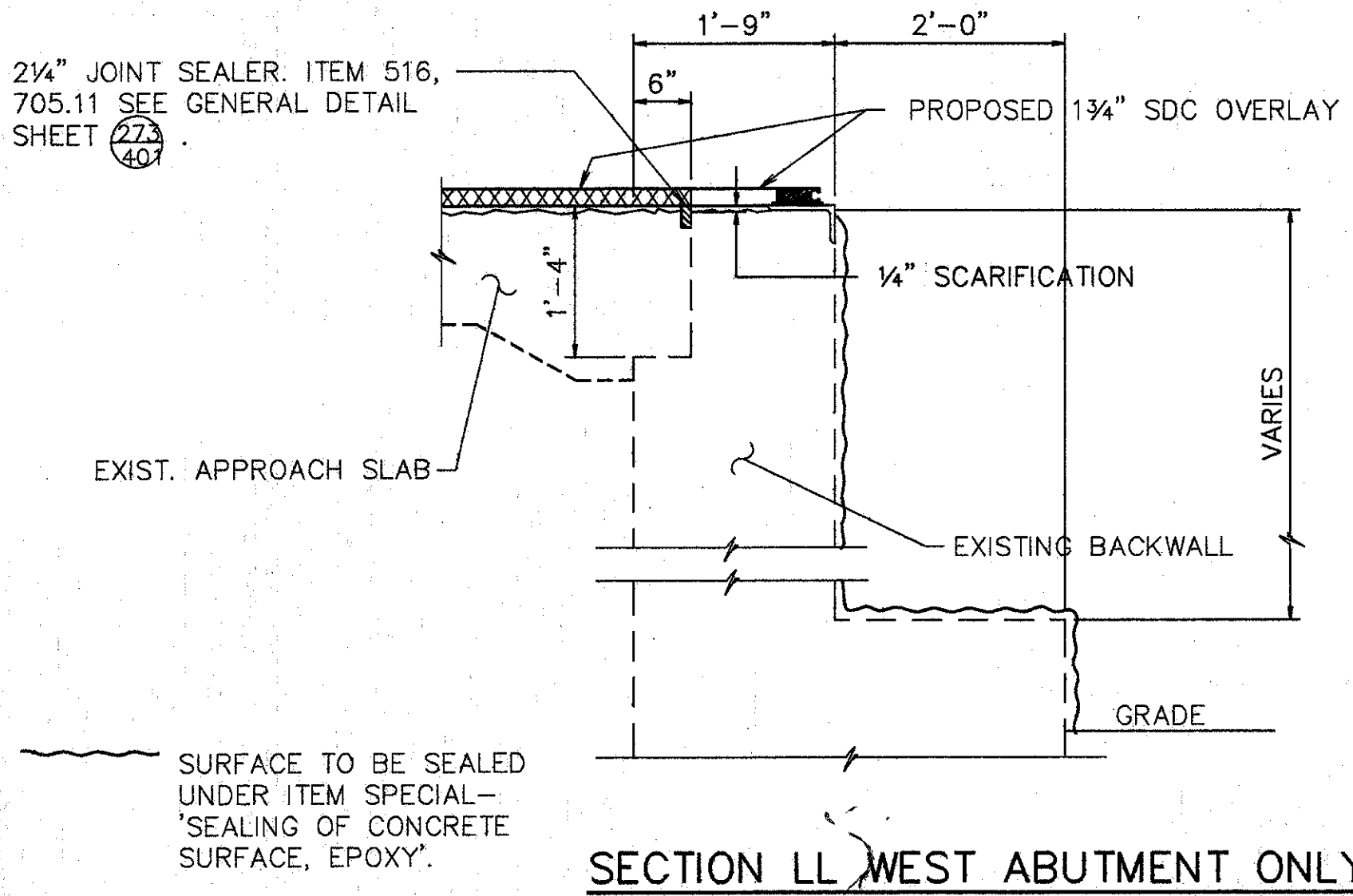


- NOTES:**
- CONTRACTOR TO VERIFY ALL DIMENSIONS PRIOR TO MODIFYING THE EXPANSION JOINT.
  - THE PRICE BID FOR ITEM 516-'STRUCTURAL EXPANSION JOINTS, INCLUDING ELASTOMERIC STRIP SEALS', SHALL INCLUDE ALL LABOR, MATERIALS, EQUIPMENT, AND ANY OTHER INCIDENTAL ITEMS, AS DETAILED. REMOVAL OF CURB OR PARAPET AS SHOWN SHALL BE INCLUDED UNDER ITEM 202-'PORTIONS OF STRUCTURE REMOVED'.
  - FOR DETAILS NOT SHOWN REFER TO DRAWING EXJ-4-87 SHEETS 3 AND 4.
  - STRIP SEAL TO BE INSTALLED IN ONE CONTINUOUS PIECE (NO OPEN JOINTS).
  - PROVIDE TEMPORARY SUPPORT FOR ABUTMENT END DAM DURING CONSTRUCTION. REMOVE TEMPORARY SUPPORT AS SOON AS CONCRETE HAS SET, PREFERABLY WITHIN TWO HOURS AFTER PLACING TO AVOID DAMAGE DUE TO EXPANSION AND CONTRACTION OF SUPERSTRUCTURE.



**NOTES FOR SECTION L-L**

- EXISTING REINFORCING STEEL TO REMAIN ~ REINFORCING STEEL DAMAGED TO BE REPLACED AT CONTRACTORS EXPENSE.
  - 1' MIN. EMBEDMENT (SEE DOWEL HOLE GENERAL NOTE) ITEM 510.
  - TYPE 'A' WATERPROOFING (PAYMENT INCLUDED IN THE PRICE BID FOR APPROACH SLAB).
  - CLASS 'C' CONCRETE, ABUTMENT RECONSTRUCTION.
  - PROVIDE CONTRACTION AND EXPANSION JOINTS TO MATCH THOSE IN EXISTING BACKWALL AND PROVIDE CONSTRUCTION JOINTS AS REQUIRED TO MAINTAIN TRAFFIC. PAYMENT TO BE INCLUDED IN PRICE BID FOR ITEM 511 CLASS C CONCRETE RECONSTRUCTION.
- EXISTING CONCRETE TO BE REMOVED INCLUDE IN ITEM 202 FOR PAYMENT.
- SURFACE TO BE SEALED UNDER ITEM SPECIAL-'SEALING OF CONCRETE SURFACE, EPOXY'.



**WOOLPERT CONSULTANTS**  
 409 E. MONUMENT AVENUE  
 DAYTON, OHIO 45402-1226  
 (513) 461-5660

**MISCELLANEOUS DETAILS**

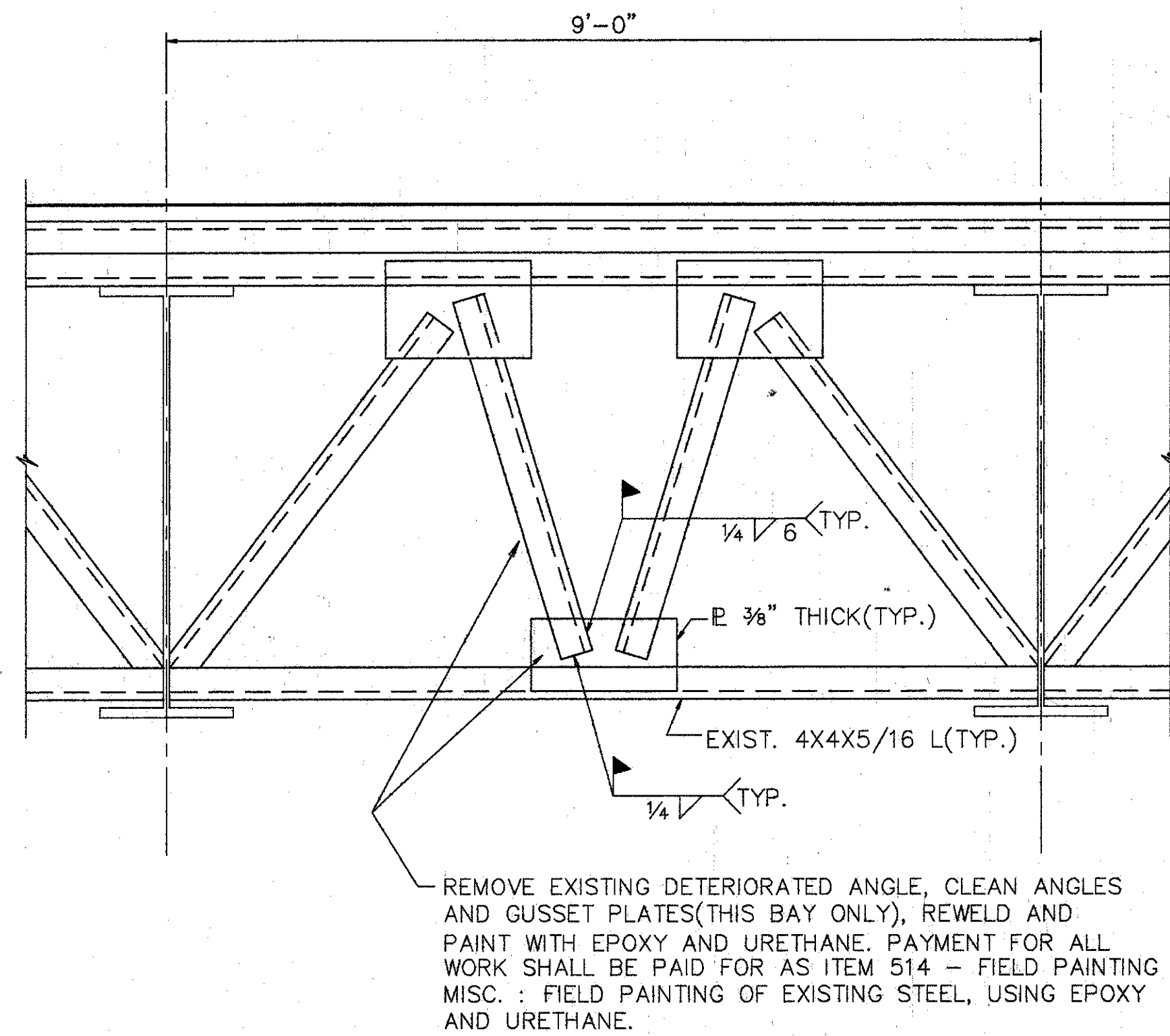
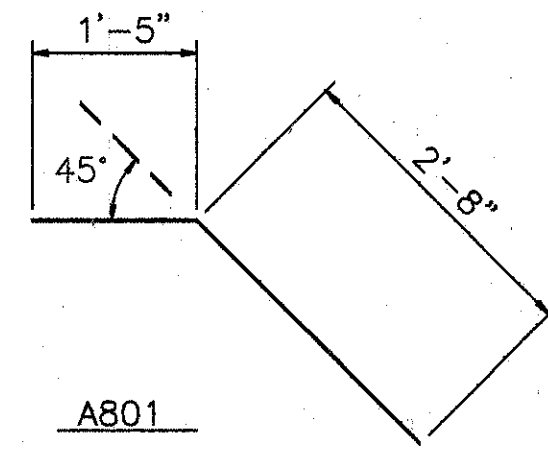
BRIDGE NO. HAM-71-0289  
 OVER I-71  
 HAMILTON COUNTY

DESIGNED	DRAWN	TRACED	CHECKED	REVIEWED	DATE	REVISED
L.A.T.	L.A.P.		M.A.A.	D.E.M1	11/94	

Laid Out MAY 21, 1991 @ 10:33 AM  
 C:\STN\10596-CV\0289S12.Lot Revision By: D.E.E. APR. 8, 1994 @ 2:05 PM



REINFORCING STEEL LIST				
MARK	SHAPE	NUMBER	LENGTH	WEIGHT
A801	BNT.	114	4'-0"	267
REPLACEMENT STEEL				400
TOTAL				667



REMOVE EXISTING DETERIORATED ANGLE, CLEAN ANGLES AND GUSSET PLATES (THIS BAY ONLY), REWELD AND PAINT WITH EPOXY AND URETHANE. PAYMENT FOR ALL WORK SHALL BE PAID FOR AS ITEM 514 - FIELD PAINTING MISC.: FIELD PAINTING OF EXISTING STEEL, USING EPOXY AND URETHANE.

**REPAIR AND PAINT EXIST. END CROSSFRAME**

SCALE: 3/4"=1'-0"

ITEM	ITEM EXT.	TOTAL	UNITS	DESCRIPTION
201	11000	LUMP SUM	L.S.	CLEARING AND GRUBING
202	11200	LUMP SUM	L.S.	PORTIONS OF STRUCTURE REMOVED
509	15820	667	LBS.	EPOXY COATED REINFORCING STEEL, GRADE 60
510	12201	25	L.F.	DOWEL HOLES AS PER PLAN
511	45700	3	C.Y.	CLASS C CONCRETE, ABUTMENT, RECONSTRUCTION
SPECIAL	51267500	1337	S.Y.	SEALING OF CONCRETE SURFACE *
SPECIAL	51267502	140	S.Y.	SEALING OF CONCRETE SURFACE (EPOXY) *
513	21000	12	EACH	TRIMMING OF BEAM END
514	27704	LUMP SUM	L.S.	FIELD PAINTING, MISC.: FIELD PAINTING OF EXISTING STEEL, EEU X
516	14600	50		
516	10000	54	L.F.	PREFORMED ELASTOMERIC COMPRESSION JOINT SEAL (705.11)
516	11210	101	L.F.	STRUCTURAL EXP. JT., INCLUDING ELASTOMERIC STRIP SEAL
516	14600	50	L.F.	SEAL JOINT BETWEEN ABUTMENT AND CONCRETE SLOPE PROTECTION
516	45304	12	EACH	REFURBISH BEARING DEVICE
518	12800	3	EACH	SCUPPER MODIFICATION
SPECIAL	51912600	109	L.F.	CONCRETE REPAIR BY EPOXY INJECTION *
518	63300	LUMP	L.S.	SCUPPER AND DRAINAGE PIPE CLEANOUT
845	40210	1249	S.Y.	LATEX MODIFIED CONCRETE OVERLAY (1 3/4" THICK) ON EXIST
845	11000	85	C.Y.	LATEX MODIFIED CONCRETE OVERLAY (VARIABLE THICKNESS)
845	30000	1	C.Y.	FULL DEPTH REPAIR
601	21100	2	S.Y.	REPAIR CONCRETE SLOPE PROTECTION
601	20000	210	S.Y.	CRUSHED AGGREGATE SLOPE PROTECTION
653	10000	12	C.Y.	TOPSOIL FURNISHED AND PLACED
660	25000	140	S.Y.	STAKED SODDING

\* SEE PROPOSAL NOTE

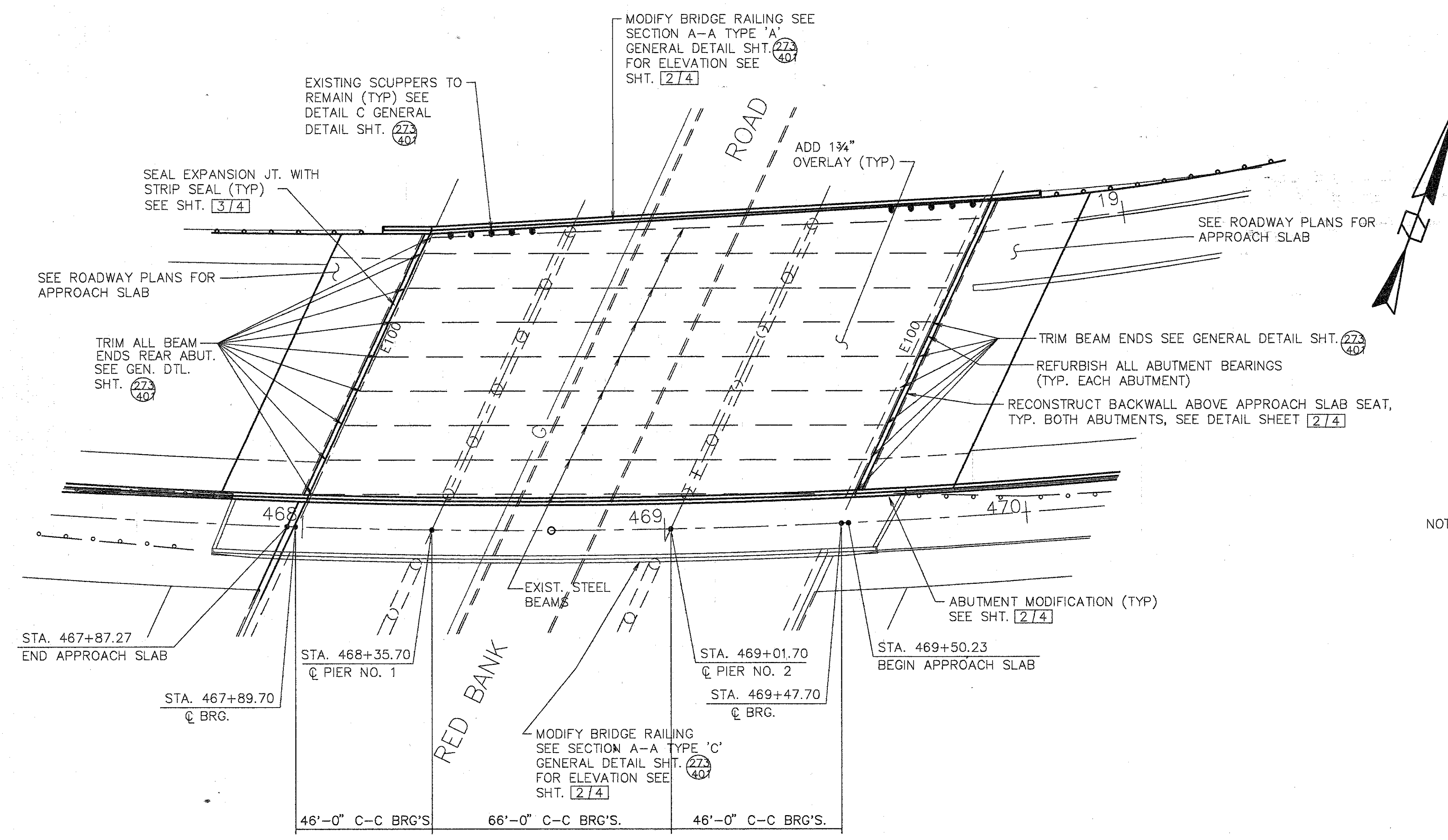
**PROPOSED WORK**

- SCARIFY EXISTING DECK 1/4", AND REMOVE DETERIORATED CONCRETE AS DIRECTED BY THE ENGINEER.
- REFURBISH ALL ABUTMENT BEARINGS.
- PLACE 1 3/4" THICK MODIFIED CONCRETE ON DECK AND APPROACH SLAB.
- SEAL CURBS, PARAPETS, BACKWALL AND PIERS.
- SEAL JOINTS, AS NOTED.
- SEAL EXPANSION JOINT WITH STRIP SEAL.
- TRIM BEAM ENDS.
- AT LEAST ONE LANE OF TRAFFIC SHALL BE MAINTAINED IN EACH DIRECTION AND ON THE BRIDGE AT ALL TIMES. FOR NOTES SEE MAINTENANCE OF TRAFFIC PLANS. MAINTENANCE OF TRAFFIC PLAN REQUIRES CONSTRUCTION PHASING LIMITS AT LANE CENTERLINES. DUE TO THESE LIMITS, OVERLAY MAY REQUIRE SPECIAL ATTENTION.
- FILL CRACKS IN BACK WALL WITH EPOXY.
- RECONSTRUCT EAST ABUTMENT BACKWALL ABOVE APPROACH SLAB SEAT.
- REPAIR SLOPE PROTECTION EAST ABUTMENT.
- OTHER WORK AS DESCRIBED IN THESE PLANS.

CALC. BY: L.A.T.M. DATE: 05-94 CHK'D. BY: D.E.M. DATE: 04-94	HAM-71-1.30/9.00	OHIO F.H.W.A. REGION 5	376 401
---	------------------	---------------------------	------------

<b>WOOLPERT CONSULTANTS</b> 409 E. MONUMENT AVENUE DAYTON, OHIO 45402-1226 (513) 461-5660		3 / 3				
<b>QUANTITIES AND GENERAL NOTES</b>						
BRIDGE NO. HAM-71-0289 OVER 1-71						
HAMILTON COUNTY						
DESIGNED	DRAWN	TRACED	CHECKED	REVIEWED	DATE	REVISED
L.A.T.M.	D.E.E.		M.A.A.	D.E.M.	11/94	

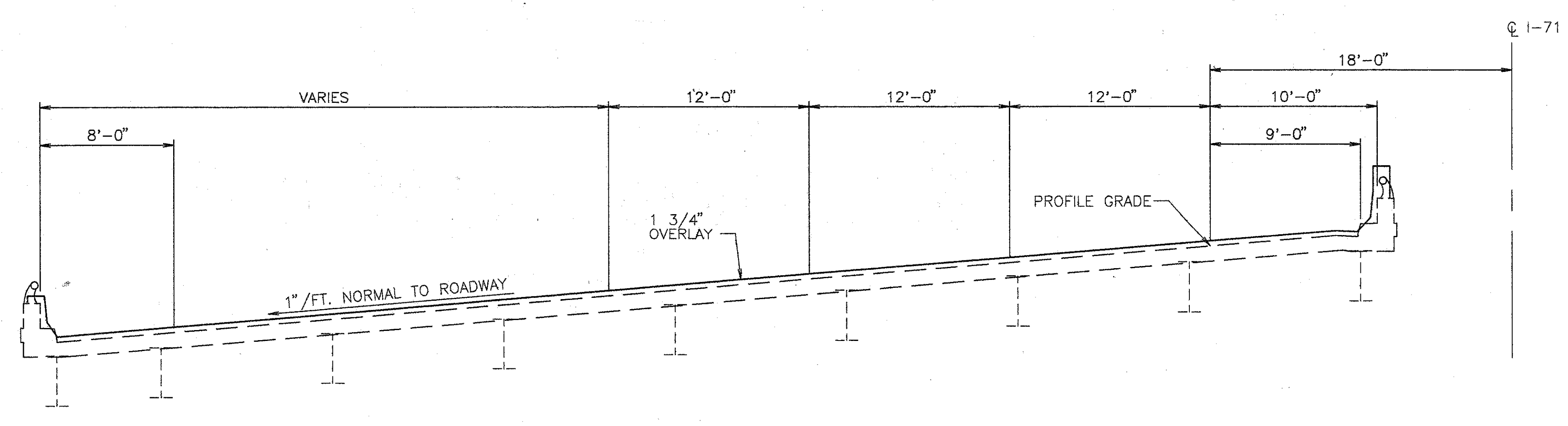
L.A.T.M. MAY 21, 1994 @ 10:33 AM  
 C:\STRV\0594-00\0289BRTD.Lot Revision By: D.E.E. APR. 12, 1994 @ 11:22 AM



PLAN

- NOTES:
1. EXTEND ALL SCUPPERS— FOR DETAIL SEE GENERAL DETAIL SHEET [273] 407
  2. SEAL PARAPETS, BACKWALLS AND PIERS. SEAL ALL OF PIERS EXCEPT TOP OF PIER CAP.
  3. SEE JUNCTION BOX EXTENSION DETAIL GENERAL DETAIL SHT. FOR BARRIER RETROFIT AT JUNCTION BOXES. FOR TYPE AND LOCATION REFER TO LIGHTING DETAILS.

SLIDING OR FIXED R. SIZE	JACK CAPACITY REQ'D. (MIN)
E100	75 TON



TYP. BRIDGE SECTION

EXISTING STRUCTURE

TYPE: CONTINUOUS STEEL BEAM WITH REINFORCED CONCRETE DECK & SUBSTRUCTURE  
 SPANS: 46'-0", 66'-0", 46'-0"  
 ROADWAY: VARIES  
 SKEW: 24°54'00" LT. FORWARD  
 LOADING FREQUENCY: C.F.=2000 (57) ADEQUATE FOR AASHO ALTERNATE LOADING  
 WEARING SURFACE: 1" MONOLITHIC CONCRETE  
 APPROACH SLABS: AS-1-54 (25'-0" LONG)  
 ALIGNMENT: 3'-00' CURVE TO THE LEFT  
 SUPERELEVATION: 1"/FT.


**WOOLPERT CONSULTANTS**  
 409 E. MONUMENT AVENUE  
 DAYTON, OHIO 45402-1226  
 (513) 461-5660

GENERAL PLAN

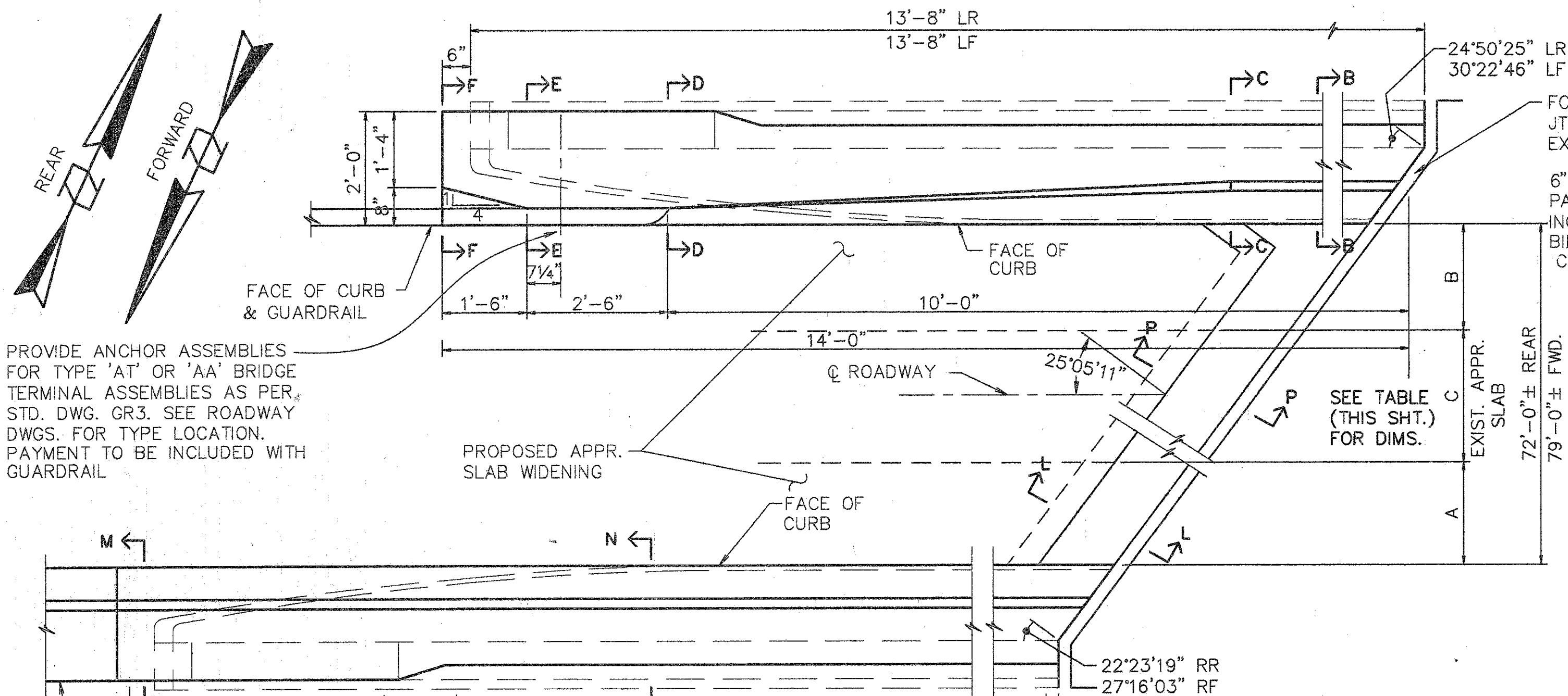
BRIDGE NO. HAM-71-0965 L  
 OVER RED BANK ROAD

HAMILTON COUNTY

DESIGNED	DRAWN	TRACED	CHECKED	REVIEWED	DATE	REVISED
L.A.T.M.	D.E.E.		M.A.A.	D.E.M.	11/11/94	

L.A.T.M. MAY 15, 1991 @ 4:31 PM  
 C:\SPR\6556-CV\ASH\AND\71-0965.Lst (revision By: RACH) OCT. 6, 1992 @ 1:39 PM





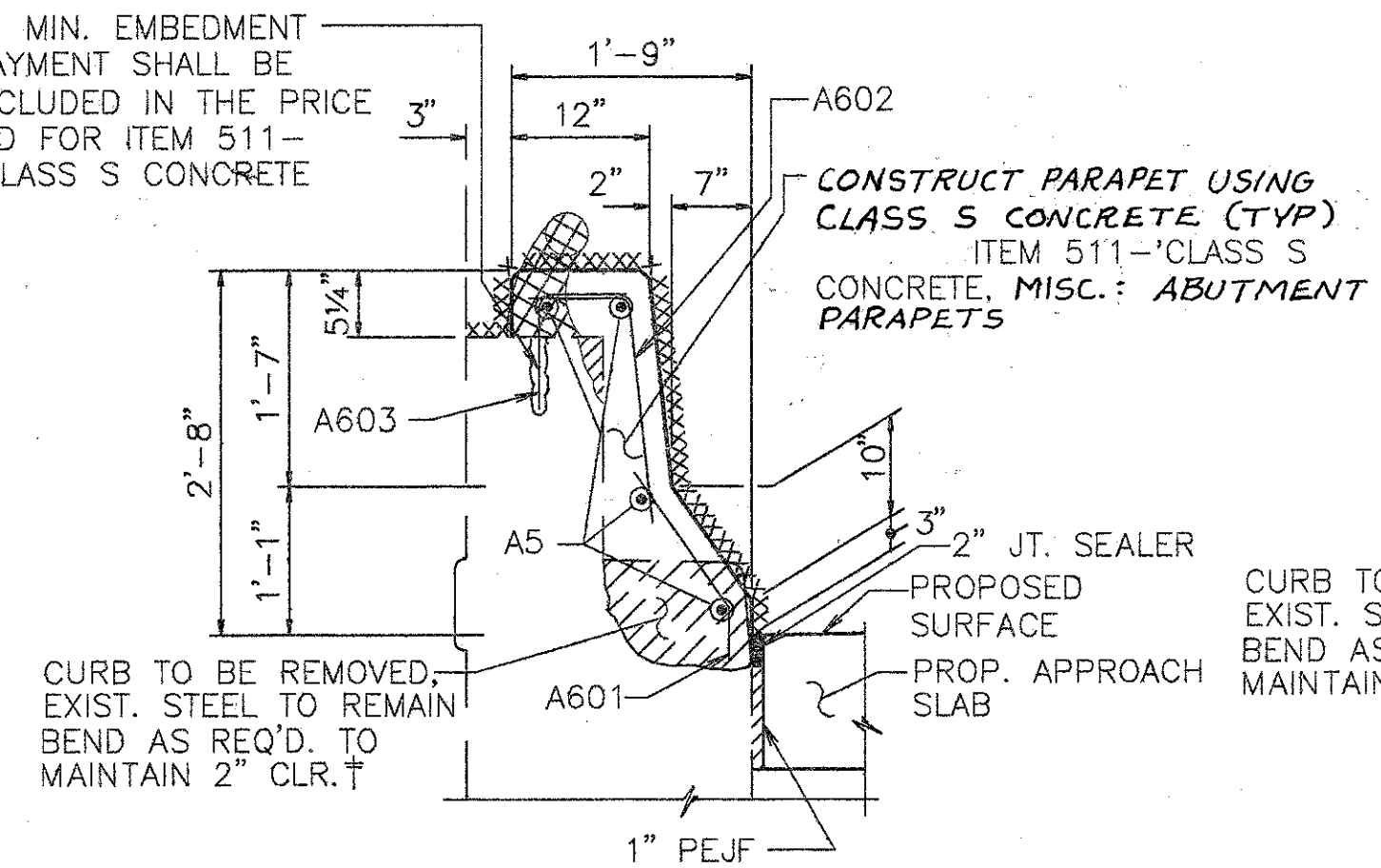
PROVIDE ANCHOR ASSEMBLIES FOR TYPE 'AT' OR 'AA' BRIDGE TERMINAL ASSEMBLIES AS PER STD. DWG. GR3. SEE ROADWAY DWGS. FOR TYPE LOCATION. PAYMENT TO BE INCLUDED WITH GUARDRAIL

FOR DETAIL OF EXPANSION JT. SEE PART PLAN @ EXPANSION JT. SHT. 3/4

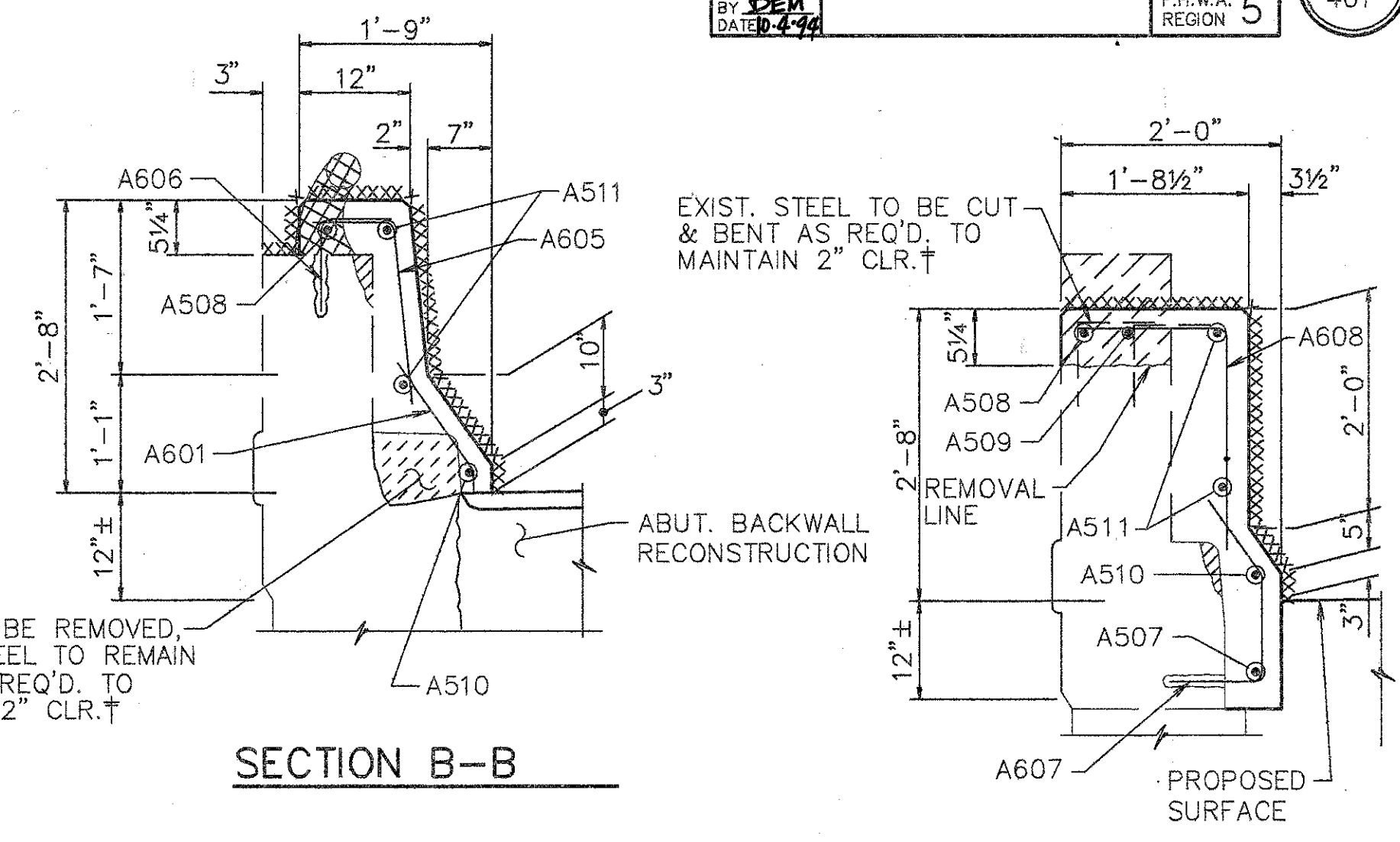
6" MIN. EMBEDMENT PAYMENT SHALL BE INCLUDED IN THE PRICE BID FOR ITEM 511-CLASS S CONCRETE

LOCATION	DIMENSIONS		
	A	B	C
FORWARD	6'-9"±	9'-9"±	62'-6"
REAR	8'-6"±	7'-6"±	56'-0"

PLAN - ABUTMENT MODIFICATION  
 (REAR SHOWN, FWD. OPPOSITE HAND)



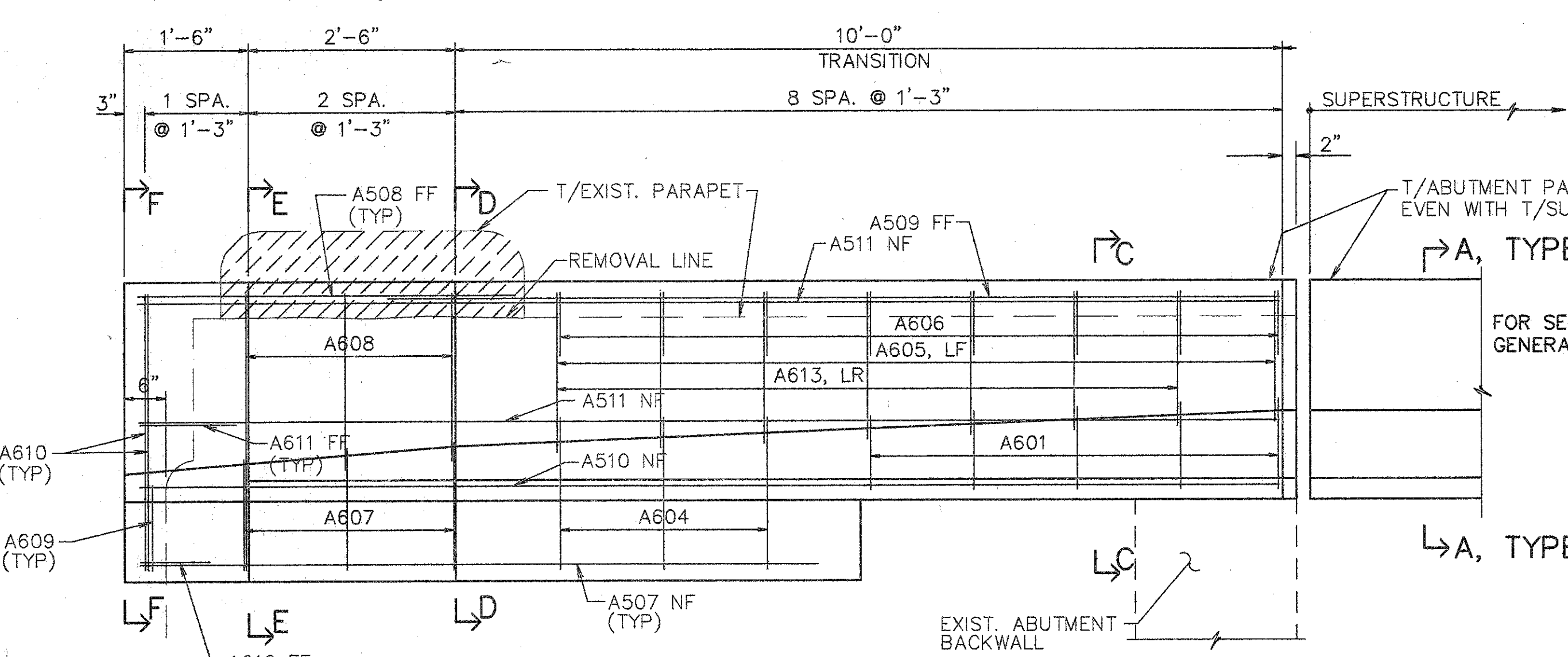
SECTION C-C



SECTION B-B

SECTION D-D

† BARS SHALL REMAIN. CONTRACTOR SHALL EXERCISE CAUTION TO ENSURE THAT THESE BARS ARE NOT DAMAGED DURING THE CONC. REMOVAL OPERATION. ANY BARS DAMAGED AS A RESULT OF THE CONTRACTOR'S OPERATION SHALL BE REPLACED OR REPAIRED BY THE CONTRACTOR AT HIS EXPENSE. METHOD OF REPAIR OR REPLACEMENT WILL BE AT THE DISCRETION OF THE DIRECTOR.

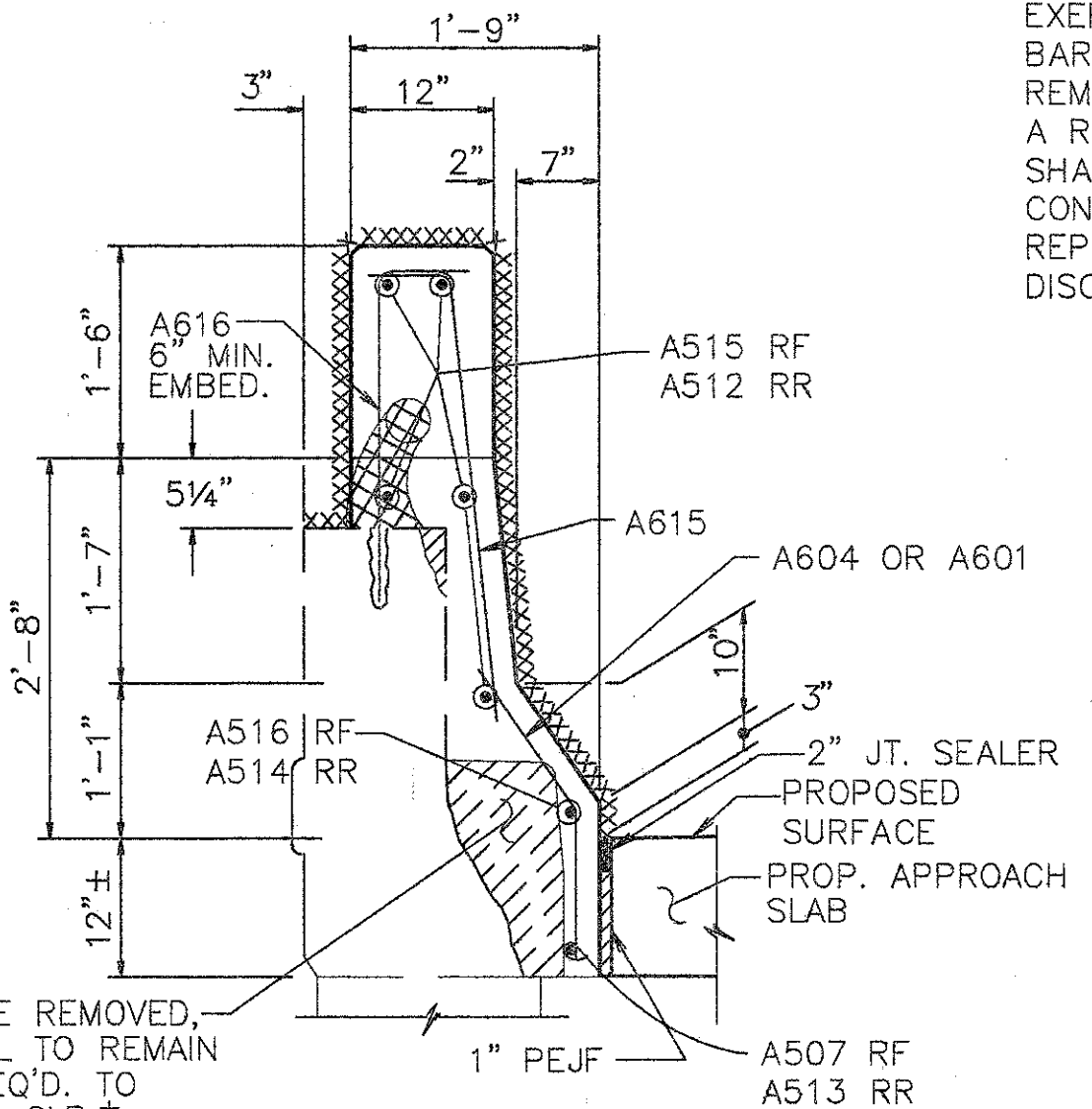


ELEVATION - LEFT WALL

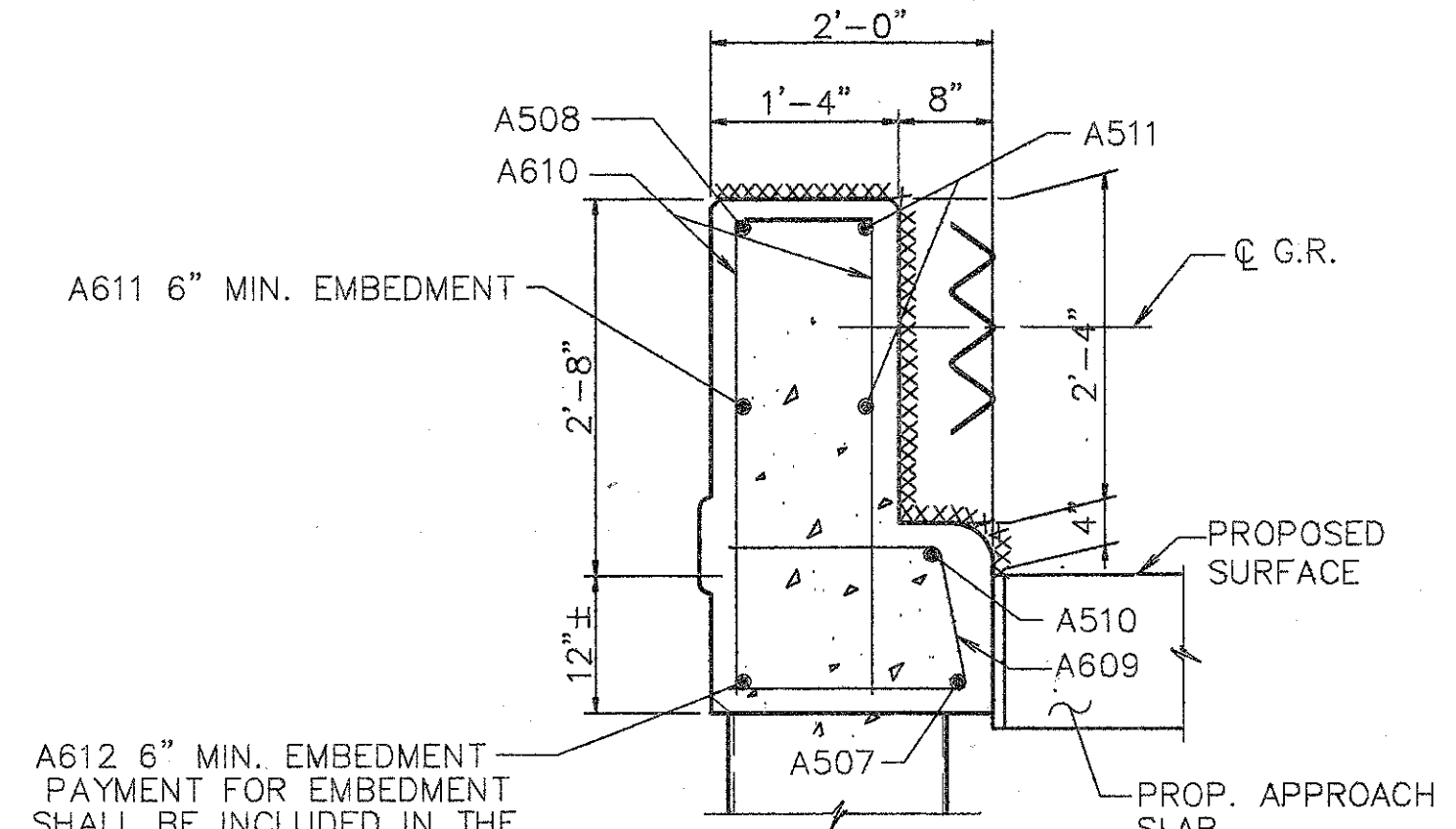
T/ABUTMENT PARAPET SHALL BE MADE EVEN WITH T/SUPERSTRUCTURE PARAPET  
 → A, TYPE A LEFT, TYPE C RIGHT

FOR SECTION A-A, SEE GENERAL DETAIL SHT. 2/3

→ A, TYPE A LEFT, TYPE C RIGHT



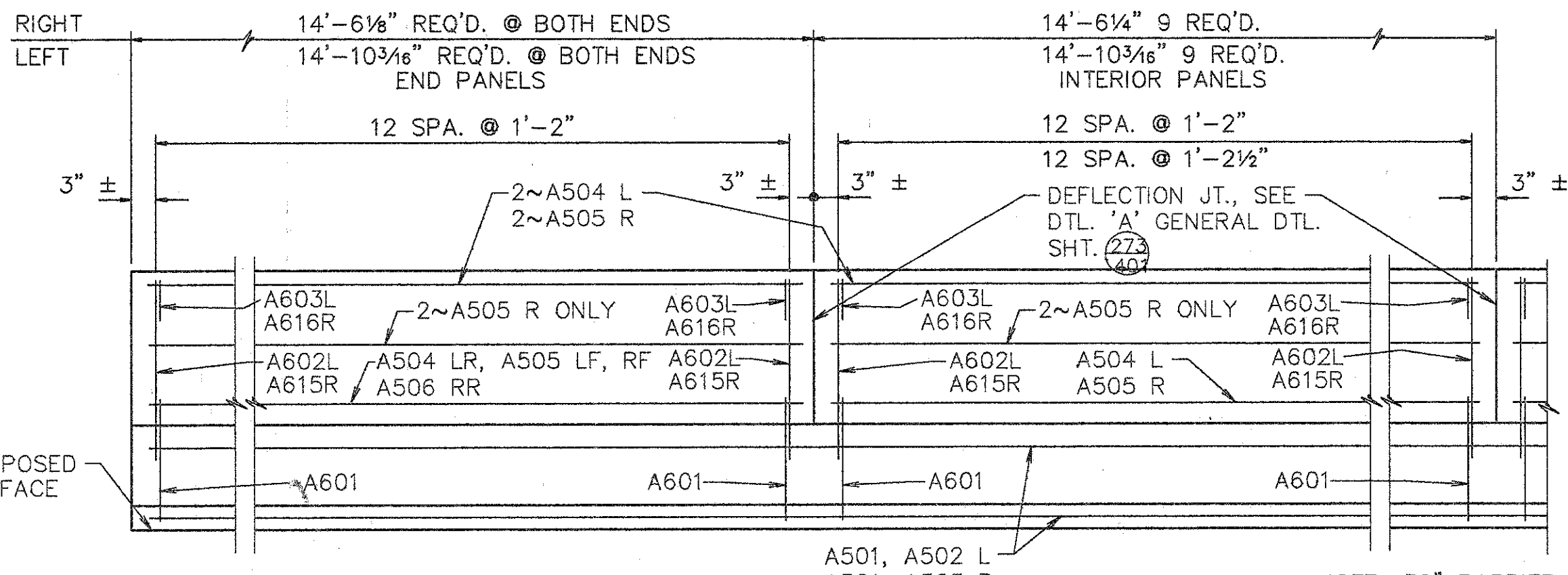
SECTION N-N



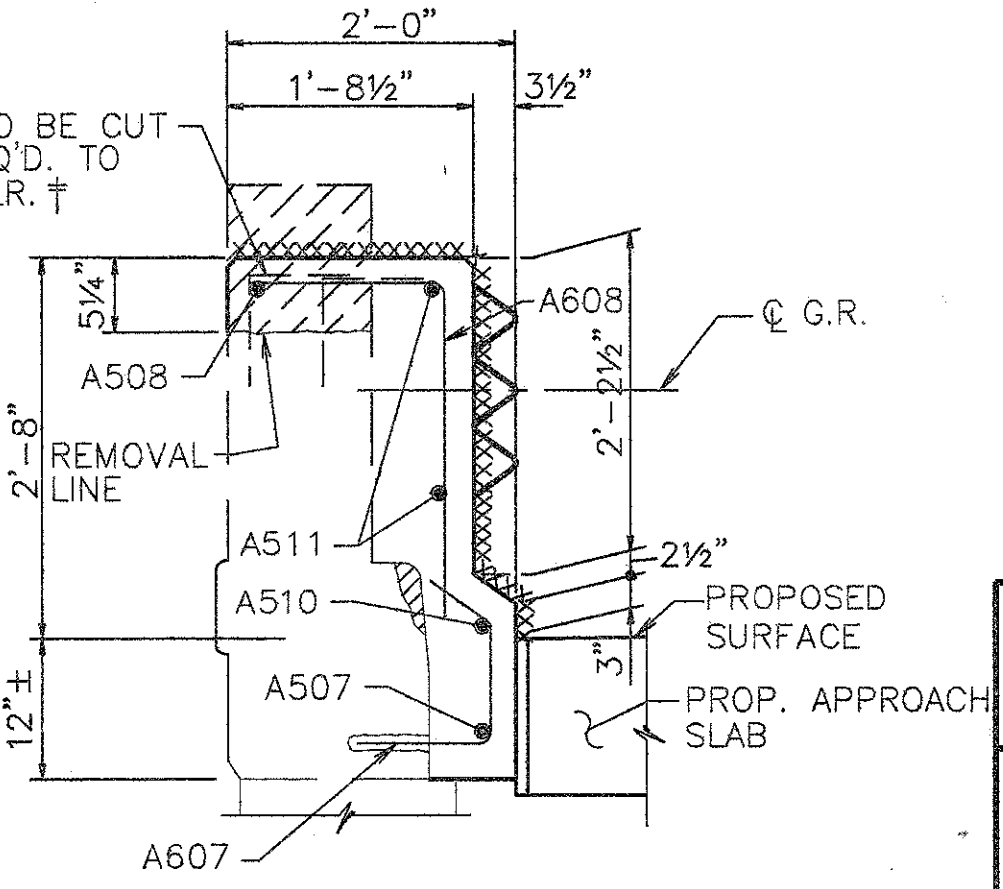
SECTION F-F

- EXIST. CURB & PARAPET TO BE REMOVED UNDER ITEM 202-'PORTIONS OF STRUCTURES REMOVED'.
- EXIST. RAILING & POSTS TO BE REMOVED & STACKED NEATLY ALONG THE RIGHT-OF-WAY FOR DISPOSAL BY THE CONTRACTOR. ALL WORK SHALL BE INCLUDED IN THE PRICE BID FOR ITEM 202-'PORTIONS OF STRUCTURE REMOVED'.
- xxxxxx SURFACES TO BE SEALED UNDER ITEM SPECIAL-'SEALING OF CONCRETE SURFACES'.

- NOTES:
- L DENOTES LEFT SIDE
  - R DENOTES RIGHT SIDE
  - RF DENOTES RIGHT FORWARD
  - LF DENOTES LEFT FORWARD
  - RR DENOTES RIGHT REAR
  - LR DENOTES LEFT REAR
  - NF DENOTES NEAR FACE
  - FF DENOTES FAR FACE



ELEVATION SUPERSTRUCTURE PARAPET



SECTION E-E

NOTE: 32" BARRIER ON LEFT  
 50" BARRIER ON RIGHT

**WOOLPERT CONSULTANTS**  
 409 E. MONUMENT AVENUE  
 DAYTON, OHIO 45402-1226  
 (513) 461-5660

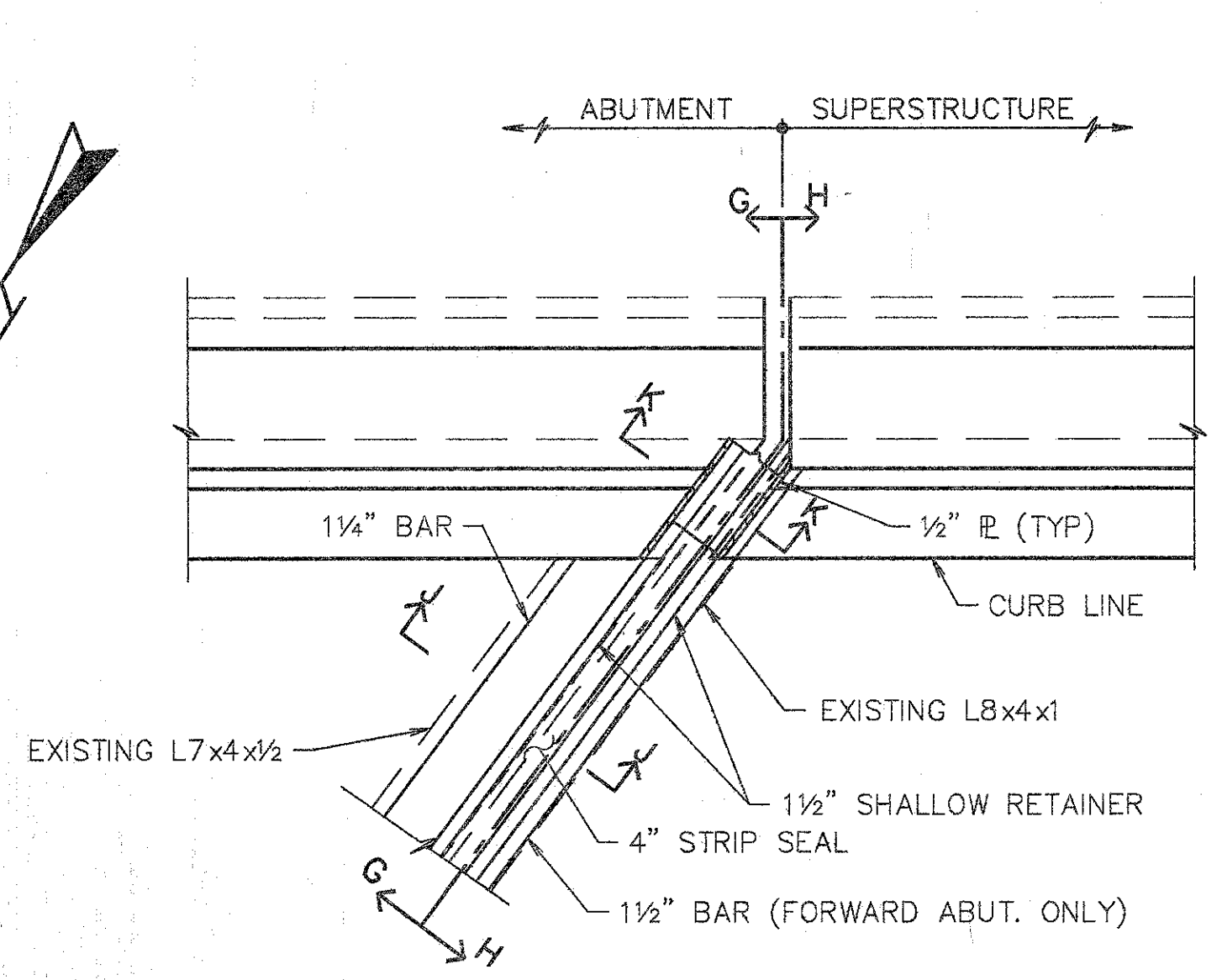
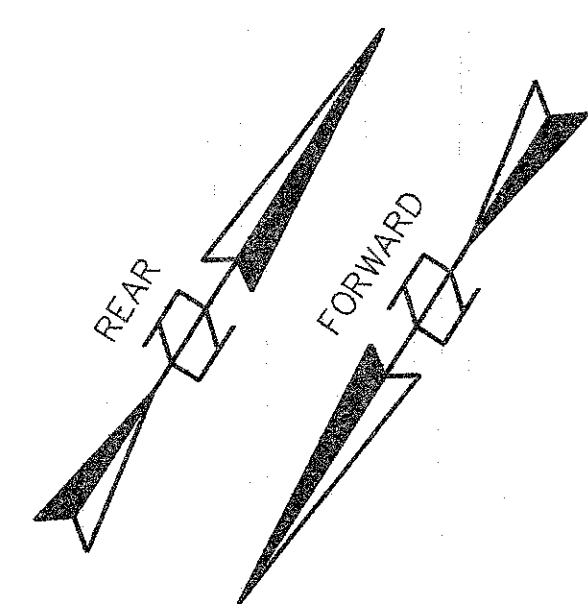
PARAPET SECTIONS AND DETAILS

BRIDGE NO. HAM-71-0965 L  
 OVER RED BANK ROAD

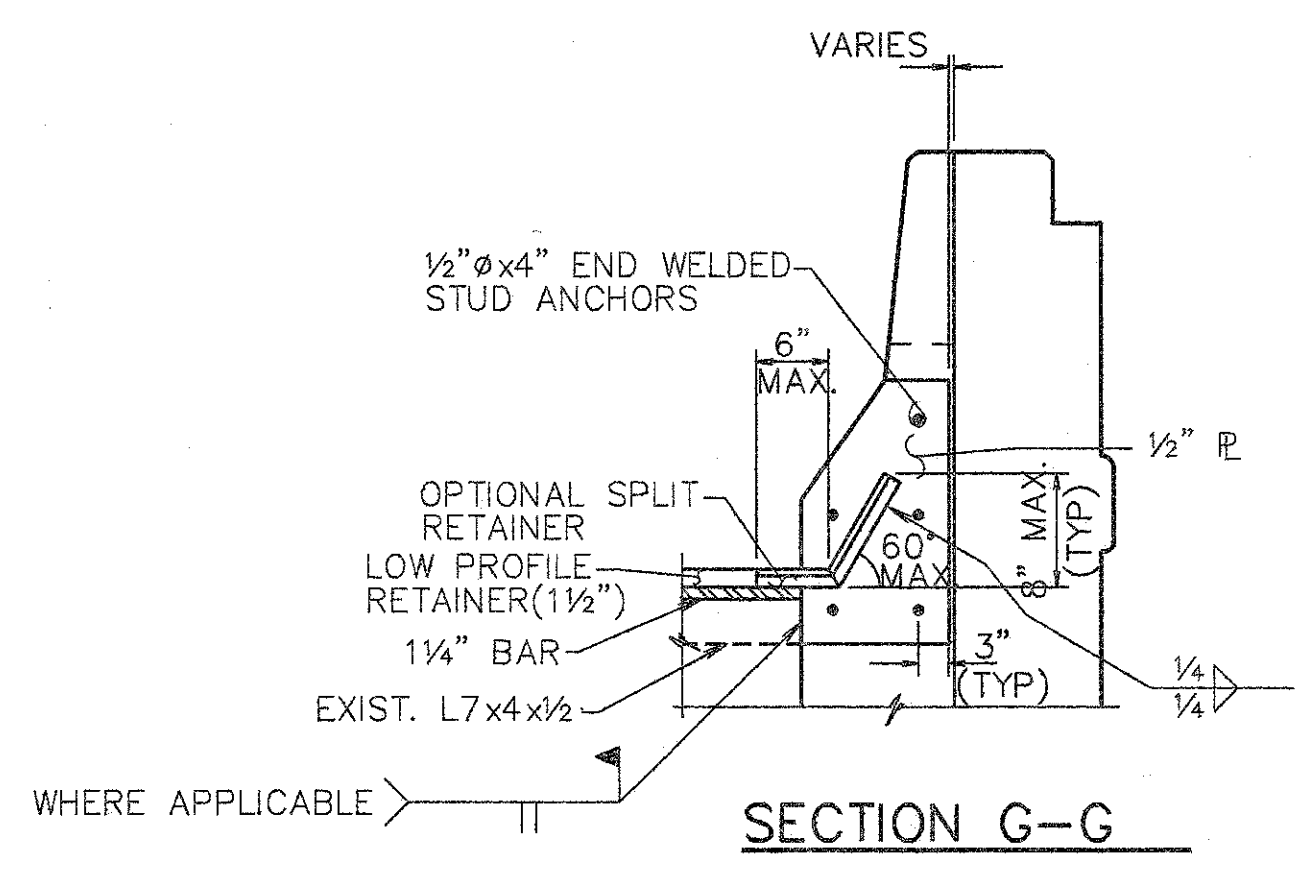
HAMILTON COUNTY

DESIGNED	DRAWN	TRACED	CHECKED	REVIEWED	DATE	REVISED
L.A.T.M.	D.E.E.		M.A.A.	D.E.	11/94	

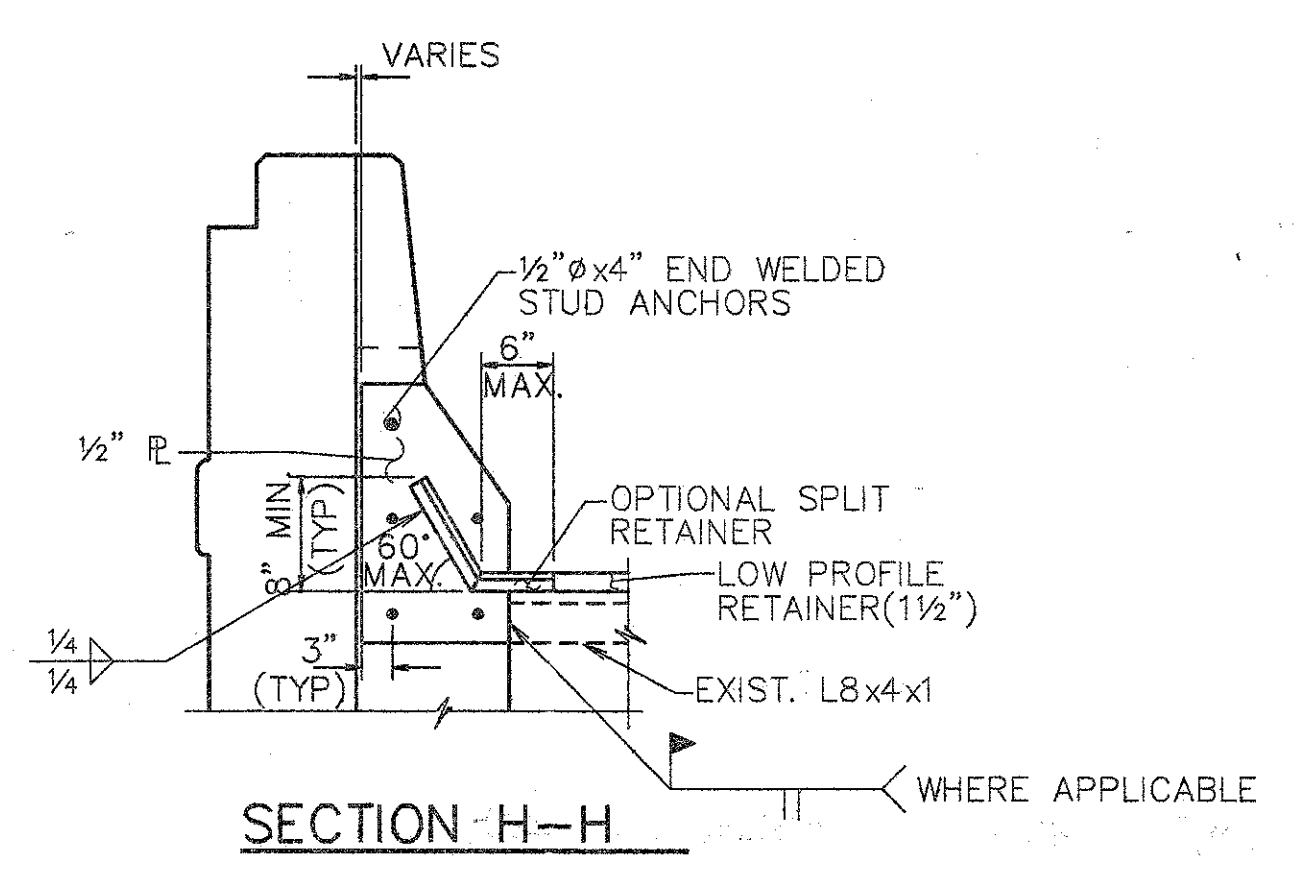
L.A.T.M. MAY 15, 1991 © 5-48 PM  
 D:\STRA\1994-CO\ASL\AND\WELLS\12 Lett Revision Df. D.E.E. MAR. 15, 1994 @ 12:28 PM



PART PLAN @ ABUTMENTS

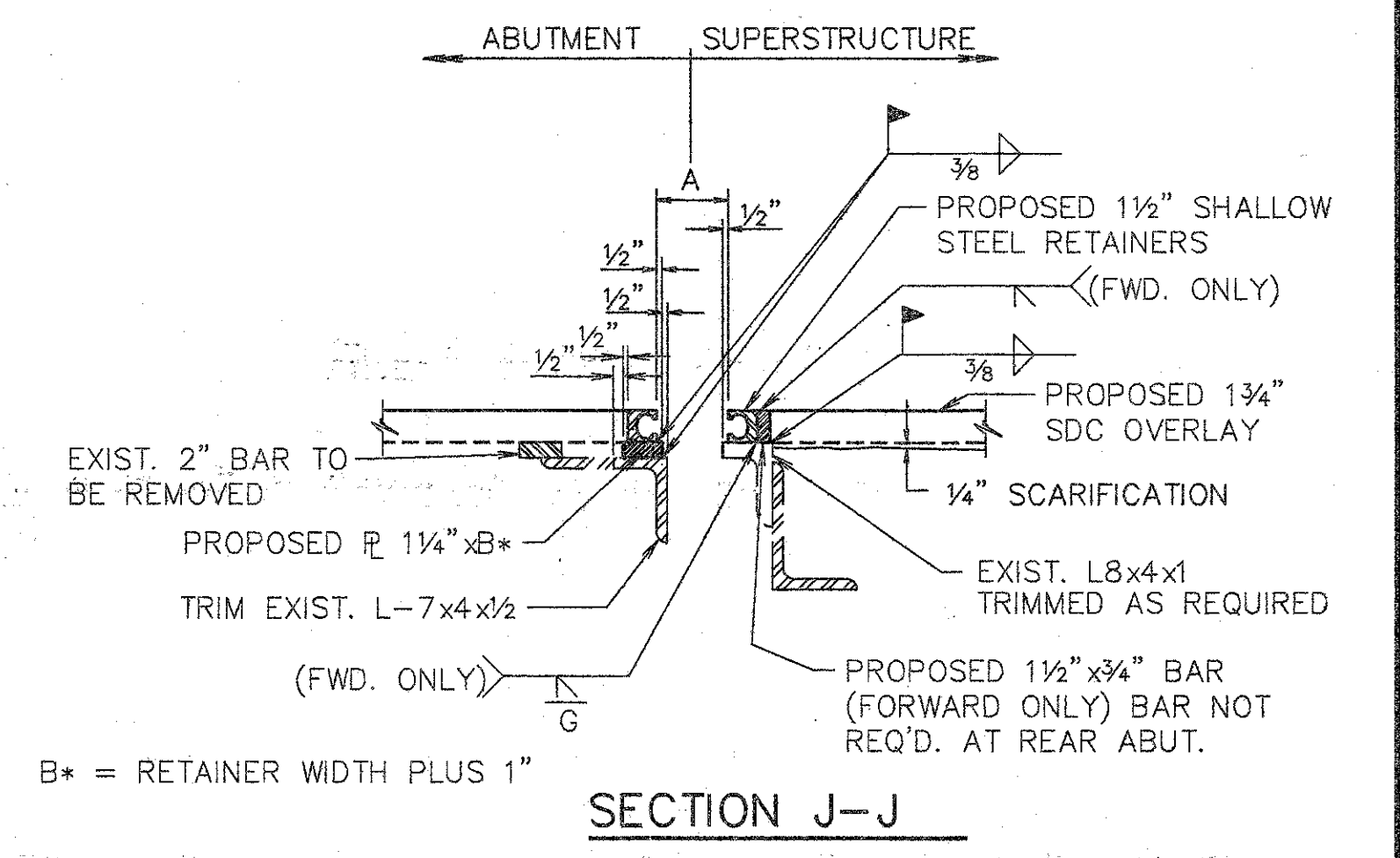


SECTION G-G



SECTION H-H

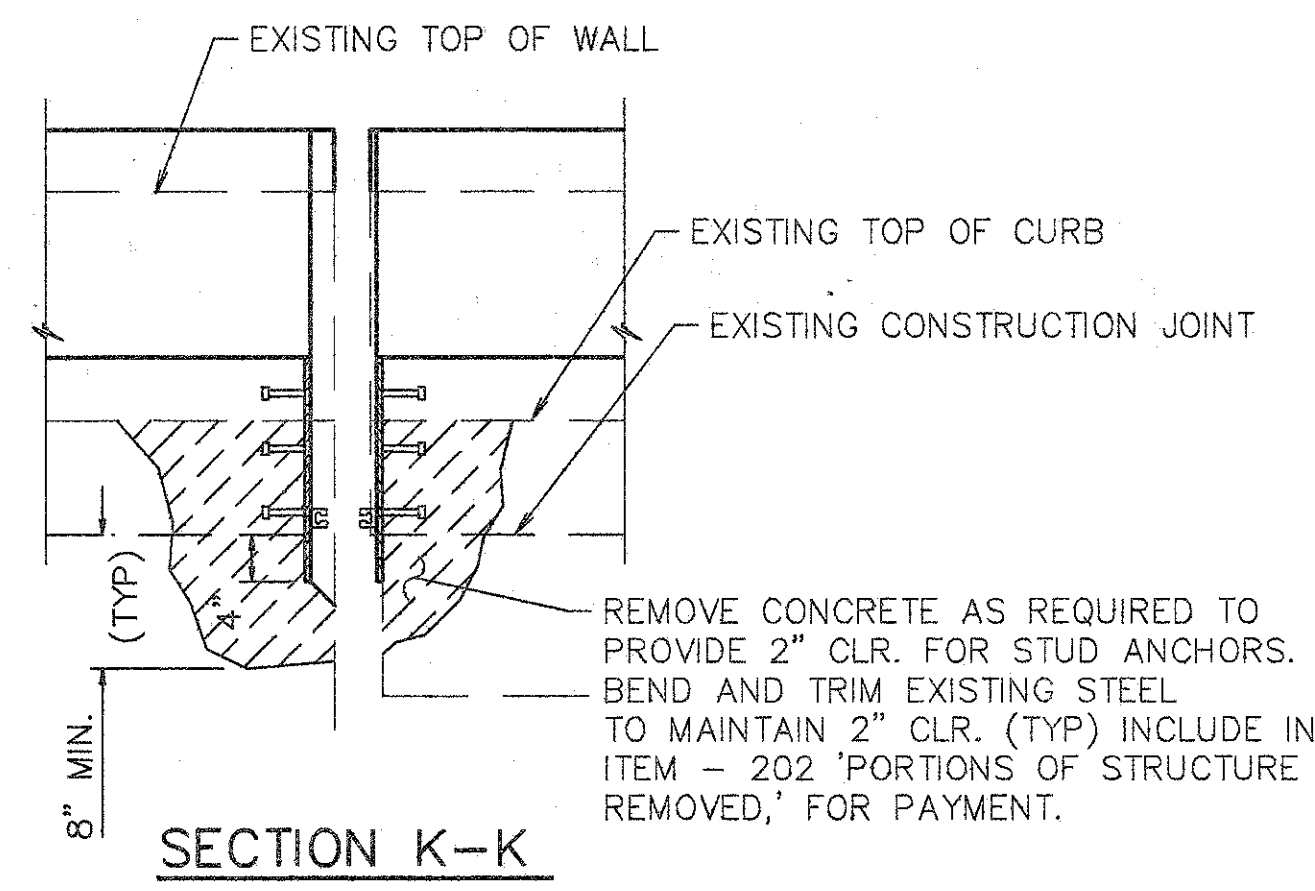
- NOTES:
1. EXPANSION JT. DETAILS TO BE WORKED WITH STD. DWG. EXJ-4-87 SHTS. 1 THRU 5.
  2. WHEN PLATE IS RECESSED INTO ABUTMENT, CONCRETE BELOW PLATE SHALL BE SLOPED FROM BOTTOM OF THE PLATE TO THE END OF THE ABUTMENT TO DETER ACCUMULATION OF DEBIS.



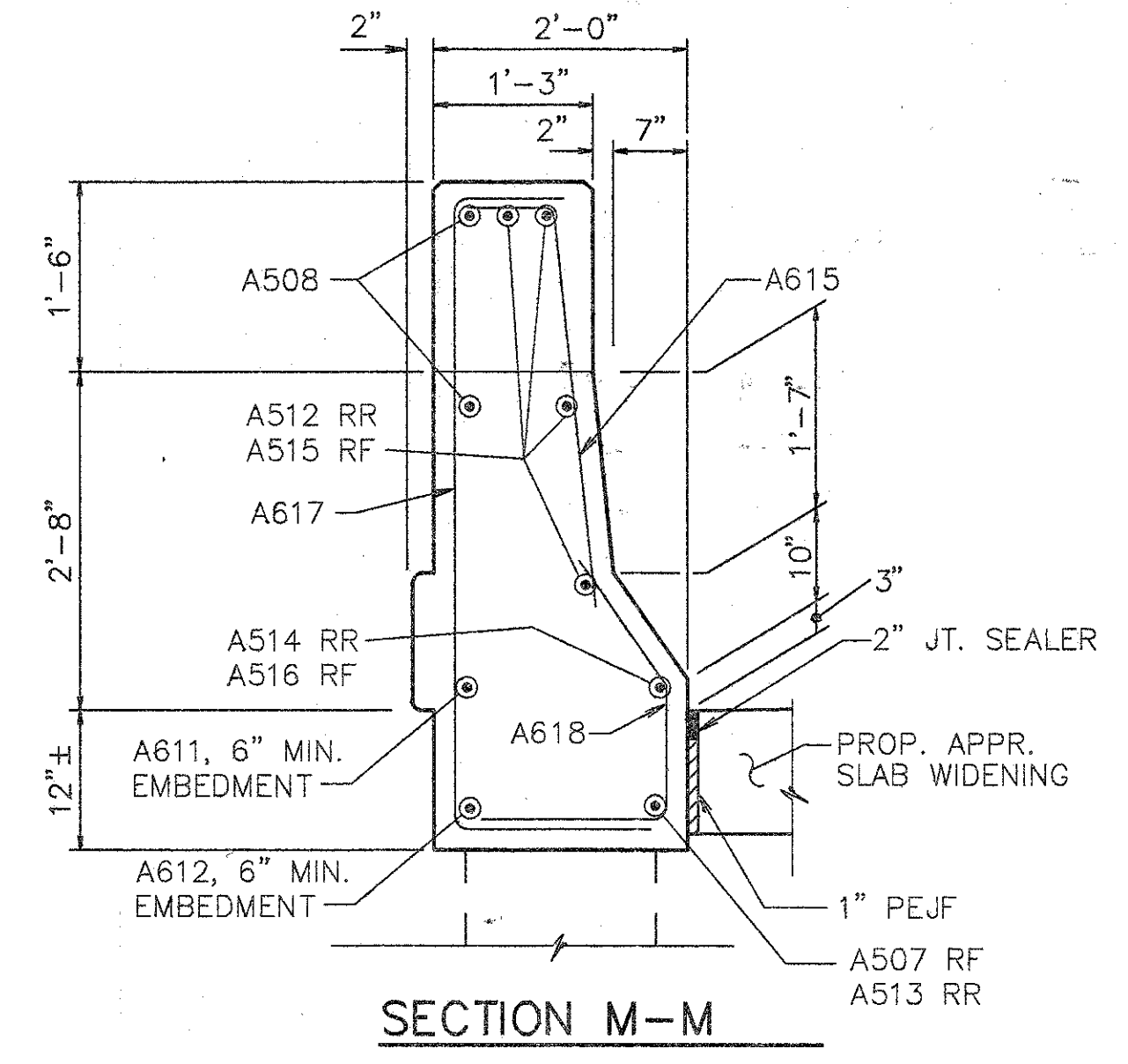
SECTION J-J

- NOTES:
1. CONTRACTOR TO VERIFY ALL DIMENSIONS PRIOR TO MODIFYING EXPANSION JOINT.
  2. THE PRICE BID FOR ITEM 516--'STRUCTURAL EXPANSION JOINTS, INCLUDING ELASTOMERIC STRIP SEALS, SHALL INCLUDE ALL LABOR, MATERIALS, EQUIPMENT, AND ANY OTHER INCIDENTAL ITEMS, AS DETAILED. (REMOVAL OF CURB OR PARAPET AS SHOWN SHALL BE INCLUDED UNDER ITEM 202-- 'PORTIONS OF STRUCTURE REMOVED').
  3. FOR DETAILS NOT SHOWN REFER TO DWG. EXJ-4-87 SHTS. 3 AND 4.
  4. STRIP SEAL TO BE INSTALLED IN ONE CONTINUOUS PIECE (NO OPEN JOINTS).
  5. PROVIDE TEMPORARY SUPPORT FOR ABUTMENT END DAM DURING CONSTRUCTION. REMOVE TEMPORARY SUPPORT AS SOON AS CONCRETE HAS SET, PREFERABLY WITHIN TWO HOURS AFTER PLACING TO AVOID DAMAGE DUE TO EXPANSION AND CONTRACTION OF SUPERSTRUCTURE.

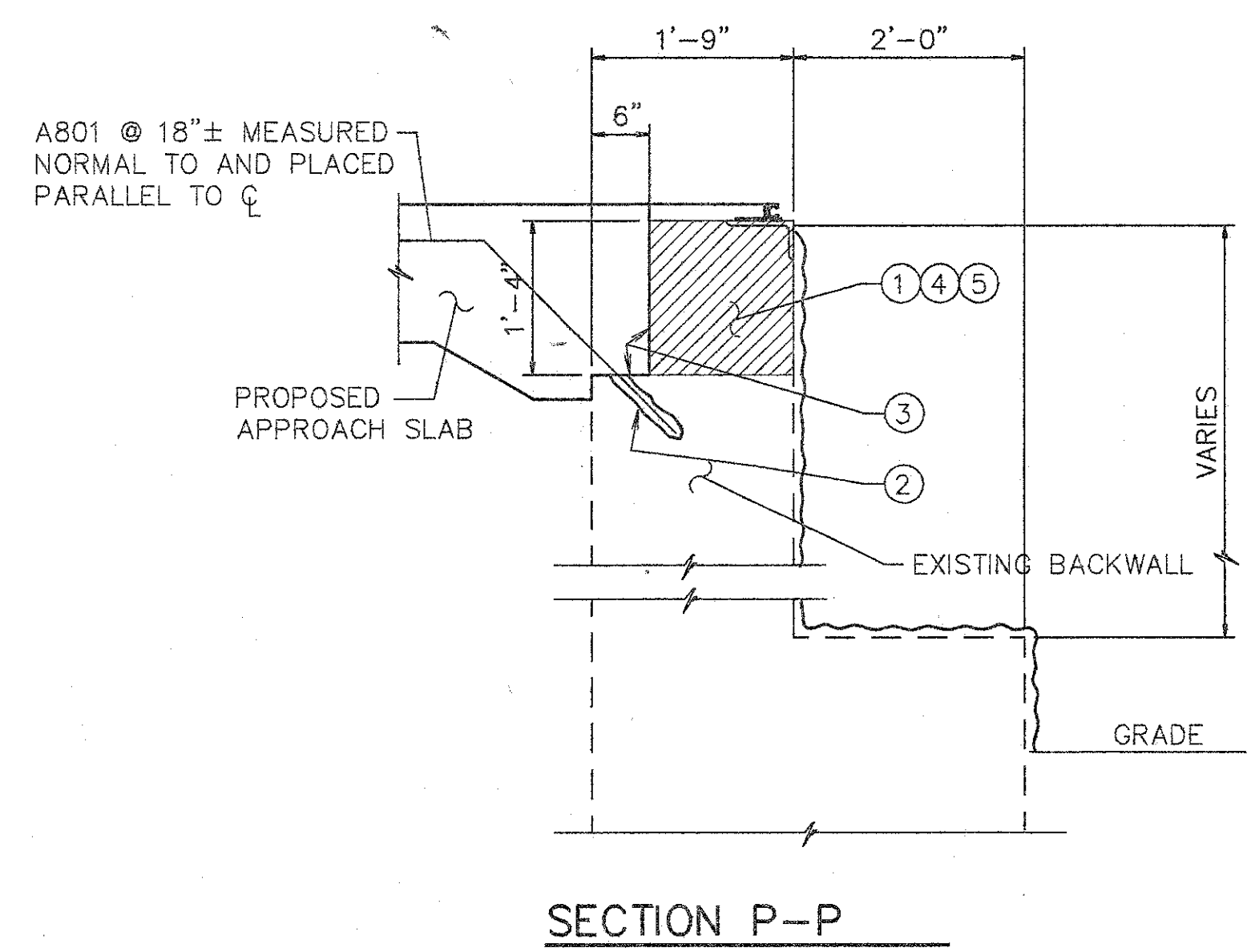
TEMPERATURE	DIM. 'A'	
	REAR	FORWARD
40° F	3 1/2"	3 1/8"
50° F	3 3/8"	3 1/8"
60° F	3 1/4"	3 1/8"
70° F	3 1/4"	3"
80° F	3 1/8"	3"
90° F	3"	3"



SECTION K-K



SECTION M-M

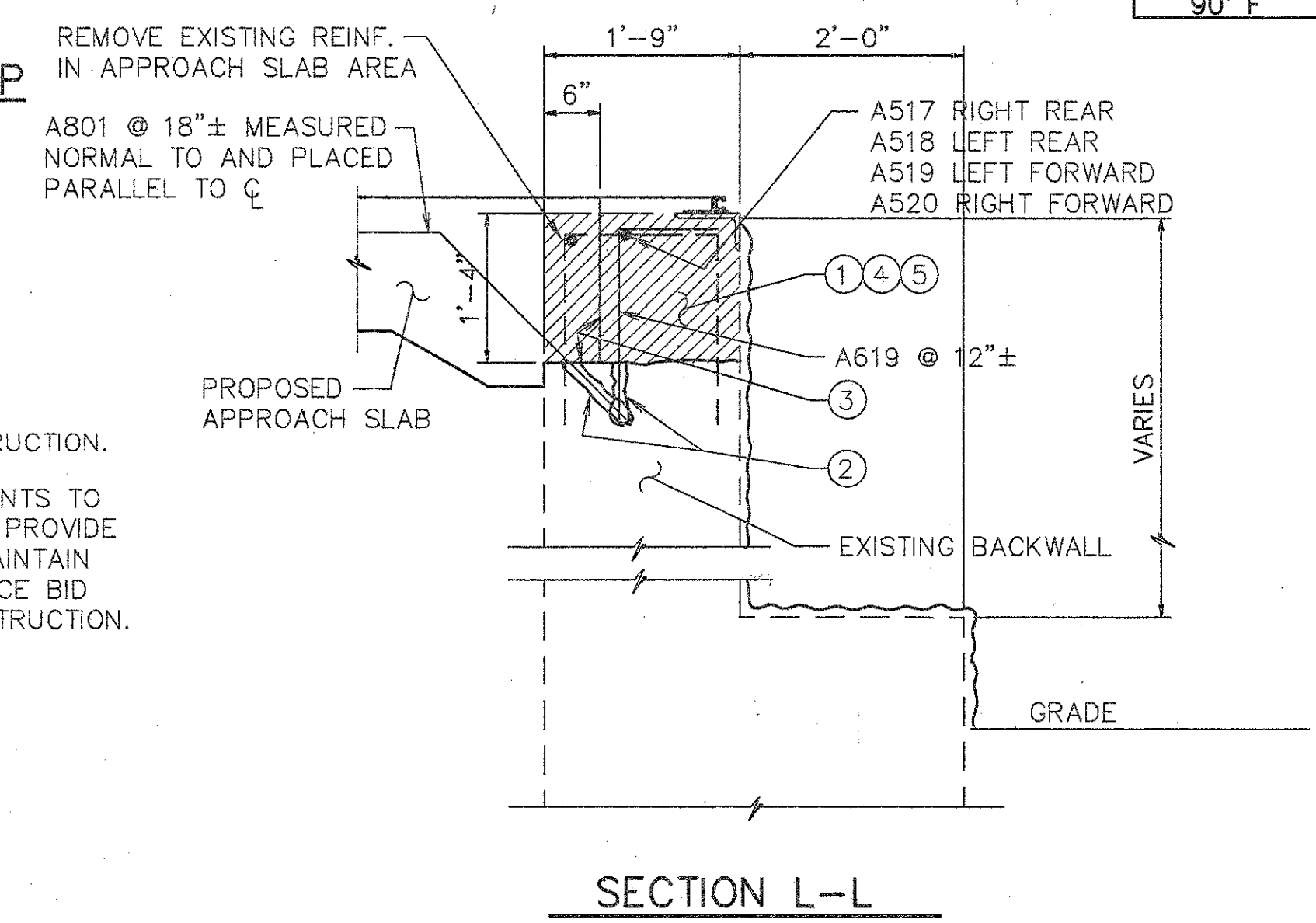


SECTION P-P

NOTES FOR SECTION L-L & P-P

1. EXISTING REINFORCING STEEL TO REMAIN ~ REINFORCING STEEL DAMAGED TO BE REPLACED AT CONTRACTORS EXPENSE.
2. 1' MIN. EMBEDMENT (SEE DOWEL HOLE GENERAL NOTE) ITEM 510.
3. TYPE 'A' WATERPROOFING (PAYMENT INCLUDED IN THE PRICE BID FOR APPROACH SLAB).
4. CLASS 'C' CONCRETE, ABUTMENT RECONSTRUCTION.
5. PROVIDE CONTRACTION AND EXPANSION JOINTS TO MATCH THOSE IN EXISTING BACKWALL AND PROVIDE CONSTRUCTION JOINTS AS REQUIRED TO MAINTAIN TRAFFIC. PAYMENT TO BE INCLUDED IN PRICE BID FOR ITEM 511 CLASS C CONCRETE RECONSTRUCTION.

EXISTING CONCRETE TO BE REMOVED INCLUDE IN ITEM 202 FOR PAYMENT.  
 SURFACE TO BE SEALED UNDER ITEM SPECIAL- 'SEALING OF CONCRETE SURFACE, EPOXY'.



SECTION L-L

SEE NOTES ON SHT. [2/4]

**WOOLPERT CONSULTANTS**  
 409 E. MONUMENT AVENUE  
 DAYTON, OHIO 45402-1226  
 (513) 461-5660

MISCELLANEOUS DETAILS

BRIDGE NO. HAM-71-0965 L  
OVER RED BANK ROAD

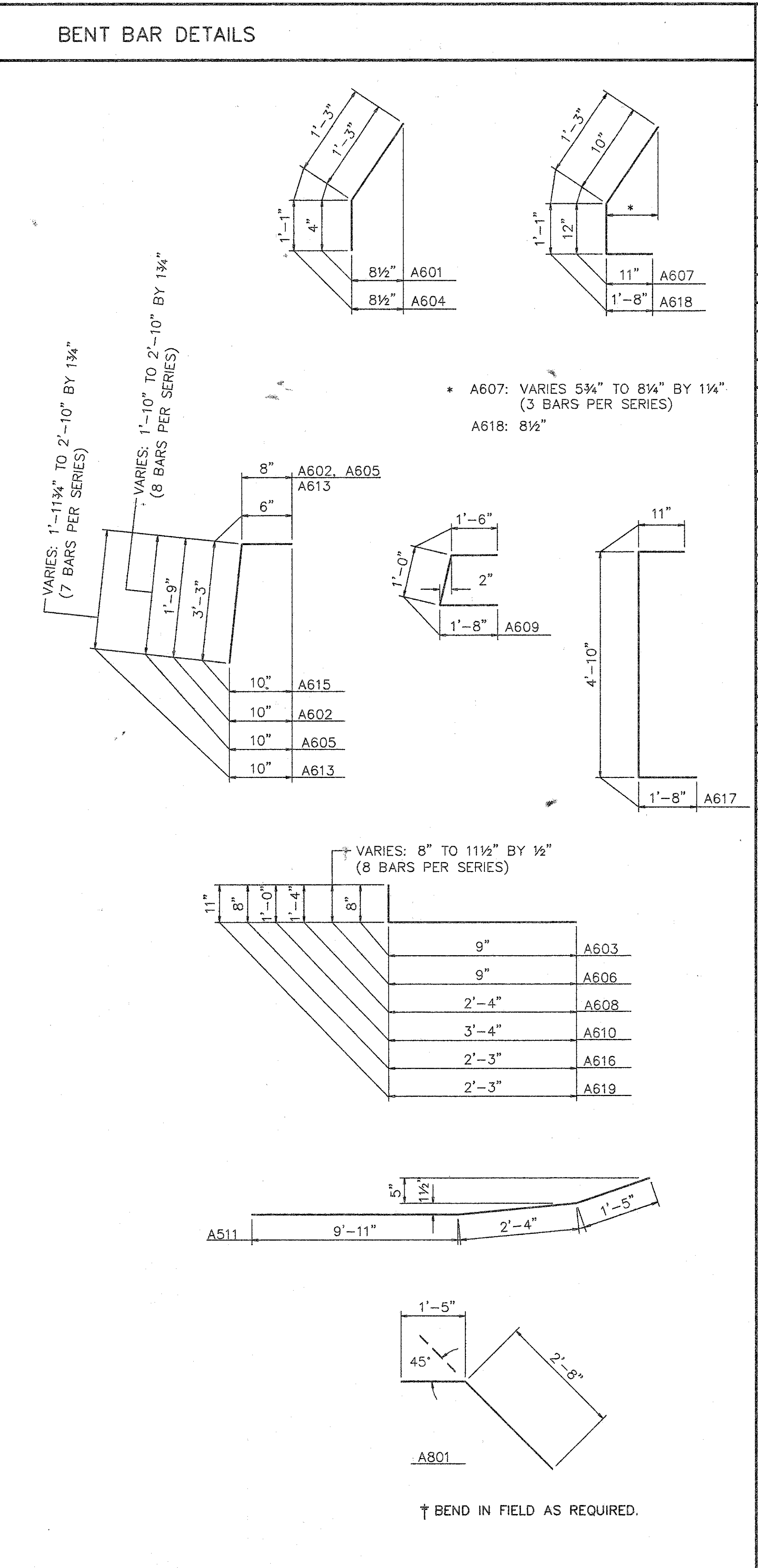
HAMILTON COUNTY

DESIGNED	DRAWN	TRACED	CHECKED	REVIEWED	DATE	REVISED
L.A.T.M.	D.E.E.		M.A.A.	D.E.M1/11/94		



REINFORCING STEEL LIST				
MARK	SHAPE	NUMBER	LENGTH	WEIGHT
A501	STR.	20	30'-0"	626
A502	STR.	2	23'-0"	48
A503	STR.	2	19'-9"	41
A504	STR.	32	14'-4"	478
A505	STR.	55	14'-2"	813
A506	STR.	1	14'-0"	15
A507	STR.	3	8'-0"	25
A508	STR.	6	5'-0"	31
A509	STR.	2	11'-0"	23
A510	BNT.†	2	13'-8"	28
A511	BNT.	4	13'-8"	57
A512	STR.	4	20'-8"	86
A513	STR.	1	14'-2"	15
A514	STR.	1	21'-0"	22
A515	STR.	4	13'-10"	58
A516	STR.	1	13'-6"	14
A517	STR.	1	12'-9"	13
A518	STR.	1	10'-9"	11
A519	STR.	1	11'-1"	12
A520	STR.	1	13'-2"	14
A601	BNT.	314	1'-6"	707
A602	BNT.	142	2'-5"	515
A603	BNT.	143	1'-3"	268
A604	BNT.	12	2'-3"	41
A605	BNT.	8	2'-6" to 3'-6"	36
A606	BNT.	16	1'-3" to 1'-6"	34
A607	BNT.	6	2'-6"	22
A608	BNT.	6	3'-6"	32
A609	BNT.	2	3'-10"	12
A610	BNT.	4	4'-2"	25
A611	STR.	4	1'-2"	7
A612	STR.	4	10"	5
A613	BNT.	7	2'-7¾" to 3'-6"	32
A614	NOT USED			
A615	BNT.	172	3'-7"	926
A616	BNT.	171	2'-9"	706
A617	BNT.	2	7'-1"	21
A618	BNT.	2	3'-9"	11

REINFORCING STEEL LIST				
MARK	SHAPE	NUMBER	LENGTH	WEIGHT
A619	BNT.	40	3'-0"	126
A801	BNT.	101	4'-0"	1079
REPLACEMENT STEEL				300
TOTAL				7335



ITEM	ITEM EXT.	TOTAL	UNITS	DESCRIPTION
202	11200	LUMP SUM	L.S.	PORTIONS OF STRUCTURE REMOVED
509	15820	7335	LBS.	EPOXY COATED REINFORCING STEEL, GRADE 60
510	12201	141	L.F.	DOWEL HOLES, AS PER PLAN
511	34450	10	C.Y.	CLASS S CONCRETE, MISC.: ABUTMENT PARAPETS
511	45700	12	C.Y.	CLASS C CONCRETE, ABUTMENT RECONSTRUCTION
514	27704	LUMP	L.S.	FIELD PAINTING EXISTING STEEL, EEU X
SPECIAL	51267500	909	S.Y.	SEALING OF CONCRETE SURFACE *
SPECIAL	51267502	149	S.Y.	SEALING OF CONCRETE SURFACE (EPOXY) *
513	21000	15	EACH	TRIMMING OF BEAM END
516	11210	170	L.F.	STRUCTURAL EXP. JT., INCLUDING ELASTOMERIC STRIP SEAL
516	45304	18	EACH	REFURBISH BEARING DEVICE
516	14600	26	L.F.	STRUCTURAL JOINT OR JOINT SEALER, MISC.: 2"x4" SEALER, AS PER PLAN
519	11100	27	S.F.	PATCHING CONCRETE STRUCTURE
517	76201	164	L.F.	RAILING FACED, AS PER PLAN (32" HIGH)
517	76201	160	L.F.	RAILING FACED, AS PER PLAN (50" HIGH)
518	12700	9	EACH	SCUPPER, VERTICAL EXTENSION
518	63300	LUMP	L.S.	SCUPPER AND DRAINAGE PIPE CLEANOUT
625				FOR LIGHTING SUMMARY SEE LIGHTING PLANS.
845	40210	1370	S.Y.	LATEX MODIFIED CONCRETE OVERLAY (1¾" THICK) ON EXISTING DECK
845	11000	13	C.Y.	LATEX MODIFIED CONCRETE OVERLAY (VARIABLE THICKNESS)
845	30000	1	C.Y.	FULL DEPTH REPAIR

- \* SEE PROPOSAL NOTE
- ### PROPOSED WORK
- MODIFY PARAPETS ON THE SUPERSTRUCTURE & ABUTMENTS. (INSTALL PLATES FOR STRIP SEAL EXP. JT.)
  - SCARIFY EXISTING DECK ¼", AND REMOVE DETERIORATED CONCRETE AS DIRECTED BY THE ENGINEER.
  - REFURBISH ALL ABUTMENT BEARINGS.
  - PLACE 1¾" THICK LATEX MODIFIED CONCRETE ON DECK.
  - SEAL PARAPETS, PIERS, AND BACKWALL.
  - RECONSTRUCT ABUTMENT BACKWALL ABOVE APPROACH SLAB SEAT.
  - SEAL EXPANSION JOINT WITH STRIP SEAL.
  - REPLACE GUARDRAIL AS SHOWN ON ROADWAY PLANS.
  - TRIM BEAM ENDS TO 2" CLEARANCE. (OR AS CLOSE TO 2" AS POSSIBLE)
  - EXTEND SCUPPERS TO 8" BELOW BRIDGE BEAMS.
  - AT LEAST ONE LANE OF TRAFFIC SHALL BE MAINTAINED IN EACH DIRECTION AND ON THE BRIDGE AT ALL TIMES. FOR NOTES SEE MAINTAINANCE OF TRAFFIC PLANS. MAINTENANCE OF TRAFFIC PLAN REQUIRES CONSTRUCTION PHASING LIMITS AT LANE CENTERLINES. DUE TO THESE LIMITS, OVERLAY MAY REQUIRE SPECIAL ATTENTION.
  - OTHER WORK AS DESCRIBED IN THESE PLANS.

**WOOLPERT CONSULTANTS**  
 409 E. MONUMENT AVENUE  
 DAYTON, OHIO 45402-1226  
 (513) 461-5660

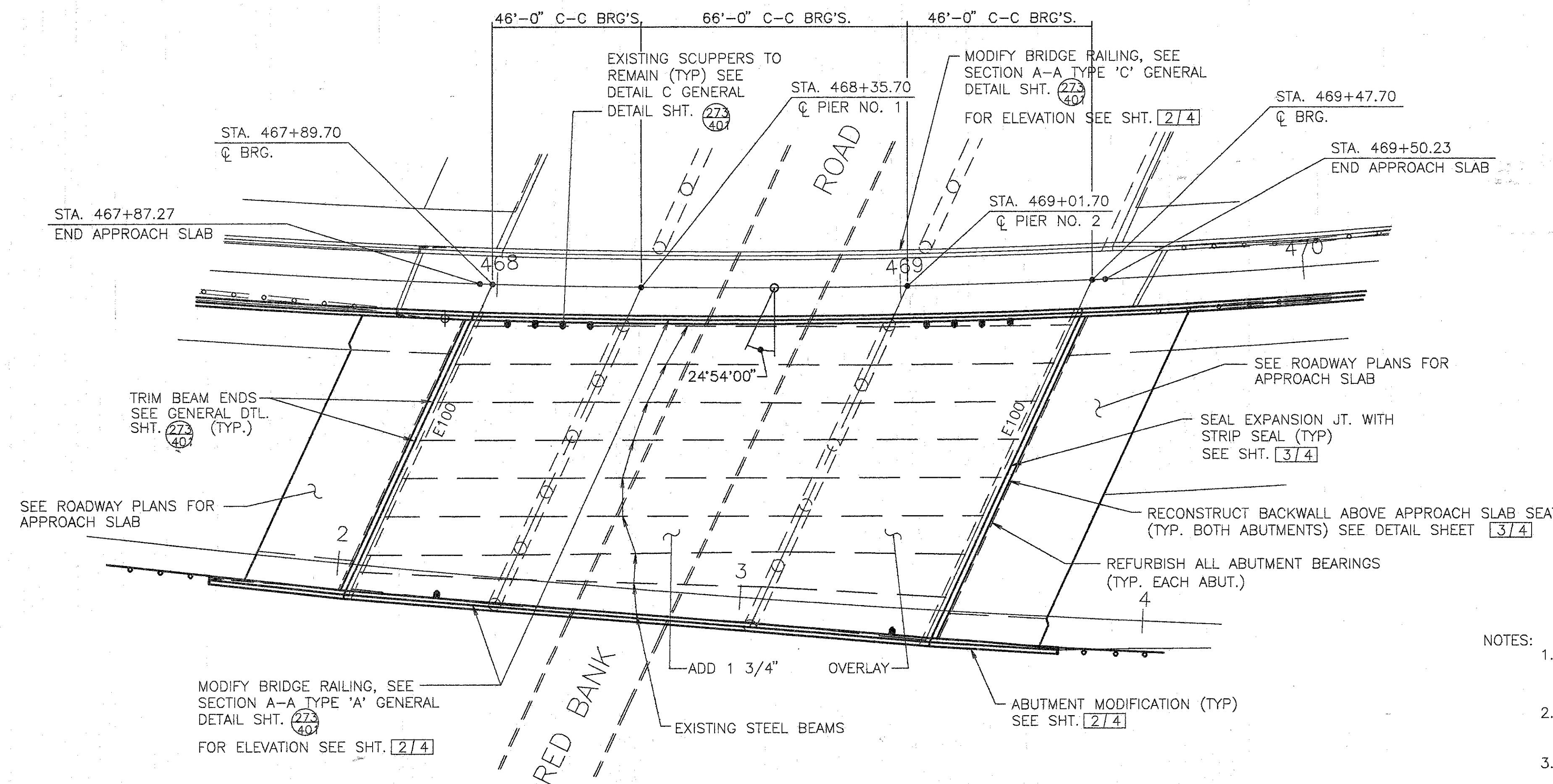
4 / 4

### QUANTITIES AND GENERAL NOTES

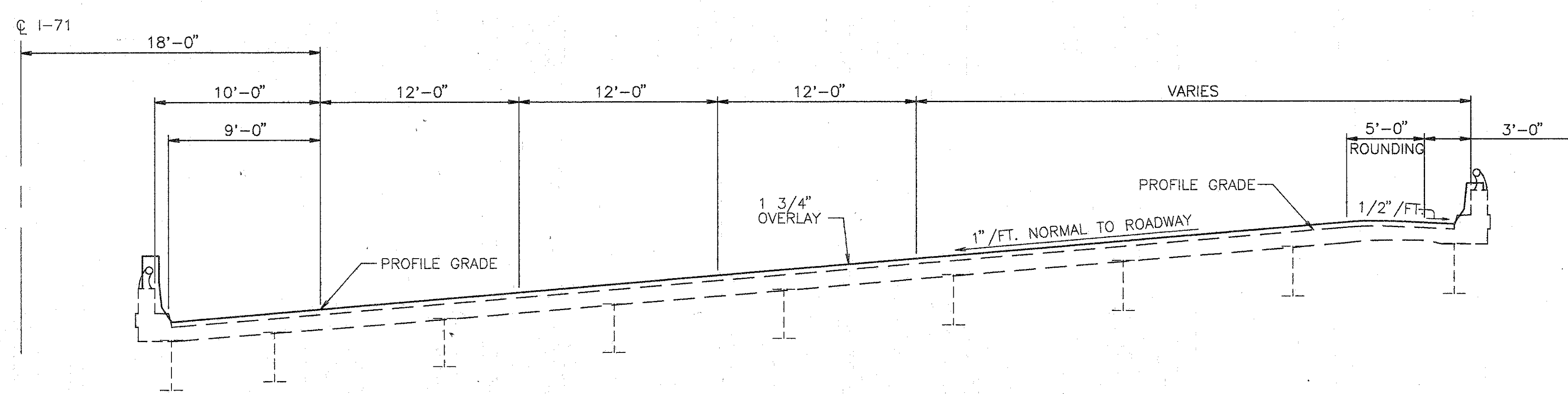
BRIDGE NO. HAM-71-0965 L  
 OVER RED BANK ROAD  
 HAMILTON COUNTY

DESIGNED	DRAWN	TRACED	CHECKED	REVIEWED	DATE	REVISED
L.A.T.M.	D.E.E.		M.A.A.	D.E.M11/11/94		

Unit Price MAY 15, 1991 © 5:52 PM  
 G:\PWA\9096-CO\SHAW\RESUB\PA Lett Revision By: BACH OCT. 6, 1992 © 3:15 PM



- NOTES:
1. EXTEND ALL SCUPPERS—FOR DETAIL SEE GENERAL DETAIL SHEET. [2/4]
  2. SEAL PARAPETS, BACKWALLS AND PIERS. SEAL ALL OF PIERS EXCEPT TOP OF PIER CAP.
  3. SEE JUNCTION BOX EXTENSION DETAIL GENERAL DETAIL SHT. FOR BARRIER RETROFIT AT JUNCTION BOXES. REFER TO LIGHTING DETAILS TYPE AND LOCATION.



TYP. BRIDGE SECTION

SLIDING OR FIXED E SIZE	JACK CAPACITY REQ'D. (MIN)
E100	75 TON

EXISTING STRUCTURE

TYPE: CONTINUOUS STEEL BEAM WITH REINFORCED CONCRETE DECK & SUBSTRUCTURE  
 SPANS: 46'-0", 66'-0", 46'-0"  
 ROADWAY: VARIES  
 SKEW: 24'54"00" LT. FORWARD  
 LOADING FREQUENCY: C.F.=2000 (57) ADEQUATE FOR AASHO ALTERNATE LOADING  
 WEARING SURFACE: 1" MONOLITHIC CONCRETE  
 APPROACH SLABS: AS-1-54 (25'-0" LONG)  
 ALIGNMENT: 3'-00" CURVE TO THE LEFT  
 SUPERELEVATION: 1"/FT.

**WOOLPERT CONSULTANTS**  
 409 E. MONUMENT AVENUE  
 DAYTON, OHIO 45402-1226  
 (513) 461-5660

GENERAL PLAN

BRIDGE NO. HAM-71-0965R  
 OVER RED BANK ROAD

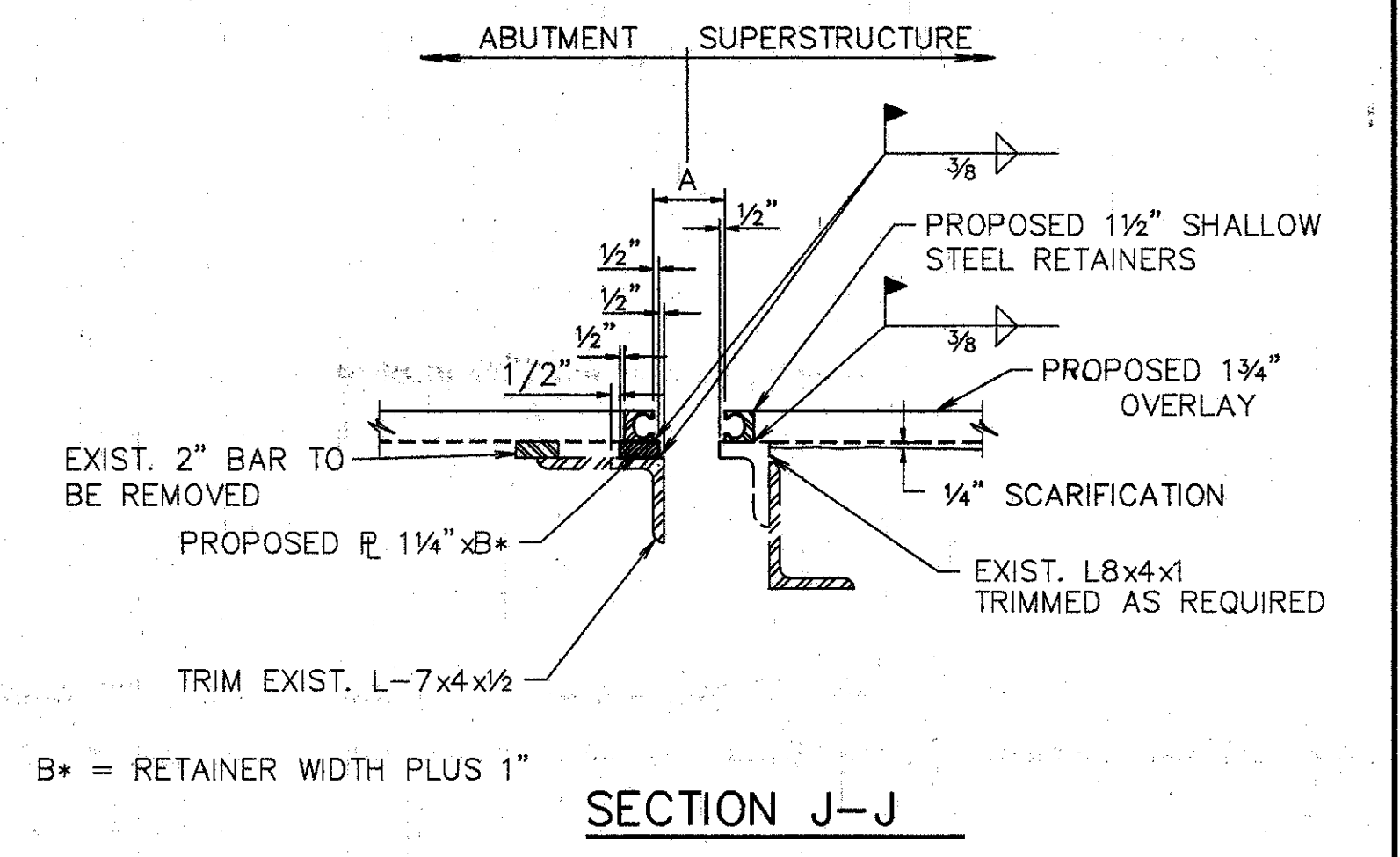
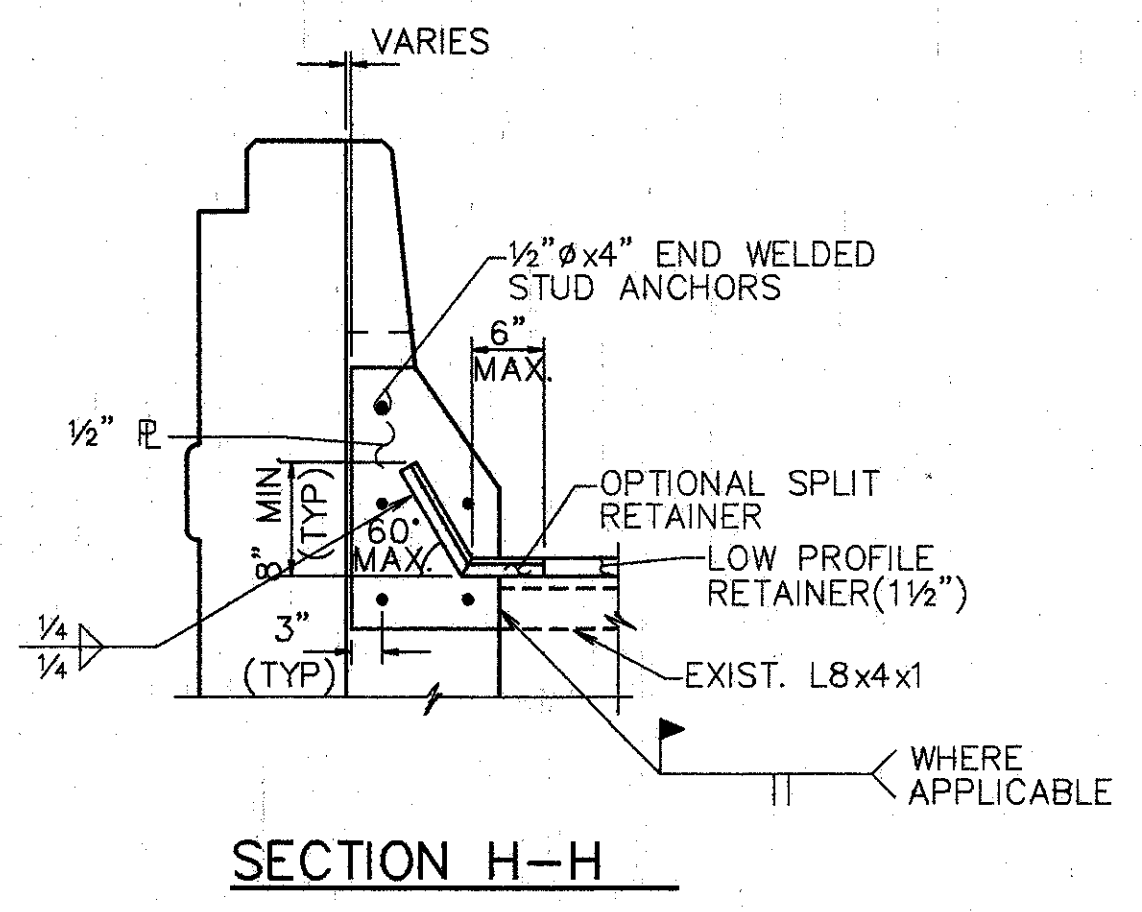
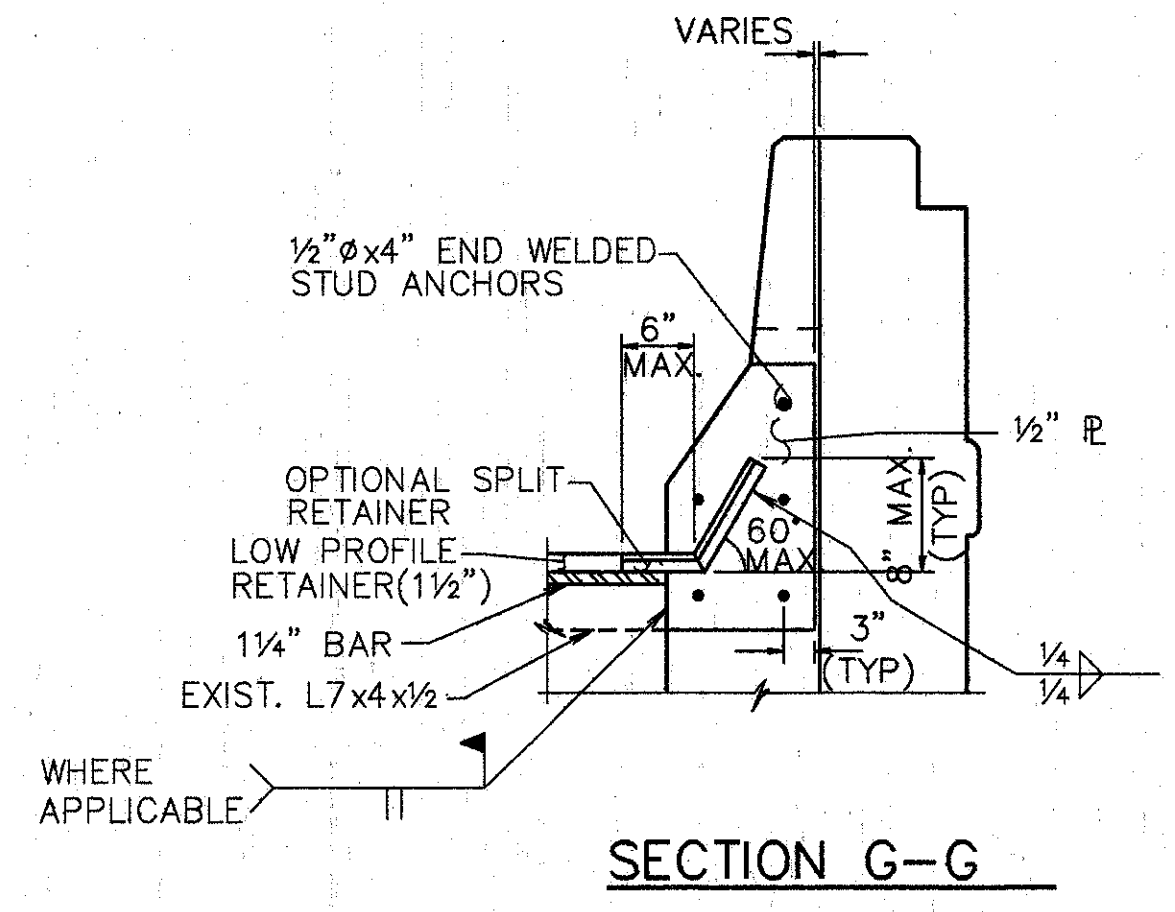
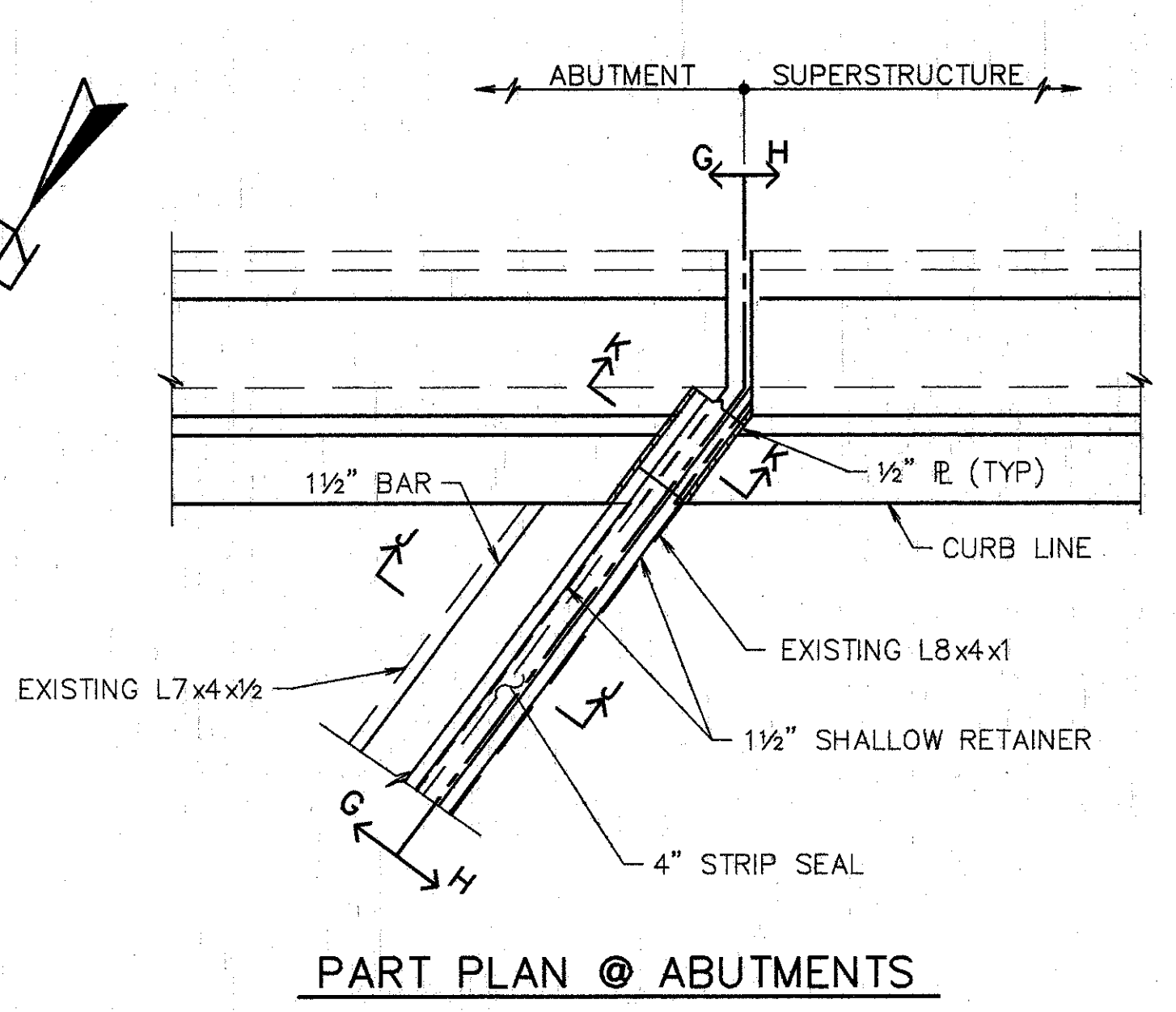
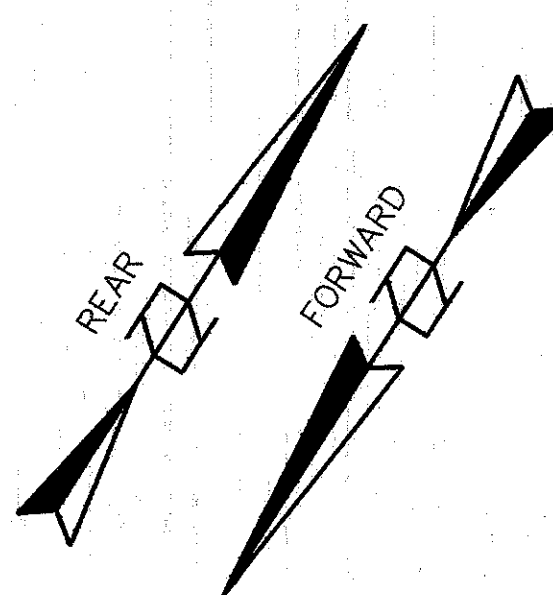
HAMILTON COUNTY

DESIGNED	DRAWN	TRACED	CHECKED	REVIEWED	DATE	REVISED
L.A.T.M.	D.E.E.		M.A.A.	D.E.M1/11/94		

Last Plot: MAY 15, 1995 @ 4:33 PM  
 C:\STR\16598-CO\SHAWNY 71-0965R.Lot1 Revision D1: RACH, MAY 17, 1994 @ 2:26 PM

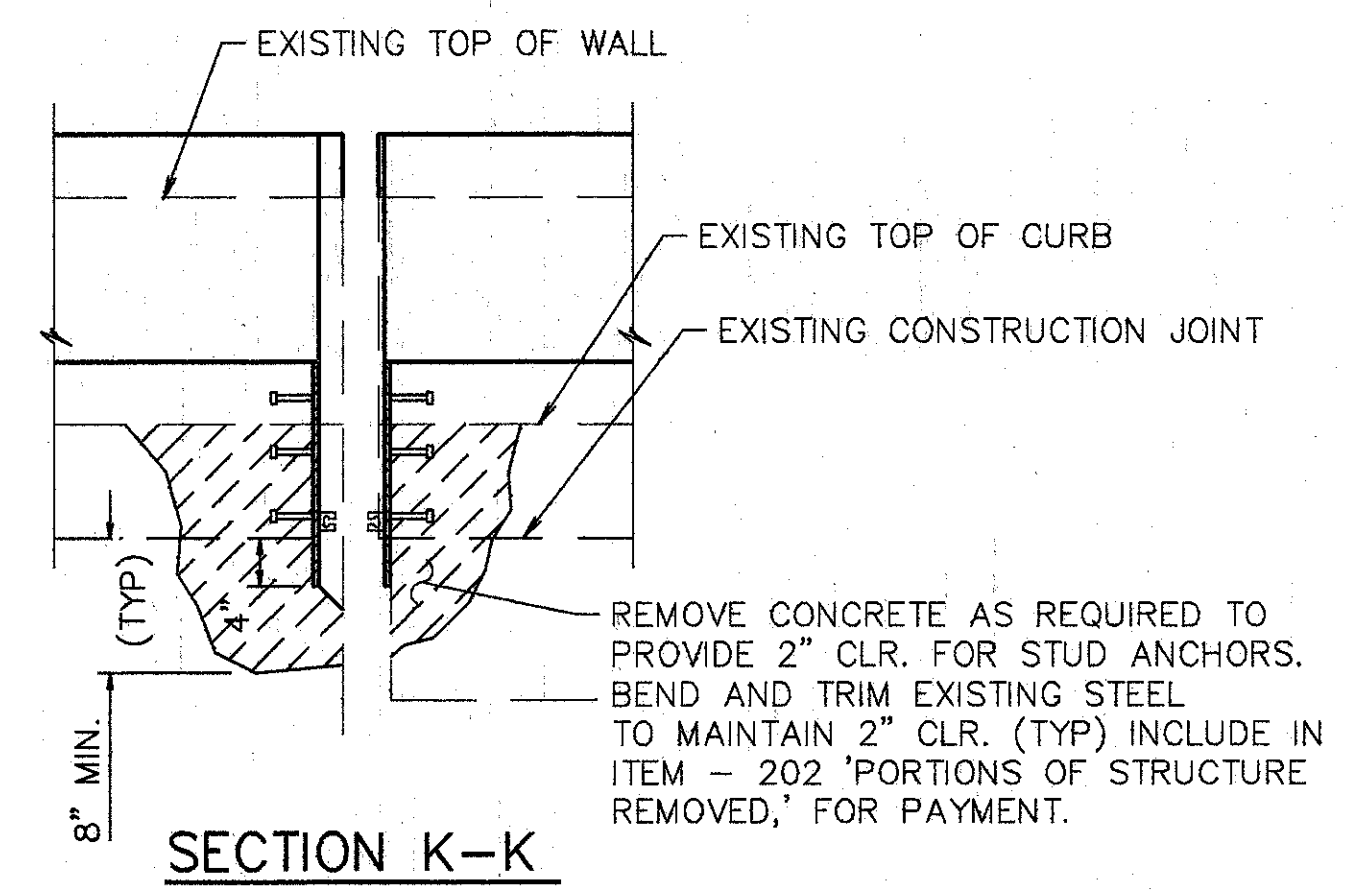
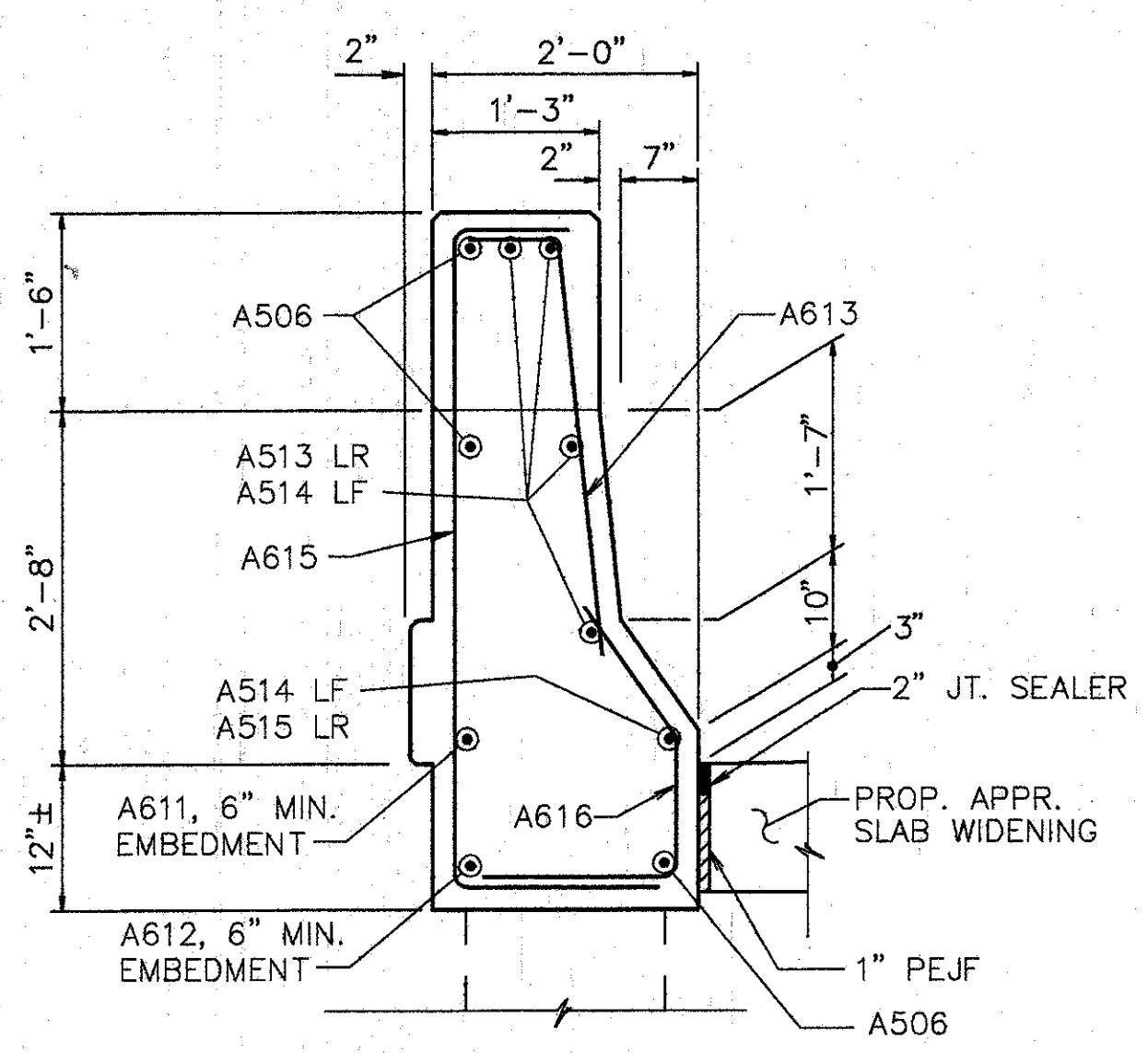




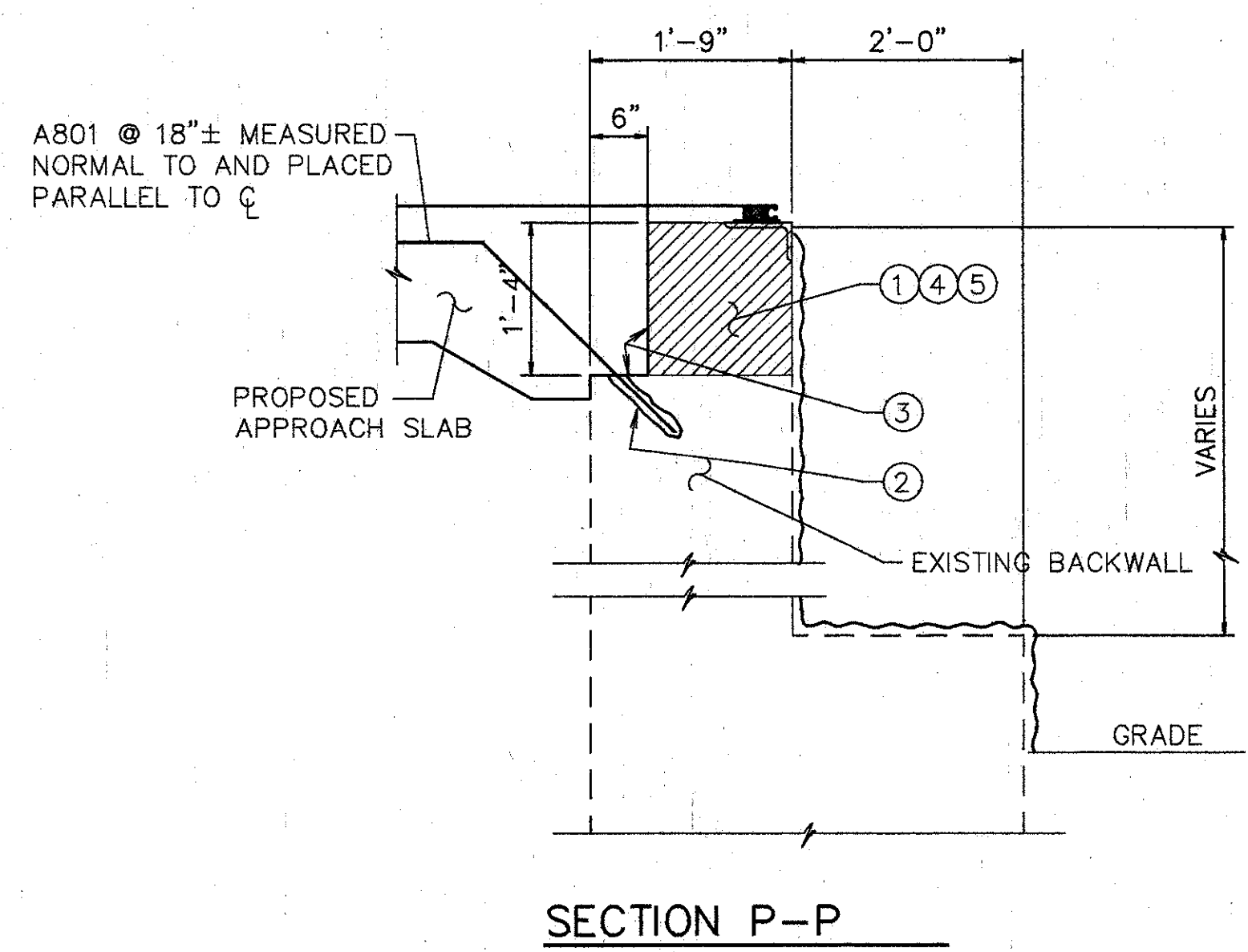


- NOTES:**
- EXPANSION JT. DETAILS TO BE WORKED WITH STD. DWG. EXJ-4-87 SHTS. 1 thru 5.
  - WHEN PLATE IS RECESSED INTO ABUTMENT, CONCRETE BELOW PLATE SHALL BE SLOPED FROM BOTTOM OF THE PLATE TO THE END OF THE ABUTMENT TO DETER ACCUMULATION OF DEBIS.

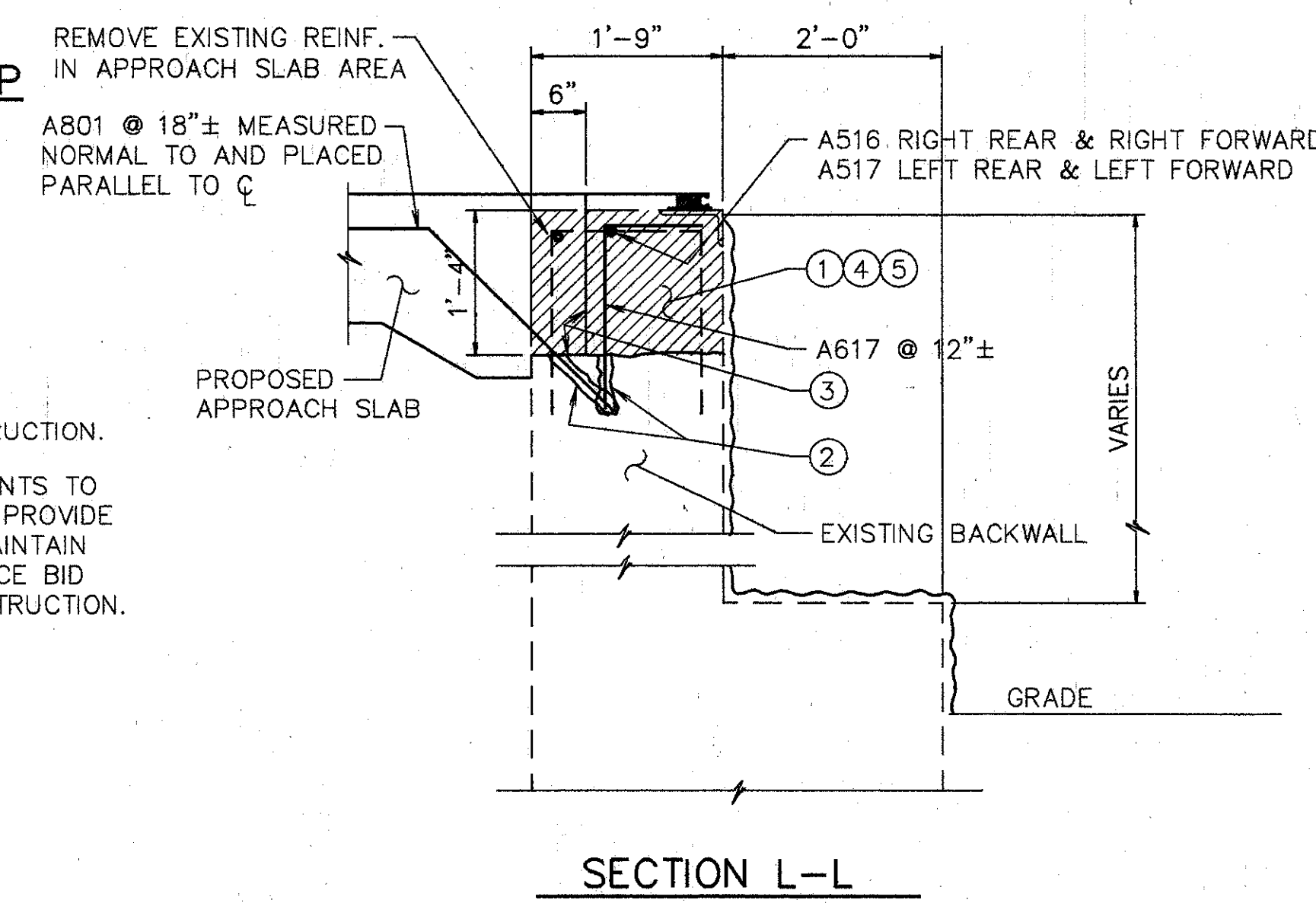
- NOTES:**
- CONTRACTOR TO VERIFY ALL DIMENSIONS PRIOR TO MODIFYING EXPANSION JOINT.
  - THE PRICE BID FOR ITEM 516- 'STRUCTURAL EXPANSION JOINTS, INCLUDING ELASTOMERIC STRIP SEALS, SHALL INCLUDE ALL LABOR, MATERIALS, EQUIPMENT, AND ANY OTHER INCIDENTAL ITEMS, AS DETAILED. (REMOVAL OF CURB OR PARAPET AS SHOWN SHALL BE INCLUDED UNDER ITEM 202- 'PORTIONS OF STRUCTURE REMOVED').
  - FOR DETAILS NOT SHOWN REFER TO DWG. EXJ-4-87 SHTS. 3 AND 4.
  - STRIP SEAL TO BE INSTALLED IN ONE CONTINUOUS PIECE (NO OPEN JOINTS).
  - PROVIDE TEMPORARY SUPPORT FOR ABUTMENT END DAM DURING CONSTRUCTION. REMOVE TEMPORARY SUPPORT AS SOON AS CONCRETE HAS SET, PREFERABLY WITHIN TWO HOURS AFTER PLACING TO AVOID DAMAGE DUE TO EXPANSION AND CONTRACTION OF SUPERSTRUCTURE.



TEMPERATURE	DIM. 'A'	
	REAR	FORWARD
40° F	3 1/2"	3 1/8"
50° F	3 3/8"	3 1/8"
60° F	3 1/4"	3 1/8"
70° F	3 1/4"	3"
80° F	3 1/8"	3"
90° F	3"	3"



- NOTES FOR SECTION L-L & P-P**
- EXISTING REINFORCING STEEL TO REMAIN ~ REINFORCING STEEL DAMAGED TO BE REPLACED AT CONTRACTORS EXPENSE.
  - 1' MIN. EMBEDMENT (SEE DOWEL HOLE GENERAL NOTE) ITEM 510.
  - TYPE 'A' WATERPROOFING (PAYMENT INCLUDED IN THE PRICE BID FOR APPROACH SLAB).
  - CLASS 'C' CONCRETE, ABUTMENT RECONSTRUCTION.
  - PROVIDE CONTRACTION AND EXPANSION JOINTS TO MATCH THOSE IN EXISTING BACKWALL AND PROVIDE CONSTRUCTION JOINTS AS REQUIRED TO MAINTAIN TRAFFIC. PAYMENT TO BE INCLUDED IN PRICE BID FOR ITEM 511 CLASS C CONCRETE RECONSTRUCTION.
- EXISTING CONCRETE TO BE REMOVED INCLUDE IN ITEM 202 FOR PAYMENT.
- SURFACE TO BE SEALED UNDER ITEM SPECIAL- 'SEALING OF CONCRETE SURFACE, EPOXY'.



SEE NOTES ON SHT. 2/4

**WOOLPERT CONSULTANTS**  
 409 E. MONUMENT AVENUE  
 DAYTON, OHIO 45402-1226  
 (513) 461-5660

**MISCELLANEOUS DETAILS**

BRIDGE NO. HAM-71-0965 R  
 OVER RED BANK ROAD

HAMILTON COUNTY

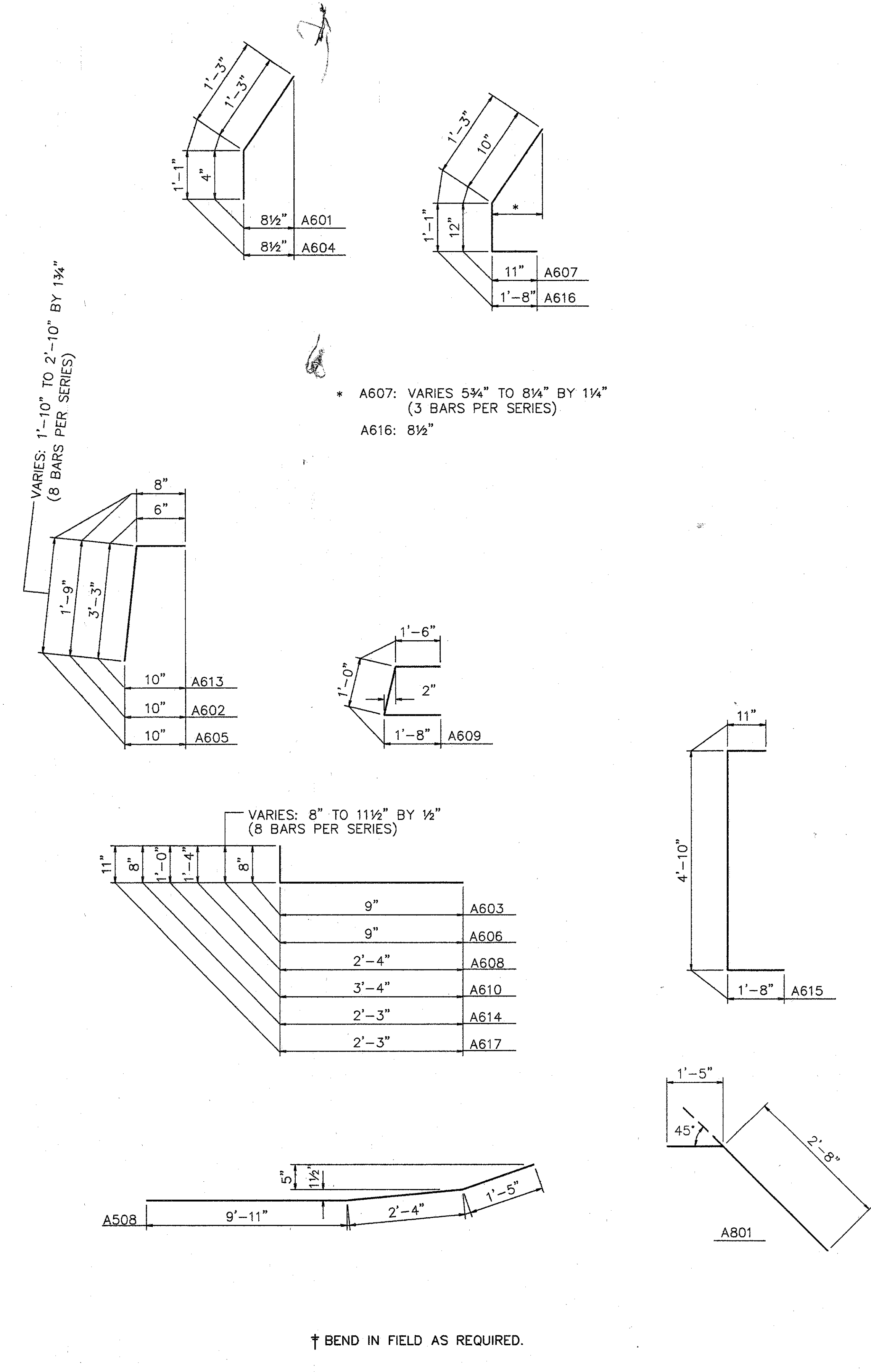
DESIGNED	DRAWN	TRACED	CHECKED	REVIEWED	DATE	REVISED
L.A.T.M.	D.E.E.		M.A.A.	D.E.E.	11/11/94	

LAM FILED MAY 15, 1991 @ 5:57 PM  
 C:\STR\10596-00\STR\10596\DESIGNS\10596\10596.DWG



REINFORCING STEEL LIST				
MARK	SHAPE	NUMBER	LENGTH	WEIGHT
A501	STR.	20	30'-0"	626
A502	STR.	2	13'-9"	29
A503	STR.	2	19'-3"	40
A504	STR.	33	13'-6"	465
A505	STR.	55	14'-0"	803
A506	STR.	8	5'-0"	42
A507	STR.	2	13'-8"	29
A508	BNT. †	2	13'-8"	29
A509	BNT.	4	13'-8"	57
A510	STR.	2	11'-0"	23
A511	STR.	4	20'-4"	85
A512	STR.	4	22'-0"	92
A513	STR.	4	19'-0"	79
A514	STR.	5	13'-8"	71
A515	STR.	1	18'-10"	20
A516	STR.	2	10'-6"	22
A517	STR.	2	13'-2"	27
A601	BNT.	346	1'-6"	780
A602	BNT.	173	2'-5"	628
A603	BNT.	175	1'-3"	329
A604	BNT.	12	2'-3"	41
A605	BNT.	16	2'-6" to 3'-6"	72
A606	BNT.	16	1'-3" to 1'-7"	34
A607	BNT.	6	2'-6"	23
A608	BNT.	6	3'-6"	32
A609	BNT.	2	3'-10"	12
A610	BNT.	4	4'-2"	25
A611	STR.	4	1'-2"	7
A612	STR.	4	10"	5
A613	BNT.	172	3'-7"	926
A614	BNT.	170	2'-9"	702
A615	BNT.	2	7'-1"	21
A616	BNT.	2	3'-9"	11
A617	BNT.	40	3'-0"	180
A801	BNT.	101	4'-0"	1079
REPLACEMENT STEEL				300
TOTAL				7746

BENT BAR DETAILS



\* A607: VARIES 5 3/4" TO 8 1/4" BY 1 1/4"  
 (3 BARS PER SERIES)  
 A616: 8 1/2"

VARIES: 1'-10" TO 2'-10" BY 1 3/4"  
 (8 BARS PER SERIES)

VARIES: 8" TO 11 1/2" BY 1/2"  
 (8 BARS PER SERIES)

ITEM	TOTAL	UNITS	DESCRIPTION
202	11200	LUMP SUM	PORTIONS OF STRUCTURE REMOVED
509	15820	7746 LBS.	EPOXY COATED REINFORCING STEEL, GRADE 60
510	12201	141 L.F.	DOWEL HOLES AS PER PLAN
511	34450	13 C.Y.	CLASS S CONCRETE, MISC.: ABUTMENT PARAPETS
511	45700	11 C.Y.	CLASS C CONCRETE, ABUTMENT (RECONSTRUCTION)
SPECIAL	51267500	905 S.Y.	SEALING OF CONCRETE SURFACE *
SPECIAL	51267502	243 S.Y.	SEALING OF CONCRETE SURFACE (EPOXY) *
513	21000	18 EACH	TRIMMING OF BEAM END
514	27704	LUMP L.S.	FIELD PAINTING EXISTING STEEL, EEU X
516	14600	35 L.F.	STRUCTURAL JOINT OR JOINT SEALER, MISC.: 2"x4" SEALER, AS PER PLAN
516	11210	166 L.F.	STRUCTURAL EXP. JT., INCLUDING ELASTOMERIC STRIP SEAL
516	45304	18 EACH	REFURBISH BEARING DEVICE
517	76201	154 L.F.	RAILING FACED, AS PER PLAN (32" HIGH)
517	76201	160 L.F.	RAILING FACED, AS PER PLAN (50" HIGH)
518	12700	10 EACH	SCUPPER, VERTICAL EXTENSION
519	11100	3 S.F.	PATCHING CONCRETE STRUCTURE
625			FOR LIGHTING SUMMARY SEE LIGHTING PLANS.
518	63300	LUMP L.S.	SCUPPER AND DRAINAGE PIPE CLEANOUT
845	40210	1326 S.Y.	LATEX MODIFIED CONCRETE OVERLAY (1 3/4" THICK) ON EXISTING DECK
845	11000	13 C.Y.	LATEX MODIFIED CONCRETE OVERLAY (VARIABLE THICKNESS)
845	30000	1 C.Y.	FULL DEPTH REPAIR

\* SEE PROPOSAL NOTE

PROPOSED WORK

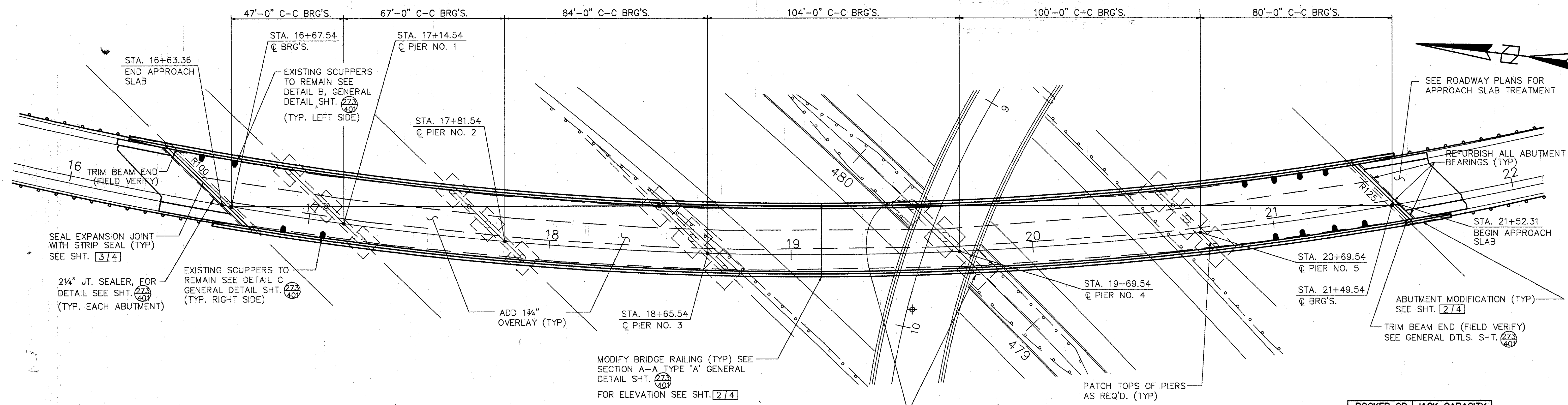
- MODIFY PARAPETS ON THE SUPERSTRUCTURE & ABUTMENTS. SEAL PARAPETS AS SHOWN ON PLANS. (INSTALL PLATES FOR STRIP SEAL EXP. JT.).
- SCARIFY EXISTING DECK 1/4", AND REMOVE DETERIORATED CONCRETE AS DIRECTED BY THE ENGINEER.
- REFURBISH ALL ABUTMENT BEARINGS.
- PLACE 1 3/4" THICK LATEX MODIFIED CONCRETE ON DECK.
- SEAL PARAPETS, PIERS, AND BACKWALL.
- RECONSTRUCT ABUTMENT BACKWALL ABOVE APPROACH SLAB SEAT.
- SEAL EXPANSION JOINT WITH STRIP SEAL.
- REPLACE GUARDRAIL AS SHOWN ON ROADWAY PLANS.
- TRIM BEAM ENDS.
- EXTEND SCUPPERS TO 8" BELOW BRIDGE BEAMS.
- AT LEAST ONE LANE OF TRAFFIC SHALL BE MAINTAINED IN EACH DIRECTION AND ON THE BRIDGE AT ALL TIMES. FOR NOTES SEE MAINTENANCE OF TRAFFIC PLANS. MAINTENANCE OF TRAFFIC PLAN REQUIRES CONSTRUCTION PHASING LIMITS AT LANE CENTERLINES. DUE TO THESE LIMITS, OVERLAY MAY REQUIRE SPECIAL ATTENTION.
- OTHER WORK AS DESCRIBED IN THESE PLANS.

**WOOLPERT CONSULTANTS**  
 409 E. MONUMENT AVENUE  
 DAYTON, OHIO 45402-1226  
 (513) 461-5660

**QUANTITIES AND GENERAL NOTES**  
 BRIDGE NO. HAM-71-0965 R  
 OVER RED BANK ROAD  
 HAMILTON COUNTY

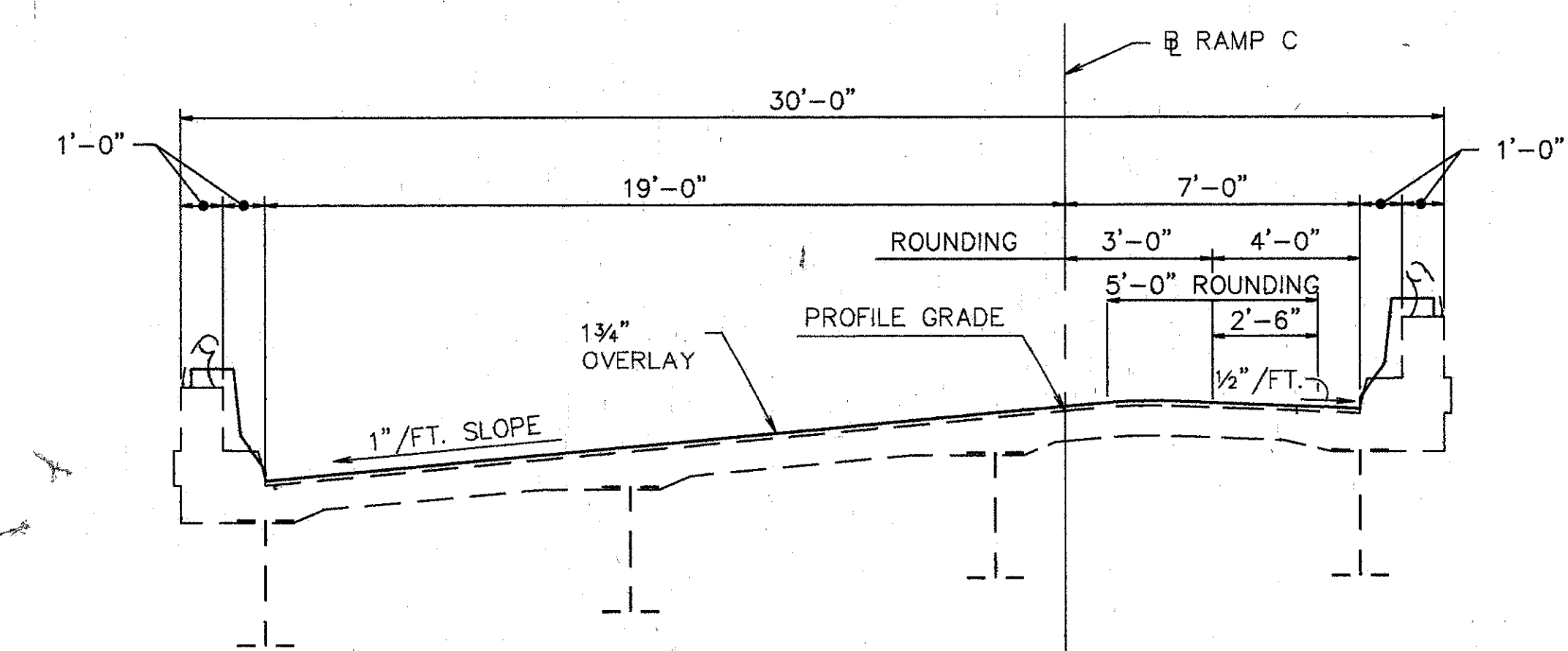
DESIGNED	DRAWN	TRACED	CHECKED	REVIEWED	DATE	REVISED
L.A.T.M.	D.E.E.		M.A.A.	D.E.M11/11/94		

4 / 4



PLAN

ROCKER OR BOLSTER SIZE	JACK CAPACITY REQ'D. (MIN)
R100	75 TON
R125	100 TON



TYP. BRIDGE SECTION

- NOTES:
1. EXTEND SCUPPERS- SEE DETAIL F GENERAL DETAIL SHEET 273
  2. SEAL PARAPETS, BACKWALLS AND PIERS 3, 4 & 5. SEAL PIERS COMPLETELY EXCEPT FOR TOPS OF PIER CAPS. PIER 4 SEALING QUANTITIES BELOW TOP OF CAP ARE INCLUDED IN BRIDGE 71-0987 FOR PAYMENT.
  3. SEE JUNCTION BOX EXTENSION DETAIL GENERAL DETAIL SHEET 273 FOR BARRIER RETROFIT AT JUNCTION BOXES. REFER TO LIGHTING DETAILS FOR TYPE AND LOCATION.
  4. PAINT EXIST. STEEL STRUCTURE WITH SYSTEM OZEU.

EXISTING STRUCTURE

TYPE: CONTINUOUS STEEL GIRDER WITH REINFORCED CONCRETE DECK & SUBSTRUCTURE.  
 SPANS: 47'-0", 67'-0", 84'-0", 104'-0", 100'-0" & 80'-0"  
 ROADWAY: 28'-0" F-F PARAPET  
 SKEW: 43'-23'-17" RT. FORWARD  
 LOADING FREQUENCY: C.F.=400 (57)  
 WEARING SURFACE: 1" MONOLITHIC CONCRETE  
 APPROACH SLABS: AS-1-54 (25'-0" LONG)  
 ALIGNMENT: 4'-00'-00" CURVE TO THE LEFT  
 SUPERELEVATION: 0.0833'/FT.  
 CURB: 1'-0" EACH SIDE

**WOOLPERT CONSULTANTS**  
 409 E. MONUMENT AVENUE  
 DAYTON, OHIO 45402-1226  
 (513) 461-5660

GENERAL PLAN

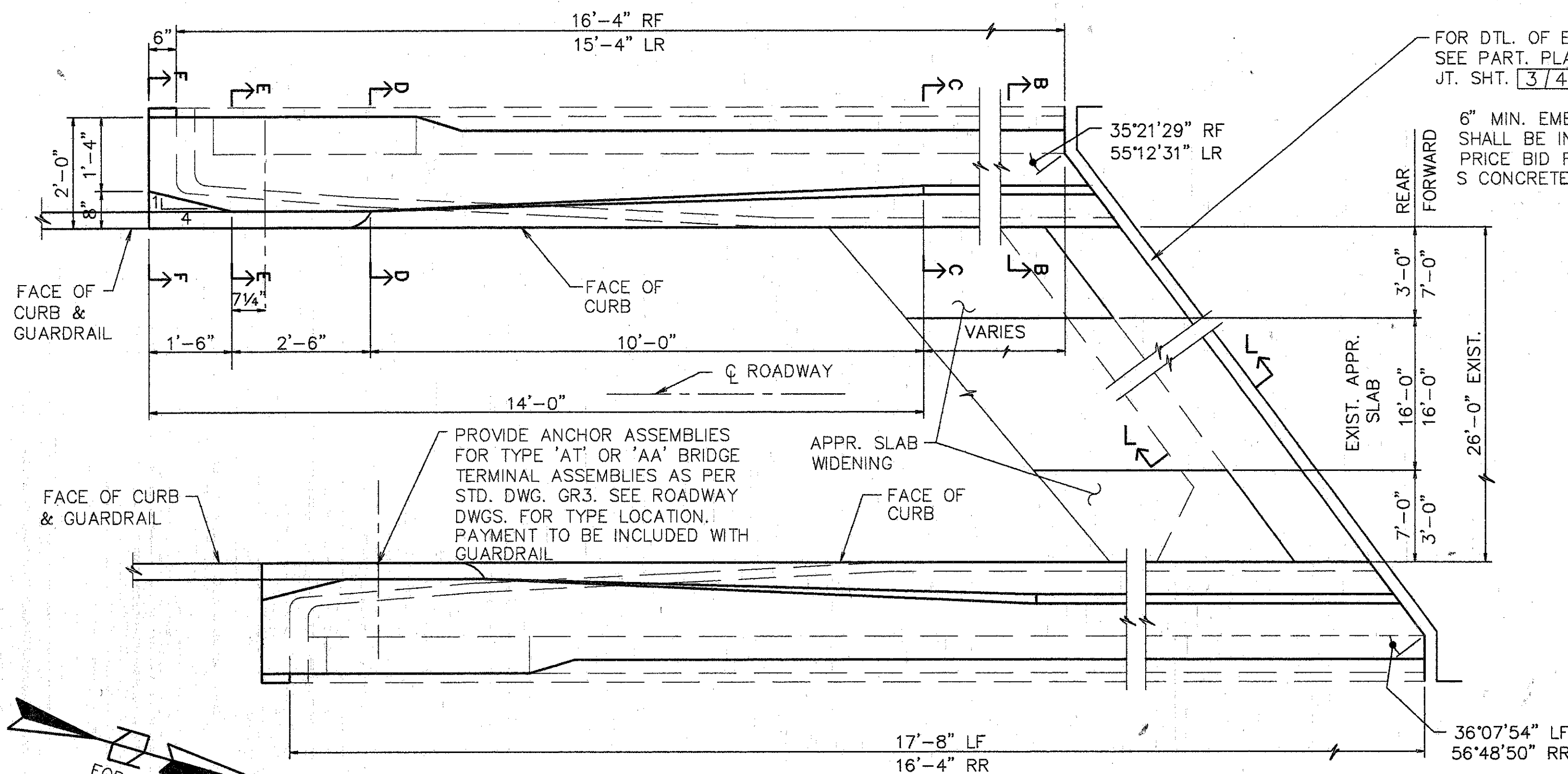
BRIDGE NO. HAM-71-0986  
 OVER INTERSTATE ROUTE 71

HAMILTON COUNTY

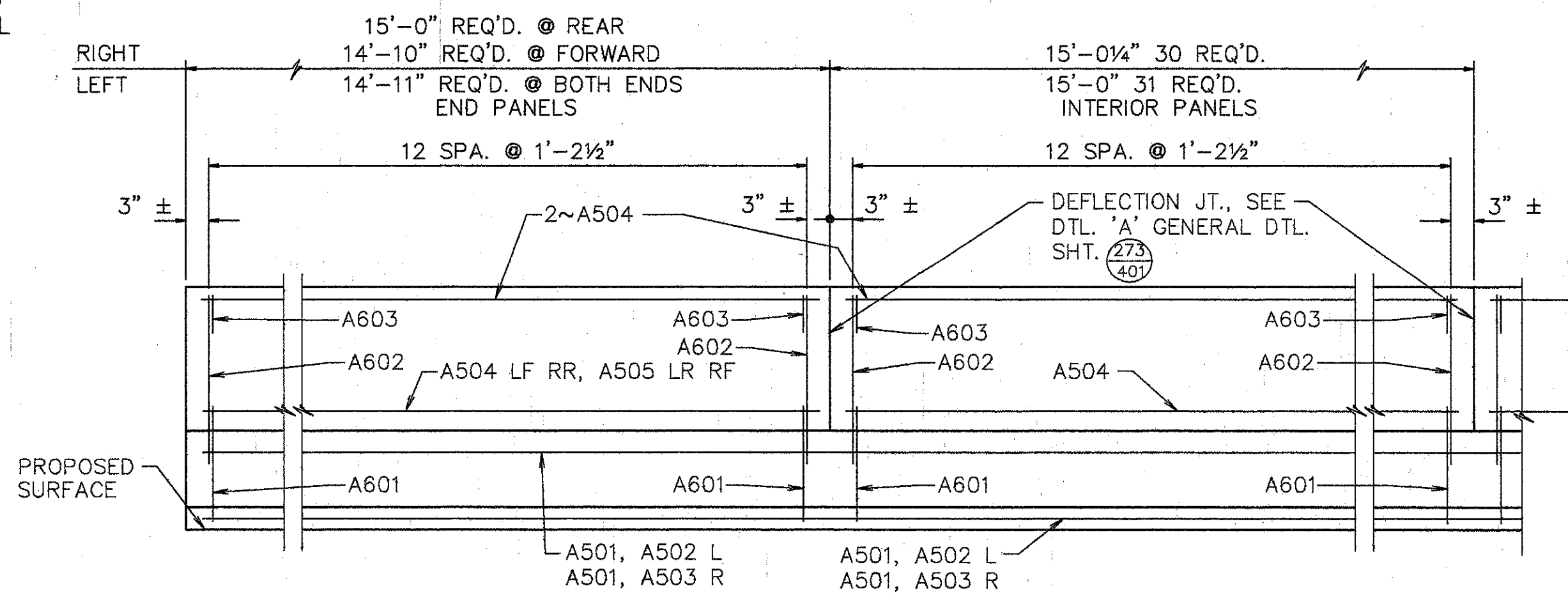
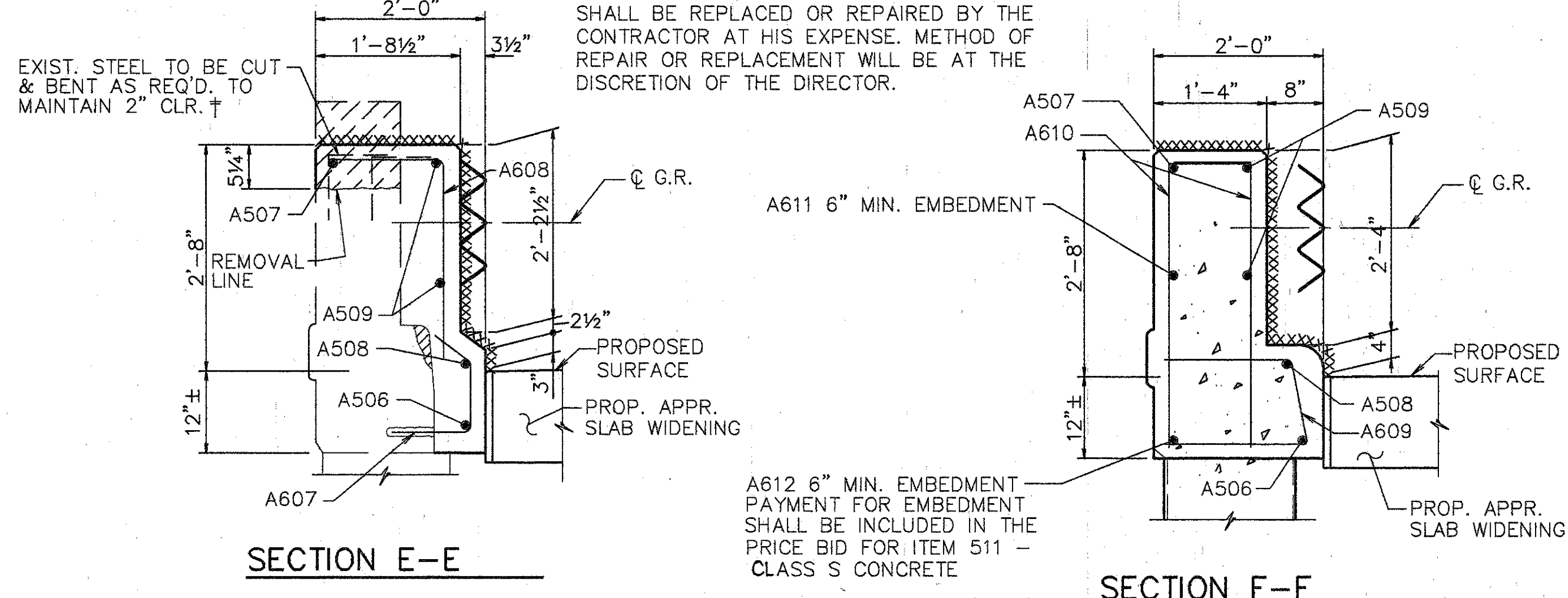
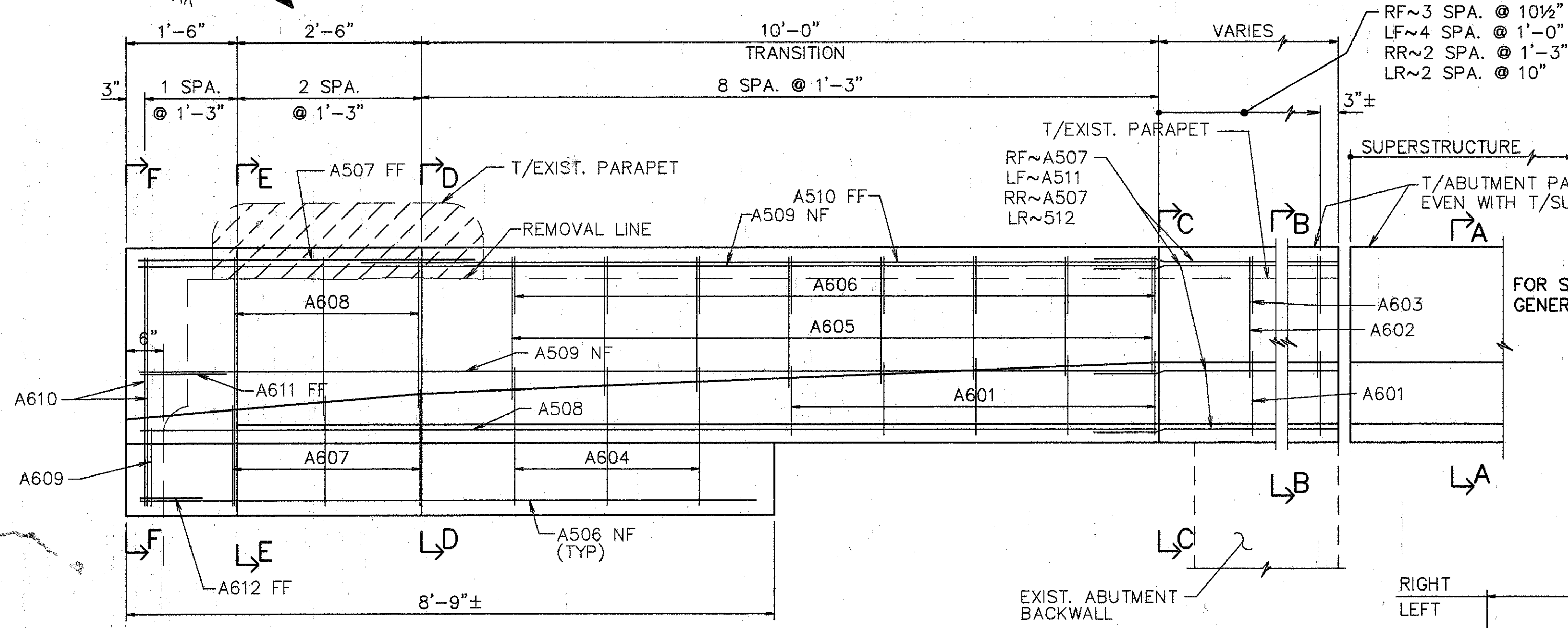
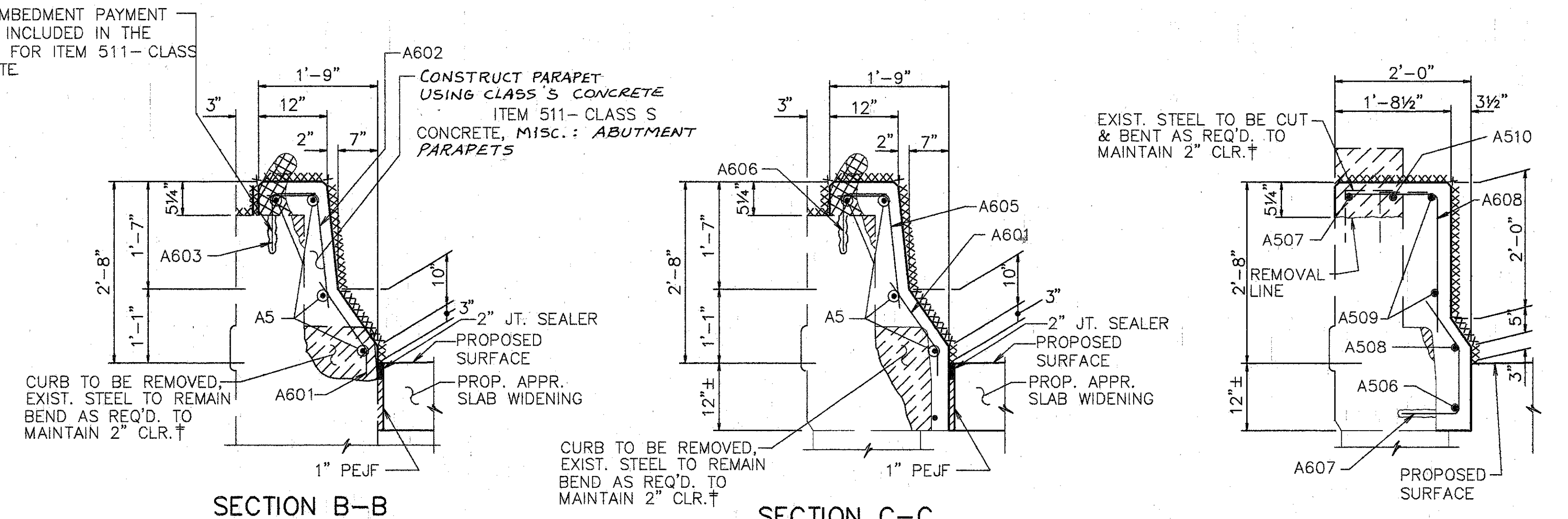
DESIGNED	DRAWN	TRACED	CHECKED	REVIEWED	DATE	REVISED
L.A.T.	L.A.P.		M.A.A.	D.E.M11/11/94		

Plot File: MAY 05, 1991 @ 4:35 PM  
 C:\WORK\92\HAM71-1.30\HAM71-1.30.dwg  
 Plot: HAM71-1.30.dwg  
 Oct. 6, 1992 @ 8:43 AM





PLAN - ABUTMENT MODIFICATION  
 REAR ABUT. SHOWN, FWD. ABUT. OPPOSITE HAND SAME SKEW



NOTE:  
 FOR SECTIONS NOT SHOWN THIS SHEET SEE SHT. 3/4

**WOOLPERT CONSULTANTS**  
 409 E. MONUMENT AVENUE  
 DAYTON, OHIO 45402-1226  
 (513) 461-5660

**PARAPET SECTIONS AND DETAILS**

BRIDGE NO. HAM-71-0986  
 OVER I-71

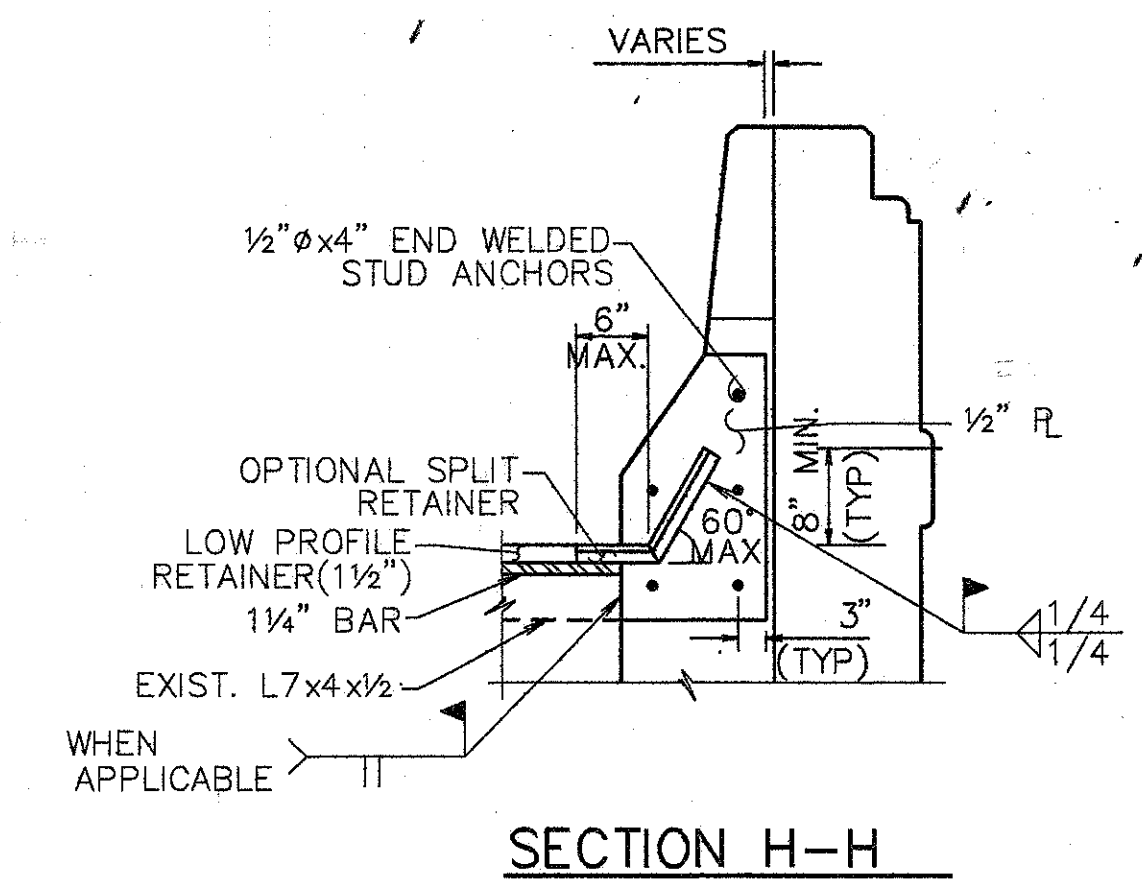
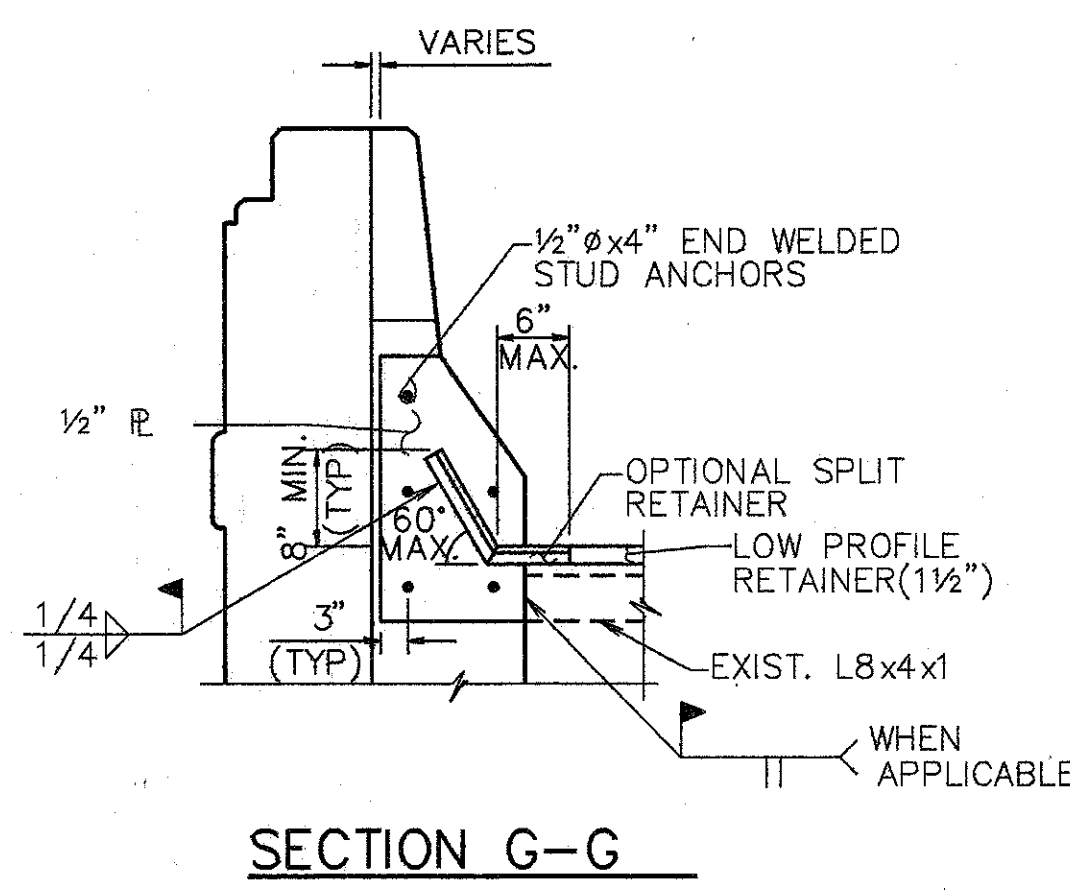
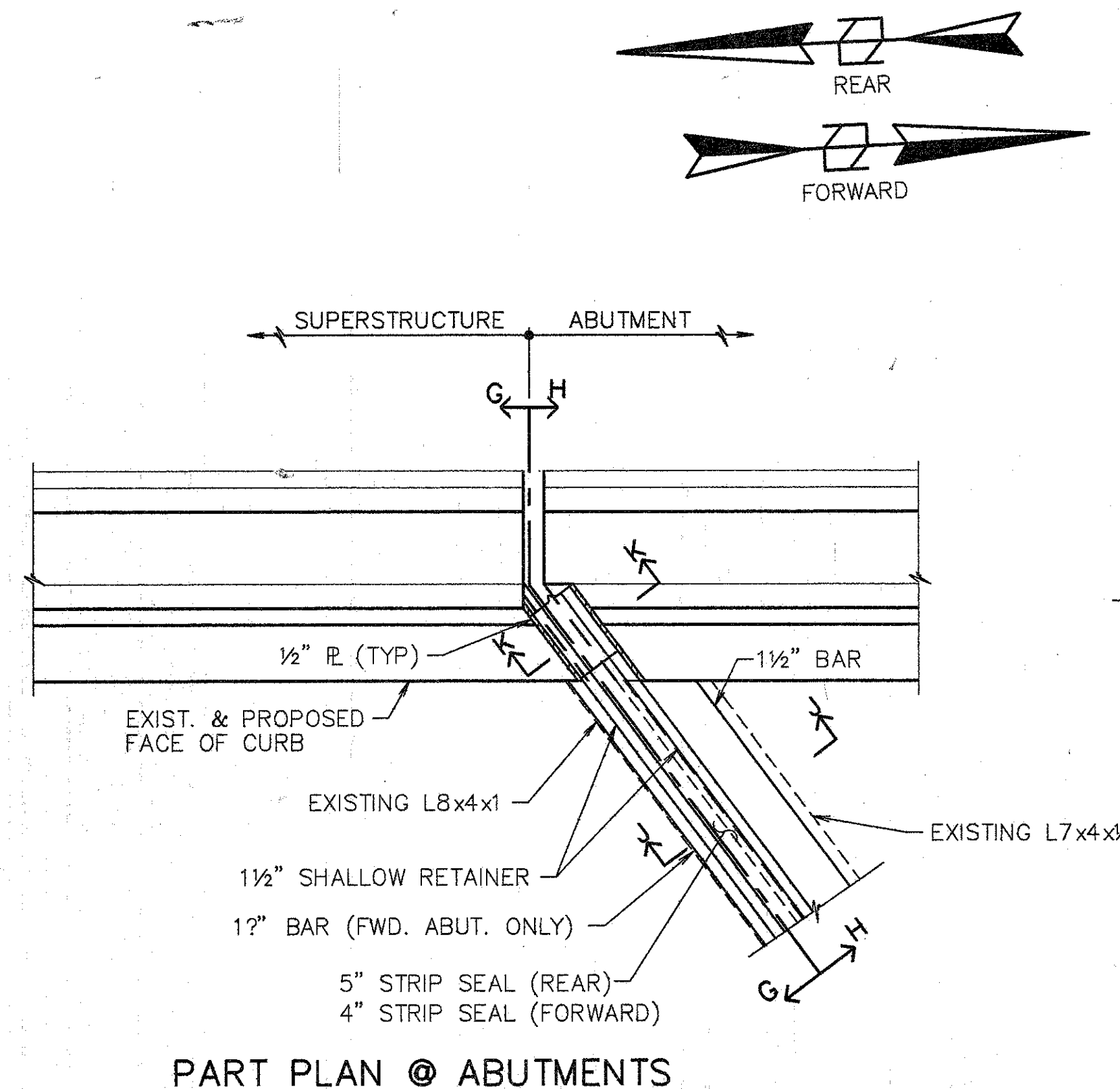
HAMILTON COUNTY

DESIGNED	DRAWN	TRACED	CHECKED	REVIEWED	DATE	REVISED
L.A.T.	R.M.J.		M.A.A.	D.E.M.	11/94	

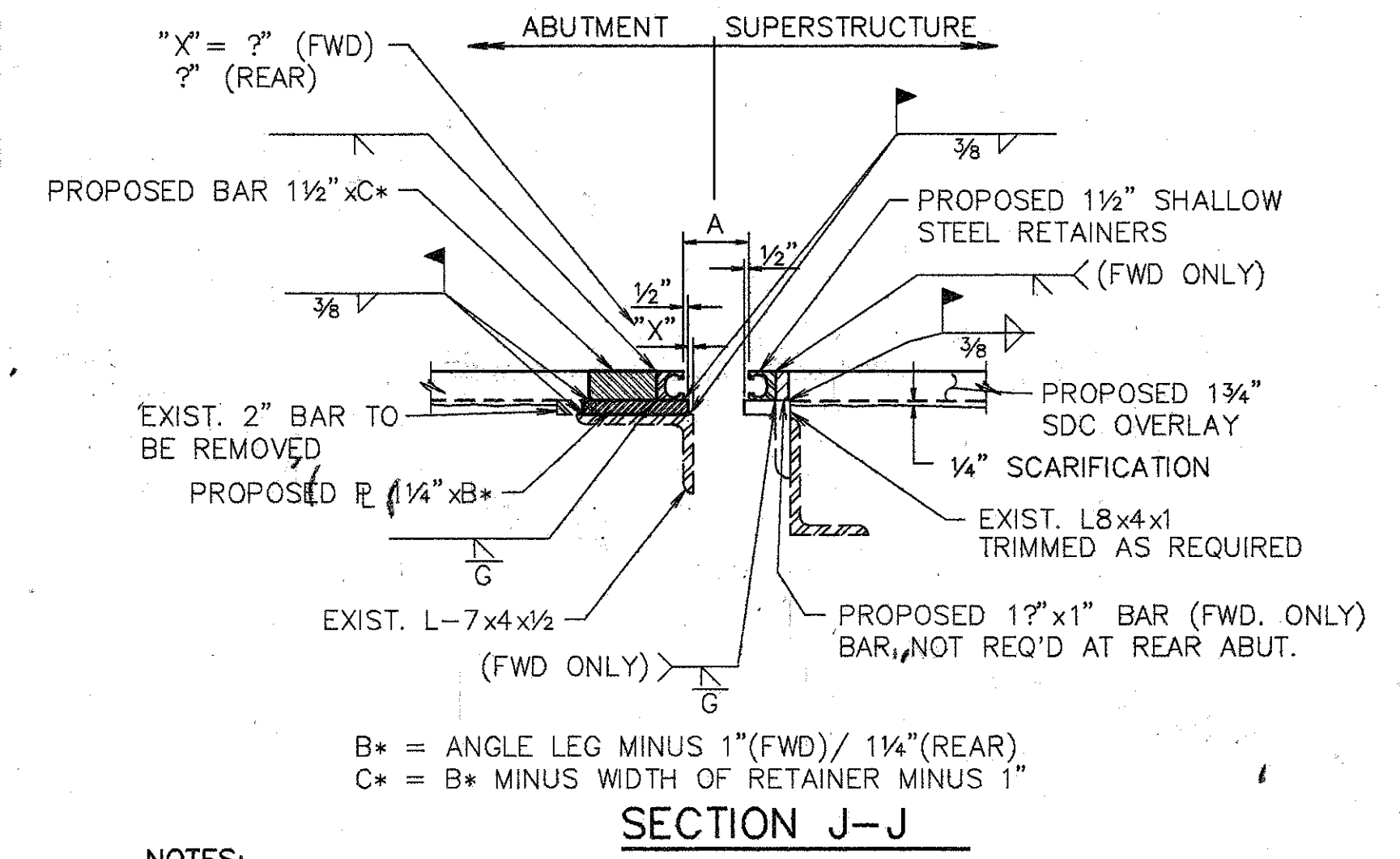
Last Plot: MAY 18, 1995 @ 8:01 AM  
 G:\STRV\9509-CV\ASL\AND\GIBBS\273.Lott Revision By: RACH OCT. 6, 1992 @ 8:30 AM

- EXIST. CURB & PARAPET TO BE REMOVED UNDER ITEM 202 - PORTIONS OF STRUCTURE REMOVED.
- EXIST. RAILING & POSTS TO BE REMOVED & STACKED NEATLY ALONG THE RIGHT-OF-WAY FOR DISPOSAL BY THE CONTRACTOR. ALL WORK SHALL BE INCLUDED IN THE PRICE BID FOR ITEM 202 - PORTIONS OF STRUCTURE REMOVED.
- xxxxxx SURFACES TO BE SEALED UNDER ITEM SPECIAL - SEALING OF CONCRETE SURFACES.
- NOTES:  
 1. PREFORMED EXPANSION JT. FILLER & SEALER AT CORNERS AND SIDES OF THE APP. SLAB SHALL BE INCLUDED IN THE PRICE BID PER SQ. YD. FOR THE APPR. SLAB.  
 2. TYPE 'A' WATERPROOFING AT THE BRIDGE LIMIT END OF THE WIDENED APPR. SLAB (AS PER STD. DWG. AS-1-81) SHALL BE INCLUDED IN THE PRICE BID FOR ITEM 611 - APPROACH SLAB.

- NOTES:  
 L DENOTES LEFT SIDE  
 R DENOTES RIGHT SIDE  
 RF DENOTES RIGHT FORWARD  
 LF DENOTES LEFT FORWARD  
 RR DENOTES RIGHT REAR  
 LR DENOTES LEFT REAR  
 NF DENOTES NEAR FACE  
 FF DENOTES FAR FACE

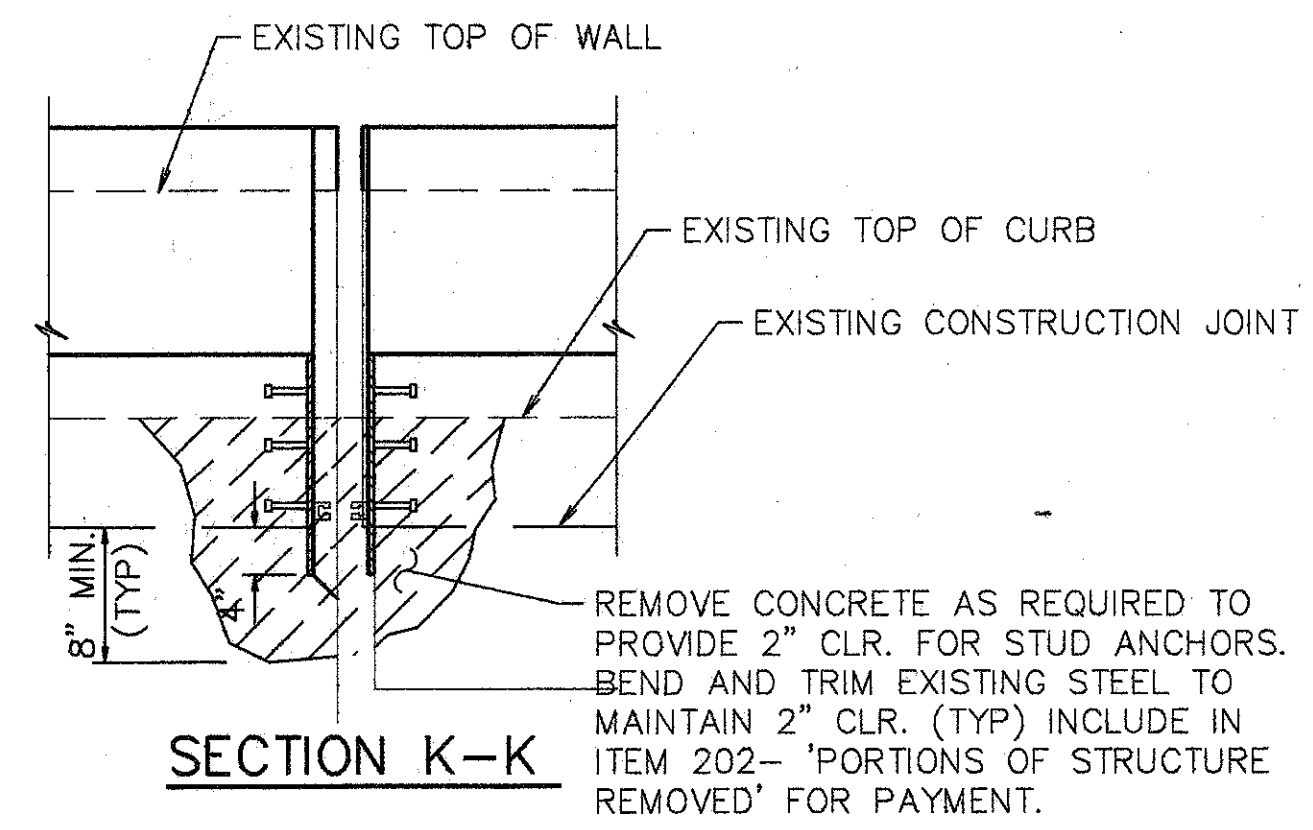
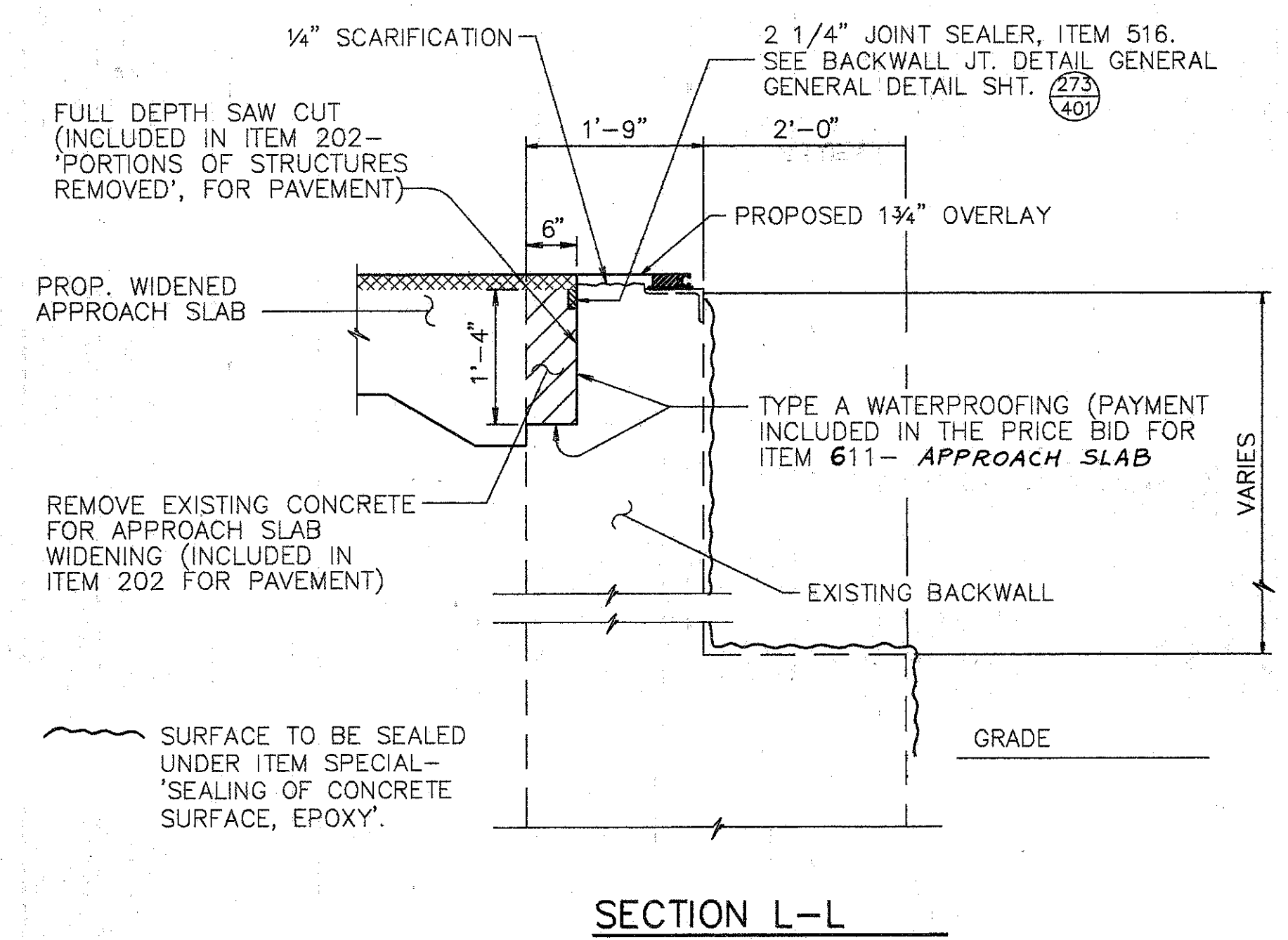


- NOTE:
- EXPANSION JT. DETAILS TO BE WORKED WITH STD. DWG. EXJ-4-87 SHTS. 1 thru 5.
  - WHEN PLATE IS RECESSED INTO ABUTMENT, CONCRETE BELOW PLATE SHALL BE SLOPED FROM BOTTOM OF THE PLATE TO THE END OF THE ABUTMENT TO DETER THE ACCUMULATION OF DEBIS.



- NOTES:
- CONTRACTOR TO VERIFY ALL DIMENSIONS PRIOR TO MODIFYING EXPANSION JOINT.
  - THE PRICE BID FOR ITEM 516-STRUCTURAL EXPANSION JOINTS, INCLUDING ELASTOMERIC STRIP SEALS, SHALL INCLUDE ALL LABOR, MATERIALS, EQUIPMENT, AND ANY OTHER INCIDENTAL ITEMS, AS DETAILED. (REMOVAL OF CURB OR PARAPET AS SHOWN SHALL BE INCLUDED UNDER ITEM 202- 'PORTIONS OF STRUCTURE REMOVED').
  - FOR DETAILS NOT SHOWN REFER TO DWG. EXJ-4-87 SHTS. 3 AND 4.

TEMPERATURE	DIM. 'A'	
	REAR	FORWARD
40° F	3 3/8"	3"
50° F	3 1/4"	2 7/8"
60° F	3"	2 3/4"
70° F	2 7/8"	2 3/4"
80° F	2 5/8"	2 3/8"
90° F	2 1/2"	2 1/2"



NOTE:  
 FOR NOTES SEE SHT. 2 / 4

**WOOLPERT CONSULTANTS**  
 409 E. MONUMENT AVENUE  
 DAYTON, OHIO 45402-1226  
 (513) 461-5660

MISCELLANEOUS DETAILS

BRIDGE NO. HAM-71-0986  
 OVER INTERSTATE ROUTE 71  
 HAMILTON COUNTY

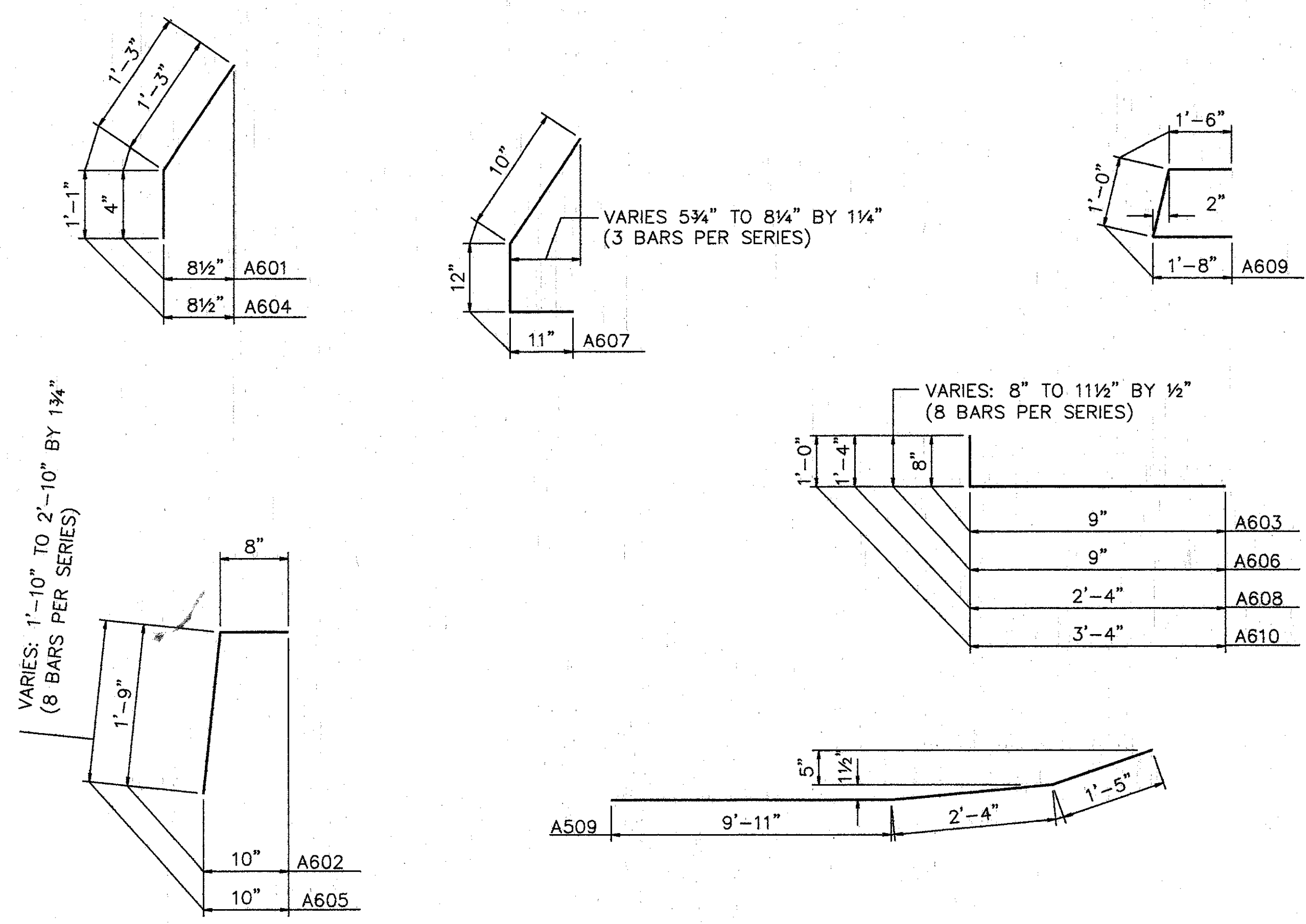
DESIGNED	DRAWN	TRACED	CHECKED	REVIEWED	DATE	REVISED
L.A.T.	L.A.P.		M.A.A.	D.E.M1	11/94	

Last Print: MAY 15, 1994 @ 8:02 PM  
 G:\STRV\16296-CO\STRV\AND\COMBES\T3.Lot4 Revision By: RACH OCT. 6, 1992 @ 12:56 PM



REINFORCING STEEL LIST				
MARK	SHAPE	NUMBER	LENGTH	WEIGHT
A501	STR.	68	30'-0"	2128
A502	STR.	2	17'-8"	37
A503	STR.	2	5'-1"	11
A504	STR.	193	14'-6"	2919
A505	STR.	2	14'-4"	30
A506	STR.	4	8'-3"	34
A507	STR.	12	5'-0"	63
A508	BNT. †	4	13'-8"	57
A509	BNT.	8	13'-8"	114
A510	STR.	4	11'-0"	46
A511	STR.	4	6'-0"	25
A512	STR.	4	4'-6"	19
A601	BNT.	876	1'-6"	1974
A602	BNT.	856	2'-5"	3111
A603	BNT.	856	1'-3"	1607
A604	BNT.	12	2'-3"	41
A605	BNT.	32	2'-6" to 3'-6"	144
A606	BNT.	32	1'-4" to 1'-8"	72
A607	BNT.	12	2'-6"	45
A608	BNT.	12	3'-6"	63
A609	BNT.	4	3'-10"	23
A610	BNT.	8	4'-2"	50
A611	STR.	4	1'-2"	7
A612	STR.	4	10"	5
REPLACEMENT STEEL				300
<b>TOTAL</b>				<b>12,925</b>

BENT BAR DETAILS



PROPOSED WORK

1. MODIFY PARAPETS ON THE SUPERSTRUCTURE & ABUTMENTS. SEAL PARAPETS AS SHOWN ON PLANS. (INSTALL PLATES FOR STRIP SEAL EXP. JT.).
2. SCARIFY EXISTING DECK 1/4", AND REMOVE DETERIORATED CONCRETE AS DIRECTED BY THE ENGINEER.
3. REFURBISH ALL ABUTMENT BEARINGS.
4. PLACE 1 3/4" THICK **LATEX** MODIFIED CONCRETE ON DECK AND APPROACH SLABS.
5. SEAL PARAPETS, PIERS, AND BACKWALL.
6. SEAL JOINTS, AS NOTED.
7. SEAL EXPANSION JOINT WITH STRIP SEAL.
8. REPLACE GUARDRAIL AS SHOWN ON ROADWAY PLANS.
9. TRIM BEAM ENDS TO 2" CLEARANCE (OR AS CLOSE TO 2" AS POSSIBLE).
10. EXTEND SCUPPERS.
11. PAINT EXISTING STEEL STRUCTURE.
12. AT LEAST ONE LANE OF TRAFFIC SHALL BE MAINTAINED ON THE BRIDGE AT ALL TIMES. FOR NOTES SEE MAINTAINANCE OF TRAFFIC PLANS.
13. OTHER WORK AS DESCRIBED IN THESE PLANS.

ITEM	ITEM EXT.	TOTAL	UNITS	DESCRIPTION
202	11200	LUMP SUM	L.S.	PORTIONS OF STRUCTURE REMOVED
509	15820	12925	LBS.	EPOXY COATED REINFORCING STEEL, GRADE 60
511	34450	8	C.Y.	CLASS S CONCRETE, MISC.: ABUTMENT PARPETS
SPECIAL	51267500	140	S.Y.	SEALING OF CONCRETE SURFACE *
SPECIAL	51267502	92	S.Y.	SEALING OF CONCRETE SURFACE (EPOXY) *
513	21000	2	EACH	TRIMMING OF BEAM END
SPECIAL	51400050	24,900	S.F.	SURFACE PREPARATION OF EXIST. STEEL, SYSTEM OZEU *
SPECIAL	51400056	24,900	S.F.	FIELD PAINTING OF EXIST STEEL, PRIME COAT, SYSTEM OZEU *
SPECIAL	51400060	24,900	S.F.	FIELD PAINTING OF EXIST STEEL, INTERMEDIATE COAT, SYSTEM OZEU *
SPECIAL	51400066	24,900	S.F.	FIELD PAINTING OF EXIST STEEL, FINISH COAT, SYSTEM OZEU *
SPECIAL	51400504	100	MAN HOUR	GRINDING FINS, TEARS, AND SLIVERS *
SPECIAL	51400508	2672	L.F.	GRINDING FLANGE EDGES *
516	10000	79	L.F.	PREFORMED ELASTOMERIC COMPRESSION JOINT SEAL (705.11)
516	11210	83	L.F.	STRUCTURAL EXP. JT., INCLUDING ELASTOMERIC STRIP SEAL
516	45304	8	EACH	REFURBISH BEARING DEVICE
517	76201	976	L.F.	RAILING FACED, AS PER PLAN (32" HIGH)
518	63300	LUMP	L.S.	SCUPPER AND DRAINAGE PIPE CLEANOUT
518	12700	12	EACH	SCUPPER, VERTICAL EXTENSION
518	12800	6	EACH	SCUPPER MODIFICATION
SPECIAL	51912600	23	L.F.	CONCRETE REPAIR BY EPOXY INJECTION *
519	11100	5	S.F.	PATCHING CONCRETE STRUCTURE
625				FOR LIGHTING SUMMARY SEE LIGHTING PLANS.
845	40210	1420	S.Y.	<b>LATEX</b> MODIFIED CONCRETE, <sup>MISC.</sup> OVERLAY (1 1/4" THICK) ON EXISTING DECK
845	11000	56	C.Y.	<b>LATEX</b> MODIFIED CONCRETE OVERLAY (VARIABLE THICKNESS)
845	30000	1	C.Y.	FULL DEPTH REPAIR

\* SEE PROPOSAL NOTE

**WOOLPERT CONSULTANTS**  
 409 E. MONUMENT AVENUE  
 DAYTON, OHIO 45402-1226  
 (513) 461-5660

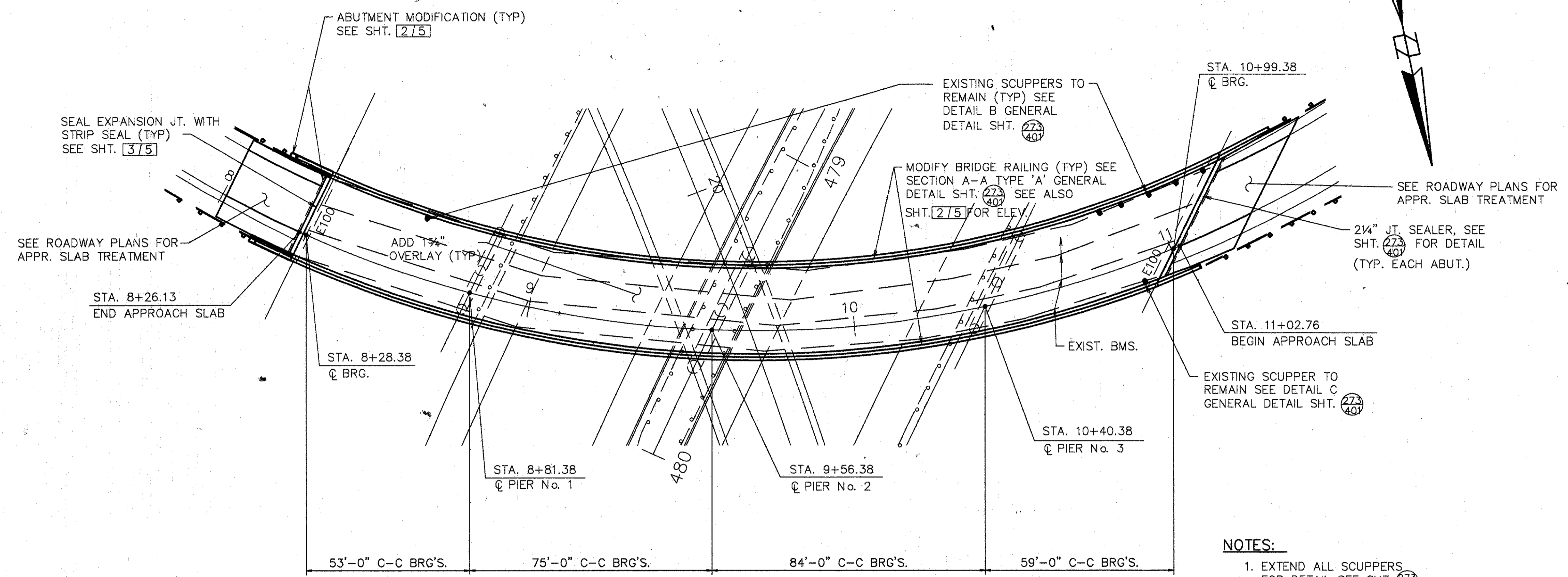
4 / 4

**QUANTITIES AND GENERAL NOTES**

BRIDGE NO. HAM-71-0986  
 OVER INTERSTATE ROUTE 71  
 HAMILTON COUNTY

DESIGNED	DRAWN	TRACED	CHECKED	REVIEWED	DATE	REVISED
L.A.T.	L.A.P.		M.A.A.	D.E.M11/11/94		

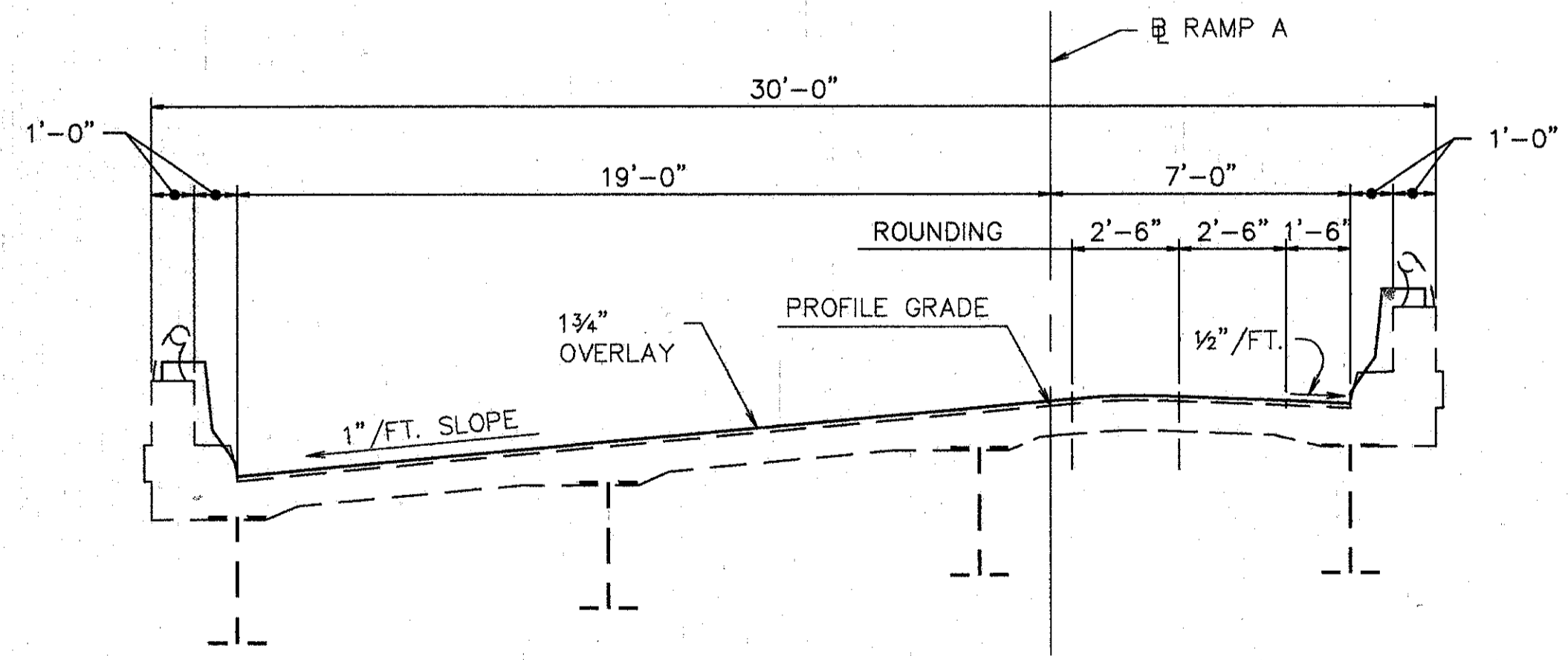
Lot Plot MAY 15, 1991 @ 6:04 PM  
 G:\STR\16599-00\SHR\AND\08658114.Lotl Revision By: RACH OCT. 6, 1992 @ 1:15 PM



PLAN

NOTES:

1. EXTEND ALL SCUPPERS FOR DETAIL SEE SHT. 273/401
2. SEAL PARAPETS, BACKWALL, & PIERS. SEAL ALL OF PIERS EXCEPT TOP OF PIER CAP. SEALING PIER 2 COLUMNS ABOVE TOP OF CONCRETE PIER CAP IS INCLUDED IN IN BRIDGE HAM-71-0987 FOR PAYMENT.
3. SEE JUNCTION BOX EXTENSION DTL., GENERAL DTL. SHT. 273/401 FOR BARRIER RETROFIT AT JUNCTION BOXES.
4. PAINT EXIST. STEEL STRUCTURE, INCLUDING BEARINGS, WITH SYSTEM OZEU.



TYP. BRIDGE SECTION

SLIDING R SIZE	JACK CAPACITY REQ'D. (MIN)
E100	75 TON

EXISTING STRUCTURE

TYPE: CONTINUOUS STEEL BEAM WITH REINFORCED CONCRETE DECK & SUBSTRUCTURE  
 SPANS: 53'-0", 75'-0", 84'-0", & 59'-0"  
 ROADWAY: 28'-0" F/F PARAPET  
 SKEW: 24'-15'-12" LT. FORWARD  
 LOADING FREQUENCY: C.F.=400 (57)  
 WEARING SURFACE: 1" MONOLITHIC CONCRETE  
 APPROACH SLABS: AS-1-54 (25'-0" LONG)  
 ALIGNMENT: 17'-0" HORIZ. CURVE TO THE LEFT  
 SUPERELEVATION: 1" / FT.  
 CURB: 1'-0" EACH SIDE

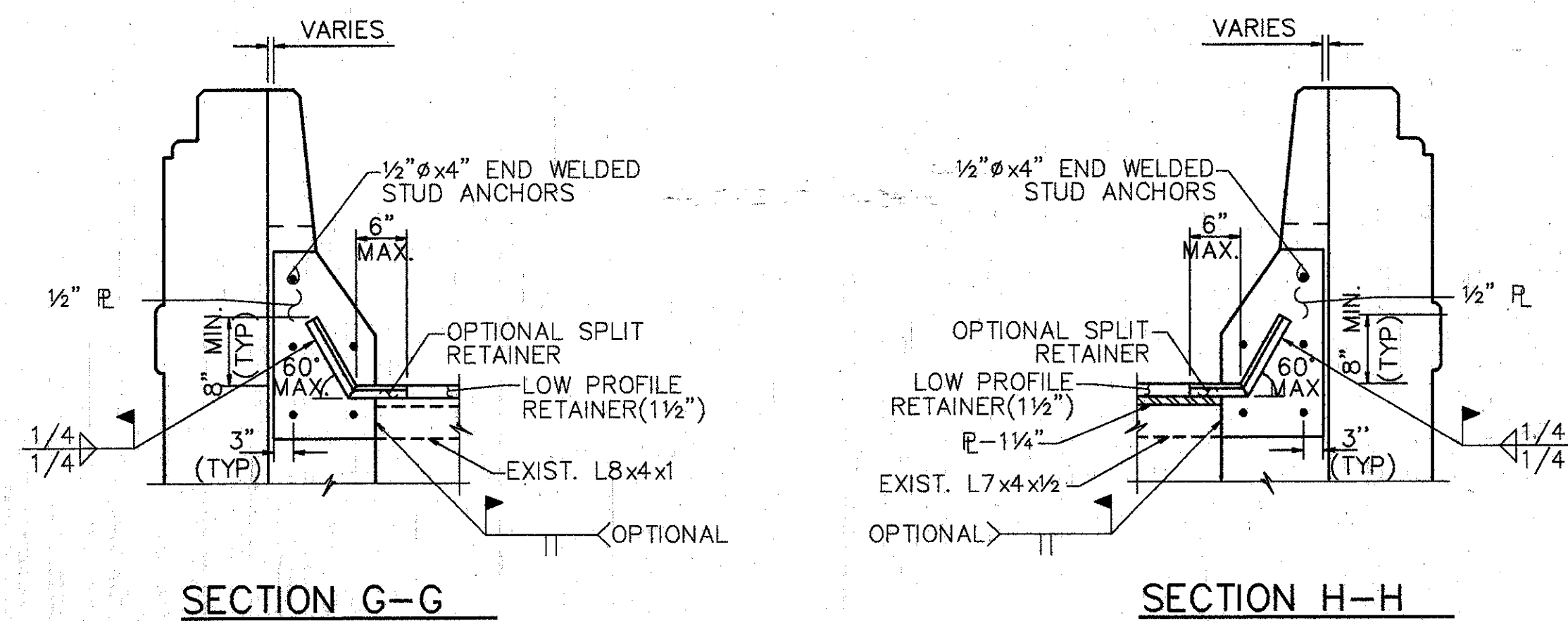
	<b>WOOLPERT CONSULTANTS</b> 409 E. MONUMENT AVENUE DAYTON, OHIO 45402-1226 (513) 461-5660	1 / 5
	<b>GENERAL PLAN</b>	
	BRIDGE NO. HAM-71-0987 OVER I-71 HAMILTON COUNTY	

DESIGNED	DRAWN	TRACED	CHECKED	REVIEWED	DATE	REVISED
L.A.T.	L.A.P.		M.A.A.	D.E.M11/11/94		

Last File: M11 11 94 11:15 AM  
 G:\STN\1029-03\71-0987\Lot\Revision B.dwg  
 D.E.E. SPT. 22 1992 @ 6:30 AM

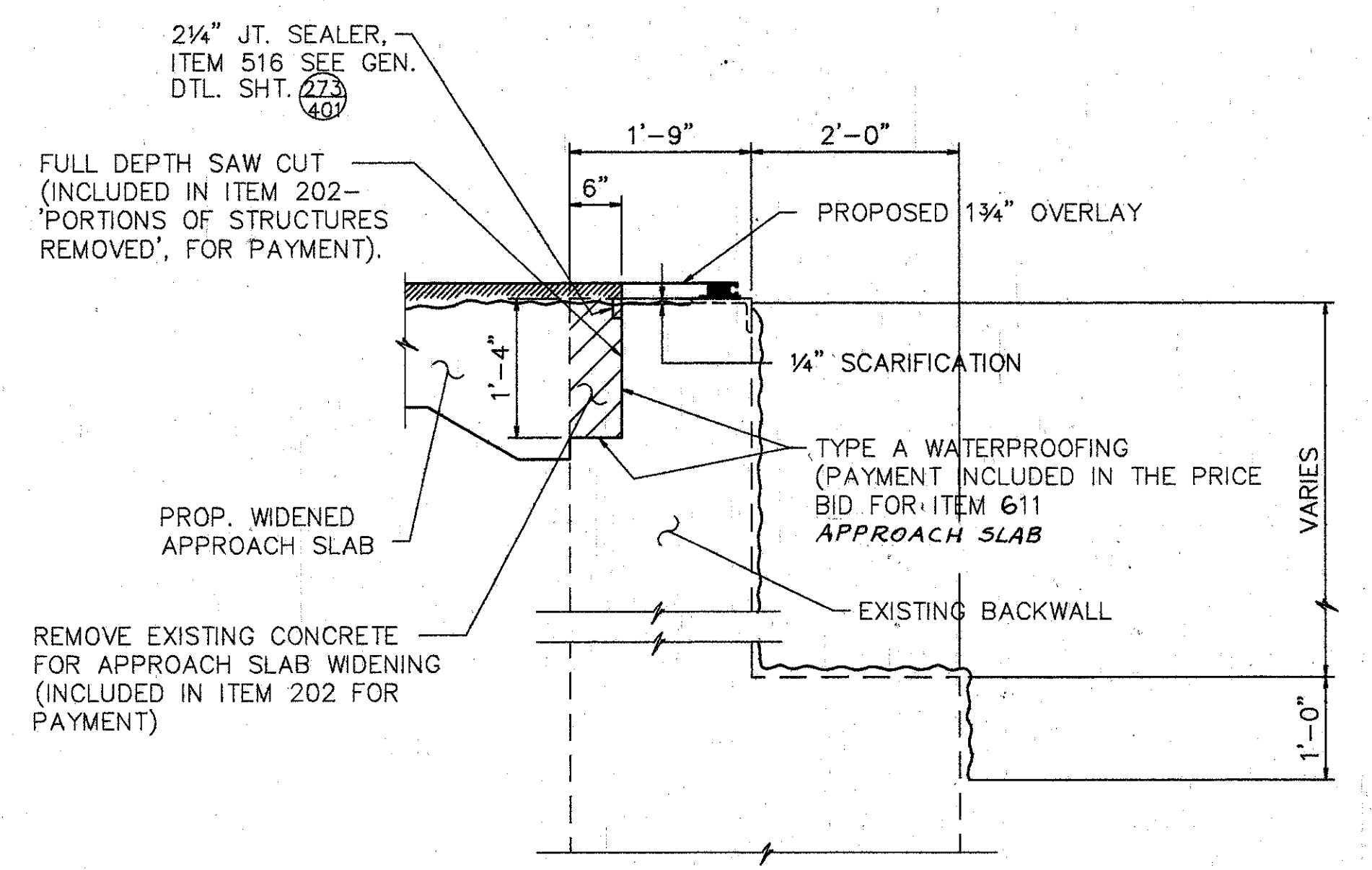






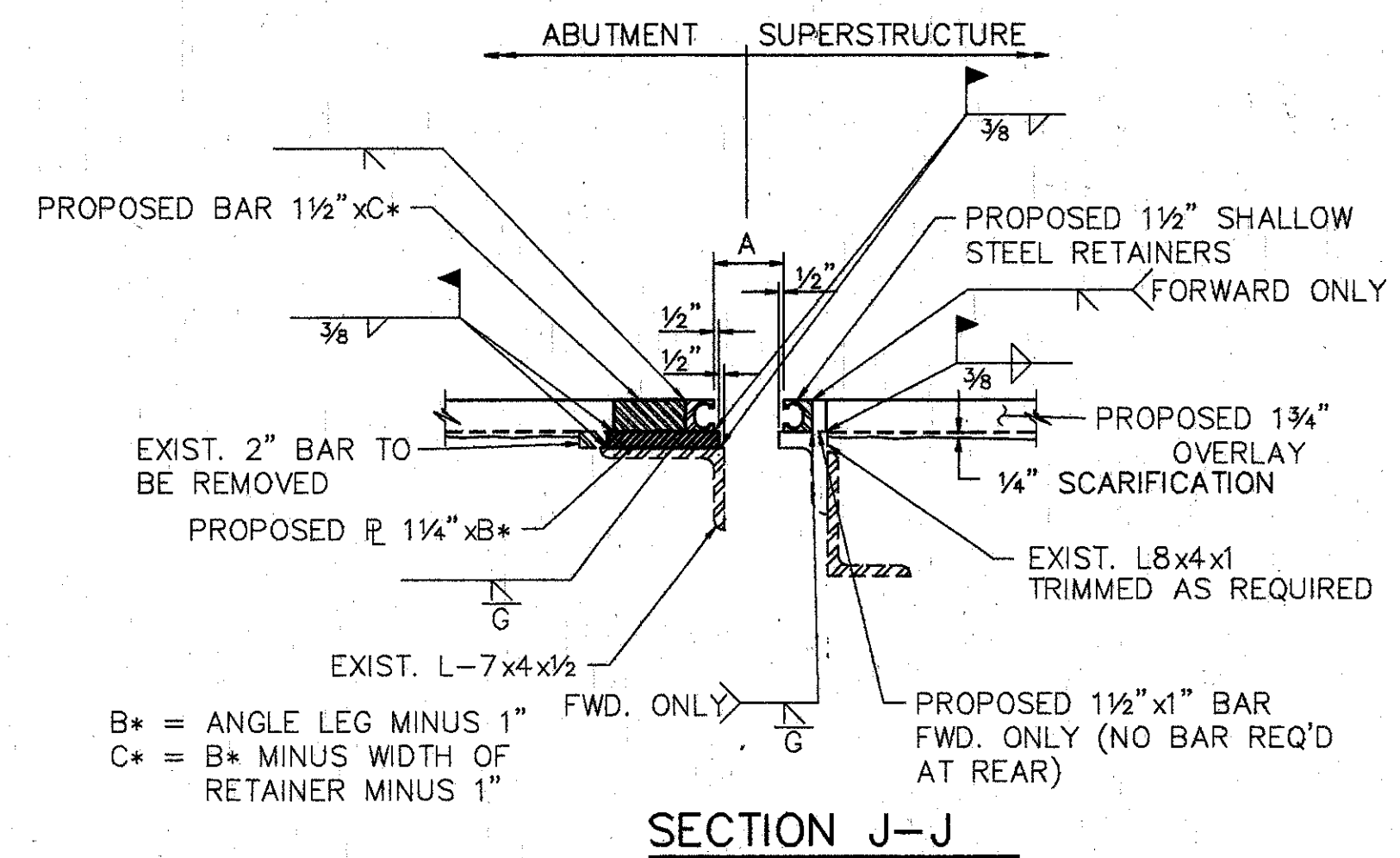
**NOTE:**

- EXPANSION JT. DETAILS TO BE WORKED WITH STD. DWG. EXJ-4-87 SHTS. 1 thru 5.
- WHEN PLATE IS RECESSED INTO ABUTMENT, CONCRETE BELOW PLATE SHALL BE SLOPED FROM BOTTOM OF THE PLATE TO THE END OF THE ABUTMENT TO DETER THE ACCUMULATION OF DEBIS.



**SECTION P-P**

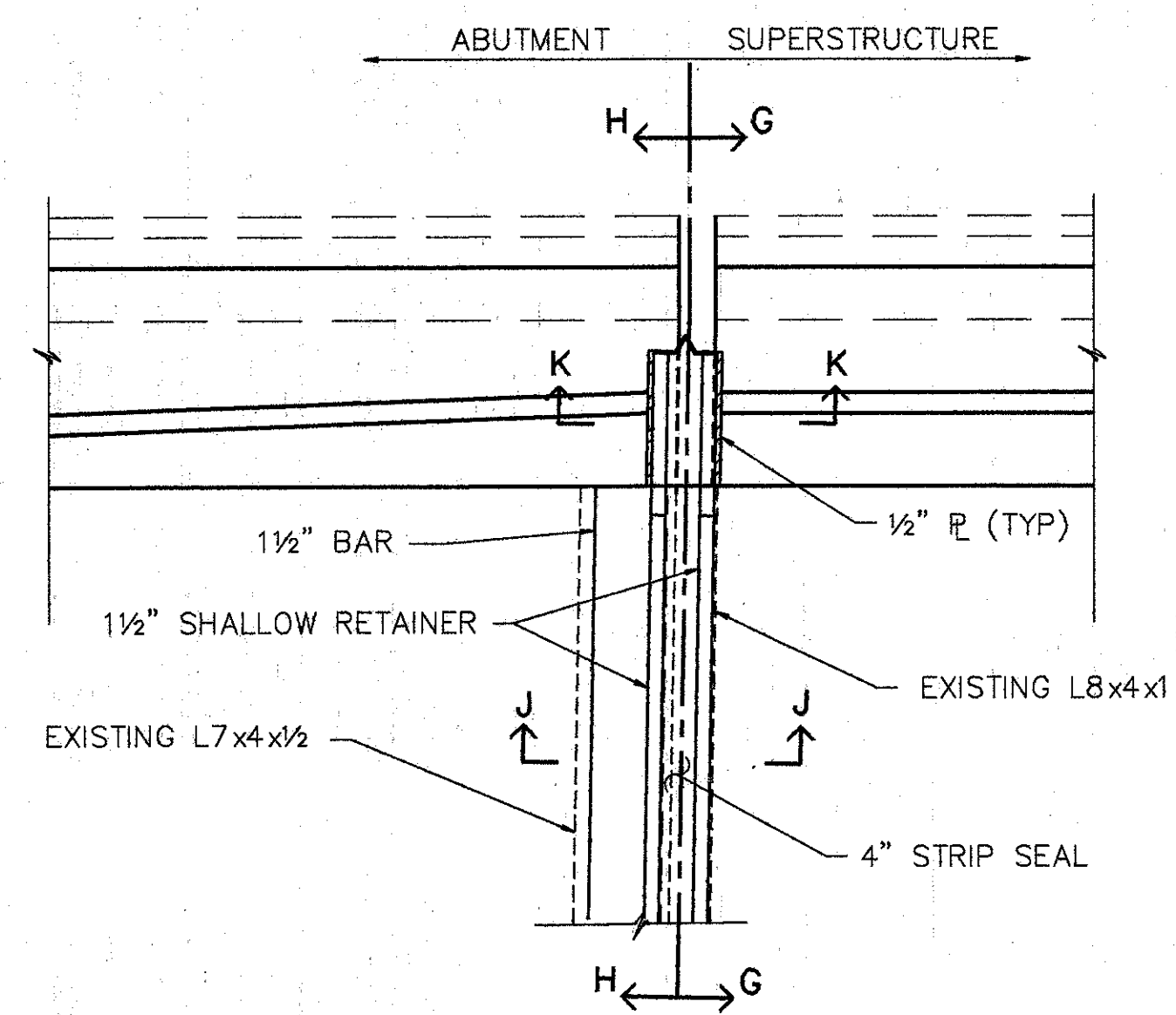
SURFACE TO BE SEALED UNDER ITEM SPECIAL- 'SEALING OF CONCRETE SURFACE, EPOXY'.



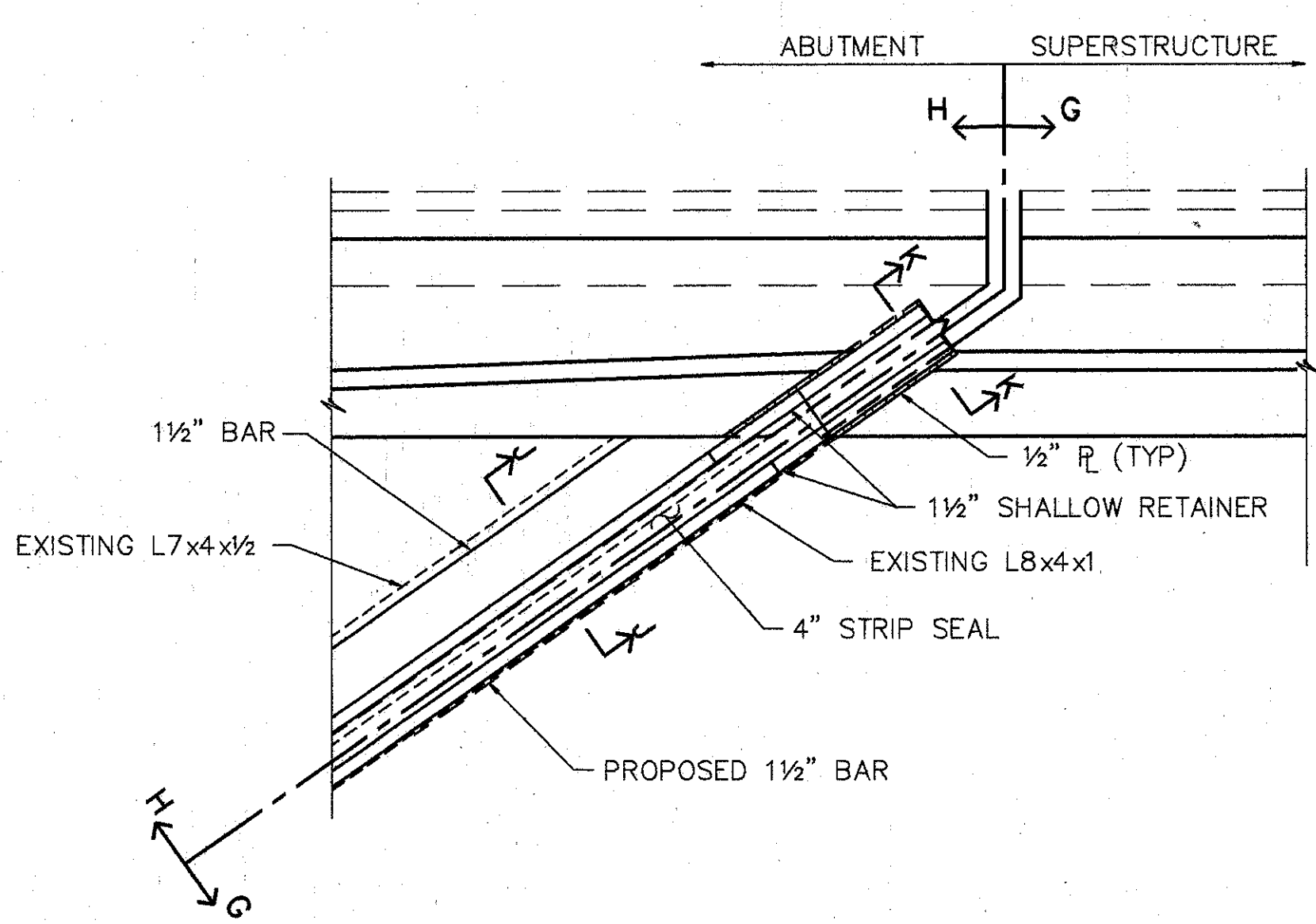
**NOTES:**

- CONTRACTOR TO VERIFY ALL DIMENSIONS PRIOR TO MODIFYING EXPANSION JOINT.
- THE PRICE BID FOR ITEM 516- 'STRUCTURAL EXPANSION JOINTS, INCLUDING ELASTOMERIC STRIP SEALS, SHALL INCLUDE ALL LABOR, MATERIALS, EQUIPMENT, AND ANY OTHER INCIDENTAL ITEMS, AS DETAILED. (REMOVAL OF CURB OR PARAPET AS SHOWN SHALL BE INCLUDED UNDER ITEM 202- 'PORTIONS OF STRUCTURE REMOVED').
- FOR DETAILS NOT SHOWN REFER TO DWG. EXJ-4-87 SHTS. 3 AND 4.

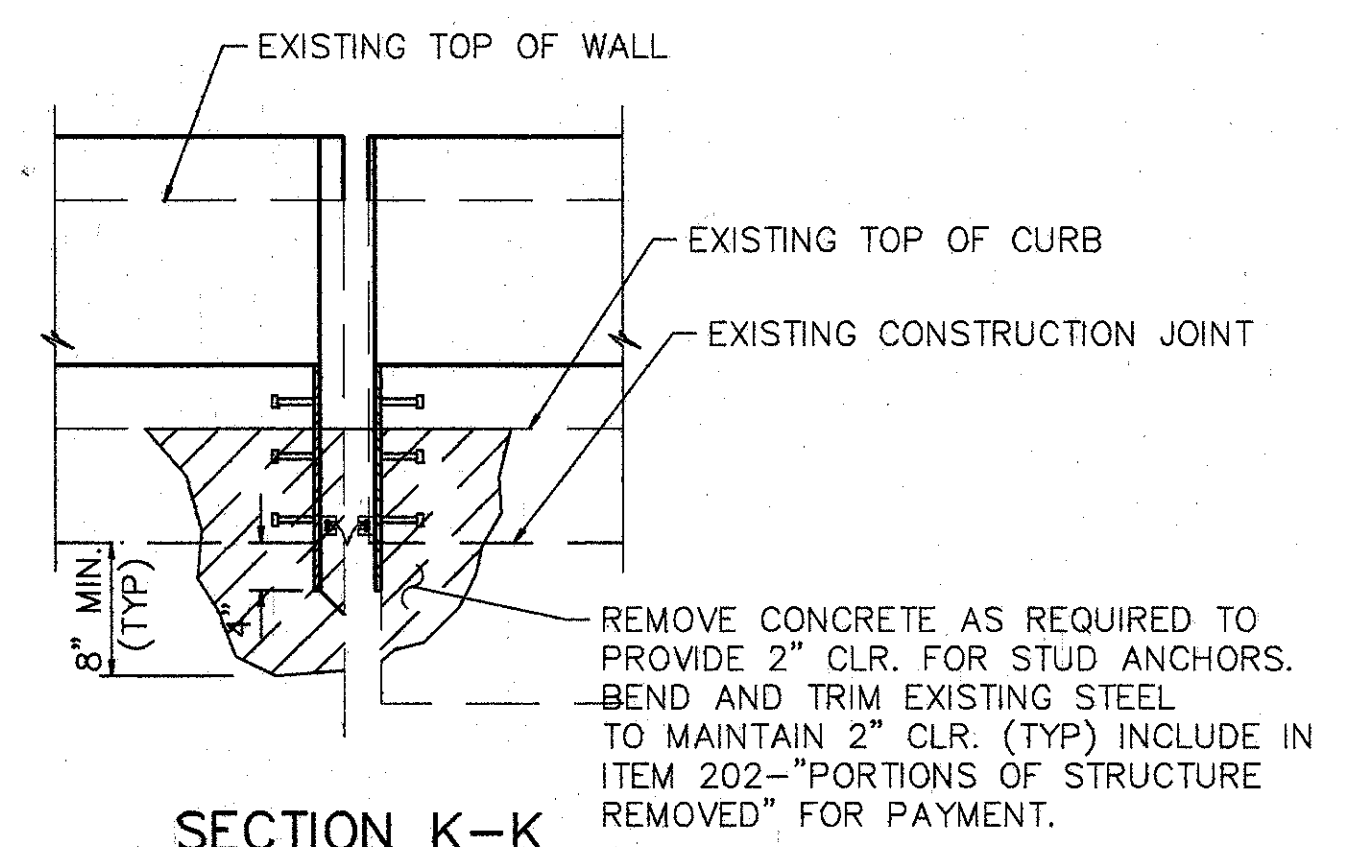
TEMPERATURE	DIM. 'A'
40° F	3"
50° F	2 7/8"
60° F	2 3/4"
70° F	2 3/4"
80° F	2 5/8"
90° F	2 1/2"



**PART PLAN - REAR ABUTMENT (RIGHT)**  
(LEFT OPPOSITE HAND)



**PART PLAN - FORWARD ABUTMENT (RIGHT)**  
(LEFT OPPOSITE HAND)



**SECTION K-K**

SEE NOTES ON SHEET [2/5].

**WOOLPERT CONSULTANTS**  
 409 E. MONUMENT AVENUE  
 DAYTON, OHIO 45402-1226  
 (513) 461-5660

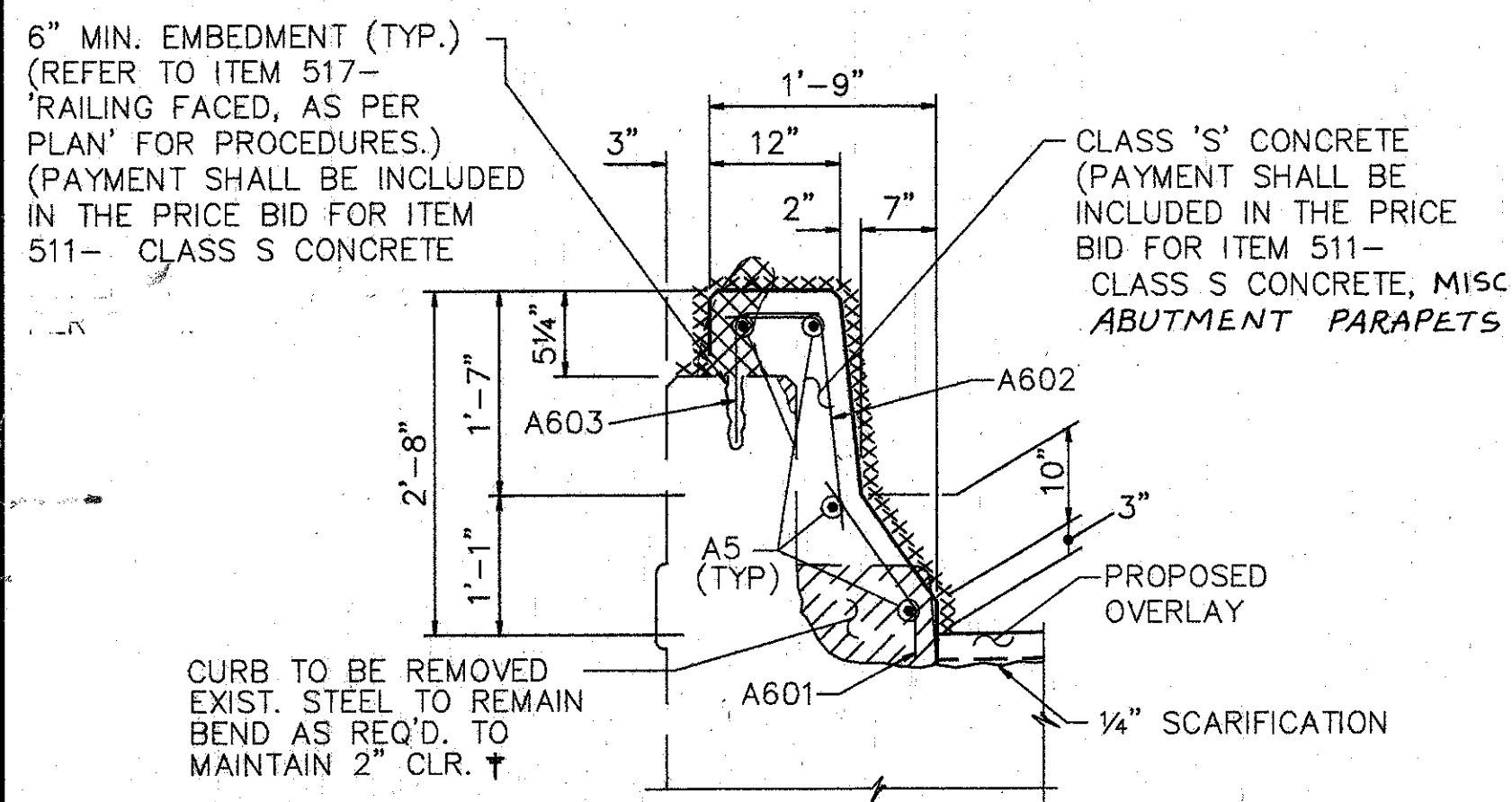
BRIDGE NO. HAM-71-0987  
 OVER I-71  
 HAMILTON COUNTY

DESIGNED: L.A.T.    DRAWN: L.A.P.    TRACED:    CHECKED: M.A.A.    REVIEWED: D.E.M11/11/94    DATE:    REVISED:

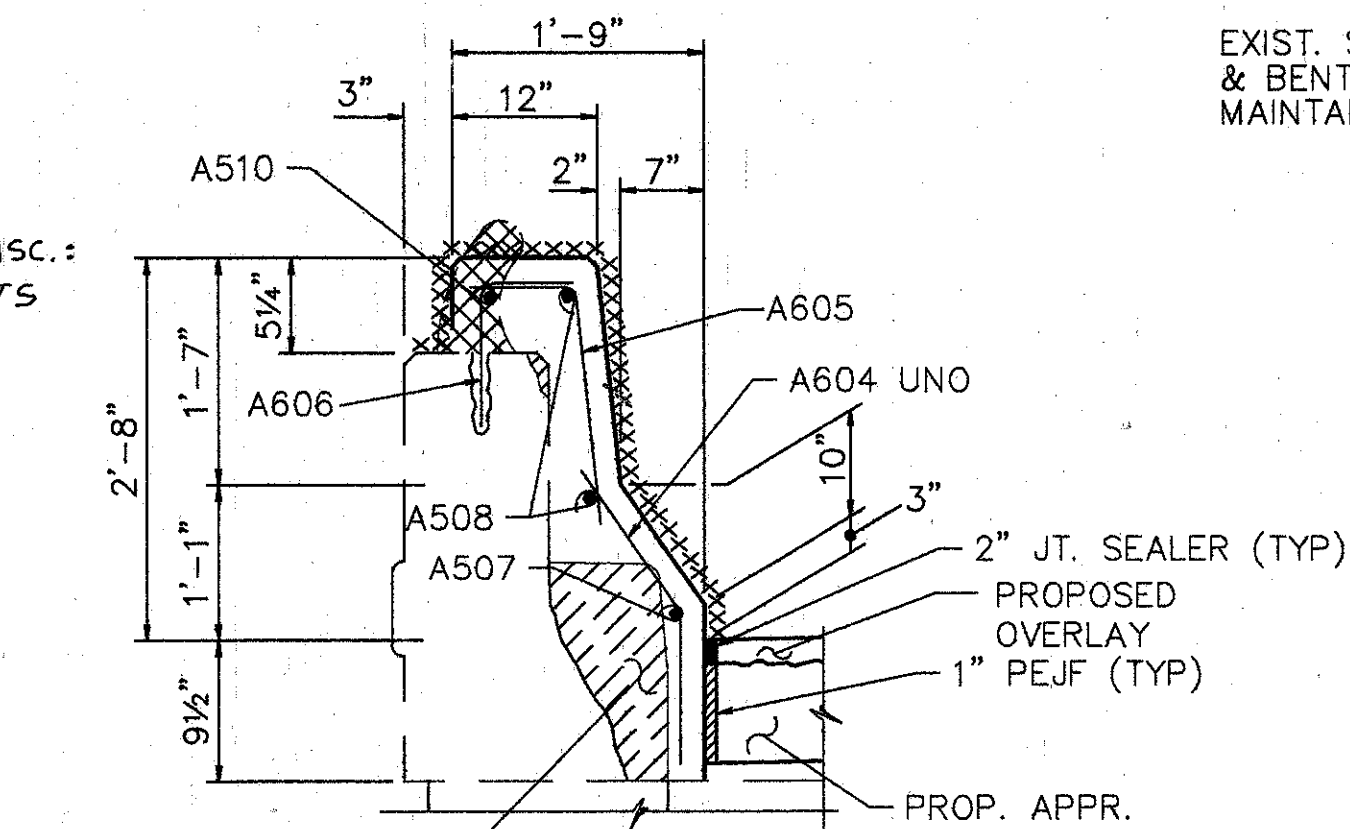
MISCELLANEOUS DETAILS  
 3 / 5

Lett Plot: MAY 15, 1994 @ 8:10 PM  
 C:\310987\310987-03\310987-03.dwg  
 OCT 1, 1992 @ 1:32 PM

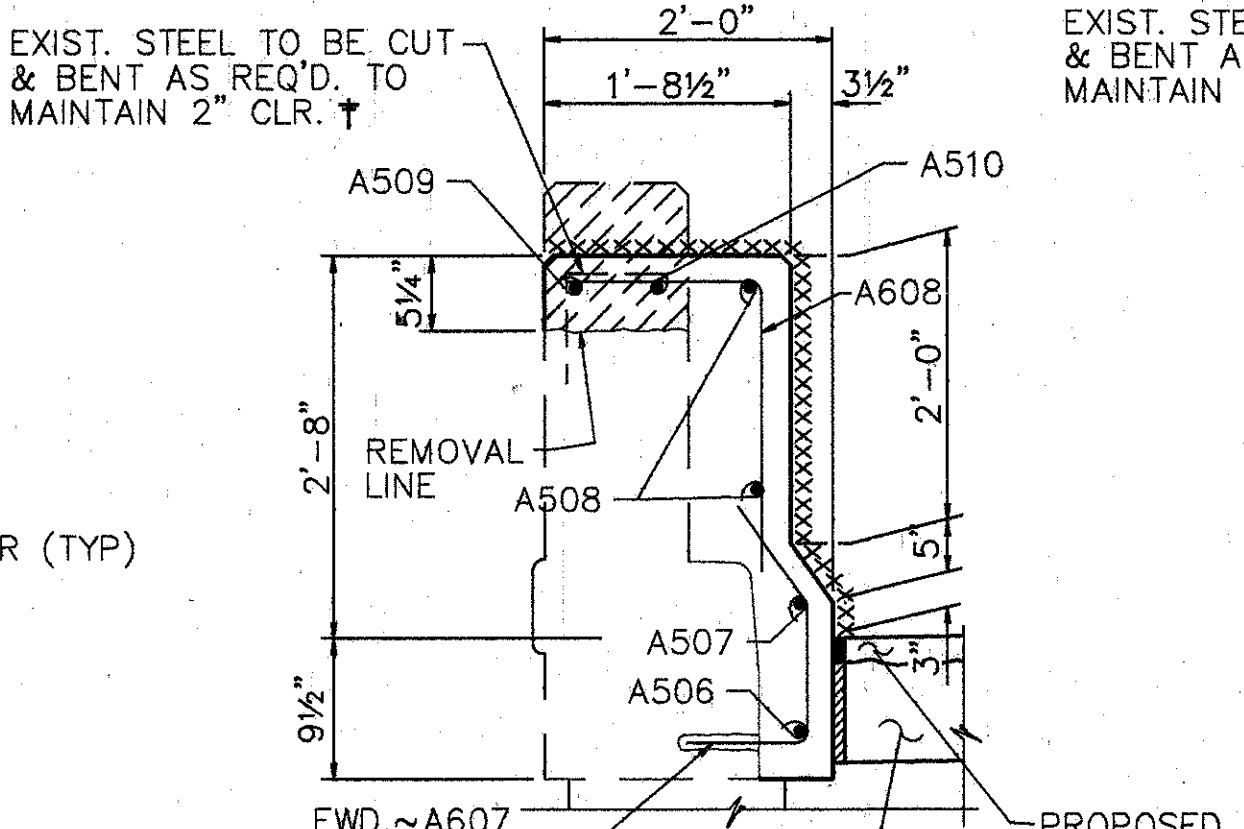




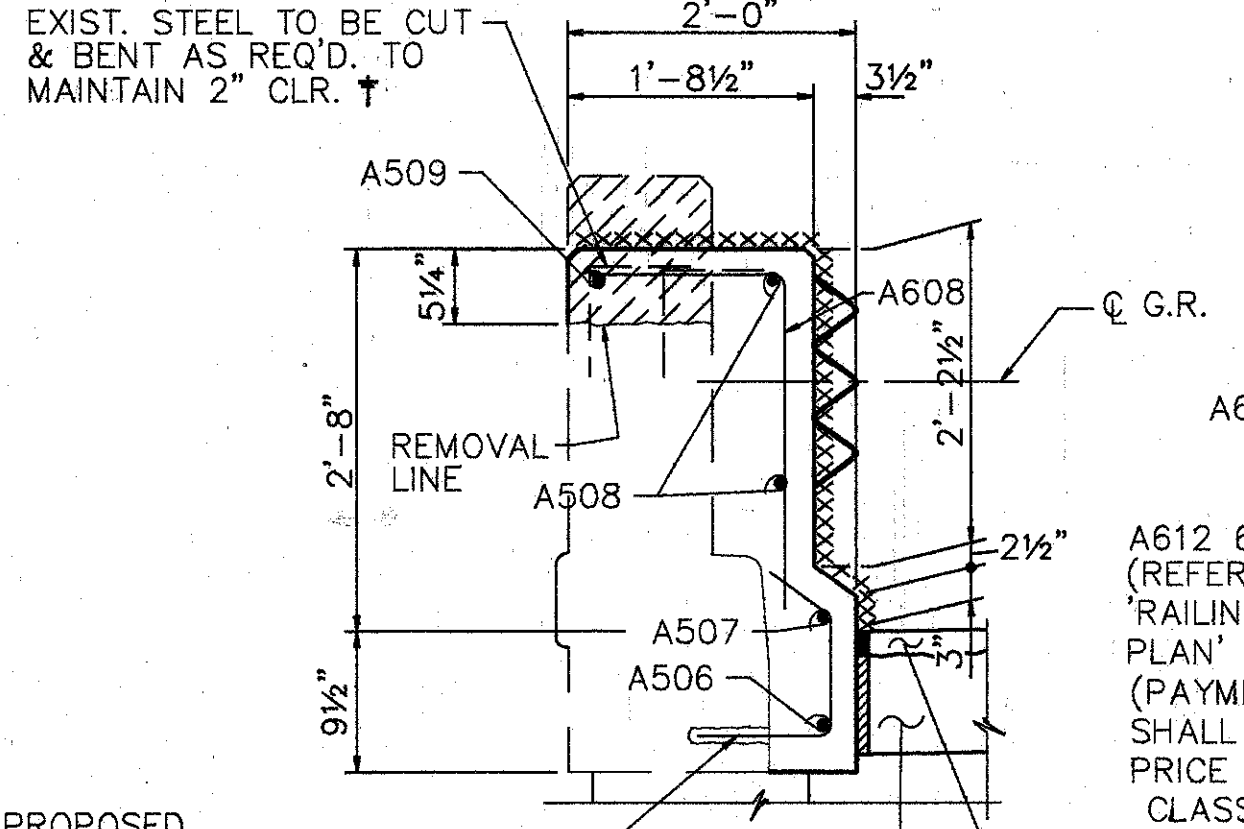
SECTION B-B



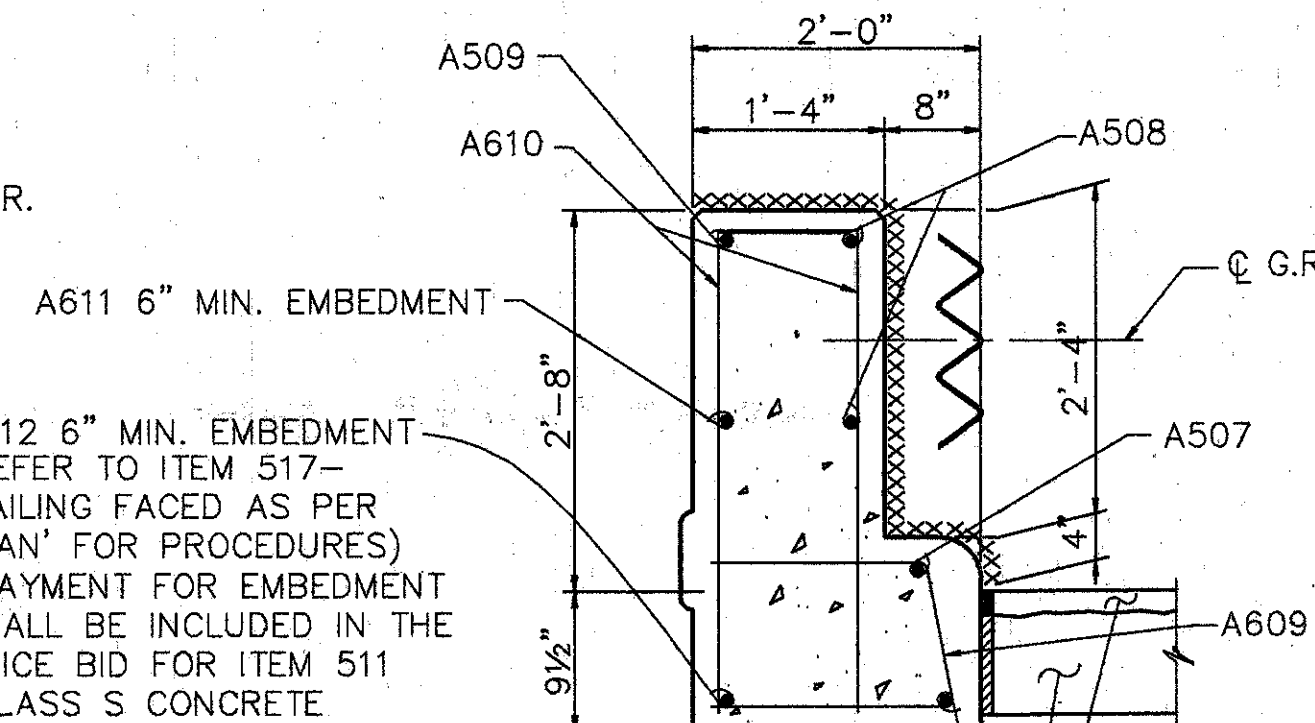
SECTION C-C



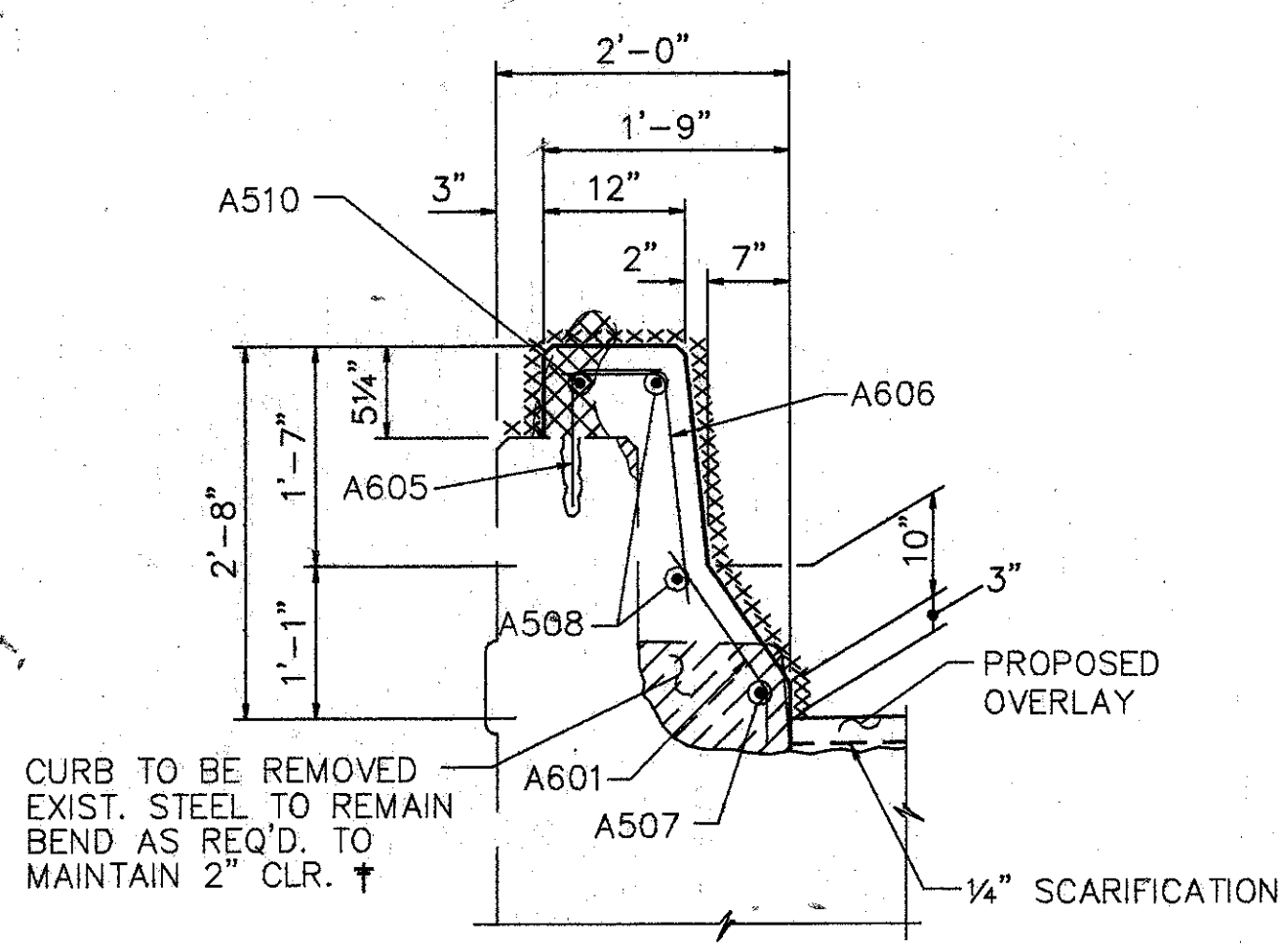
SECTION D-D



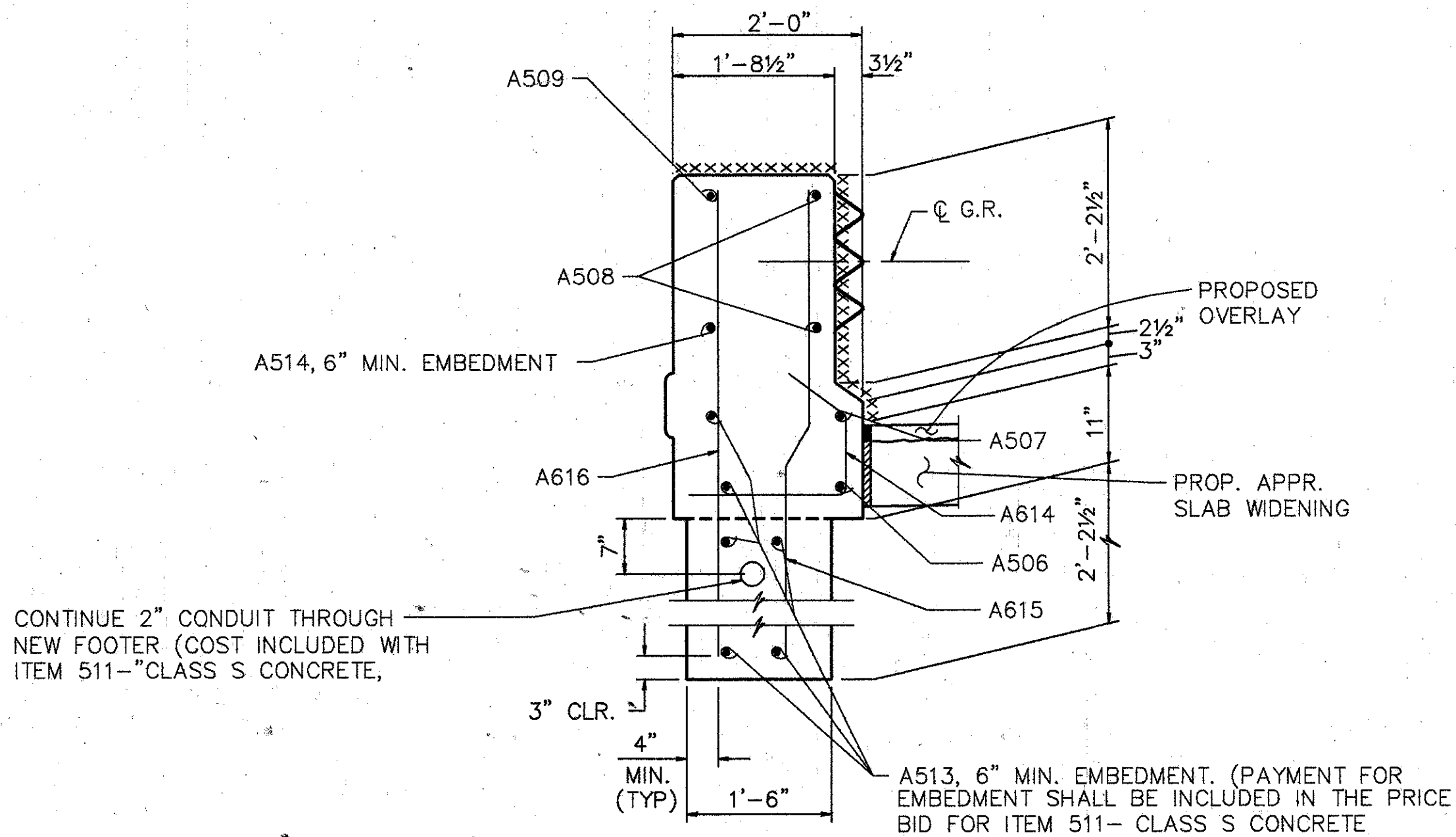
SECTION E-E



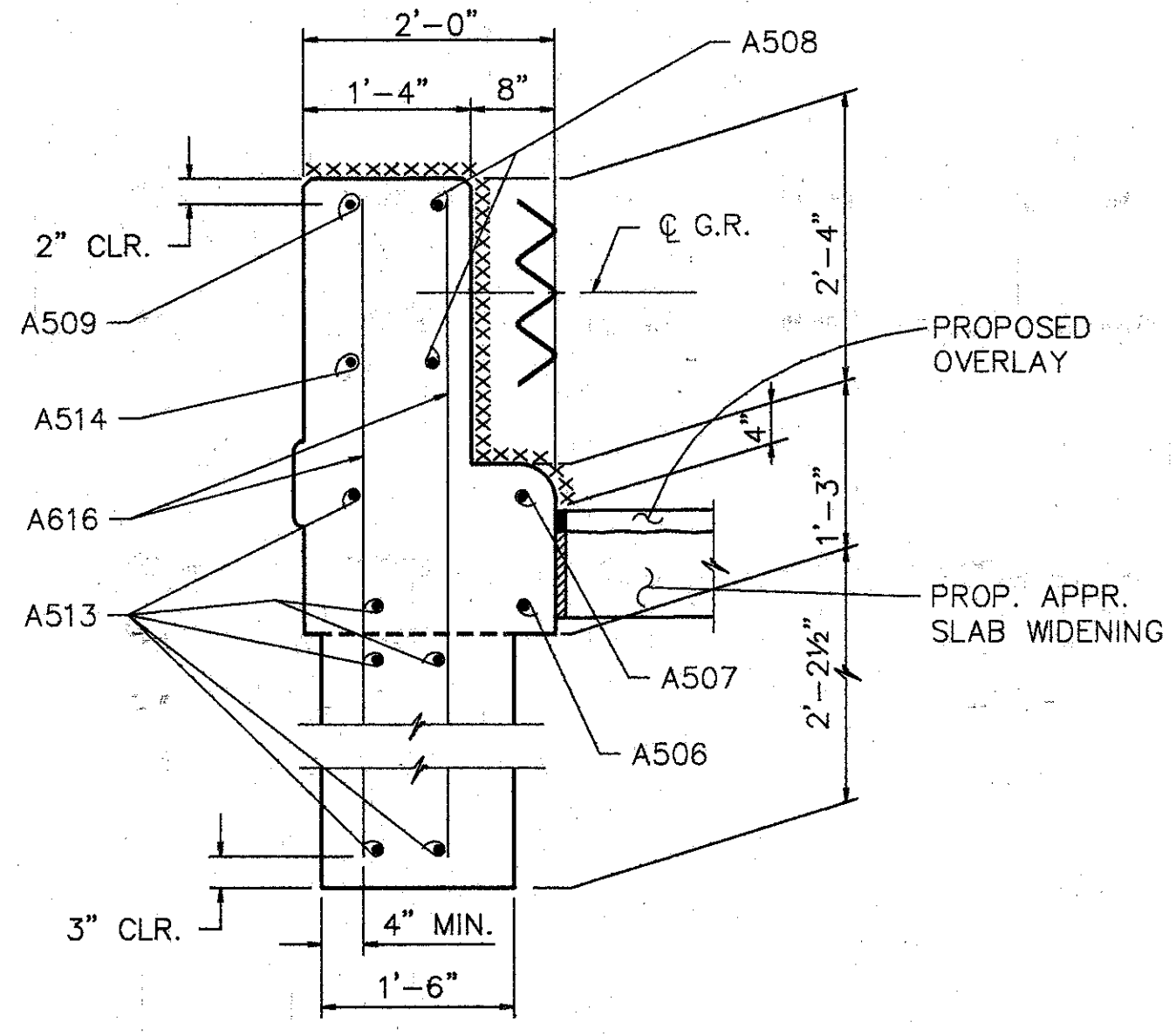
SECTION F-F



SECTION L-L



SECTION M-M



SECTION N-N

† BARS SHALL REMAIN. CONTRACTOR SHALL EXERCISE CAUTION TO INSURE THAT THESE BARS ARE NOT DAMAGED DURING THE CONCRETE REMOVAL OPERATION. ANY BARS DAMAGED AS A RESULT OF THE CONTRACTOR'S OPERATION SHALL BE REPLACED OR REPAIRED BY THE CONTRACTOR AT HIS EXPENSE. METHOD OF REPAIR OR REPLACEMENT WILL BE AT THE DISCRETION OF THE DIRECTOR.

EXISTING CURB AND PARAPET TO BE REMOVED UNDER ITEM 202-PORIONS OF STRUCTURE REMOVED.

EXISTING RAILING & POSTS TO BE REMOVED & STACKED NEATLY ALONG THE RIGHT OF WAY FOR DISPOSAL BY THE CONTRACTOR. ALL WORK SHALL BE INCLUDED IN THE PRICE BID FOR ITEM 202-PORIONS OF STRUCTURE REMOVED.

\*\*\*\*\* SURFACES TO BE SEALED UNDER ITEM SPECIAL-SEALING OF CONCRETE SURFACES.

- NOTES:
1. PREFORMED EXPANSION JOINT FILLER AND SEALER AT CORNERS AND SIDES OF THE APPROACH SLAB SHALL BE INCLUDED IN THE PRICE BID PER SQ. YD. FOR THE APPROACH SLAB.
  2. TYPE A WATERPROOFING AT THE BRIDGE LIMIT END OF THE WIDENING APPROACH SLAB (AS PER STD. DWG. AS-1-81) SHALL BE INCLUDED IN THE PRICE BID FOR ITEM 611- APPROACH SLAB

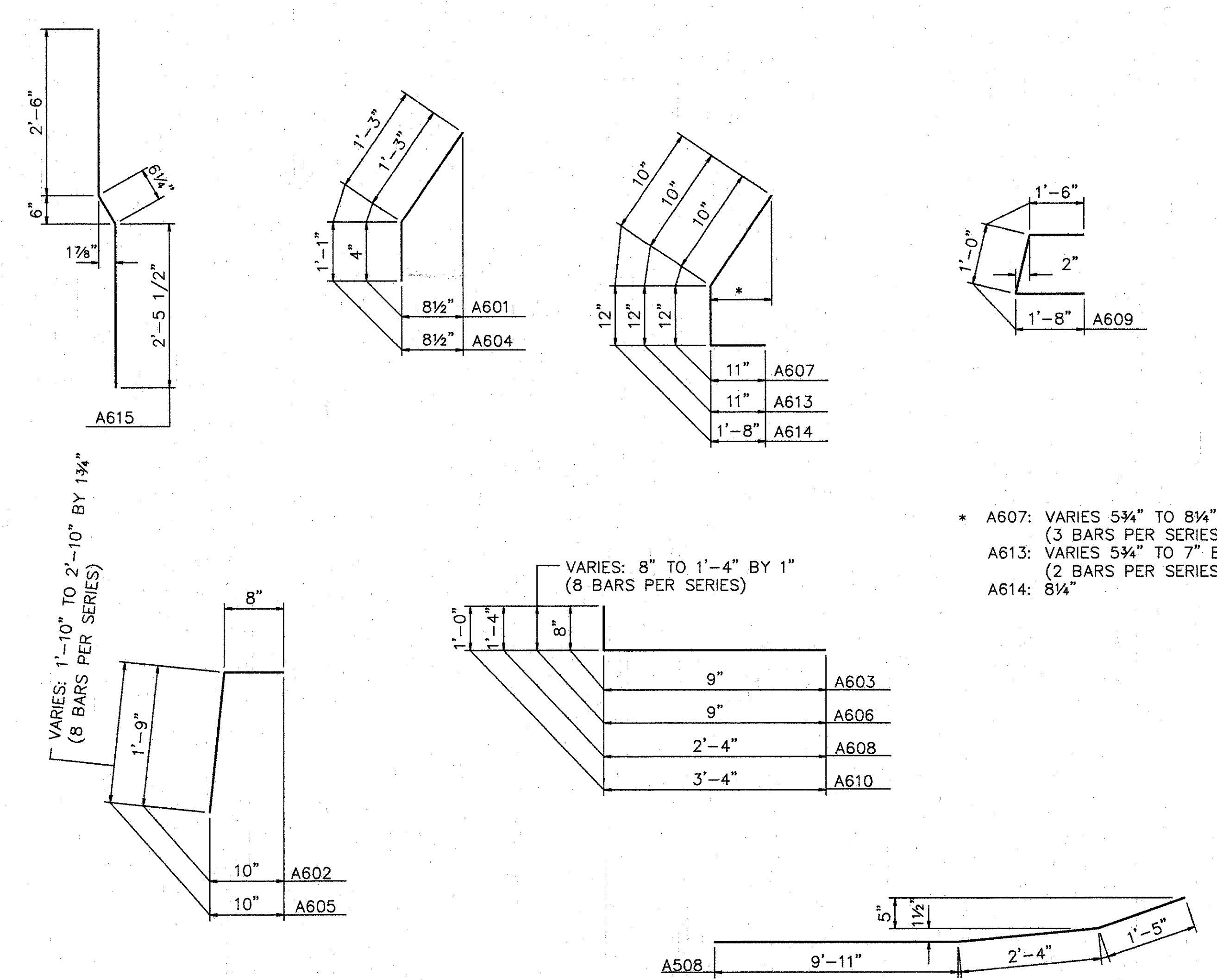
**WOOLPERT CONSULTANTS**  
 409 E. MONUMENT AVENUE  
 DAYTON, OHIO 45402-1226  
 (513) 461-5660

PARAPET SECTIONS AND DETAILS						
BRIDGE NO. HAM-71-0987 OVER 1-71						
HAMILTON COUNTY						
DESIGNED	DRAWN	TRACED	CHECKED	REVIEWED	DATE	REVISED
L.A.T.	L.A.P.		M.A.A.	D.E.M11/11/94		

Last Pk. MAY 15, 1991 @ 8:11 PM  
 G:\VTR\6598-03\087514 Last Revision By: D.E.E. SEPT. 15, 1992 @ 2:00 PM

REINFORCING STEEL LIST				
MARK	SHAPE	NUMBER	LENGTH	WEIGHT
PARAPETS				
A501	STR.	36	30'-0"	1126
A502	STR.	2	27'-0"	56
A503	STR.	2	19'-10"	41
A504	STR.	54	15'-2"	854
A505	STR.	54	14'-8"	826
A506	STR.	4	8'-0"	33
† A507	BNT.	4	13'-8"	57
A508	BNT.	8	13'-8"	114
A509	STR.	4	5'-0"	21
A510	STR.	4	11'-0"	46
A511	STR.	4	6'-4"	26
A512	STR.	1	2'-8"	3
A513	STR.	12	2'-0"	25
A514	STR.	2	2'-4"	5
A601	BNT.	475	1'-6"	1070
A602	BNT.	471	2'-5"	1710
A603	BNT.	472	1'-3"	886
A604	BNT.	29	2'-3"	98
A605	BNT.	32	2'-6" TO 3'-6"	144
A606	BNT.	32	1'-3" TO 1'-11"	76
A607	BNT.	6	2'-6"	23
A608	BNT.	10	3'-6"	53
A609	BNT.	2	3'-10"	12
A610	BNT.	4	4'-2"	25
A611	STR.	2	1'-2"	4
A612	STR.	2	10"	3
A613	BNT.	4	2'-6"	15
A614	BNT.	2	3'-3"	10
A615	BNT.	2	5'-5"	16
A616	STR.	6	5'-4"	48
REPLACEMENT STEEL				300
TOTAL				7726

BENT BAR DETAILS



\* A607: VARIES 5 3/4" TO 8 1/4" BY 1 1/4" (3 BARS PER SERIES)  
 A613: VARIES 5 3/4" TO 7" BY 1 1/4" (2 BARS PER SERIES)  
 A614: 8 1/4"

PROPOSED WORK

1. MODIFY PARAPETS ON THE SUPERSTRUCTURE & ABUTMENTS. SEAL PARAPETS AS SHOWN ON PLANS. (INSTALL PLATES FOR STRIP SEAL EXP. JT.).
2. SCARIFY EXISTING DECK 1/4", AND REMOVE DETERIORATED CONCRETE AS DIRECTED BY THE ENGINEER.
3. PLACE 1 3/4" THICK **LATEX** MODIFIED CONCRETE ON DECK.
4. SEAL PARAPETS, BACKWALL, AND PIERS.
5. SEAL JOINTS, AS NOTED.
6. SEAL EXPANSION JOINT WITH STRIP SEAL.
7. PLACE GUARDRAIL AS SHOWN ON ROADWAY PLANS.
8. EXTEND SCUPPERS.
9. PAINT EXISTING STEEL STRUCTURE.
10. AT LEAST ONE LANE OF TRAFFIC SHALL BE MAINTAINED ON THE BRIDGE AT ALL TIMES. FOR NOTES SEE MAINTENANCE OF TRAFFIC PLANS.
11. OTHER WORK AS DESCRIBED IN THESE PLANS.
12. REFURBISH ABUTMENT BEARINGS

ITEM	ITEM EXT.	TOTAL	UNITS	DESCRIPTION
202	11200	LUMP SUM	L.S.	PORTIONS OF STRUCTURE REMOVED
509	15820	7726	LBS.	EPOXY COATED REINFORCING STEEL, GRADE 60
511	34450	8	C.Y.	CLASS S CONCRETE, MISC.: ABUTMENT PARAPETS
SPECIAL	51267500	804	S.Y.	SEALING OF CONCRETE SURFACE *
SPECIAL	51267502	56	S.Y.	SEALING OF CONCRETE SURFACE (EPOXY) *
SPECIAL	51400050	14,350	S.F.	SURFACE PREPARATION OF EXIST. STEEL, SYSTEM OZEU *
SPECIAL	51400056	14,350	S.F.	FIELD PAINTING OF EXIST STEEL, PRIME COAT, SYSTEM OZEU *
SPECIAL	51400060	14,350	S.F.	FIELD PAINTING OF EXIST STEEL, INTERMEDIATE COAT, SYSTEM OZEU *
SPECIAL	51400066	14,350	S.F.	FIELD PAINTING OF EXIST STEEL, FINISH COAT, SYSTEM OZEU *
SPECIAL	51400504	100	MAN HOUR	GRINDING FINES, TEARS, AND SLIVERS *
516	10000	66	L.F.	PREFORMED ELASTOMERIC COMPRESSION JOINT SEAL (705.11)
516	11210	71	L.F.	STRUCTURAL EXP. JT. INCLUDING ELASTOMERIC STRIP SEAL
516	45304	8	EACH	REFURBISH BEARING DEVICE
517	76201	550	L.F.	RAILING FACED, AS PER PLAN (32" HIGH)
518	63300	LUMP	L.S.	SCUPPER AND DRAINAGE PIPE CLEANOUT
518	12700	7	EACH	SCUPPER, VERTICAL EXTENSION
518	12800	6	EACH	SCUPPER MODIFICATION
625				FOR LIGHTING SUMMARY SEE LIGHTING PLANS.
519	11100	125	S.F.	PATCHING CONCRETE STRUCTURE
845	40210	804	S.Y.	<b>LATEX</b> MODIFIED CONCRETE <sup>MISC</sup> OVERLAY (1 3/4" THICK) ON EXISTING DECK
845	11000	16	C.Y.	<b>LATEX</b> MODIFIED CONCRETE OVERLAY (VARIABLE THICKNESS)
845	30000	1	C.Y.	FULL DEPTH REPAIR

\* SEE PROPOSAL NOTE

**WOOLPERT CONSULTANTS**  
 409 E. MONUMENT AVENUE  
 DAYTON, OHIO 45402-1226  
 (513) 461-5660

5 / 5

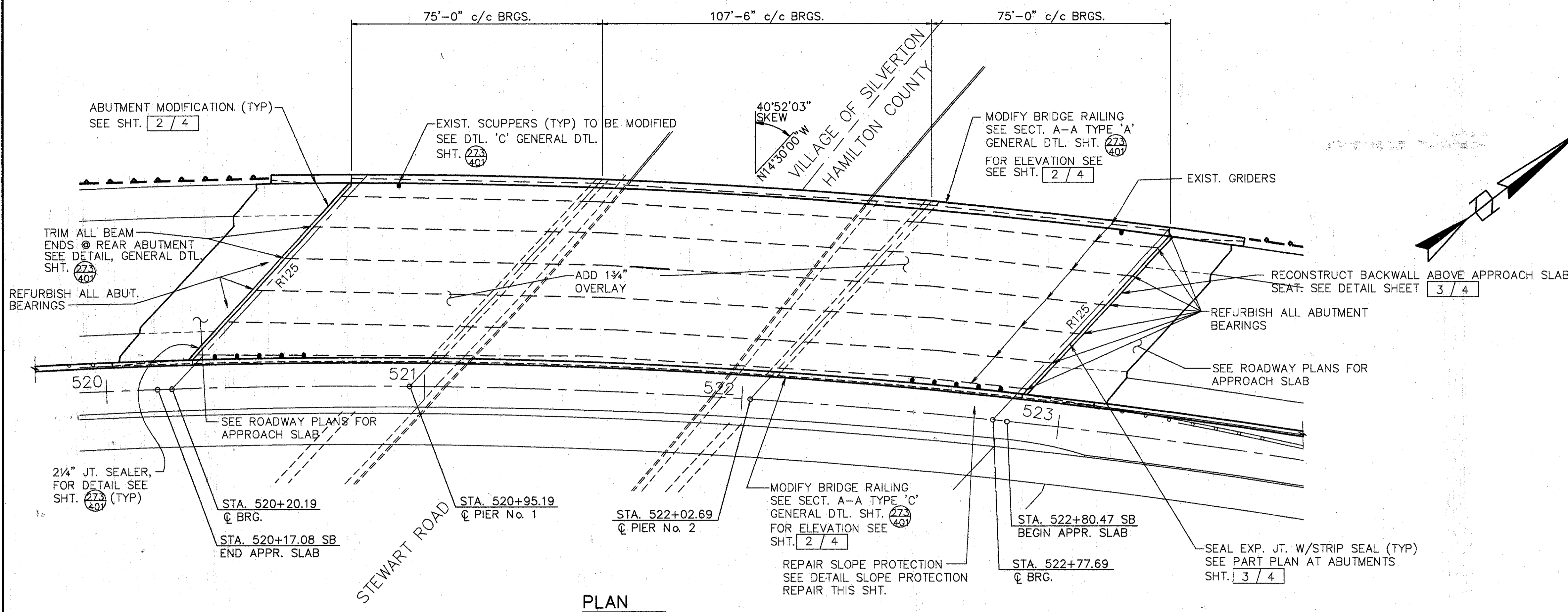
**QUANTITIES AND GENERAL NOTES**

BRIDGE NO. HAM-71-0987  
 OVER I-71

HAMILTON COUNTY

DESIGNED	DRAWN	TRACED	CHECKED	REVIEWED	DATE	REVISED
L.A.T.	L.A.P.		M.A.A.	D.E.M11/11/94		



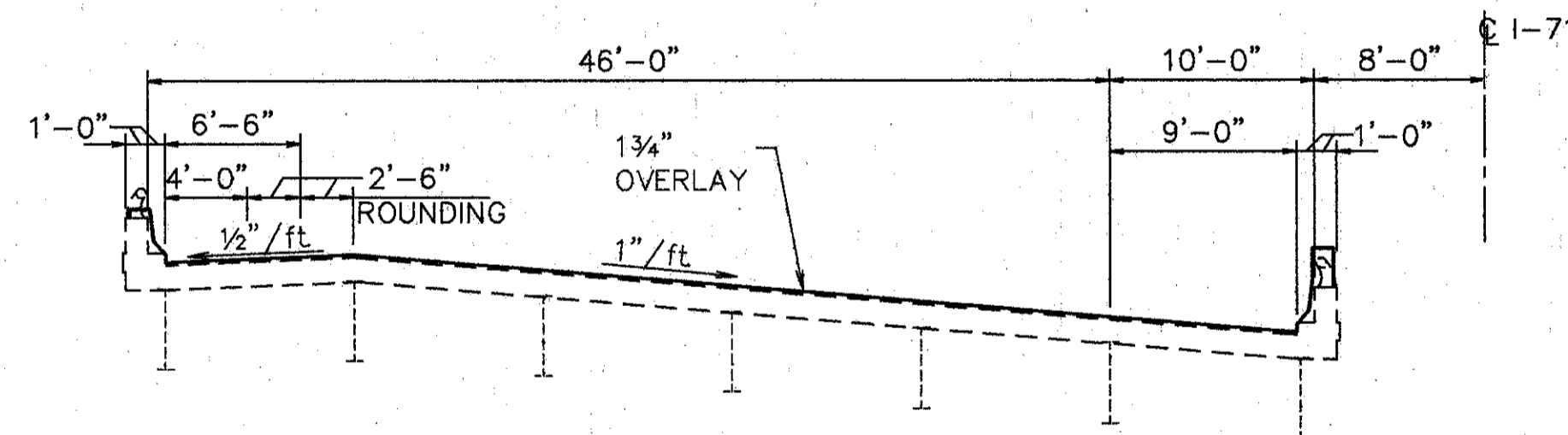


**PLAN**

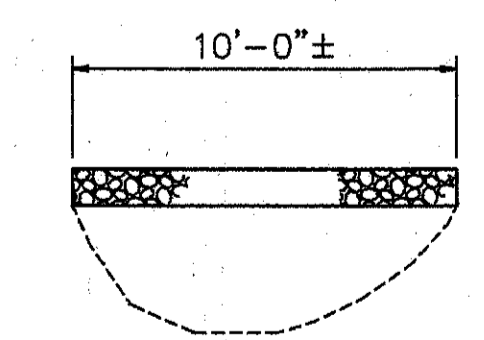
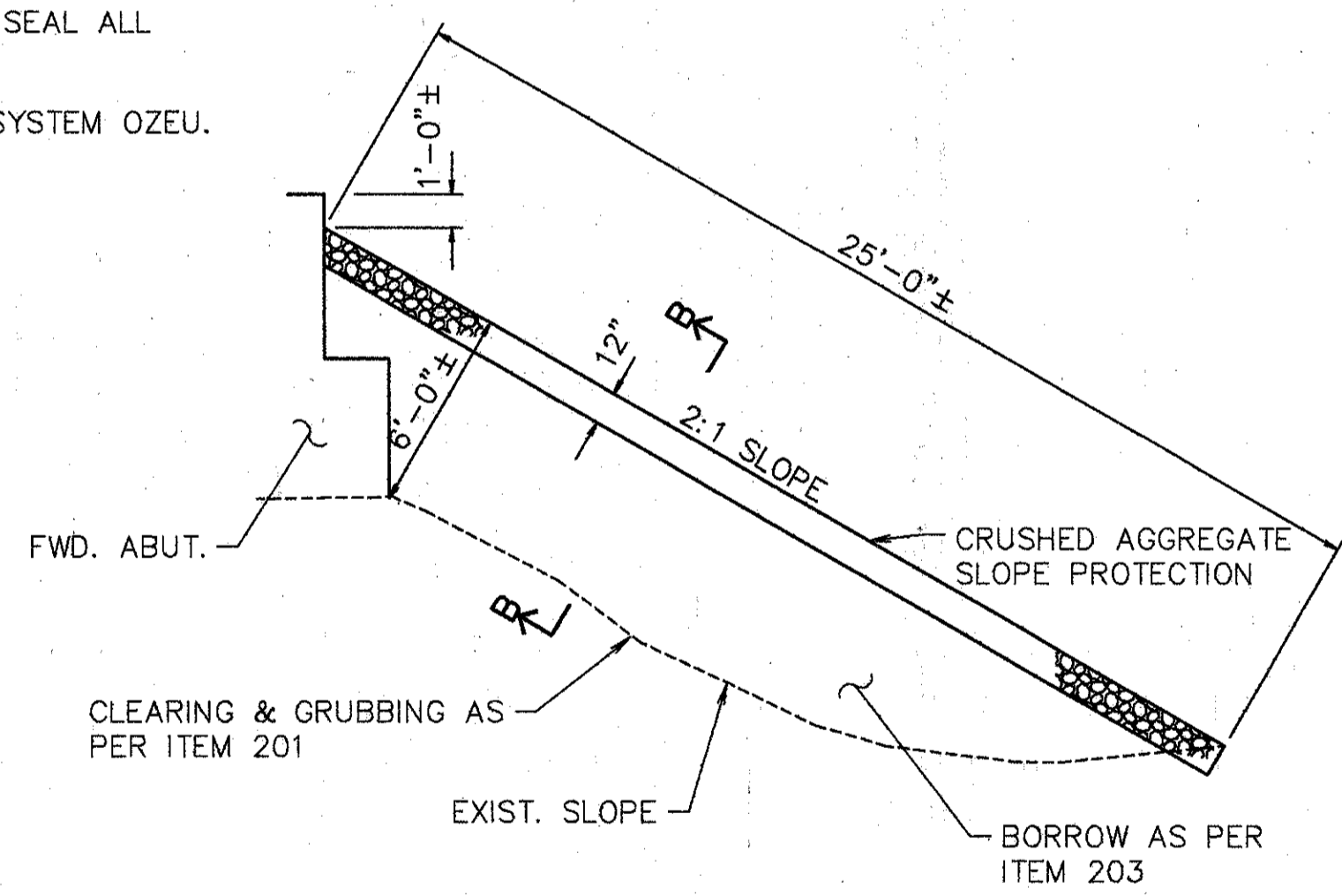
ROCKER OR BOLSTER SIZE	JACK CAPACITY REQ'D. (MIN)
R125	100 TON

**NOTES:**

1. EXTEND ALL SCUPPERS. FOR DTL. SEE GEN. DTL. SHT. 2/4
2. SEAL PARAPETS, PIERS, AND BACKWALL. SEAL ALL OF PIERS EXCEPT TOPS OF PIER CAPS.
3. PAINT EXISTING STEEL STRUCTURE WITH SYSTEM OZEU.



**TYP. BRIDGE SECTION**



**SECTION B-B**

**SLOPE PROTECTION REPAIR**

SLOPE PROTECTION REPAIR SHALL BE PAID FOR AS ITEM 601 CRUSHED AGGREGATE SLOPE PROTECTION AS PER PLAN. THE PRICE BID PER SQ. YARD SHALL INCLUDE CLEARING & GRUBBING AND BORROW AS REQUIRED TO CONFORM TO THE SLOPE AS SHOWN.

**EXISTING STRUCTURE**

TYPE: CONTINUOUS STEEL GIRDER WITH REINFORCED CONCRETE DECK & SUBSTRUCTURE  
 SPANS: 75'-0", 107'-6", 75'-0"  
 ROADWAY: 56'-0" F/F PARAPET  
 SKEW: 40°-52'-03" LT. FORWARD  
 LOADING FREQUENCY: C.F.=2000 (57) ADEQUATE FOR A.A.S.H.O. ALTERNATE LOADING  
 WEARING SURFACE: 1" MONOLITHIC CONCRETE  
 APPROACH SLABS: AS-1-54 (25'-0" LONG)  
 ALIGNMENT: 3" HORIZONTAL CURVE TO THE RIGHT  
 SUPERELEVATION: 0.0833'/FT.  
 CURB: 1'-0" EACH SIDE

**WOOLPERT CONSULTANTS**  
 409 E. MONUMENT AVENUE  
 DAYTON, OHIO 45402-1226  
 (513) 461-5660

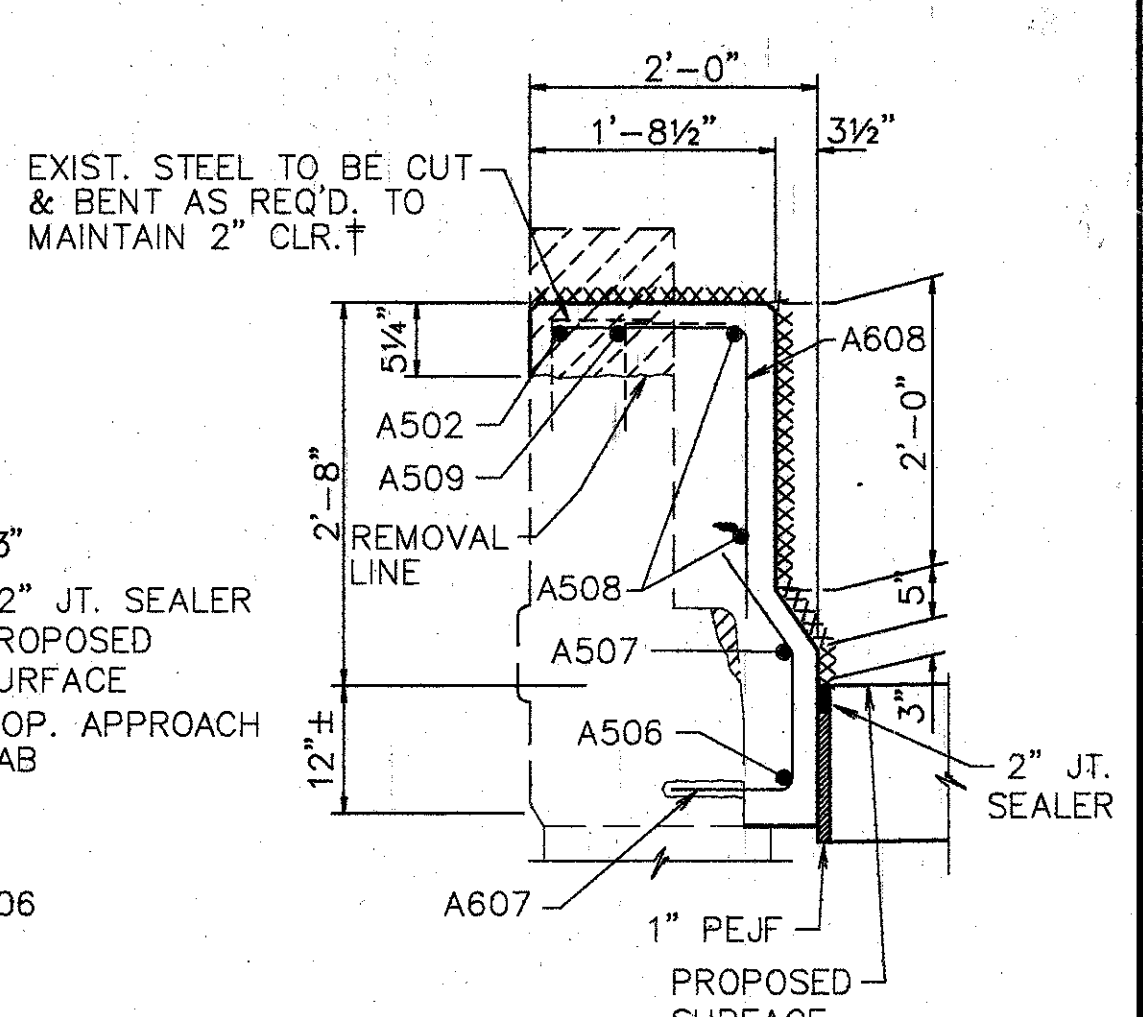
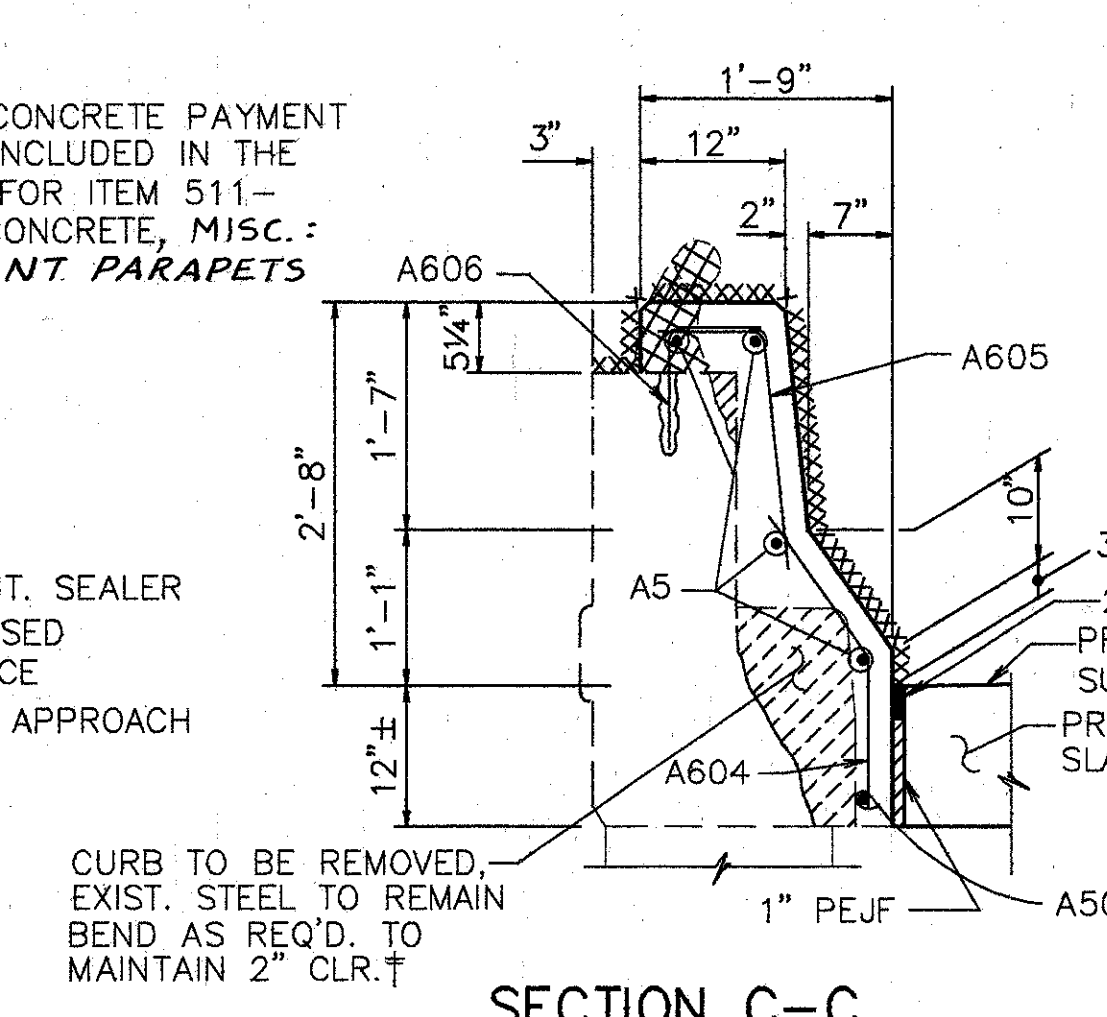
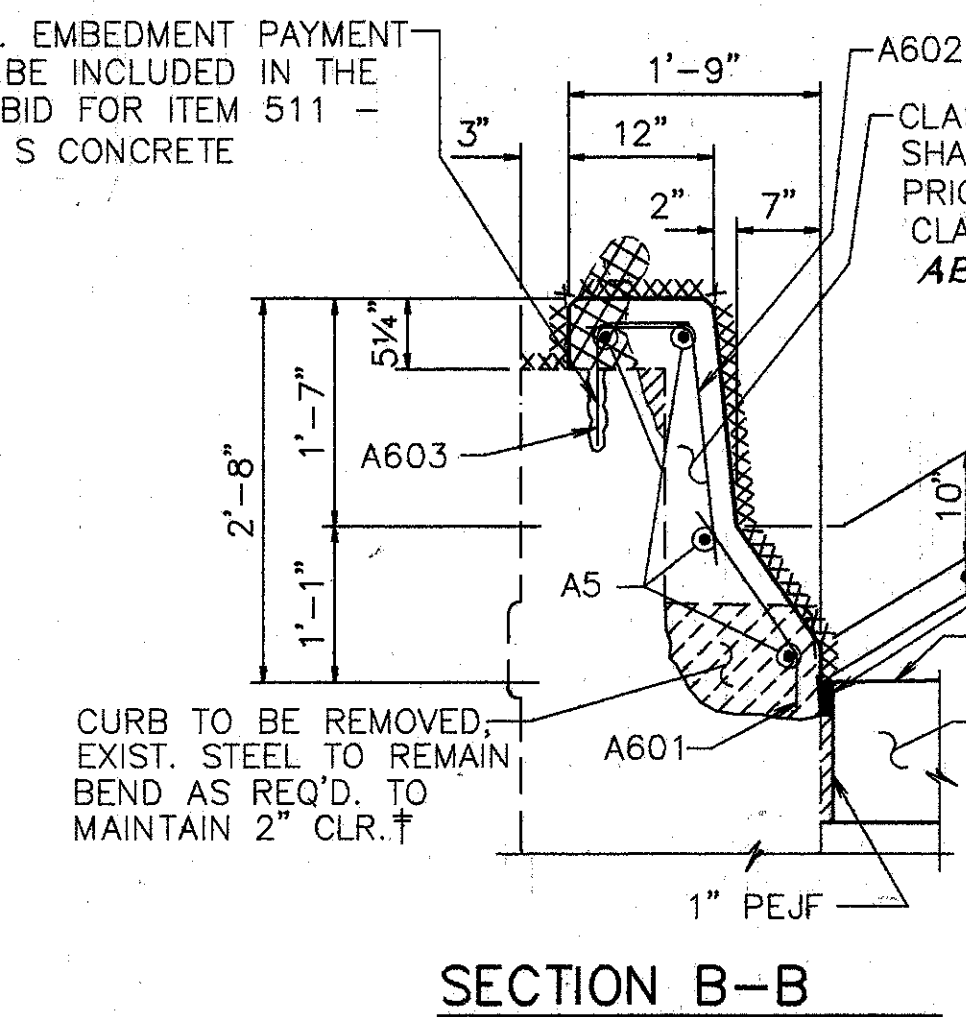
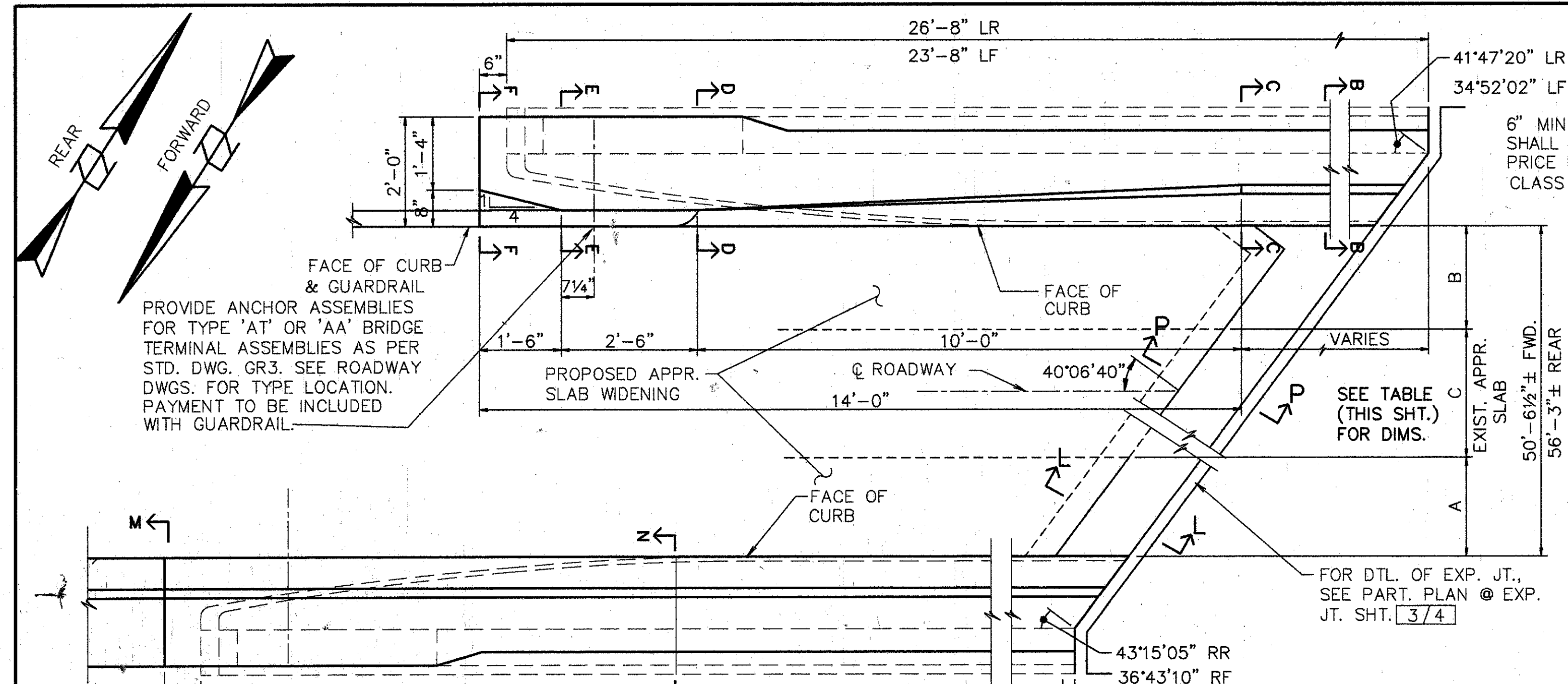
**GENERAL PLAN**

BRIDGE NO. HAM-71-1063 L  
 OVER CO. RD. NO.327

HAMILTON COUNTY

DESIGNED	DRAWN	TRACED	CHECKED	REVIEWED	DATE	REVISED
L.A.T.M.	D.E.E.		M.A.A.	D.E.M11/11/94		

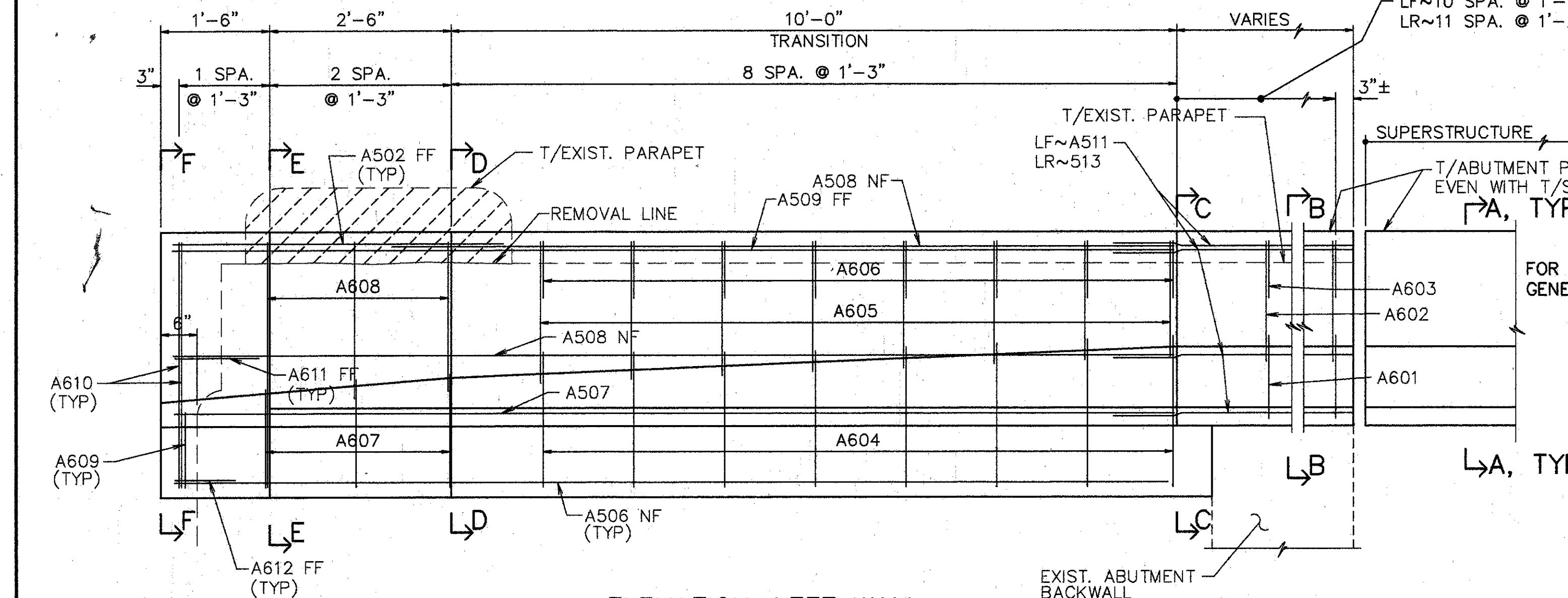
11/27/94 2:11 PM  
 L.A.T.M. 11/27/94 2:11 PM  
 D.E.M. 11/27/94 2:11 PM  
 M.A.A. 11/27/94 2:11 PM



LOCATION	DIMENSIONS		
	A	B	C
FORWARD	7'-8 1/2"	9'-2"	33'-8"
REAR	8'-6 3/4"	10'-2"	37'-6 1/4"

**PLAN - ABUTMENT MODIFICATION**

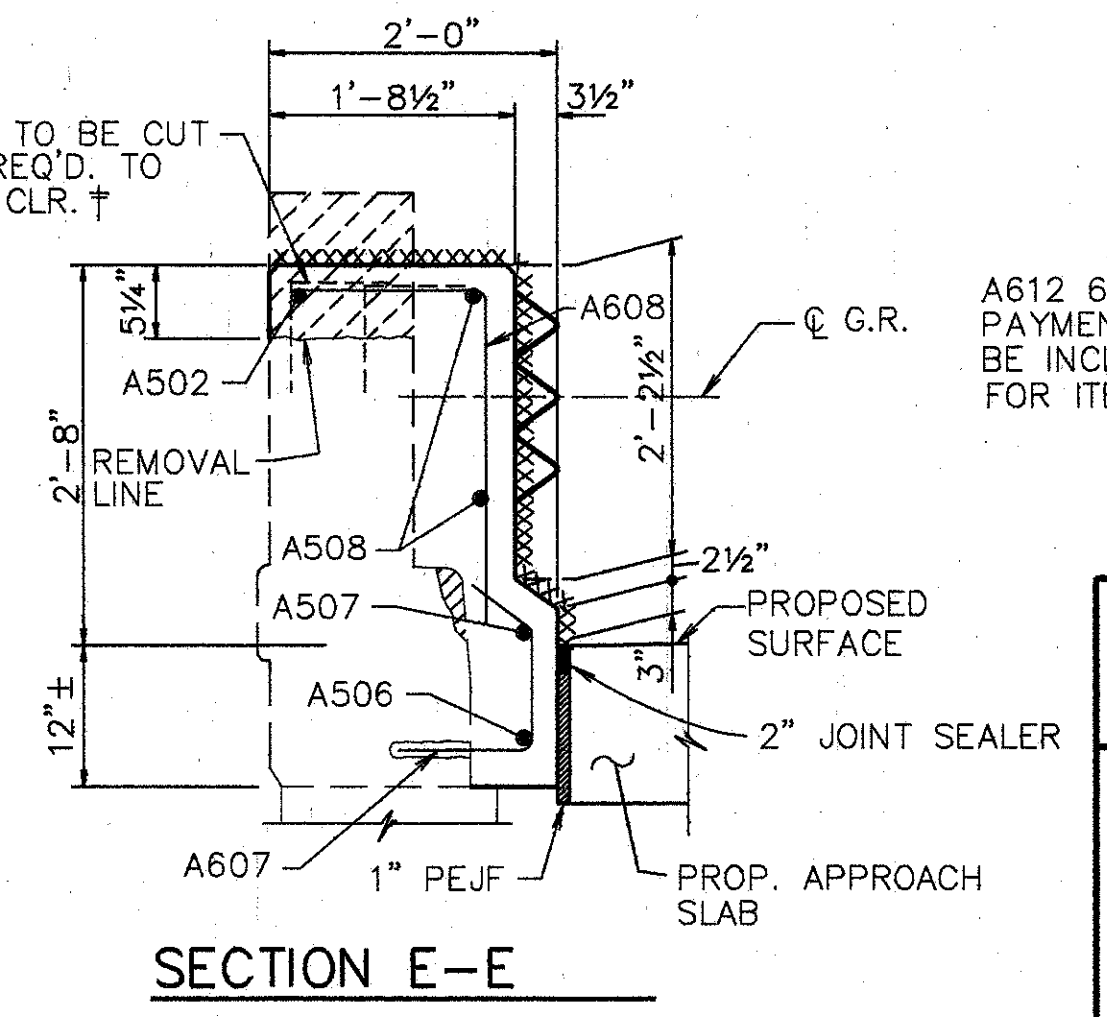
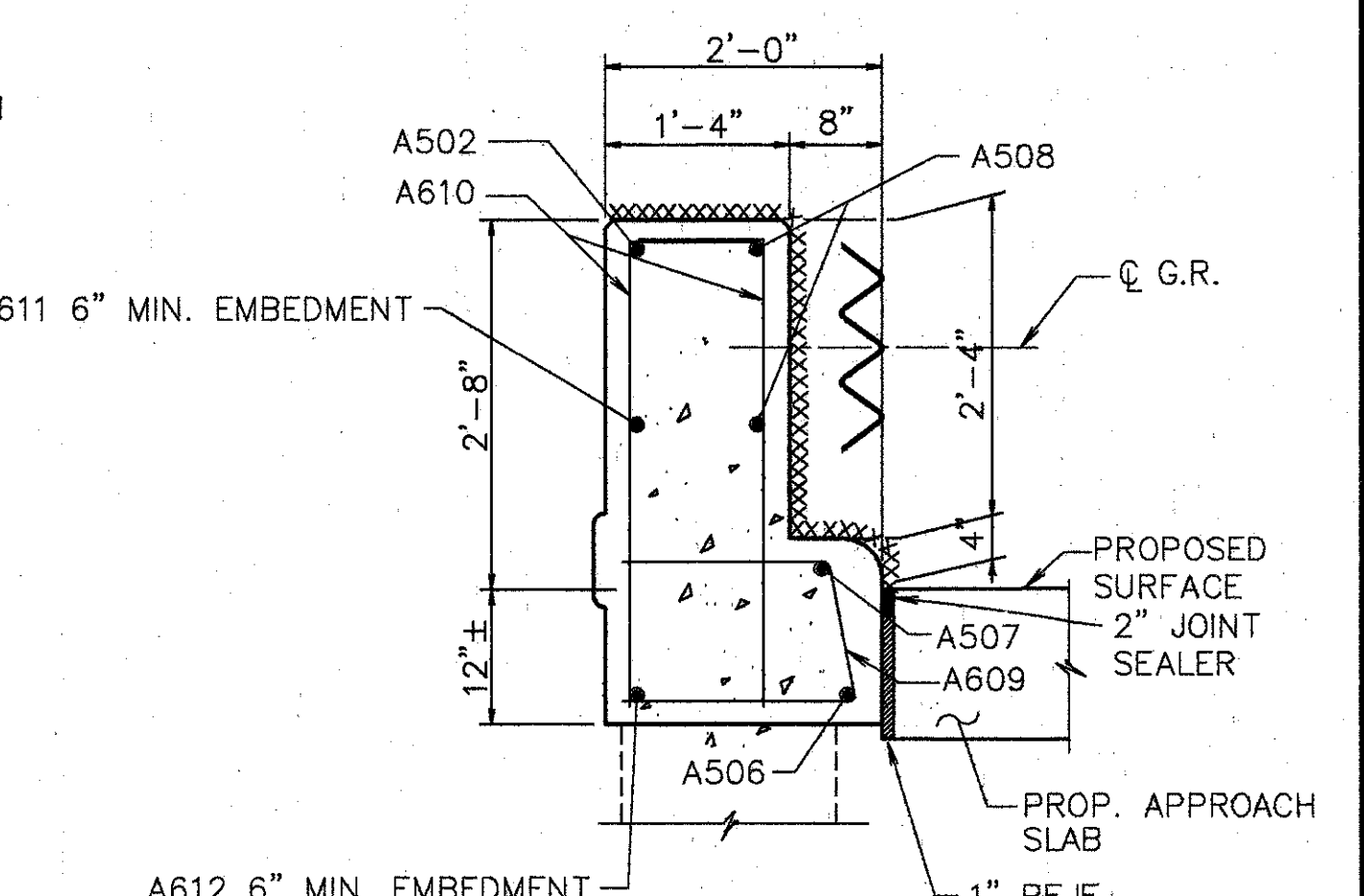
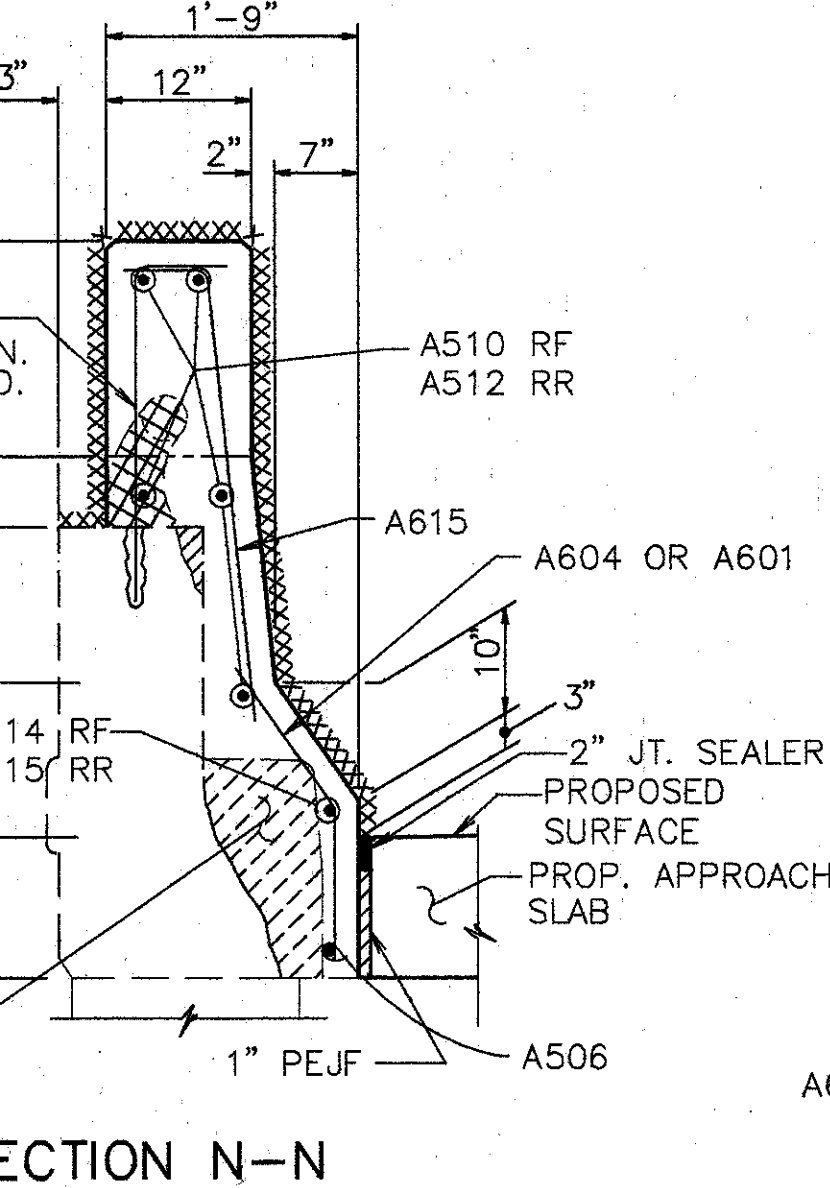
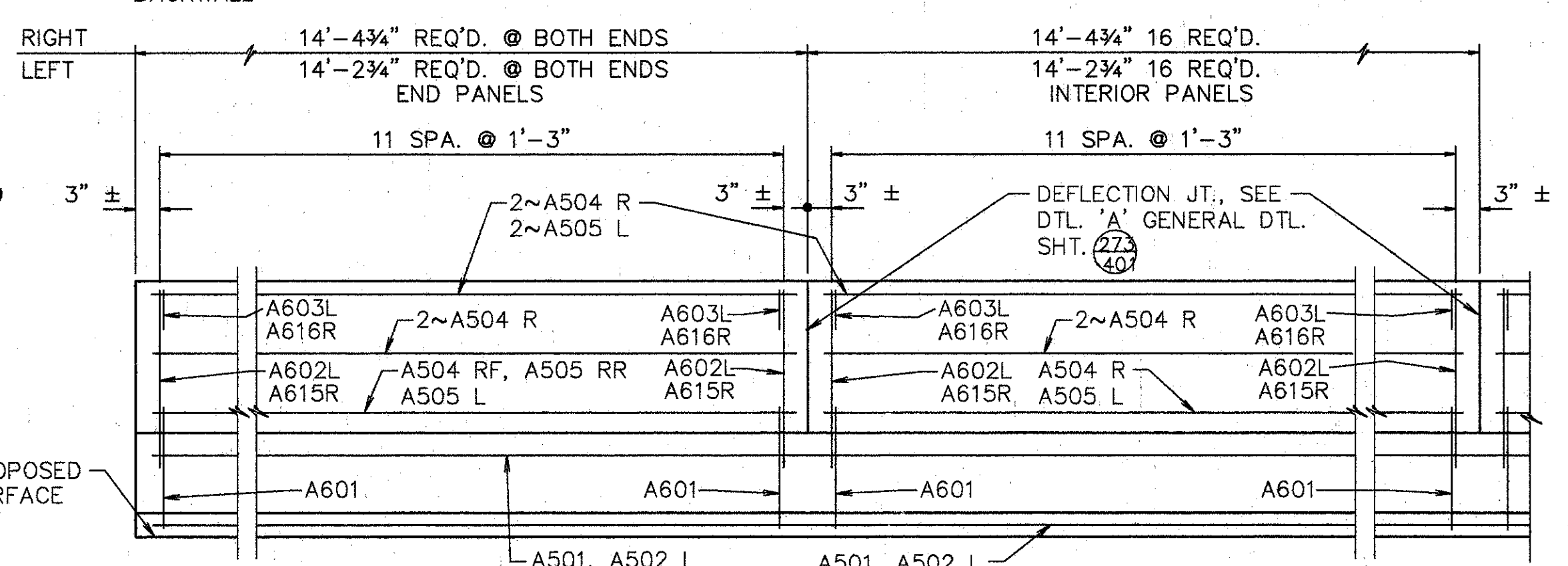
REAR SHOWN, FORWARD OPPOSITE HAND (SAME SKEW ANGLE). SEE GENERAL PLAN FOR WINGWALL ORIENTATION AT FORWARD ABUTMENT.



- EXIST. CURB & PARAPET TO BE REMOVED UNDER ITEM 202-"PORTIONS OF STRUCTURE REMOVED".
- EXIST. RAILING & POSTS TO BE REMOVED & STACKED NEATLY ALONG THE RIGHT-OF-WAY FOR DISPOSAL BY THE CONTRACTOR. ALL WORK SHALL BE INCLUDED IN THE PRICE BID FOR ITEM 202-"PORTIONS OF STRUCTURE REMOVED".
- XXXXXX SURFACES TO BE SEALED UNDER ITEM SPECIAL-"SEALING OF CONCRETE SURFACES".

- NOTES:**
- L DENOTES LEFT SIDE
  - R DENOTES RIGHT SIDE
  - RF DENOTES RIGHT FORWARD
  - LF DENOTES LEFT FORWARD
  - RR DENOTES RIGHT REAR
  - LR DENOTES LEFT REAR
  - NF DENOTES NEAR FACE
  - FF DENOTES FAR FACE

- NOTES:**
- TYPE 'A' WATERPROOFING AT THE BRIDGE LIMIT END OF THE APPROACH SLAB (AS PER STD. DWG. AS-1-81) SHALL BE INCLUDED IN THE PRICE BID FOR ITEM 611 APPROACH SLAB.



**WOOLPERT CONSULTANTS**  
 409 E. MONUMENT AVENUE  
 DAYTON, OHIO 45402-1226  
 (513) 461-5660

**PARAPET SECTIONS AND DETAILS**

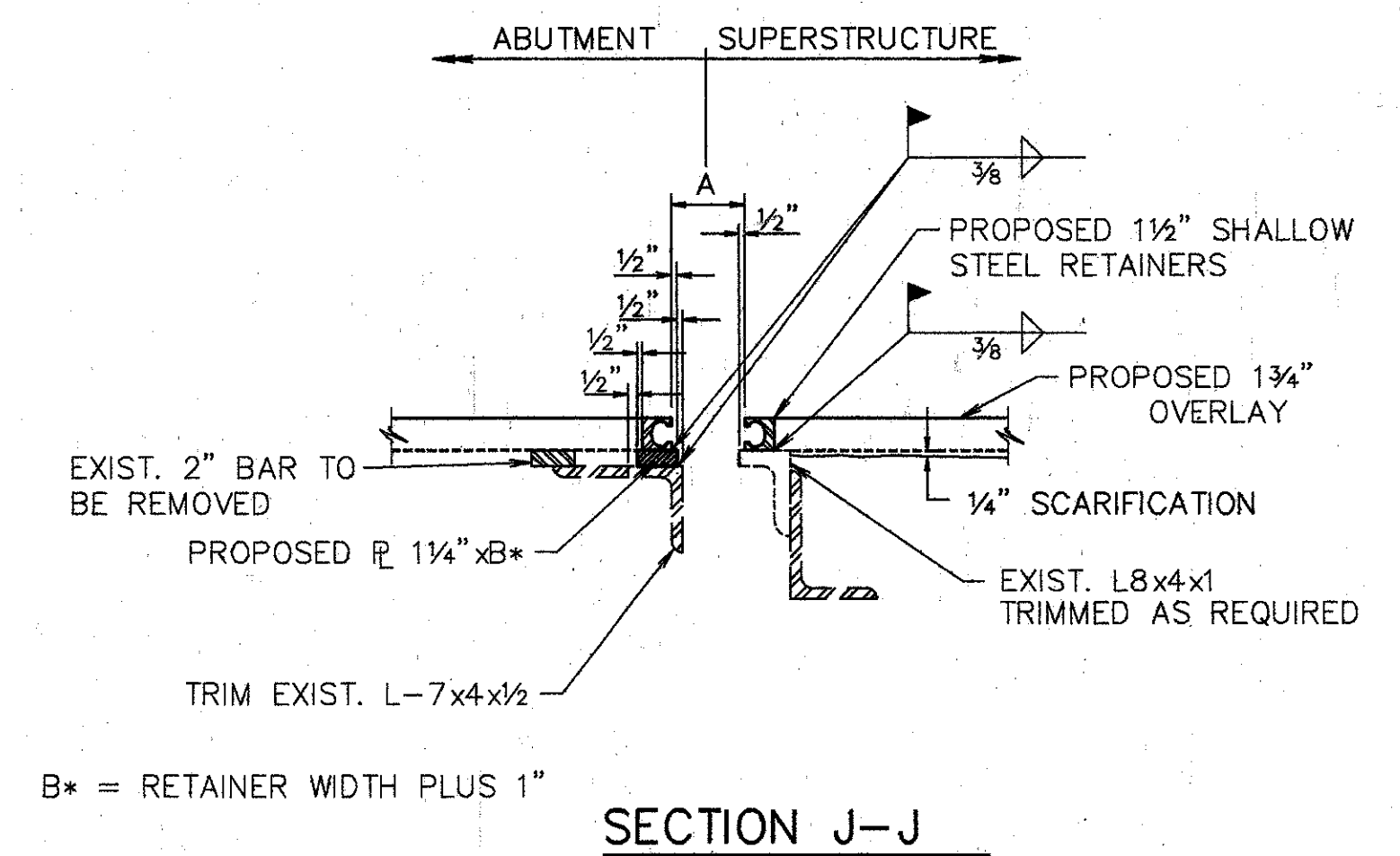
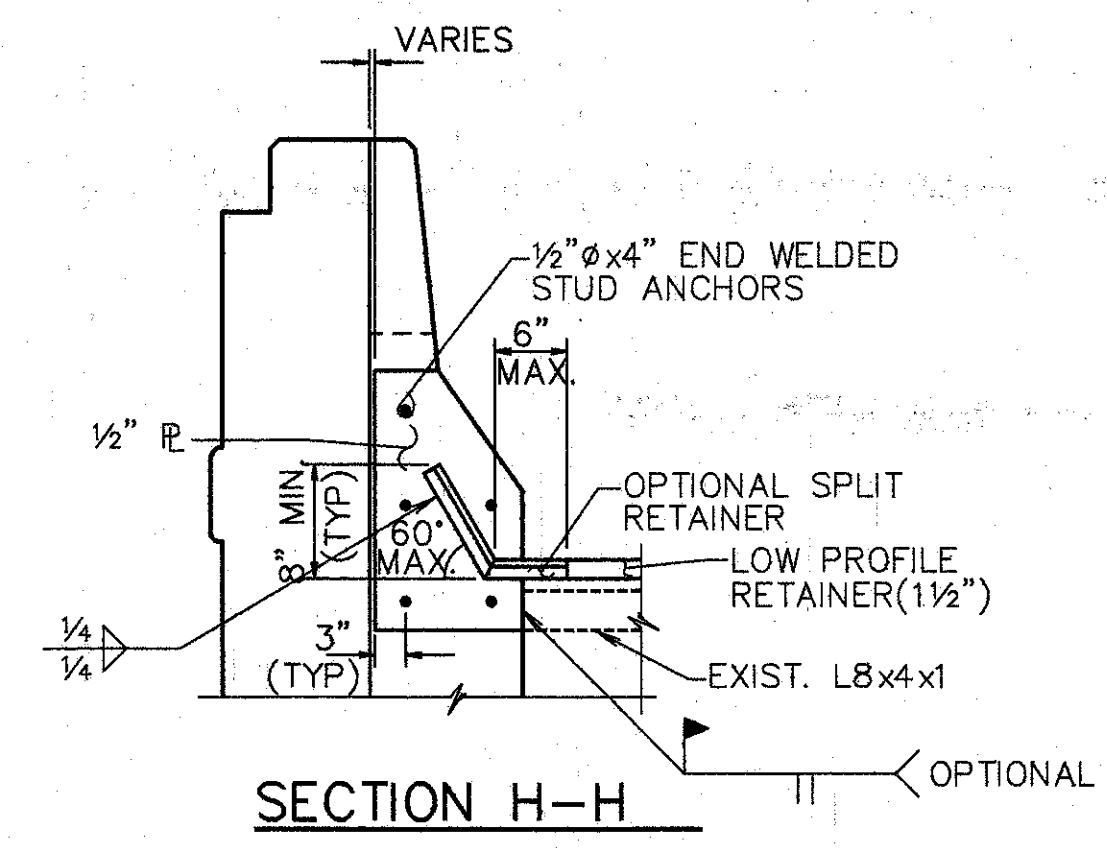
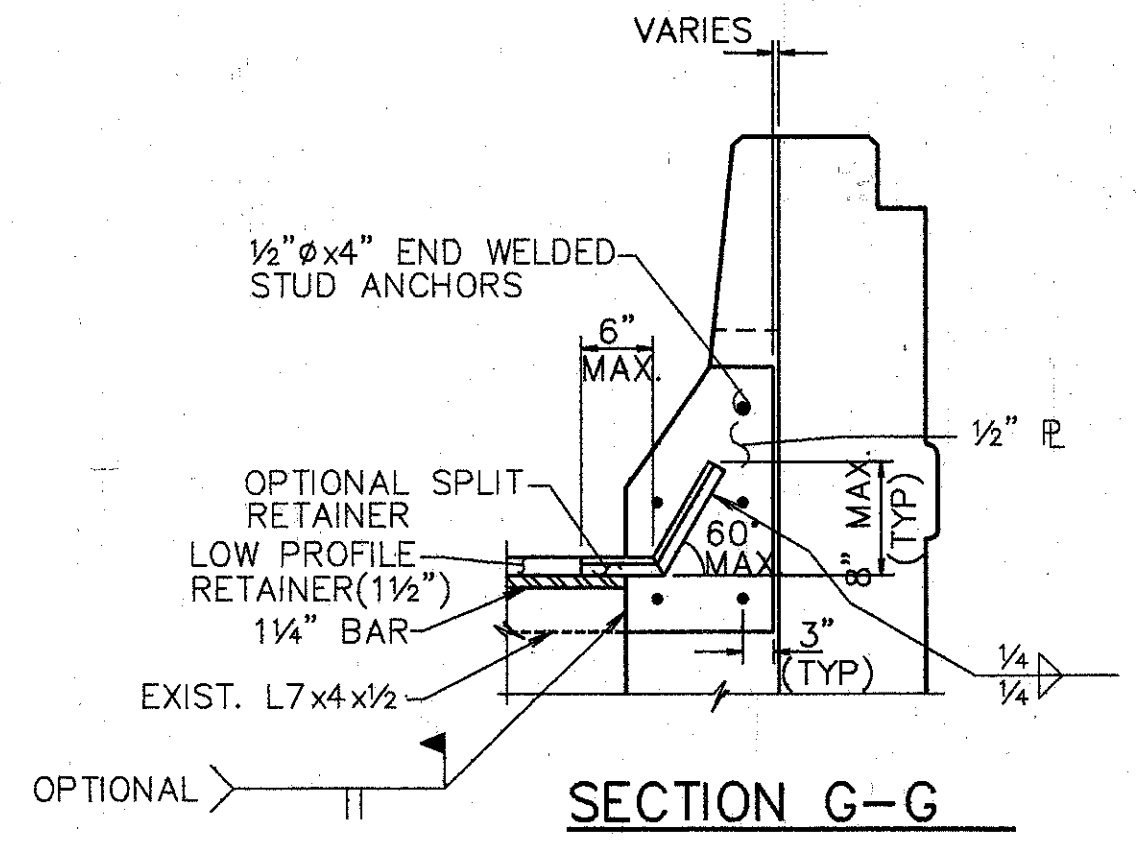
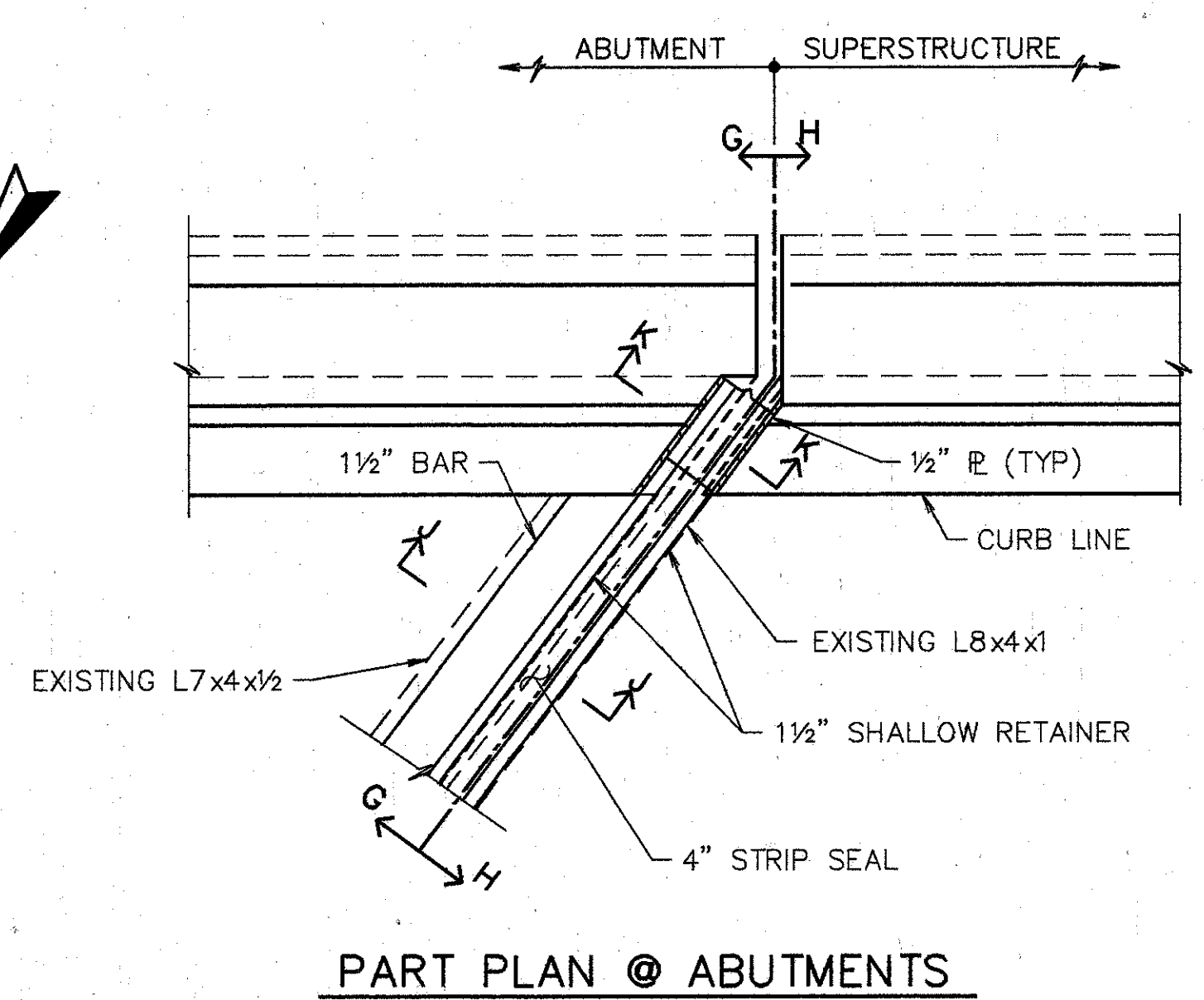
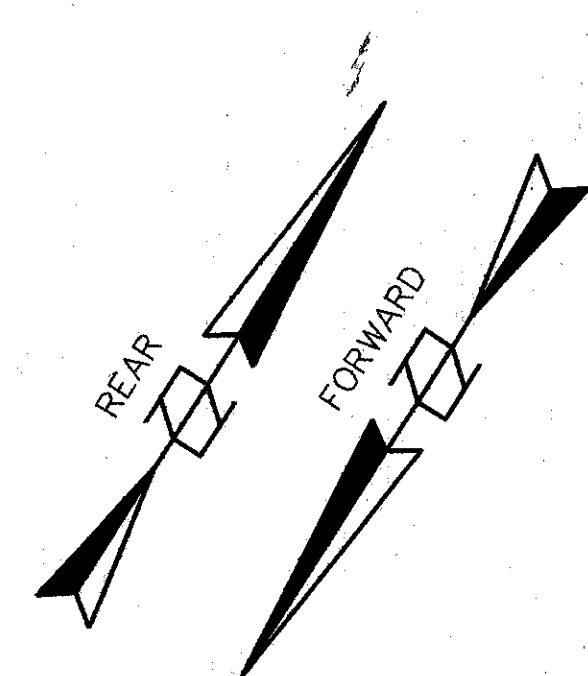
BRIDGE NO. HAM-71-1063 L  
 OVER CO. RD. No. 327

HAMILTON COUNTY

DESIGNED	DRAWN	TRACED	CHECKED	REVIEWED	DATE	REVISED
L.A.T.M.	D.E.E.		M.A.A.	D.E.M1/11/94		

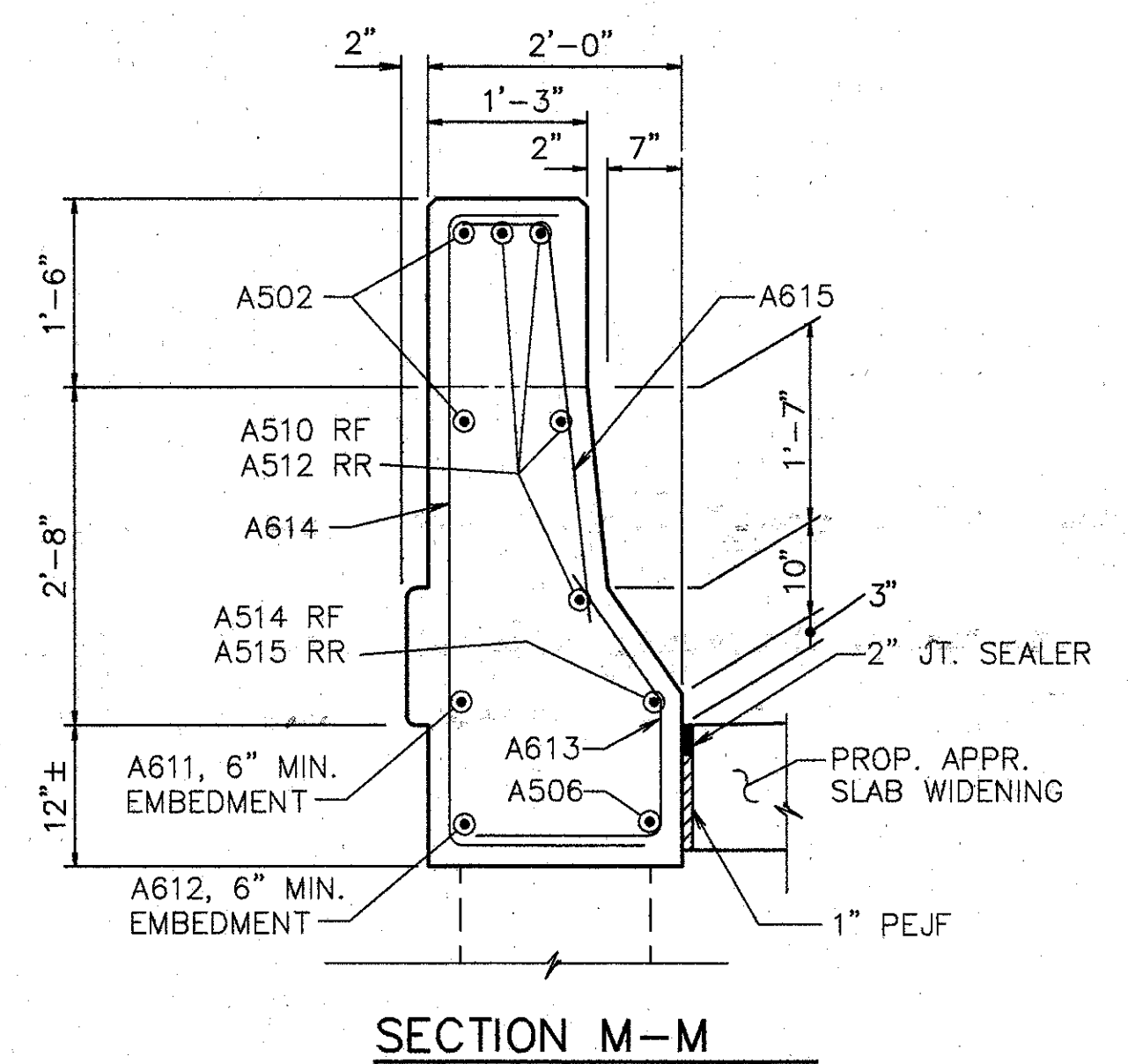
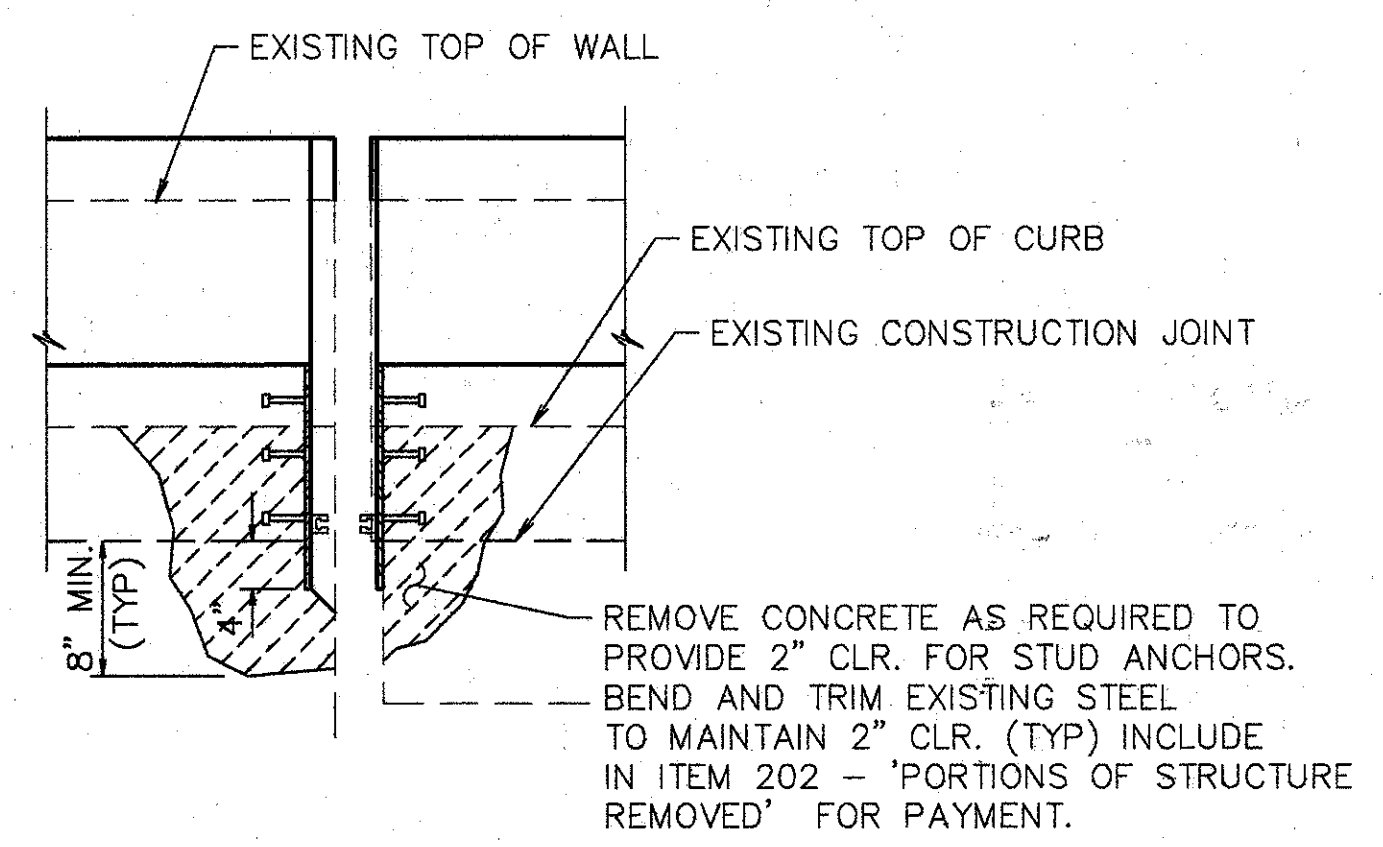
Left Page JUN. 17, 1991 @ 7:02 AM  
 G:\300\6596-05\065912 Left Revision Bx.RCH MAY 17, 1994 @ 2:09 PM



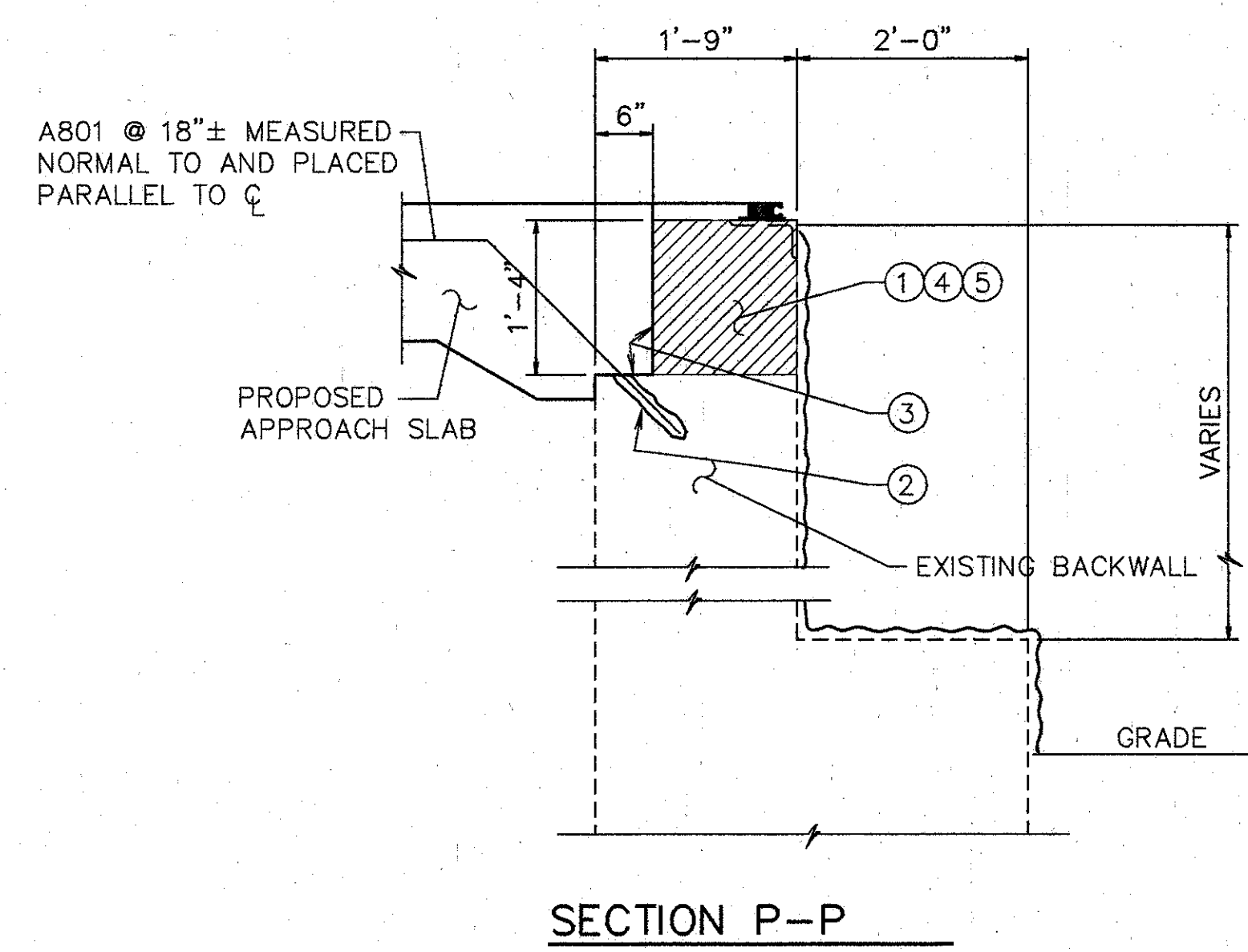


- NOTES:**
1. EXPANSION JT. DETAILS TO BE WORKED WITH STD. DWG. EXJ-4-87 SHTS. 1 thru 5.
  2. WHEN PLATE IS RECESSED INTO ABUTMENT, CONCRETE BELOW PLATE SHALL BE SLOPED FROM BOTTOM OF THE PLATE TO THE END OF THE ABUTMENT TO DETER ACCUMULATION OF DEBIS.

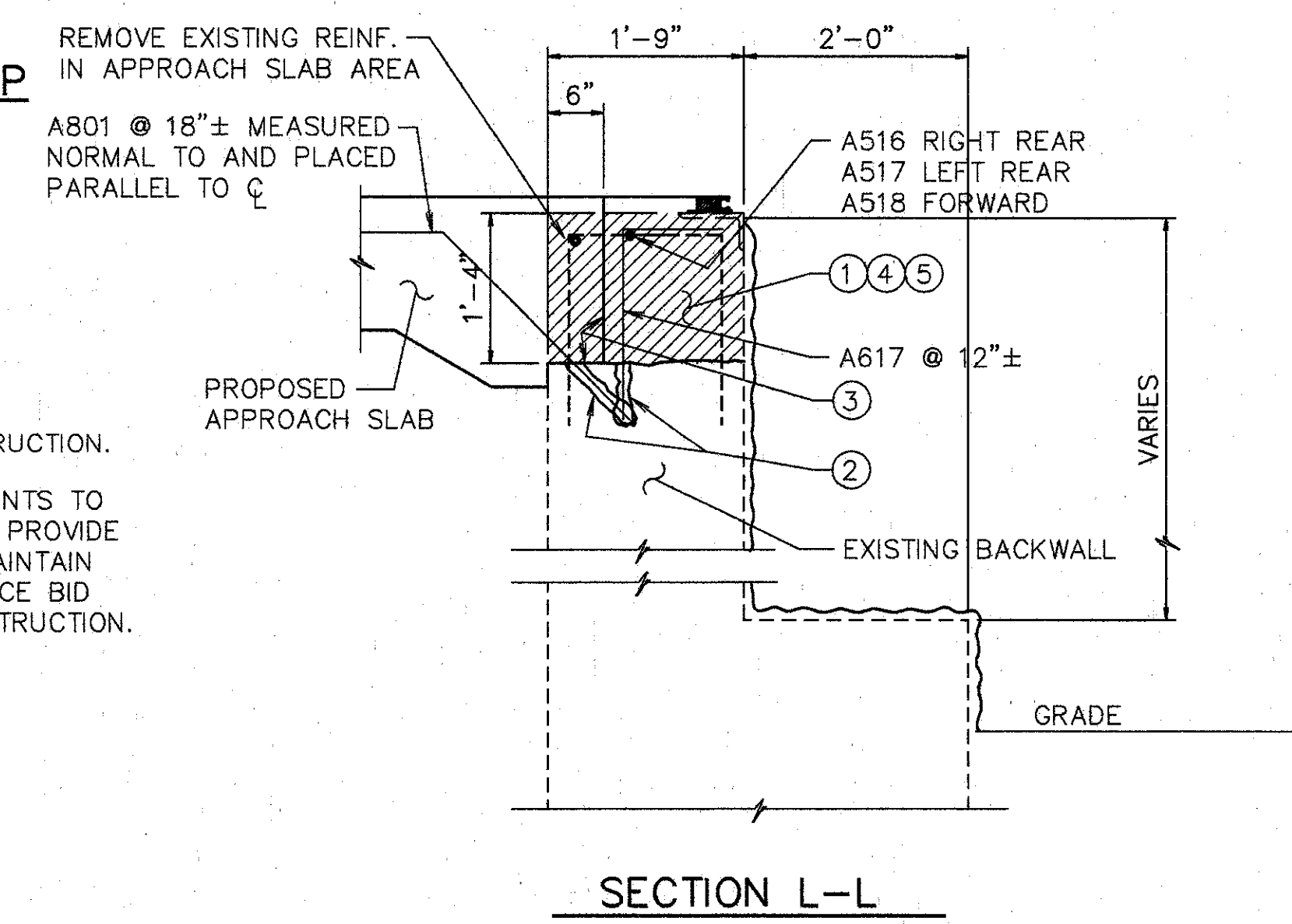
- NOTES:**
1. CONTRACTOR TO VERIFY ALL DIMENSIONS PRIOR TO MODIFYING EXPANSION JOINT.
  2. THE PRICE BID FOR ITEM 516-'STRUCTURAL EXPANSION JOINTS, INCLUDING ELASTOMERIC STRIP SEALS, SHALL INCLUDE ALL LABOR, MATERIALS, EQUIPMENT, AND ANY OTHER INCIDENTAL ITEMS, AS DETAILED. (REMOVAL OF CURB OR PARAPET AS SHOWN SHALL BE INCLUDED UNDER ITEM 202-'PORTIONS OF STRUCTURE REMOVED').
  3. FOR DETAILS NOT SHOWN REFER TO DWG. EXJ-4-87 SHTS. 3 AND 4.
  4. STRIP SEAL TO BE INSTALLED IN ONE CONTINUOUS PIECE (NO OPEN JOINTS).
  5. PROVIDE TEMPORARY SUPPORT FOR ABUTMENT END DAM DURING CONSTRUCTION. REMOVE TEMPORARY SUPPORT AS SOON AS CONCRETE HAS SET, PREFERABLY WITHIN TWO HOURS AFTER PLACING TO AVOID DAMAGE DUE TO EXPANSION AND CONTRACTION OF SUPERSTRUCTURE.



TEMPERATURE	DIM. 'A'	
	REAR	FORWARD
40° F	3 1/8"	3 1/8"
50° F	3"	3 1/8"
60° F	2 7/8"	3"
70° F	2 3/4"	3"
80° F	2 1/2"	3"
90° F	2 1/2"	2 7/8"



- NOTES FOR SECTION L-L & P-P**
1. EXISTING REINFORCING STEEL TO REMAIN ~ REINFORCING STEEL DAMAGED TO BE REPLACED AT CONTRACTORS EXPENSE.
  2. 1' MIN. EMBEDMENT (SEE DOWEL HOLE GENERAL NOTE) ITEM 510.
  3. TYPE 'A' WATERPROOFING (PAYMENT INCLUDED IN THE PRICE BID FOR APPROACH SLAB).
  4. CLASS 'C' CONCRETE, ABUTMENT RECONSTRUCTION.
  5. PROVIDE CONTRACTION AND EXPANSION JOINTS TO MATCH THOSE IN EXISTING BACKWALL AND PROVIDE CONSTRUCTION JOINTS AS REQUIRED TO MAINTAIN TRAFFIC. PAYMENT TO BE INCLUDED IN PRICE BID FOR ITEM 511 CLASS C CONCRETE RECONSTRUCTION.
- EXISTING CONCRETE TO BE REMOVED INCLUDE IN ITEM 202 FOR PAYMENT.  
 SURFACE TO BE SEALED UNDER ITEM SPECIAL-'SEALING OF CONCRETE SURFACE, EPOXY'.



SEE NOTES ON SHT. [2/4]

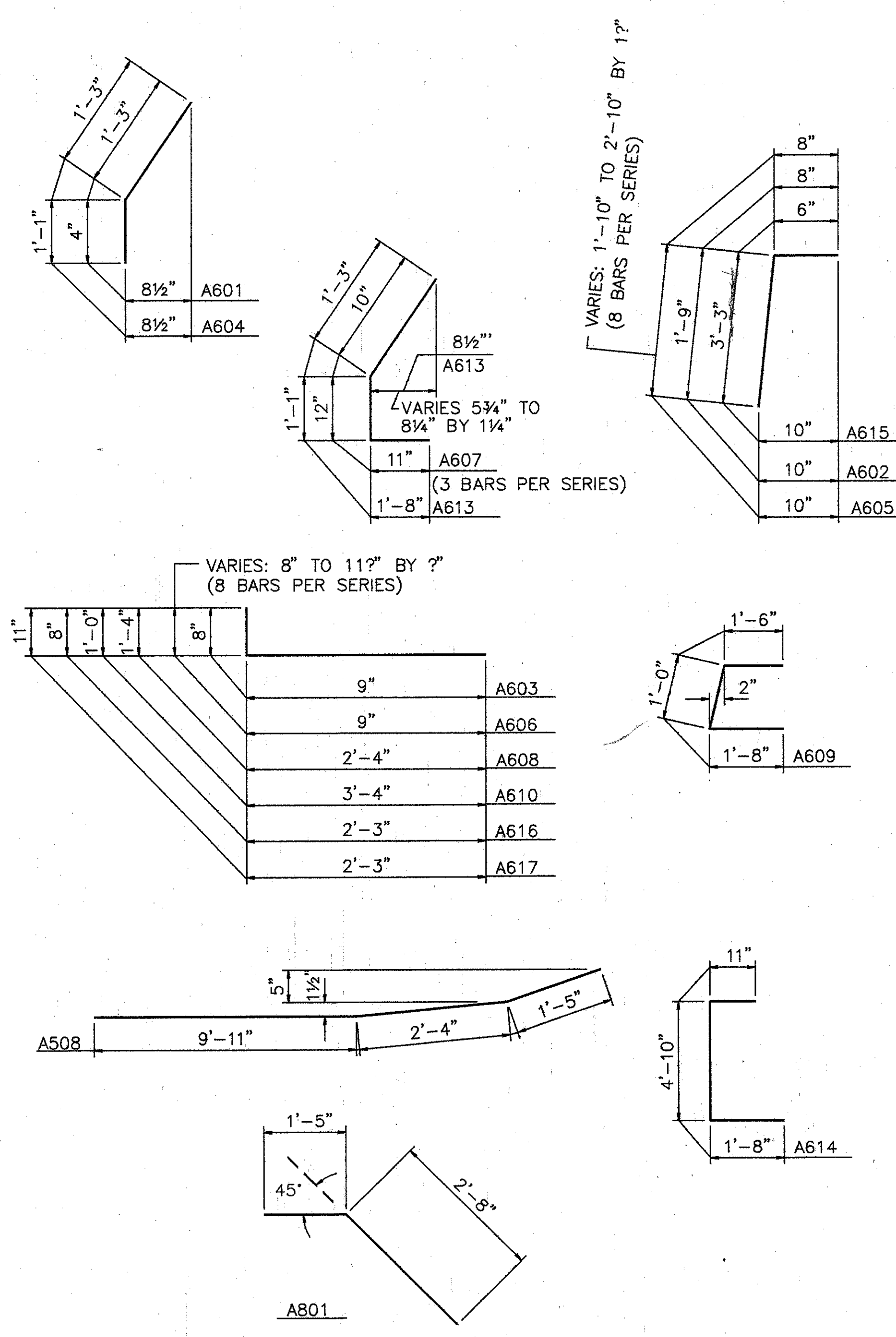
**WOOLPERT CONSULTANTS**  
 409 E. MONUMENT AVENUE  
 DAYTON, OHIO 45402-1226  
 (513) 461-5660

**MISCELLANEOUS DETAILS**  
 BRIDGE NO. HAM-71-1063 L  
 OVER CO. RD. No. 327  
 HAMILTON COUNTY

DESIGNED	DRAWN	TRACED	CHECKED	REVIEWED	DATE	REVISED
L.A.T.M.	D.E.E.		M.A.A.	D.E.M.	11/94	

Left Plot, sht. 17, 1991 @ 7:55 AM  
 G:\P\16098-CV\00000173 Left Revision By: D.E.E. APR. 5, 1994 @ 2:55 AM

REINFORCING STEEL LIST					BENT BAR DETAILS				
MARK	SHAPE	NUMBER	LENGTH	WEIGHT	MARK	SHAPE	NUMBER	LENGTH	WEIGHT
PARAPETS					PARAPETS				
A501	STR.	36	30'-0"	1126	A801	BNT.	74	4'-0"	790
A502	STR.	8	5'-0"	42					
A503	STR.	2	6'-8"	14	REPLACEMENT STEEL				300
A504	STR.	89	14'-0"	1300	TOTAL				10342
A505	STR.	55	13'-10"	794					
A506	STR.	4	13'-8"	58					
A507	BNT. †	2	13'-8"	29					
A508	BNT.	4	13'-8"	57					
A509	STR.	2	11'-0"	23					
A510	STR.	5	20'-4"	106					
A511	STR.	4	14'-1"	59					
A512	STR.	5	21'-10"	114					
A513	STR.	4	15'-2"	63					
A514	STR.	1	19'-6"	20					
A515	STR.	1	22'-6"	23					
A516	STR.	1	16'-0"	17					
A517	STR.	1	15'-2"	16					
A518	STR.	2	14'-0"	29					
A601	BNT.	467	1'-6"	1052					
A602	BNT.	238	2'-5"	864					
A603	BNT.	238	1'-3"	447					
A604	BNT.	38	2'-3"	128					
A605	BNT.	16	2'-6" TO 3'-6"	72					
A606	BNT.	16	1'-3" TO 1'-7"	34					
A607	BNT.	6	2'-6"	23					
A608	BNT.	6	3'-6"	32					
A609	BNT.	2	3'-10"	12					
A610	BNT.	4	4'-2"	25					
A611	STR.	4	1'-2"	7					
A612	STR.	4	10"	5					
A613	BNT.	2	3'-9"	11					
A614	BNT.	2	7'-1"	21					
A615	BNT.	253	3'-7"	1362					
A616	BNT.	251	2'-9"	1037					
A617	BNT.	51	3'-0"	230					



† BEND IN FIELD AS REQUIRED.

ITEM	ITEM EXT.	TOTAL	UNITS	DESCRIPTION
202	11200	LUMP SUM	L.S.	PORTIONS OF STRUCTURE REMOVED
202	23501	1300	S.Y.	WEARING COURSE REMOVED (ASPHALT), AS PER PLAN
509	15820	10342	LBS.	EPOXY COATED REINFORCING STEEL, GRADE 60
510	12201	125	L.F.	DOWEL HOLES AS PER PLAN
511	34450	13	C.Y.	CLASS S CONCRETE, MISC.: ABUTMENT PARAPETS
511	45700	10	C.Y.	CLASS C CONCRETE, ABUTMENT RECONSTRUCTION
SPECIAL	51267500	1056	S.Y.	SEALING OF CONCRETE SURFACE *
SPECIAL	51267502	193	S.Y.	SEALING OF CONCRETE SURFACE (EPOXY) *
513	21000	13	EACH	TRIMMING OF BEAM END
SPECIAL	51400050	24,625	S.F.	SURFACE PREPARATION OF EXIST. STEEL, SYSTEM OZEU *
SPECIAL	51400056	24,625	S.F.	FIELD PAINTING OF EXIST STEEL, PRIME COAT, SYSTEM OZEU *
SPECIAL	51400060	24,625	S.F.	FIELD PAINTING OF EXIST STEEL, INTERMEDIATE COAT, SYSTEM OZEU *
SPECIAL	51400066	24,625	S.F.	FIELD PAINTING OF EXIST STEEL, FINISH COAT, SYSTEM OZEU *
SPECIAL	51400504	100	MAN HOUR	GRINDING FINS, TEARS, AND SLIVERS *
516	11210	144	L.F.	STRUCTURAL EXP. JT., INCLUDING ELASTOMERIC STRIP SEAL
516	45304	14	EACH	REFURBISH BEARING DEVICE
517	76201	257	L.F.	RAILING FACED, AS PER PLAN (32" HIGH)
517	76201	260	L.F.	RAILING FACED, AS PER PLAN (50" HIGH)
518	12700	12	EACH	SCUPPER, VERTICAL EXTENSION
518	63300	LUMP	L.S.	SCUPPER AND DRAINAGE PIPE CLEANOUT
601	20001	28	S.Y.	CRUSHED AGGREGATE SLOPE PROTECTION, AS PER PLAN
519	11100	7	S.F.	PATCHING CONCRETE STRUCTURE
845	40210	1557	S.Y.	LATEX MODIFIED CONCRETE, MISC. OVERLAY (1 3/4" THICK) ON EXISTING DECK.
845	11000	16	C.Y.	LATEX MODIFIED CONCRETE OVERLAY (VARIABLE THICKNESS)
845	30000	1	C.Y.	FULL DEPTH REPAIR

\* SEE PROPOSAL NOTE

## PROPOSED WORK

- MODIFY PARAPETS ON THE SUPERSTRUCTURE & ABUTMENTS. SEAL PARAPETS AS SHOWN ON PLANS. (INSTALL PLATES FOR STRIP SEAL EXP. JT.)
- SCARIFY EXISTING DECK 1/4", AND REMOVE DETERIORATED CONCRETE AS DIRECTED BY THE ENGINEER.
- REFURBISH BEARINGS.
- PLACE 1 3/4" THICK LATEX MODIFIED CONCRETE ON DECK.
- SEAL PIERS & BACKWALL.
- RECONSTRUCT ABUTMENT BACKWALLS ABOVE APPROACH SLAB SEAT.
- SEAL EXPANSION JOINT WITH STRIP SEAL.
- PLACE GUARDRAIL AS SHOWN ON ROADWAY PLANS.
- TRIM BEAM ENDS TO 2" CLEARANCE (OR AS CLOSE TO 2" AS POSSIBLE).
- EXTEND SCUPPERS.
- PAINT EXISTING STEEL STRUCTURE WITH SYSTEM OZEU.
- REPAIR SLOPE PROTECTION.
- ONE LANE OF TRAFFIC SHALL BE MAINTAINED ON THE BRIDGE AT ALL TIMES. FOR NOTES SEE MAINTAINANCE OF TRAFFIC PLANS.
- OTHER WORK AS DESCRIBED IN THESE PLANS.

**WOOLPERT CONSULTANTS**  
 409 E. MONUMENT AVENUE  
 DAYTON, OHIO 45402-1226  
 (513) 461-5660

4 / 4

### QUANTITIES AND GENERAL NOTES

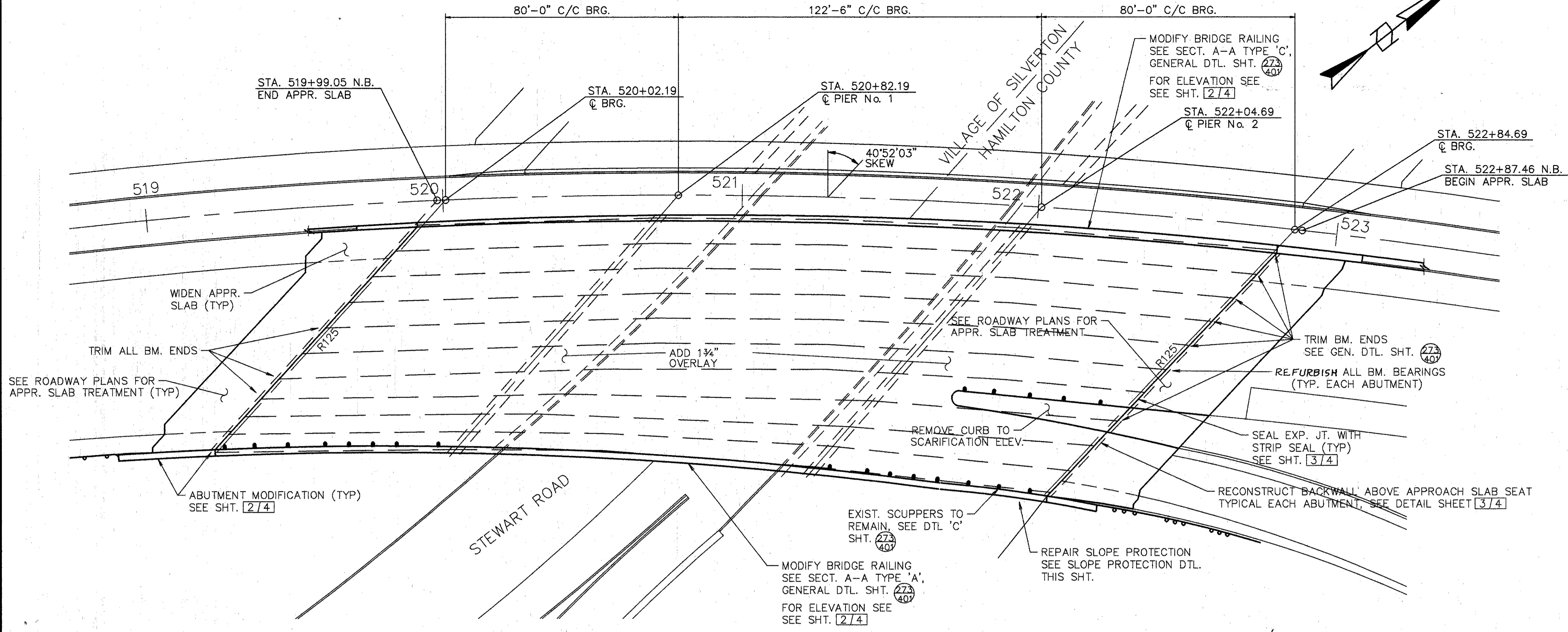
BRIDGE NO. HAM-71-1063 L  
 OVER CO. RD. No. 327

HAMILTON COUNTY

DESIGNED	DRAWN	TRACED	CHECKED	REVIEWED	DATE	REVISED
L.A.T.M.	D.E.E.		M.A.A.	D.E.M1	11/94	

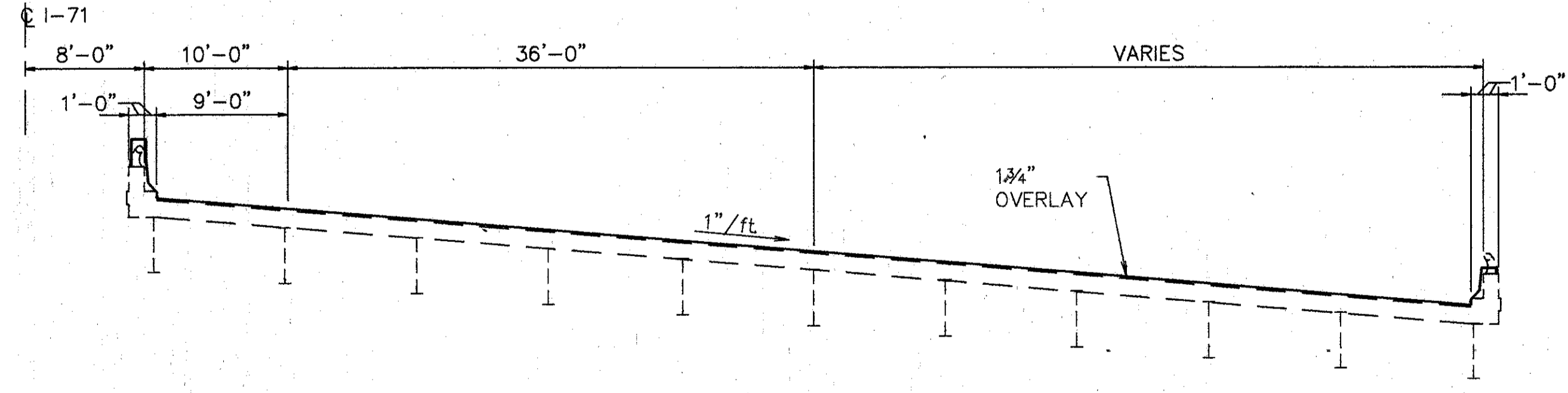
L.A.T.M. 17, 1991 © 7:57 AM  
 C:\STR\10596-CV\032917.Lot Revision By RACH MAY 17, 1994 © 2:07 PM



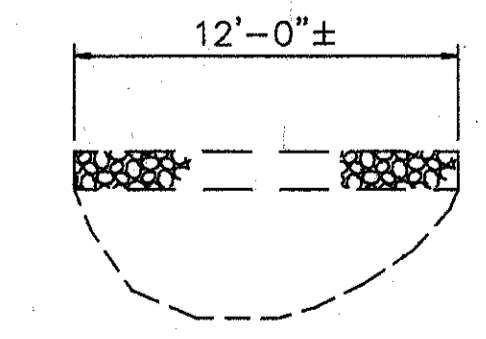
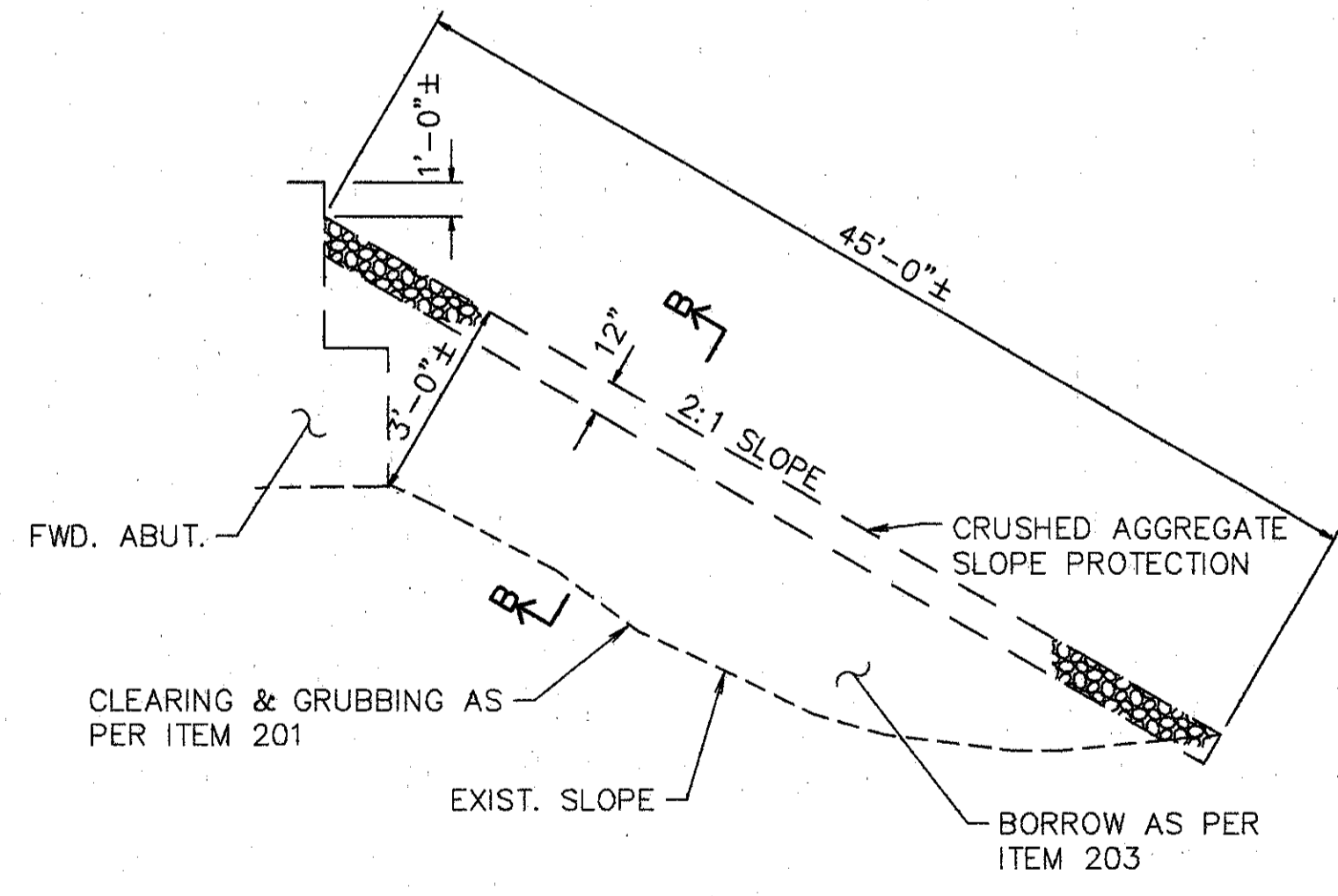


- NOTES:**
- EXTEND ALL SCUPPERS. FOR DTL., SEE GEN. DTL. SHT. [273/401]
  - SEAL PARAPETS, PIERS, & BACKWALLS.
  - PAINT EXIST. STEEL STRUCTURE WITH SYSTEM OZEU.

ROCKER OR BOLSTER SIZE	JACK CAPACITY REQ'D. (MIN)
R125	100 TON



TYP. BRIDGE SECTION



SECTION B-B

**SLOPE PROTECTION REPAIR**

SLOPE PROTECTION REPAIR SHALL BE PAID FOR AS ITEM 601, CRUSHED AGGREGATE SLOPE PROTECTION AS PER PLAN. THE PRICE BID PER SQ. YARD SHALL INCLUDE CLEARING & GRUBBING, AND BORROW AS REQUIRED TO CONFORM TO THE SLOPE AS SHOWN.

**EXISTING STRUCTURE**

TYPE: CONTINUOUS STEEL GIRDER WITH REINFORCED CONCRETE DECK & SUBSTRUCTURE  
 SPANS: 80'-0", 122'-6", 80'-0"  
 ROADWAY: VARIES F-F PARAPET  
 SKEW: 40°-52'-03" LT. FORWARD  
 LOADING FREQUENCY: C.F.=2000 (57) ADEQUATE FOR A.A.S.H.T.O. ALTERNATE LOADING  
 WEARING SURFACE: 1" MONOLITHIC CONCRETE  
 APPROACH SLABS: AS-1-54 (25'-0" LONG)  
 ALIGNMENT: 3' HORIZONTAL CURVE TO THE RIGHT  
 SUPERELEVATION: 0.0833'/FT.  
 CURB: 1'-0" EACH SIDE

**WOOLPERT CONSULTANTS**  
 409 E. MONUMENT AVENUE  
 DAYTON, OHIO 45402-1226  
 (513) 461-5660

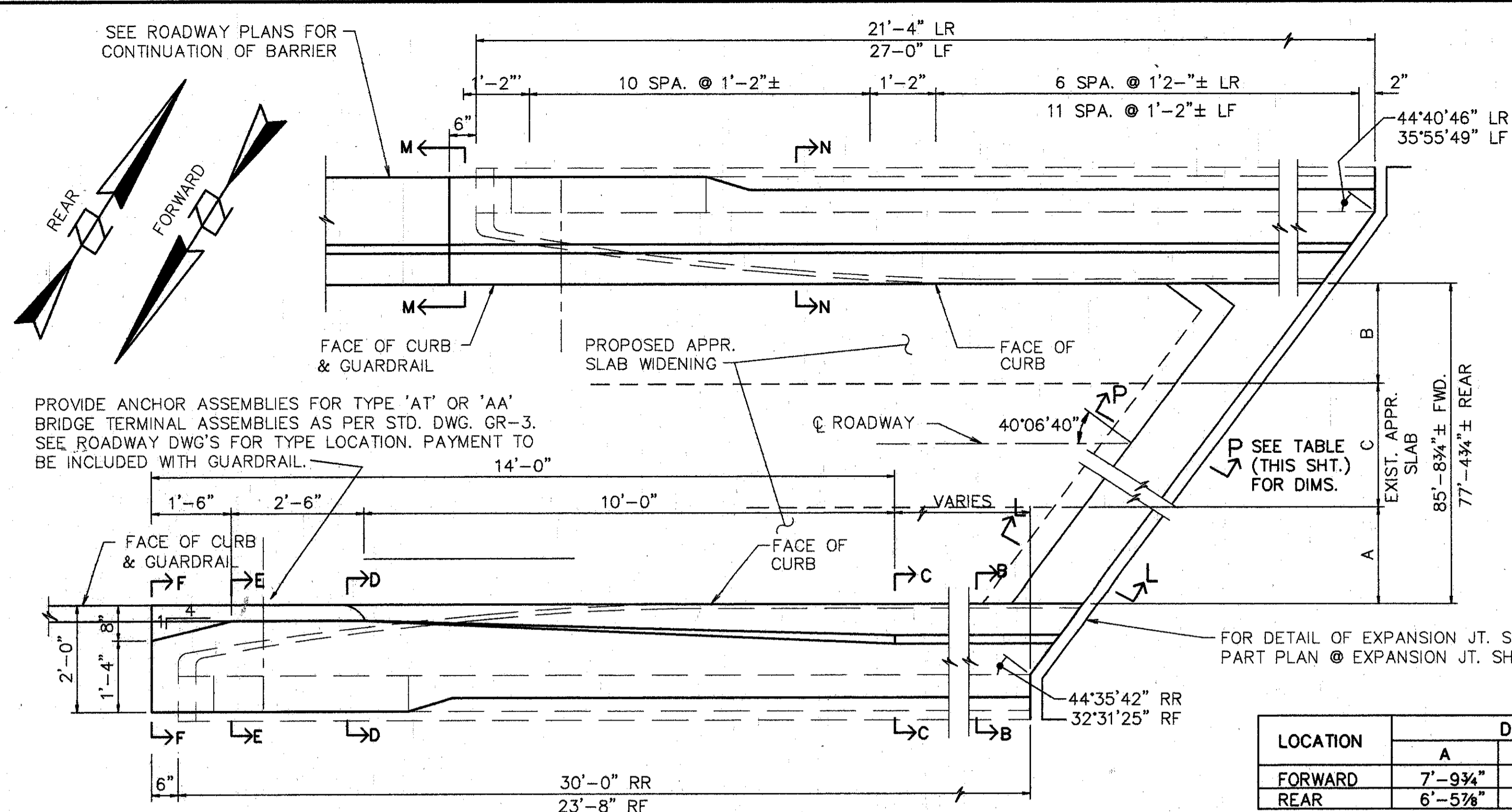
**GENERAL PLAN**

BRIDGE NO. HAM-71-1063 R  
 OVER CO. RD. NO.327

HAMILTON COUNTY

DESIGNED	DRAWN	TRACED	CHECKED	REVIEWED	DATE	REVISED
L.A.T.M.	D.E.E.		M.A.A.	D.E.M11/11/94		

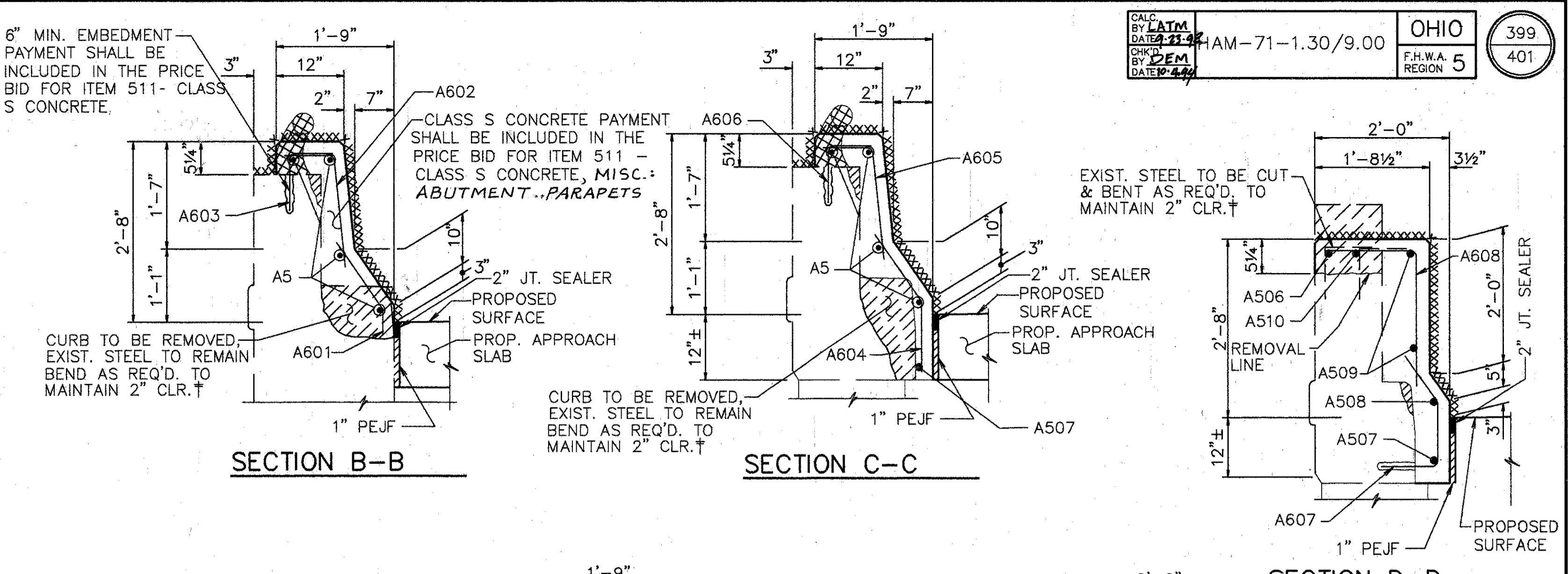
Last File MAY 16, 1994 @ 2:52 AM  
 C:\PDR\10598-03\71-1063R.Lent.Revision.Dwg



LOCATION	DIMENSIONS		
	A	B	C
FORWARD	7'-9 3/4"	6'-11 3/4"	70'-11 1/4"
REAR	6'-5 7/8"	11'-2"	59'-8 7/8"

**PLAN - ABUTMENT MODIFICATION**

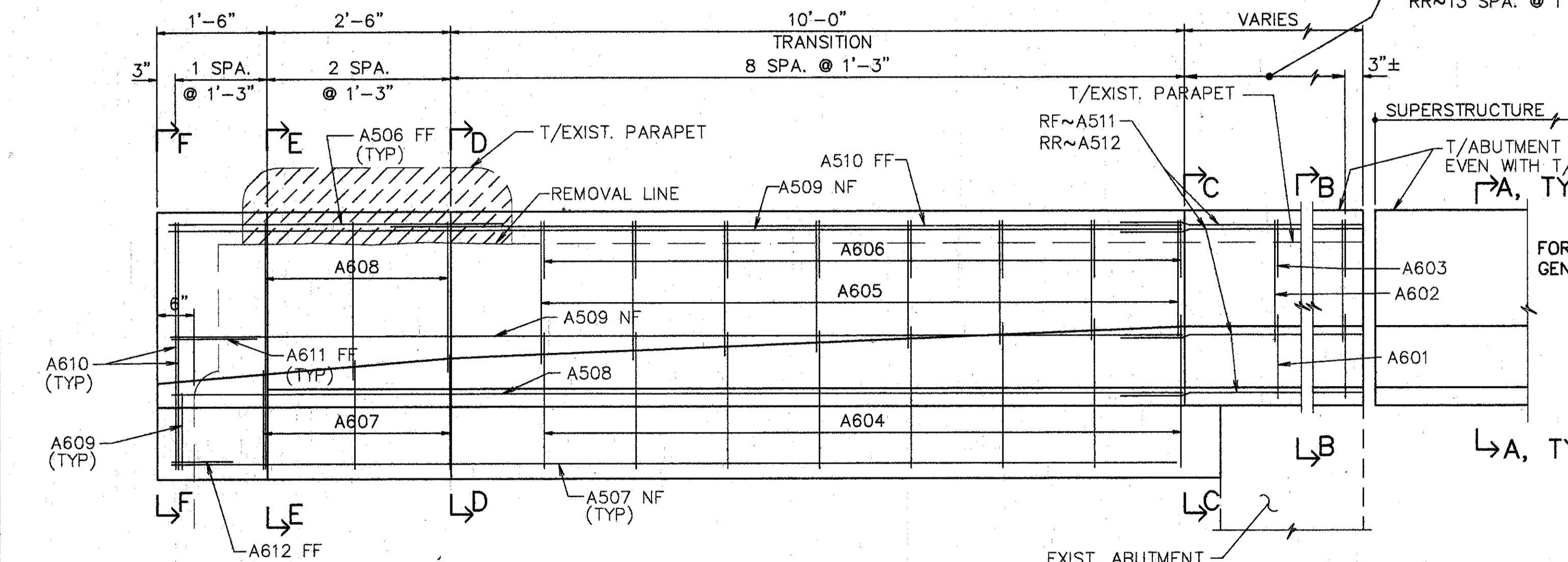
REAR SHOWN, FORWARD OPPOSITE HAND W/SAME SKEW (SEE GENERAL PLAN FOR WINGWALL ORIENTATION FOR FORWARD ABUTMENT)



**SECTION B-B**

**SECTION C-C**

**SECTION D-D**



**ELEVATION - RIGHT WALL**

(FORWARD SHOWN, REAR OPPOSITE)

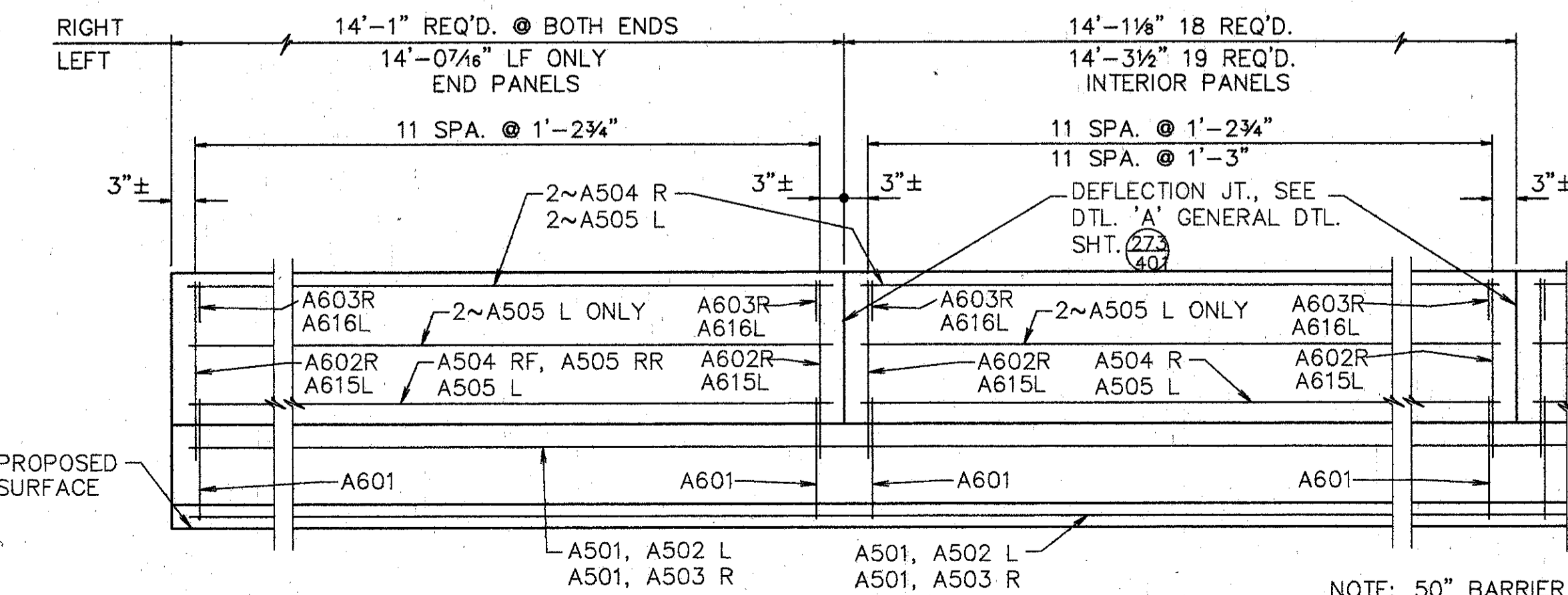
A, TYPE C LEFT, TYPE A RIGHT

A, TYPE C LEFT, TYPE A RIGHT

- EXIST. CURB & PARAPET TO BE REMOVED UNDER ITEM 202 - PORTIONS OF STRUCTURES REMOVED.
- EXIST. RAILING & POSTS TO BE REMOVED & STACKED NEATLY ALONG THE RIGHT-OF-WAY FOR DISPOSAL BY THE CONTRACTOR. ALL WORK SHALL BE INCLUDED IN THE PRICE BID FOR ITEM 202 - PORTIONS OF STRUCTURE REMOVED.
- XXXXXX SURFACES TO BE SEALED UNDER ITEM SPECIAL - SEALING OF CONCRETE SURFACES.

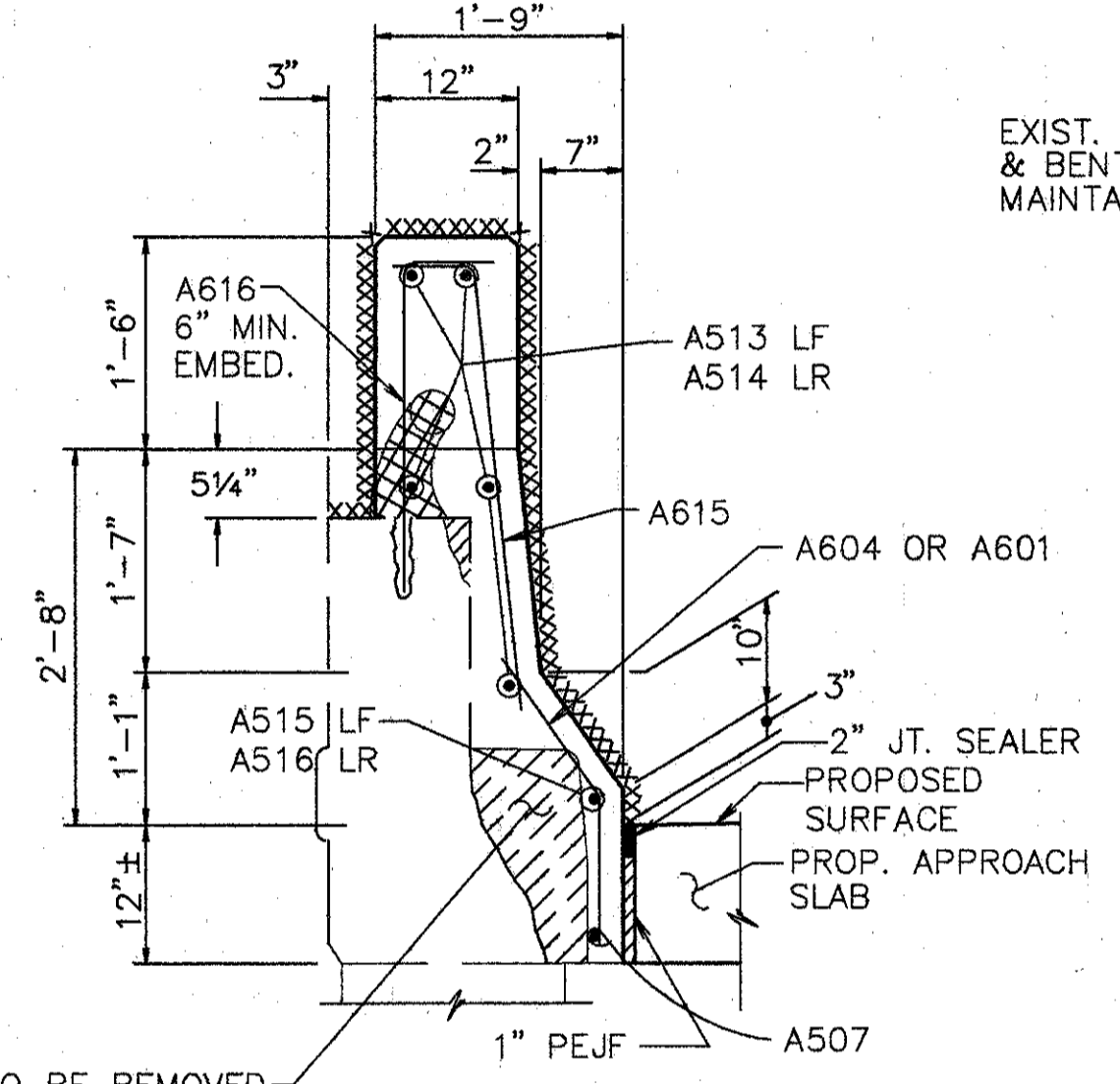
- NOTES:**
- L DENOTES LEFT SIDE
  - R DENOTES RIGHT SIDE
  - RF DENOTES RIGHT FORWARD
  - LF DENOTES LEFT FORWARD
  - RR DENOTES RIGHT REAR
  - LR DENOTES LEFT REAR
  - NF DENOTES NEAR FACE
  - FF DENOTES FAR FACE

- NOTES:**
- TYPE "A" WATERPROOFING AT THE BRIDGE LIMIT END OF THE APPROACH SLAB (AS PER STD. DWG. AS-1-81) SHALL BE INCLUDED IN THE PRICE BID FOR ITEM 611 APPROACH SLAB.

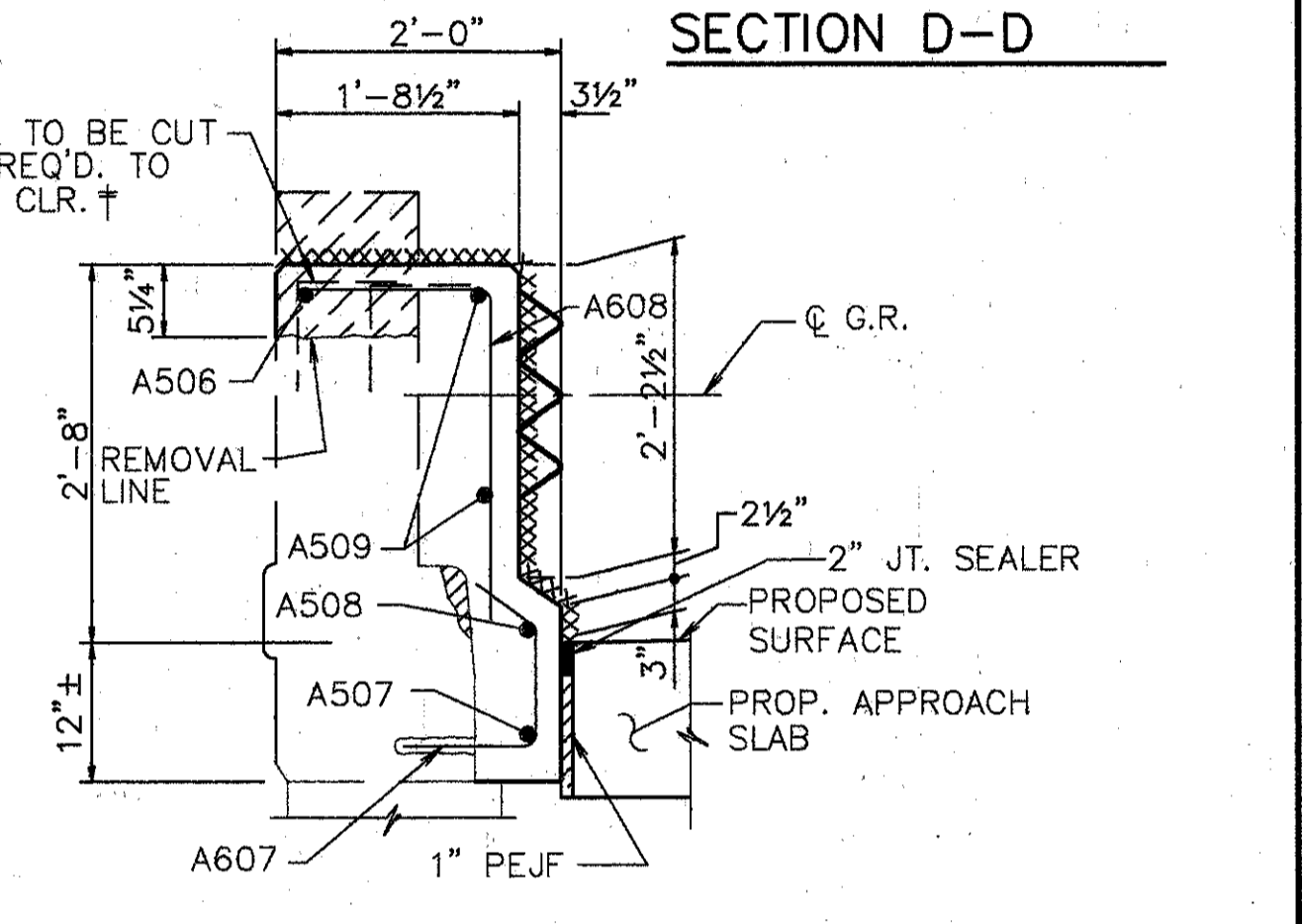


**ELEVATION SUPERSTRUCTURE PARAPET**

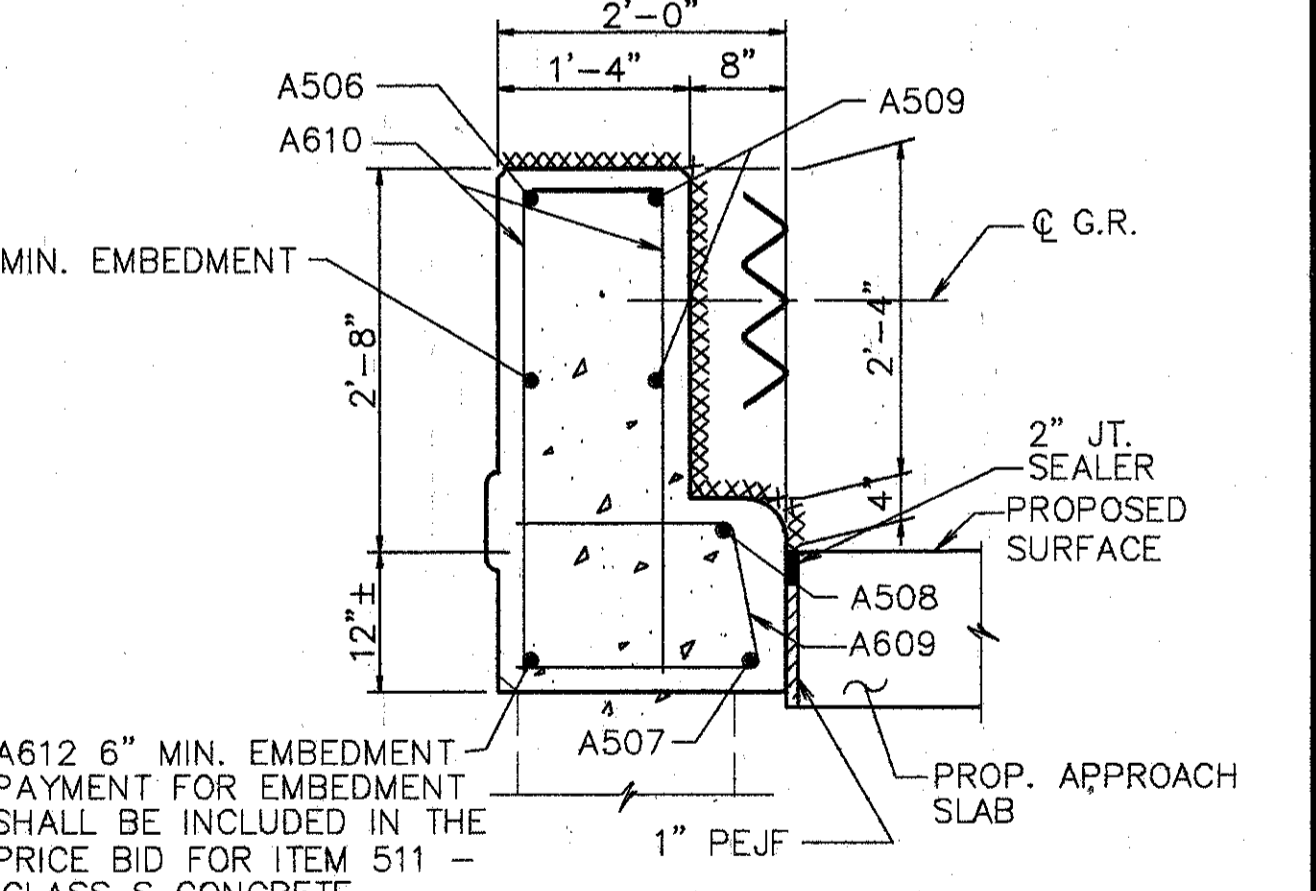
NOTE: 50" BARRIER ON LEFT 32" BARRIER ON RIGHT



**SECTION N-N**



**SECTION E-E**



**SECTION F-F**

† BARS SHALL REMAIN. CONTRACTOR SHALL EXERCISE CAUTION TO ENSURE THAT THESE BARS ARE NOT DAMAGED DURING THE CONC. REMOVAL OPERATION. ANY BARS DAMAGED AS A RESULT OF THE CONTRACTOR'S OPERATION SHALL BE REPLACED OR REPAIRED BY THE CONTRACTOR AT HIS EXPENSE. METHOD OF REPAIR OR REPLACEMENT WILL BE AT THE DISCRETION OF THE DIRECTOR.

NOTE: FOR SECTIONS NOT SHOWN SEE SHEET 3/4

**WOOLPERT CONSULTANTS**  
 409 E. MONUMENT AVENUE  
 DAYTON, OHIO 45402-1226  
 (513) 461-5660

**PARAPET SECTIONS AND DETAILS**

BRIDGE NO.: HAM-71-1063 R  
 OVER CO. RD. No. 327

HAMILTON COUNTY

DESIGNED	DRAWN	TRACED	CHECKED	REVIEWED	DATE	REVISED
L.A.T.M.	D.E.E.		M.A.A.	D.E.M/11/94		

Last Plot MAY 15, 1991 @ 8:47 PM  
 G:\V\10596-00\1059600.dwg  
 OCT. 5, 1990 @ 10:27 AM  
 Plot Revision By: RACH





