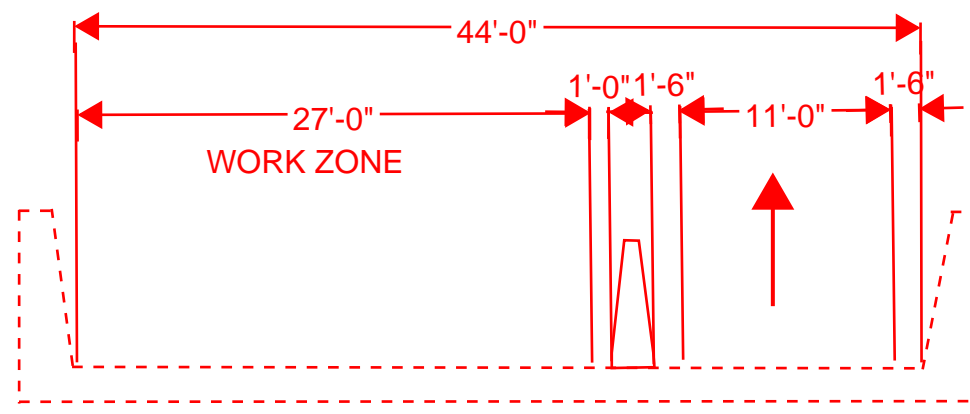
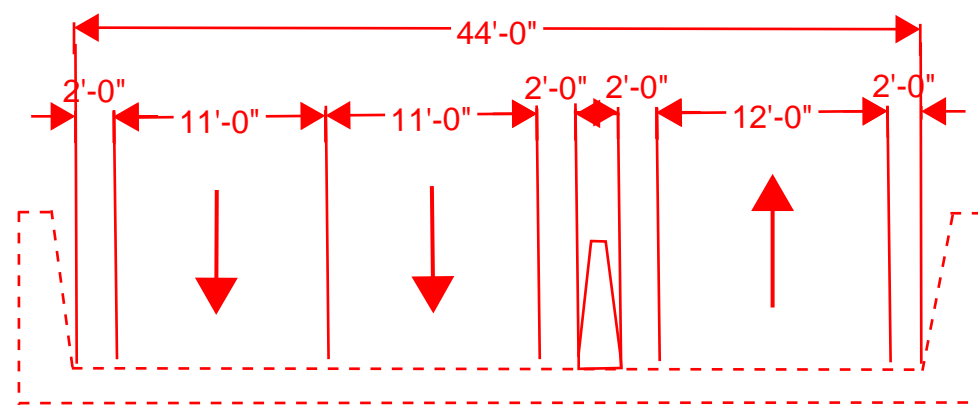
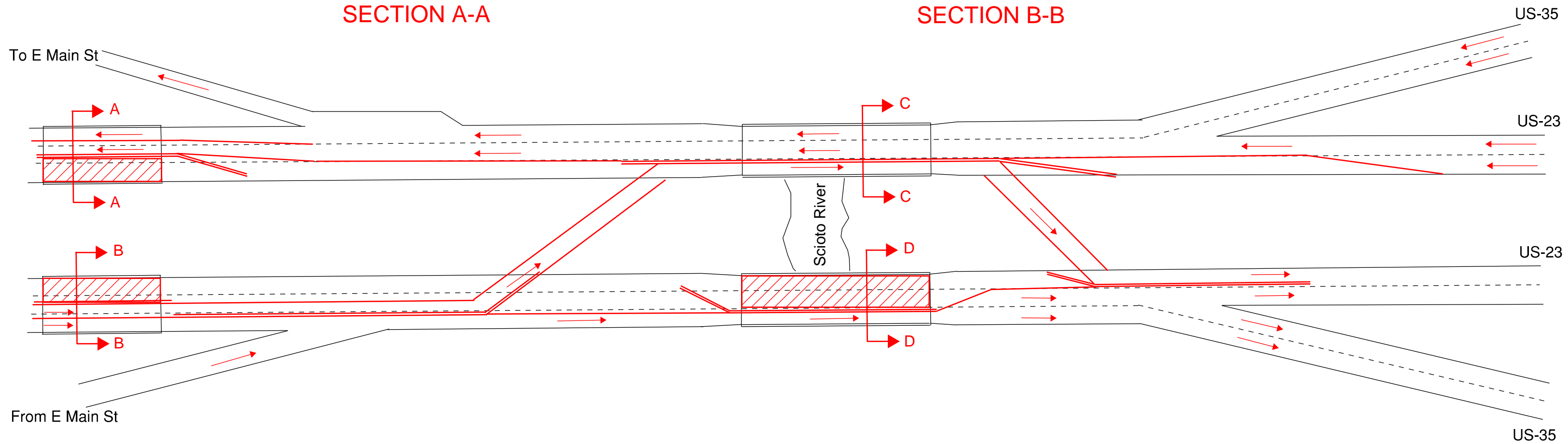
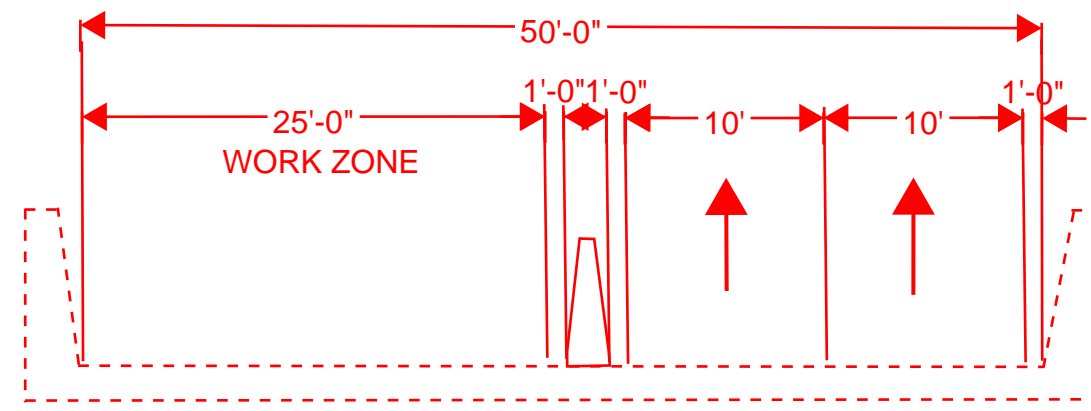
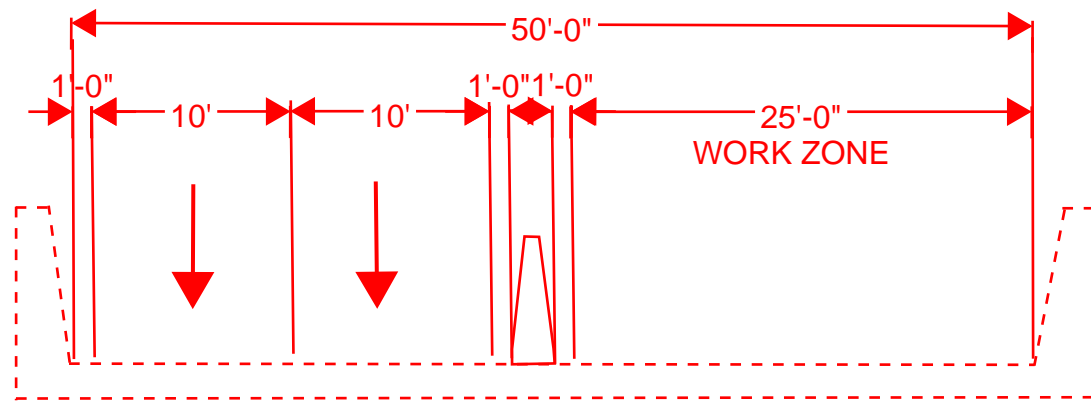
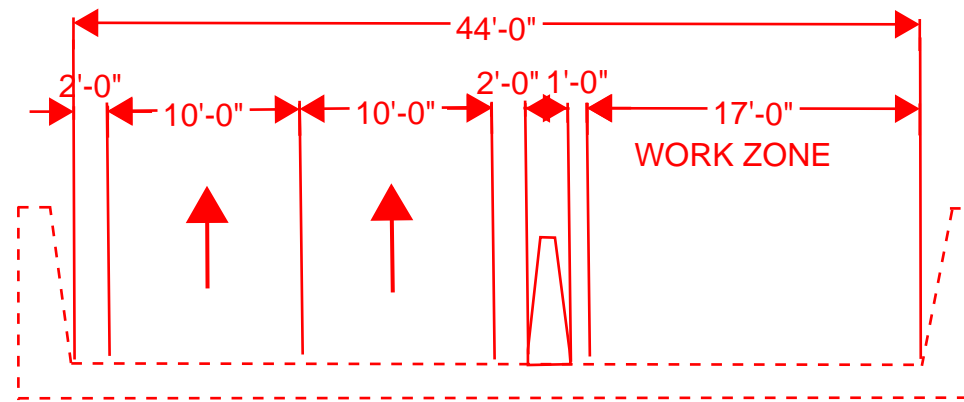
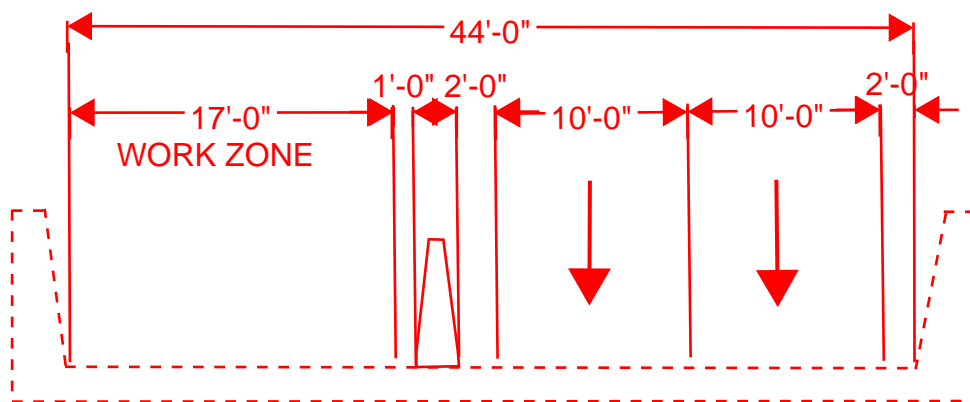
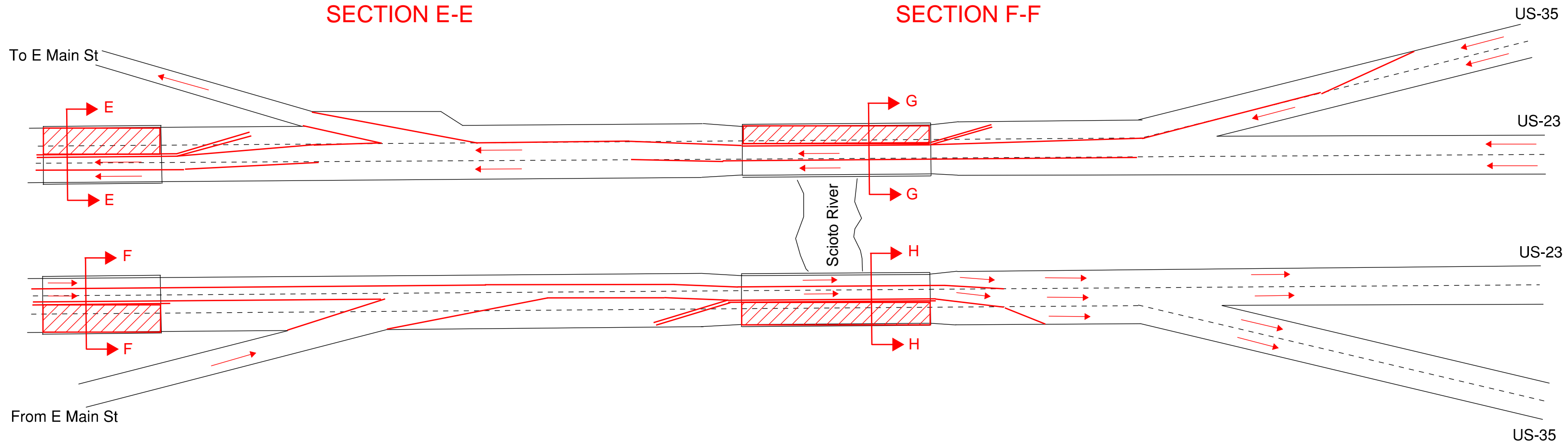
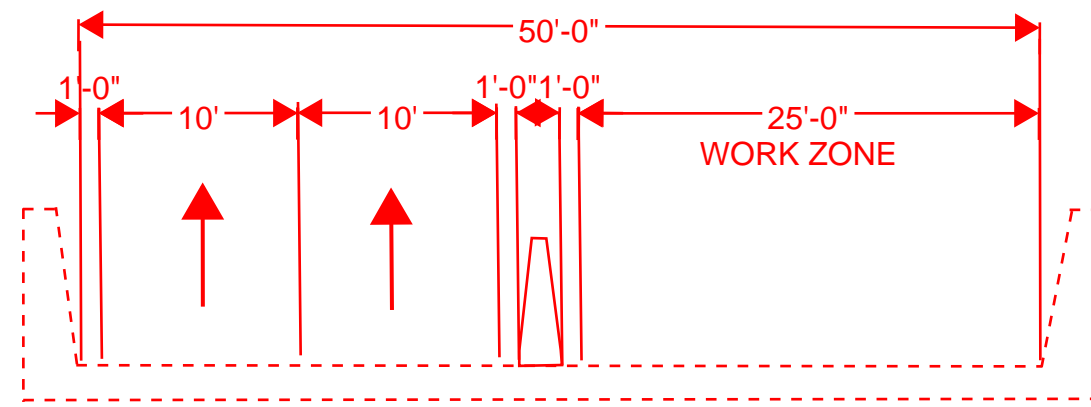
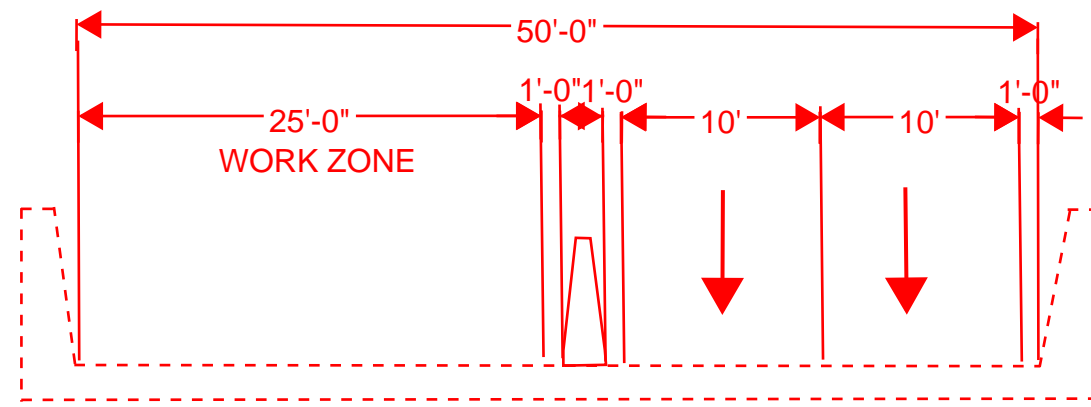


Phase 1



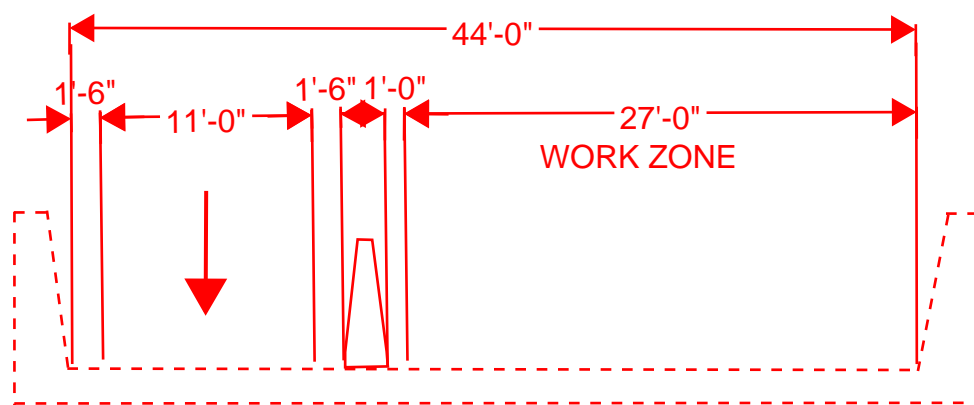
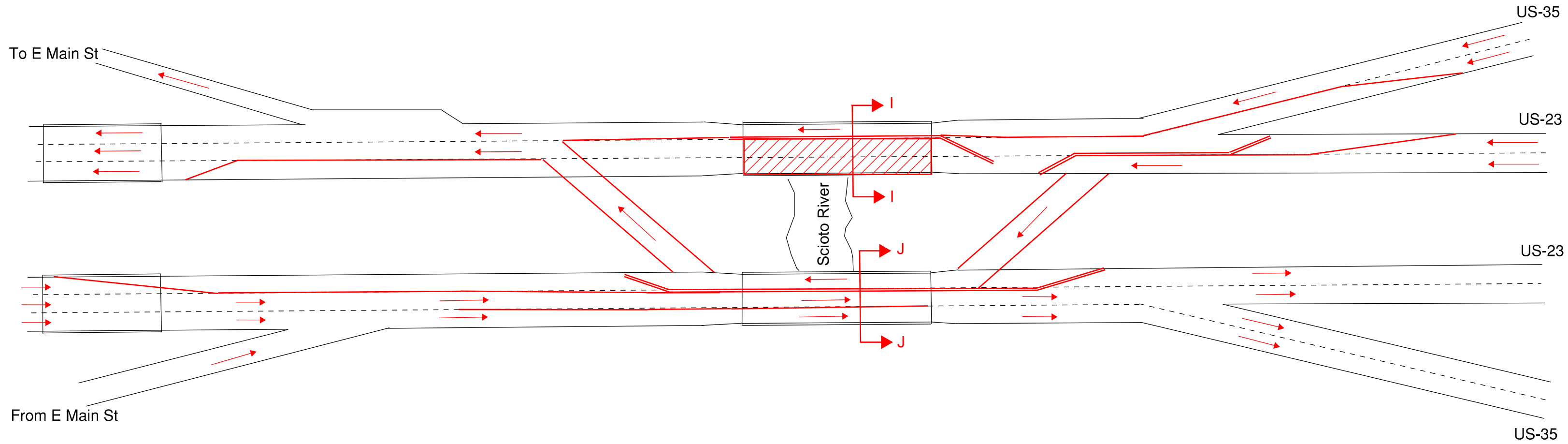
Phase 2



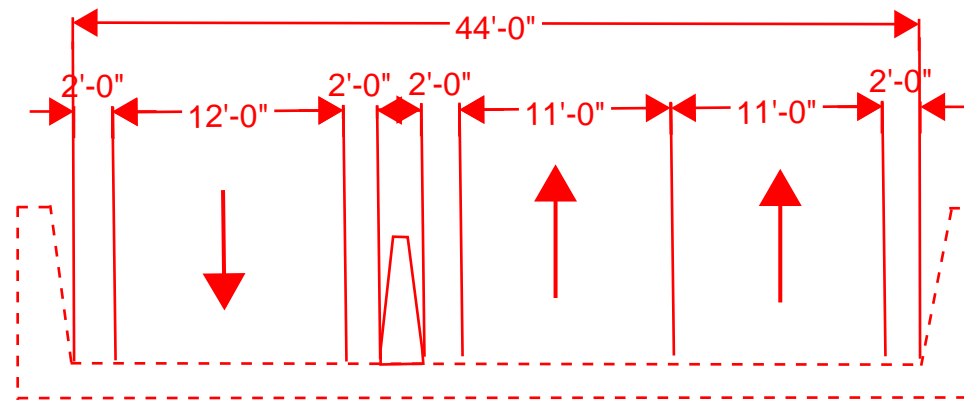
SECTION G-G

SECTION H-H

Phase 3



SECTION I-I



SECTION J-J