

VOLUME COUNT SUMMARY

Date Counts Taken 11-15-94

County Adams

Location S.R. 125 & S.R. 136

SEASONAL FACTOR 1.00 APPLIED

70⁹⁰

HOUR	MAJOR STREET	<u>West APP.</u>		<u>East APP.</u>		WARRANT 1	WARRANT 2
		<u>TOTAL</u>	<u>TOTAL</u>	<u>TOTAL</u>	<u>TOTAL</u>		
7-8	AM	<u>166</u>	<u>67</u>	<u>107</u>		<u>No</u>	<u>No</u>
8-9	AM	<u>183</u>	<u>80</u>	<u>131</u>		<u>No</u>	<u>No</u>
9-10	AM	<u>130</u>	<u>56</u>	<u>92</u>		<u>No</u>	<u>No</u>
10-11	AM	<u>125</u>	<u>67</u>	<u>71</u>		<u>No</u>	<u>No</u>
	AM	—	—	—		—	—
2-3	PM	<u>156</u>	<u>90</u>	<u>141</u>		<u>No</u>	<u>No</u>
3-4	PM	<u>192</u>	<u>93</u>	<u>155</u>		<u>No</u>	<u>No</u>
4-5	PM	<u>201</u>	<u>107</u>	<u>120</u>		<u>No</u>	<u>No</u>
5-6	PM	<u>172</u>	<u>65</u>	<u>86</u>		<u>No</u>	<u>No</u>
	PM	—	—	—		—	—

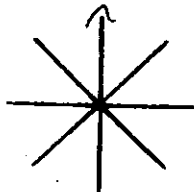
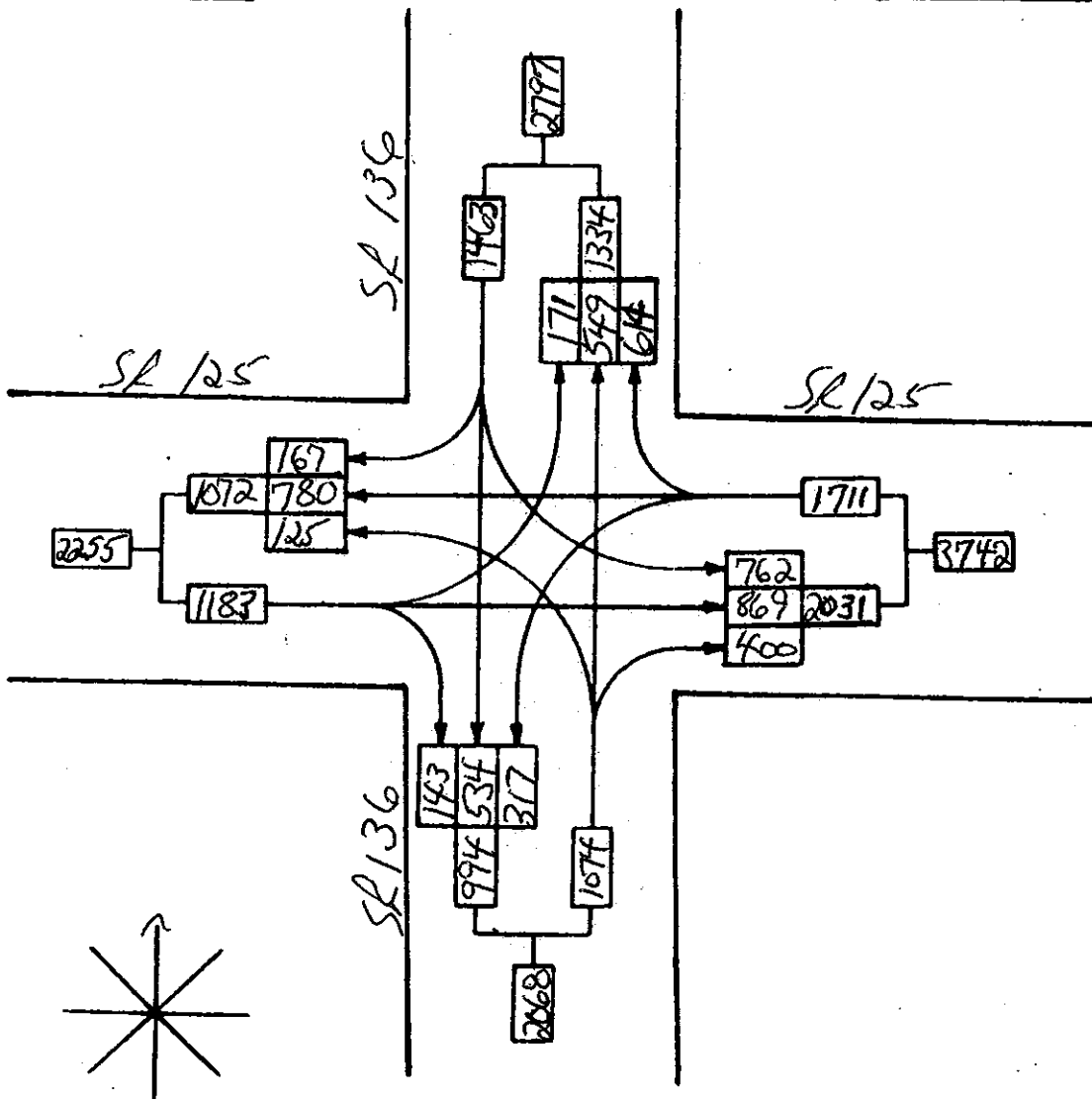
234 (8)

OHIO DEPARTMENT OF TRANSPORTATION
DIVISION OF TRANSPORTATION PLANNING
BUREAU OF TRANSPORTATION TECHNICAL SERVICES

VEHICULAR TRAFFIC AT THE INTERSECTION OF
SR 125 & SR 136 NW of West Union
Adams Co.
ADT 1994

TYPE VEHICLES OBSERVED
Total Vehicles

PERIOD OF OBSERVATION
24 hrs



INDICATE NORTH POINT
BY ARROW

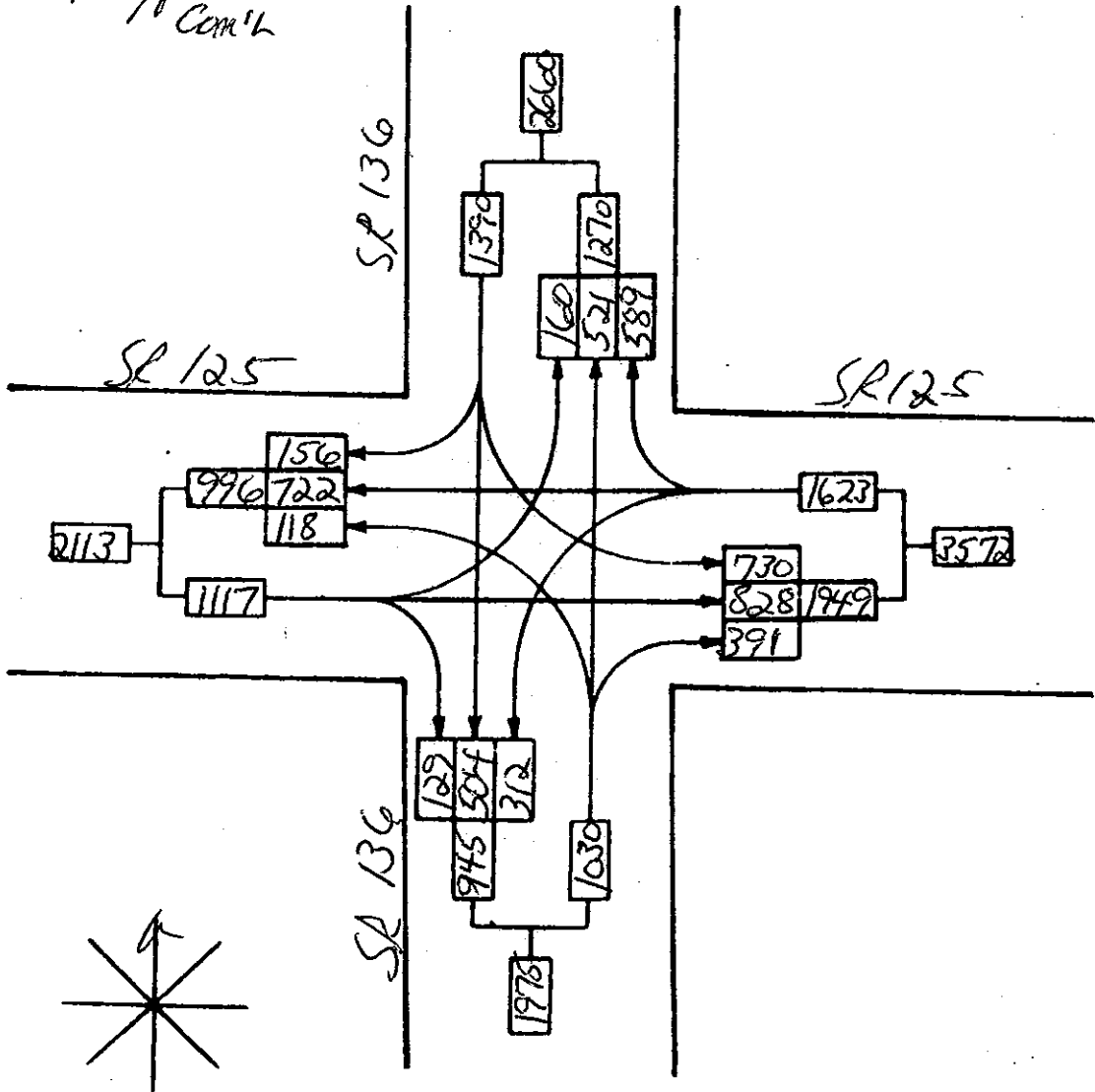
234(B)

OHIO DEPARTMENT OF TRANSPORTATION
DIVISION OF TRANSPORTATION PLANNING
BUREAU OF TRANSPORTATION TECHNICAL SERVICES

VEHICULAR TRAFFIC AT THE INTERSECTION OF
SR 125 & SR 136 NW of West Union
Adams Co.
ADT 1994

TYPE VEHICLES OBSERVED
PASS of Type A
Com'l

PERIOD OF OBSERVATION
24 HRS



INDICATE NORTH POINT
BY ARROW

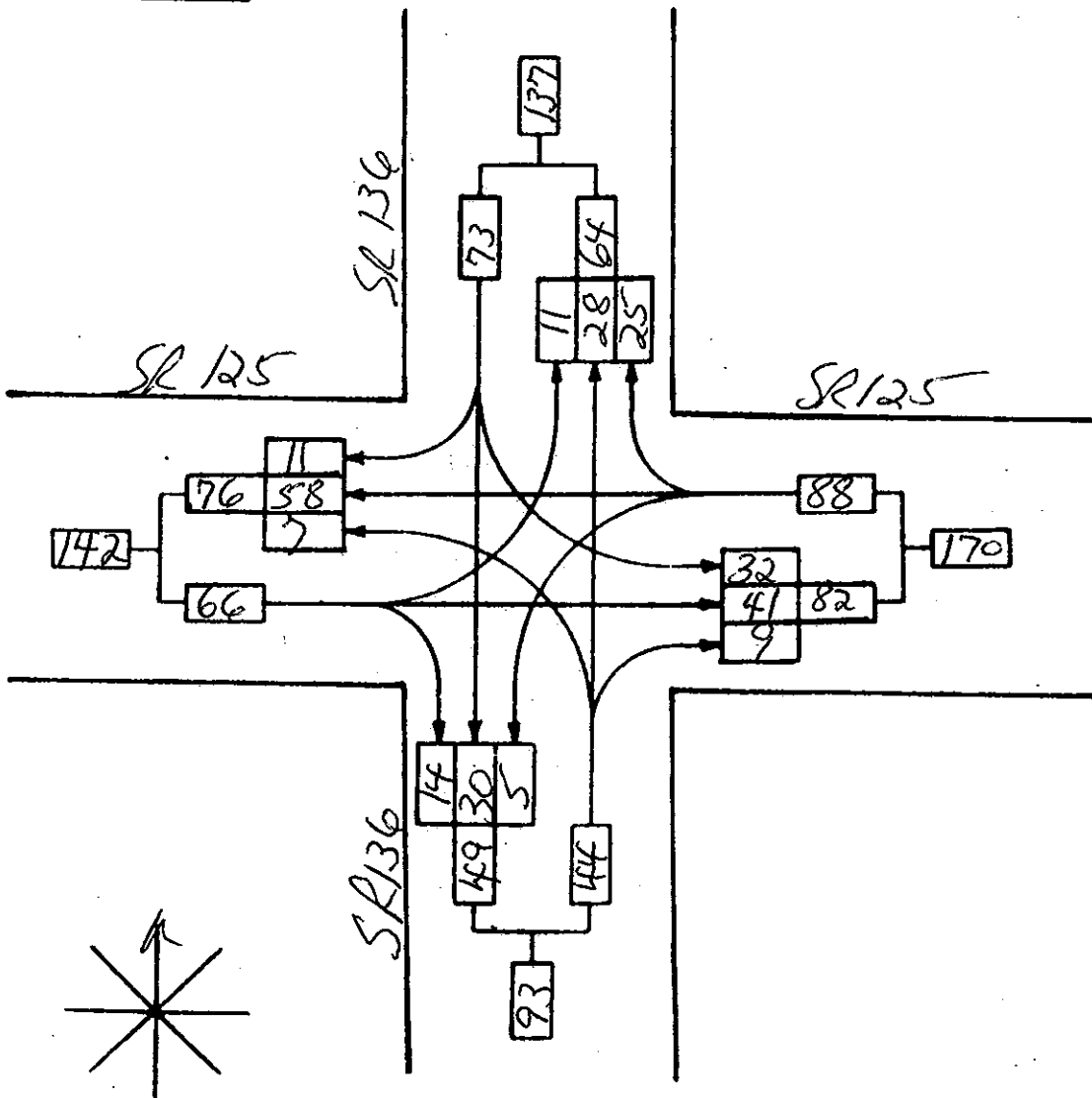
2.3A(B)

OHIO DEPARTMENT OF TRANSPORTATION
DIVISION OF TRANSPORTATION PLANNING
BUREAU OF TRANSPORTATION TECHNICAL SERVICES

VEHICULAR TRAFFIC AT THE INTERSECTION OF
SR 125 & SR 136 NW of West Union
Adams Co
ADT 1994

TYPE VEHICLES OBSERVED
B & C COM'L

PERIOD OF OBSERVATION
24 HRS



INDICATE NORTH POINT
BY ARROW

INTERSECTION TRAFFIC COUNT SHOWING TURNING MOVEMENTS

Station Number : 023A
 County Code : ADA
 Jurisdiction : 01
 Route : 0125R
 Log : 05.00
 Function Class : 07

Count No. : B

HPMS :
 City : _____
 Intersect Location : SR125 & SR136 N.W. OF WEST UNION
 Intersect Code : 4
 Count Code : 8
 Year : 1994

RECORDER	HOUR	PERIOD	DAY	DATE	WEATHER	ROAD CONDITION
Recorder : W. HERBSTREIT	2:00P	6:00P	MON	11/14/94	PTLY-CLDY	DRY
W. HERBSTREIT	7:00A	11:00A	TUE	11/15/94	RAIN	WET
:	:	:	:	/ /		
:	:	:	:	/ /		
:	:	:	:	/ /		

Leg Names : N-SR136
S-SR136
W-SR125
E-SR125

INTERSECT CODE :

COUNT CODE : 8

INTERSECTION TRAFFIC COUNT SHOWING TURNING MOVEMENTS

County Code : ADA

Station Number : 023A

Count No. : B

Intersect Location : SR125 & SR136 N.W. OF WEST UNION

		NORTH - LEG NAME SR136						SOUTH - LEG NAME SR136						WEST - LEG NAME SR125						EAST - LEG NAME SR125						
HOURS		N TO W ←		N TO S ↓		N TO E →		S TO W ←		S TO N ↑		S TO E →		W TO N ↑		W TO E →		W TO S ↓		E TO N ↑		E TO W ←		E TO S ↓		
FROM	TO	PASS	COML	PASS	COML	PASS	COML	PASS	COML	PASS	COML	PASS	COML	PASS	COML	PASS	COML	PASS	COML	PASS	COML	PASS	COML	PASS	COML	
7:00A	8:00A	19	-	34	1	30	1	11	-	44	-	26	-	12	-	51	1	3	-	43	2	52	2	8	-	340
8:00A	9:00A	14	2	33	1	58	2	7	1	32	1	32	-	7	-	60	4	9	-	53	2	44	3	29	-	394
9:00A	10:00A	9	-	16	1	45	-	7	-	22	2	25	3	8	1	32	4	10	1	30	1	38	2	19	2	278
*10:00A	11:00A	6	1	25	2	40	1	6	1	22	-	20	1	11	1	40	4	8	3	24	-	27	4	16	-	263
2:00P	3:00P	4	3	36	3	42	1	3	1	33	3	26	1	16	1	63	2	7	1	42	6	55	2	35	1	387
3:00P	4:00P	8	-	34	4	48	8	15	1	41	4	29	-	9	2	63	2	16	1	53	1	61	12	28	-	440
4:00P	5:00P	12	-	39	2	60	3	6	-	46	1	32	-	17	1	70	5	12	2	35	2	66	5	12	-	428
*5:00P	6:00P	10	-	44	-	61	2	7	-	30	2	16	-	4	-	59	1	3	-	30	-	37	2	17	-	323
8hr tot		82	6	261	14	384	18	62	4	270	13	206	5	84	6	436	23	68	8	310	14	380	32	164	3	2853
24hr FR		190	1.80	193	212	1.90	1.80	1.90	1.80	193	212	1.90	1.80	1.90	1.80	1.90	1.80	1.90	1.80	1.90	1.80	1.90	1.80	1.90	1.80	
24hr tot		156	11	504	30	730	32	118	7	521	28	391	9	160	11	828	41	129	14	589	25	722	58	312	5	5431
Seas Fac		100		100		1.00		1.00		1.00		1.00		1.00		1.00		1.00		1.00		1.00		1.00		
24hr ANT		156	11	504	30	730	32	118	7	521	28	391	9	160	11	828	41	129	14	589	25	722	58	312	5	5431

FIELD SUPERVISOR : RW INITIAL RW ARRIVE 1:45P DEPART 2:00P INITIAL RW ARRIVE 9:45A DEPART 10A

