

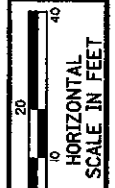
JAN 18 2000
lll
1/18/2000

OHIO DEPARTMENT OF TRANSPORTATION
DISTRICT NINE
INTER - OFFICE COMMUNICATION

DATE: January 14, 2000
TO: Vaughn Wilson, District 9 Highway Management Administrator
ATT: Darrel Armstrong, District 9 Roadway Services Administrator
FROM: Larry Hill, District 9 Planning Administrator
BY: Greg Baird, District 9 Studies Engineer
Subject: Jac-124/327 4 way stop

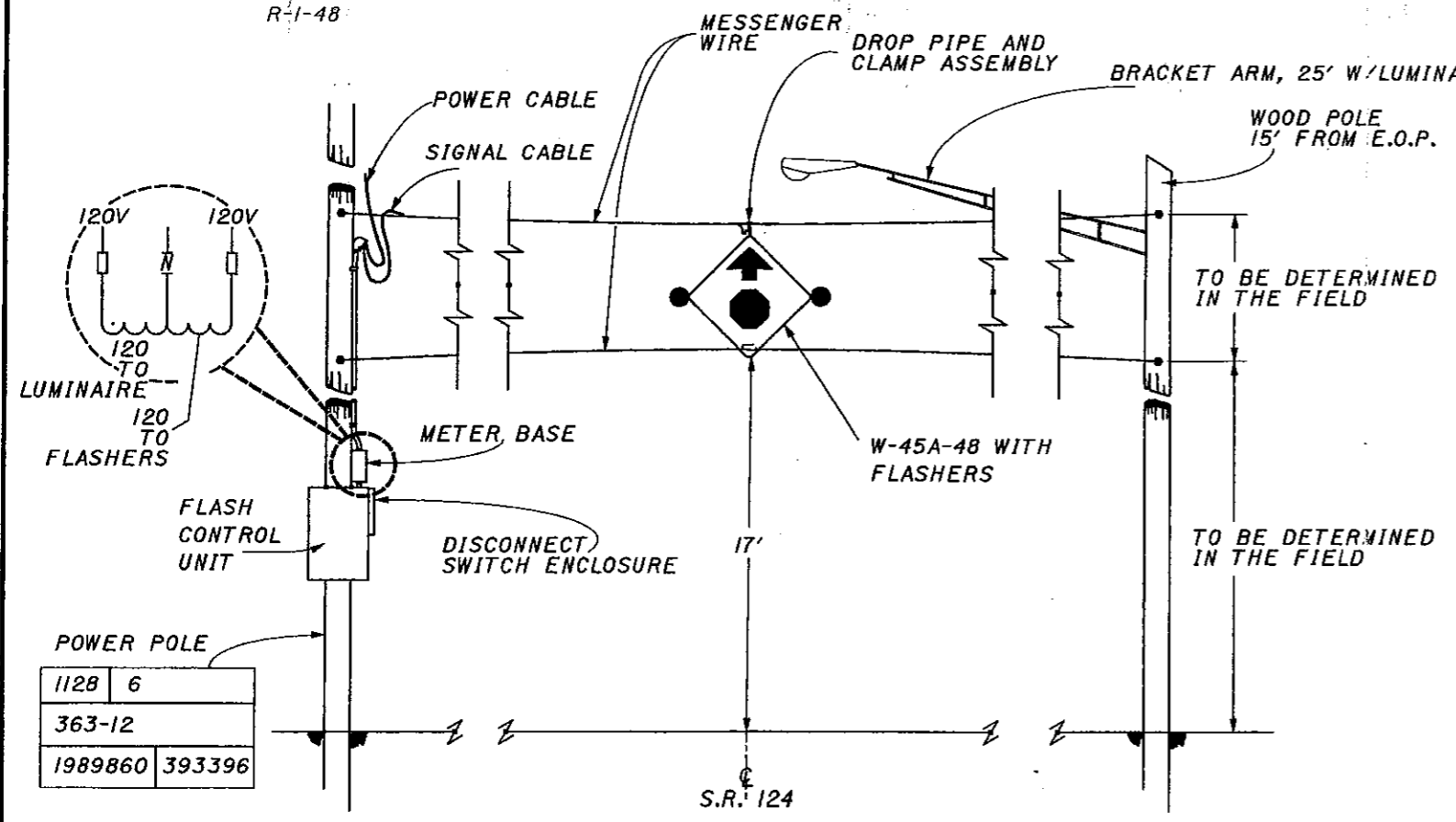
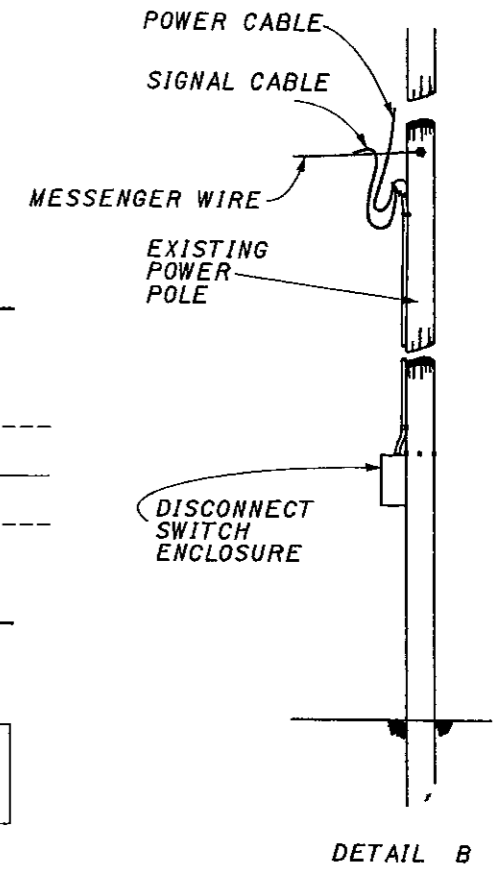
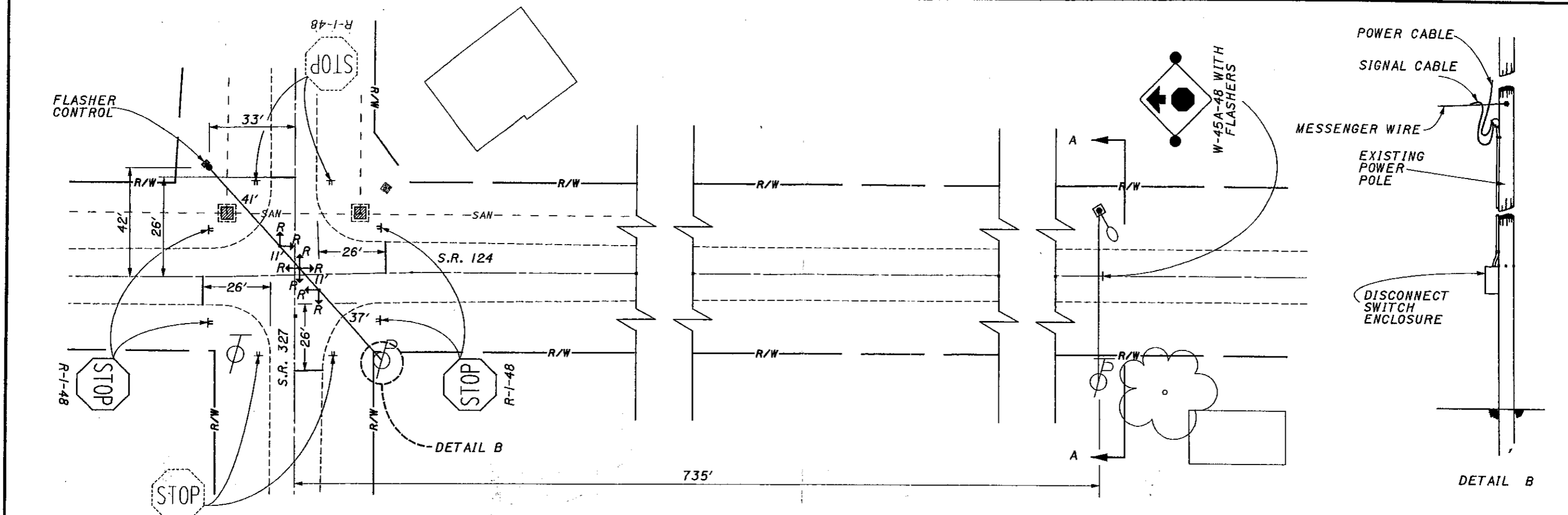
Attached is the plan to install a 4-way stop flasher installation at this intersection, with an overhead stop ahead flasher on the east leg of the intersection.

cc: Chaffin, Davis, Kinnison, file



CALCULATED
LRB
CHECKED
DLH

S.R. 124 & S.R. 327 FOUR-WAY STOP
FLASHER INSTALLATION



1128	6
363-12	
1989860	393396

1	EACH	LUMINAIRE, CONVENTIONAL
1	EACH	BRACKET ARM, 25'
2	EACH	GROUND ROD
56	LIN FT	GROUND MOUNTED SUPPORT, NO. 3 POST
1	EACH	SIGN HANGER ASSEMBLY, SPAN WIRE W/ DROP PIPE
32	SQ FT	SIGN, FLAT SHEET, TYPE G
1	EACH	W45A - FLASHING SIGN ASSEMBLY
2	EACH	VEHICULAR SIGNAL HEAD, 1 SECTION, 12" LENS, 2-WAY
1	EACH	VEHICULAR SIGNAL HEAD, 1 SECTION, 12" LENS, 4-WAY
1	EACH	DISCONNECT SWITCH WITH ENCLOSURE
110	LIN FT	MESSENGER WIRE, 7 STRAND, 3/8" DIAMETER WITH ACCESSORIES
235	LIN FT	POWER CABLE, 3 CONDUCTOR, NO. 8 AWG
647	LIN FT	SIGNAL CABLE, 5 CONDUCTOR, NO. 14 AWG
2	EACH	POWER SERVICE
2	EACH	CONDUIT RISER, 1-1/2" DIAMETER
2	EACH	WOOD POLE
2	EACH	FLASHER CONTROLLER
24	LIN FT	STOP LINE

SECTION A-A