

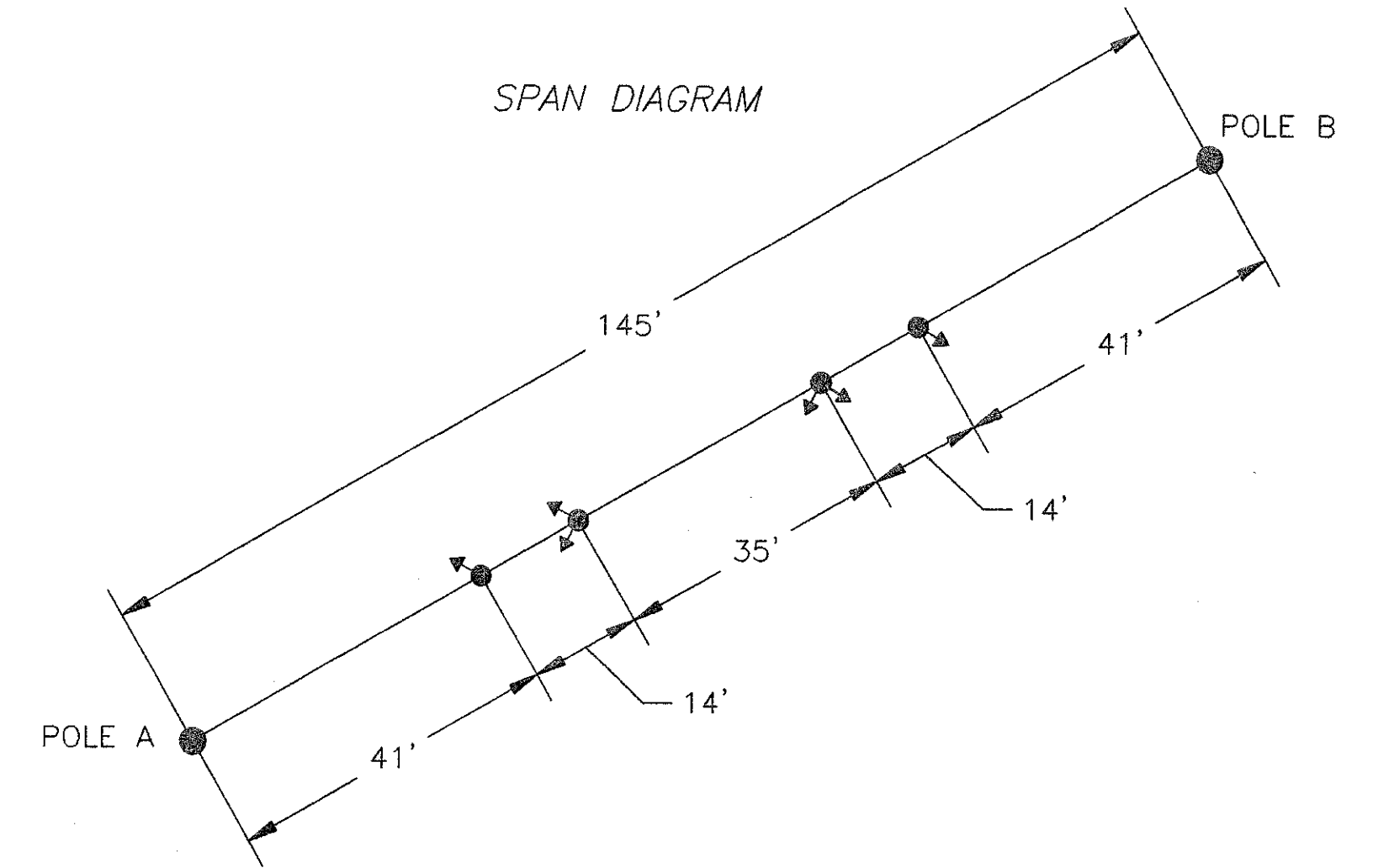
LEGEND:

- C — CABLE TV LINE
- G — GAS LINE
- E — UNDERGROUND ELECTRIC CABLE
- OHE — OVERHEAD ELECTRIC CABLE
- T — UNDERGROUND TELEPHONE CABLE
- OHT — OVERHEAD TELEPHONE CABLE
- — — RIGHT OF WAY
- SAN — SANITARY SEWER
- STM — STORM SEWER
- W — WATER LINE
- — CATCH BASIN
- 2" C — CONDUIT
- ⊠ — CONTROLLER
- ⊕ — ELECTRIC PULL BOX
- ⊙ — FIRE HYDRANT
- ⊗ — GAS VALVE
- ⊙ — LIGHT POLE
- ⊙ — POWER POLE
- ⊙ — PULL BOX
- ⊙ — STRAIN POLE
- ⊙ — TELEPHONE POLE
- ⊙ — WATER VALVE
- ⊙ — 3 OR 4 SECTION SIGNAL HEAD
- ⊙ — 3 SECTION LEFT TURN SIGNAL HEAD
- ⊙ — 5 SECTION SIGNAL HEAD
- ⊙ — PEDESTRIAN SIGNAL HEAD
- ⊙ — EXISTING 3 OR 4 SECTION SIGNAL HEAD
- ⊙ — EXISTING 5 SECTION SIGNAL HEAD
- ⊙ — EXISTING PEDESTRIAN SIGNAL HEAD

SIGNAL HEADS

- ⊙ 3,4
- ⊙ 1,2,5,6

SPAN DIAGRAM



PLANT ENTRANCE
 THE SIGN FLASHER ASSEMBLY SHALL BE LOCATED AT STATION 3+00 AND 6' 6" BEHIND FACE OF GUARDRAIL.

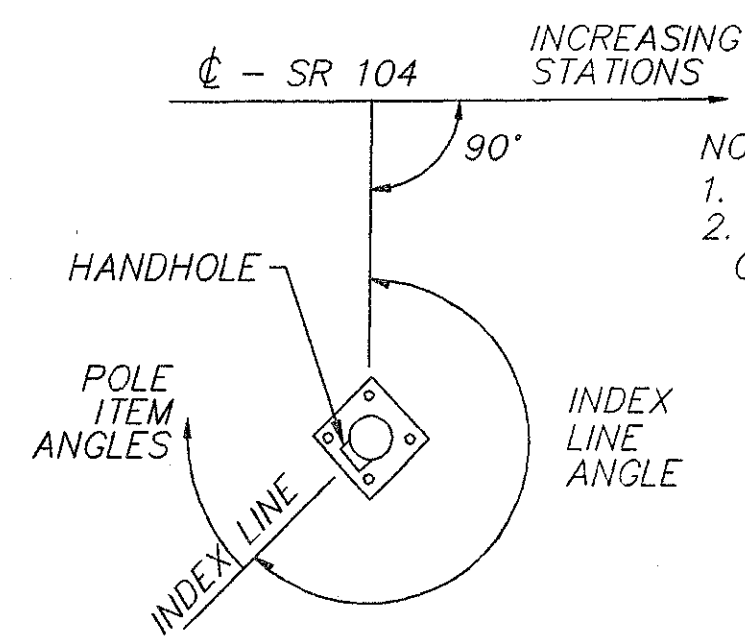
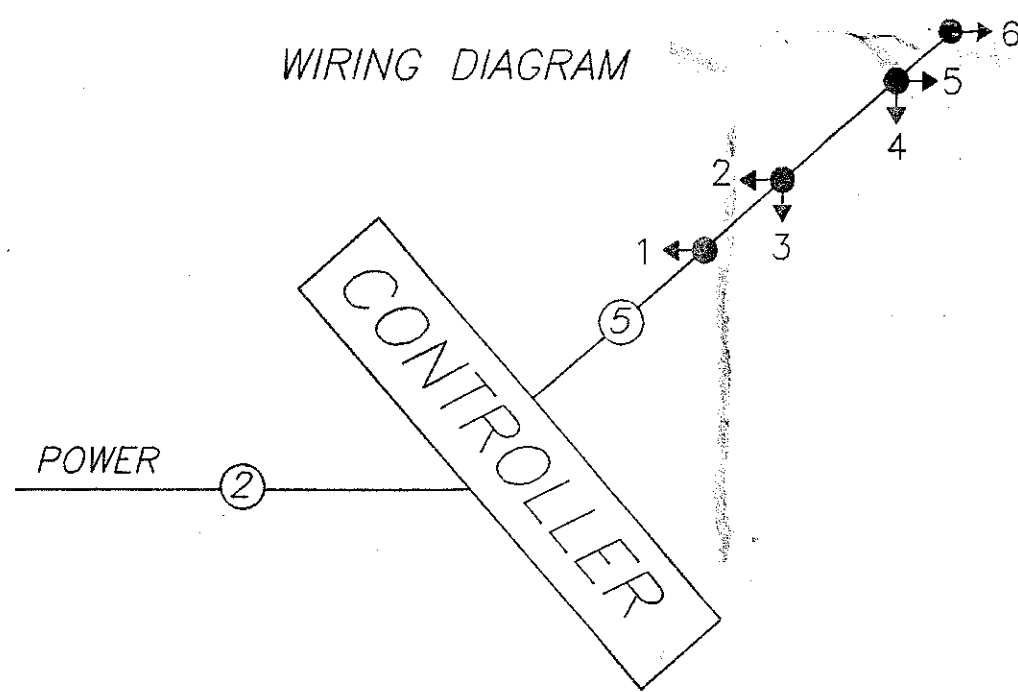
SIGN FLASHER POWER SOURCE
 X = 1866741
 Y = 481701

FLASHER POWER SOURCE
 X = 1867319
 Y = 481248

X = 1867553
 Y = 481148

NOTE:
 SERVICE CABLE SHALL BE RUN OVERHEAD FROM POWER SOURCE TO SIGN FLASHER ASSEMBLY.

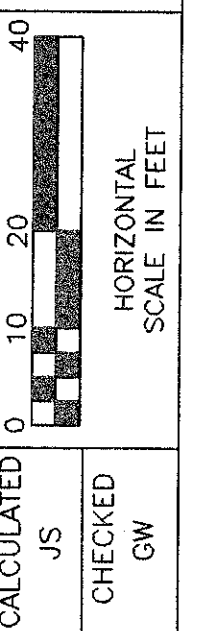
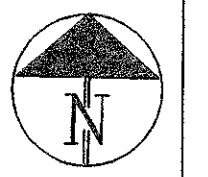
WIRING DIAGRAM



NOTE:
 1. ALL ANGLE MEASURED CLOCKWISE
 2. INDEX LINE GOES THROUGH THE CENTER OF HANDHOLE

POLE ORIENTATION DATA CHART

POLE	DESIGN NO.	STATION & OFFSET	POLE HEIGHT	INDEX ANGLE	PED SIGNALS	PED BUTTONS	POWER SERVICE	CABLE ENTRANCE	2" CAPPED CONDUIT ELL (FUTURE USE)	CONTROLLER
A	TC-81.10 DESIGN 5	11+33, 63' RT	36'	210°	-	-	80°	180°	-	90°
B	TC-81.10 DESIGN 5	12+04, 63' LT	30'	210°	-	-	-	180°	-	-



CALCULATED JUS
 CHECKED GW

MEAD PAPER PLANT NORTH INTERSECTION
 SR 104 AT GATE 20

MEAD PAPER PLANT

3
4