

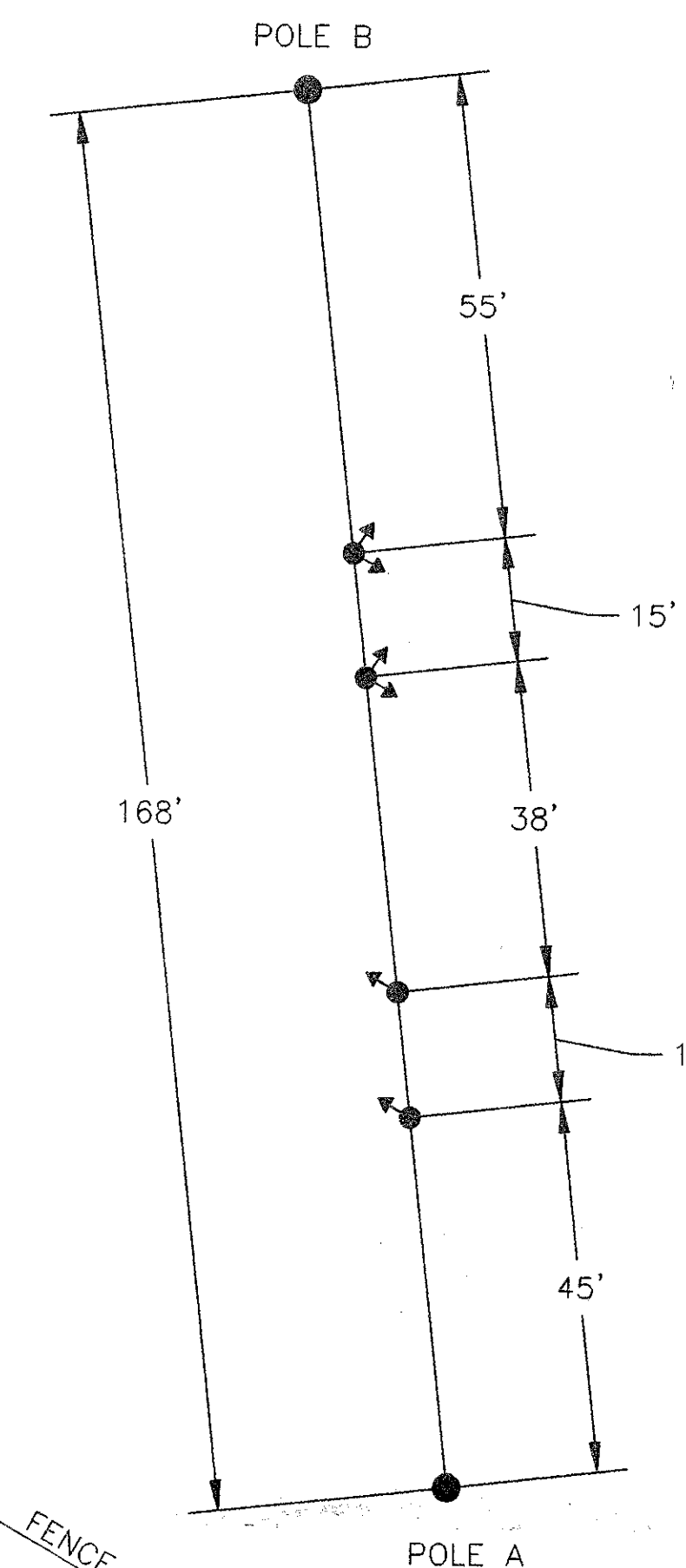
LEGEND:

- C — CABLE TV LINE
- G — GAS LINE
- E — UNDERGROUND ELECTRIC CABLE
- OHE — OVERHEAD ELECTRIC CABLE
- T — UNDERGROUND TELEPHONE CABLE
- OHT — OVERHEAD TELEPHONE CABLE
- — — RIGHT OF WAY
- SAN — SANITARY SEWER
- STM — STORM SEWER
- W — WATER LINE
- ▣ — CATCH BASIN
- 2" C — CONDUIT
- ⊕ — CONTROLLER
- ⊕ — ELECTRIC PULL BOX
- ⊕ — FIRE HYDRANT
- ⊕ — GAS VALVE
- ⊕ — LIGHT POLE
- ⊕ — POWER POLE
- ⊕ — PULL BOX
- ⊕ — STRAIN POLE
- ⊕ — TELEPHONE POLE
- ⊕ — WATER VALVE
- ⊕ — 3 OR 4 SECTION SIGNAL HEAD
- ⊕ — 3 SECTION LEFT TURN SIGNAL HEAD
- ⊕ — 5 SECTION SIGNAL HEAD
- ⊕ — PEDESTRIAN SIGNAL HEAD
- ⊕ — EXISTING 3 OR 4 SECTION SIGNAL HEAD
- ⊕ — EXISTING 5 SECTION SIGNAL HEAD
- ⊕ — EXISTING PEDESTRIAN SIGNAL HEAD

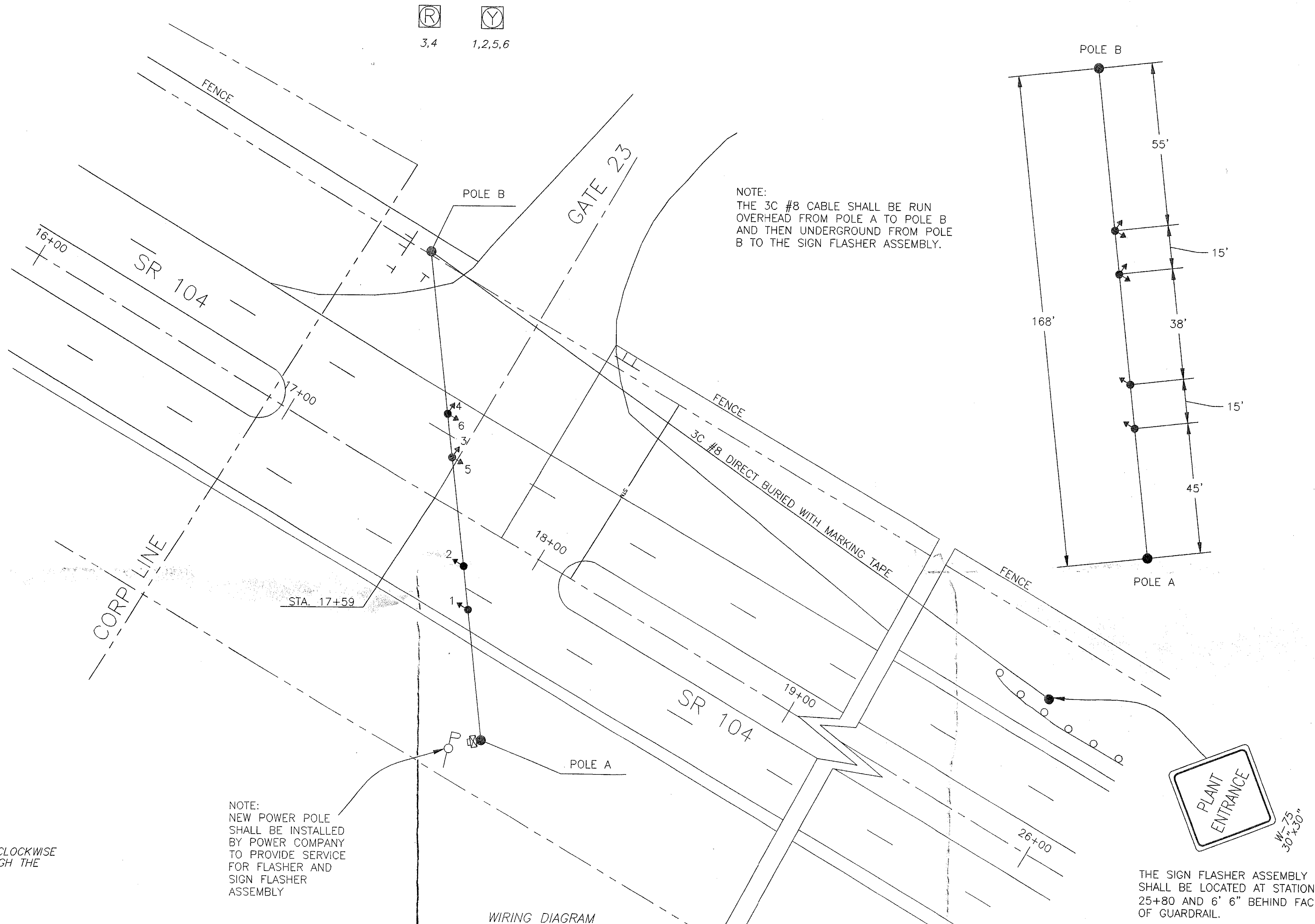
SIGNAL HEADS

- ⊕ (R) 3,4
- ⊕ (Y) 1,2,5,6

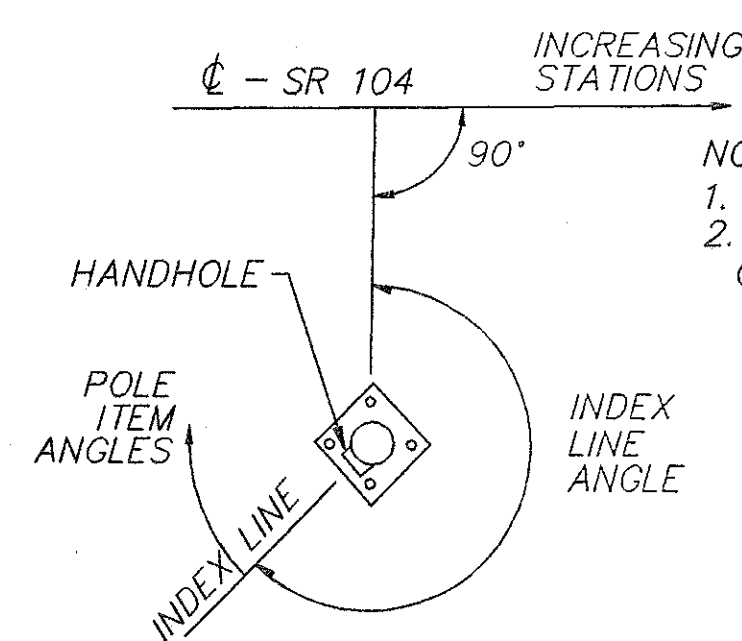
SPAN DIAGRAM



NOTE:
THE 3C #8 CABLE SHALL BE RUN OVERHEAD FROM POLE A TO POLE B AND THEN UNDERGROUND FROM POLE B TO THE SIGN FLASHER ASSEMBLY.



NOTE:
NEW POWER POLE SHALL BE INSTALLED BY POWER COMPANY TO PROVIDE SERVICE FOR FLASHER AND SIGN FLASHER ASSEMBLY

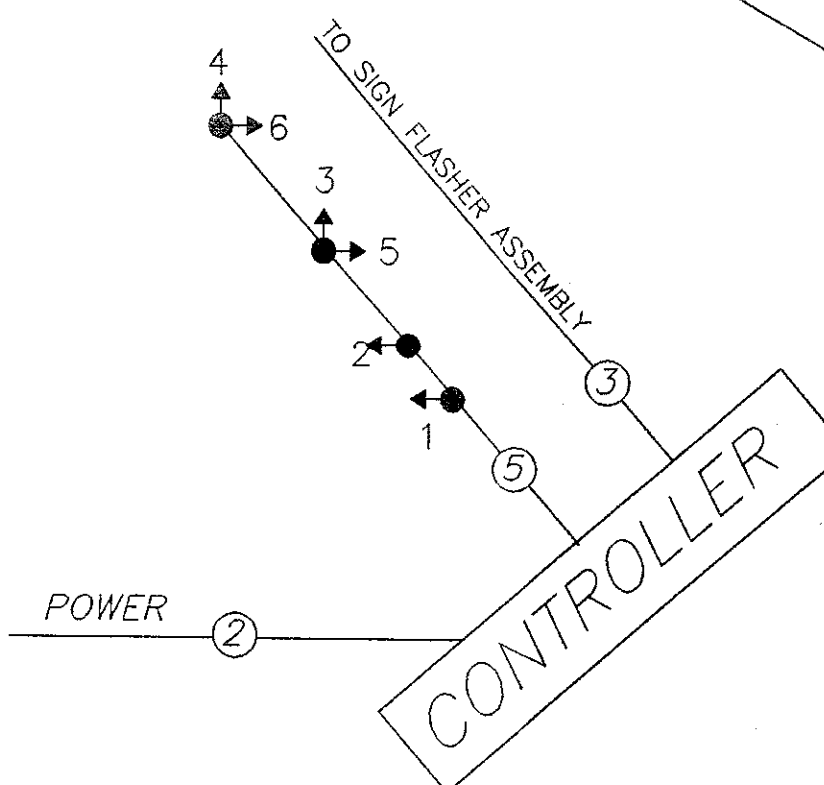


NOTE:
1. ALL ANGLES MEASURED CLOCKWISE
2. INDEX LINE GOES THROUGH THE CENTER OF HANDHOLE

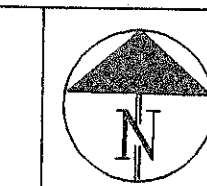
POLE ORIENTATION DATA CHART

POLE	DESIGN NO.	STATION & OFFSET	POLE HEIGHT	INDEX ANGLE	PED SIGNALS	PED BUTTONS	POWER SERVICE	CABLE ENTRANCE	2" CAPPED CONDUIT ELL (FUTURE USE)	CONTROLLER
A	TC-81.10 DESIGN 5	18+13, 62' RT	36'	142'	-	-	90'	180'	-	90'
B	TC-81.10 DESIGN 5	17+14, 71' LT	30'	142'	-	-	-	180'	-	-

WIRING DIAGRAM



THE SIGN FLASHER ASSEMBLY SHALL BE LOCATED AT STATION 25+80 AND 6' 6" BEHIND FACE OF GUARDRAIL.



0 10 20 40
HORIZONTAL SCALE IN FEET
CALCULATED JS
CHECKED GW

MEAD PAPER PLANT SOUTH INTERSECTION
SR 104 AT GATE 23

MEAD PAPER PLANT

4
4