

VOLUME COUNT SUMMARY

Date Count Taken 9-3-96

County Scioto

Location S.R. 139 & Rose Mount Rd.

SEASONAL FACTOR .94 APPLIED

HOUR	MAJOR STREET TOTAL	<u>West</u> APP. TOTAL	APP. TOTAL	100% WARRANT	
				1	2
8-9 AM	<u>523</u>	<u>175</u>	_____	<u>Yes</u>	_____
11-12 AM	<u>530</u>	<u>206</u>	_____	<u>Yes</u>	_____
AM	_____	_____	_____	_____	_____
AM	_____	_____	_____	_____	_____
12-1 PM	<u>595</u>	<u>235</u>	_____	<u>Yes</u>	_____
1-2 PM	<u>627</u>	<u>304</u>	_____	<u>Yes</u>	_____
2-3 PM	<u>581</u>	<u>278</u>	_____	<u>Yes</u>	_____
3-4 PM	<u>760</u>	<u>334</u>	_____	<u>Yes</u>	_____
4-5 PM	<u>837</u>	<u>512</u>	_____	<u>Yes</u>	_____
5-6 PM	<u>675</u>	<u>455</u>	_____	<u>Yes</u>	_____

OHIO DEPARTMENT OF TRANSPORTATION
DIVISION OF TRANSPORTATION PLANNING
BUREAU OF TRANSPORTATION TECHNICAL SERVICES

VEHICULAR TRAFFIC
Period of Observation 24-Hour

County: SCIOTO District: 9 City or Village: - Year Count was taken: 1996 Station Number: 0473

Jurd: 1 Route: 0139R Intersection Location: SE 139 & C-377 ROSEMOUNT N OF PORTSMOUTH Function Class: 07 HPMS: 00000 Log 1.66

Recorder Hour Period Day Date Weather Road Cond.
E. COPAS 10:00A 06:00P TUE 09/03/96 CLOUDY/RAI WBT
E. COPAS 06:00A 10:00A WED 09/04/96 CLOUDY DRY

SR-139 SE-139 C-377 ROSEMOUNT RD.
NORTH LEG SOUTH LEG WEST LEG
N TO W N TO S S TO W S TO N W TO N W TO S
PASS COML PASS COML PASS COML PASS COML PASS COML PASS COML

445	10:00-11:00A	21	1	146	5	155	2	108	7	11	1	168	13	193
✓ 564	11:00-12:00N	25	0	152	5	214	5	157	6	16	1	201	1	219
✓ 633	12:00- 1:00P	23	0	163	6	254	7	176	4	31	0	215	4	250
✓ 667	1:00- 2:00P	25	1	168	3	279	7	179	5	34	1	284	4	323
✓ 618	2:00- 3:00P	19	0	148	5	256	3	184	3	28	0	267	1	296
	3:00- 3:15P	9	0	52	1	74	2	67	1	19	0	98	1	
	3:15- 3:30P	6	0	36	2	51	1	49	1	4	0	54	0	
✓ 808	3:30- 3:45P	4	0	69	1	76	0	57	1	4	0	102	1	355
	3:45- 4:00P	9	0	60	2	116	3	55	3	8	0	63	1	
	4:00- 4:15P	11	0	51	5	84	1	73	1	17	0	112	1	
✓ 890	4:15- 4:30P	7	0	36	3	66	0	63	0	10	0	108	0	
	4:30- 4:45P	11	0	57	3	86	1	66	2	10	0	125	1	545
	4:45- 5:00P	3	0	74	3	108	2	71	2	9	0	151	1	
	5:00- 5:15P	5	0	41	1	101	0	75	0	12	0	152	1	
	5:15- 5:30P	6	0	36	0	57	0	32	0	10	0	84	0	
✓ 718	5:30- 5:45P	4	0	44	0	66	0	59	2	15	0	109	1	484
	5:45- 6:00P	3	0	47	1	72	2	66	0	10	0	90	0	
	6:00- 6:15A	2	0	13	1	48	0	4	1	1	0	15	1	
	6:15- 6:30A	0	0	19	0	59	1	10	1	0	0	12	1	
346	6:30- 6:45A	3	0	20	0	58	3	9	0	4	0	21	1	75
	6:45- 7:00A	4	0	24	0	56	0	9	1	2	0	17	0	
	7:00- 7:15A	3	0	26	1	62	1	13	0	1	0	19	1	
	7:15- 7:30A	5	0	32	0	48	0	26	0	2	0	33	0	
475	7:30- 7:45A	1	0	38	0	70	0	23	0	3	0	44	1	143
	7:45- 8:00A	6	1	53	0	43	1	21	1	3	0	35	1	
	8:00- 8:15A	11	0	42	1	70	1	21	2	8	0	49	0	
✓ 556	8:15- 8:30A	5	0	47	0	60	0	18	2	1	0	36	1	
	8:30- 8:45A	12	0	67	0	64	1	19	3	9	0	46	0	186
	8:45- 9:00A	2	0	46	0	42	0	18	2	3	0	33	0	
422	9:00-10:00A	14	0	158	6	157	3	82	2	9	3	155	2	169

8 HRT	177	2	1406	40	1984	24	1266	35	206	4	2133	28
24 HR FACT	1.90	2.10	1.90	2.10	1.90	2.10	1.90	2.10	1.90	2.10	1.90	2.10
24 HRT	336	4	2671	84	3770	50	2405	73	391	8	4053	59
SEASON FACT	0.94		0.94		0.94		0.94		0.94		0.94	
24 HE ADT	316	4	2511	84	3544	50	2261	73	368	8	3810	59

OHIO DEPARTMENT OF TRANSPORTATION
 DIVISION OF TRANSPORTATION PLANNING
 BUREAU OF TRANSPORTATION TECHNICAL SERVICES

VEHICULAR TRAFFIC

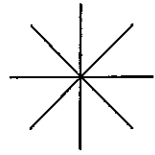
AT INTERSECTION LOCATION:

ROUTE: 0139R
 LOG: 1.660
 COUNTY: SCIOTO

SR 139 & C-377 ROSEMOUNT N OF PORTSMOUTH

CITY OR VILLAGE: -

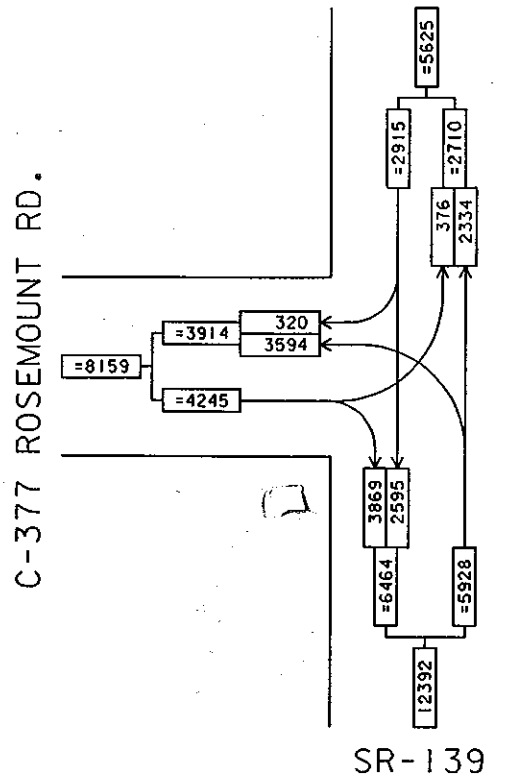
STATION: 0473
 ADT 1996
 DISTRICT: 9



INDICATE NORTH WITH ARROW

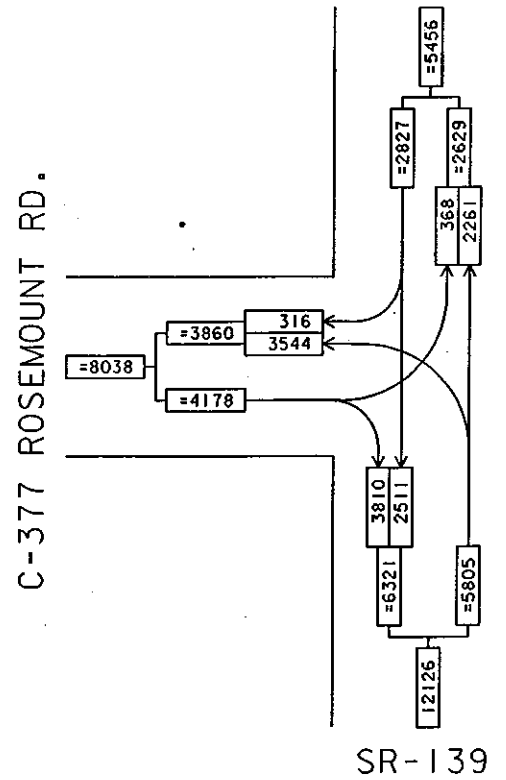
TOTAL VEHICLES

SR-139



PASS & TYPE A COM'L

SR-139



TYPE B & C COM'L

SR-139

