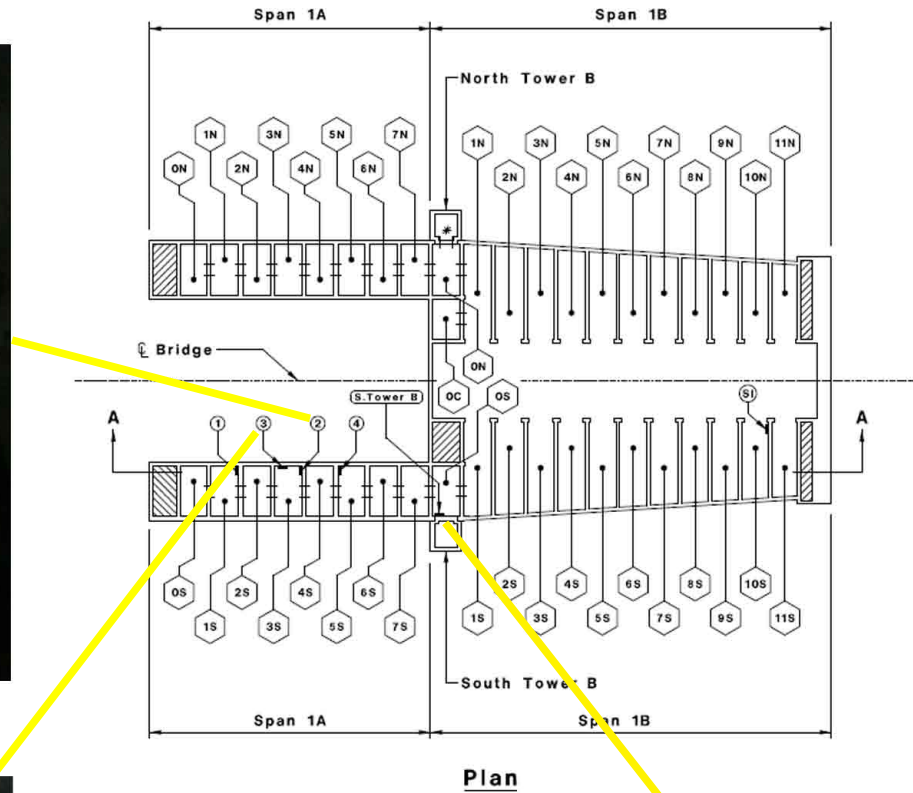


Cellular West Approach 1800930



Slightly over 2 mm of growth in crack width over 6 years for Gauge 2, a N/S oriented wall. No growth in Gauge 3, a E/W oriented wall.



Large crack in wall behind Tower B