

APPENDIX A

***2014 BRIDGE INSPECTION
FIELD REPORT***

**STATE OF OHIO DEPARTMENT OF TRANSPORTATION
BRIDGE INSPECTION FIELD REPORT**

Structure File Number: 1801503

Inventory Bridge Number: CUY 00010 16.130 N

Bridge Type: 3 - STEEL/4 - TRUSS/3 - DECK

Sufficiency Rating: 48.4

Date Built: 7/1/1932

District: 12 Place Code (FIPS): CLEVELAND

SR 10 over CUY RIVER VALLEY & FI RR

Type of Service on: HIGHWAY-PEDESTRIAN

Key: "Qty" = Quantity for Element Level inspection; "(LF)" = Linear Feet; "(SF)" = Square Feet; "(EA)" = Each or count; "CR" = 1-4 Condition Rating or average of worst span unless Summary item 9-0, then the average of entire bridge influenced by the bold boxes; "TR" = Transition Rating or weighted average of condition states; "d" = dedicated or specific chart and guidance, all others use Material specific chart guidance; "c" = condition prefix; "N" = NBIS rating

Inspection Procedures

Next Insp Cycle is in 2015 and Est. Hours is and TTC is MT-95.31 and other TT notes include. with 2014 lead insp. EF and truck req'd . . .

Comments

DECK

c7.1 Floor/Slab

Main spans: Floor approximately 4% spalled, which has approximately doubled since 2008. East Subway: 10 consecutive transverse bars broken in East Subway.

c7.2 Edge of Floor/Slab

Isolated spalls to bottom flange concrete coverends of floor beam extensions.

c11. Railing

Concrete corrosion increasing in north and south railings.

c13. Expansion Joint

Some leaks through expansion joint membranes.

SUPERSTRUCTURE

c17. Stringers

Isolated holes in stringer webs beneath and near former curb lines.

c18. Floorbeams

Active corrosion at NE and SE truss connections.

c22. Truss Lower Chord

Four members have over 10% estimated/measured section loss. One member has a longitudinal crack in an internally redundant flange angle.

c23. Truss Gusset Plate

Numerous lower chord gusset plates have advanced section loss.

SUBSTRUCTURE

c38. Pier Columns/Bents

Patches on pier columns cracked but intact.

c37. Pier Caps

Pier 9: Deep, non-structural spall not repaired in 2002 rehab present below NE

**STATE OF OHIO DEPARTMENT OF TRANSPORTATION
BRIDGE INSPECTION FIELD REPORT**

Structure File Number: 1801503

Inventory Bridge Number: CUY 00010 16.130 N

Bridge Type: 3 - STEEL/4 - TRUSS/3 - DECK

Sufficiency Rating: 48.4

Date Built: 7/1/1932

District: 12 Place Code (FIPS): CLEVELAND

SR 10 over CUY RIVER VALLEY & FI RR

Type of Service on: HIGHWAY-PEDESTRIAN

Truss.

CHANNEL

c52. Protection

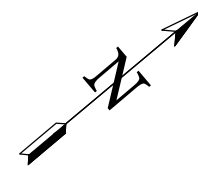
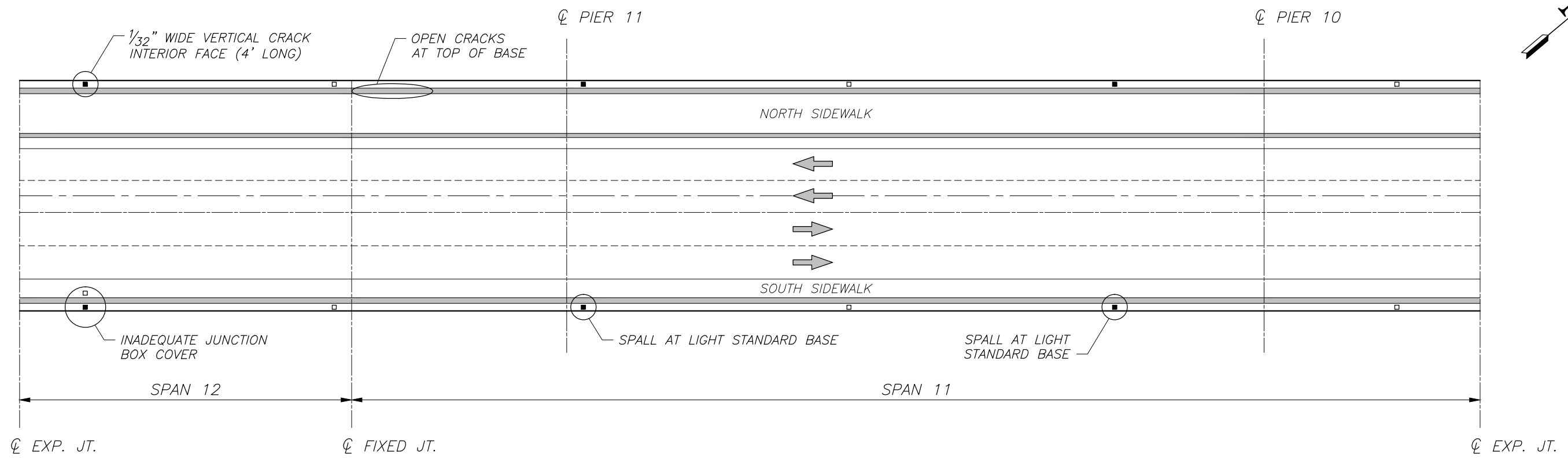
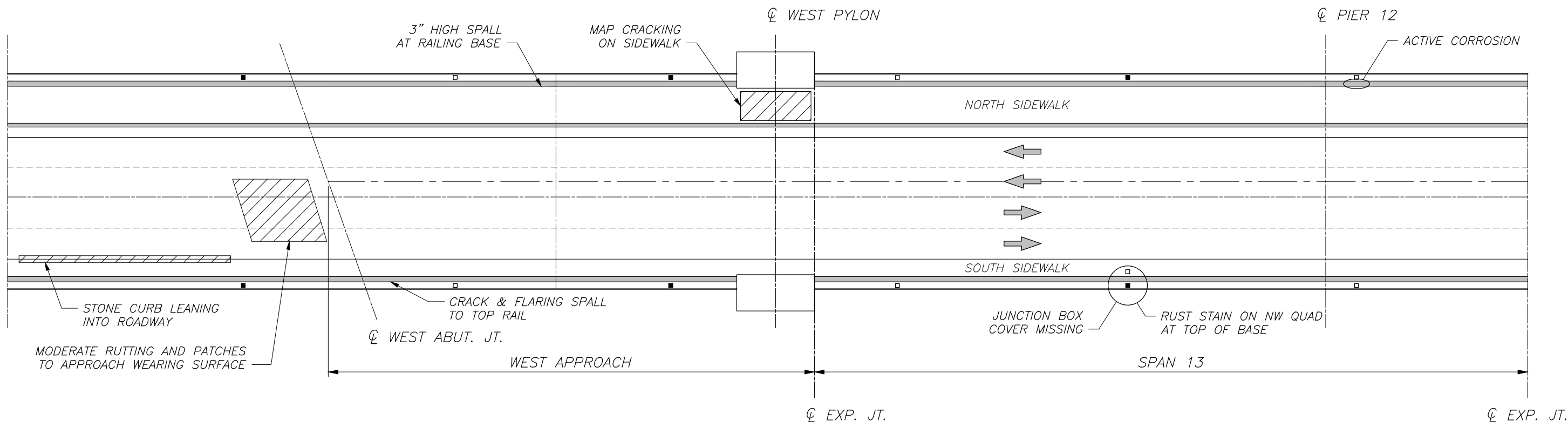
East bulkhead slowly collapsing into Cuyahoga River channel.

c54. Navigation Lights

Lights and conduit appear intact, but non-functioning. Appears to be a power source issue.

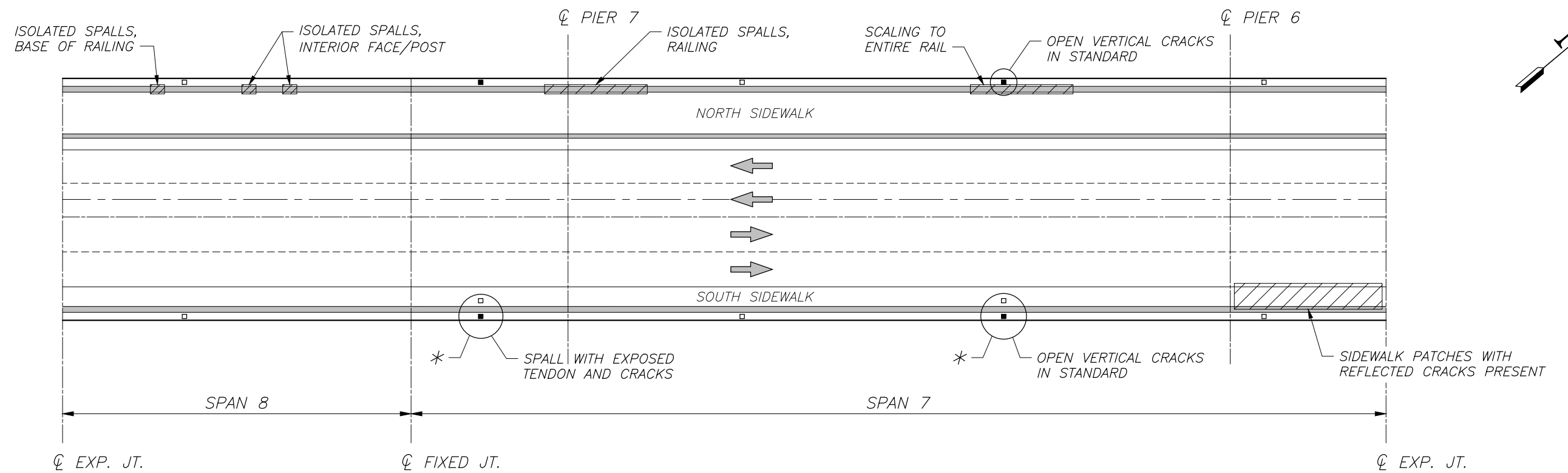
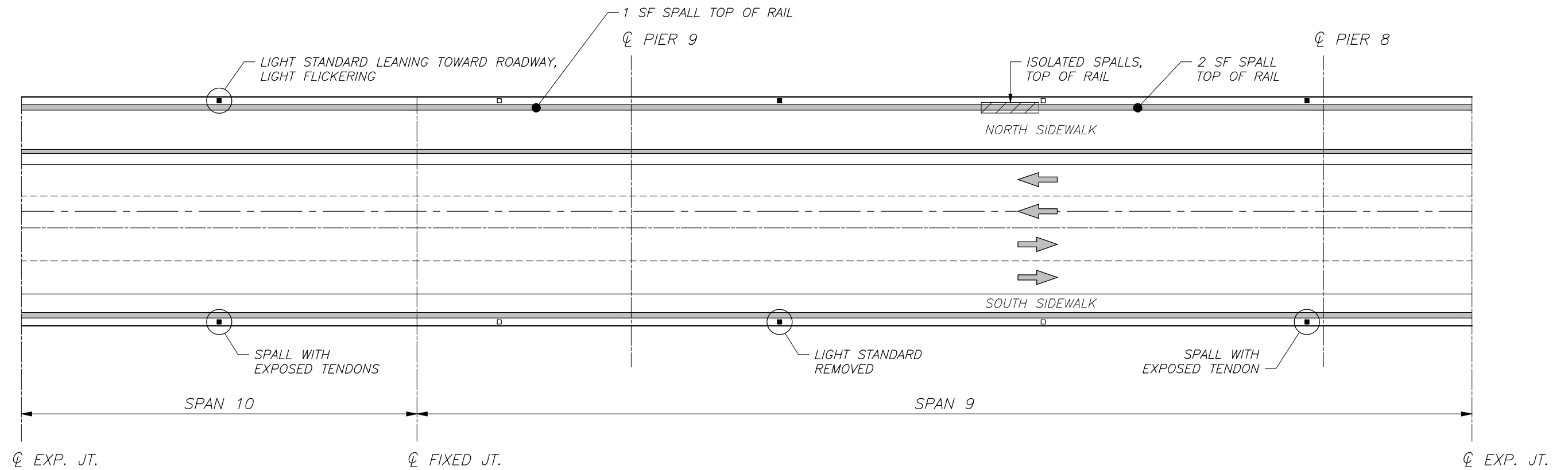
APPENDIX B

**2014 DECK
INSPECTION FINDINGS**



- LEGEND**
- - ROADWAY LIGHT STANDARD
 - - ARCHITECTURAL SIDEWALK LIGHT STANDARD
 - * - LIGHT OUT

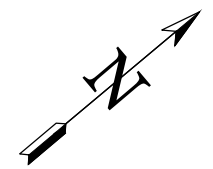
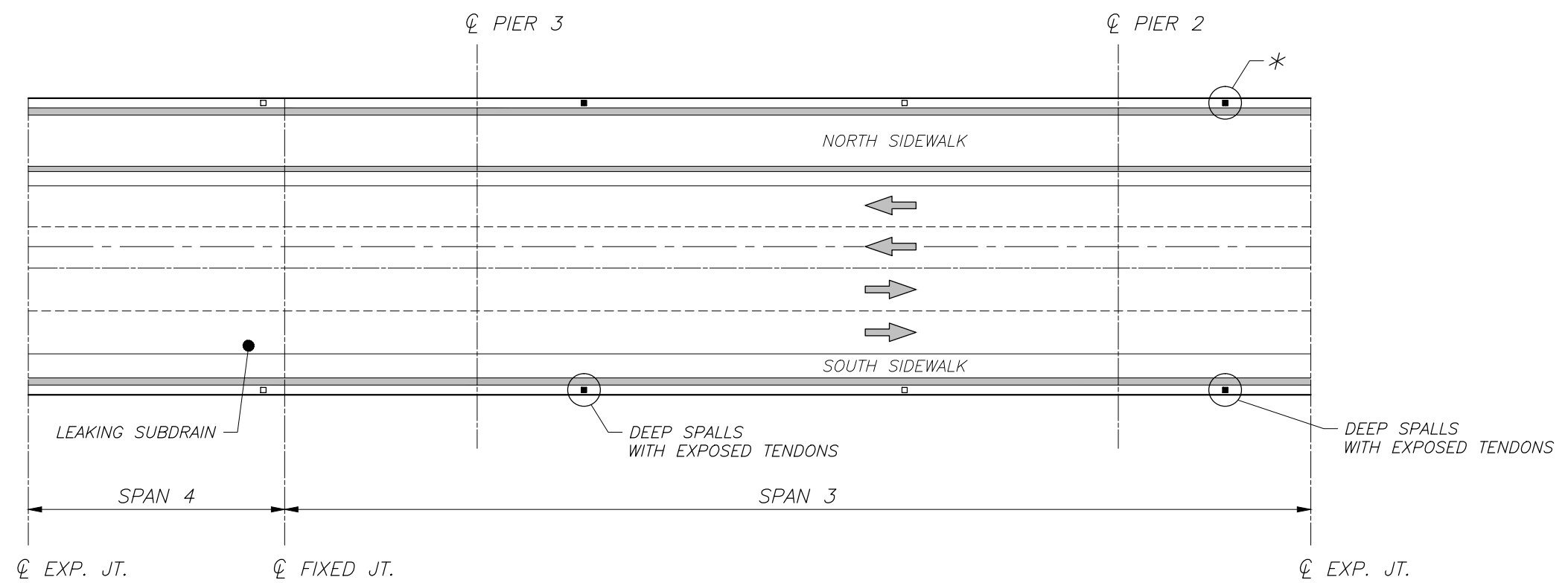
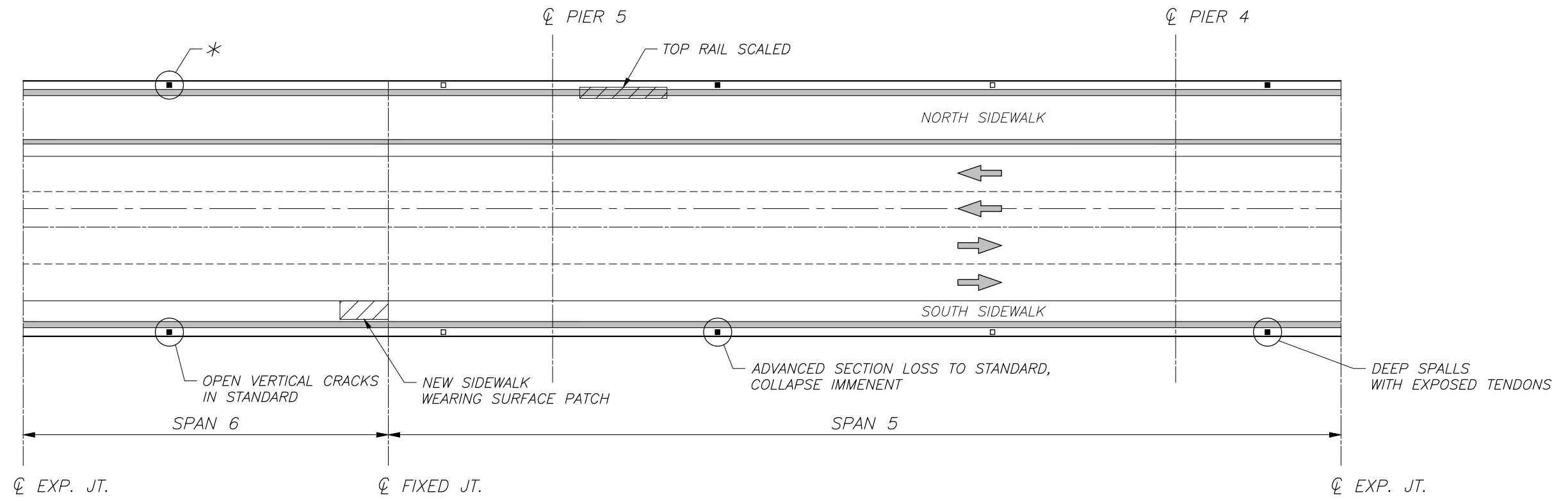




LEGEND

- - ROADWAY LIGHT STANDARD
- - ARCHITECTURAL SIDEWALK LIGHT STANDARD
- * - LIGHT OUT

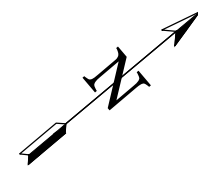
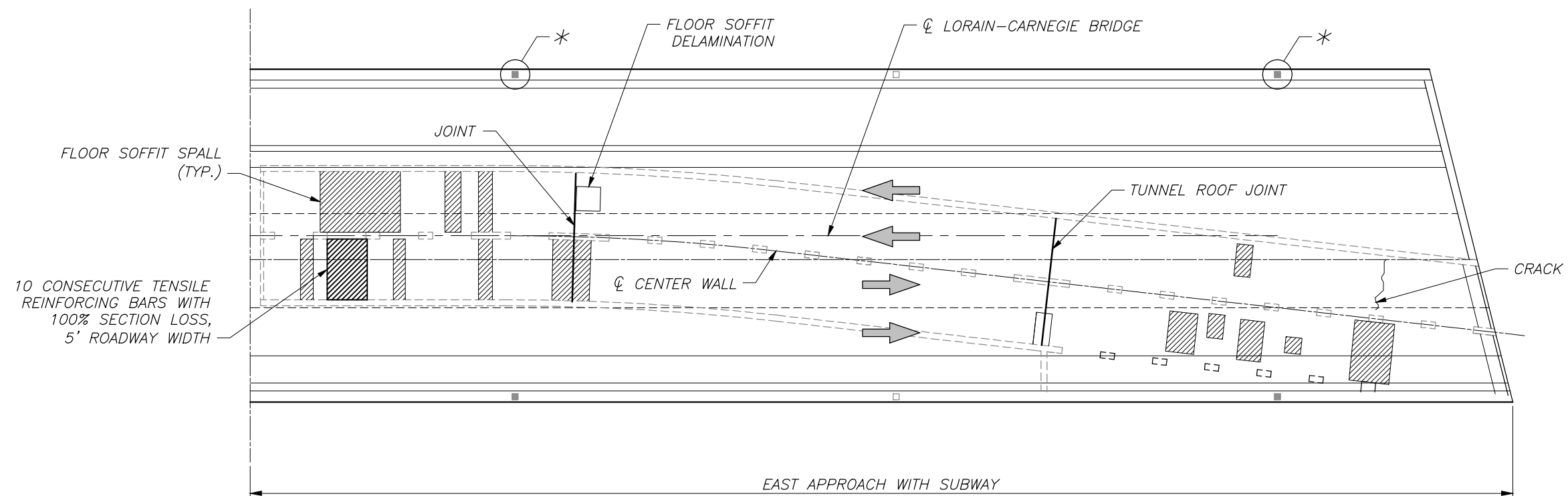
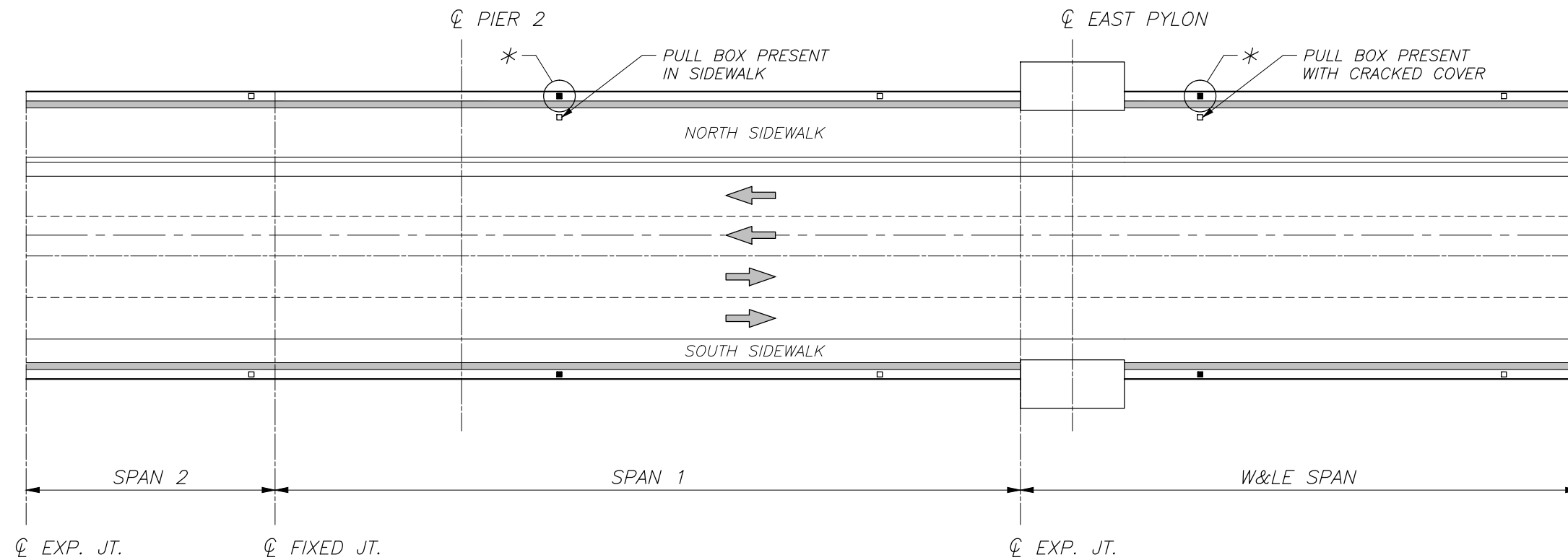




- LEGEND**
- - ROADWAY LIGHT STANDARD
 - - ARCHITECTURAL SIDEWALK LIGHT STANDARD
 - * - LIGHT OUT



SPAN 6 TO SPAN 3
DECK ITEMS
B-3



NOTE

LOCATION OF FLOOR SOFFIT SPALLS AND DELAMINATIONS ARE SHOWN FOR EAST SUBWAY ONLY FOR REFERENCE PURPOSES.

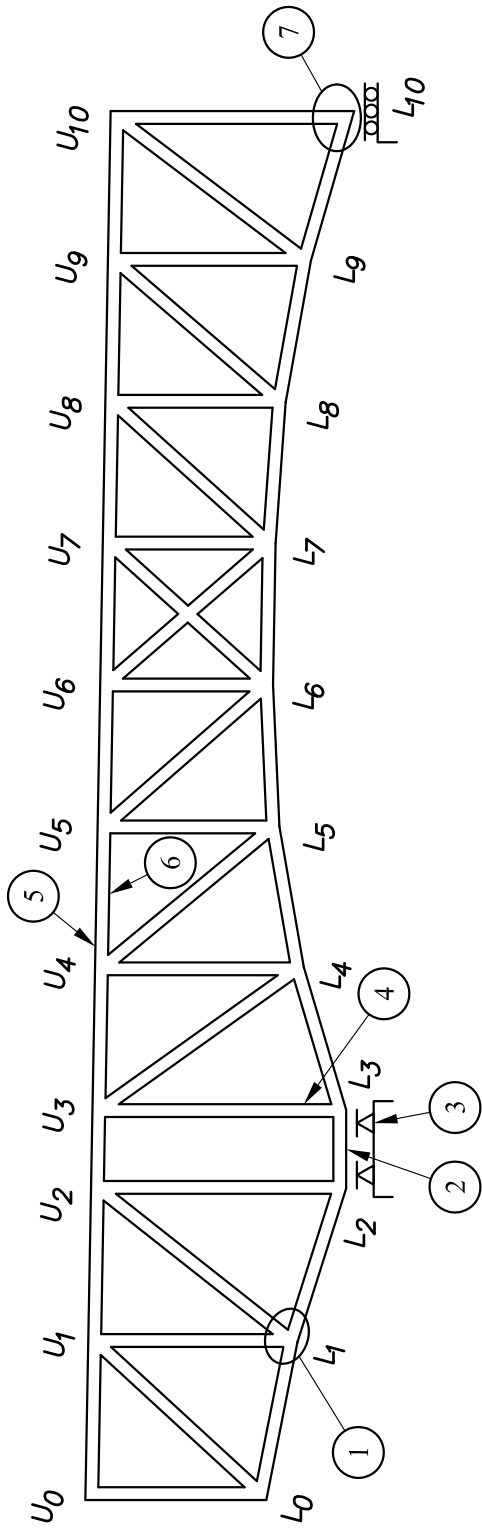
LEGEND

- - ROADWAY LIGHT STANDARD
- - ARCHITECTURAL SIDEWALK LIGHT STANDARD
- * - LIGHT OUT

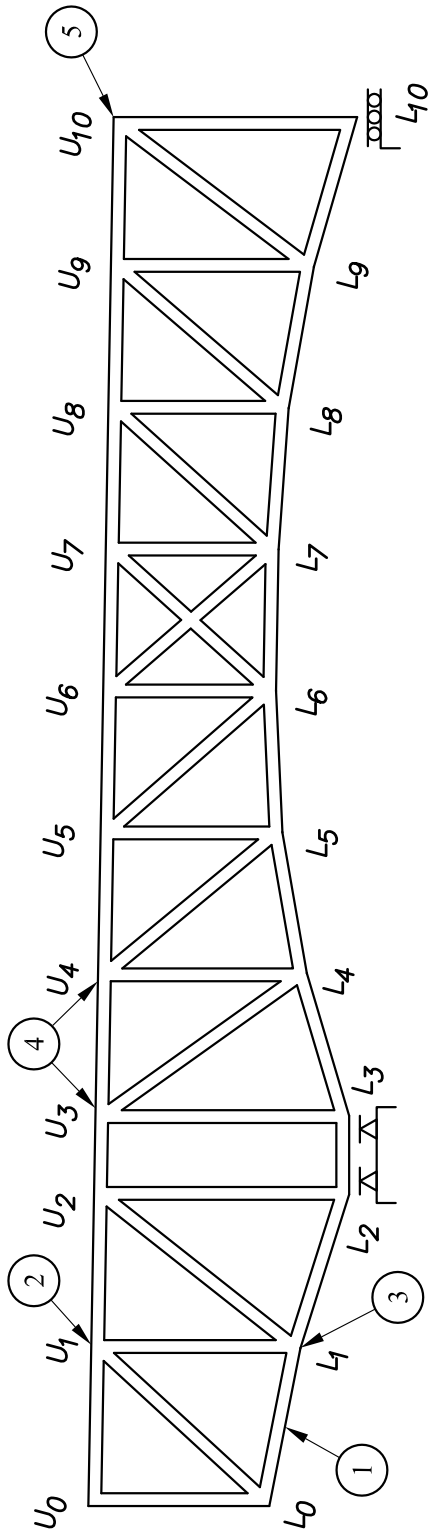


APPENDIX C

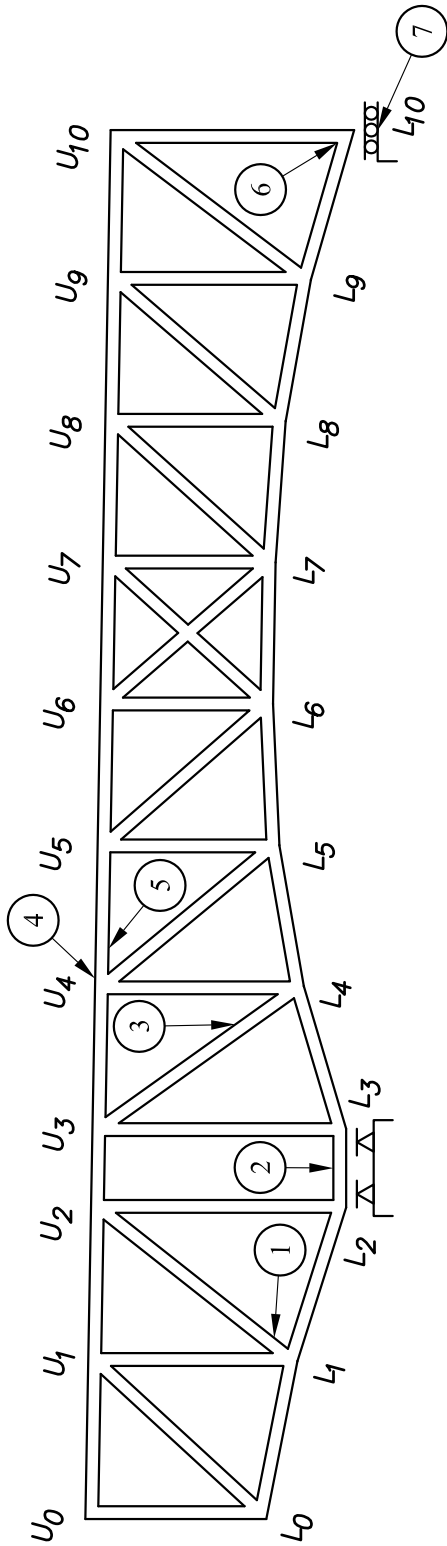
**2014 SUPERSTRUCTURE
INSPECTION FINDINGS**



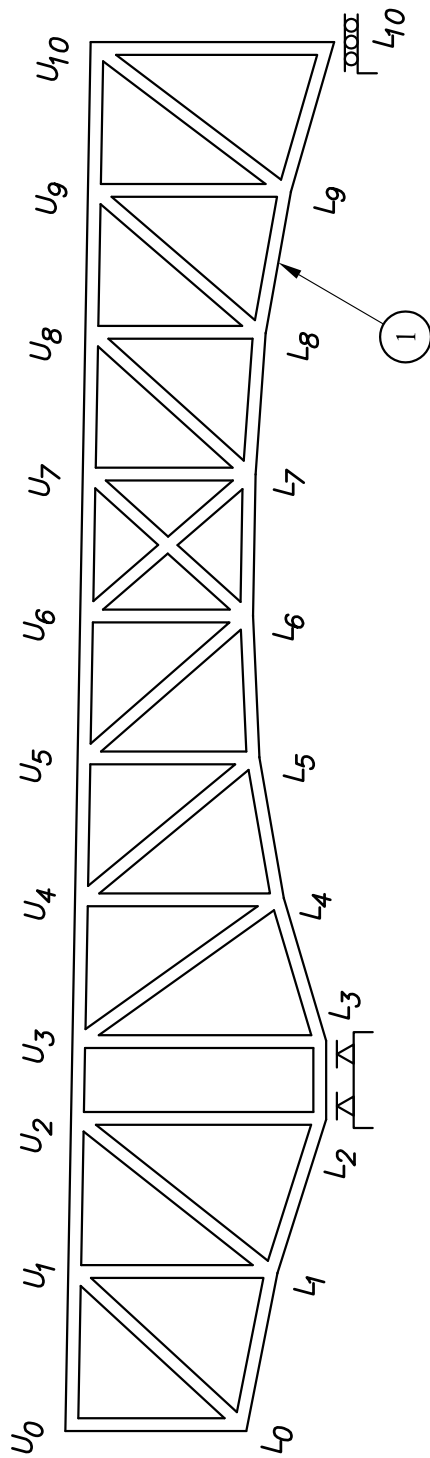
No.	Findings
1	Local paint failure.
2	Hole in bottom stay plate.
3	Bearing drain holes clogged with steel shot.
4	Ivy on top of pier and growing up truss verticals.
5	Water from junction box drain causing corrosion. Top and bottom tie plates holed through with $\pm 1/8$ " section loss to outstanding legs of flange angles.
6	Member has angles welded to south web plate.
7	Water leaking on joint long after rain event. Debris falling is causing local paint failure at bearing. Large rust flakes on gusset plate along Member L ₉ -L ₁₀ by joint.



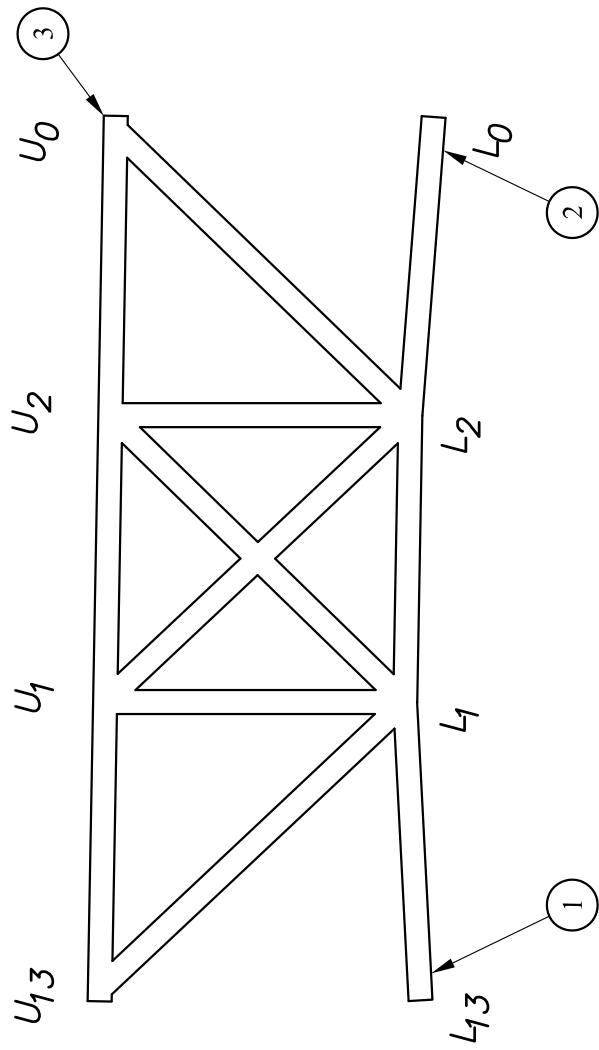
No.	Findings
1	Peeling top coat at the inside face of south web plate along a 2' section.
2	Active corrosion at Joint U ₁ .
3	Peeling top coat at bottom gusset plate.
4	Minor corrosion and pitting throughout joint.
5	Joint U ₁₀ has pitting with section loss on interior plates.



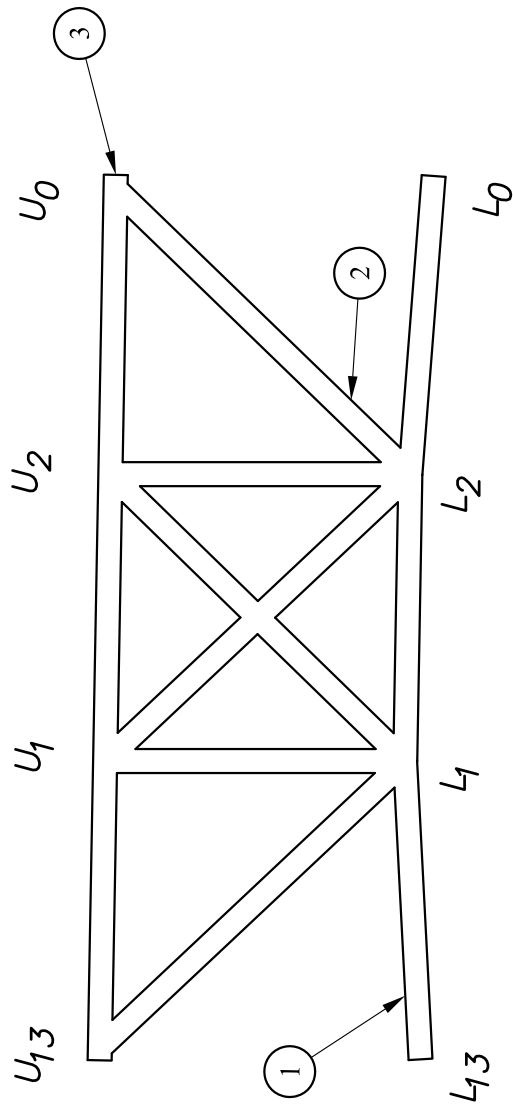
No.	Findings
1	1/4" x 3" wide section loss to the outstanding legs of all four angles.
2	Bottom stay plate has two holes. Top plate replaced in 2000 rehab instead of bottom stay plate.
3	3/16" to 1/4" Ø section loss to outstanding leg of top angle at lacing.
4	Leaking utility drain causing corrosion to upper chord and floorbeam connection plate.
5	Steel frame welded to fracture critical gusset plate.
6	South gusset plate pitted with up to 5/16" section loss around rivets on interior face.
7	Debris lodged behind the east side of roller. Rollers are 1/2" contracted.



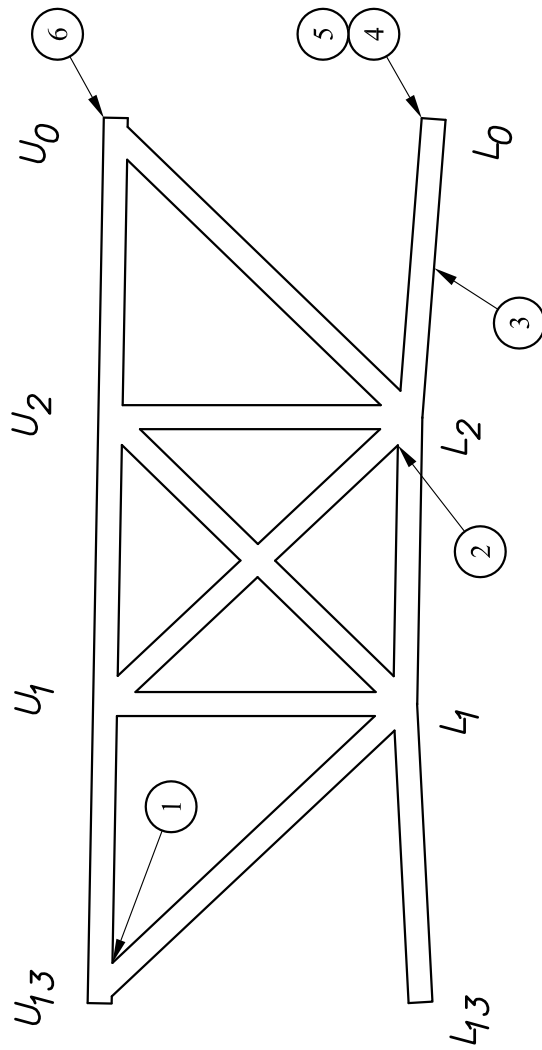
No.	Findings
1	Active corrosion to top surfaces caused by water infiltrating through utility shed above maintenance deck.



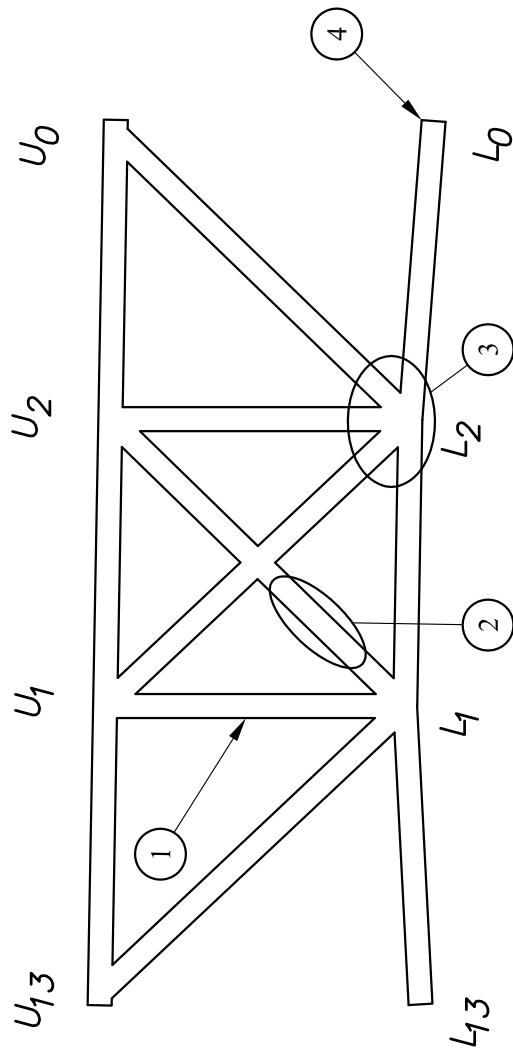
No.	Findings
1	$5/8$ " movement in fixed hinge.
2	Hinge appears frozen.
3	$1/16$ " section loss to top flange of floorbeam near joint.



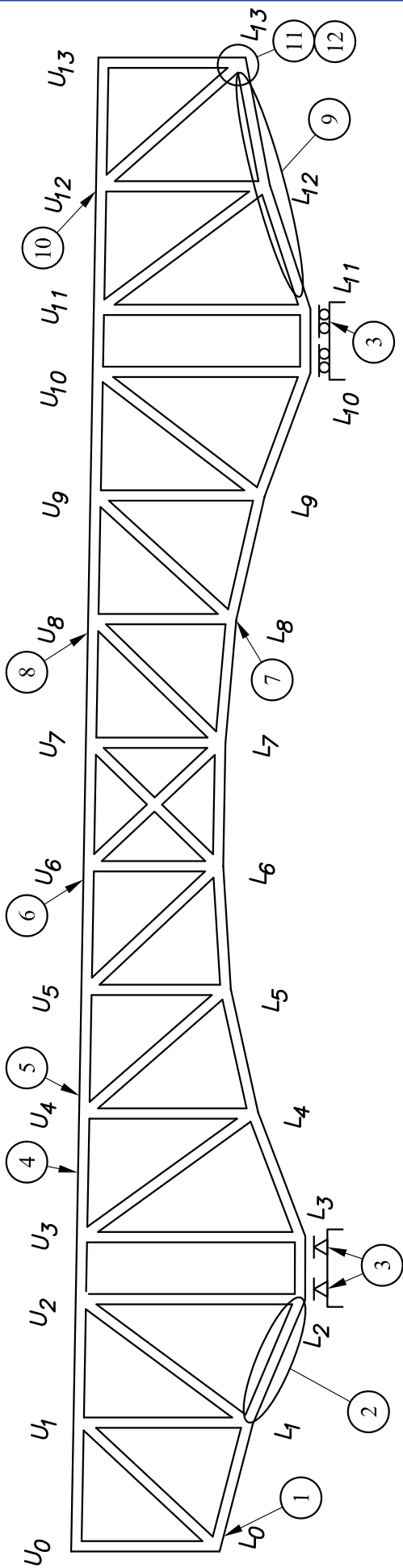
No.	Findings
1	Hole in exterior face web plate, first lacing channel, and flange plate. Member has large amount of pack rust between sliding surfaces. Hinge likely frozen.
2	3/4" pack rust along a 3' section of the north web plate.
3	Active corrosion and minor pitting throughout Joint U0.



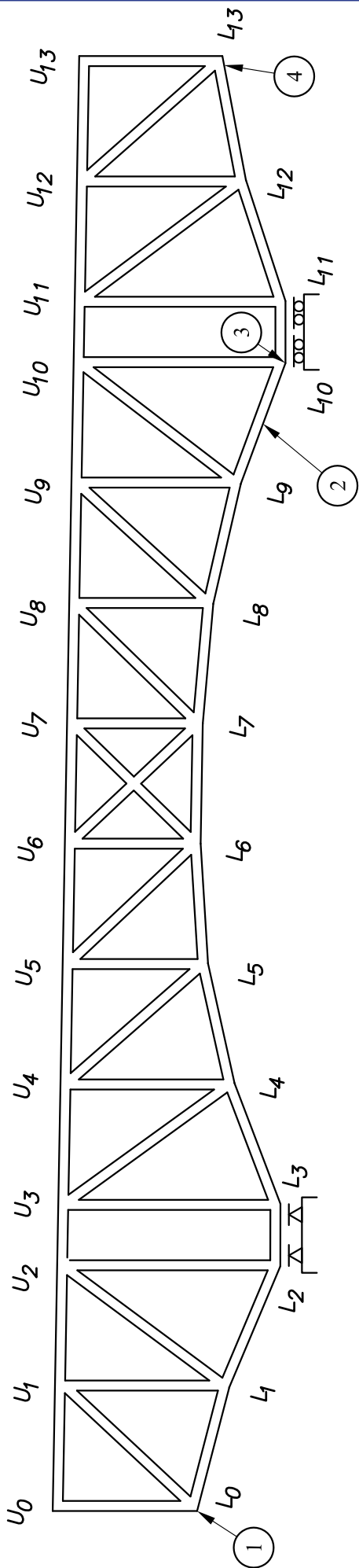
No.	Findings
1	Active corrosion at upper chord.
2	1/4" x 4" high section loss to the north gusset plate above the lower chord.
3	1 - 1 1/2" wide/high hole to both legs of the bottom north angle.
4	1/8" gap between pin and top expansion slot. Bottom horizontal rivets are mostly corroded.
5	3/8" movement at fixed pin hinge.
6	Heavy corrosion to top flange of Floor Beam 0. Deck delamination at corner of Stringer 11.



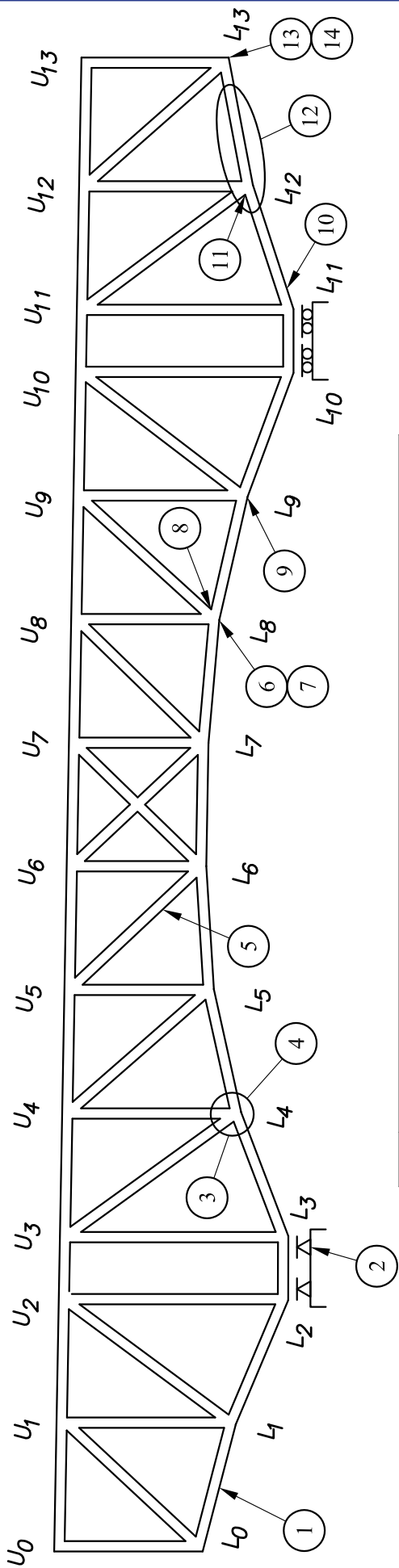
No.	Findings
1	Pack rust on vertical northwest corner angle.
2	Local paint failure.
3	Minor pack rust between truss members and gusset plates. Local paint failure.
4	Free movement in hinge.



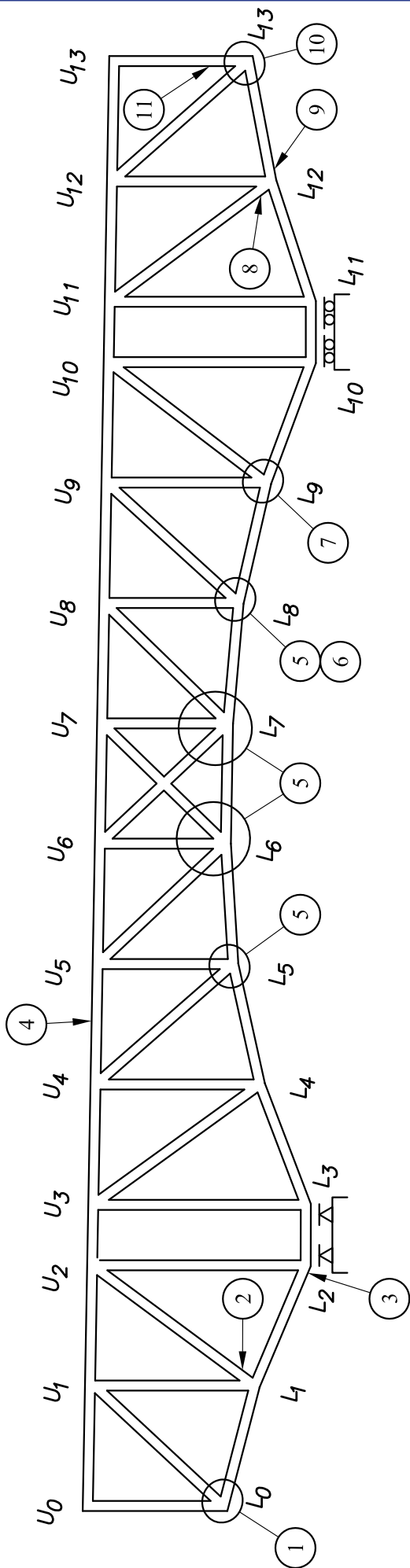
No.	Findings
1	0.10" section loss to both gusset plates at lower chord.
2	Local paint failure.
3	Bearing drain holes clogged by steel shot?
4	Welded rods from Stringer 1 to top north angle present.
5	Water from junction box drain causing active corrosion.
6	Stringer 2 has web hole 3" Ø near the bottom at Panel Point 6.
7	Advanced section loss to lower lateral bracing gusset plate present.
8	Old pitting and new rust on top horizontal plate.
9	Active corrosion along flange angles.
10	Leaking drain causing active corrosion to upper chord.
11	1/6" to 1/8" deep section loss to both gusset plates along U12 and L13.
12	Local paint failure.



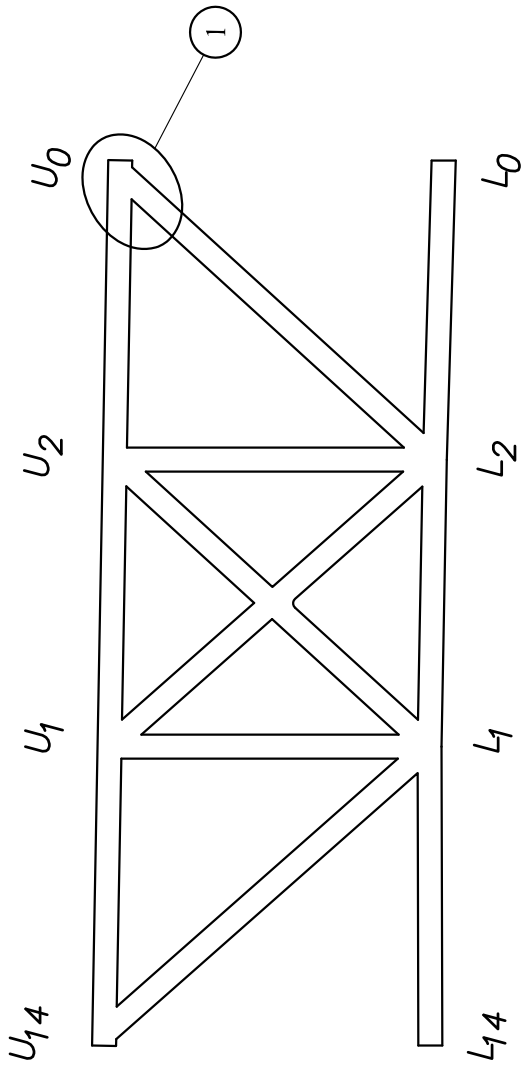
No.	Findings
1	Advanced paint failure and section loss on plates at expansion joint.
2	Pack rust causing interior web plate to bulge out by up to 1/2" along a 1' long section.
3	Web plates at L ₁₀ bulging due to pack rust. Exterior web plate has 1" Ø perforation.
4	Active corrosion present at L ₁₃ .



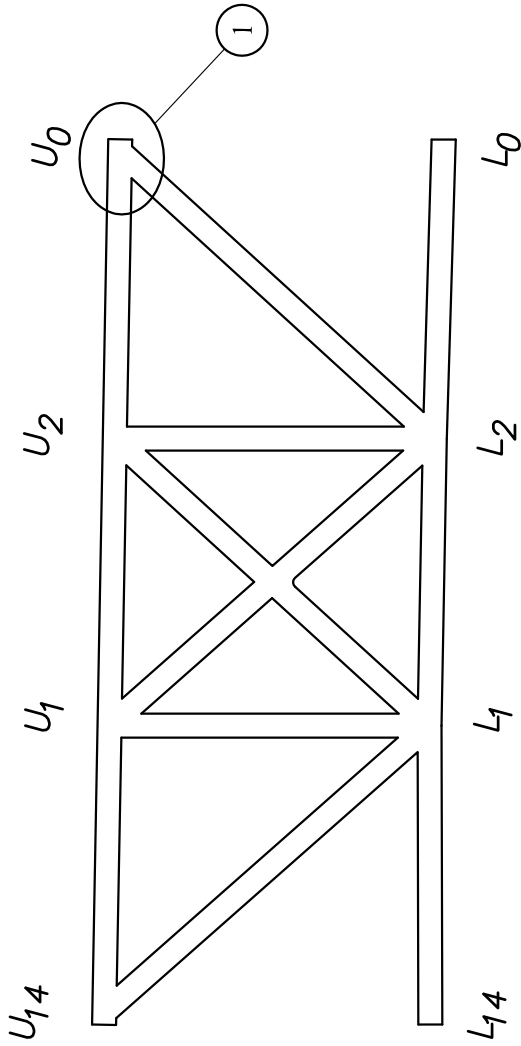
No.	Findings
1	Hole to vertical leg of bottom north angle with $\frac{3}{4}$ " pack rust.
2	1" to 1 $\frac{1}{2}$ " steel shot in bearing.
3	$\frac{3}{16}$ " to $\frac{1}{4}$ " section loss above angle channel to west gusset plate.
4	Rust flakes painted.
5	Two holes (1 $\frac{1}{16}$ " \emptyset) to south web plate.
6	Two holes (1 $\frac{1}{16}$ " \emptyset) to south web plate.
7	Section loss to top of both web plates.
8	$\frac{3}{16}$ " x 3" high section loss and painted over rust flakes at the north gusset plate.
9	$\frac{3}{8}$ " aggregate section loss ($\frac{1}{16}$ " int., $\frac{1}{16}$ " ext.) to the north gusset plate above lower chord.
10	$\frac{1}{8}$ " x 4" high section loss to interior of south web plate.
11	Top and bottom lower lateral gusset plates have painted over rust and paint failure.
12	Poor paint throughout.
13	Outstanding leg of the top north angle is completely corroded through top lateral gusset plate and stay plate.
14	$\frac{1}{2}$ " \emptyset hole to outstanding leg, bottom south angle.



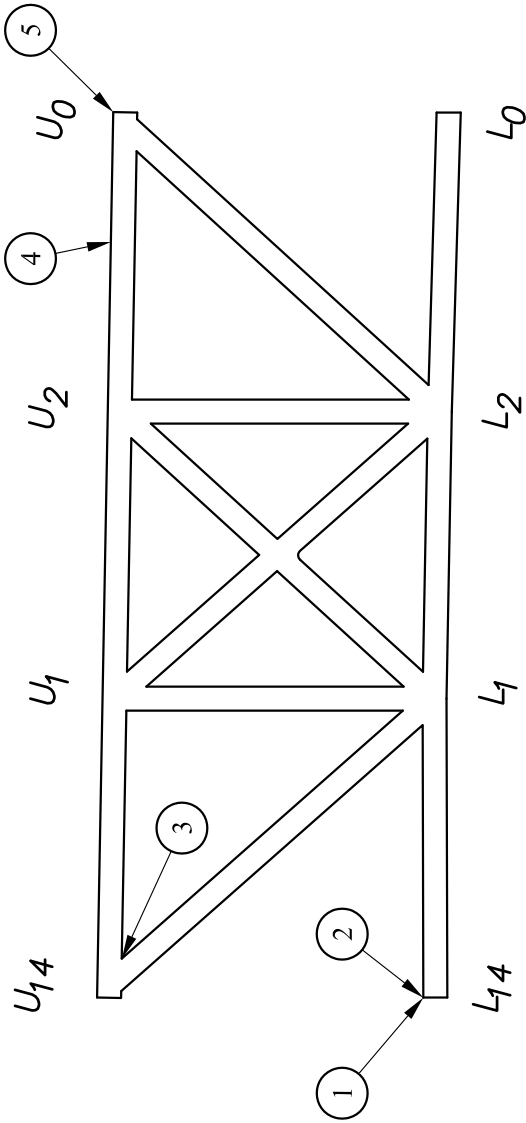
No.	Findings
1	Pack rust at north top angle near pin. Flange is rotated out and down about $\frac{1}{8}$ ". Inside plates at pin are bowed inwards. Tops of gusset plates have slight bowing ($\frac{3}{16}$ ") due to pack rust.
2	Pack rust between L_1U_2 bottom angle and gusset plate.
3	Pack rust along north bottom angle.
4	Minor section loss to top flange of Stringer 8 due to leakage from deck.
5	Local paint failure.
6	Pack rust between floor beam and connection angles.
7	Local paint failure at floor beam.
8	$\frac{1}{4}$ " pack rust on outside diagonal web and gusset. Section loss on inside of north gusset plate.
9	Pack rust at bottom of interior gusset plate. Gusset plate bowed in $\frac{1}{8}$ " to $\frac{1}{4}$ " along edge.
10	Section loss on inside of north and south gusset plates. Pack rust on outside face of north gusset plate. Pack rust on both sides between gussets and vertical above pins.
11	Maintenance deck channel has section loss and support channel has pack rust (1 " angle thickness).



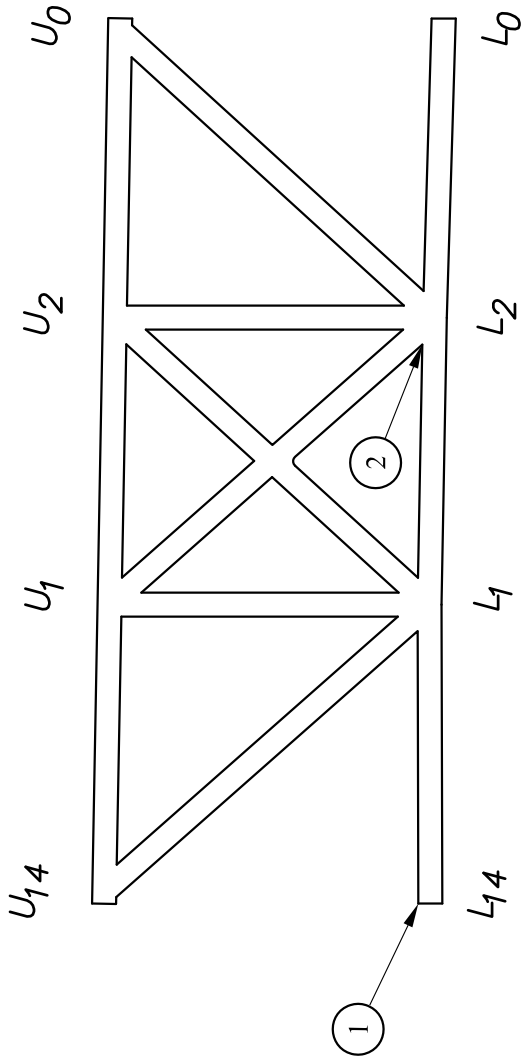
No.	Findings
1	Active corrosion and paint failure.



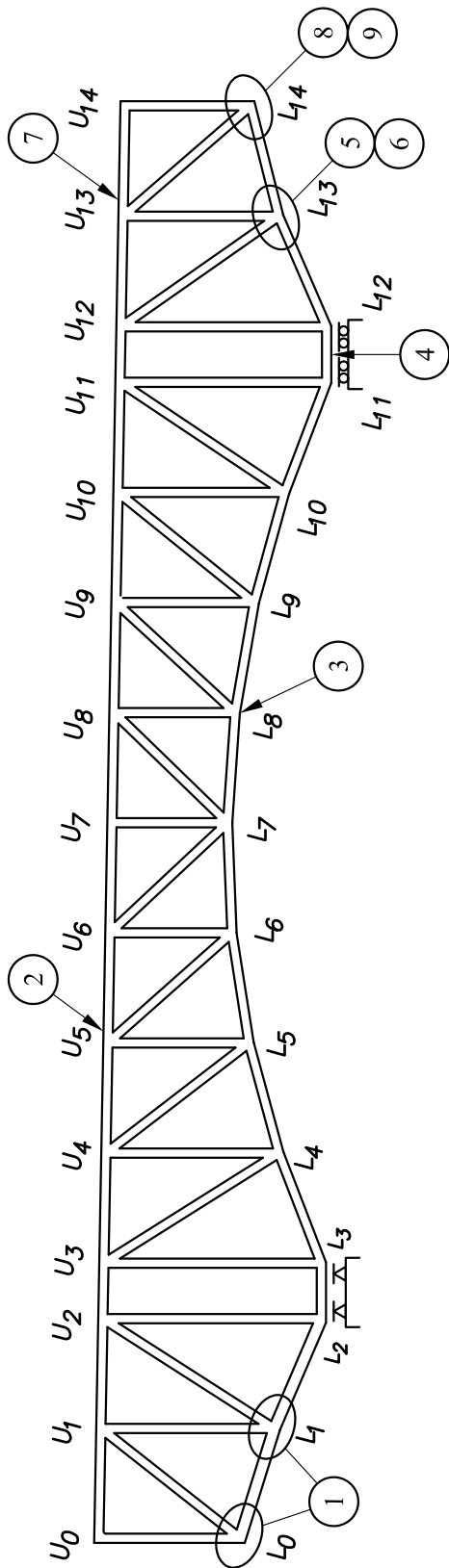
No.	Findings
1	Moderate active corrosion and paint failure.



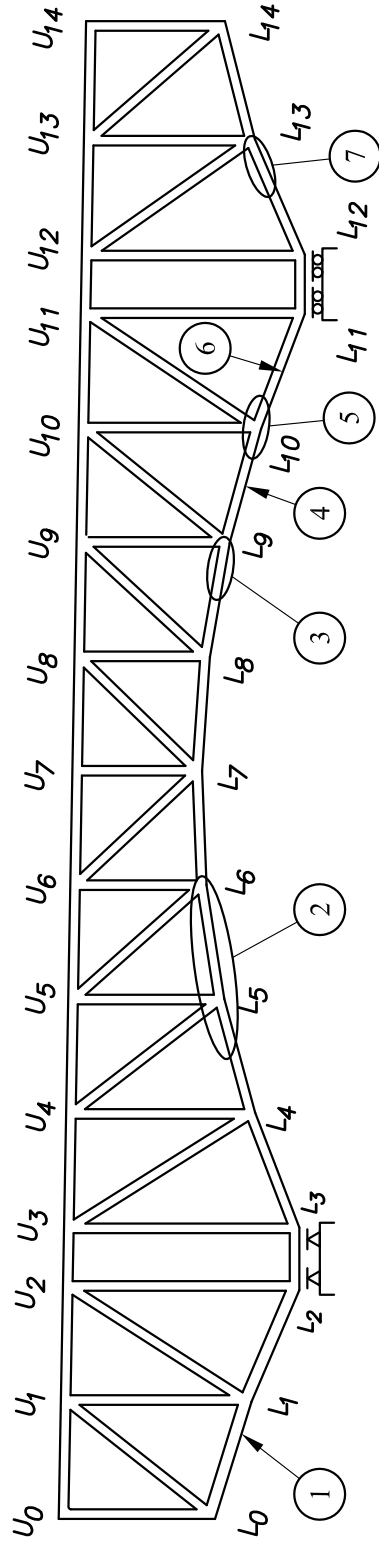
No.	Findings
1	1/4" section loss at a 4" long x 2" wide area on the north interior plate. 1/4" pack rust present.
2	Hinge is frozen tight.
3	Debris in connection. Rust stains to top flange, floor beam, and stay plates.
4	Subdrain closest to Floor Beam 0 is leaking.
5	Corrugation to top flange and bracket of Floor Beam 0.



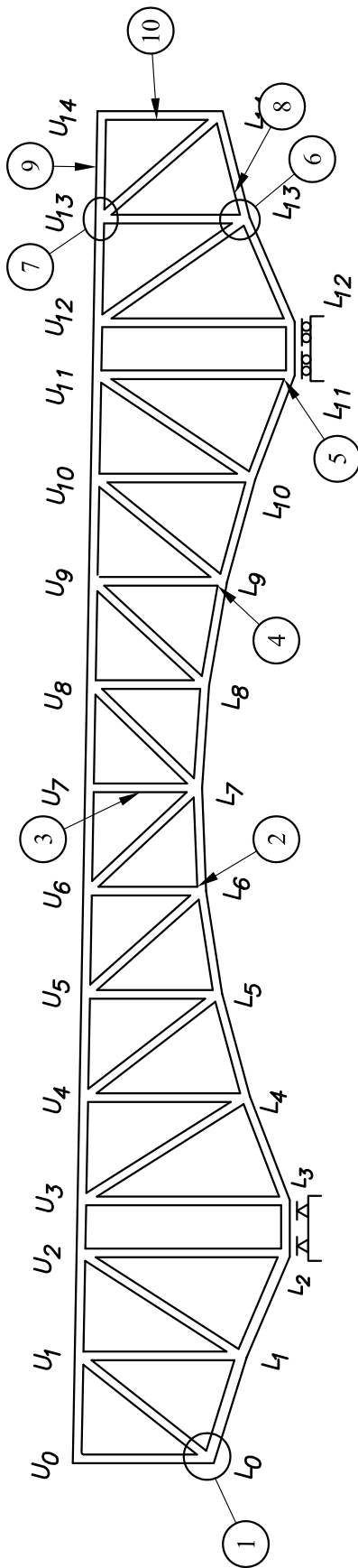
No.	Findings
1	Pack rust present between both gussets and member L ₁ L ₁ exterior chord webs.
2	Pack rust along entire length of inside top plate.



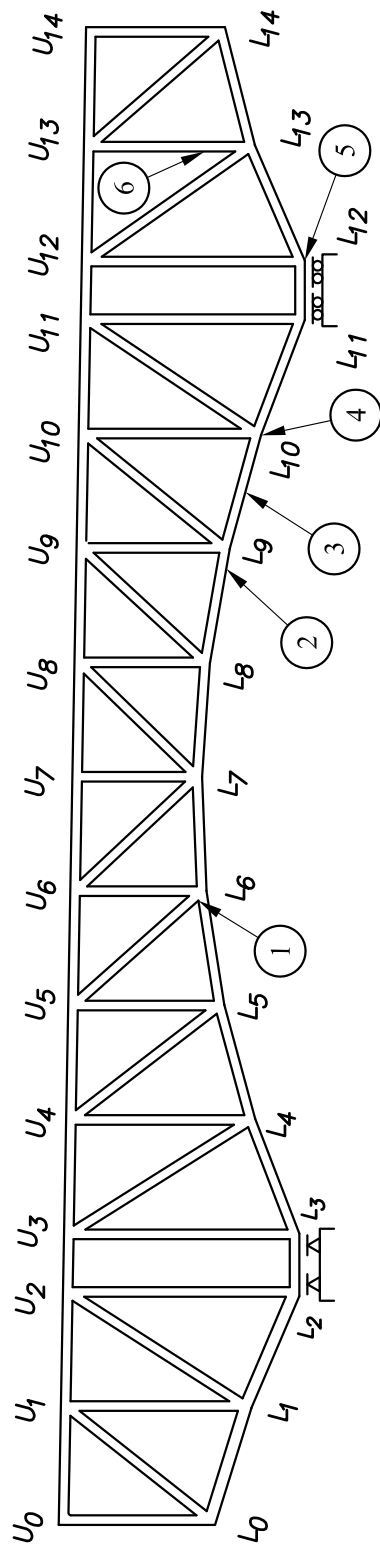
No.	Findings
1	Local paint failure present.
2	Top tie plate is rusted all the way through. Rust staining on top chord web and bottom plate.
3	Steel shot painted over on top exterior angle of the bottom chord.
4	Advanced pack rust between pin plate and interior web plate. Dirt and debris also present.
5	Pack rust between north web plate and gusset plate at U ₁₃ .
6	Local paint failure.
7	Subdrain above U ₁₃ causing surface corrosion on surrounding members. Several holes (4"Ø max) in both upper and lower ties plates at joint.
8	Lower portion of connection has new pack rust between web plates and gusset plates. Top of pin at ends has new section loss.
9	Local paint failure and surface corrosion around joint.



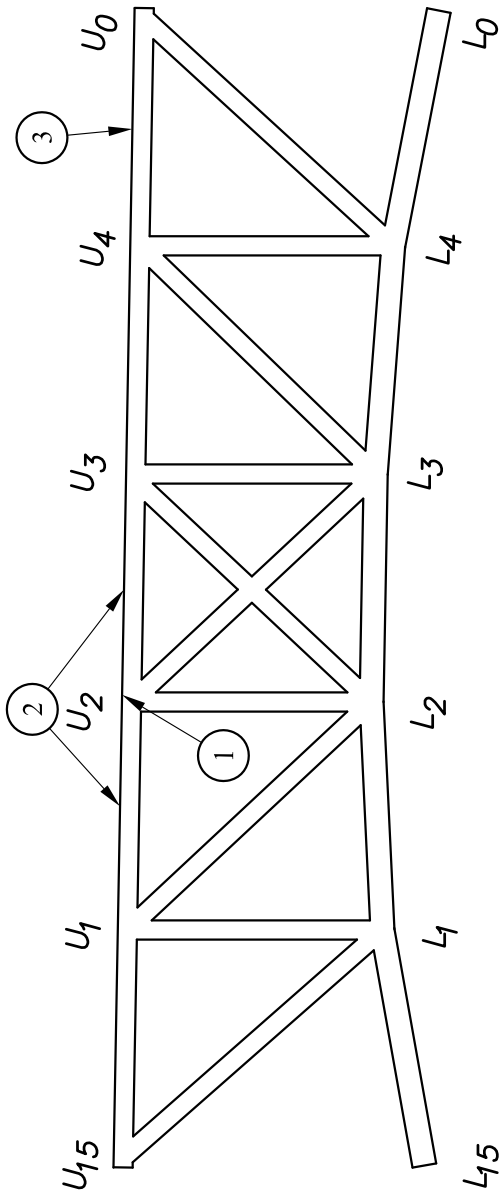
No.	Findings
1	Up to 1 1/4" pack rust along 10' at north web plate and lower angle.
2	Pack rust between north angle and web plate along L ₅ L ₆ (6' section on L ₄ L ₅).
3	1 3/4" pack rust along top of bottom exterior angle.
4	1" pack rust along top of bottom exterior angle.
5	Local paint failure present.
6	3/4" pack rust along top of bottom exterior angle.
7	3/4" pack rust along top of bottom angles.



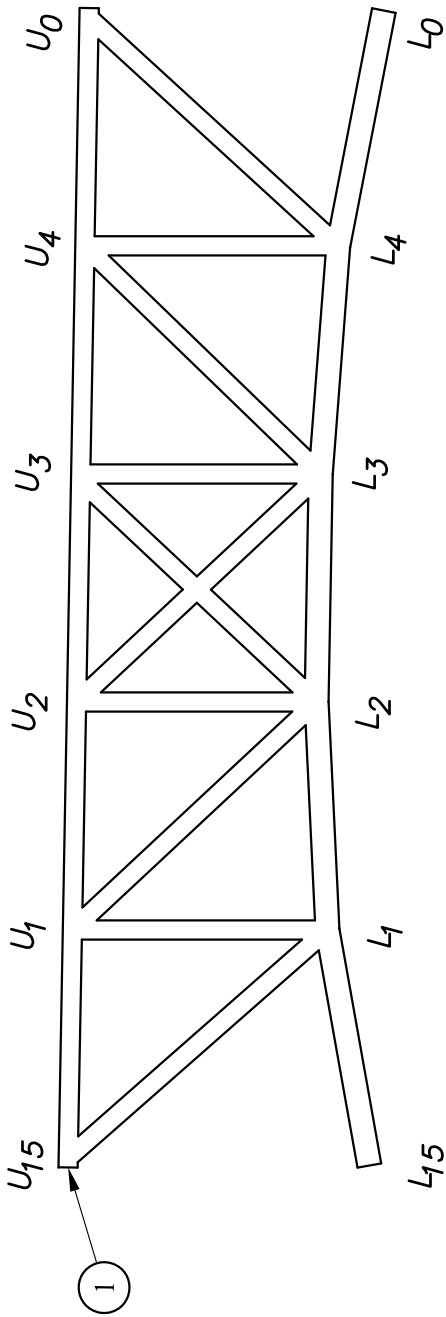
No.	Findings
1	$\frac{1}{8}$ " deep corrosion to both pin and pin plate. Bottom longitudinal pin plate bent downward.
2	$\frac{3}{16}$ " x $1\frac{3}{4}$ " high section loss to the north gusset plate above the top lower lateral gusset plate.
3	$\frac{5}{8}$ " pack rust and section loss to web plate.
4	$\frac{1}{8}$ " section loss along the outside of L ₉ U ₁₀ rivets on the gusset plate with some corrosion to pin holes.
5	West half of Gusset Plates: General pitting ($\frac{1}{8}$ " at most) of interior surfaces of south plate. North plate has a $\frac{1}{8}$ " section loss on 50% of surface.
6	$\frac{3}{16}$ " section loss to both sides of web plate at L ₁₃ - $\frac{3}{16}$ " section loss to north gusset plate by L ₁₂ -L ₁₃ connection. Active corrosion, failing paint, and rust flakes are still present.
7	Efflorescence leaking through floor.
8	Paint failure and rust flakes to top stay plate.
9	Deck is leaking efflorescence.
10	$\frac{1}{6}$ " aggregate section loss to both sides of web plate.



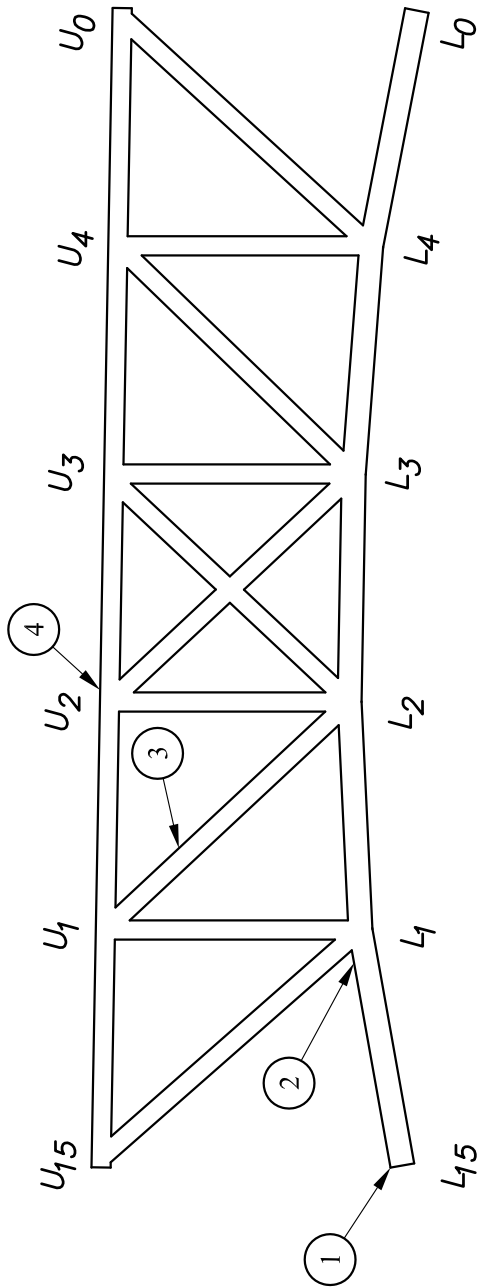
No.	Findings
1	$\frac{1}{8}$ " to $\frac{3}{16}$ " section loss at south gusset plate along and at end of diagonal U ₅ L ₆ .
2	$\frac{1}{2}$ " pack rust at top of bottom south flange angle.
3	$\frac{3}{4}$ " pack rust at top of bottom north flange angle.
4	Active pack rust between north gusset plate and lower chord. East inside gusset plate is bowed out approximately 1" at top corner.
5	Outside gusset plates are bowed out at the bottom.
6	Crack in maintenance floor beam west connection angle to truss vertical.



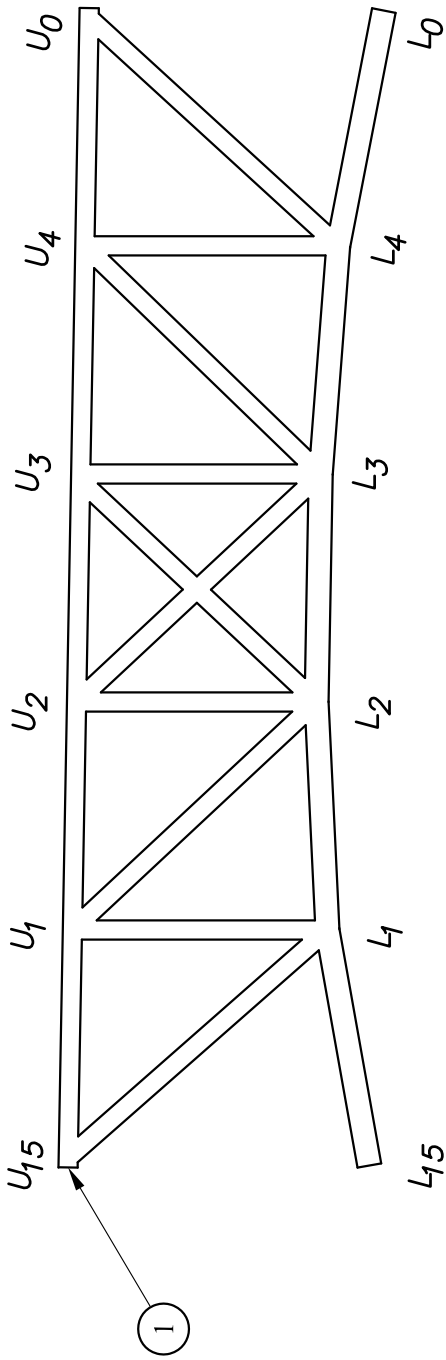
No.	Findings
1	Water from junction job drain above U ₂ is causing surface corrosion to top floor beam and upper chord lacing.
2	Pigeon nests present inside upper chord.
3	Stringer 2 at Panel Point 0 has section loss and hole at bottom of web at web angle connection.



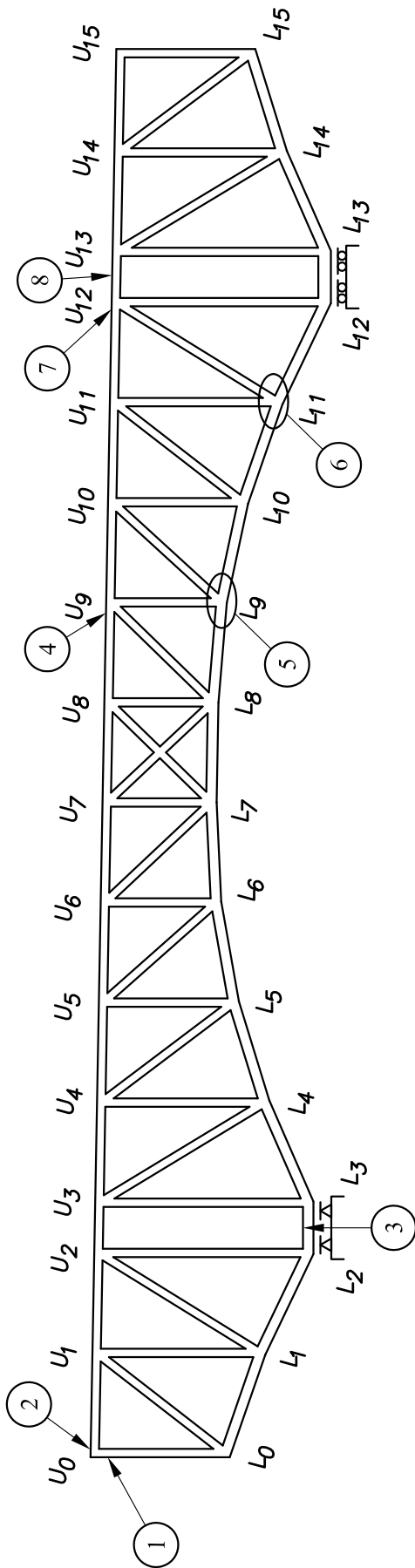
No.	Findings
1	Maintenance deck floor beam crack present $6 \frac{3}{16}$ " long.



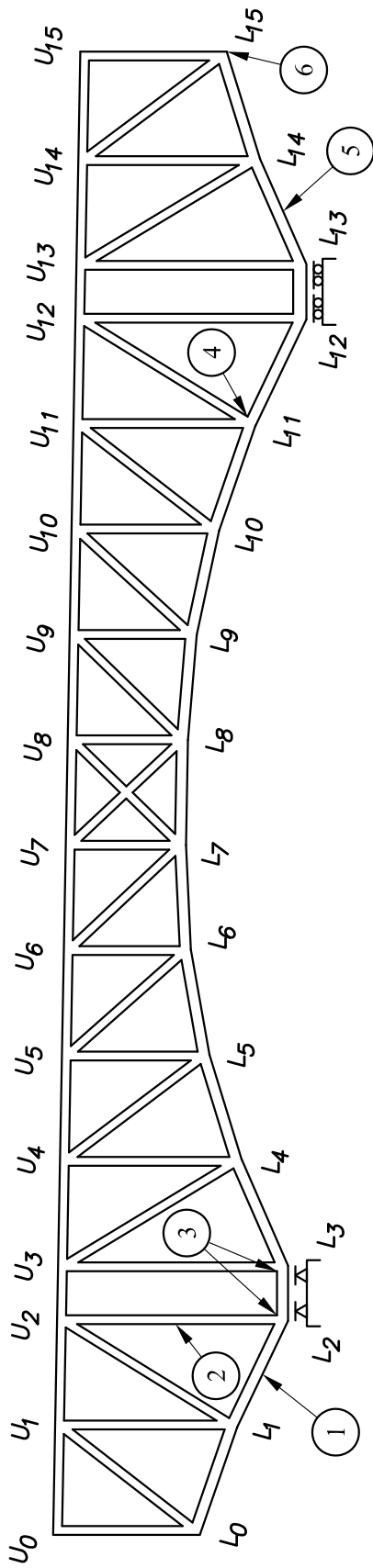
No.	Findings
1	Debris inside L ₁₅ .
2	1 1/4" pack rust along north web plate.
3	1/2" pack rust pushing out web plate by 3/8" on all sides of the member.
4	Leaking utility drain causing corrosion to surrounding members.



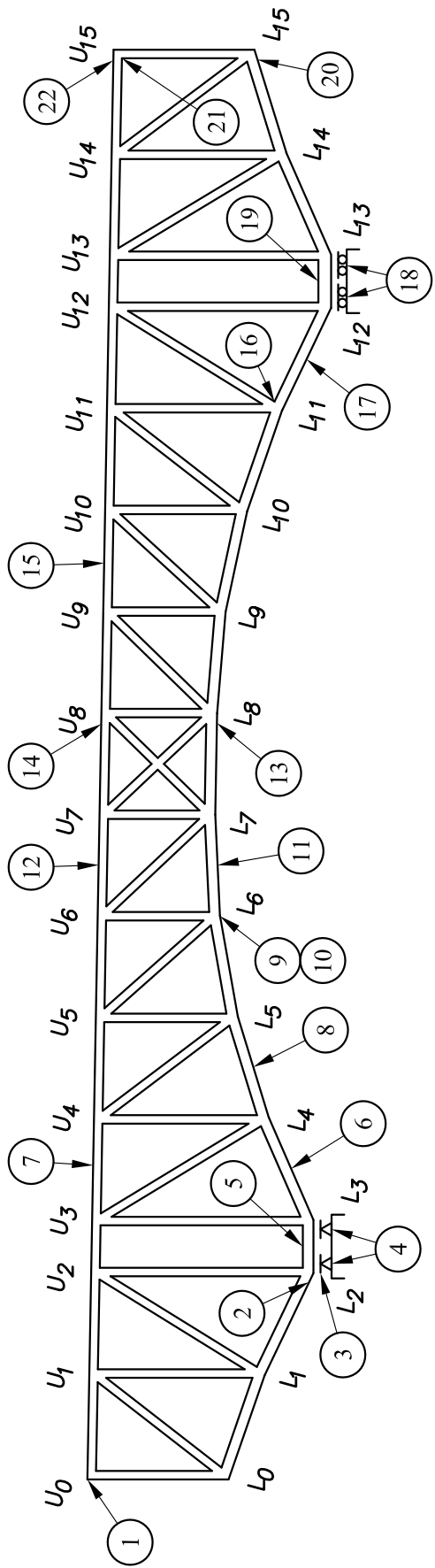
No.	Findings
1	Water leaking through torn joint gland.



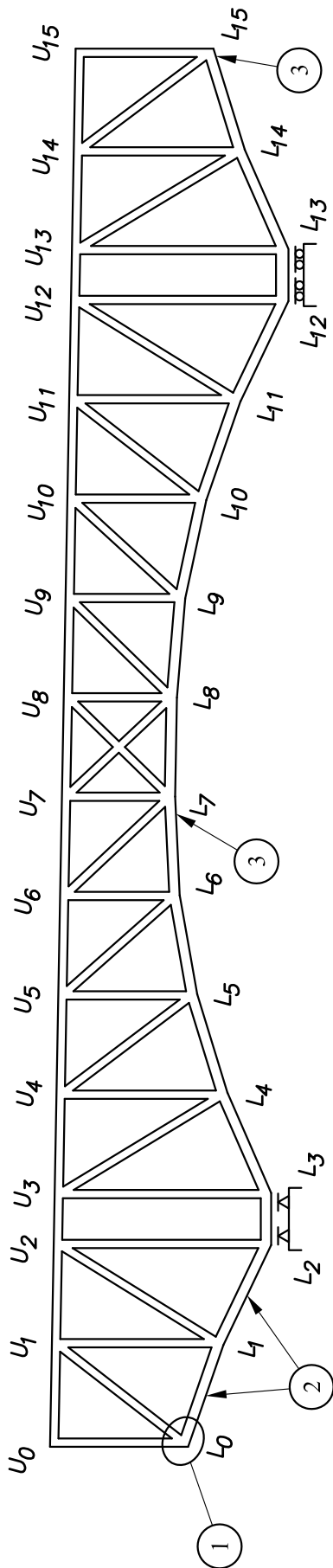
No.	Findings
1	Advanced pack rust expanding gusset plates of L ₀ U ₀ .
2	Floor Beam 0 near the north exterior truss has surface corrosion.
3	2' long section of advanced pack rust (2" wide) between web plate and bottom angle.
4	Water from junction box drain causing surface corrosion to the top of floor beam and horizontal knee brace gusset plate.
5	L ₉ has local paint failure and surface corrosion on top of top plate at lower lateral bracing gusset plate.
6	Local paint failure present.
7	Heavy pitting all around U ₁₂ .
8	Interior face of north pilaster cracked.



No.	Findings
1	Pack rust at top and bottom angles and north and south web plates.
2	Pack rust at angles and north and south web plates.
3	Pack rust at north and south gusset plates at both joints.
4	Pack rust at north gusset plate of diagonal connection.
5	Outstanding legs of top angles wavy due to built up pack rust causing separation between angles and web plates.
6	Pack rust and corrosion to north and south gusset plates and top angles above the pin at joint.

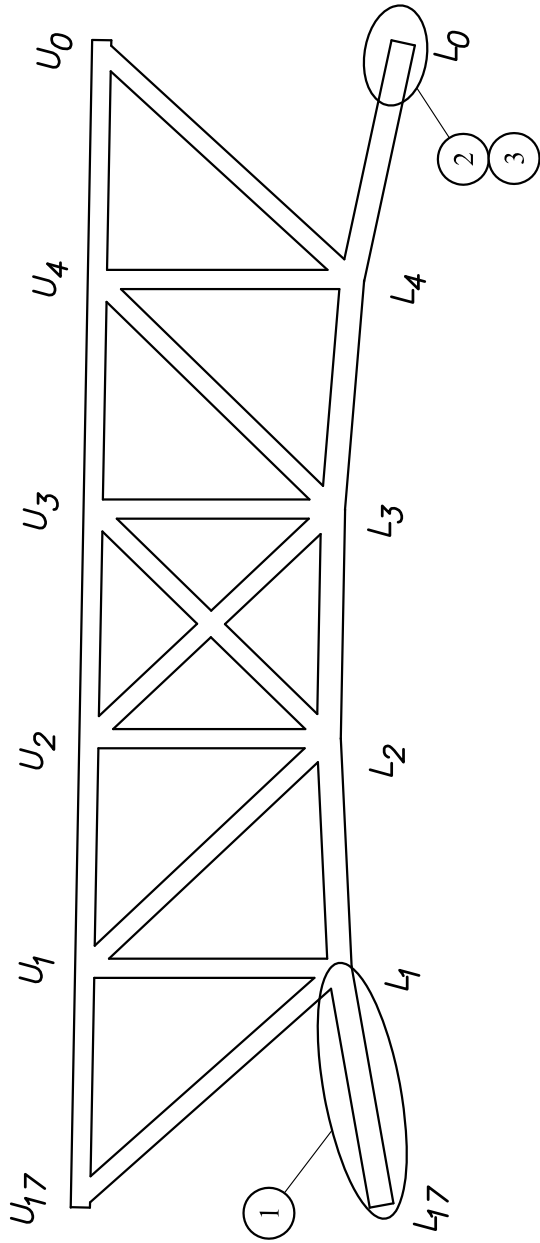


No.	Findings	No.	Findings
1	Active corrosion on the Floor Beam 0 top flange across 2 stringer bays.	12	Stringer 10: Active corrosion to top flange.
2	Holes found on the bracing of the gusset plate.	13	Pack rust at the south web gusset plate near L ₈ .
3	1/4" deep x 1/4" high pitting on the south gusset plate above the bearing casting.	14	Floor Beam 8: Corrosion to top flange present.
4	Drain holes clogged in bearing chamber.	15	Stringer 9 & 10: Rust stains and corrosion to top flange along entire length.
5	Active corrosion inside the box.	16	Gusset plates kinked inward due to pack rust.
6	1" of pack rust along the bottom north angle	17	1" pack rust along the vertical leg of the top north angle.
7	Stringer 11: 4" high hole at the web. 1/4" to 3/8" section loss along the entire bottom flange.	18	Debris collected at expansion bearing at L ₁₂ .
8	1 1/2" pack rust along the vertical leg of the bottom north angle.	19	Poor paint on south exterior web plate. Active pack rust on along the vertical leg of the bottom north angle.
9	5/16" section loss to the north gusset plate. The average depth over an area of 12"x6" is 1/4" at the east end.	20	Debris on top of lower lateral gusset plate at L ₁₅ .
10	1/4" to 1/8" section loss on both sides of the web plate at L ₆ .	21	3/4" to 1" pack rust along bottom of of gusset plates connection.
11	1 1/2" pack rust along the vertical leg of the bottom north angle. The web plate is 3/8" thick and bowed inward.	22	Debris inside bearing assembly. Leaking onto north side of bottom flange. Wind shear strut has flaked paint and light corrosion.

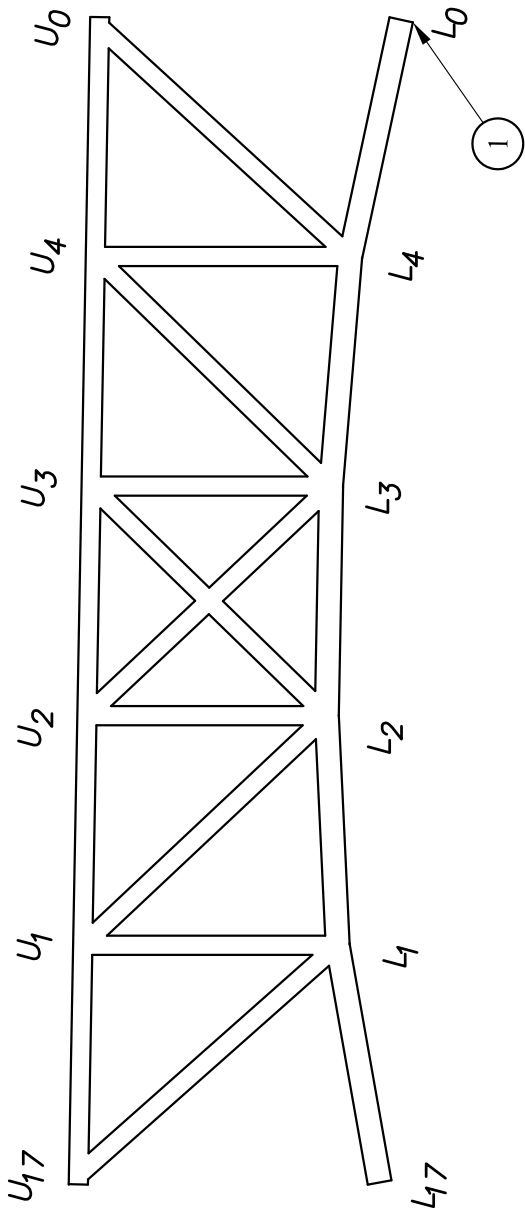


No.	Findings
1	Local paint failure with active corrosion.
2	Pack rust caulked with active corrosion between web plates and angles.
3	Split laminar tear in south gusset (11" x 16") at south plate. No growth present.
4	Pack rust with active corrosion and section loss (approximately 1/16") between inside of gusset plates and web plate of vertical and diagonal. Top gusset plate slightly bowed out.

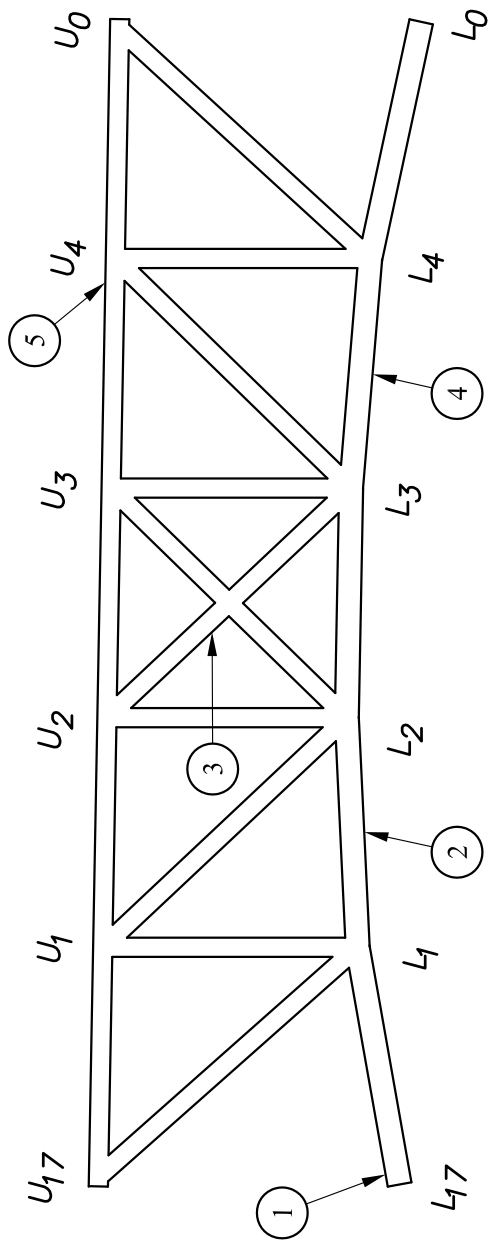




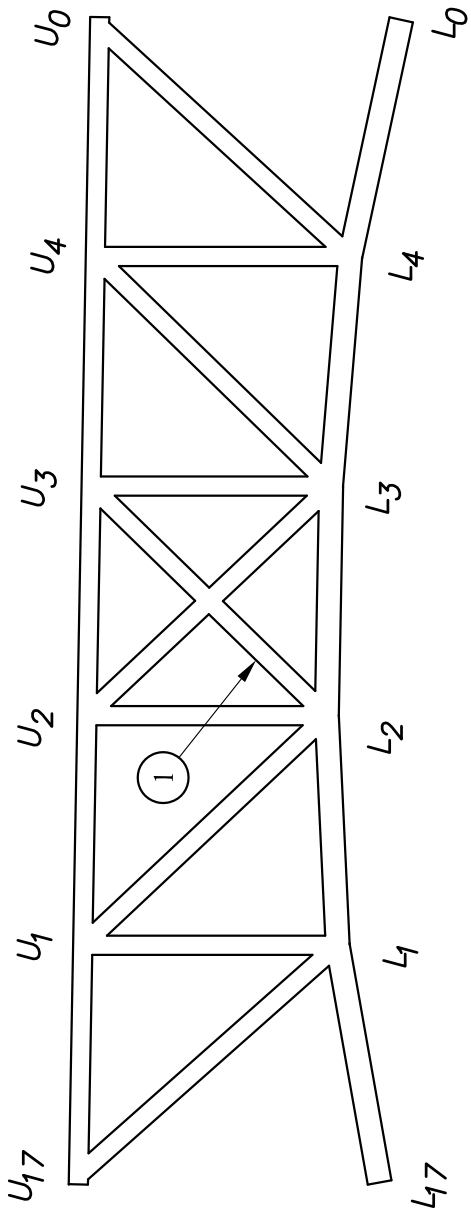
No.	Findings
1	Local paint failure.
2	Top horizontal diaphragm buckled above pin due to pack rust.
3	Local paint failure.



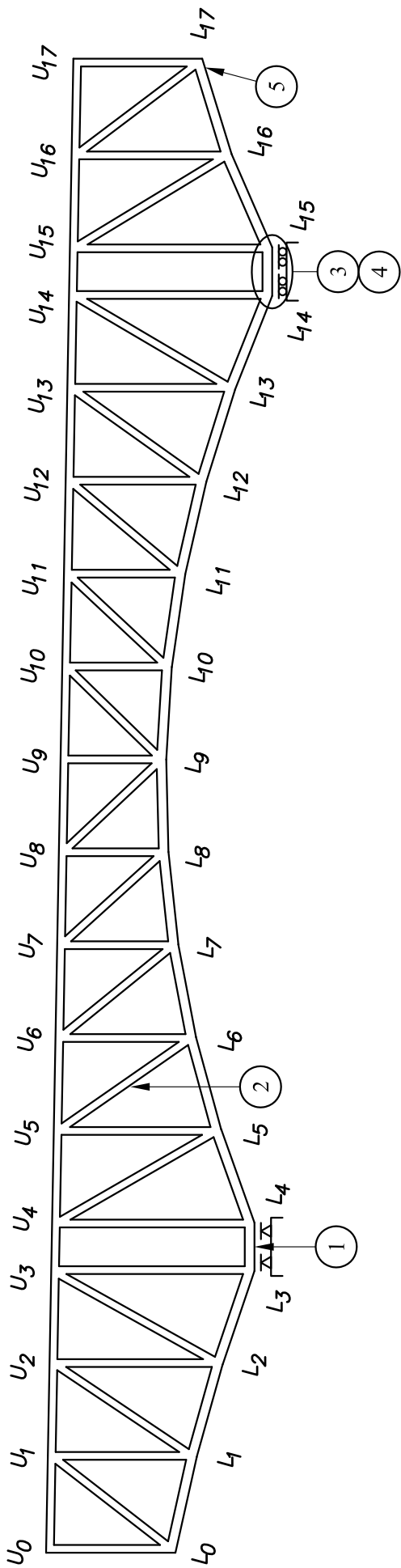
No.	Findings
1	North and south gusset plates have section loss at connection to L ₄ L ₀ .



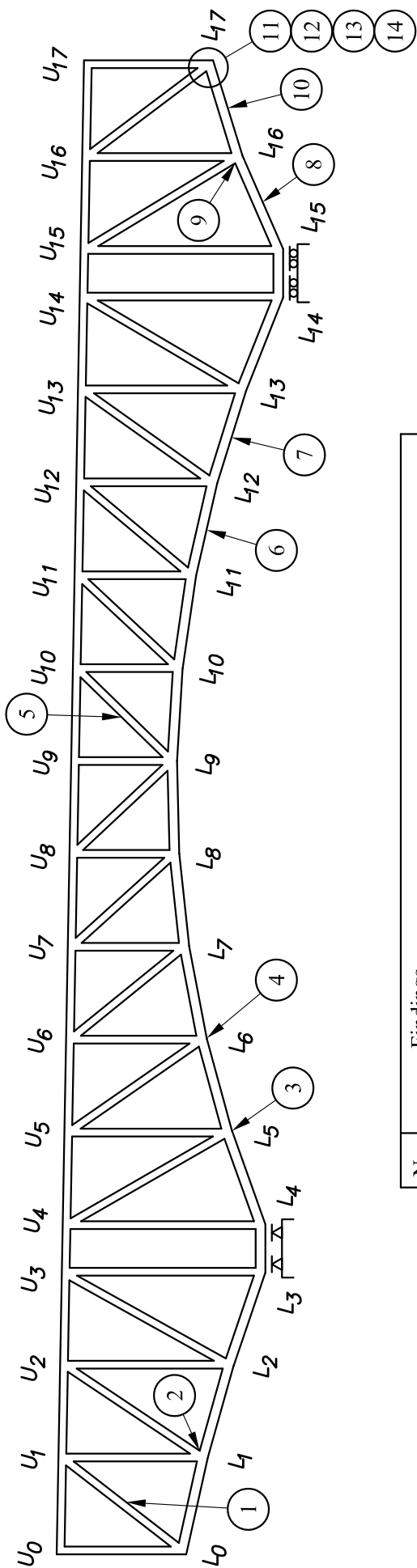
No.	Findings
1	Top plate buckled up $7/16$ " over a length of 5". L ₁₇ appears frozen.
2	$3/8$ " of pack rust along both sides of the top portion of the chord.
3	Pack rust found along the underside of the member
4	1" of pack rust along the vertical leg of the bottom north angle.
5	Pigeon manure found inside U ₄ enclosure.



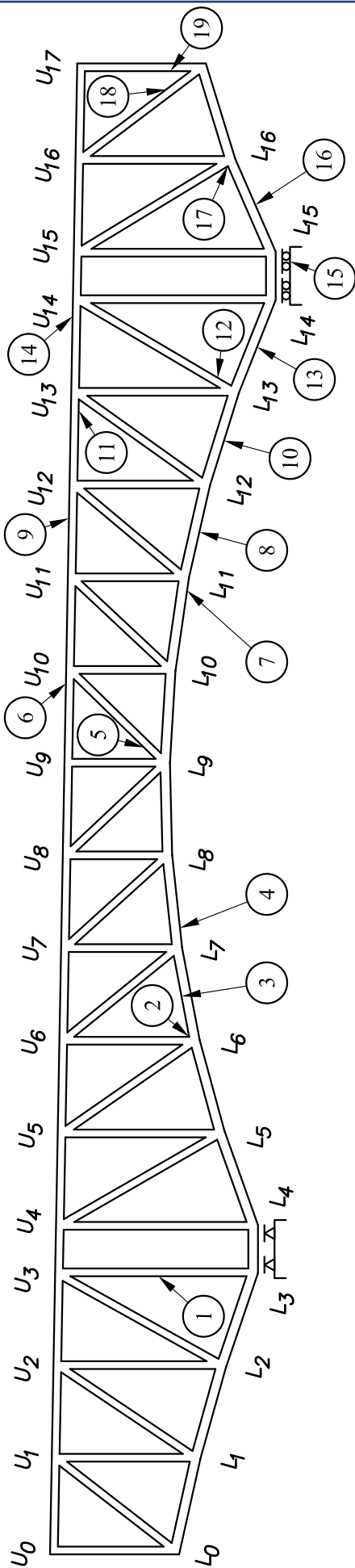
No.	Findings
1	Active pack rust along north web plate, active corrosion on top angles.



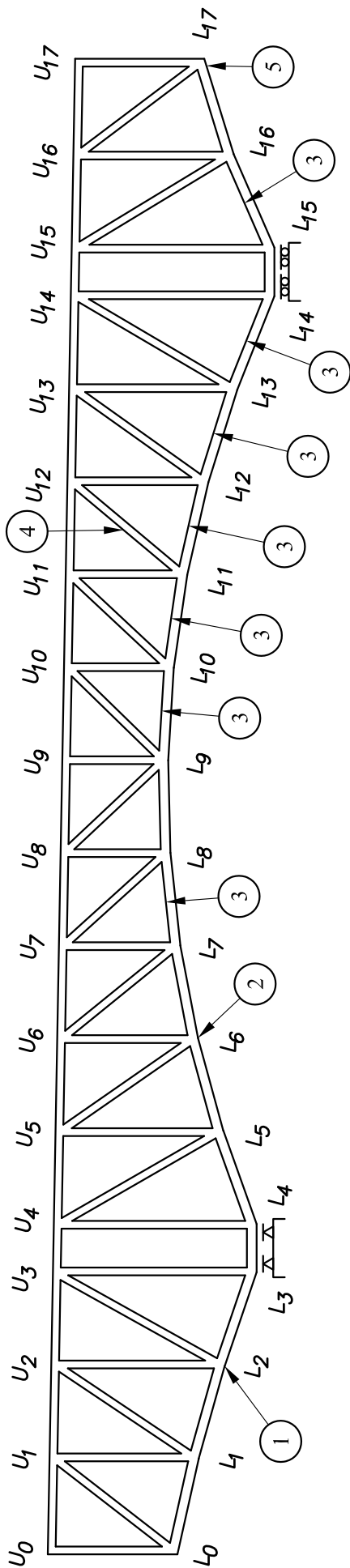
No.	Findings
1	1" pack rust between bottom angle and web plate.
2	Fin in web plate in material midway up U ₅ L ₆ on top interior angle.
3	Water in both pots of L ₁₄ . Bearing L ₁₅ is dry.
4	Local paint failure present.
5	Section loss on both pins of L ₁₇ .



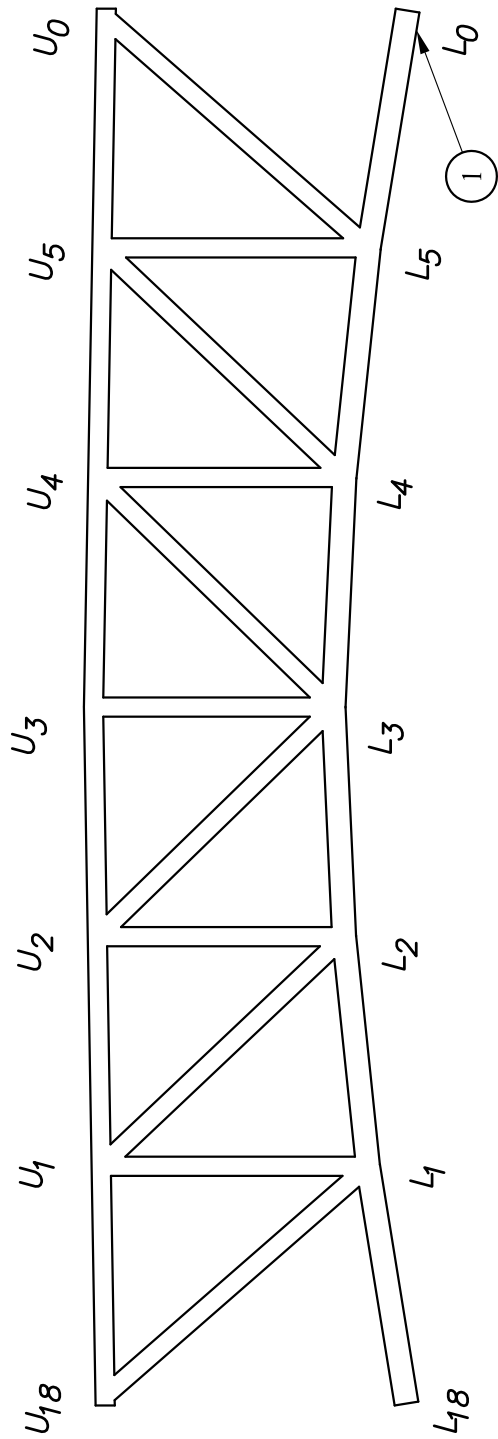
No.	Findings
1	South web plate has pack rust up to 1". North web plate has pack rust up to $\frac{3}{4}$ ".
2	Gusset plates slightly kinked inward.
3	Section loss to south gusset plate at vertical and diagonal connections.
4	Gusset plates kinked slightly outward.
5	Up to $\frac{3}{4}$ " pack rust at north web and top angle.
6	Top angles are warping between channel lacings.
7	Pack rust found along the entire length of the member.
8	Top angles have pack rust along the member and are warped between channel lacing.
9	Section loss to the north face of diagonal connection gusset plate.
10	Hole in south lower angle flange.
11	North and south gusset plates moderate section loss and pack rust.
12	Pack rust at lower angles of gusset plate connection to diagonal.
13	Corrosion at north lower lateral brace gusset plate.
14	Local paint failure present.



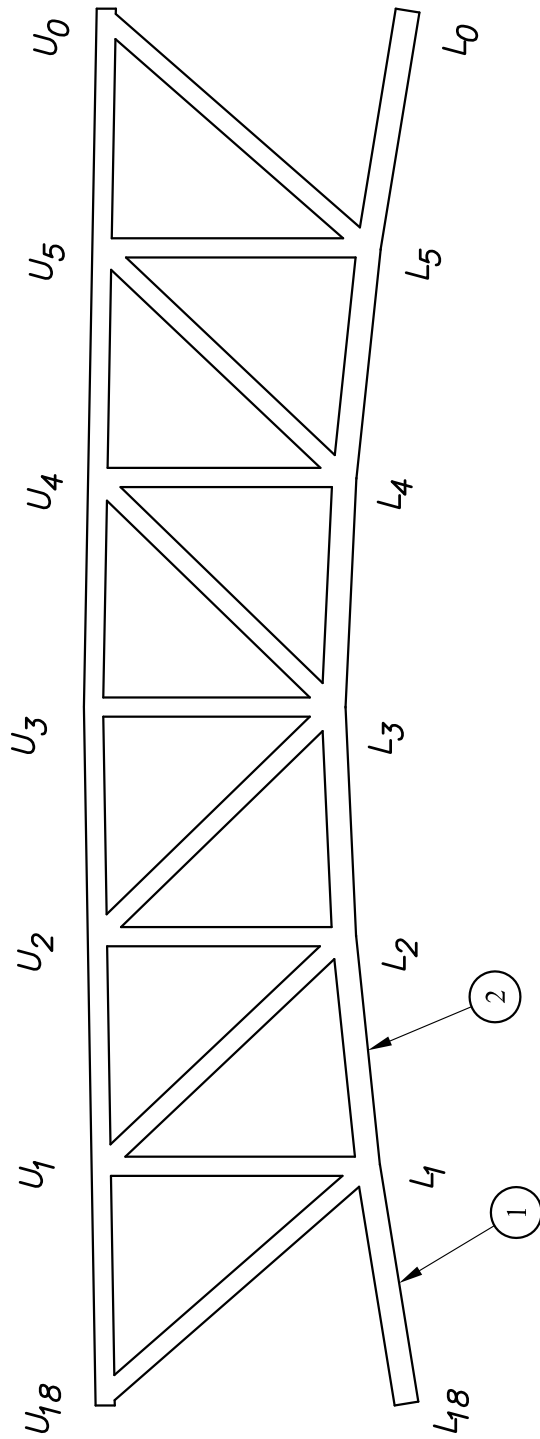
No.	Findings	No.	Findings
1	Separation between web plate and angle at lateral diagonal connection???	11	Metal plate welded to Joint U ₁₃ gusset plate and U ₁₂ U ₁₃ .
2	South gusset plate kinked below gusset plate brace.	12	18" long x 3/16" deep section loss to the north web plate.
3	5/16" separation between the north top angle and web plate caused by peculiarly rooted pack rust.	13	1/4" to 3/8" separation between top angles and web plate due to pack rust.
4	1/2" hole to the outstanding leg of the bottom north flange angle.	14	Utility drain leaking on top chord at Joint U ₁₄ .
5	3/16" x 3" loss to the outstanding leg of the top north angle.	15	Dirt accumulation along the bottom of the east roller nest.
6	Pigeon nest present in upper chord.	16	1" pack rust along the vertical leg of the bottom angle.
7	3" wide hole in the outstanding leg of the bottom north angle.	17	1/4" of section loss to the north web plate at gusset plate interface?
8	1/4" pack rust along the vertical leg of the bottom north angle.	18	1/8" x 3" section loss along the outstanding leg of the top angle around Joint L ₁₇ .
9	Corrosion to the top flange of Stringer 10, Panel 12.	19	2 3/8" of pack rust between the interior web plate and gusset plate.
10	1 3/8" pack rust found at two spots on the bottom north angle.		



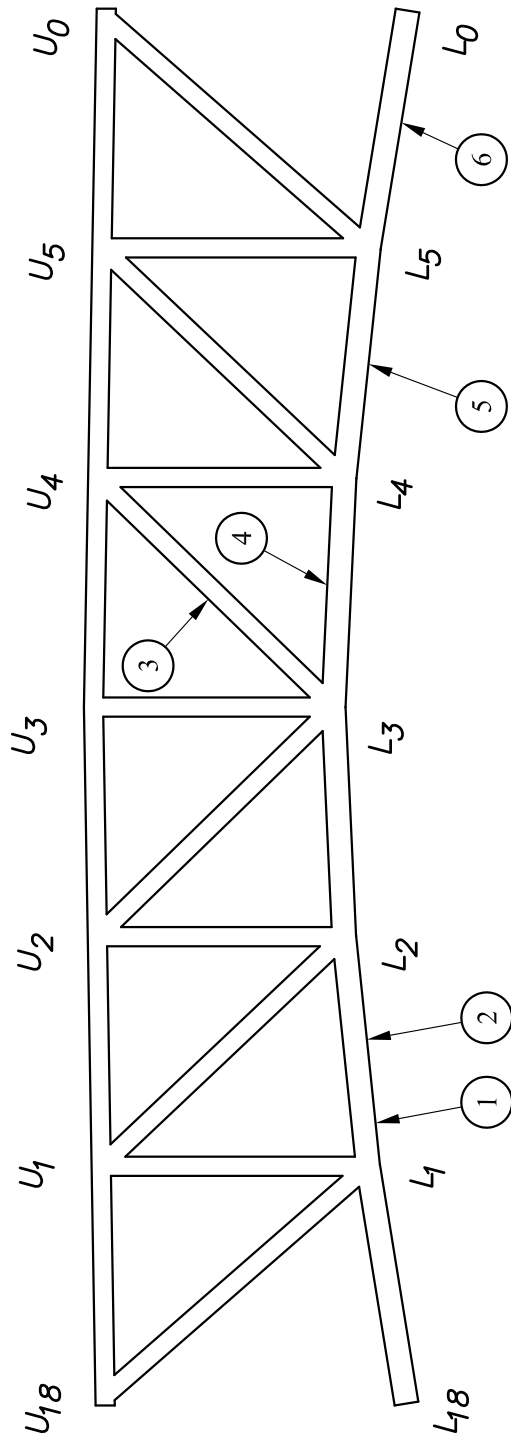
No.	Findings
1	Gusset plates appear slightly bowed inward along east unbraced length.
2	Active corrosion with section loss at top of lower chord angle by north gusset plate.
3	Active corrosion at sealed pack rust along top flange angles.
4	Active corrosion with minor section loss to north face of north web plate. Manhole through top deck leaks onto utility shed.
5	Pack rust between angles and active corrosion inside gusset plates.



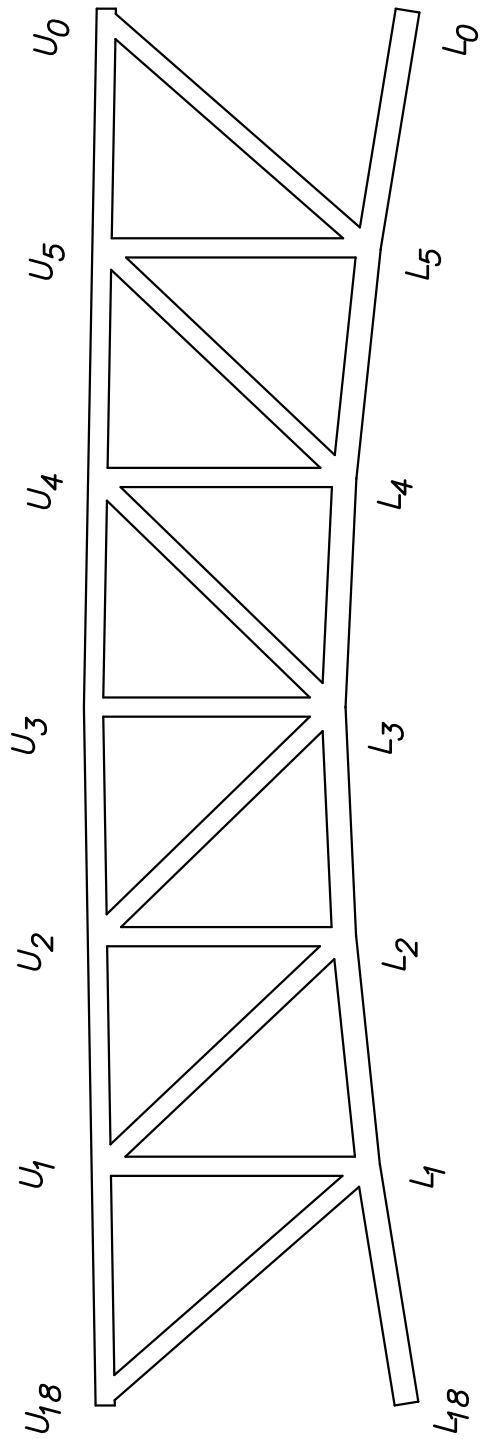
No.	Findings
1	Paint flaking on top of bottom tie plate.



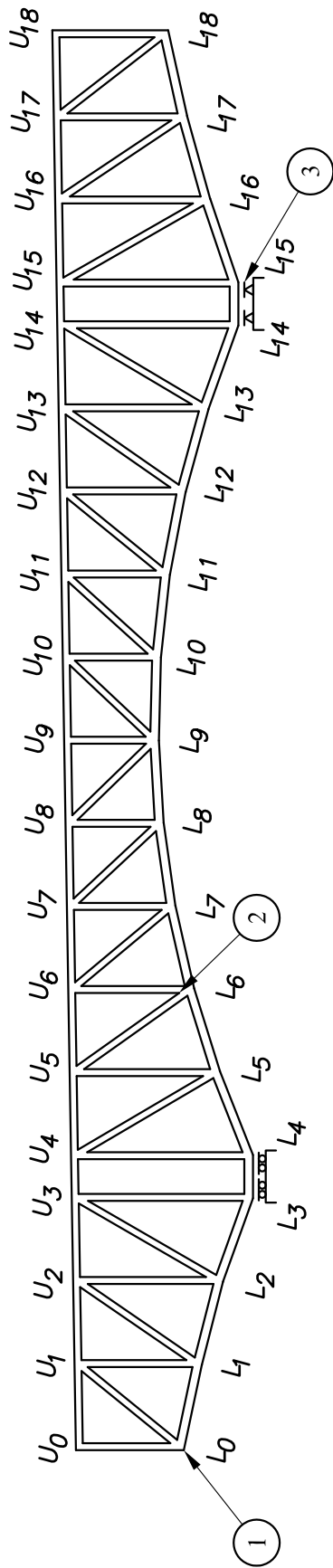
No.	Findings
1	1" pack rust along top south flange angle and 1 3/4" pack rust along top north flange angle.
2	1 1/2" pack rust along top north flange angle.



No.	Findings
1	Pin hole to bottom north angle outstanding leg.
2	1 1/2" to 1 5/8" pack rust along the vertical leg of the bottom north angle; remaining angle leg thickness 3/16" - 1/4".
3	Pack rust along top flange angles.
4	Top outstanding leg of angle has a 1/2" downward buckle; 1 1/2" of pack rust along bottom north angle; active corrosion at pack rust caulk.
5	Heavy pack rust at top flange angles.
6	Downward bowing in the outstanding leg of the top south flange.

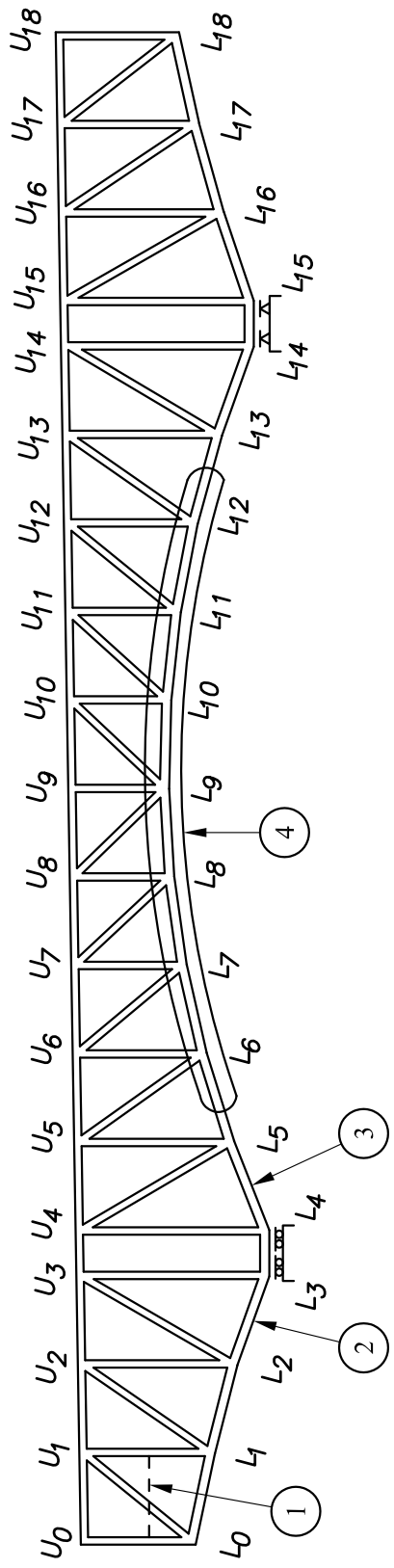


NO SIGNIFICANT FINDINGS PRESENT.

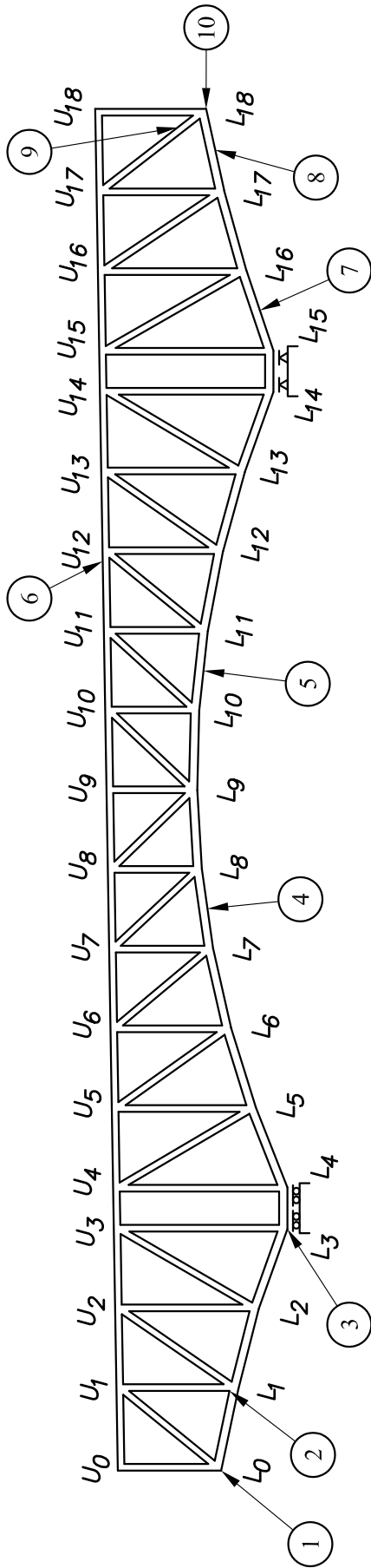


No.	Findings
1	Active corrosion at pack rust locations.
2	1/8" deep pitting on bottom stay plate.
3	Minor pack rust between gusset plate and bearing plates.

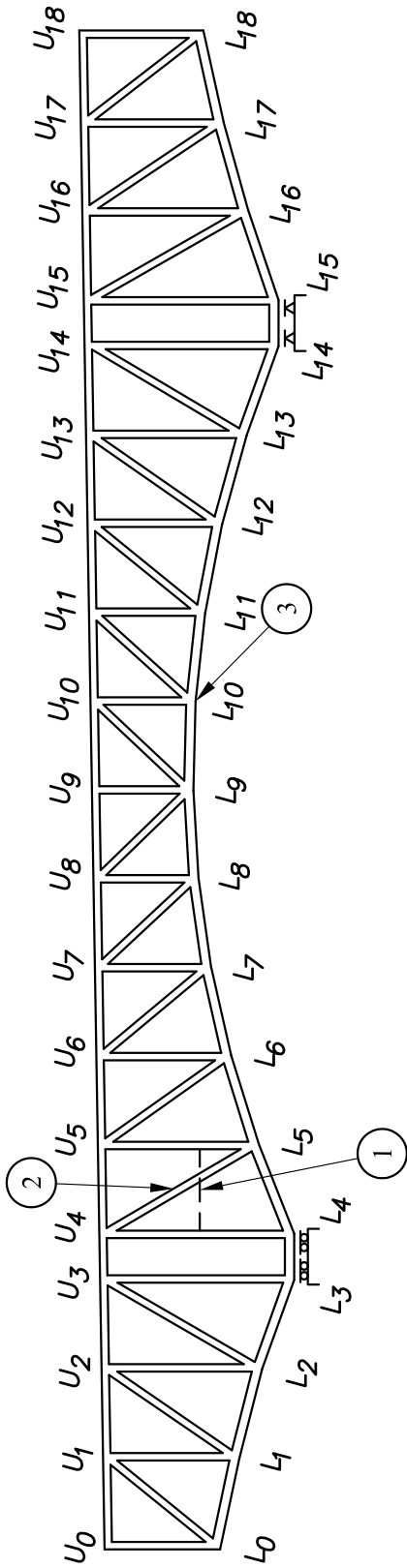




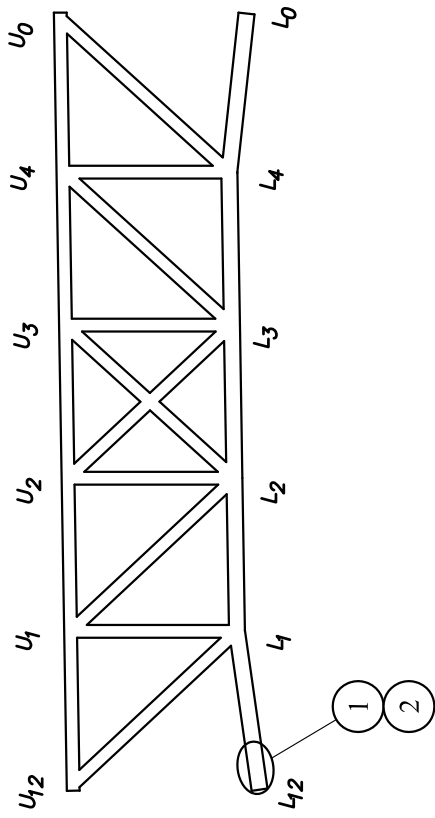
No.	Findings
1	North web plate top corner bowed with pack rust.
2	Maintenance Deck, Stringer 1: multiple holes in web at L ₀ floor beam connection.
3	North and south web plates bowed at top, no pack rust evident.
4	North and south web plates bowed $\frac{1}{4}$ " to $\frac{1}{2}$ " top and bottom along interior.



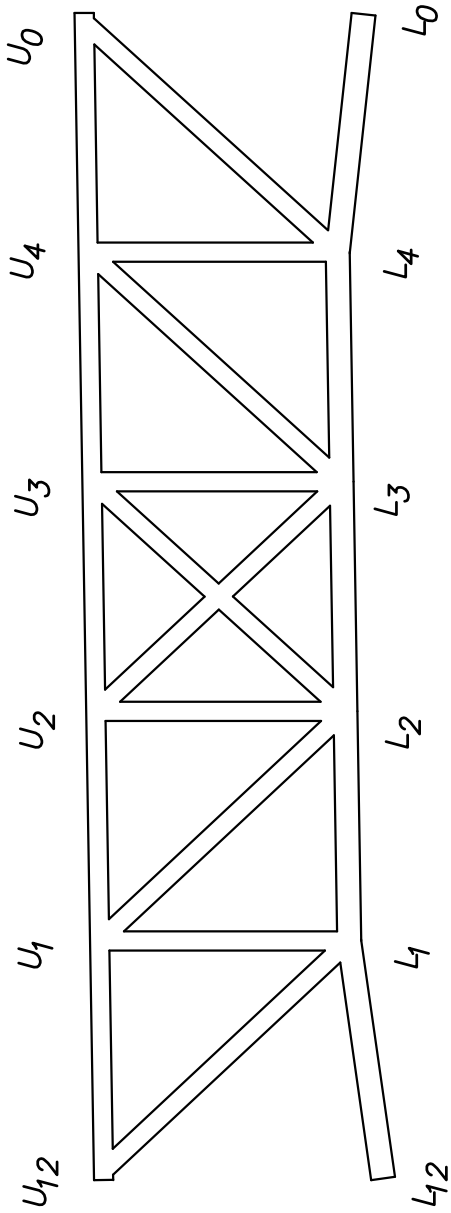
No.	Findings
1	Missing rivet to north and south gusset plate connections.
2	Slight bow to south gusset plate.
3	Old flake rust painted over.
4	1 1/2" pack rust at top of north flange and 3/4" pack rust at top of south flange.
5	4" high x 9" long section loss to bottom of north web plate.
6	Utility drain leaking onto diagonal.
7	Both web plates bowed out 9/16" to 1" with little corrosion observed.
8	2" diameter circular area with 1/2" section loss.
9	1/8" section loss to the outstanding legs of the top two angles.
10	Corrosion to bottom lateral and vertical gusset plates. Rust was not successfully removed during painting in 2002 rehab.



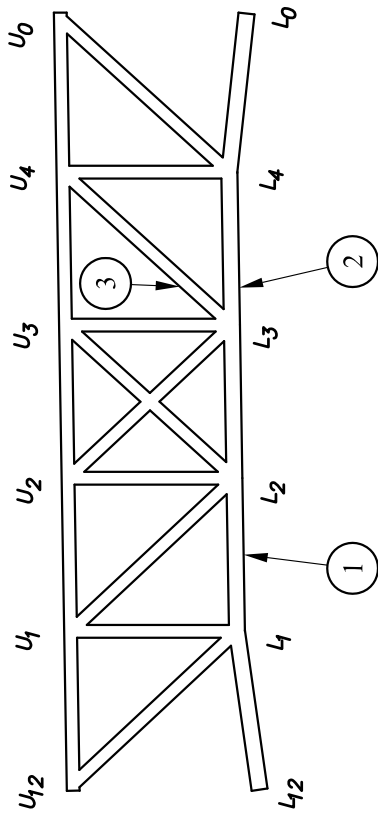
No.	Findings
1	Infiltration through maintenance deck.
2	Active corrosion along full length of top flange angles due to pack rust.
3	1/4" deep pitting throughout top of lower lateral bracing gusset plate.



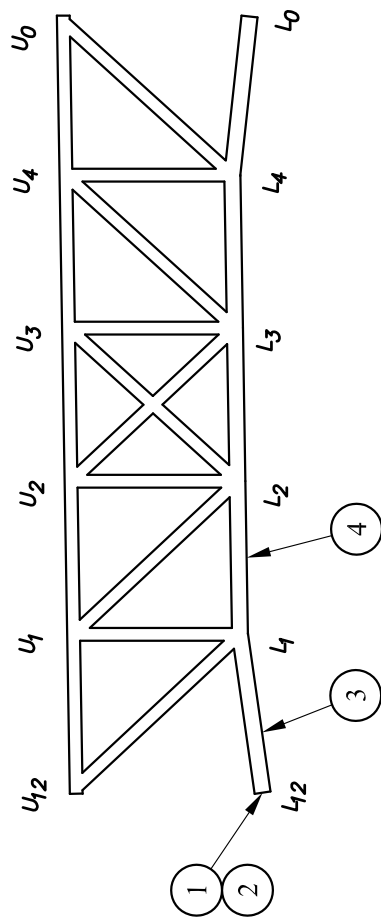
No.	Findings
1	1/4" deep loss to pin at plate interface.
2	Local paint failure.



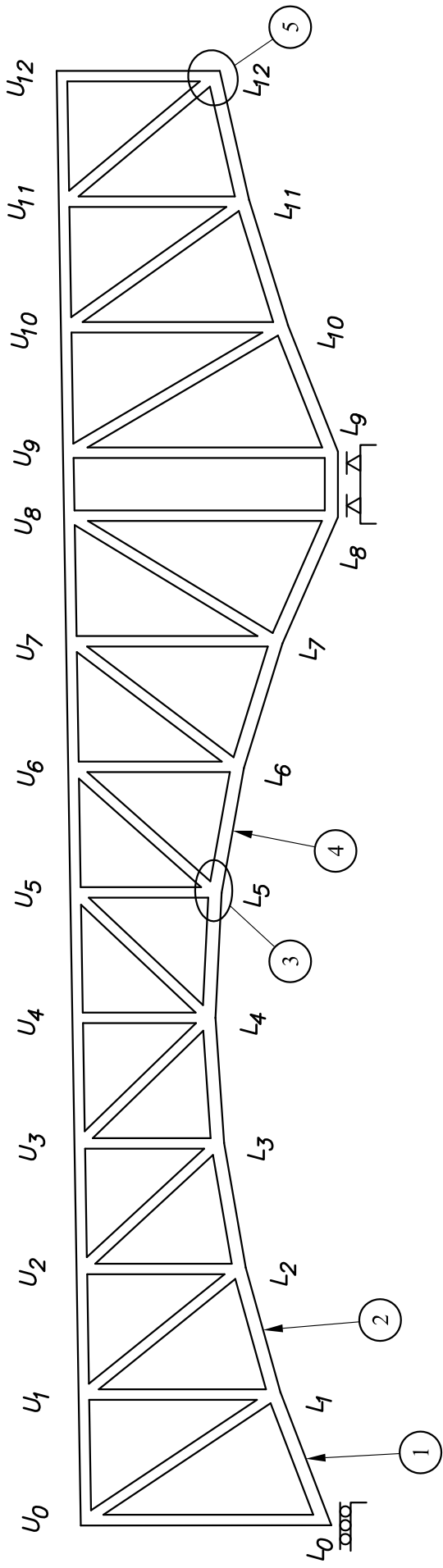
NO SIGNIFICANT FINDINGS PRESENT.



No.	Findings
1	3 holes (up to 2" Ø) to the outstanding leg of the bottom north angle.
2	23 1/2" long crack on outstanding leg of top north angle under the top stay plate has grown about 1/2" since 2012.
3	3" long x 1/4" deep section loss to both top horizontal angle legs.

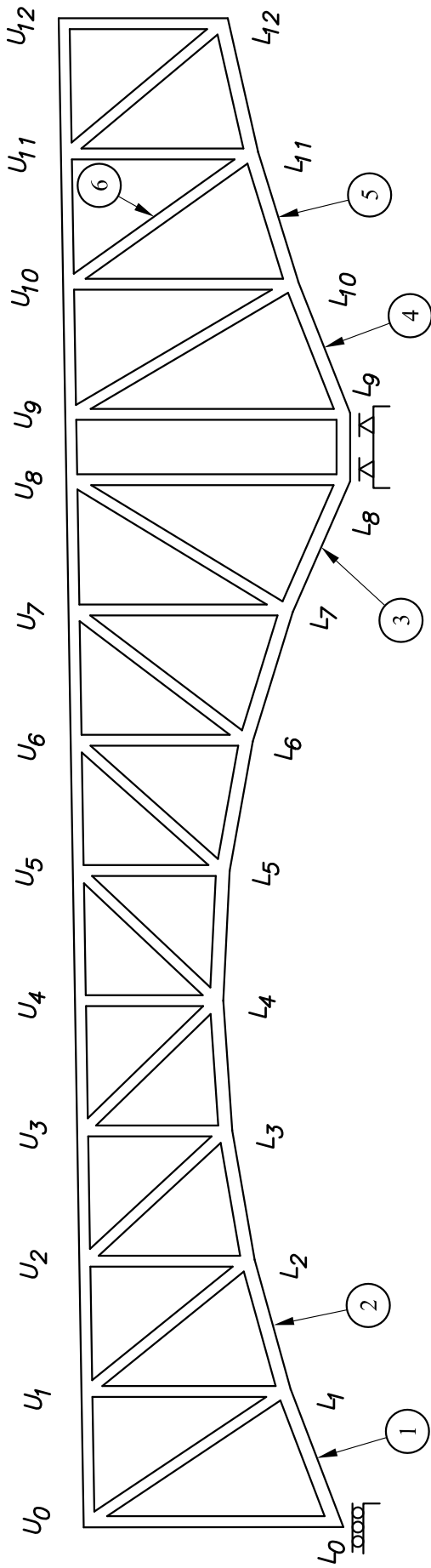


No.	Findings
1	Section loss to pin hinge at web interface.
2	Little or no movement at expansion hinge. Hinge appears frozen due to pack rust.
3	Pin holes to flange angles with pack rust up to 1" wide.
4	1 1/2" Ø hole to south web plate with 1 1/2" pack rust above bottom flange angle.

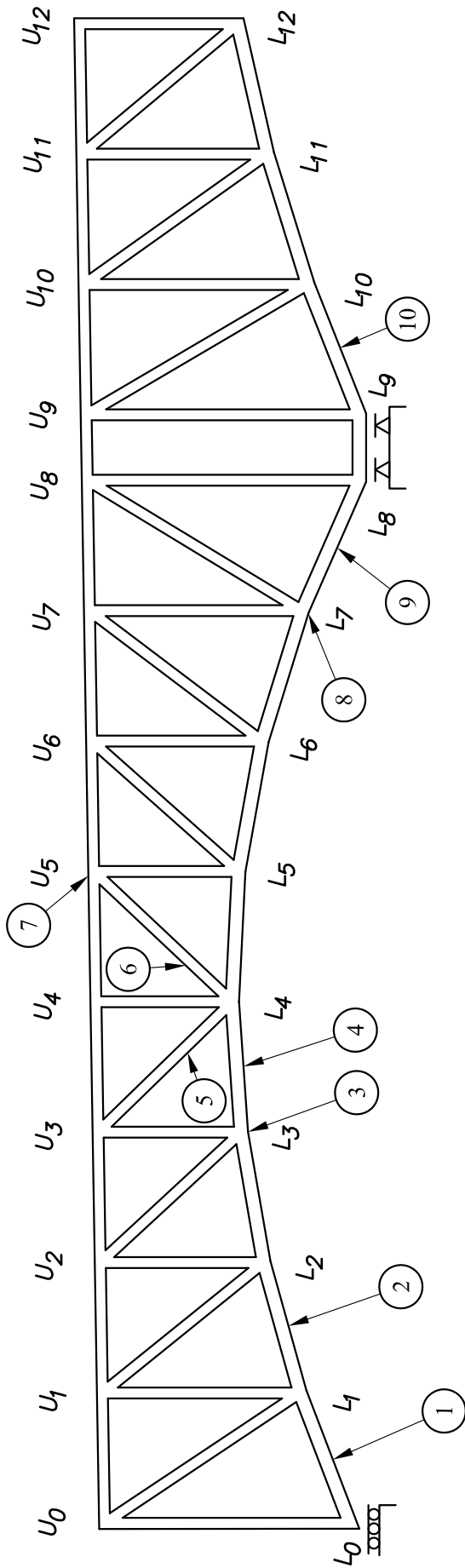


No.	Findings
1	Zero Load Member: Advanced pack rust with 3" high web perforations present.
2	Two-inch pack rust along bottom south flange angles.
3	Failed paint on bottom lateral bracing gusset plate.
4	Flange angles bowed due to pack rust.
5	Local paint failure.

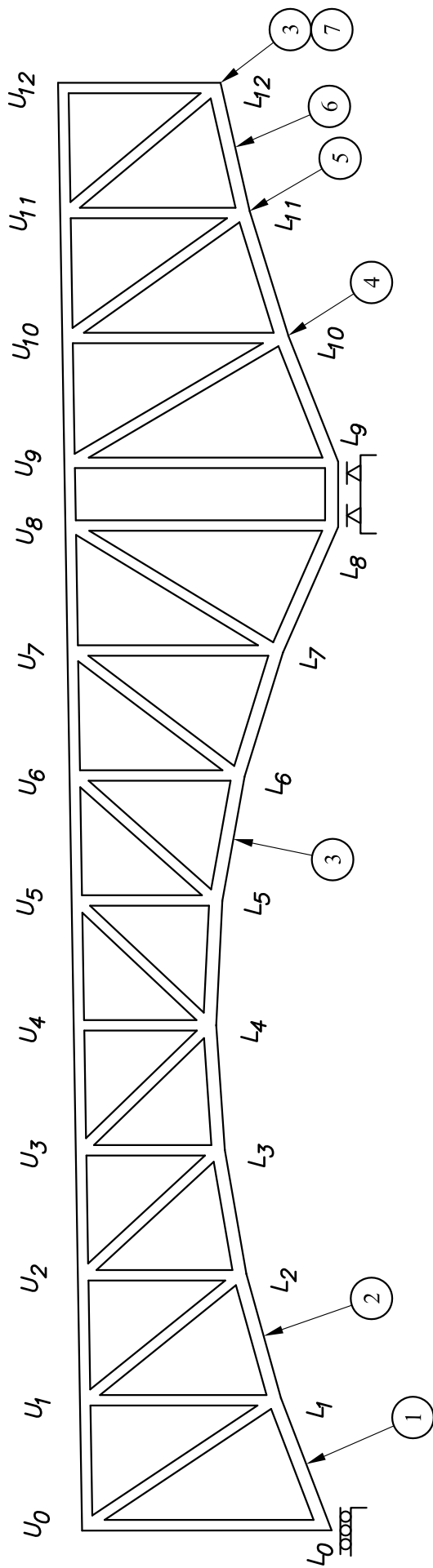




No.	Findings
1	Zero Load Member: Advanced pack rust present.
2	Advanced section loss present.
3	South web plate bowed out $\frac{3}{8}$ ", no signs of pack rust present.
4	Web plate bowed out $\frac{3}{8}$ ", no pack rust present
5	$\frac{3}{4}$ " pack rust at bottom flange angles.
6	Bent lacing bar.



No.	Findings
1	Zero Load Member: Advanced pack rust present.
2	Perforation on north web plate, measured 20% section loss in primary sections.
3	Hole in bottom lateral gusset plate.
4	Bottom north angle: 3 - 1" Ø holes pack rust $\frac{1}{2}$ " to 1" throughout all 4 flange angles.
5	100% section loss to outstanding leg of top south angle.
6	$\frac{1}{4}$ " deep section loss to outstanding leg of top south angle.
7	Leaking pull box drain from deck.
8	12 of 16 bolt rivets (south plate) and 4 of 16 bottom rivets (north plate) missing interior head and have no theoretical clamping force.
9	$\frac{1}{2}$ " to $\frac{3}{4}$ " bowing to top and bottom edges of south supporting web plate. $\frac{3}{4}$ " to 1" bowing to top and bottom edges of north supporting web plate.
10	Pack rust $\frac{1}{2}$ " to 1" wide on all 4 flange angles.



No.	Findings
1	Zero Load Member: Advanced pack rust present.
2	2" thick pack rust along bottom flange angles.
3	$\frac{3}{4}$ " pack rust between vertical interface of north panel point fill plate and north web plate.
4	$\frac{1}{8}$ " total section loss above lower chord with active corrosion on north gusset plate exterior.
5	End of bottom south fill plate bowed out 2".
6	$\frac{1}{2}$ " to $1\frac{1}{2}$ " pack rust at bottom south flange angle.
7	Active corrosion inside panel point connection.