

LORAIN-CARNEGIE BRIDGE
 CUY-10-1685 COUNTY BRIDGE No. 148

EXISTING STRUCTURE:
 TYPE: REINFORCED CONCRETE GIRDER, DECK, AND SUBSTRUCTURE
 SPAN: SEE PLAN
 ROADWAY: VARIES
 NORTH SIDEWALK 6'-9"
 SOUTH SIDEWALK 18'-1"
 LOADING: HS-20-44 CASE II AND THE ALTERNATE MILITARY LOADING
 SKEW: VARIES
 WEARING SURFACE: 2 1/2" ASPHALT CONCRETE
 APPROACH SLABS: WEST APP. SLAB 25'-0" ALIGNED WITH C LORAIN-CARNEGIE BRIDGE
 EAST APP. SLAB 25'-0" ALIGNED WITH E CARNEGIE AVENUE
 ALIGNMENT: TANGENT
 SUPERELEVATION: VARIES
 DATE BUILT: 1932, 1982
 STR. FILE No.: 1801511

PROPOSED WORK:
 ALL DATA IS SAME AS EXISTING STRUCTURE, EXCEPT AS FOLLOWS:
 WEARING SURFACE: 2 3/4" MICRO-SILICA MODIFIED CONCRETE

BENCHMARK LOCATION:
 O.M. 42 SQUARE IRON BOX
 SOUTH WALK OF CARNEGIE AVENUE 250 FEET EAST OF BROADWAY AVENUE CENTERLINE

NOTES:

- FOR EXISTING/PROPOSED PAVEMENT ELEVATIONS SEE SHEET 23/24.
- COORDINATE MAINTENANCE OF TRAFFIC AND WORK PHASES WITH CONTRACTOR ON PROJECT CUY-10-1613 (HOPE MEMORIAL BRIDGE REHABILITATION).

DRAWING NAME: S.30200
 PLOTTING SCALE: 1:240
 PLOT DATE: 02/24/00

DESIGN AGENCY
 CUYAHOGA COUNTY ENGINEER
 BRIDGE DESIGN DEPARTMENT

DATE
 2/28/00

DESIGNED
 BGF

CHECKED
 BGF

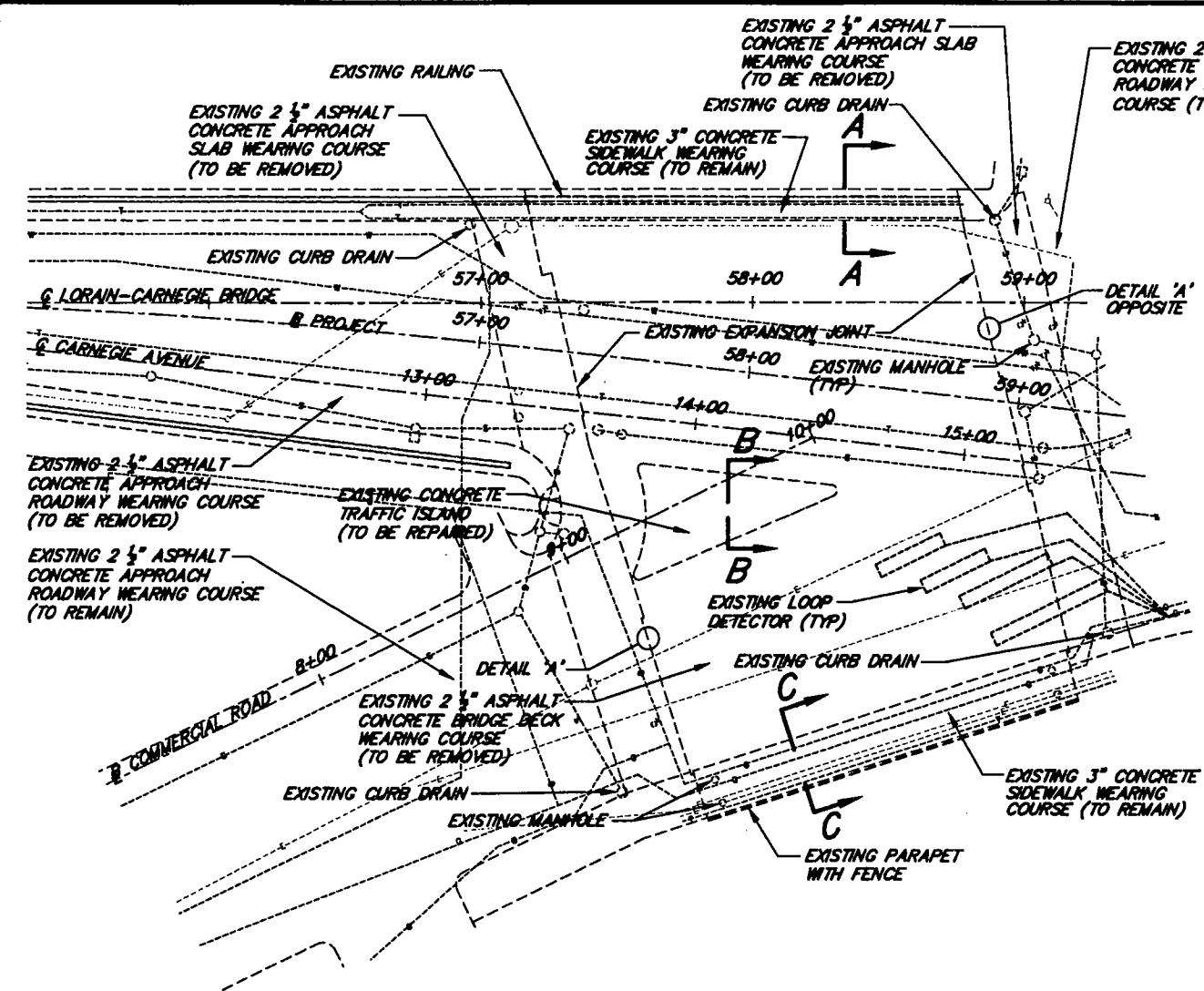
REVISIONS
 FILE NO. 1801511

GENERAL PLAN AND PROFILE
 LORAIN-CARNEGIE BRIDGE No. 148
 OVER GCRTA TRACKS

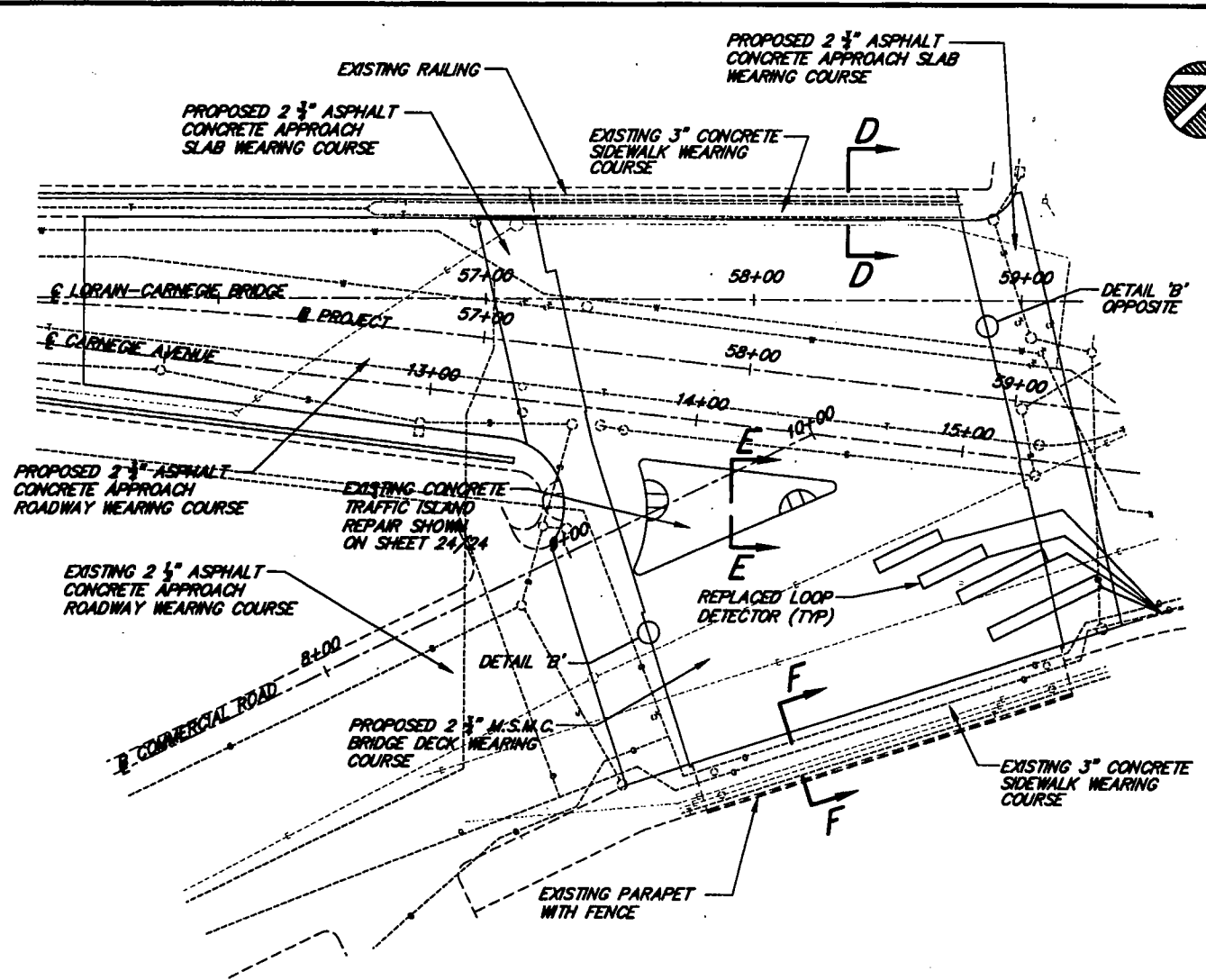
B-No. 23
 Report No. 7249

CUY-10-1685

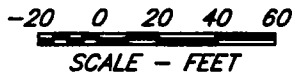
1/5
 20/24



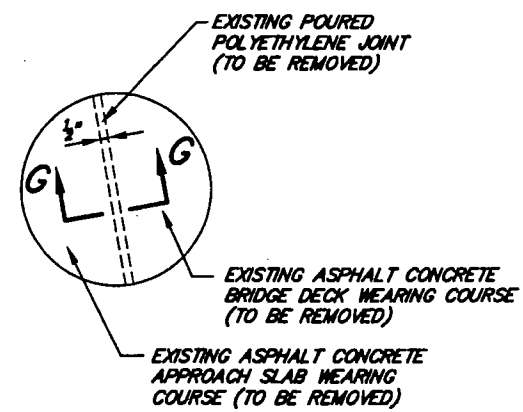
EXISTING PLAN



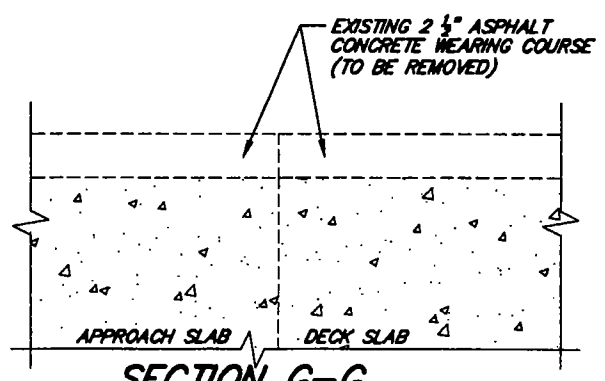
PROPOSED PLAN



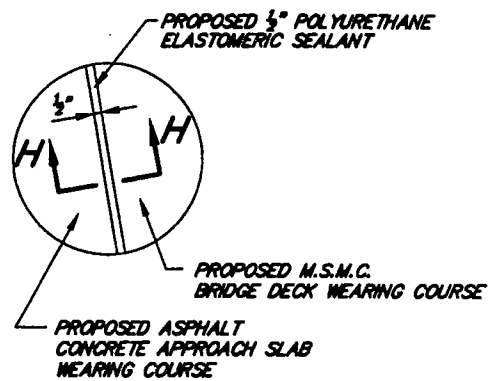
NOTE:
 1. FOR SECTIONS A-A, B-B, C-C, D-D, E-E, AND F-F SEE SHEET 22/24.
 2. FOR CONCRETE TRAFFIC ISLAND REPAIR DETAILS SEE SHEET 24/24.



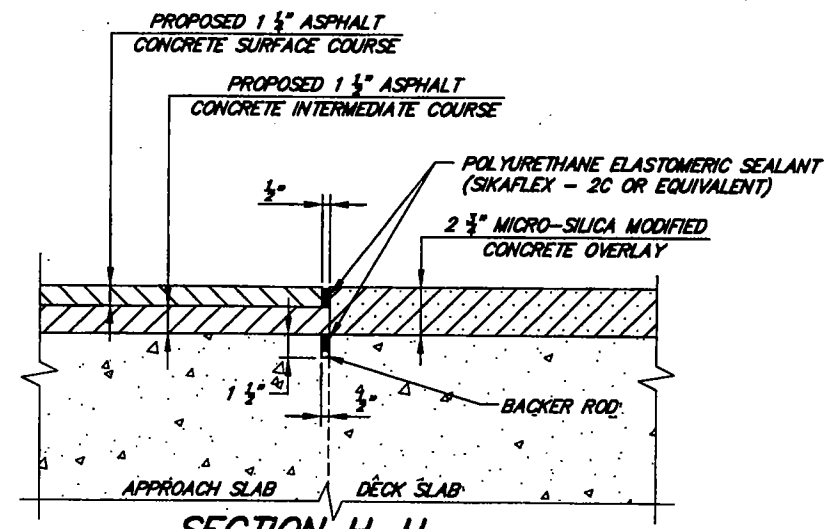
DETAIL 'A'
EXISTING JOINT



SECTION G-G
EXISTING JOINT DETAIL
WEST APPROACH SLAB SHOWN
EAST APPROACH SLAB OPPOSITE

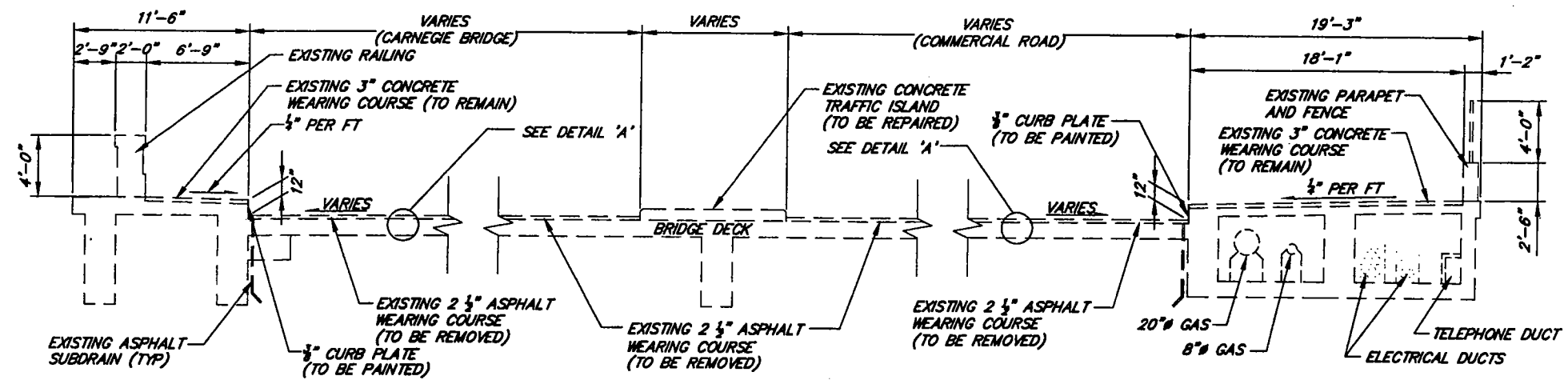


DETAIL 'B'
PROPOSED JOINT SEALER



SECTION H-H
PROPOSED JOINT DETAIL
WEST APPROACH SLAB SHOWN
EAST APPROACH SLAB OPPOSITE

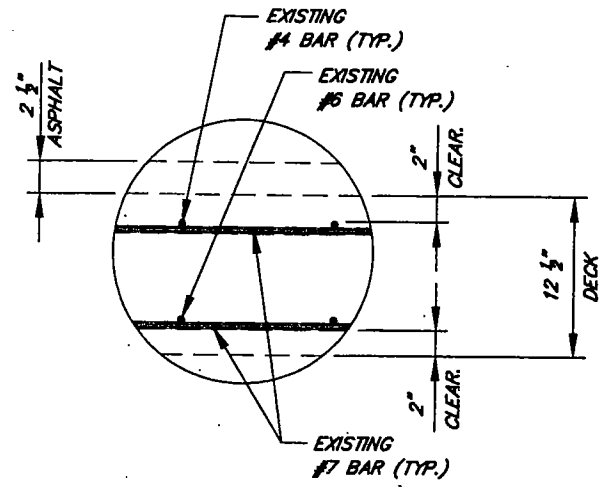
DRAWING NAME: 21-089
 PLOTTING SCALE: 1"=40'
 PLOT DATE: 02/24/00



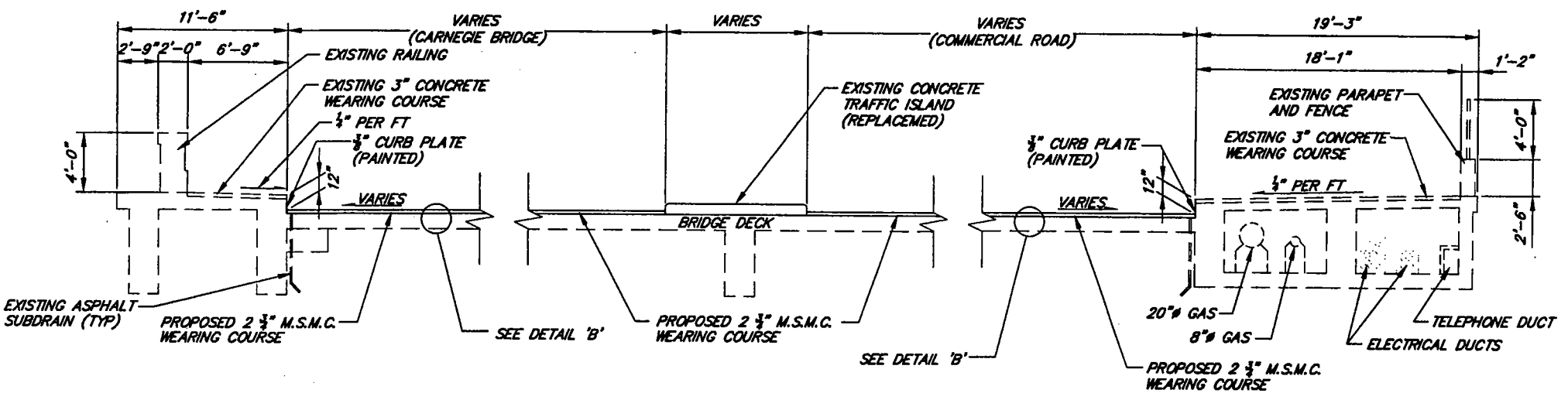
SECTION A-A
EXISTING NORTH SIDEWALK
AND CURB DETAIL

SECTION B-B
EXISTING CONCRETE TRAFFIC
ISLAND DETAIL

SECTION C-C
EXISTING SOUTH SIDEWALK
AND CURB DETAIL



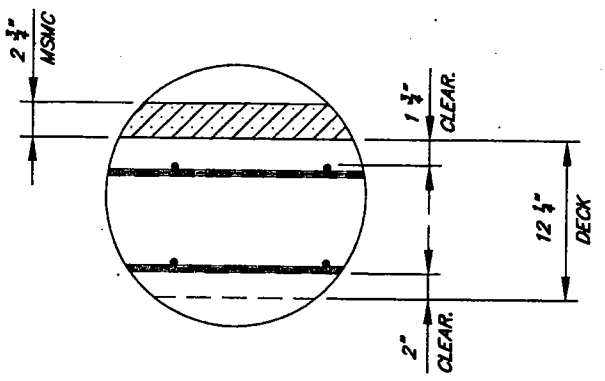
DETAIL 'A'



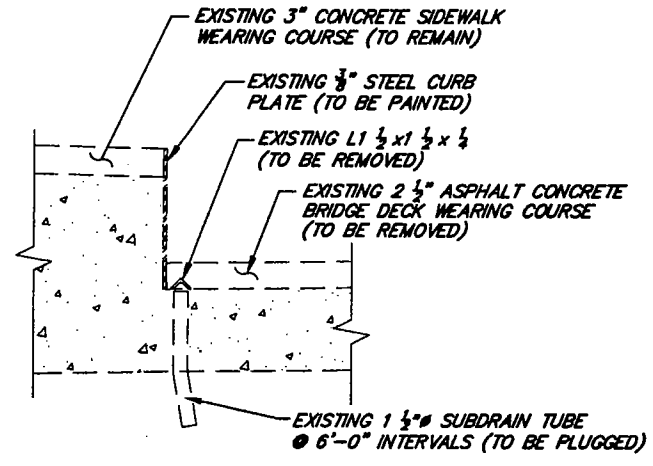
SECTION D-D
PROPOSED NORTH SIDEWALK
AND CURB DETAIL

SECTION E-E
PROPOSED CONCRETE TRAFFIC
ISLAND DETAIL

SECTION F-F
PROPOSED SOUTH SIDEWALK
AND CURB DETAIL



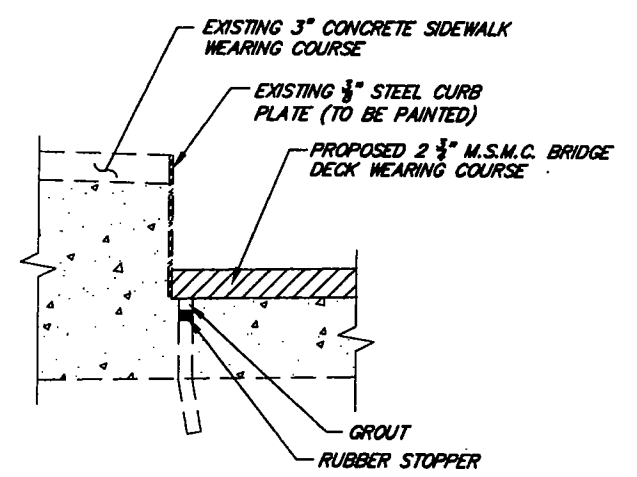
DETAIL 'B'



EXISTING SUBDRAIN DETAIL
REINFORCEMENT NOT SHOWN FOR CLARITY

SUBDRAIN PLUGGING PROCEDURE:

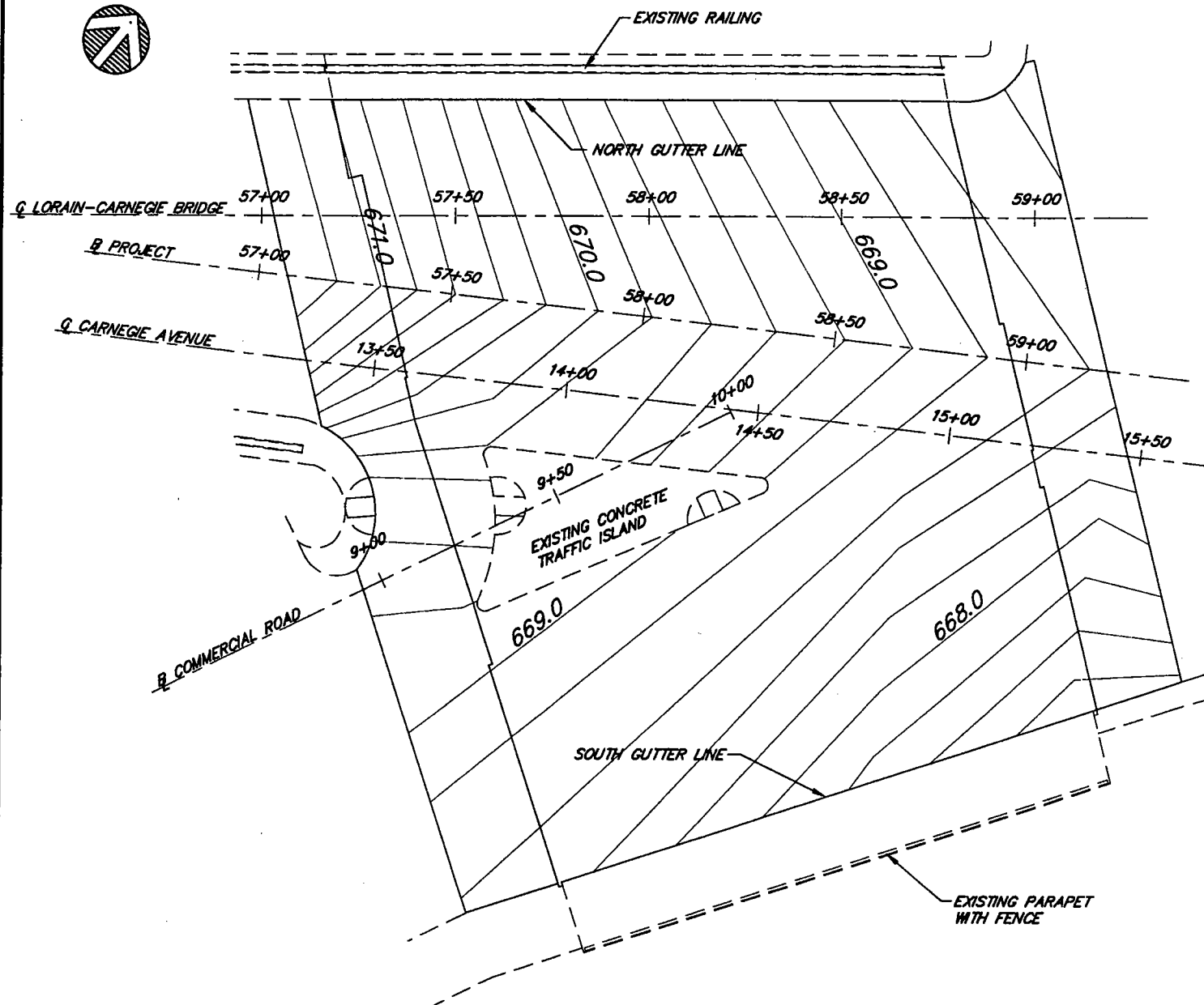
1. REMOVE ANGLES OVER SUBDRAIN TUBES. INCLUDE WITH ITEM 847 - WEARING COURSE REMOVED, ASPHALT, AS PER PLAN.
2. THOROUGHLY SANDBLAST OR WIREBRUSH CLEAN UPPER INSIDE OF EACH DRAIN PIPE TO 1" MINIMUM DEPTH.
3. DRIVE RUBBER STOPPER IN EACH DRAIN TUBE TO A MINIMUM DEPTH OF 1".
4. GROUT TUBE WITH GELTITE 42-14 EPOXY GROUT, SIKAGROUT 212, SIKAFLEX 1CSL OR AN EQUIVALENT TO A POINT LEVEL WITH THE DECK.



PROPOSED SUBDRAIN PLUGGING DETAIL
REINFORCEMENT NOT SHOWN FOR CLARITY

NOTES:

1. INCLUDE EXISTING L1 1/2 x 1 1/2 x 1/2 REMOVAL WITH ITEM 847 - WEARING COURSE REMOVED, ASPHALT, AS PER PLAN.
2. PAYMENT FOR PLUGGING ASPHALT SUBDRAINS SHALL BE MADE UNDER ITEM 518 - STRUCTURAL DRAINAGE, MISC.: PLUGGING ASPHALT SUBDRAINS.
3. SUBDRAIN PLUGGING ESTIMATE: 27-1 1/2" PLASTIC TUBES ALONG NORTH GUTTER LINE AND 25-1 1/2" PLASTIC TUBES ALONG SOUTH GUTTER LINE FOR BRIDGE No. 148.
4. FOR SECTION LOCATIONS SEE SHEET 21/24.
5. FOR CONCRETE TRAFFIC ISLAND DETAILS SEE SHEET 24/24.

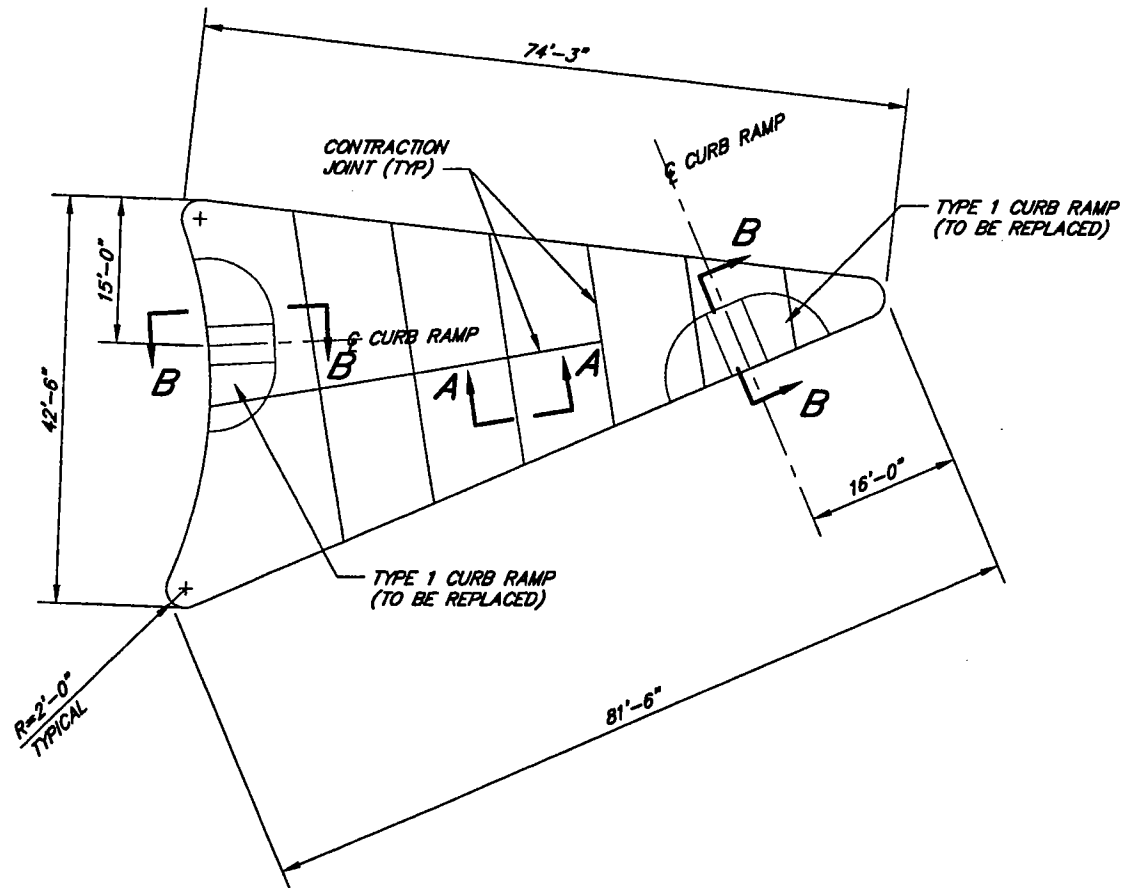


CONTOUR PLAN
 TOP OF M.S.M.C. OVERLAY ON BRIDGE AND
 ASPHALT WEARING COURSES ON APPROACH SLABS

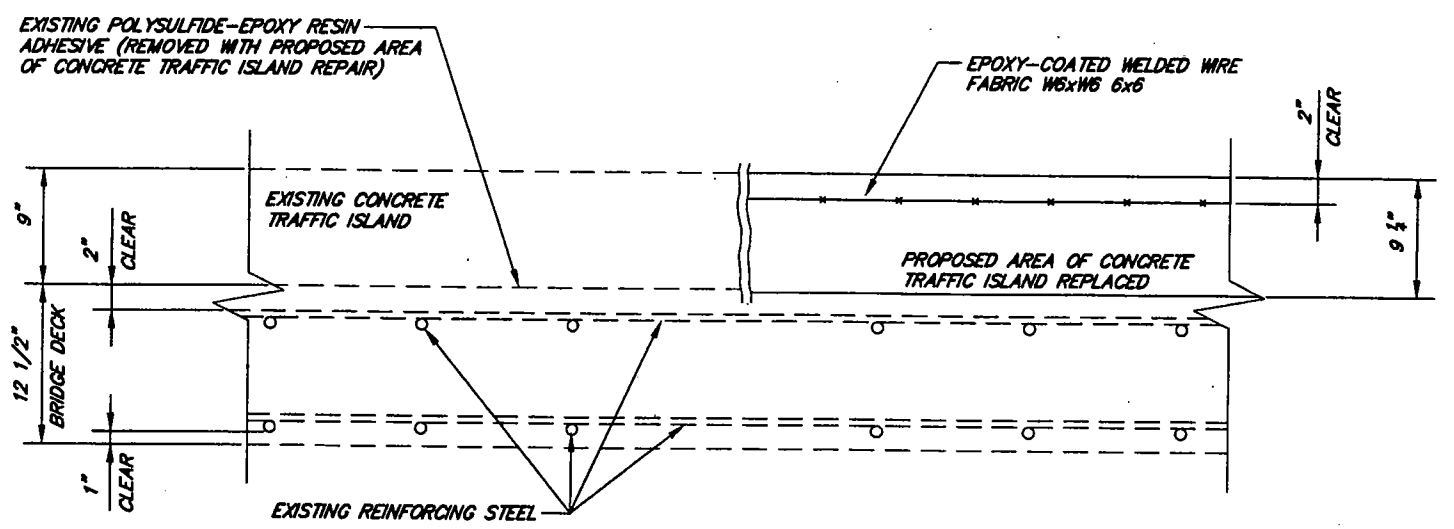
-20 0 20 40 60
 SCALE - FEET

DRAWING NAME: 1-234-9
 PLOTTING SCALE: 1-240
 PLOT DATE: 02/29/00

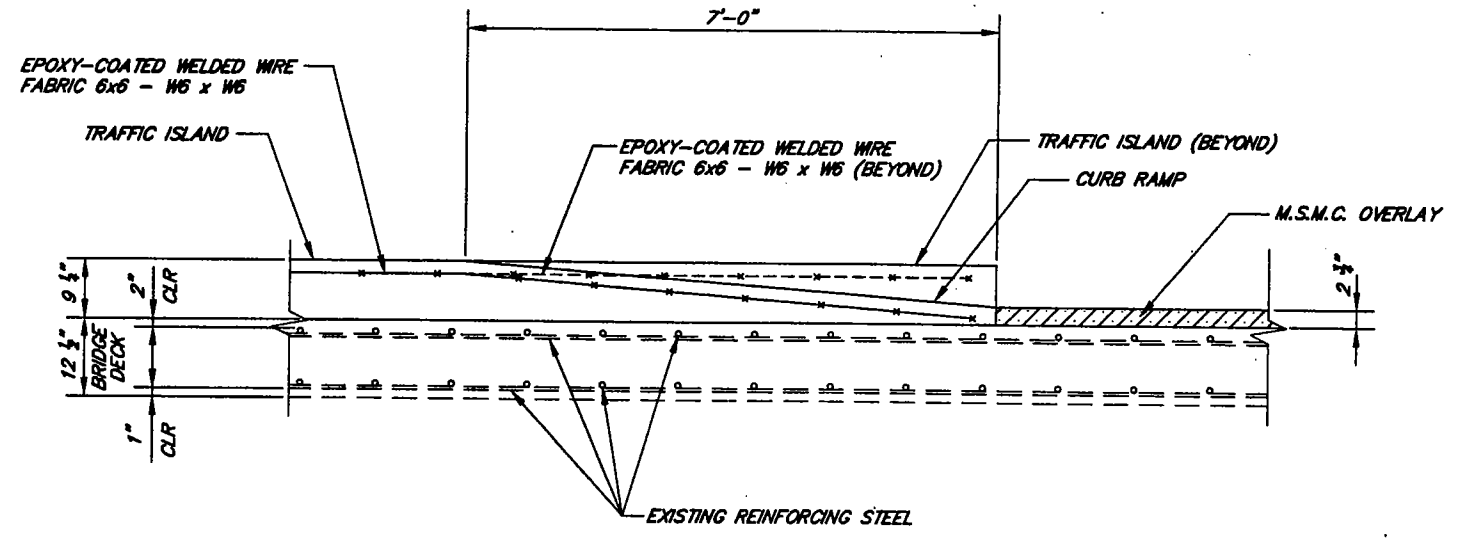
CUY-10-1685 4/5 23/24	CONTOUR PLAN LORAIN-CARNEGIE BRIDGE No. 148 OVER GORTA TRACKS	B-No. 23 Report No. 7249	DESIGNED LFK CHECKED BCF	DRAWN CPK	REVIEWED WJD DATE 2/29/00	STRUCTURE FILE No. 1801511	DESIGN AGENCY CUYAHOGA COUNTY ENGINEER BRIDGE DESIGN DEPARTMENT
-----------------------------	--	-----------------------------	-----------------------------------	--------------	------------------------------------	-------------------------------	---



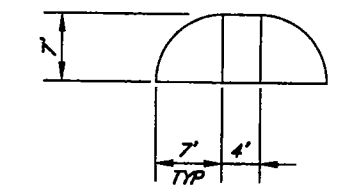
CONCRETE TRAFFIC ISLAND
AREA OF CONCRETE REMOVAL AND REPLACEMENT



SECTION A-A
CONCRETE TRAFFIC ISLAND DETAIL



SECTION B-B
CONCRETE TRAFFIC ISLAND DETAIL



CURB RAMP DETAIL
CONCRETE TRAFFIC ISLAND

- NOTES:**
1. EPOXY-COATED WELDED WIRE FABRIC SHALL BE INCLUDED IN ITEM 842 - CLASS S CONCRETE, MISC.: 9" REINFORCED CONCRETE TRAFFIC ISLAND FOR PAYMENT.
 2. SPACE CONTRACTION JOINTS AT 10'-0" MAXIMUM.

DRAWING NAME: #_24.DWG
PLOT DATE: 02/24/00
PLOT SCALE: 1:120

DESIGNED CLPK	CHECKED BGF	DRAWN CPK	REVISED WLD	DATE 7/29/00	STRUCTURE FILE NO. 1801481/1801511	DESIGN AGENCY CUYAHOGA COUNTY ENGINEER BRIDGE DESIGN DEPARTMENT
B-No. 23 Report No. 7249		CONCRETE TRAFFIC ISLAND DETAIL LORAIN-CARNEGIE BRIDGE No. 148 OVER GORTA TRACKS		CUY-10-1685		5/5
24						24