

MICROFILMED
JUN 8 1987

CUY-90-20.35-21.34

FED. ROAD DISTRICT	STATE	FEDERAL AID PROJECT	TYPE
2	OHIO	UI 329 (7)	POST WAR

1
217

STATE OF OHIO

DEPARTMENT OF HIGHWAYS

CUY-2-(19.51-20.53)

CUY-283-1.54

CUYAHOGA COUNTY

CITY OF CLEVELAND

VILLAGE OF BRATENAHL

NOTE:
U.I. 329(7)PART-2
U.I. 329(7)PART-3

CUYAHOGA COUNTY
CUY-2-(19.51-20.53)
CUY-283-1.54
FOR PART 4 SEE
CUY-283-(1.09-1.49)
b-106-542(7)

All Reference To PART 1 Appearing Elsewhere on These Plans Shall be Considered As PART 3.

The Standard Specifications of the State of Ohio Department of Highways including changes and supplemental Specifications listed in the proposal shall govern this improvement.

I hereby approve these plans and declare that the making of this improvement will not require the closing to traffic of the Highway except as noted on Sheet 11 and that provisions for the maintenance and safety of traffic will be as set forth in the plans and estimates.

The Right of Way necessary for this improvement will be provided by the State of Ohio.

Approved: *Louis L. Drasler*
Date: *7/26/50* Division Deputy Engineer

Approved: _____
Date: _____ Chief Engineer, Bureau of Maintenance

Approved: *Richard Smith*
Date: *7/27/50* Chief Engineer, Bureau of Bridges & R.R. Crossings

Approved: *W. H. ...*
Date: *7/27/50* Chief Engineer, Bureau of Location & Design

Approved: *F. ...*
Date: *7/27/50* First Ass't Director & Chief Engineer

Approved: *W. ...*
Date: *7/27/50* Director of Highways

Approved: *For the City of Cleveland*
Date: *7/27/50* Director of Public Service



CONSTRUCTION BUREAU
MAR 20 1956
GROUND PHOTOGRAPH

SHEETS 1&2 REVISED 12-19-50 - GWS

DEPARTMENT OF COMMERCE
BUREAU OF PUBLIC ROADS

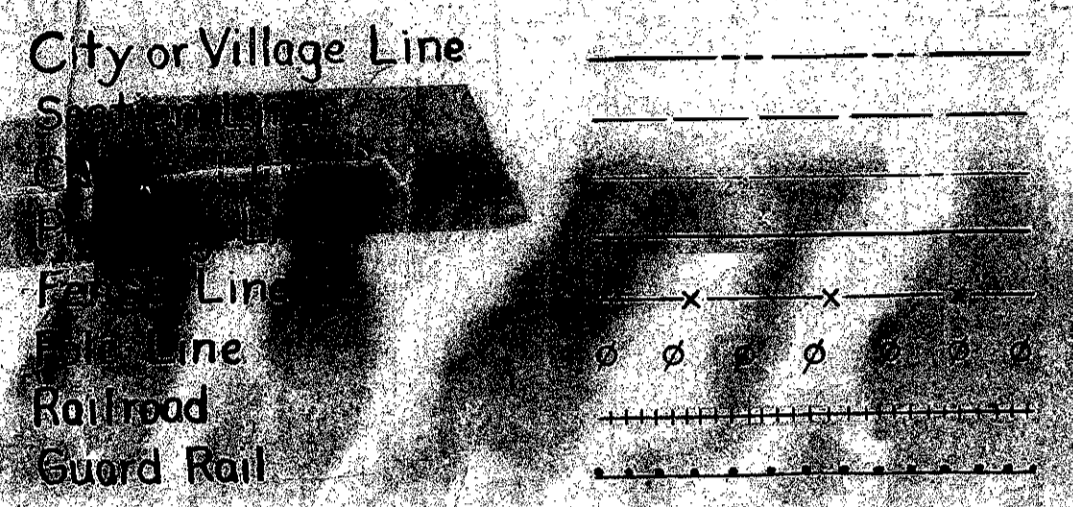
RECOMMENDED FOR APPROVAL

DISTRICT ENGINEER

APPROVED

DIVISION ENGINEER

CONVENTIONAL SIGNS



INDEX OF SHEETS

Title Sheet	Sheet No 1
Length of Work	2
Location Plan	3
Typical Sections	4-9
General Notes	10-11
Summary of Quantities	12-13
Pavement Calculations	14-15
General Summary	16
Plan & Profile Sheets-Monument Ref. (39)	17-41
Extra Area Details	42-56
Superelevation Table	45-57-58
Cross Sections	59-142

Drainage & Other Details 143-146
Bridge Plans & Culvert Plans * 147-217
* 167, 168, 172, 173, 177, 179, 202, 203



SCALES LOCATION PLAN LEGEND

Plan	1"=50'
Profile Vertical	1"=10' & 5"
Profile Horizontal	1"=50'
Cross Sections	1"=10'

Proposed Highway	(Symbol)
Other Highways	(Symbol)
Other Roads	(Symbol)
Detour Roads	(Symbol)

STANDARD DRAWING		SUPPLEMENTAL SPECIFICATIONS	
NO.	DATE	NO.	DATE
1	1950	1	1950
2	1950	2	1950
3	1950	3	1950
4	1950	4	1950
5	1950	5	1950
6	1950	6	1950
7	1950	7	1950
8	1950	8	1950
9	1950	9	1950
10	1950	10	1950

Note: For locations with lower rounded corners see sheets 10 and 11.

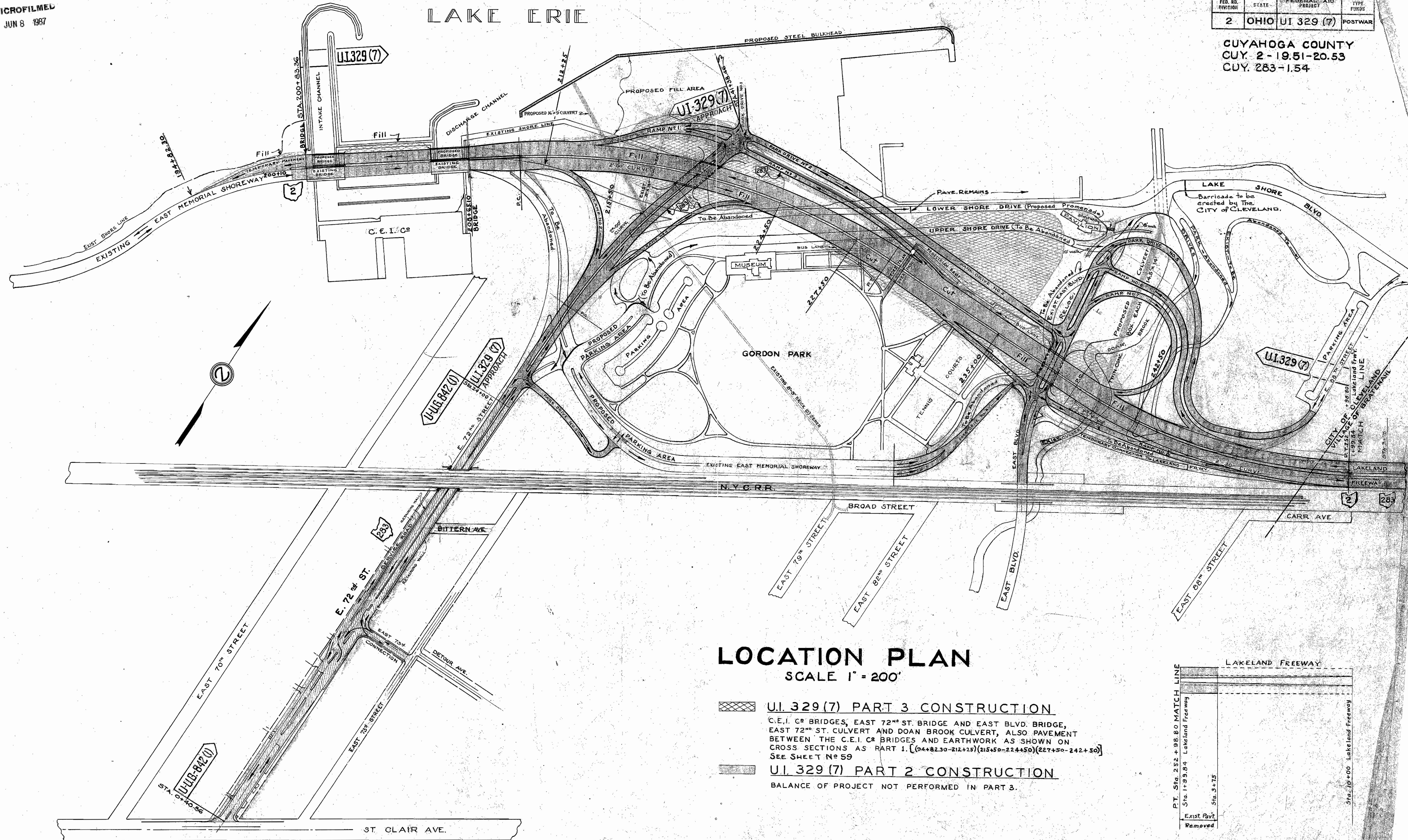
FILE NO. _____
DATE OF LETTING _____
CONTRACT NO. _____

MICROFILMED
JUN 8 1987

LAKE ERIE

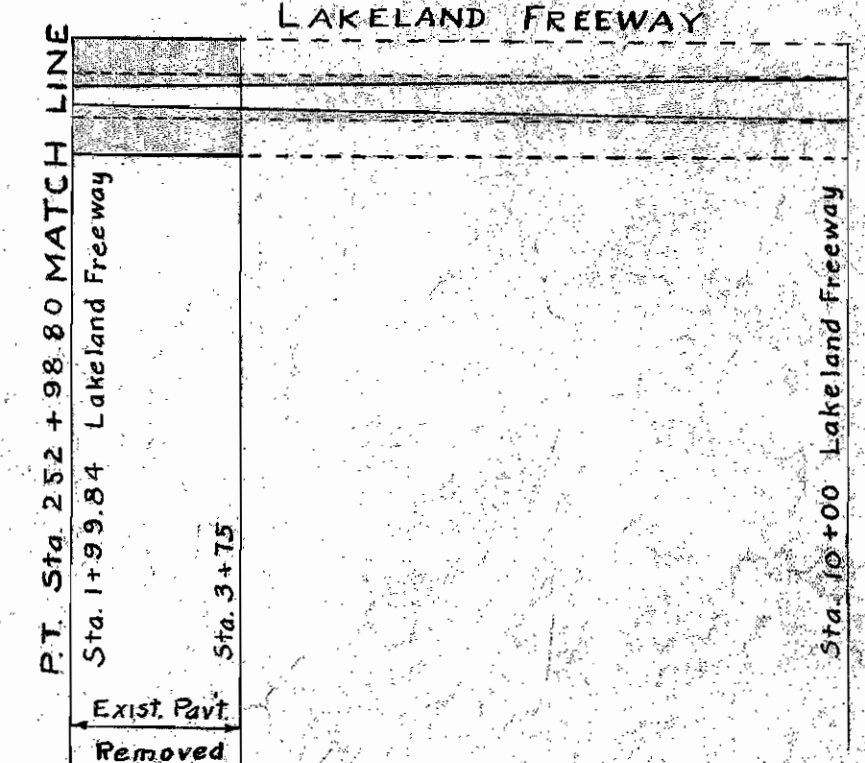
FED. RD. DIVISION	STATE	FEDERAL AID PROJECT	TYPE FUNDS
2	OHIO	UI 329 (7)	POSTWAR

CUYAHOGA COUNTY
CUY. 2-19.51-20.53
CUY. 283-1.54



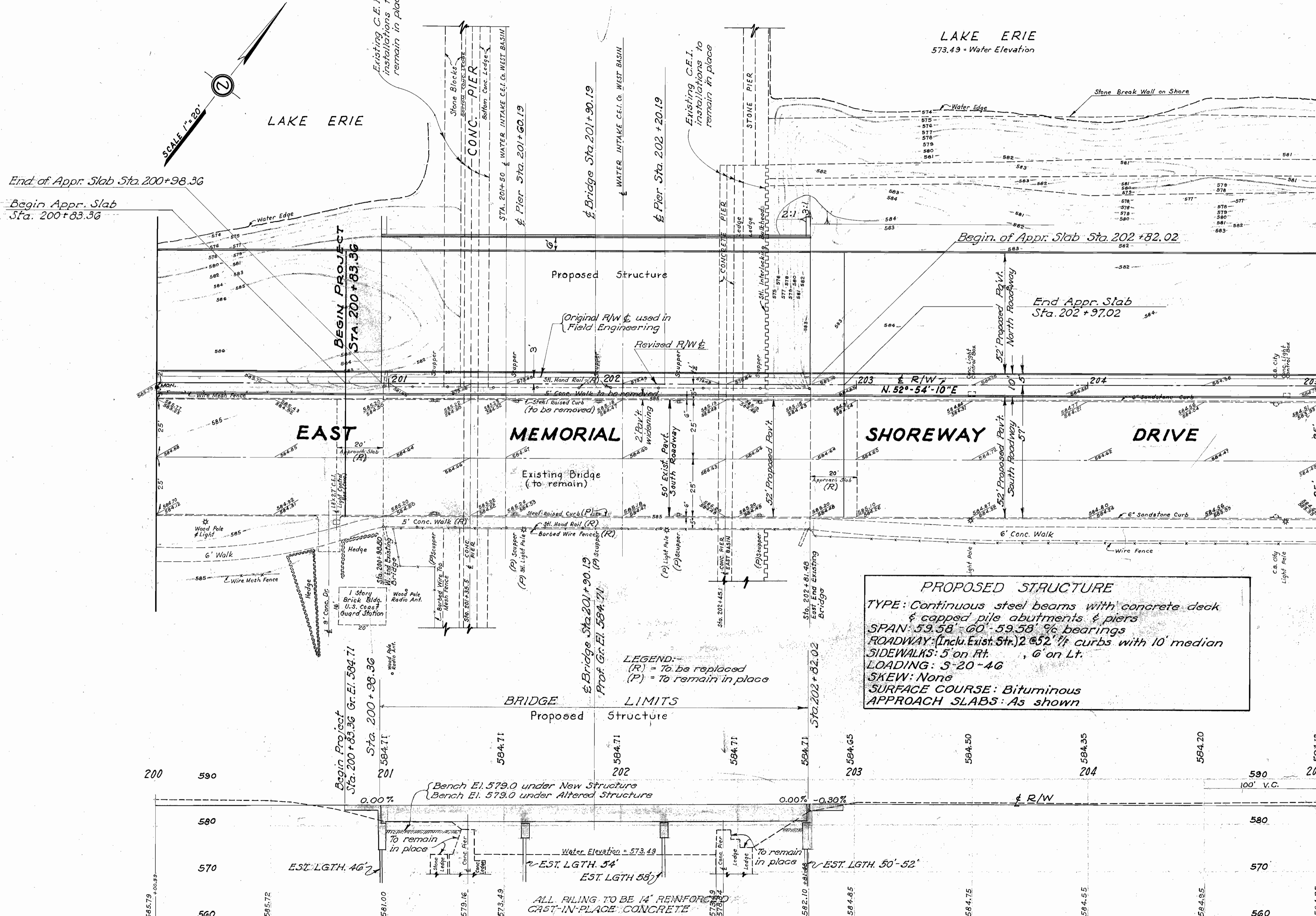
LOCATION PLAN SCALE 1" = 200'

- UI. 329 (7) PART 3 CONSTRUCTION**
 C.E.I. CO BRIDGES, EAST 72ND ST. BRIDGE AND EAST BLVD. BRIDGE, EAST 72ND ST. CULVERT AND DOAN BROOK CULVERT, ALSO PAVEMENT BETWEEN THE C.E.I. CO BRIDGES AND EARTHWORK AS SHOWN ON CROSS SECTIONS AS PART 1. [(94+82.30-212+25)(215+50-224+50)(227+50-242+50)]
 SEE SHEET NO 59
- UI. 329 (7) PART 2 CONSTRUCTION**
 BALANCE OF PROJECT NOT PERFORMED IN PART 3.



CUYAHOGA COUNTY
CUY - 2-(19.51- 20.53)
IN CLEVELAND
CUY-283-1.54

(To remain in place)
EXISTING BRIDGE DATA
TYPE: Cont. steel beams
SPANS: 3 @ 60' % Bgs
ABUTMENTS: Conc. and steel on steel "H" piles
PIERS: Steel caps on steel "H" piles
RD'WY: 50' between curbs
SIDEWALKS: 2 @ 5'-0"
LOADING: 5-20



PROPOSED STRUCTURE
TYPE: Continuous steel beams with concrete deck & capped pile abutments & piers
SPAN: 59.58' - 60' - 59.58' % bearings
ROADWAY: (Incl. Exist. Str.) 2 @ 52' ft curbs with 10' median
SIDEWALKS: 5' on Rt., 6' on Lt.
LOADING: 5-20-46
SKEW: None
SURFACE COURSE: Bituminous
APPROACH SLABS: As shown

LEGEND:
(R) = To be replaced
(P) = To remain in place

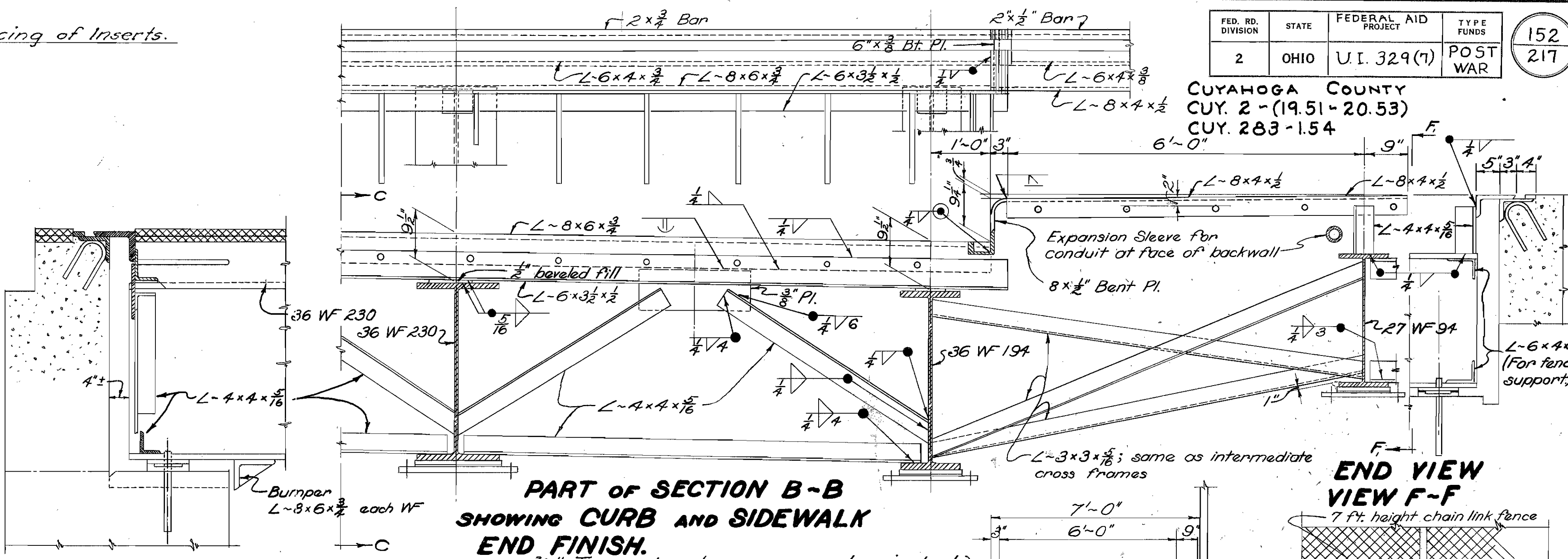
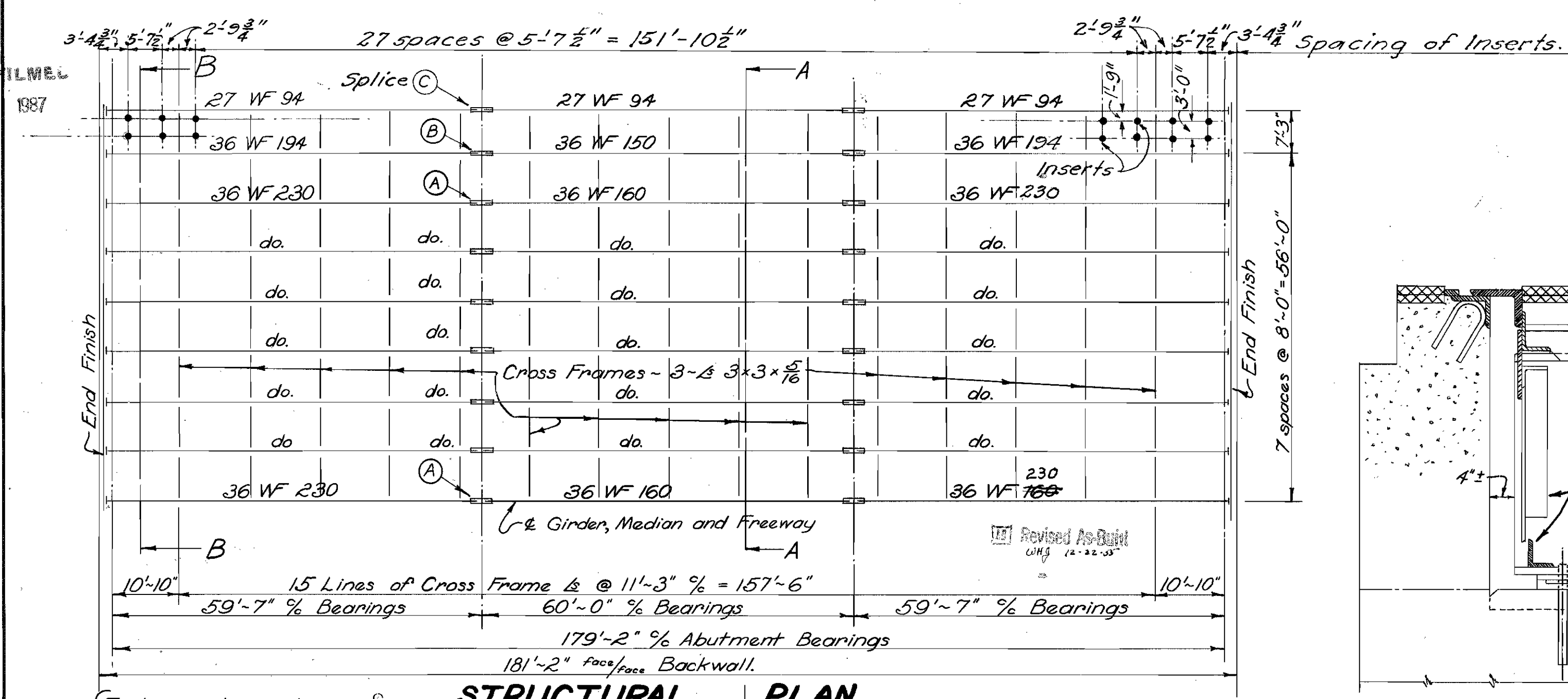
Foundation design and foundation quantities are based on a study of rod soundings and soil sampling soundings made at the site. This sounding information may be inspected in the office of the Bureau of Bridges in Columbus or in an abridged form in the Division Office, but the State assumes no responsibility for the accuracy thereof.

STATE OF OHIO DEPARTMENT OF HIGHWAYS BUREAU OF BRIDGES			
SITE PLAN			
Bridge No CU - 2-195			
SECTION CUY - 2-(19.51- 20.53)			
EAST MEMORIAL SHOREWAY OVER C.E.I. INTAKE CHANNEL STA. 201+90.19			
Scale 1" = 20'		CUYAHOGA COUNTY	
TOPOGRAPHY	PROPOSED WORK		
Survey	Drawn By	Design	Checked/Revised
			Date

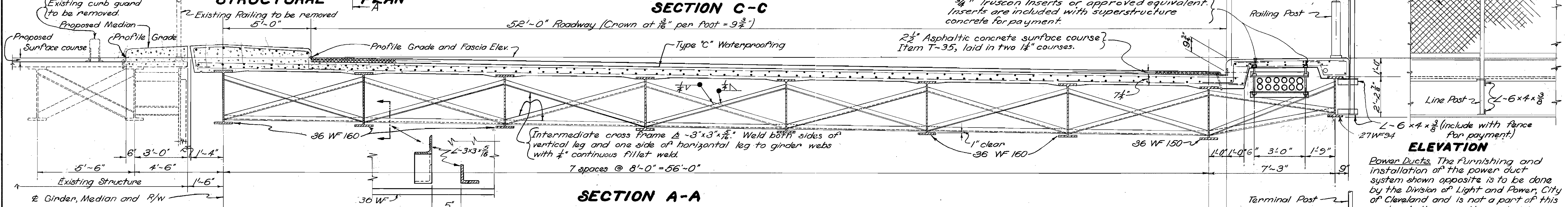
MICROFILMED
JUN 8 1987

FED. RD. DIVISION	STATE	FEDERAL AID PROJECT	TYPE FUNDS	152 217
2	OHIO	U.I. 329(7)	POST WAR	

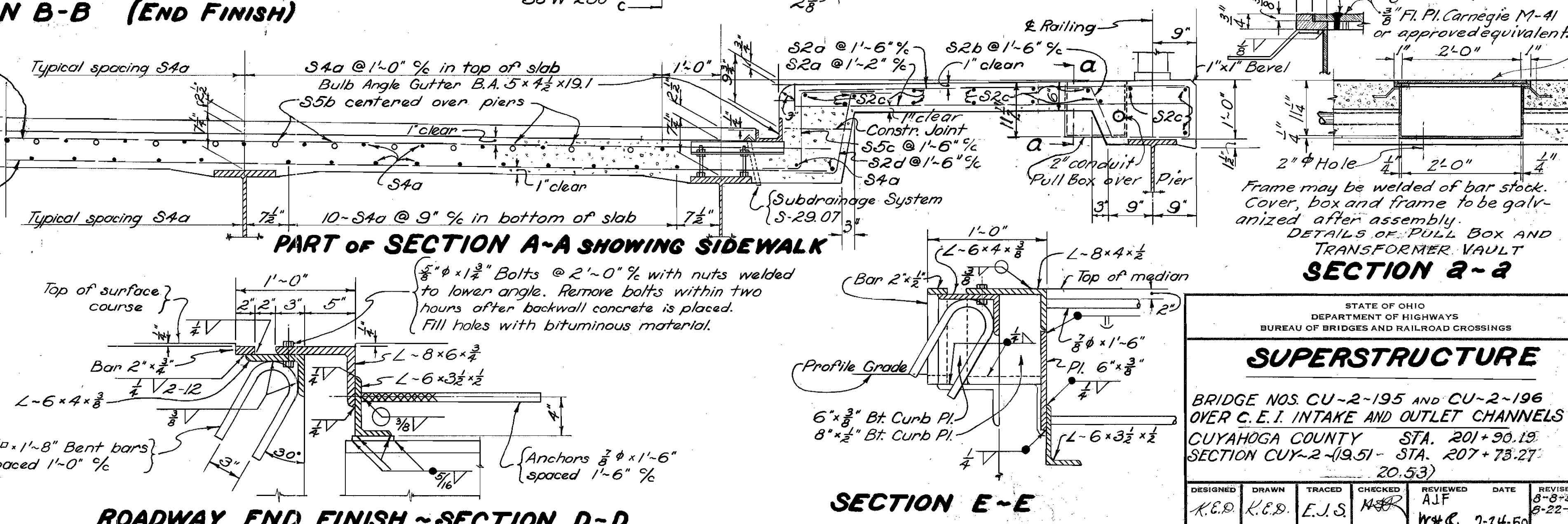
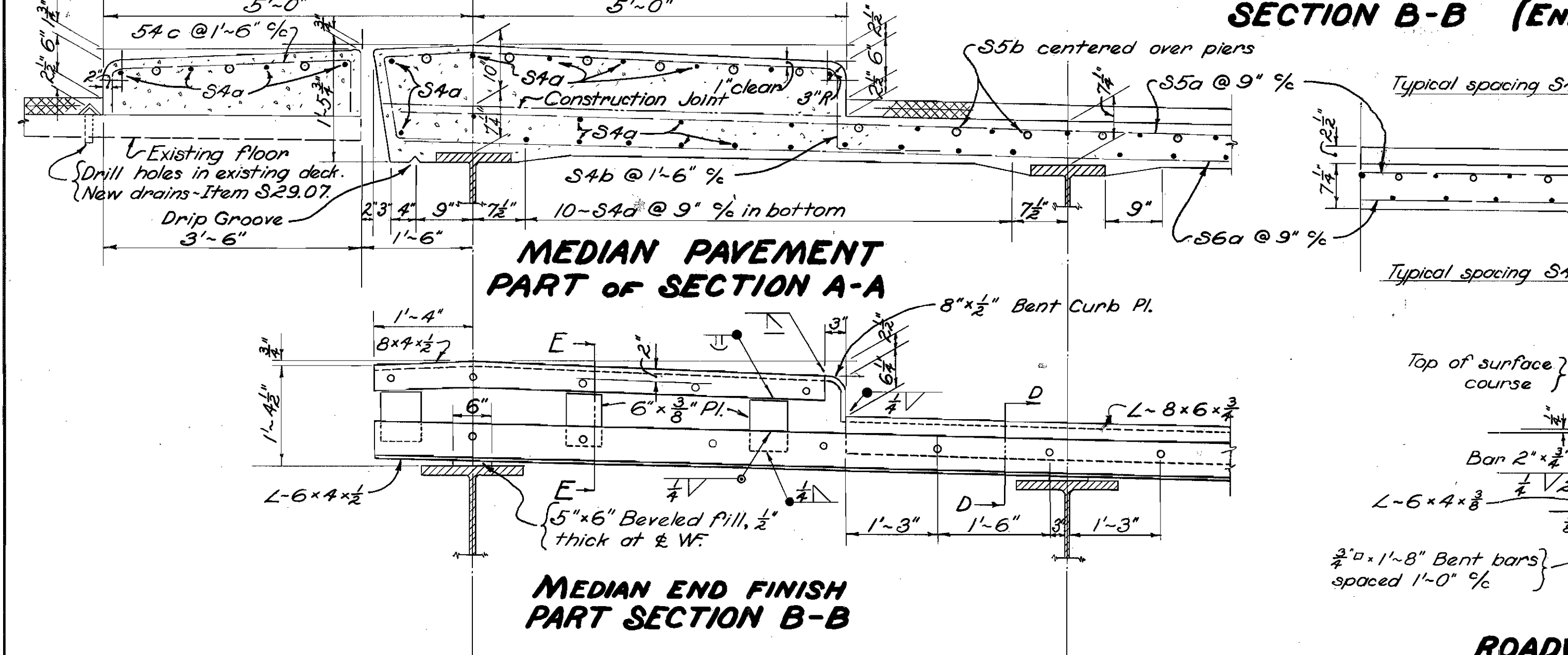
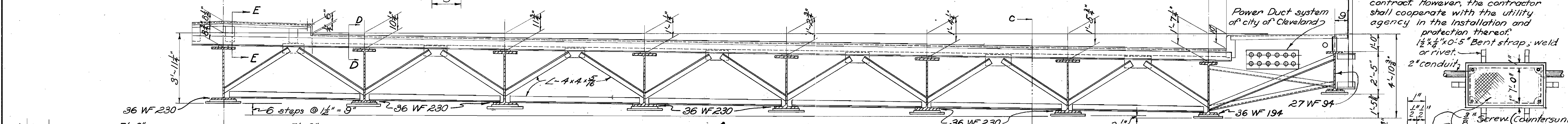
CUYAHOGA COUNTY
CUY. 2-(19.51-20.53)
CUY. 283-1.54



END VIEW
VIEW F-F
7 ft. height chain link fence



ELEVATION
Power Ducts. The furnishing and installation of the power duct system shown opposite is to be done by the Division of Light and Power, City of Cleveland and is not a part of this contract. However, the contractor shall cooperate with the utility agency in the installation and protection thereof.
1 1/2" x 4" x 5" Bent strap; weld or rivet.
2" conduit.
3/8" Fl. Pl. Carnegie M-41 or approved equivalent.
1" x 2" Hole.
2" x 2" Hole.
Frame may be welded of bar stock. Cover, box and frame to be galvanized after assembly.
DETAILS OF PULL BOX AND TRANSFORMER VAULT



STATE OF OHIO DEPARTMENT OF HIGHWAYS BUREAU OF BRIDGES AND RAILROAD CROSSINGS						
SUPERSTRUCTURE						
BRIDGE NOS CU-2-195 AND CU-2-196 OVER C. E. I. INTAKE AND OUTLET CHANNELS CUYAHOGA COUNTY STA. 201+30.13 SECTION CUY-2-(19.51- STA. 207+73.27- 20.53)						
DESIGNED	DRAWN	TRACED	CHECKED	REVIEWED	DATE	REVISED
K.E.D.	K.E.D.	E.J.S.	M.S.R.	A.J.F.	7-14-50	6-22-50