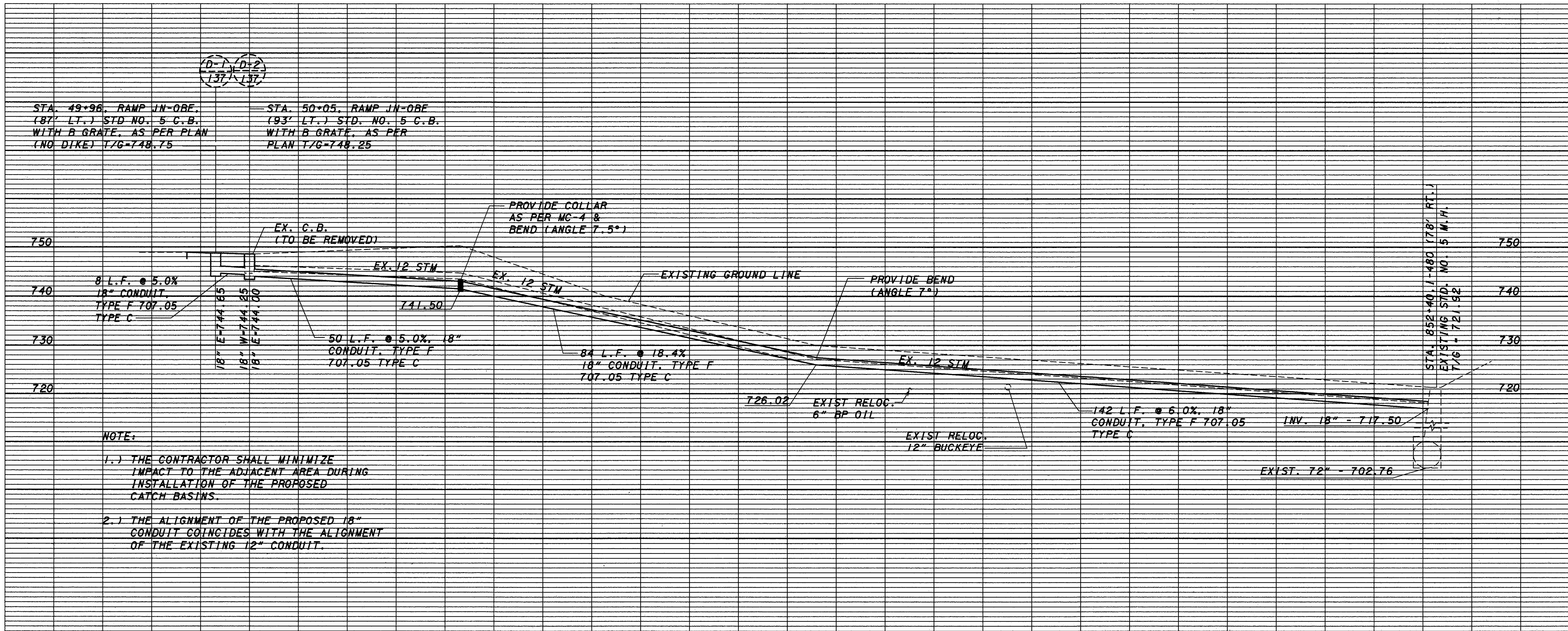
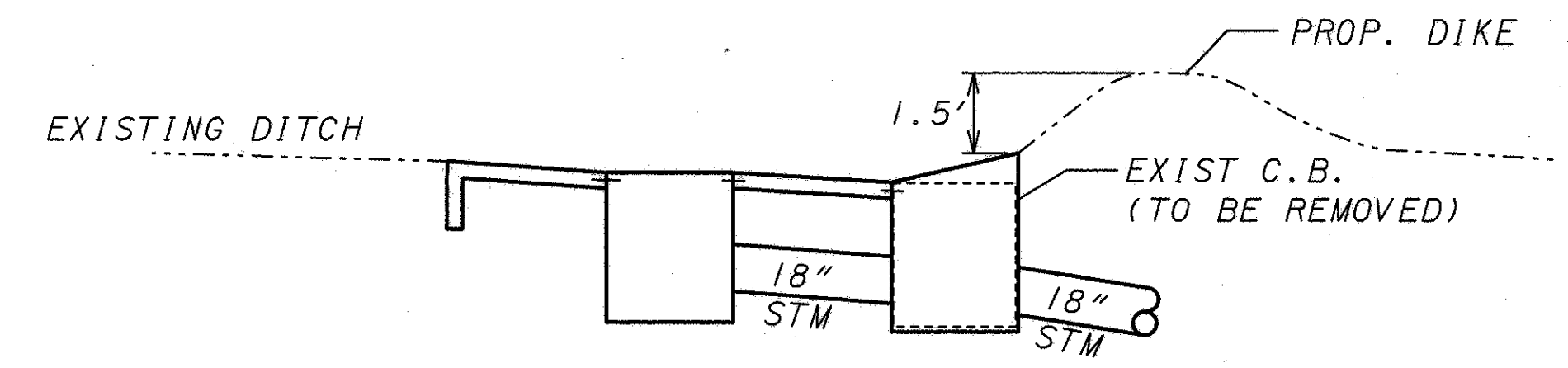
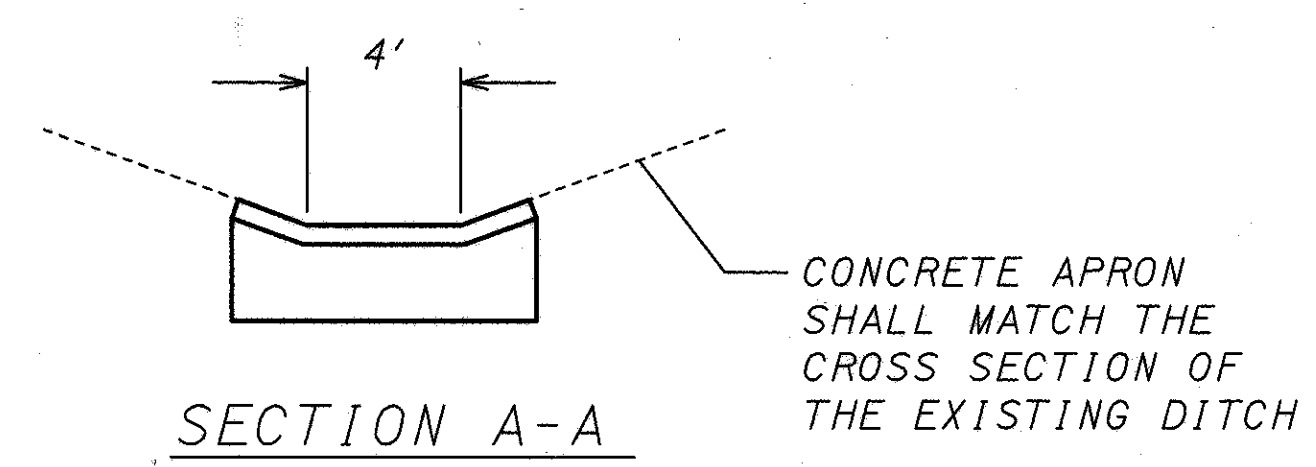


PLAN VIEW  
 SOUTHWEST CORNER  
 OF BR CUY-480-1565  
 (CONRAIL BRIDGE)



PLOTTED BY: lennon  
 PLOTTED FROM: /usr/odot/pid08448/08448gxa.dg  
 PLOT SUBMITTED: 06-MAY-1994 13:50  
 08448GXA.DGN