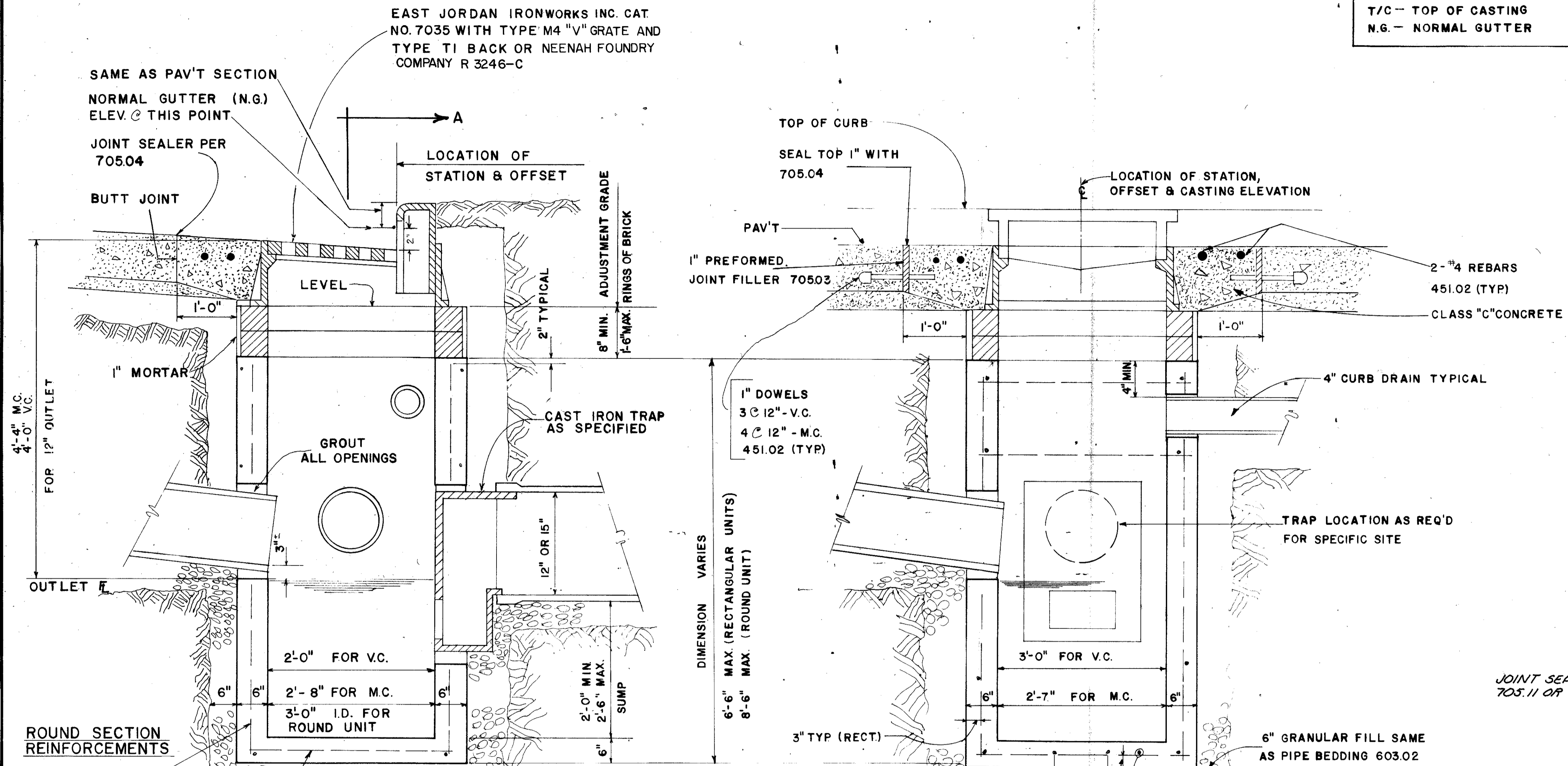


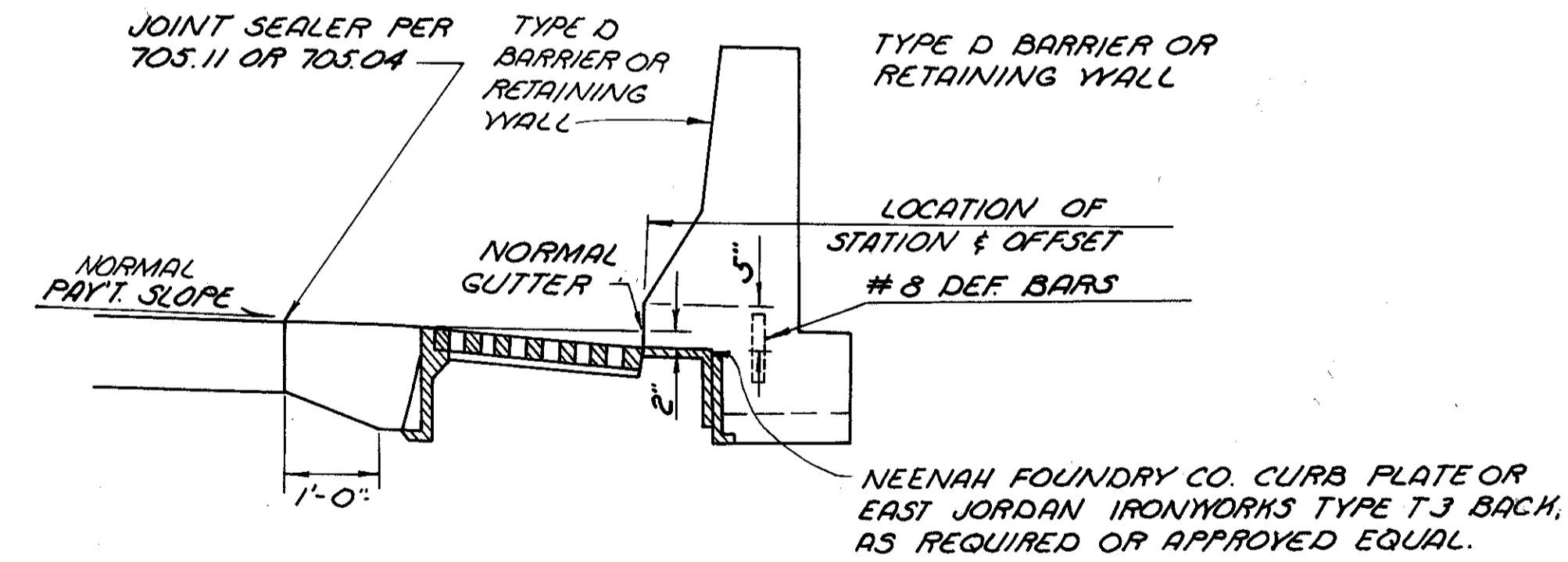
No.1 CATCH BASIN

LEGEND	
V.C.	VERTICAL CURB
M.C.	MOUNTABLE CURB
T/C	TOP OF CASTING
N.G.	NORMAL GUTTER



ALTERNATE BASIN SHAPE
A ROUND PRECAST CONCRETE UNIT MAY BE USED IN LIEU OF RECTANGULAR UNIT. THE ROUND SECTION SHALL BE A 36" I.D. UNIT WITH INTEGRAL BASE AND PRECAST TOP TRANSITION (ROUND TO RECTANGULAR) SECTION TO FIT CASTING BEING USED. TRANSITION UNIT REQUIRES A#5 REBAR AT CORNERS OF RECTANGULAR SHAPED SECTION AND 3x8 W6xW5 WELDED WIRE FABRIC IN VERTICAL SECTION.

- NOTES**
- ALL REINFORCING SHALL BE 709#4 DEFORMED BARS AND SUFFICIENT TO PERMIT SHIPPING AND PLACEMENT WITHOUT DAMAGE FOR RECTANGULAR SHAPE.
 - CONCRETE SHALL BE ODOT 499 CLASS "C" 4000 PSI IN 28 DAYS.
 - BOX-OUT PAID FOR AS PAV'T IN PORTLAND CONCRETE (PCC) PAV'T AND AS PART OF THE CATCH BASIN IN ASPHALTIC CONCRETE PAV'T (ACP)-NO DEDUCTION IN PAV'T OR CURB QUANTITY BECAUSE OF CASTINGS. FOR FULL WIDTH ACP CONSTRUCT A PCC APRON THE SIZE OF THE BOX-OUT - DELETE DOWELS WHEN USED WITH A PCC CURB AND GUTTER MAINTAIN GUTTER WIDTH.



AT TYPE D CONCRETE BARRIER

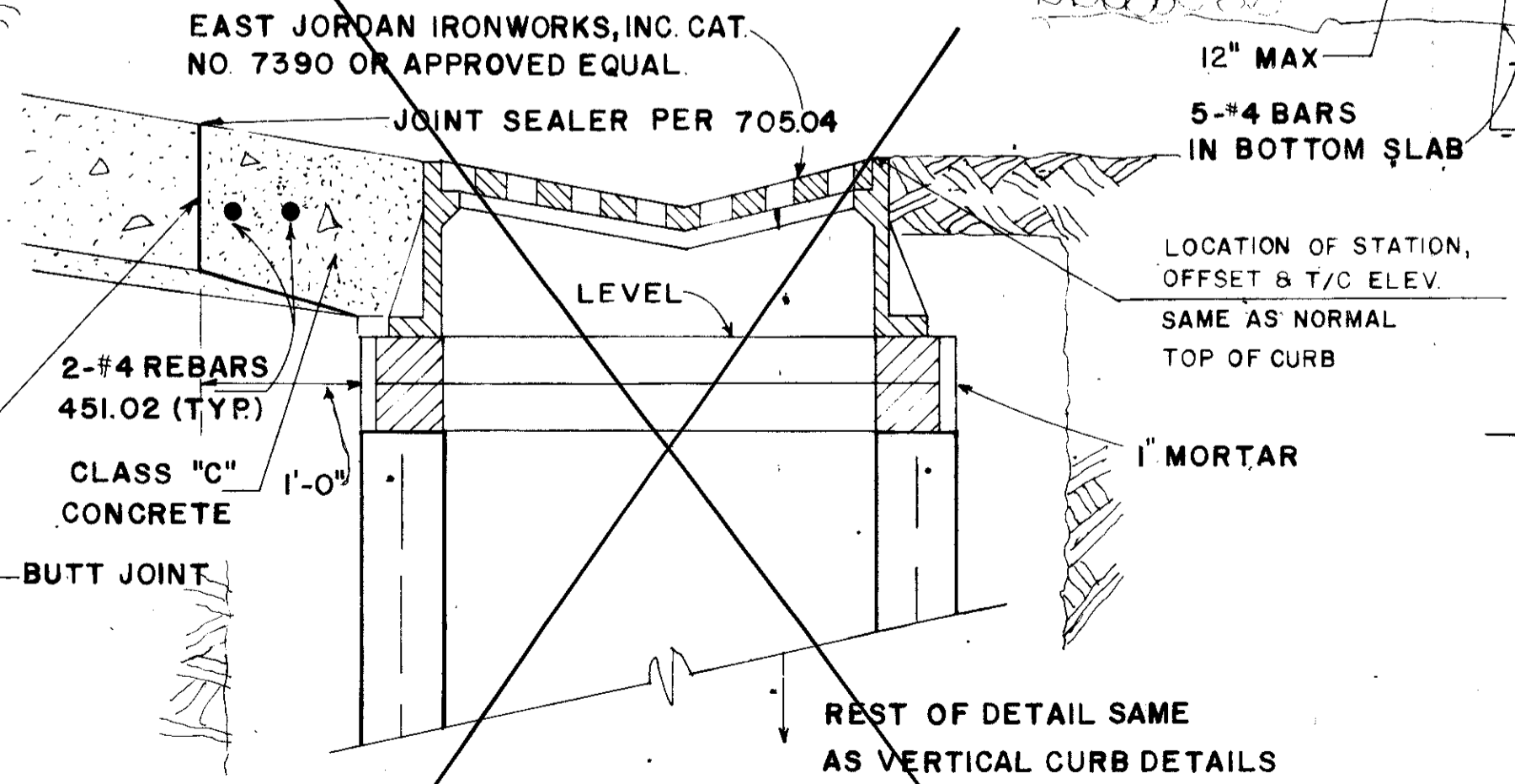
VERTICAL CURB
No.1-VC-CB

SECTION A-A

MOUNTABLE CURB
No.1-MC-CB

ALTERNATE
IF APPROVED BY THE ENGINEER 8" THICK MASONRY WALLS MAY BE USED IN LIEU OF PRECAST UNITS.

TRAP
EAST JORDAN IRONWORKS, INC. CAT. NO. 5964-12 OR 15, NEENAH FOUNDRY CO. CAT. NO. R-3707-12 OR 15 OR APPROVED EQUAL.



CITY OF CLEVELAND
ENGINEERING DIVISION
ANTHONY A. DIPIETRO-DIRECTOR OF PUBLIC SERVICE

RECTANGULAR PRECAST CONCRETE No.1 CATCH BASIN
NO SCALE

DRAWN BY: *[Signature]* DATE: 6-7-90
SUBMITTED BY: _____ DATE: _____
ENG. OF DESIGN
APPROVED: _____ DATE: _____
COMM. OF ENG.

REVISIONS	DATE

RELOC. SR-176