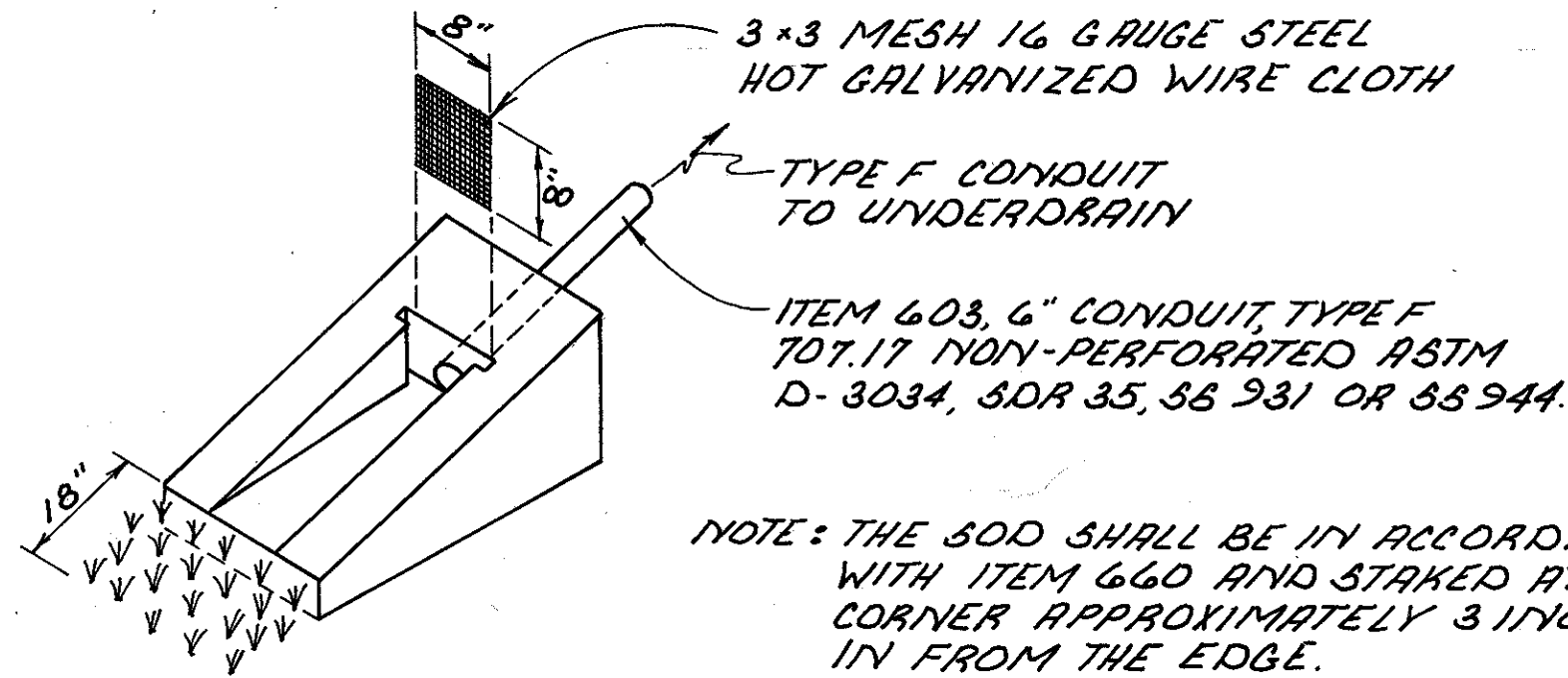
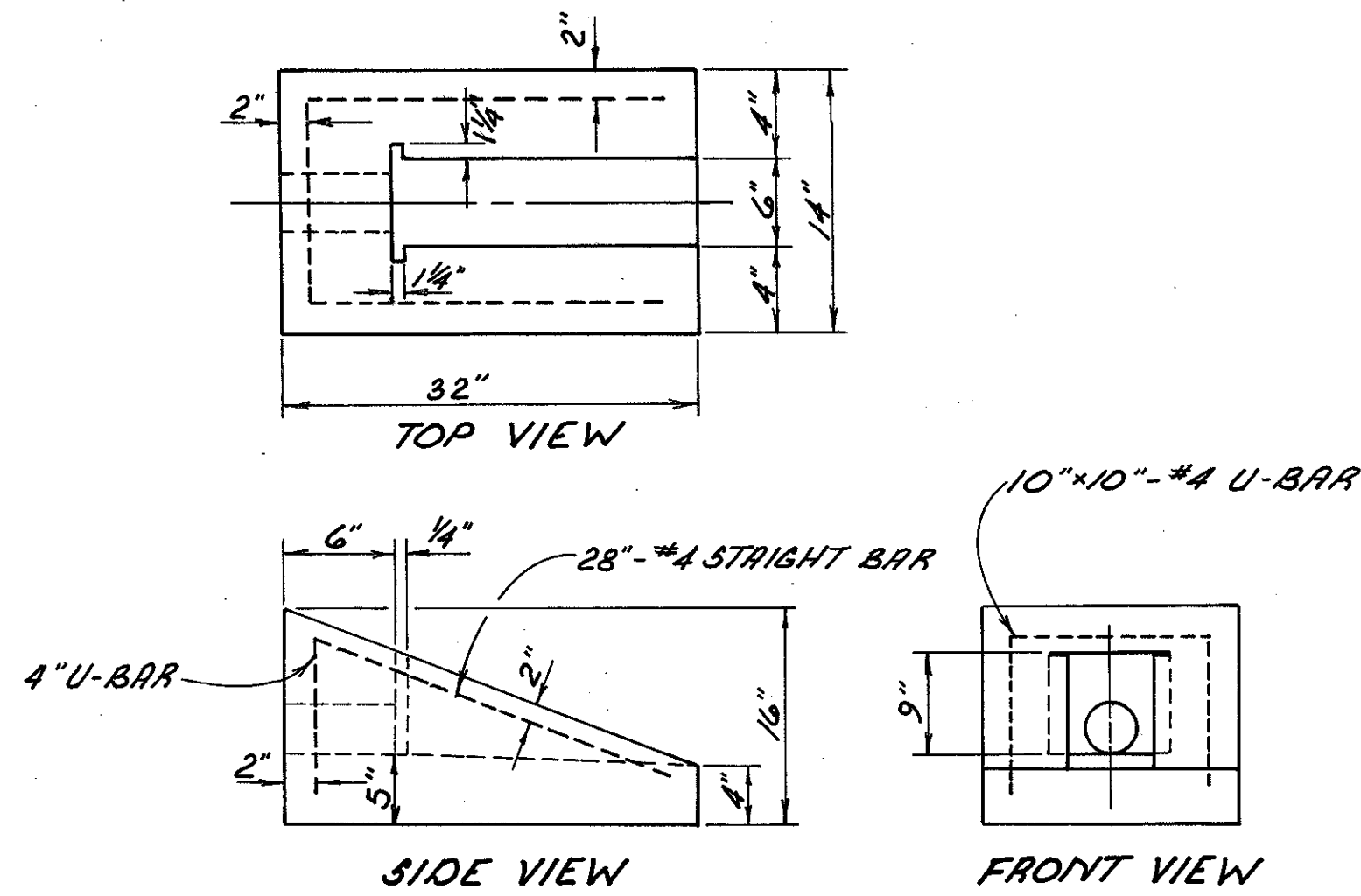


PRECAST REINFORCED CONCRETE OUTLET

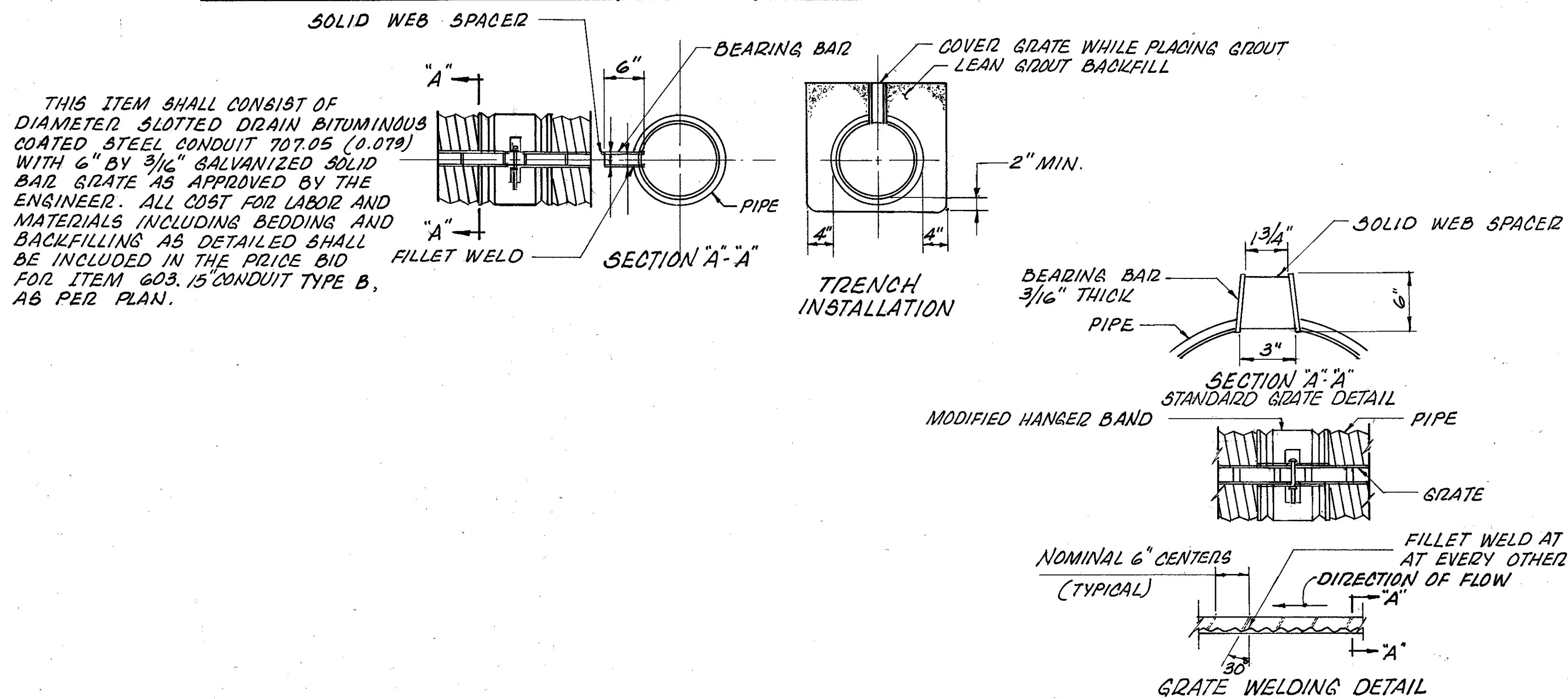
THE CONCRETE OUTLET SHALL MEET THE REQUIREMENTS OF ITEM 604 IN THE CONSTRUCTION & MATERIALS SPECIFICATIONS. PAYMENT SHALL BE MADE ON AN EACH BASIS. PAYMENT SHALL INCLUDE THE COST OF THE SOD & WIRE CLOTH.



NOTE: THE SOD SHALL BE IN ACCORDANCE WITH ITEM 660 AND STAKED AT EACH CORNER APPROXIMATELY 3 INCHES IN FROM THE EDGE.

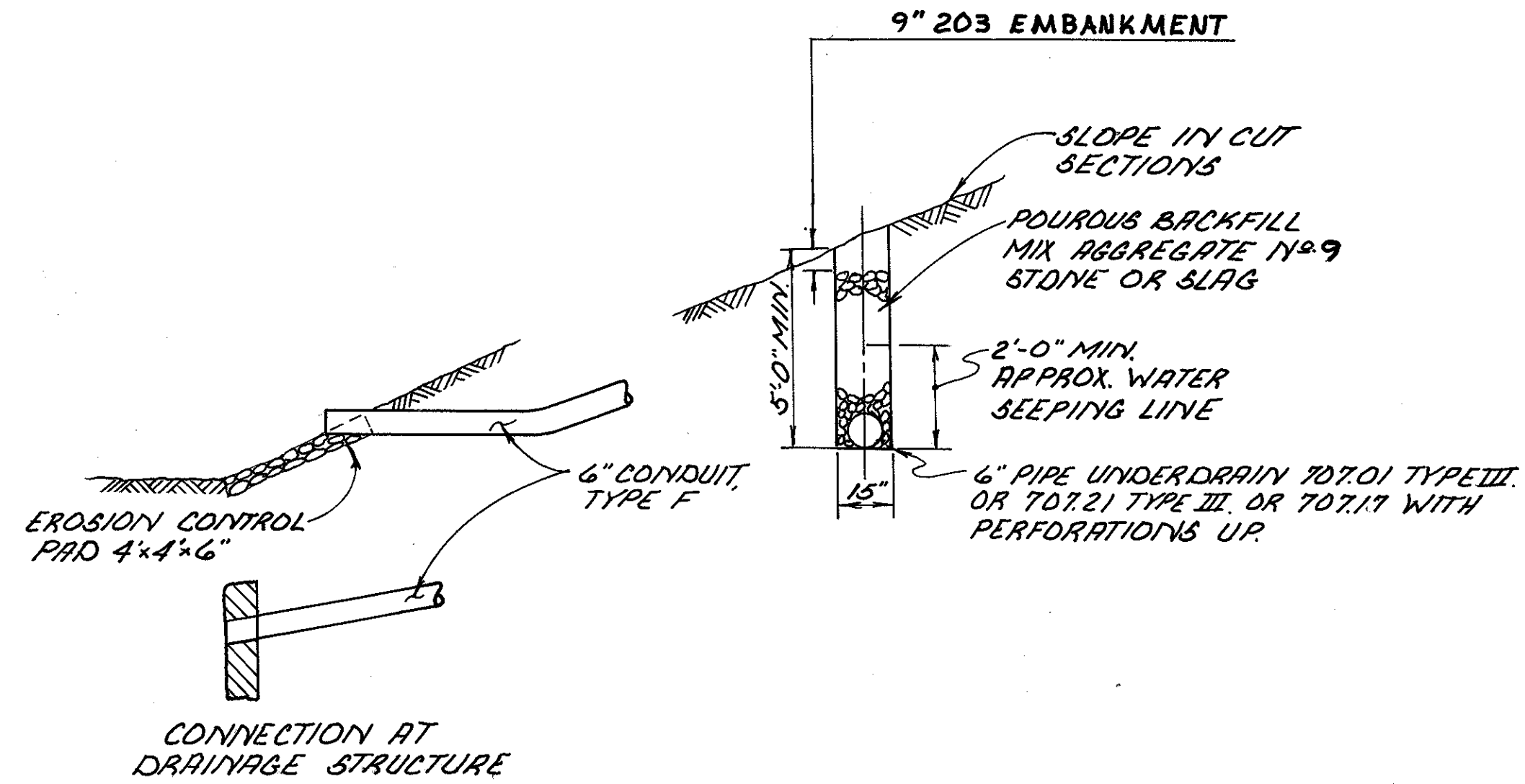
ALL REQUIRED REINFORCING STEEL AS LISTED ON THE STANDARD CONSTRUCTION DRAWINGS SHALL BE EPOXY COATED IN ACCORDANCE WITH 709.00 OR 709.14 AND PLACED AS PER 509.10. ALL COSTS OF THIS TREATMENT SHALL BE INCLUDED IN THE COST OF THIS ITEM.

ITEM 603 15" CONDUIT, TYPE B, AS PER PLAN



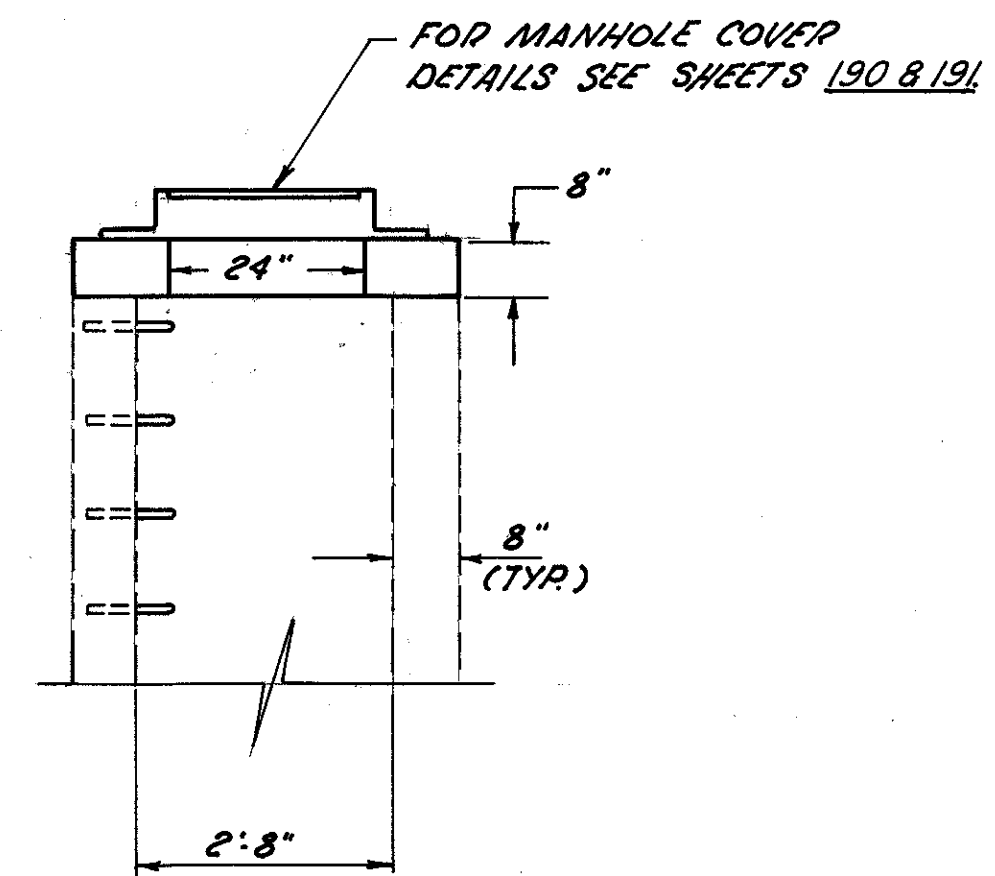
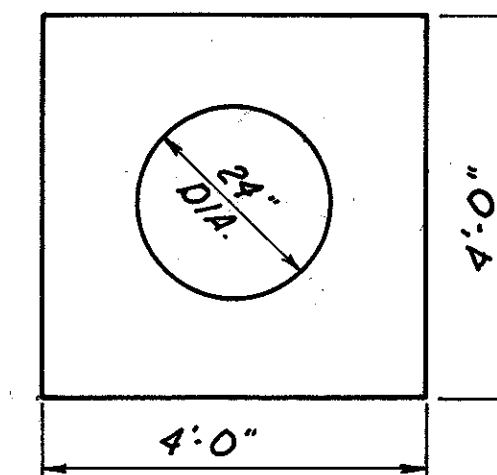
THIS ITEM SHALL CONSIST OF DIAMETER SLOTTED DRAIN BITUMINOUS COATED STEEL CONDUIT 707.05 (0.079) WITH 6" BY 3/16" GALVANIZED SOLID BAR GRATE AS APPROVED BY THE ENGINEER. ALL COST FOR LABOR AND MATERIALS INCLUDING BEDDING AND BACKFILLING AS DETAILED SHALL BE INCLUDED IN THE PRICE BID FOR ITEM 603.15 CONDUIT TYPE B, AS PER PLAN.

DETAIL FOR INTERCEPTING DRAIN



NOTES:

- SEE GENERAL NOTE SHEET 12.
- OUTLET INTERCEPTING DRAINS EITHER INTO DITCH DRAINAGE STRUCTURE OR OR ONTO AN EROSION CONTROL PAD AT ROADWAY DITCH LINE.
- SEEPAGE MAY NOT BE APPARENT AT THE TIME OF SLOPE EXCAVATION & THE CONTRACTOR MAY BE REQUIRED TO INSTALL THE DRAINS AFTER THE SLOPE EXCAVATION.
- WHERE FINE SOILS ARE ENCOUNTERED THE PIPE TRENCH SHALL BE LINED WITH 702.03 FILTER FABRIC TYPE H, AS DIRECTED BY THE ENGINEER.



CATCH BASIN RECONSTRUCTED TO GRADE, AS PER PLAN

SCALE: 1/2" = 1'-0"