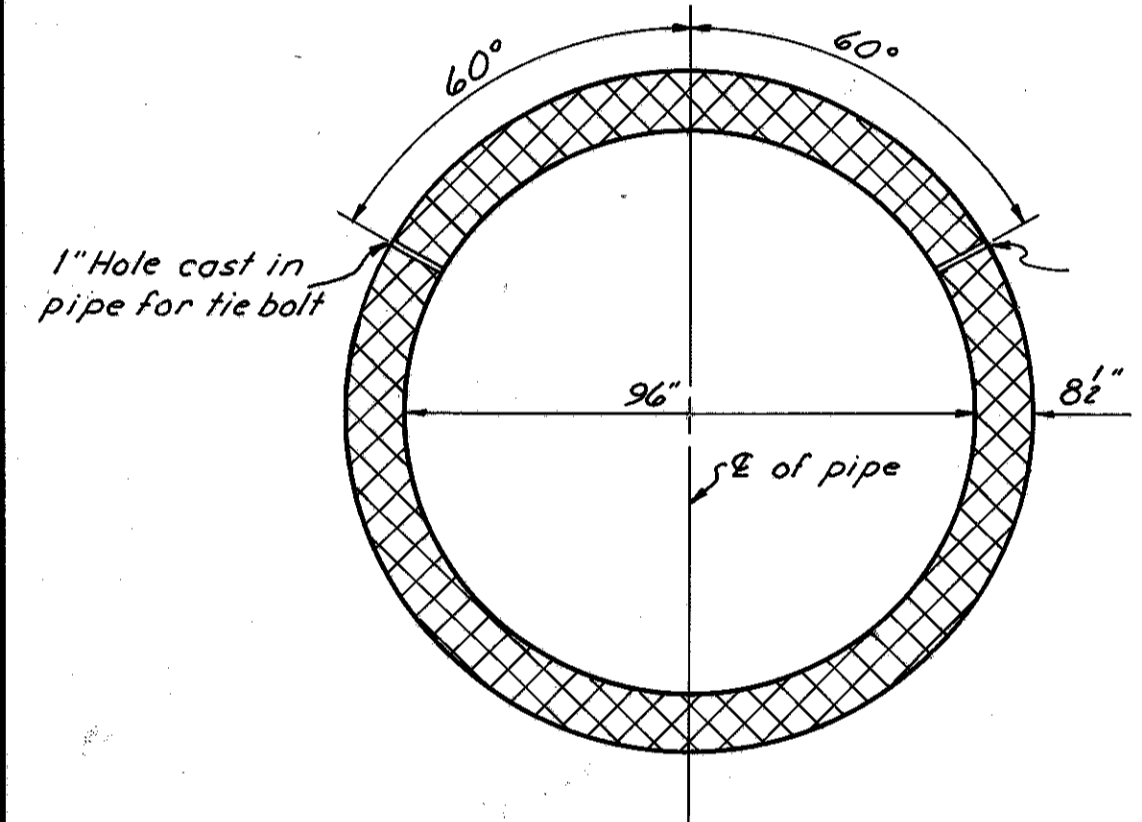


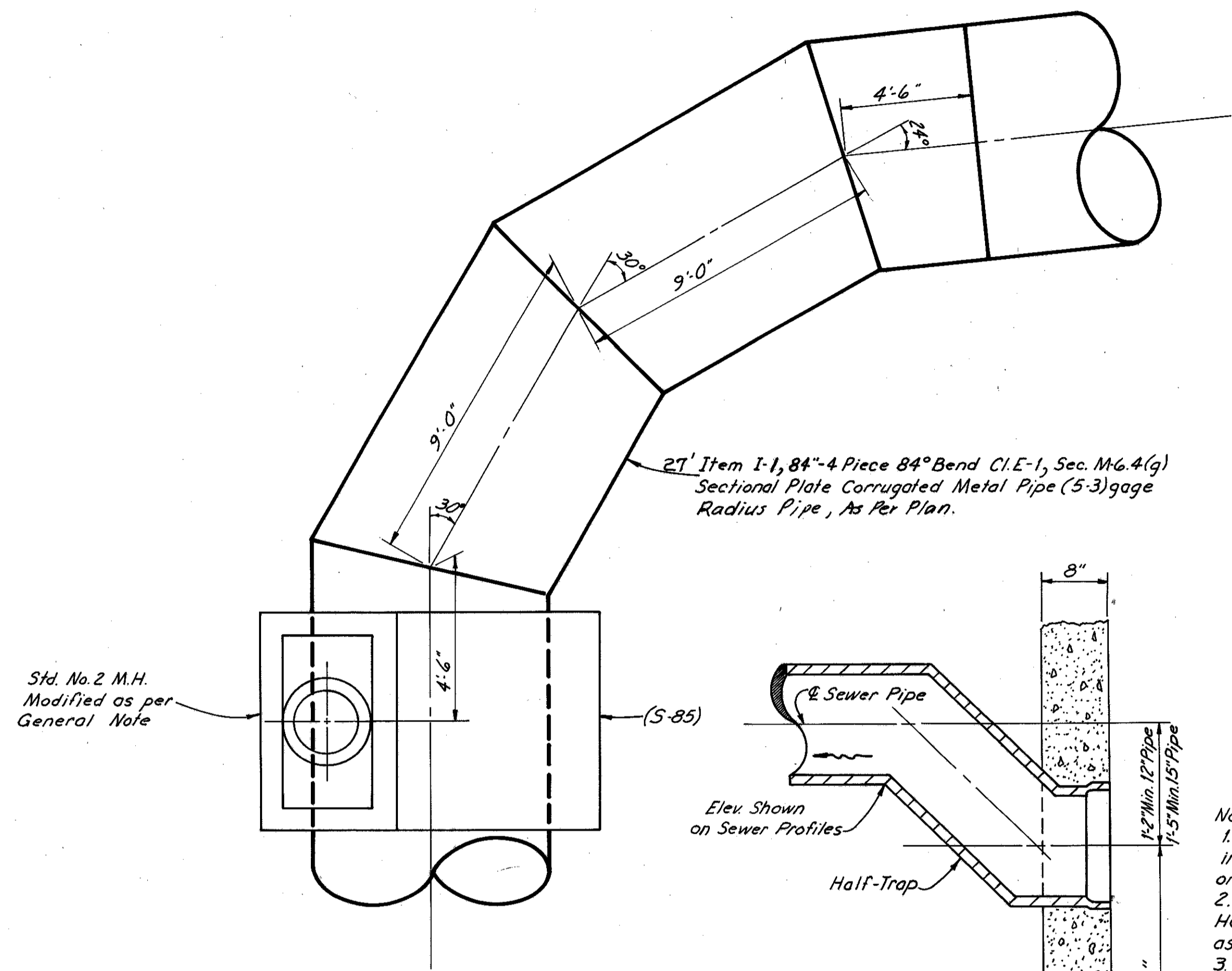
EGG SHAPE SEWERS				
NO.	H FEET	W FEET	S FEET	AREA SQ. FT.
2	2.25	1.94	1.28	3.41
6	4.23	3.34	2.23	10.90
11	6.33	4.99	3.35	24.46

TYPES OF EGG SHAPED SEWERS
"C"-(2) RINGS OF BRICK ALL AROUND
"E"-(3) RINGS OF BRICK ALL AROUND

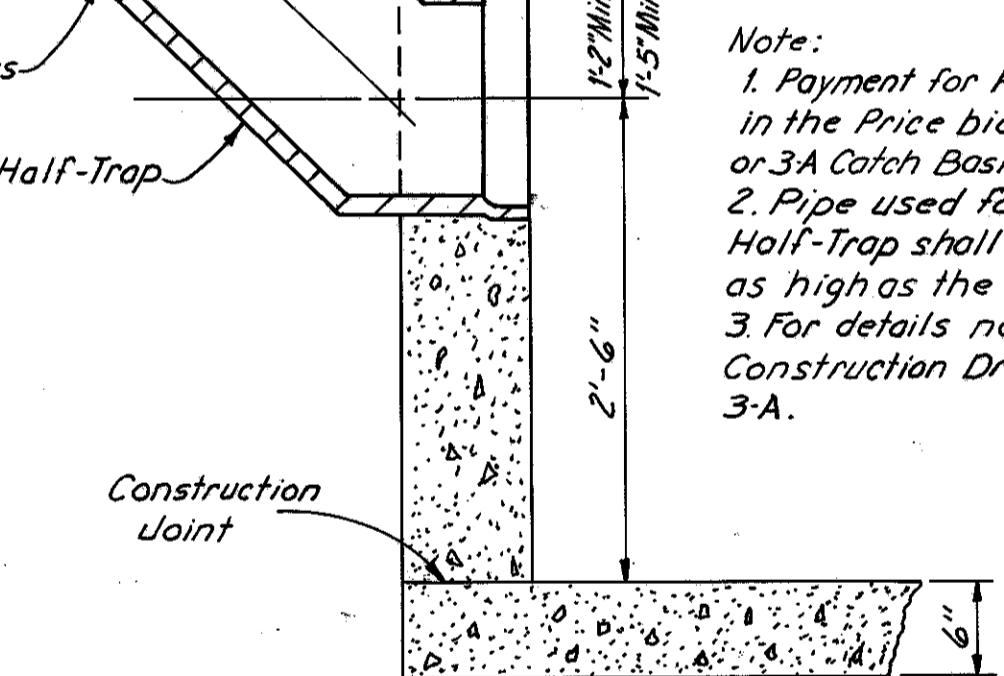
EXISTING CITY SEWER SIZES



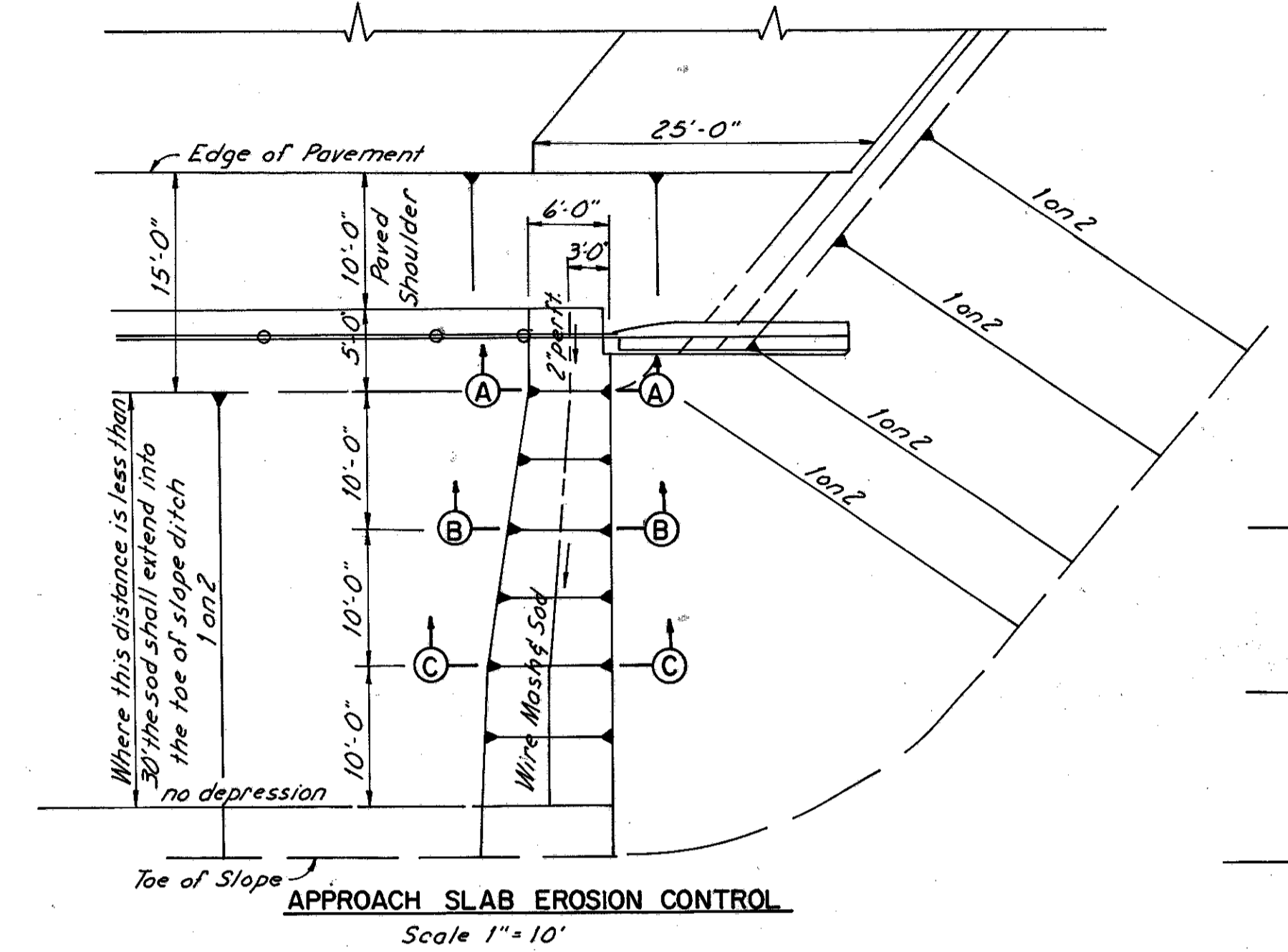
SECTION THRU PIPE AT TIE BOLT INSTALLATION
Not to Scale



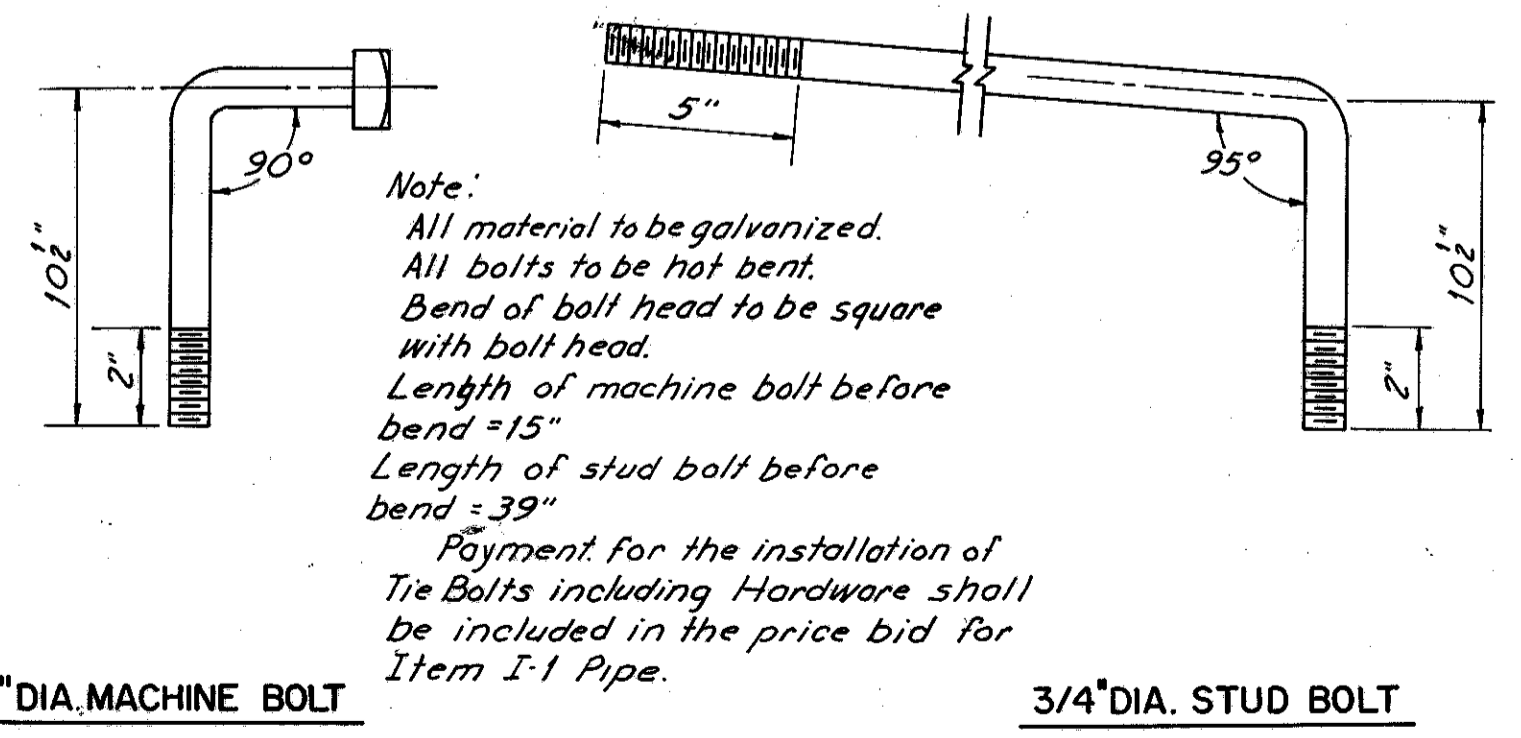
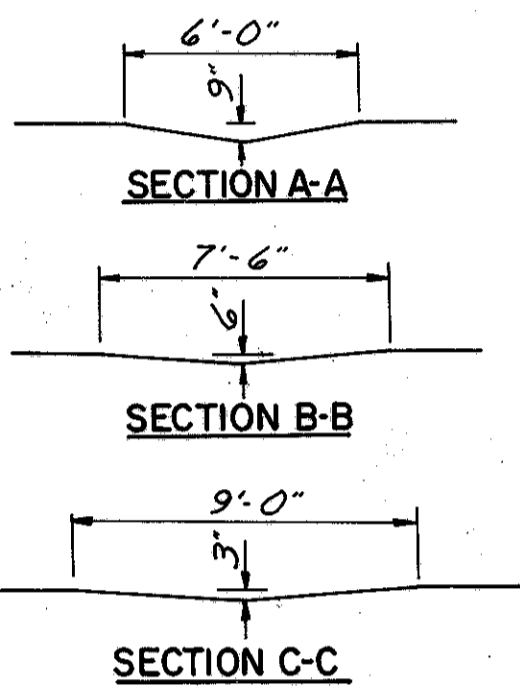
SECTIONAL PLATE CORRUGATED METAL RADIUS PIPE (P-52)



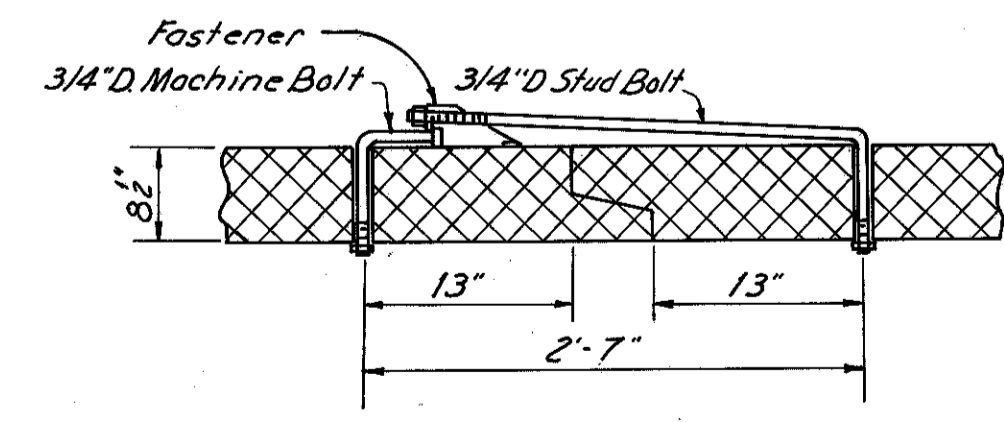
STANDARD NO. 3 & NO. 3-A CATCH BASIN MODIFIED



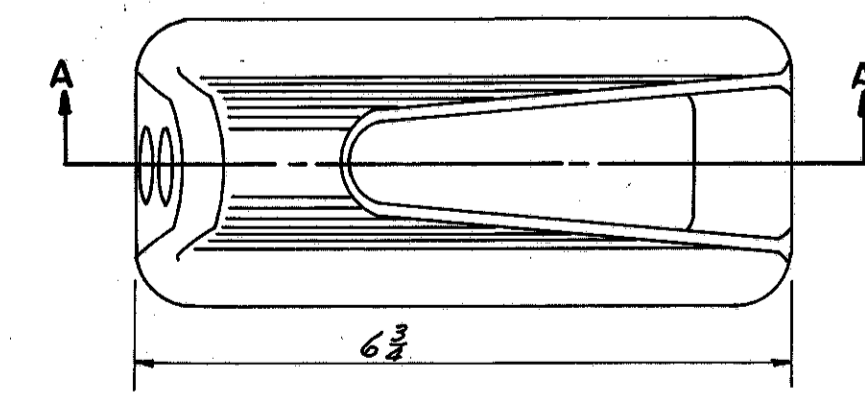
Note: Prior to placement of sod in the berm and slope, galvanized poultry fence shall be placed on the finished grade in strands which shall be at right angles to the direction of flow. Each strand shall be staked securely on top and bottom with stakes spaced at four foot intervals and alternated in rows four feet apart. Stakes shall be 1x1/8 inch wood stakes and shall be perpendicular to the ground and flush with the finished grade. The fence shall be Straight Line Poultry Fence or equivalent with strand width of four feet, having a two inch mesh and all wires No. 20 gage. Each strand of fencing shall be fastened together at twelve inch intervals by means of hog rings. The fence shall be secured to the stakes by metal staples. Sod shall be laid in accordance with Construction and Materials Specifications Section L-10.07. For quantities see (Drainage Plan Sheets).



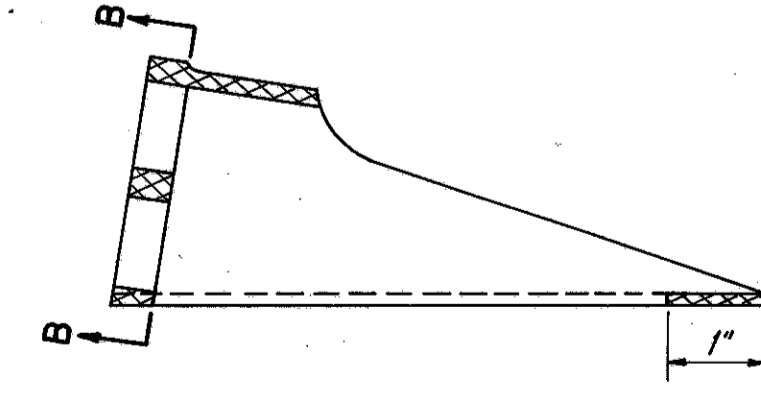
TIE BOLT DETAILS



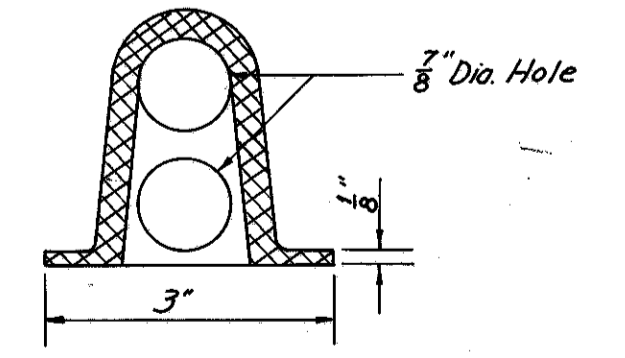
TIE BOLT INSTALLATION



PLAN



SECTION A-A



SECTION B-B

FASTENER DETAILS
1/2 Scale