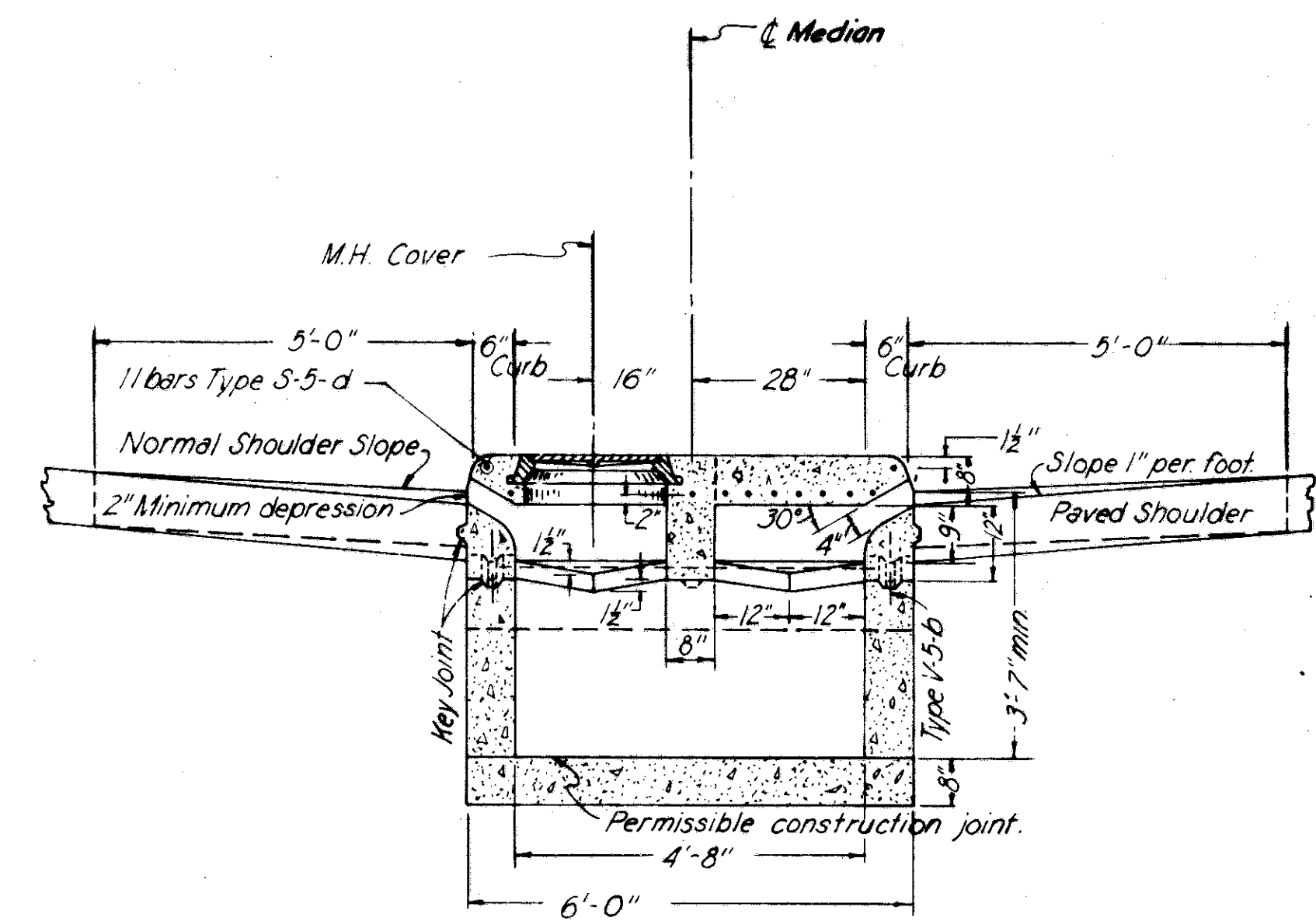
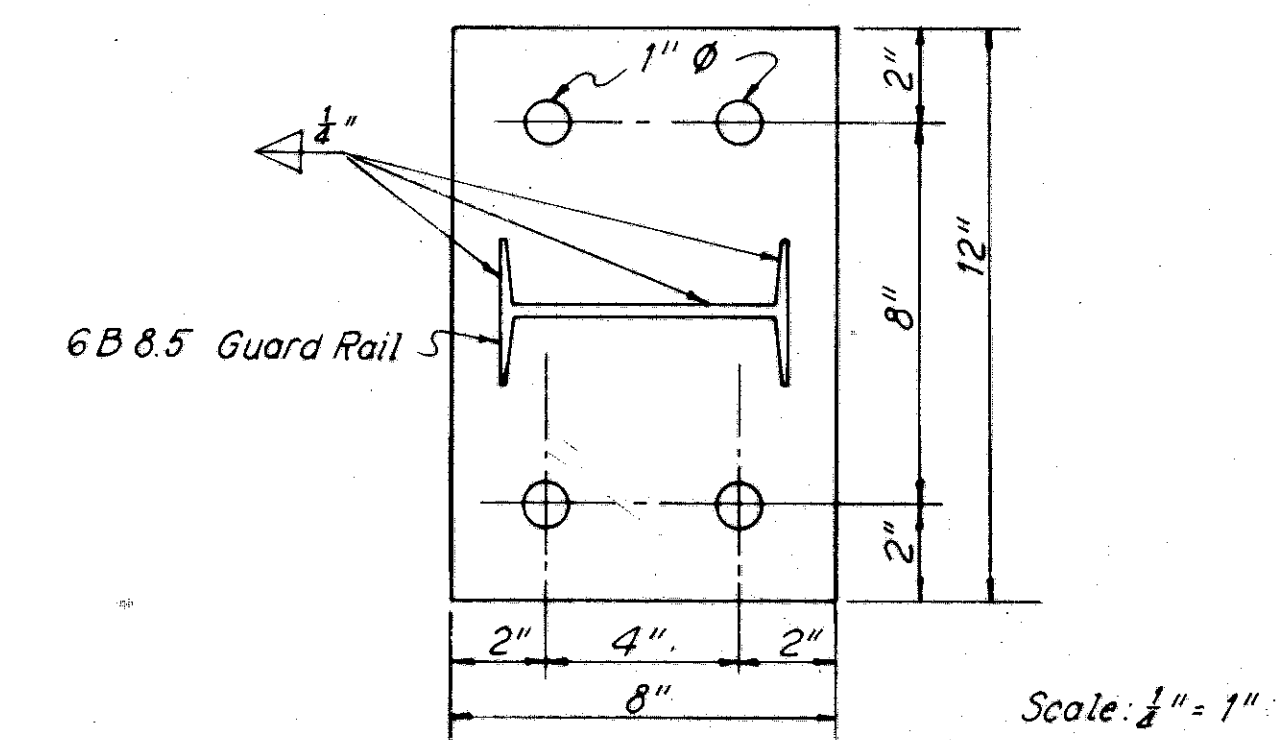


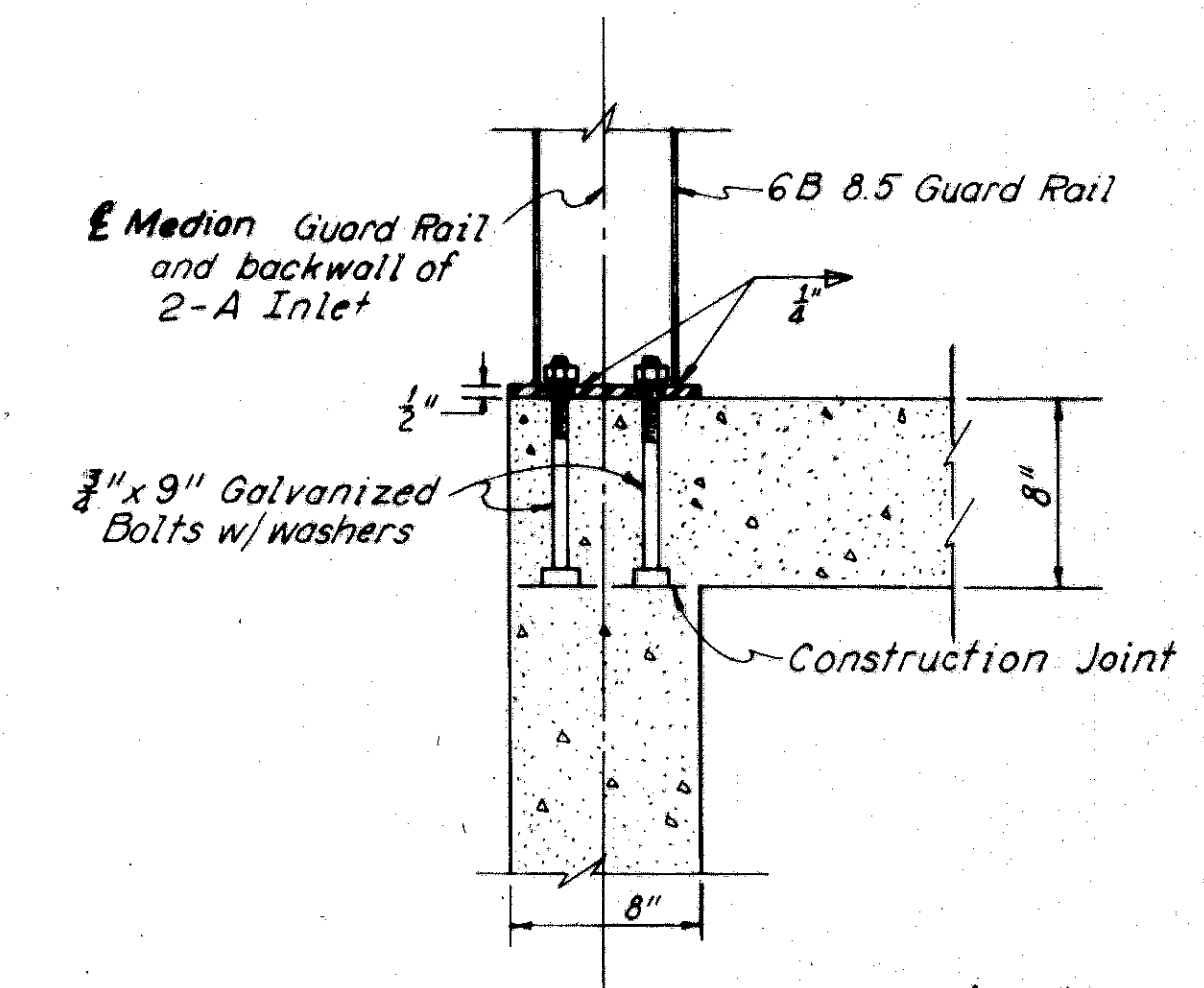
2-A MODIFIED PAVED SHOULDER INLET



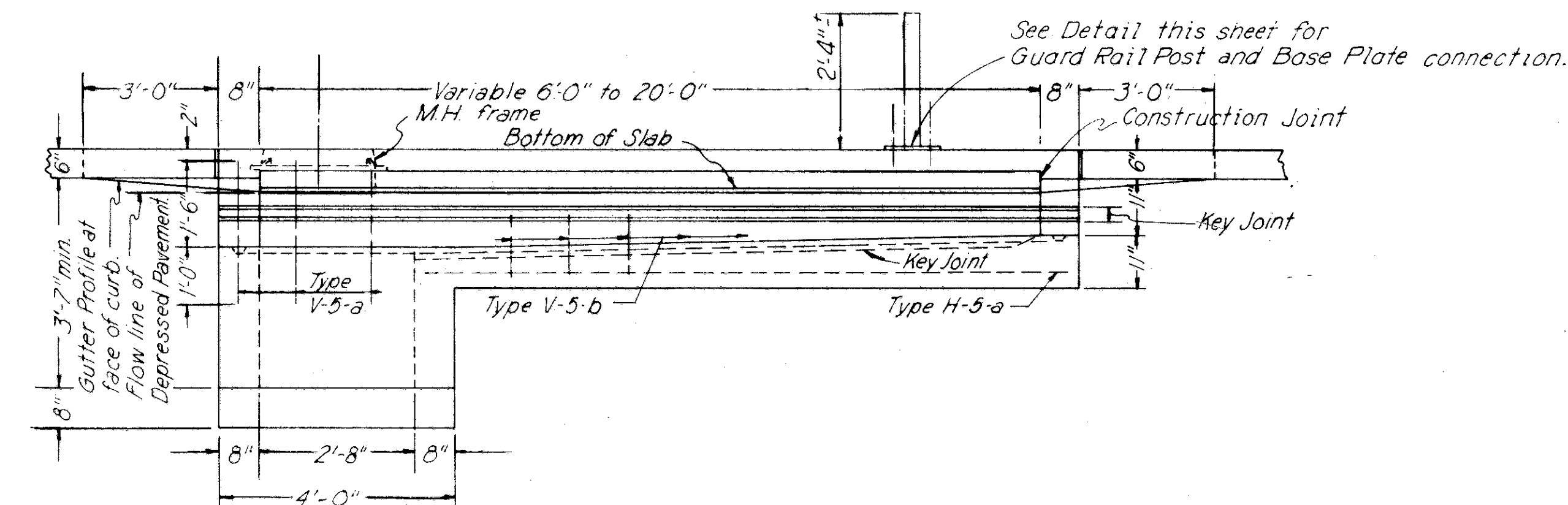
SECTION A-A



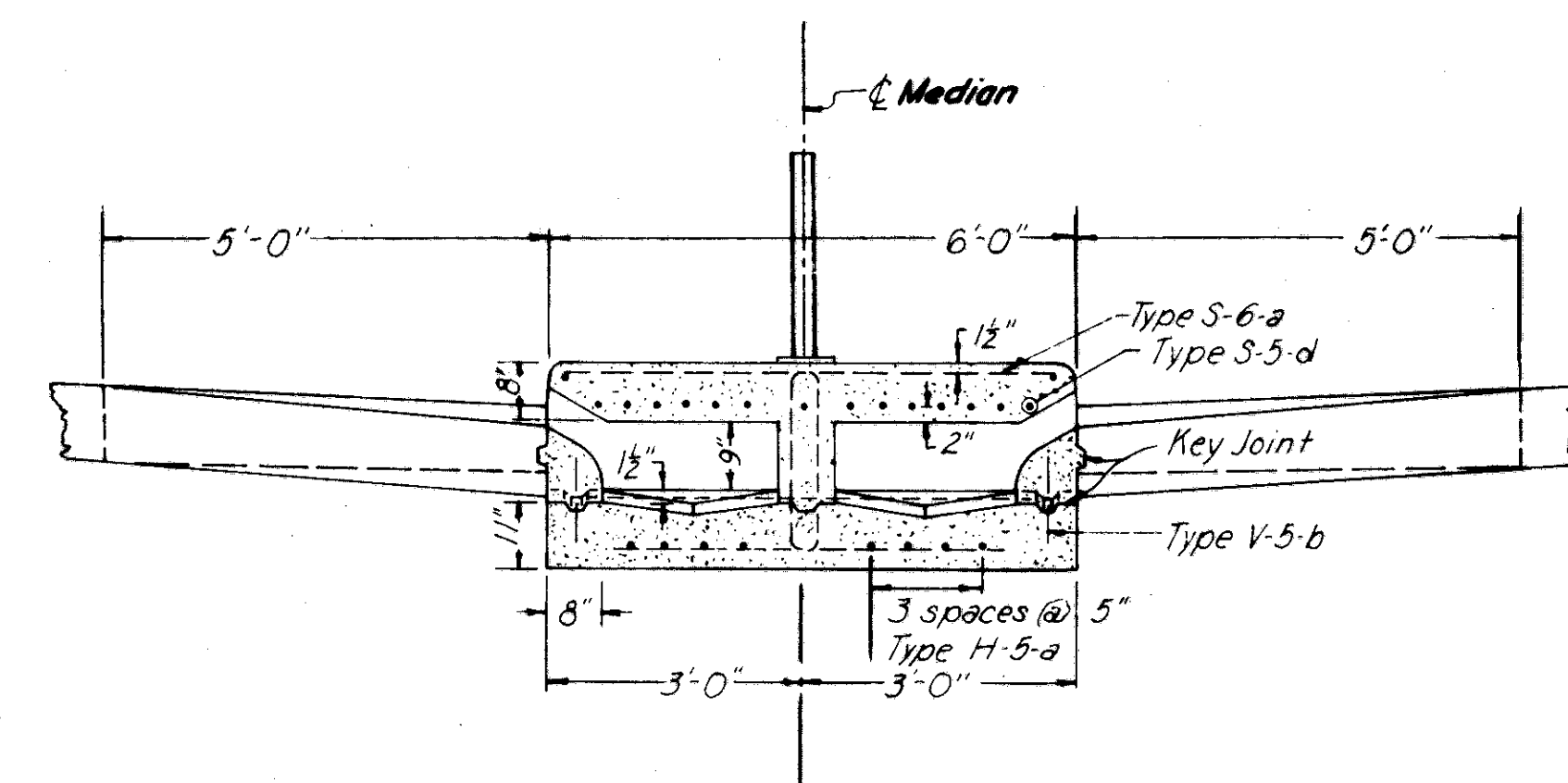
STEEL GUARDRAIL BASEPLATE



SECTION THROUGH CORNER OF 2-A PAVED SHOULDER INLET



LONGITUDINAL SECTION



SECTION B-B

STANDARD NO. 2-A PAVED SHOULDER INLET-MODIFIED

Note: All details not shown on this drawing shall be as shown on Standard Construction Drawing T-81, No. 2-A.