

FED. RD. DIVISION	STATE	PROJECT
2	OHIO	

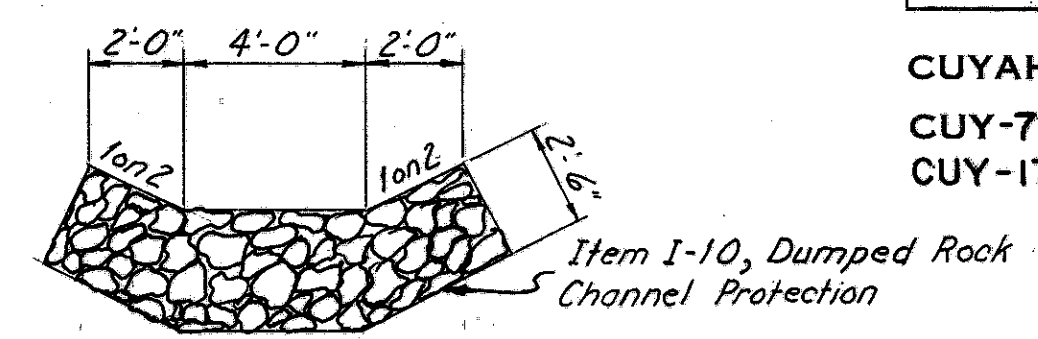
302
646

CUYAHOGA COUNTY
CUY-71-17.83
CUY-176-12.76

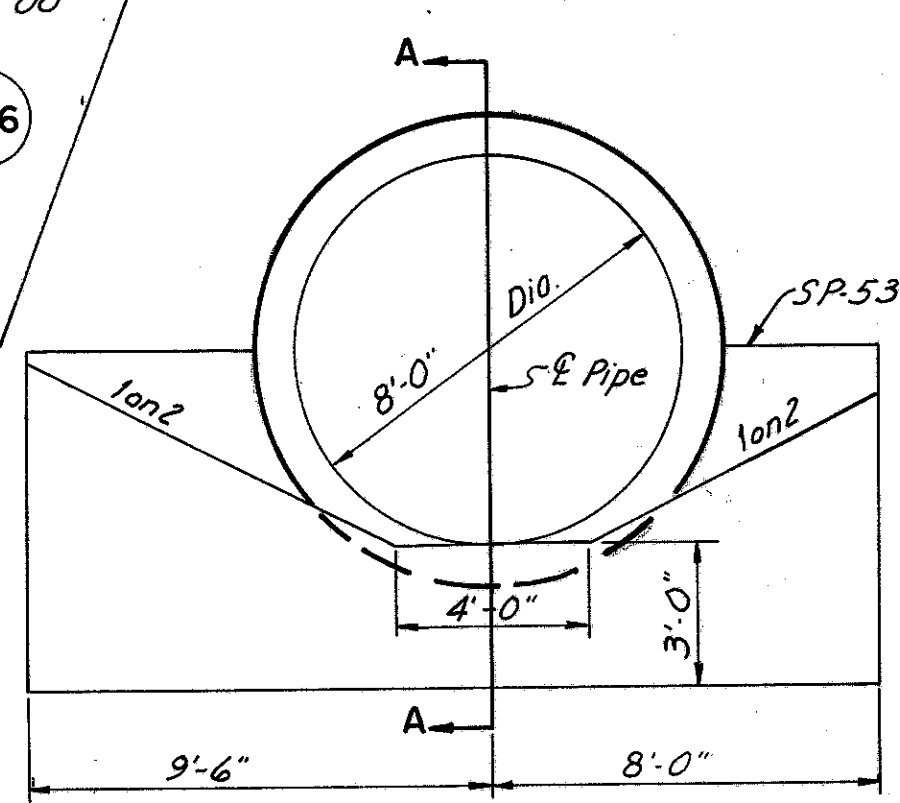
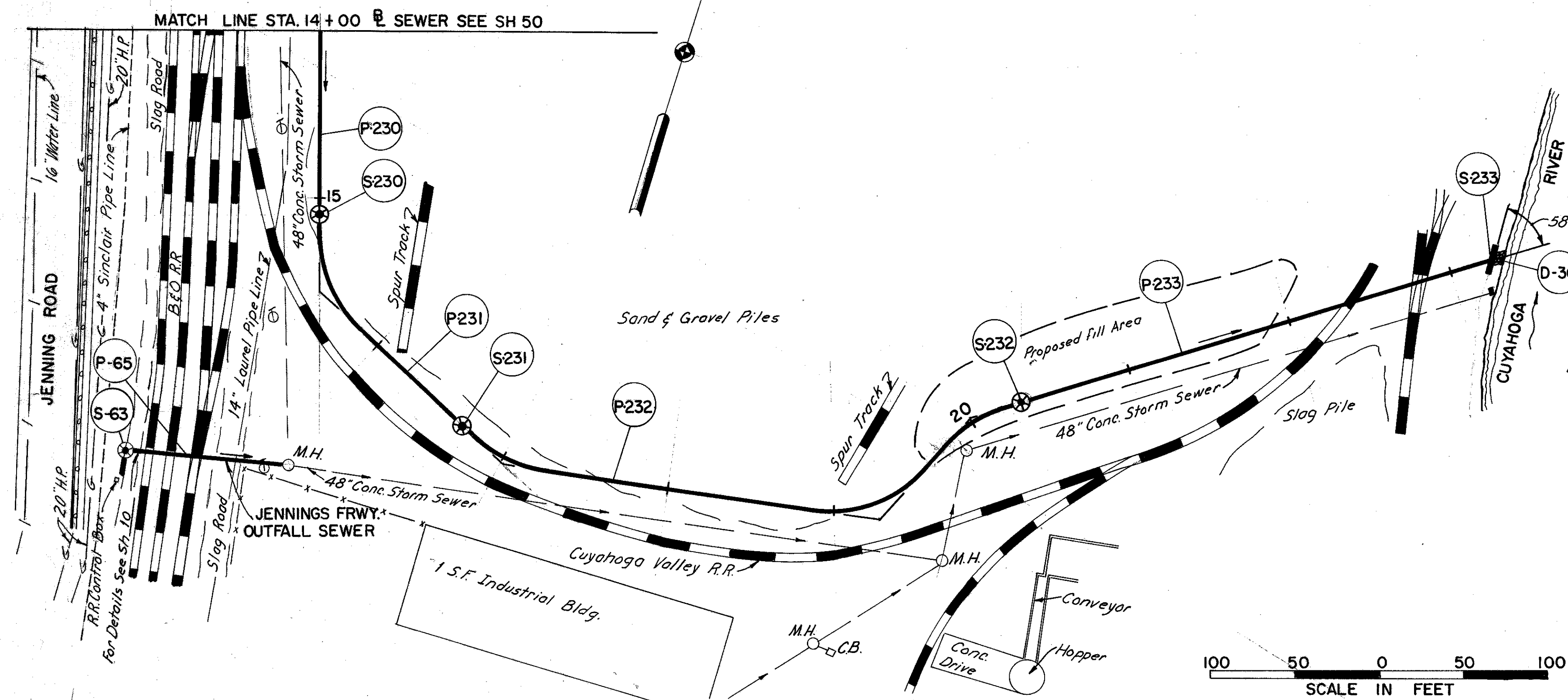
51
54

OUTFALL SEWER CURVE DATA

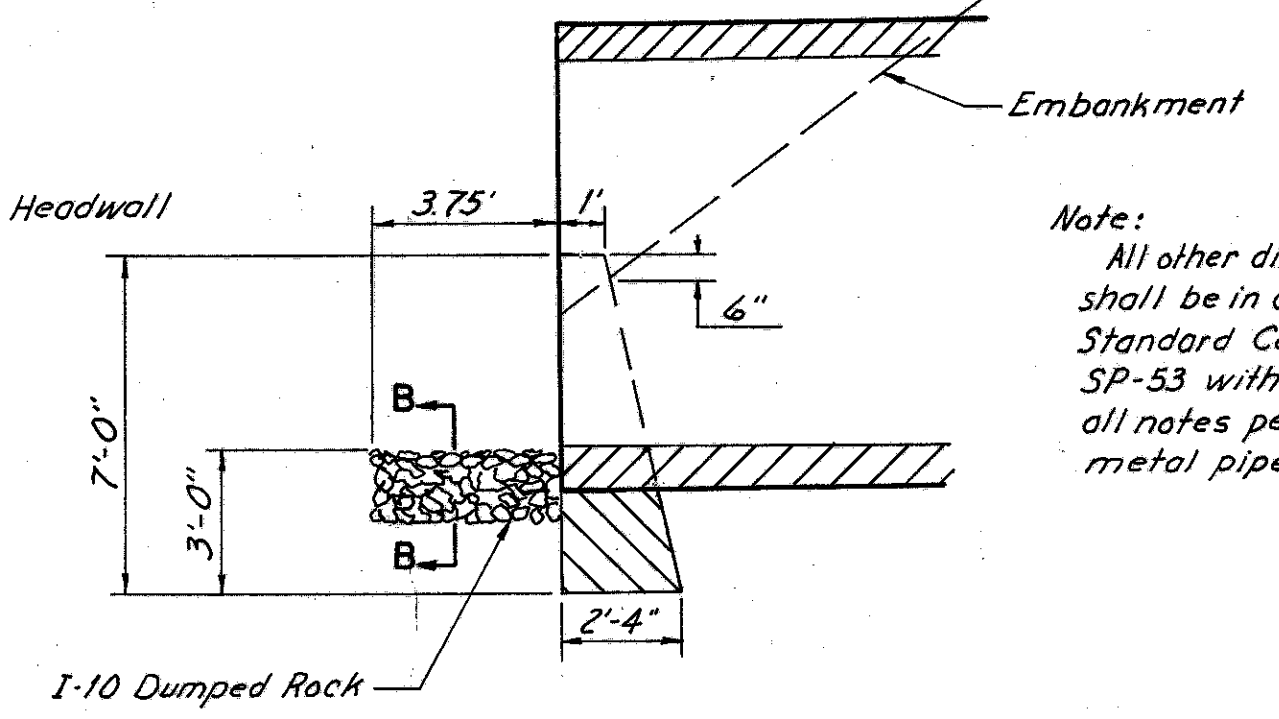
(P-231)	(P-232)	(P-232)	(P-232)
P.I. Sta. 15+57.20	P.I. Sta. 17+02.31	P.I. Sta. 19+27.79	P.I. Sta. 20+02.14
$\Delta = 47^{\circ}17'$	$\Delta = 34^{\circ}40'$	$\Delta = 56^{\circ}30'$	$\Delta = 31^{\circ}29'$
$R = 75.00'$	$R = 75.00'$	$R = 75.00'$	$R = 75.00'$
$T = 32.83'$	$T = 23.41'$	$T = 40.30'$	$T = 21.14'$
$L = 61.89'$	$L = 45.38'$	$L = 73.96'$	$L = 41.21'$



SECTION B-B



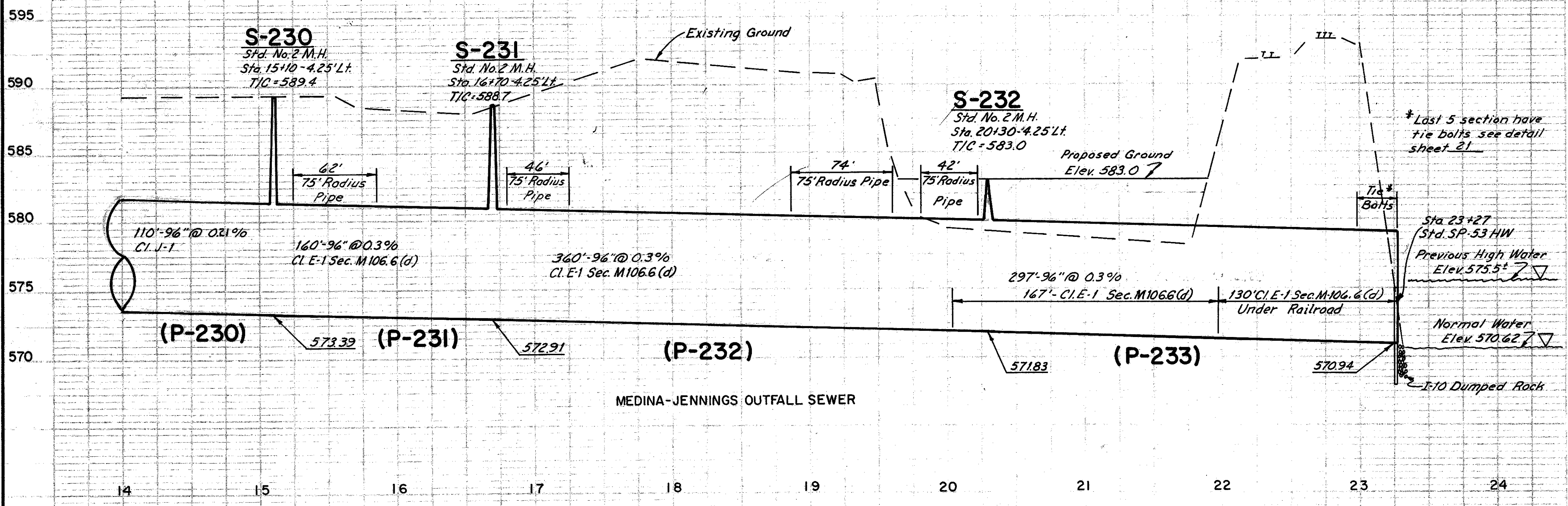
HEADWALL DETAIL
Scale 1/4" = 1'-0"



SECTION A-A

Note:
All other dimensions and notes shall be in accordance with Standard Construction Drawings SP-53 with the exception that all notes pertaining to corrugated metal pipe shall be waived.

DRAINAGE QUANTITIES			
CODE	LOCATION	I-2	I-10
		Masonry Cu. Yds.	Dumped Rock Channel Protection Cu. Yds.
S-233	23+27 Sewer	6.3	
D-36	23+27 Sewer		2.8



MEDINA-JENNINGS OUTFALL SEWER

HOWARD, NEEDLES, TAMMEN & BERGENDOFF
CONSULTING ENGINEERS
KANSAS CITY CLEVELAND NEW YORK