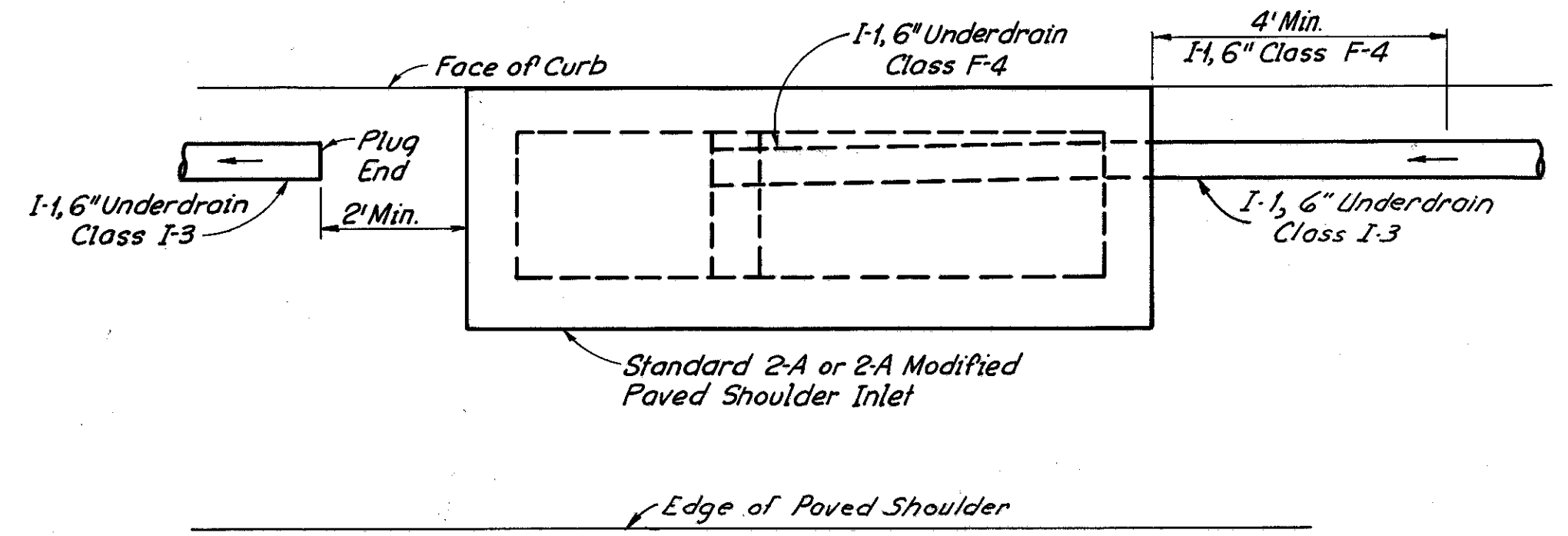


FED. RD. DIVISION	STATE	PROJECT
2	OHIO	

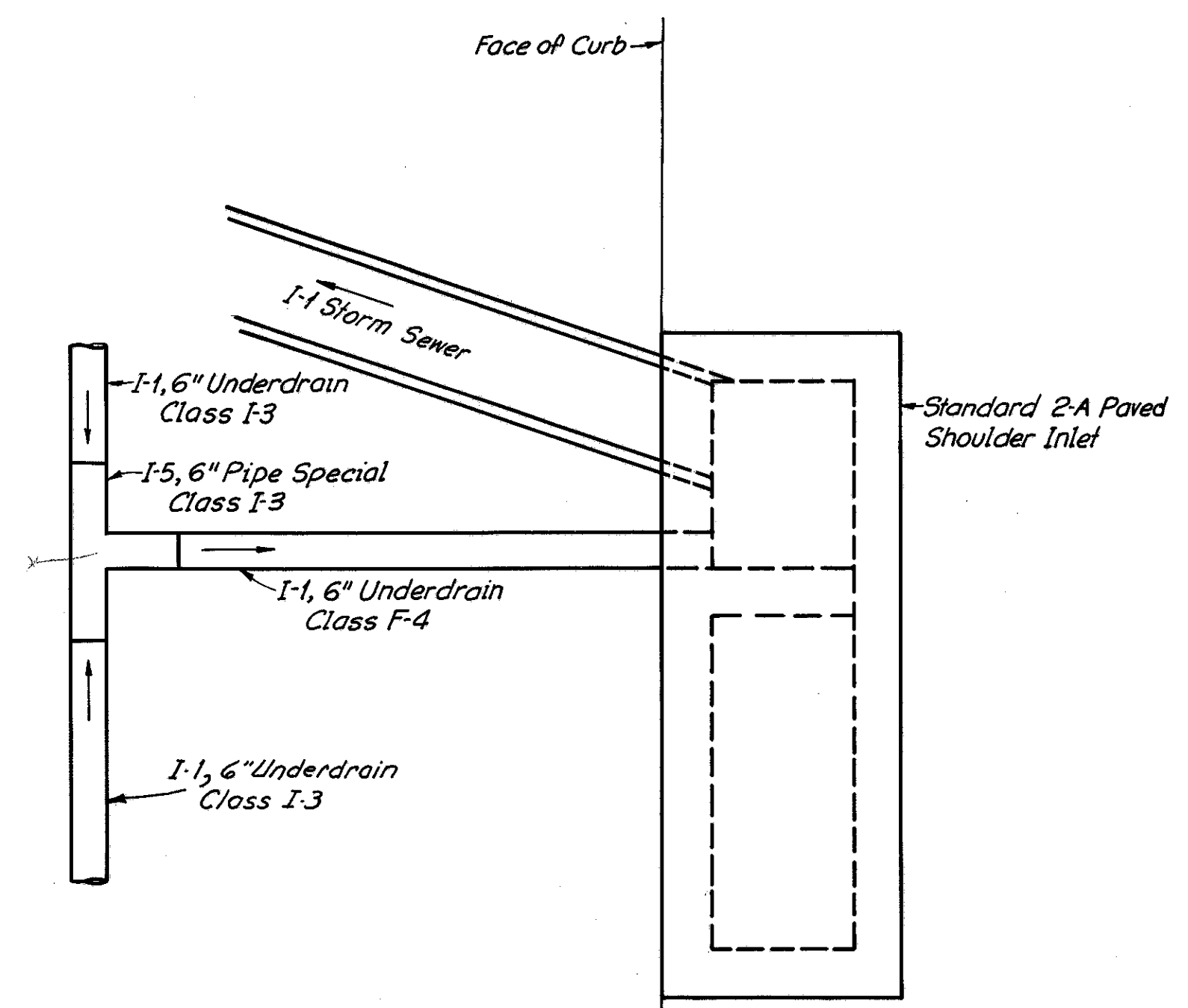
269
646

19
54

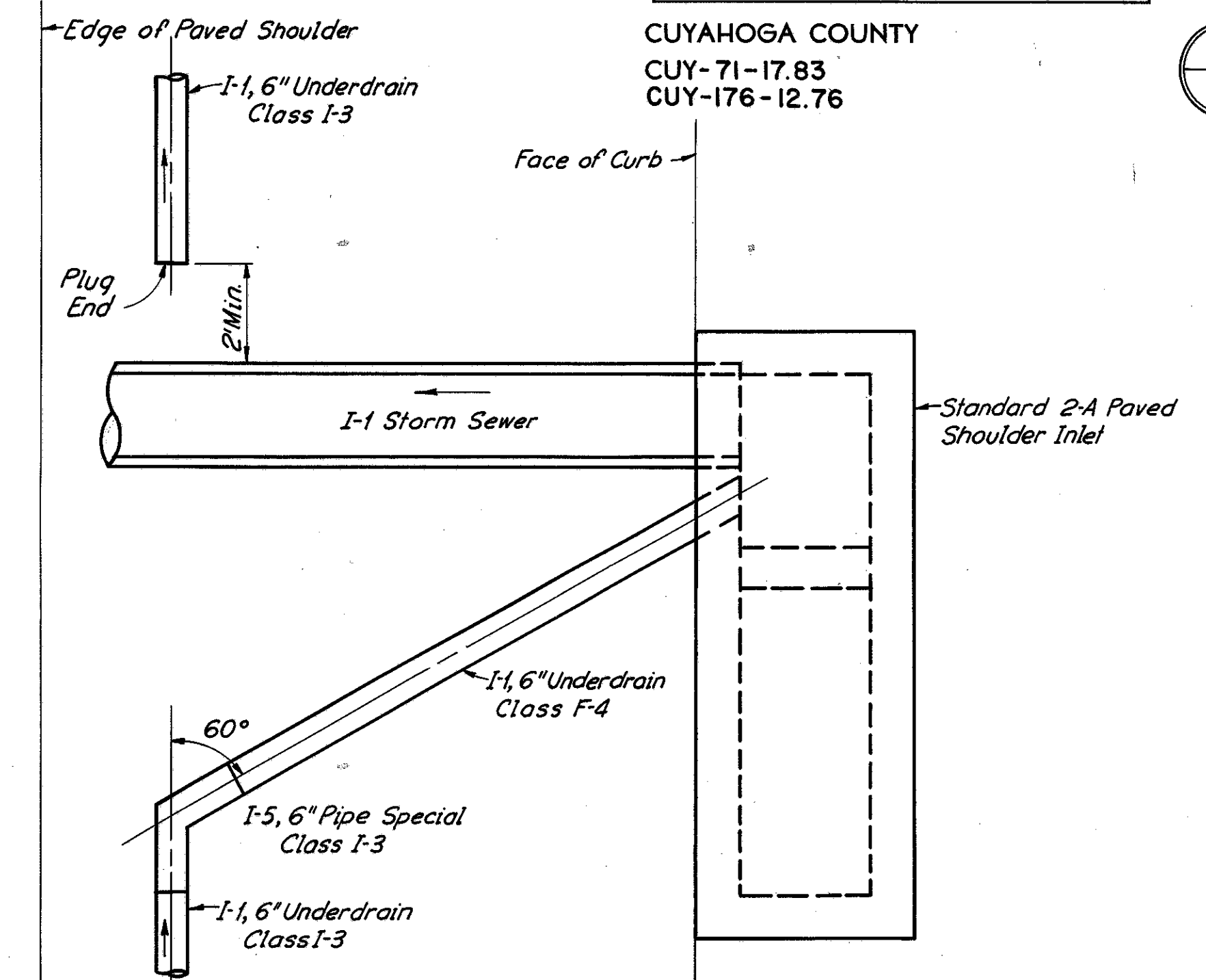
CUYAHOGA COUNTY
CUY-71-17.83
CUY-176-12.76



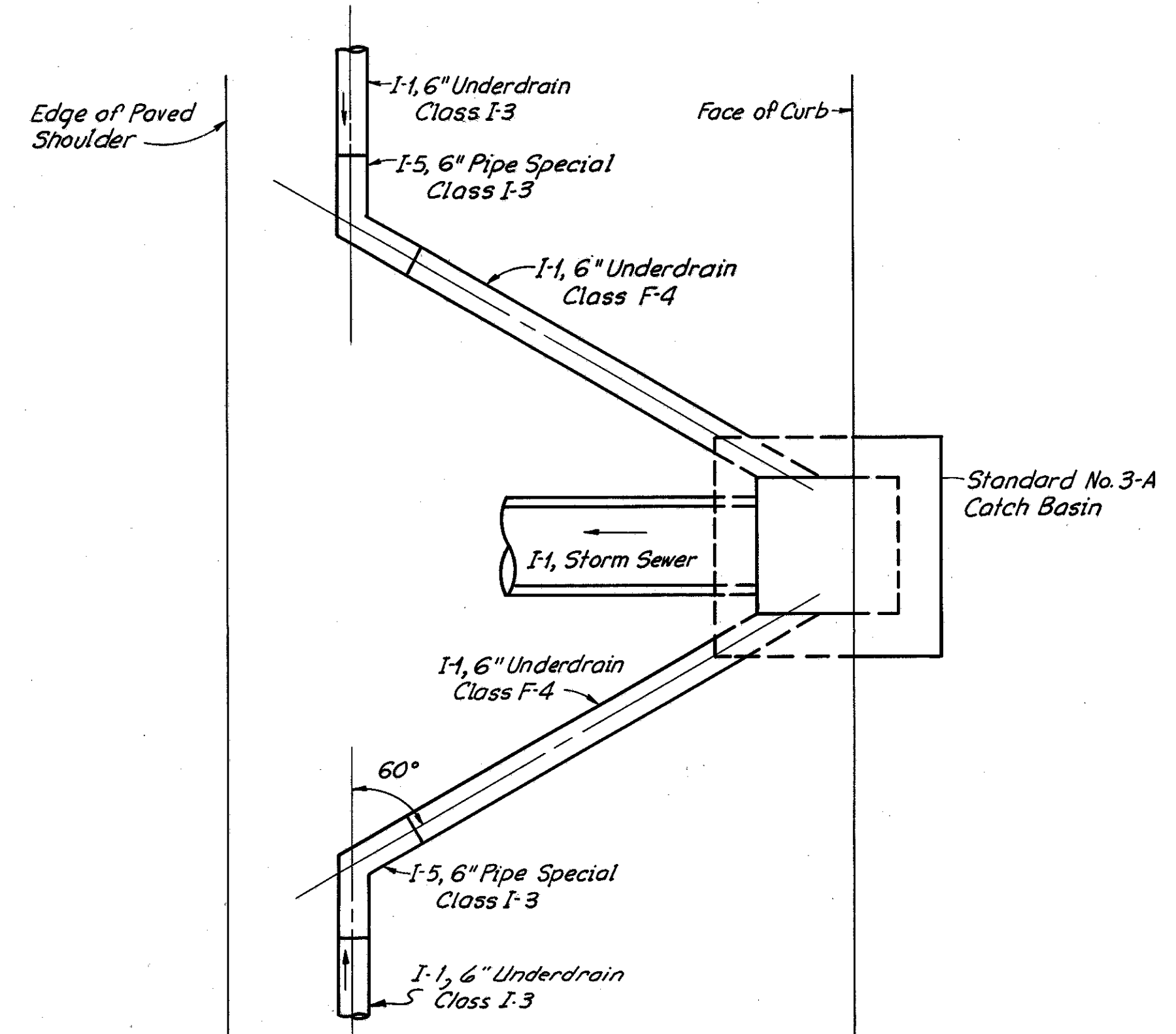
MEDIAN ON GRADE



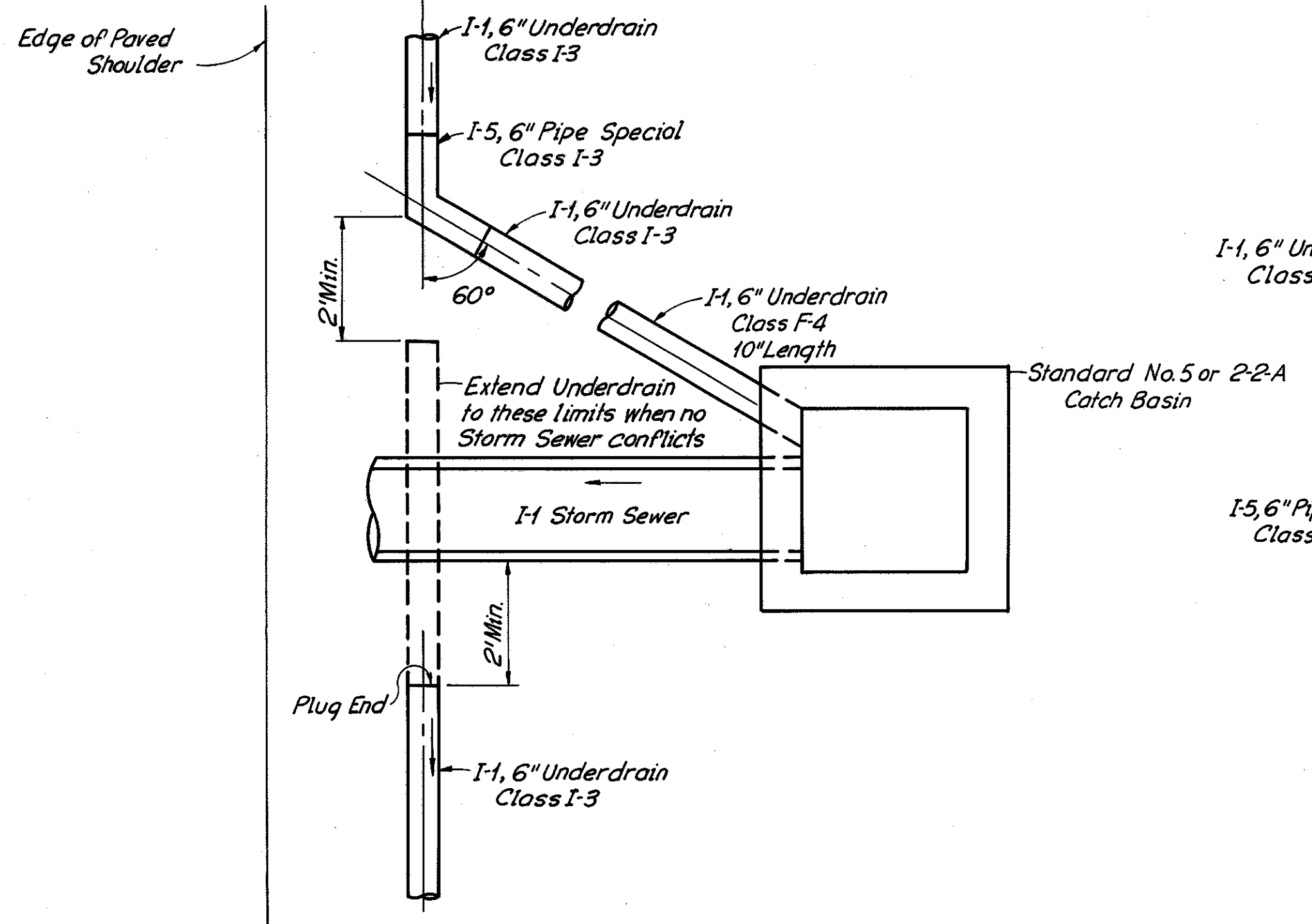
PAVED SHOULDER ON GRADE



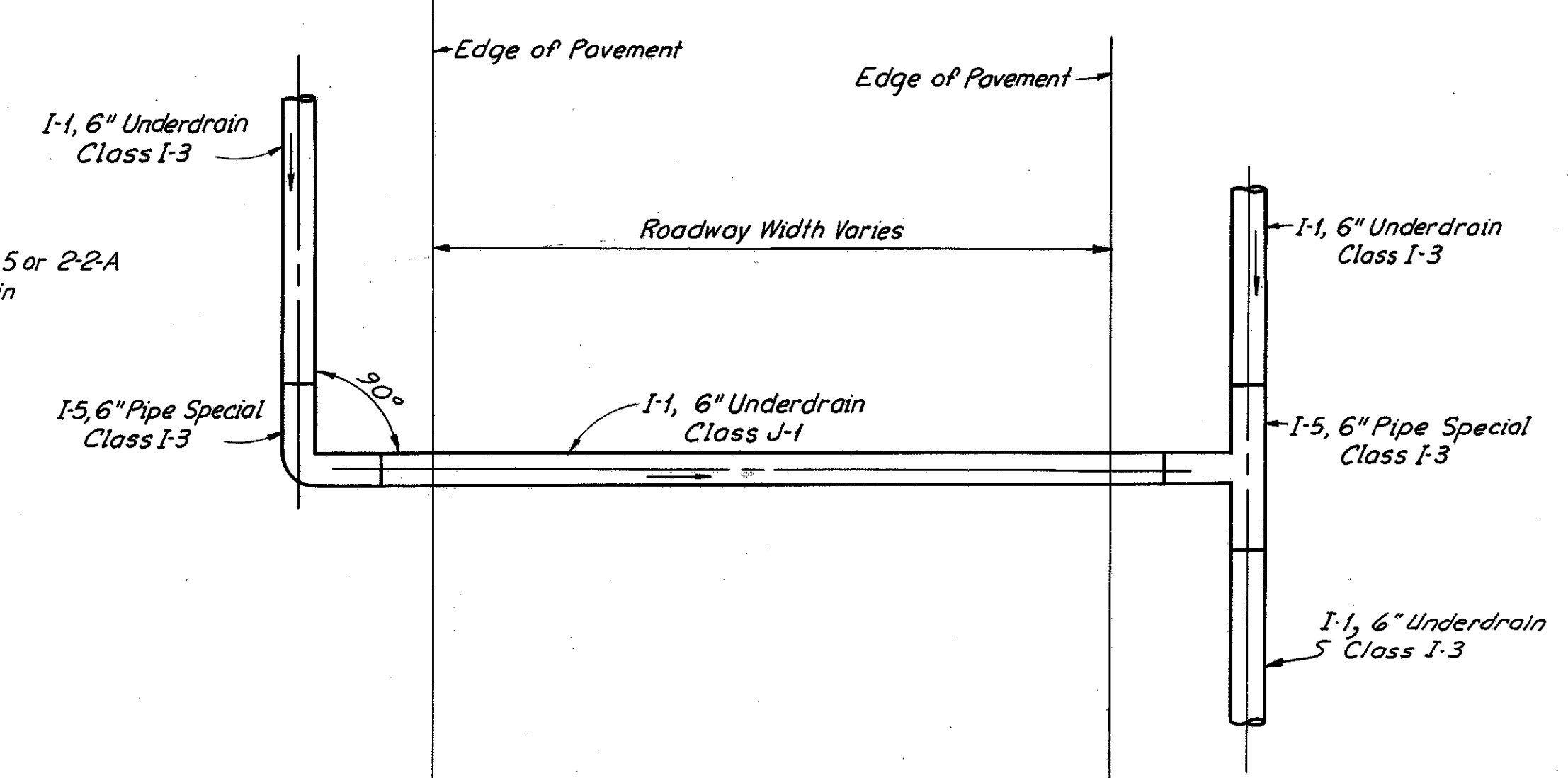
PAVED SHOULDER ON GRADE



PAVED SHOULDER LOW POINT



ROADWAY DITCH



UNDERDRAIN CROSSING ROADWAY

TYPICAL UNDERDRAIN DETAILS

MADE *JEN* DATE *10-5-64* TRACED _____ DATE _____
CHECKED *R.U.T.* DATE *10-12-64* SCALE *None*

HOWARD, NEEDLES, TAMMEN & BERGENDOFF
CONSULTING ENGINEERS
KANSAS CITY CLEVELAND NEW YORK