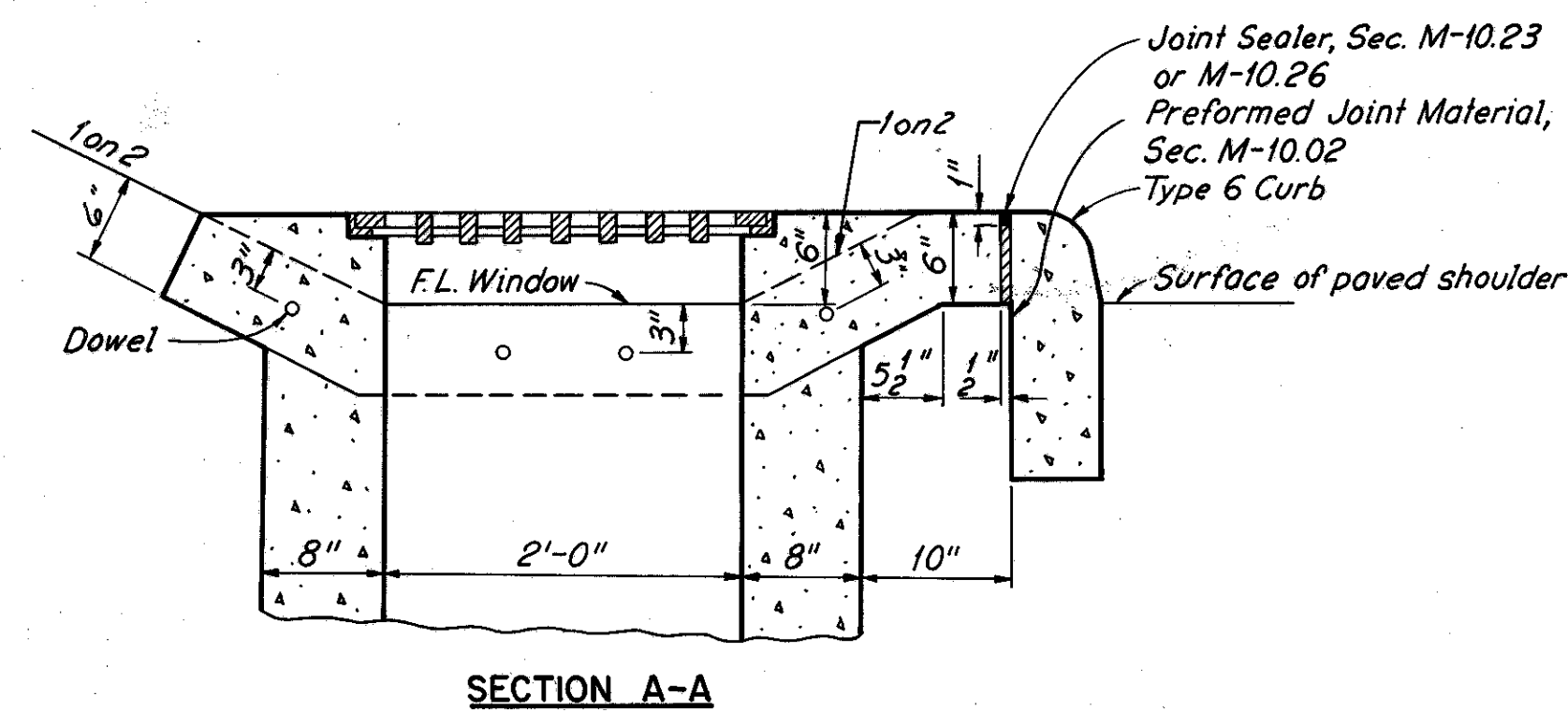


FED. RD. DIVISION	STATE	PROJECT
2	OHIO	

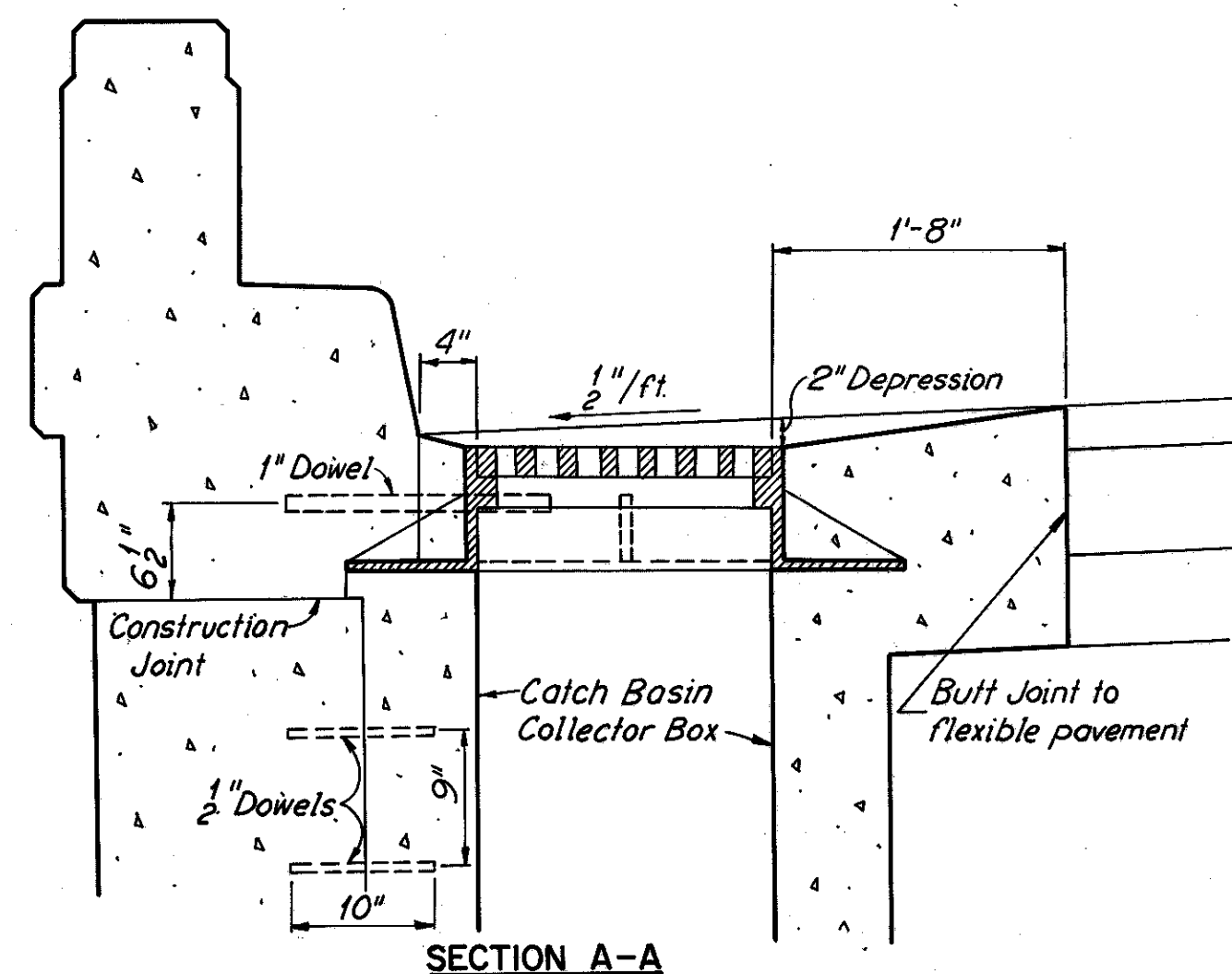
CUYAHOGA COUNTY
 CUY-71-17.83
 CUY-176-12.76

270
646
20
54



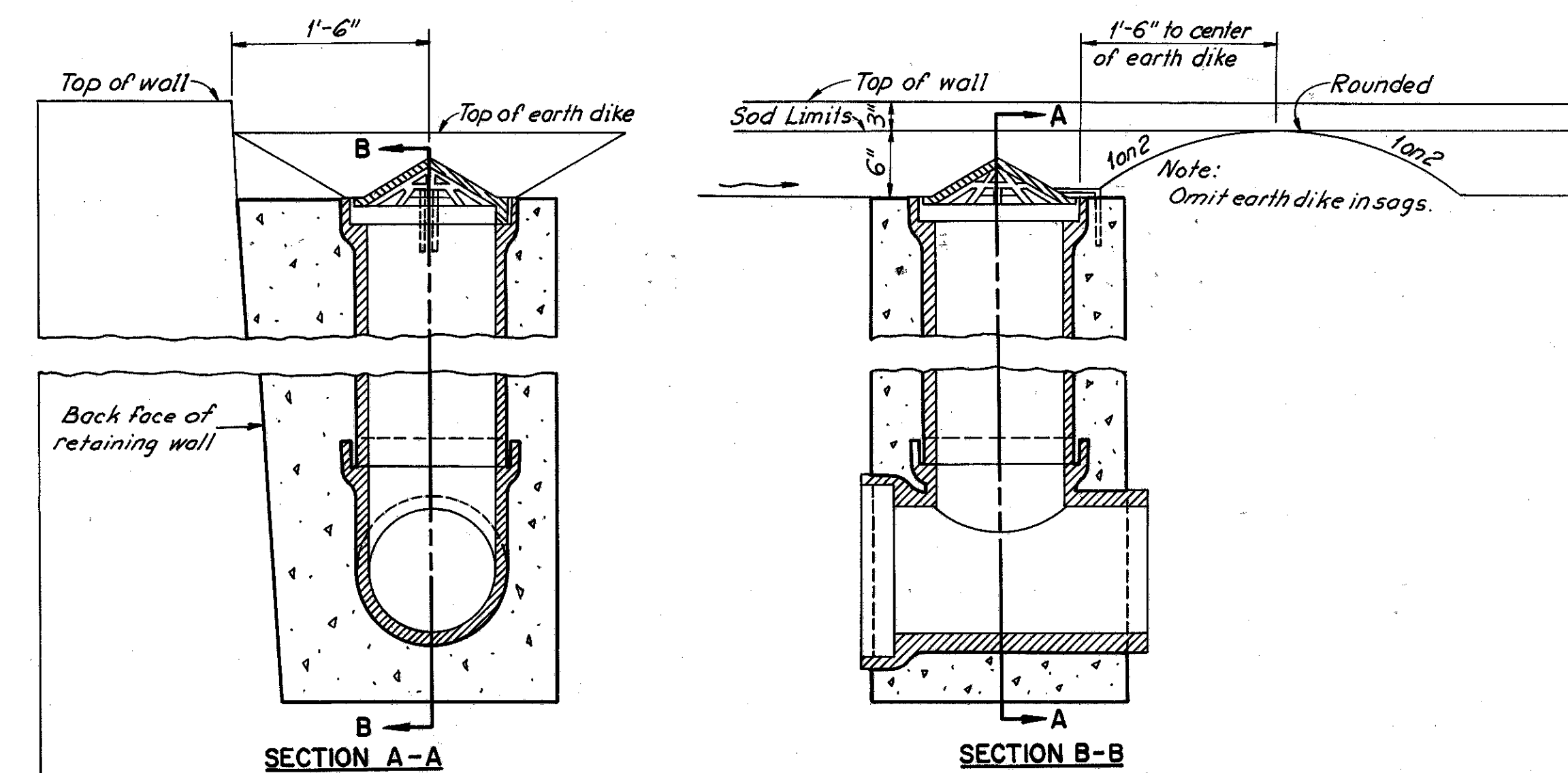
SECTION A-A

Note:
 1. For details not shown see Standard Construction Drawing I-8 C.B. 2-2A.
 2. Dowels to be 3/4" round, smooth bars 10" long, spaced as shown hereon and greased.



SECTION A-A

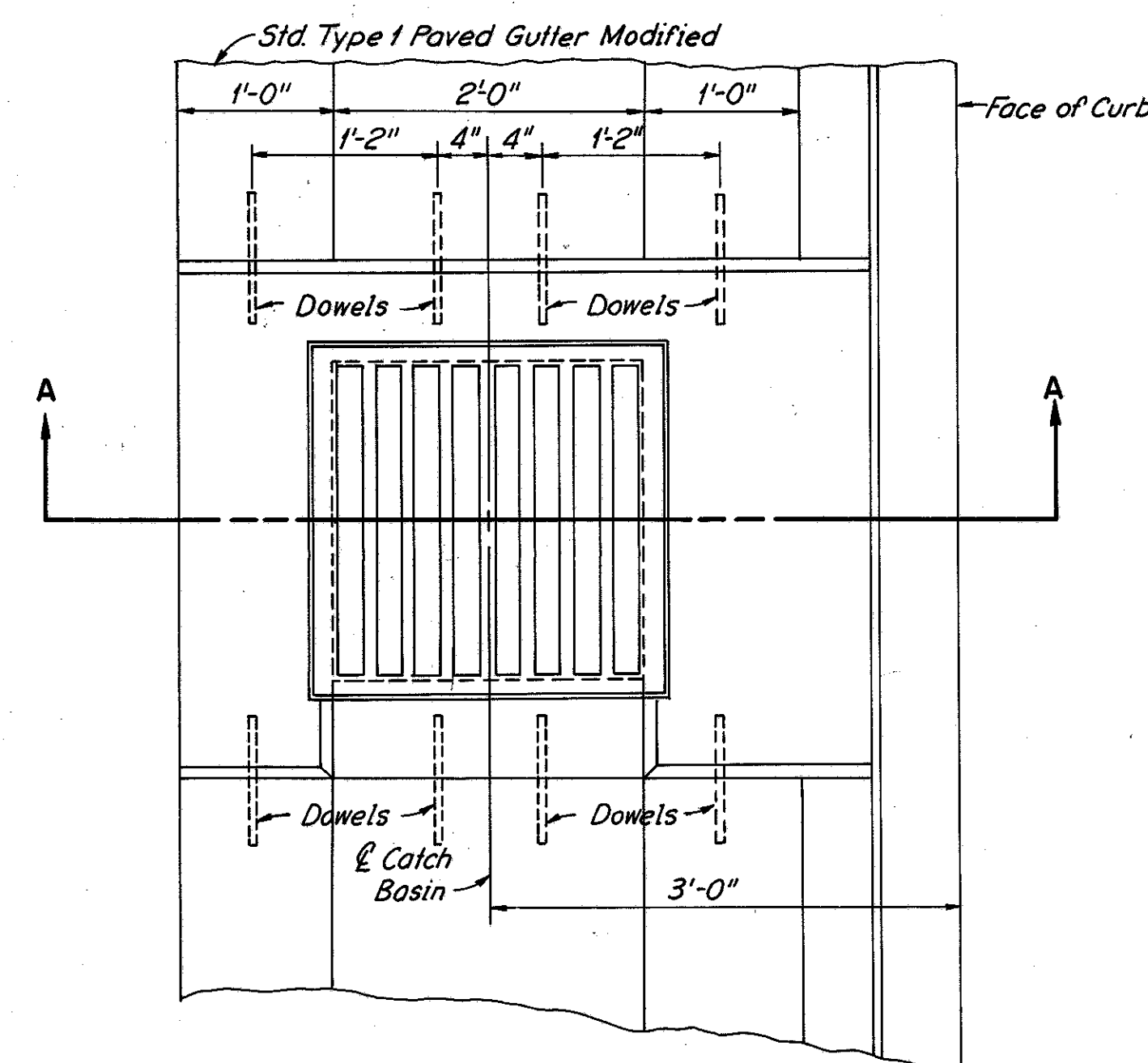
Note:
 1. For details not shown see Standard Construction Drawing I-8 C.B. No. 6.
 2. The construction of the No. 6 Catch Basin shall be coordinated with the wall construction and shall be placed prior to construction of parapet and safety walk.
 3. The depressed apron shall be 9" thick, class "C" concrete.
 4. Payment for all labor and materials required to construct the No. 6 Catch Basin as indicated including dowels, depressed apron, and placing the casting as indicated shall be included in the bid for Item I-8 No. 6 Catch Basin, Modified, as per plan.



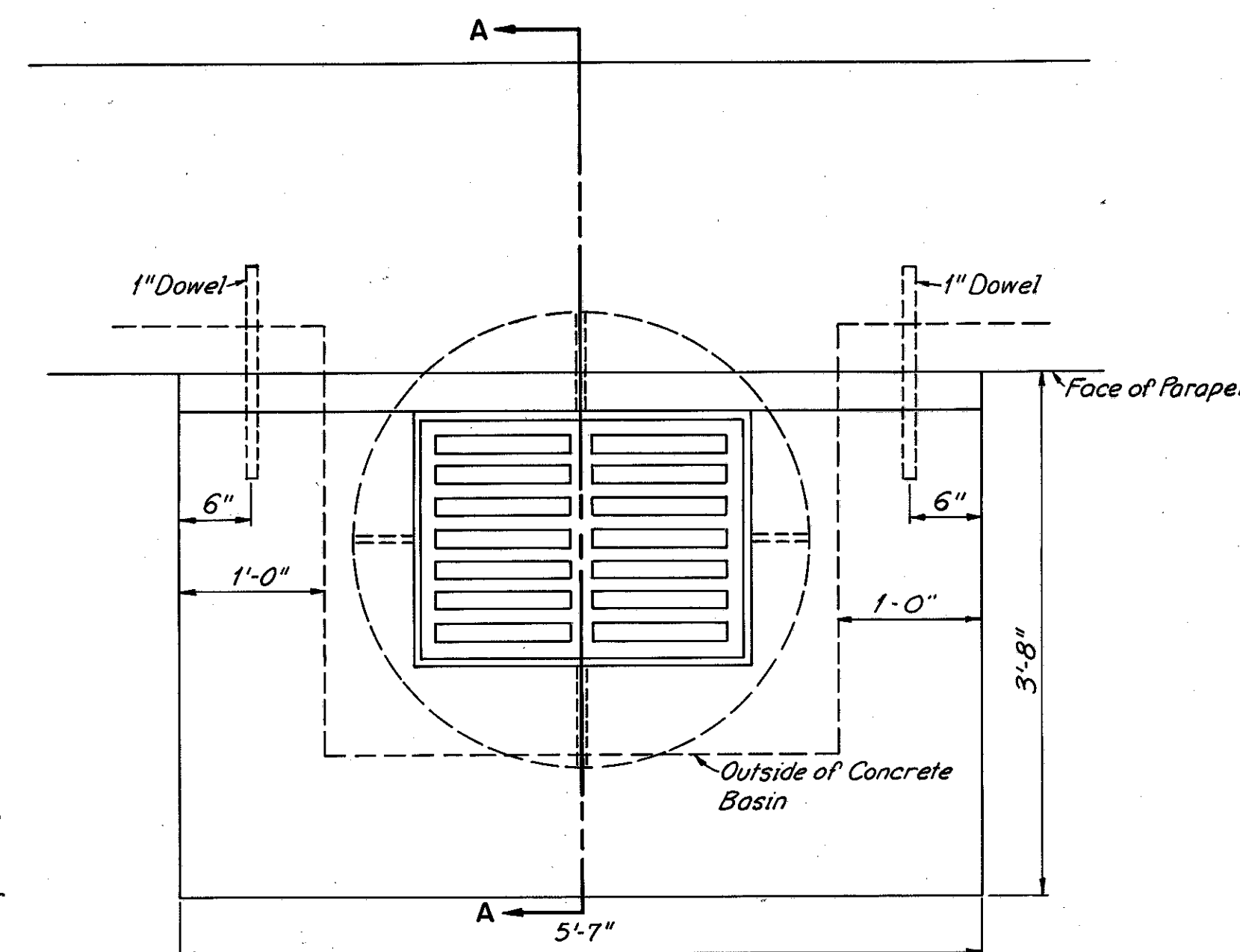
SECTION A-A

SECTION B-B

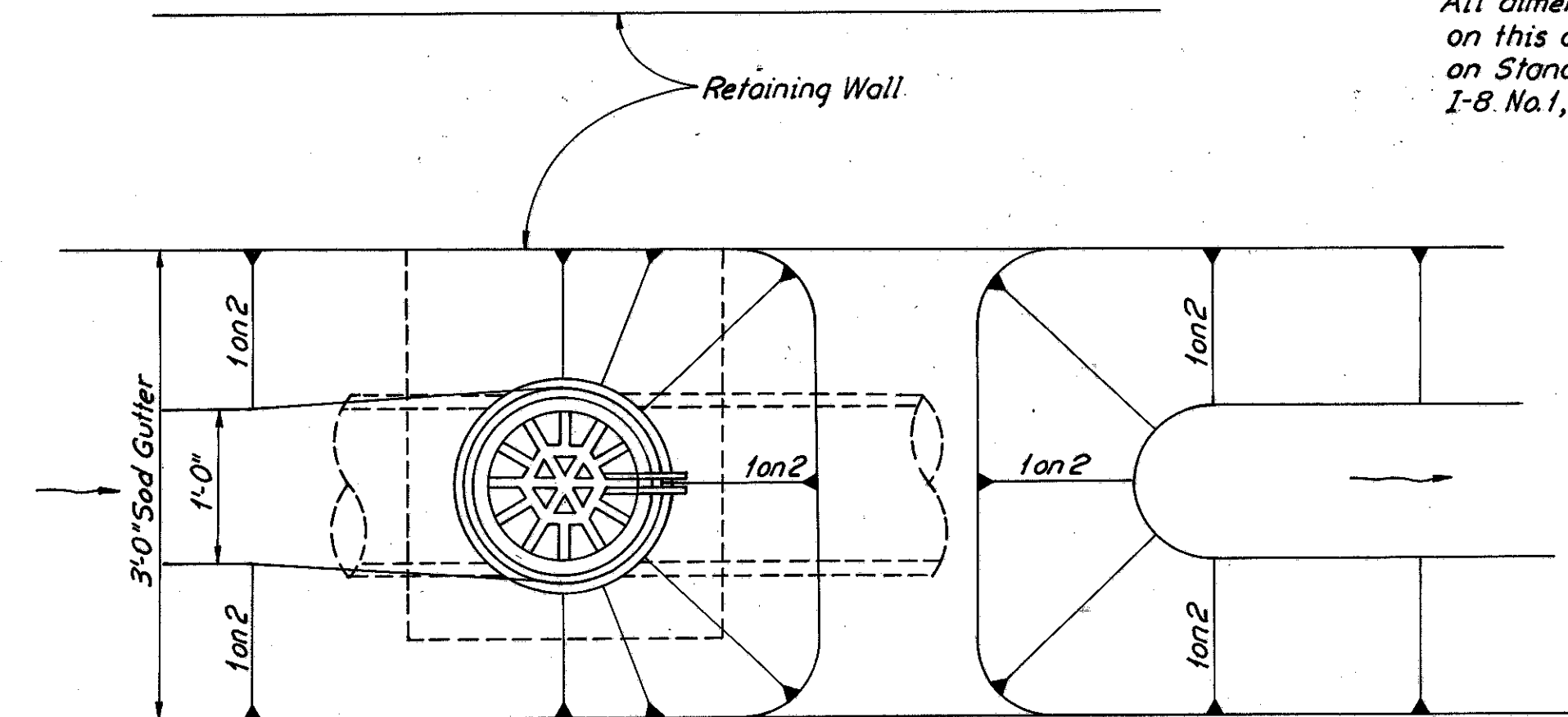
Note:
 All dimensions and notes not shown on this detail shall be as shown on Standard Construction Drawings I-8 No. 1, Side Ditch Inlets.



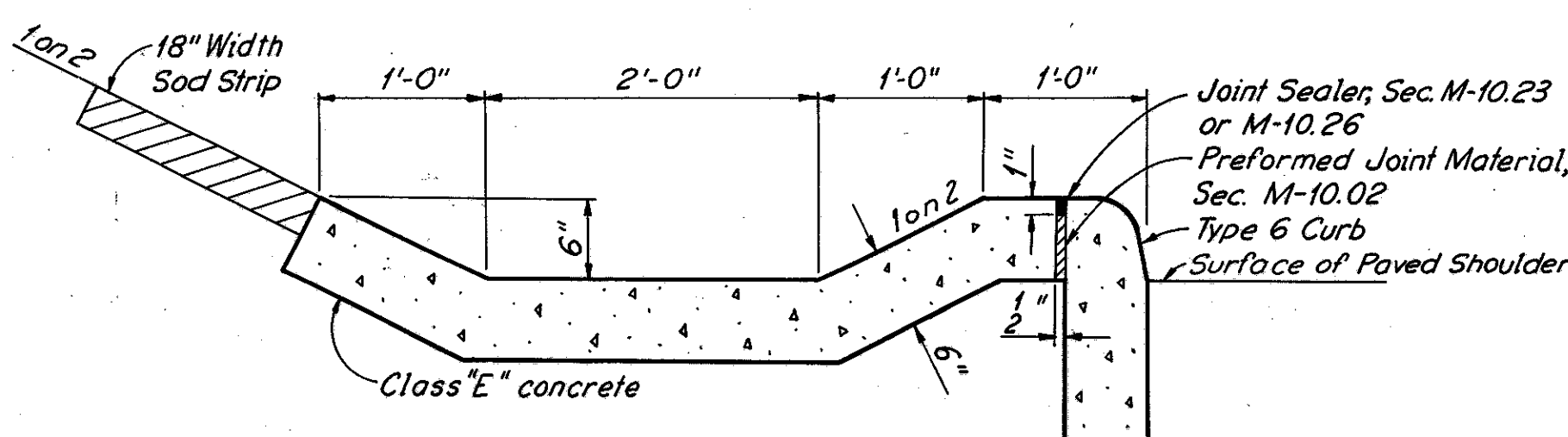
PLAN
STANDARD 2-2A CATCH BASIN MODIFIED



PLAN
STANDARD NO. 6 CATCH BASIN MODIFIED



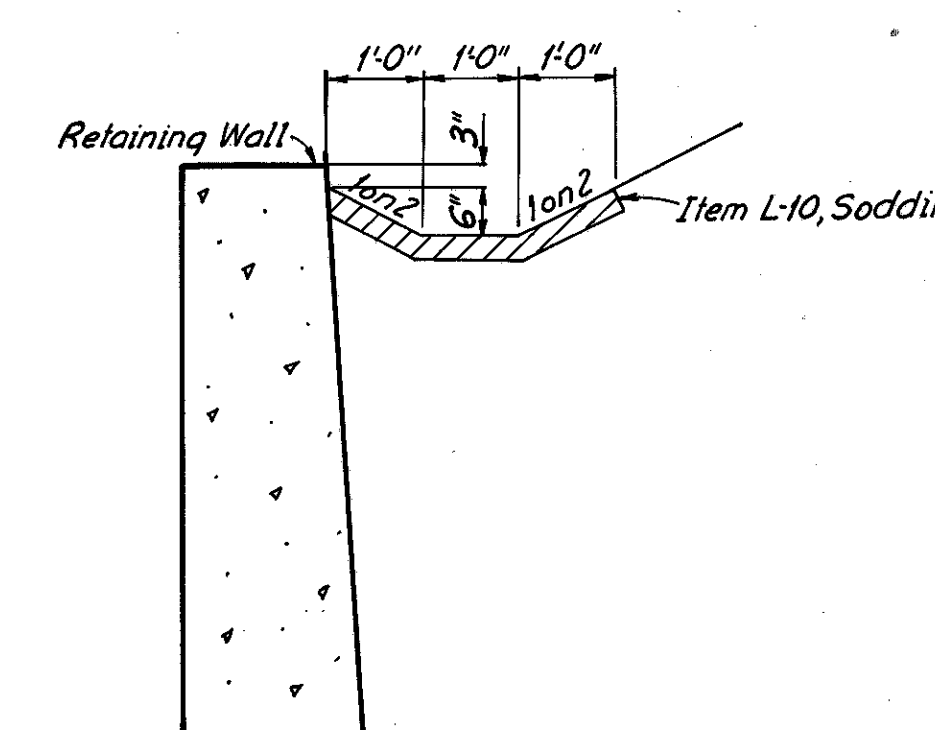
PLAN
STANDARD NO. 1 SIDE DITCH INLET MODIFIED



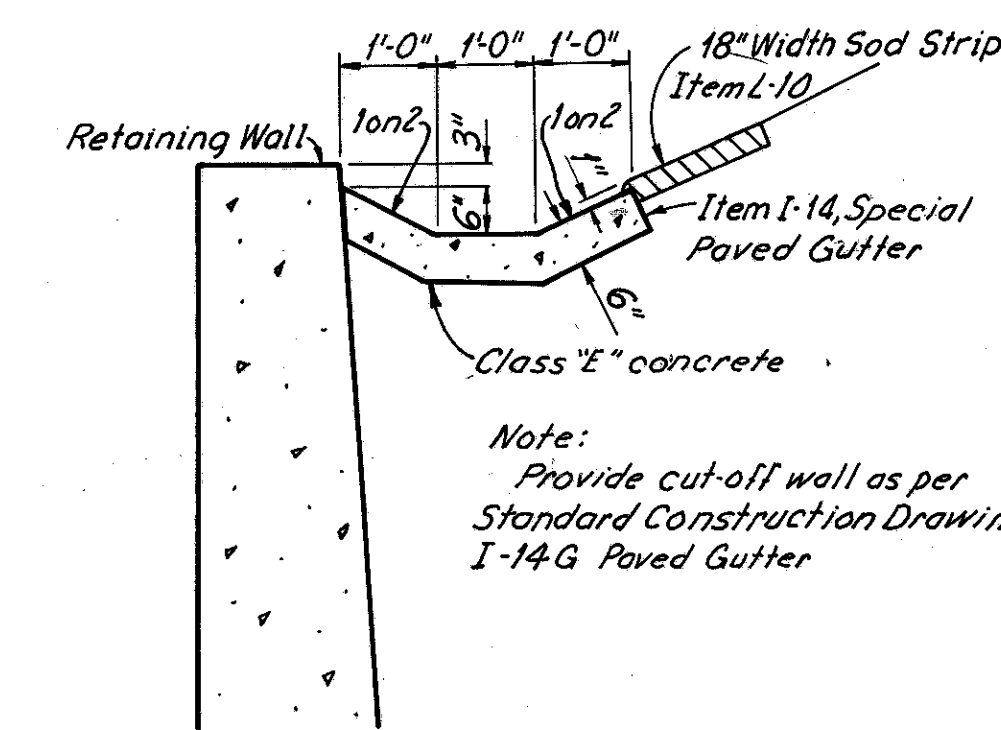
SECTION A-A

Note:
 Provide cut-off wall as per Standard Construction Drawing I-14G Paved Gutter

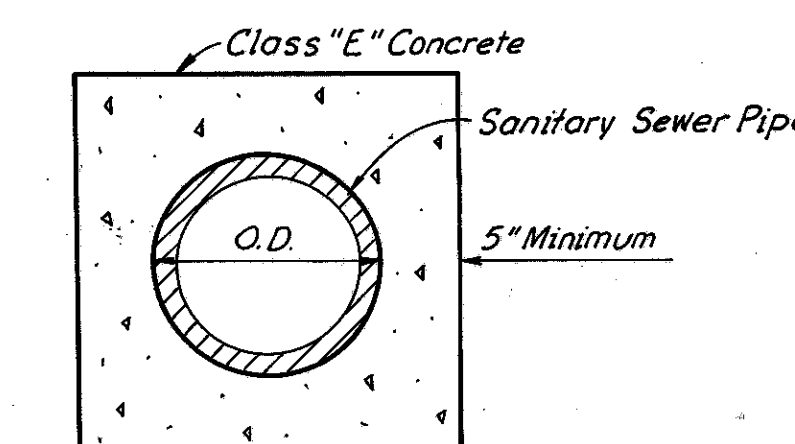
STANDARD TYPE I PAVED GUTTER MODIFIED



RETAINING WALL-SODDED FLUME DETAIL
 Scale: 1/2" = 1'-0"



RETAINING WALL-PAVED GUTTER DETAIL
 Scale: 1/2" = 1'-0"



TYPICAL SEWER PIPE ENCASEMENT
 No Scale

MADE JEN DATE 10-2-64 TRACED DATE
 CHECKED RJT DATE 10-12-64 SCALE 1"=1'-0" or as Noted

HOWARD, NEEDLES, TAMMEN & BERGENDOFF
 CONSULTING ENGINEERS
 KANSAS CITY CLEVELAND NEW YORK