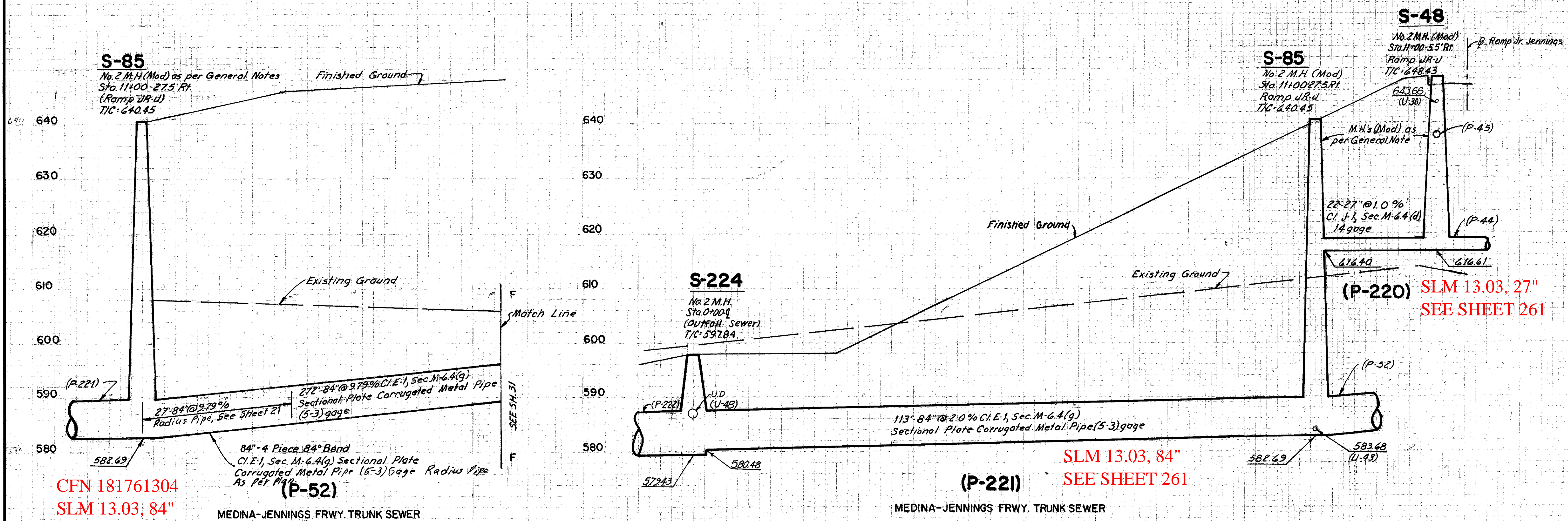


FED. RD. DIVISION	STATE	PROJECT
2	OHIO	

281
646

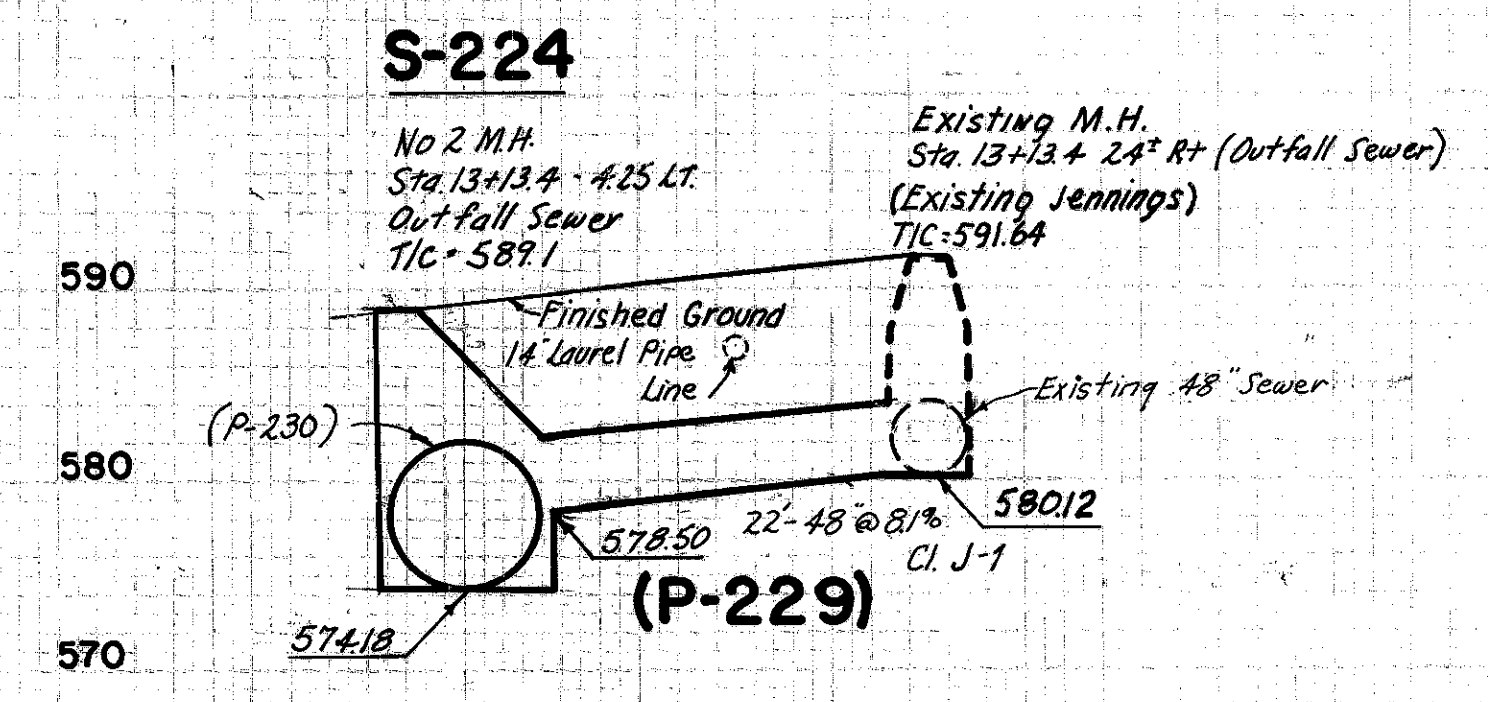
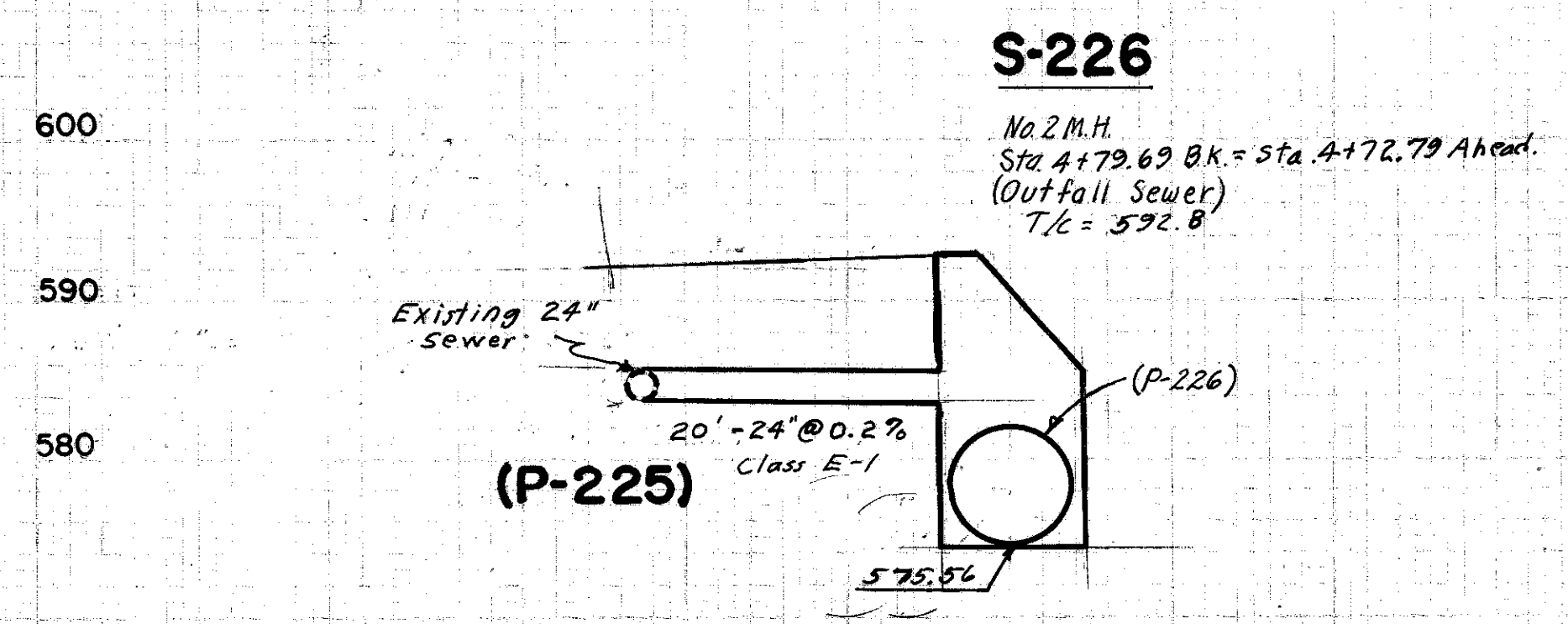
30
54

CUYAHOGA COUNTY
CUY-71-17.83
CUY-176-12.76



CFN 181761304
SLM 13.03, 84"
SEE SHEET 261 & 282

MEDINA-JENNINGS FRWY. TRUNK SEWER



Scale 1"=10' Hor. & Vert.

P-52 SEE ALSO SH. 31