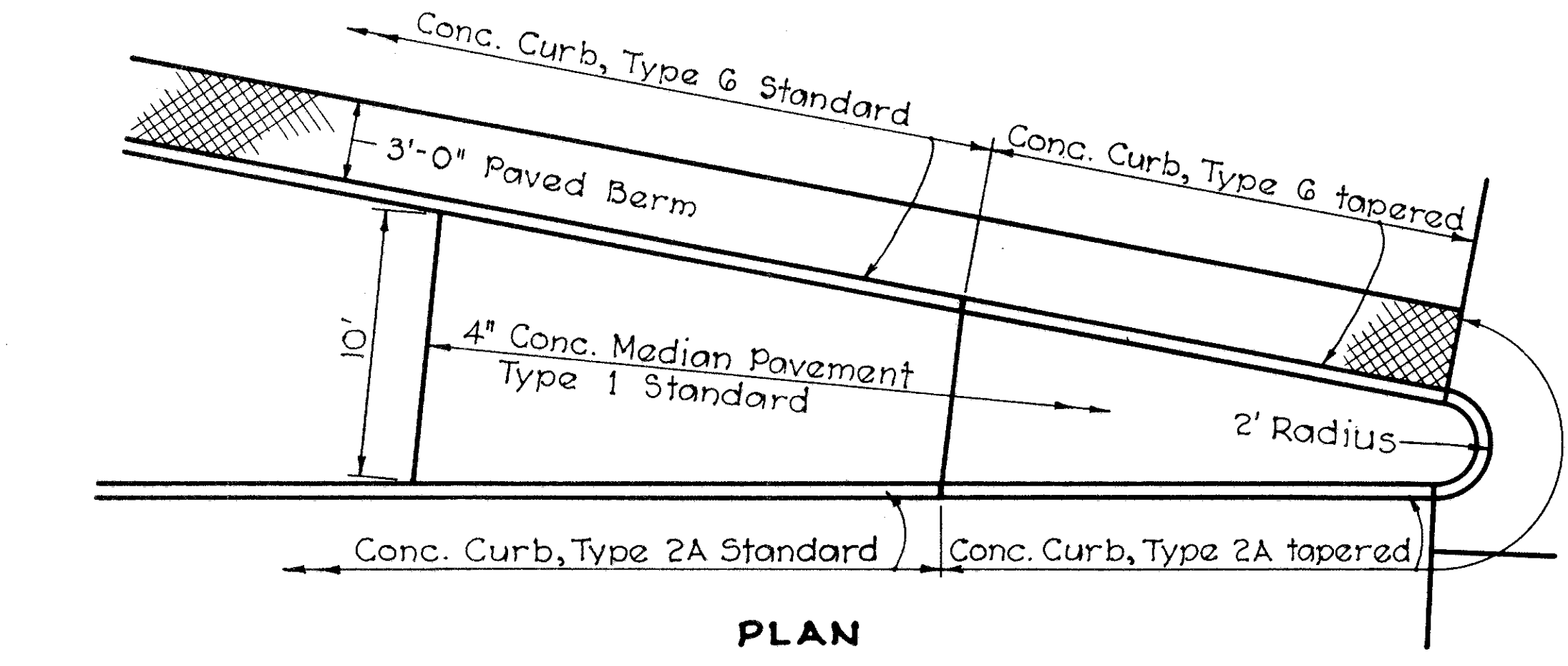
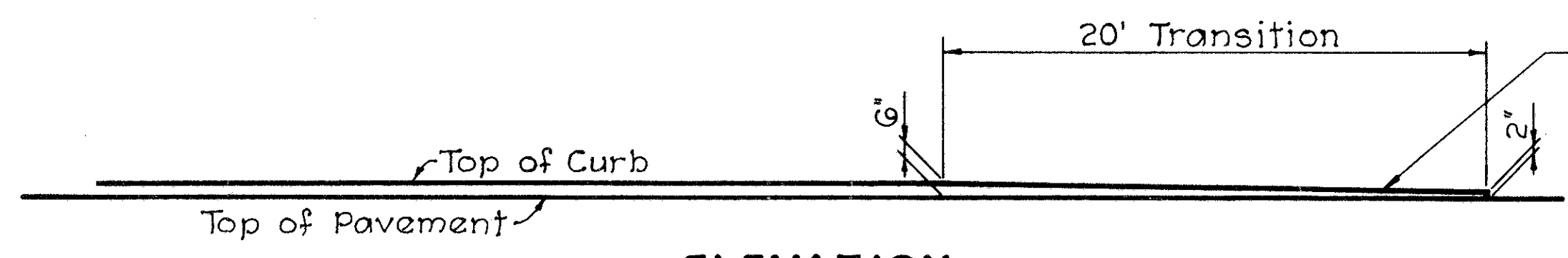


MEDINA AND CUYAHOGA COUNTIES
MED-42-26.17
CUI-42-0.00

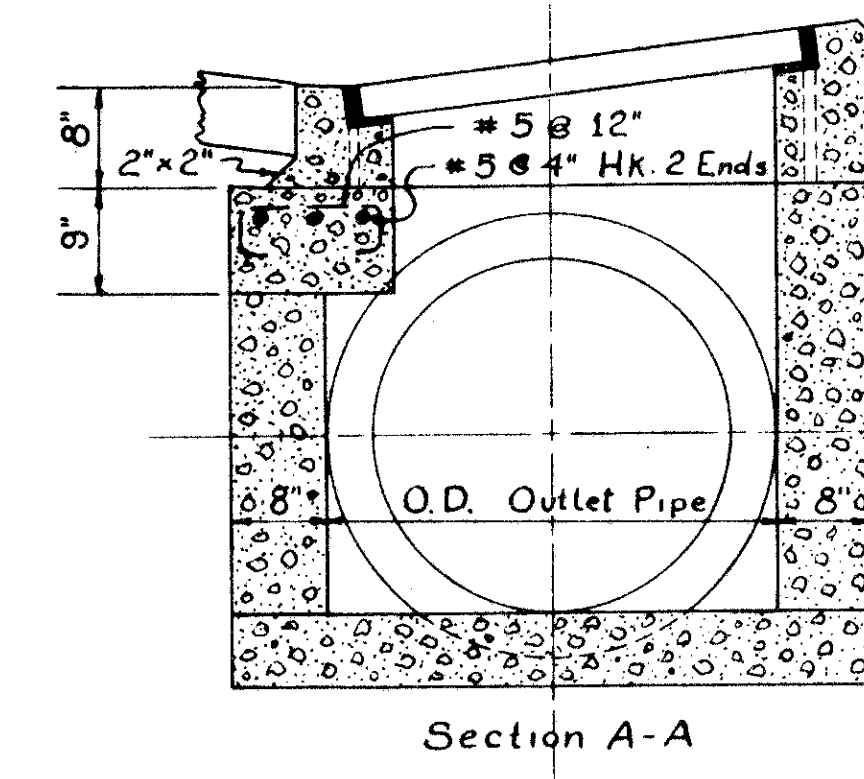
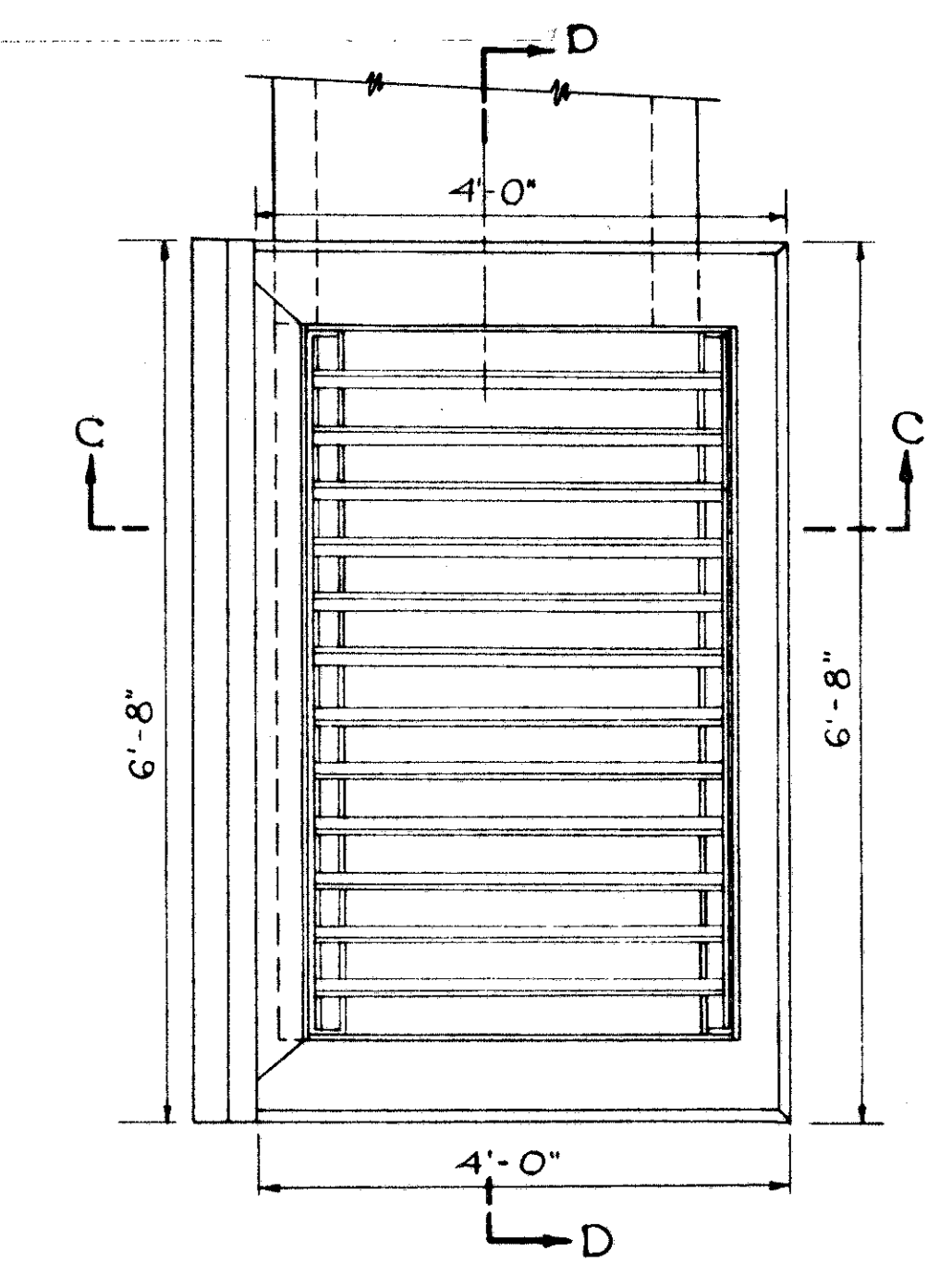
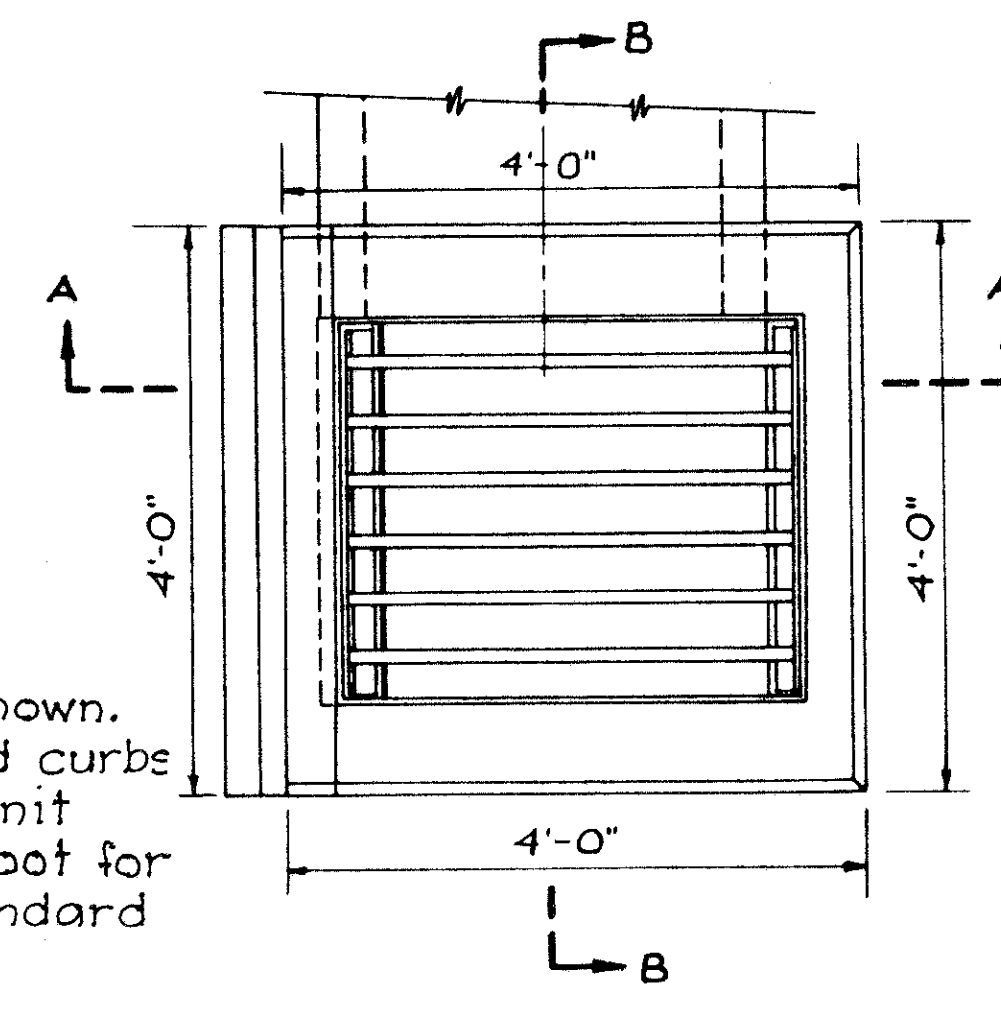


PLAN

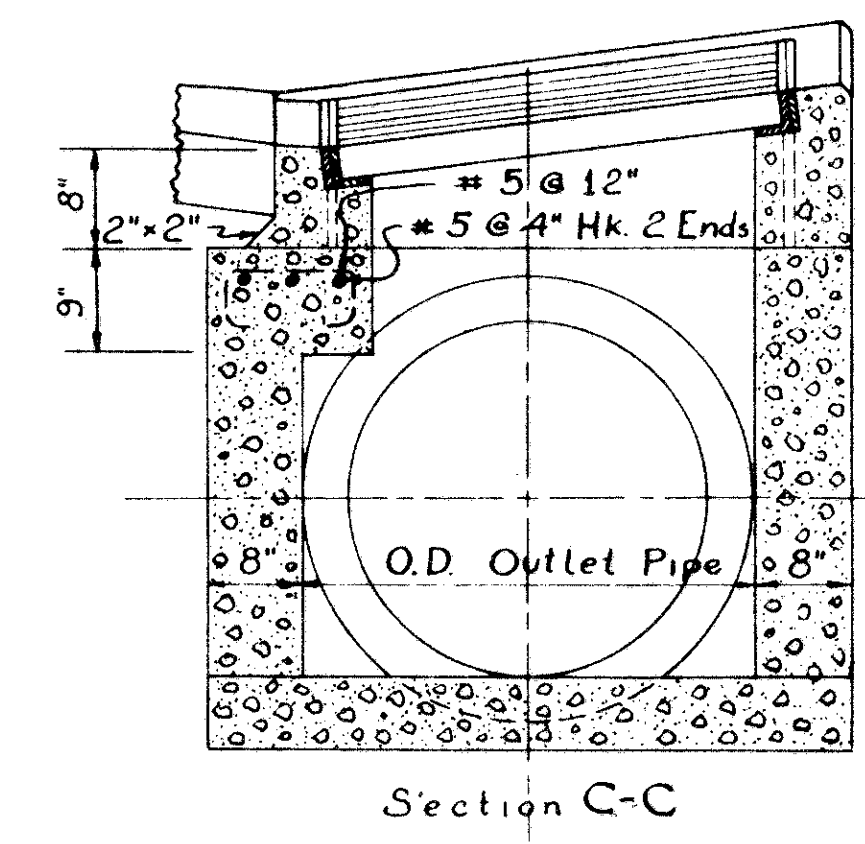


ELEVATION
NOSE DETAIL
Scale: 1" = 5'

Note: Taper nose curb as shown. Payment for the tapered curbs shall be made at the unit price bid per linear foot for Conc. Curb, Type G Standard or Type 2A Standard.



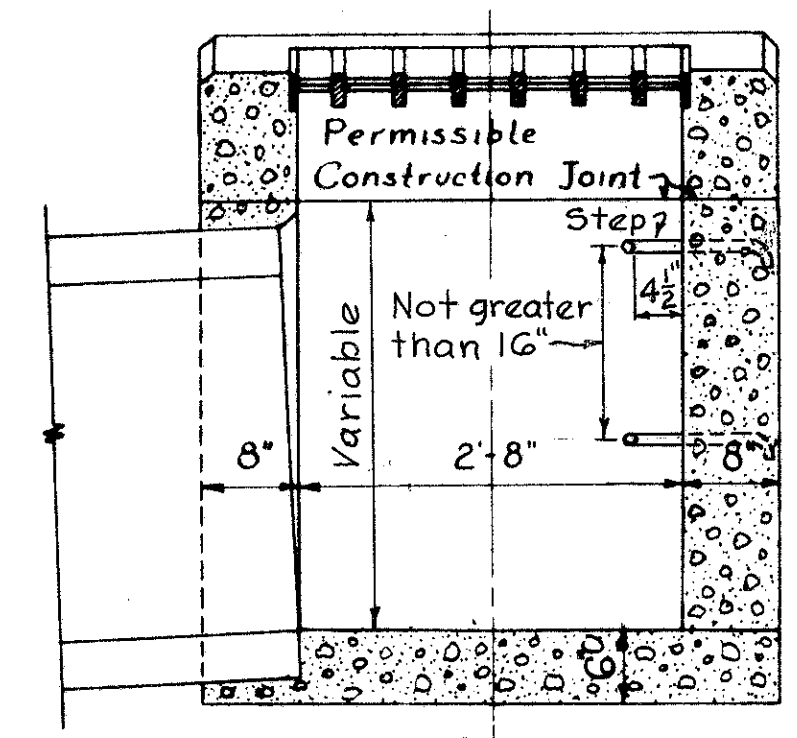
Section A-A



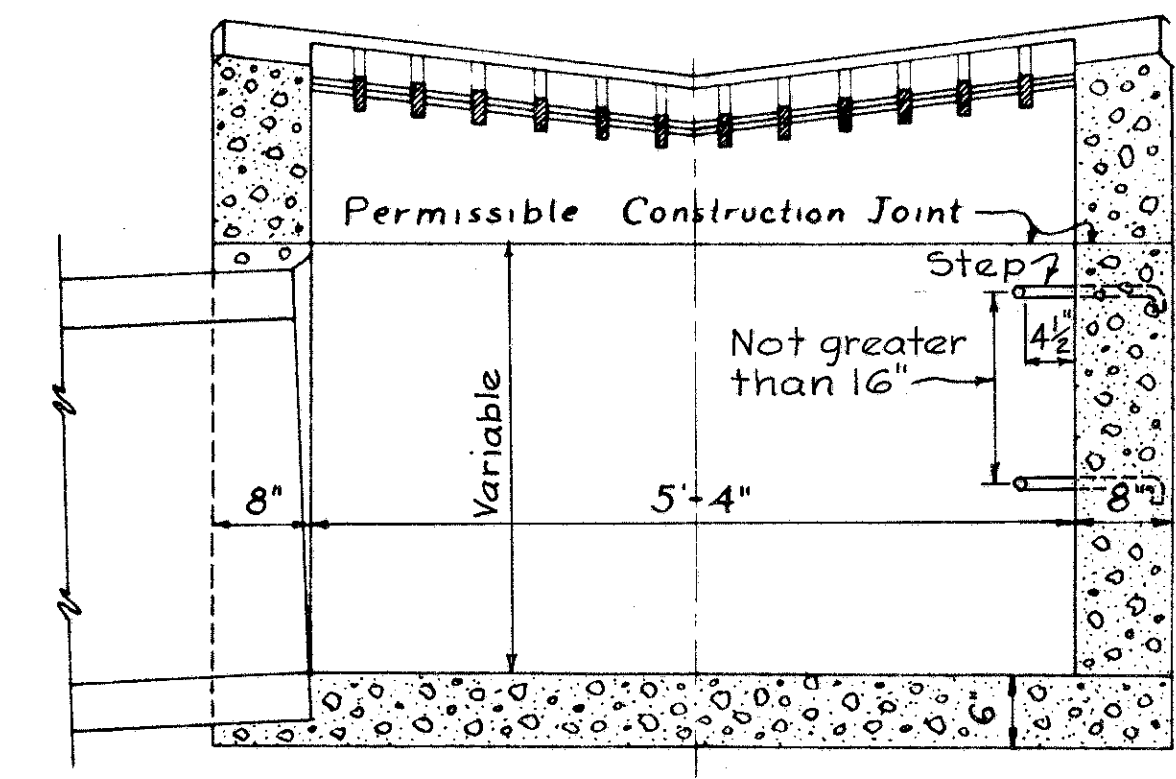
Section C-C

Note: For additional details, see Ohio Standard Construction Drawings "Catch Basins" I-8 CB. No. 5

Note: For additional details, see Ohio Standard Construction Drawings "Catch Basins" I-8 CB. No. 4



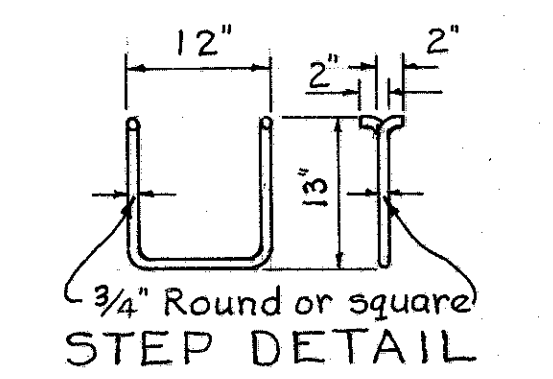
Section B-B



Section D-D

MODIFIED NO. 5
CATCH BASIN

MODIFIED NO. 4
CATCH BASIN



NOTE: Steps shall be wrought iron or nodular iron meeting the requirements of Item I-8 and shall be given one coat of paint Sec. M-9.18 or Sec. M-9.19.