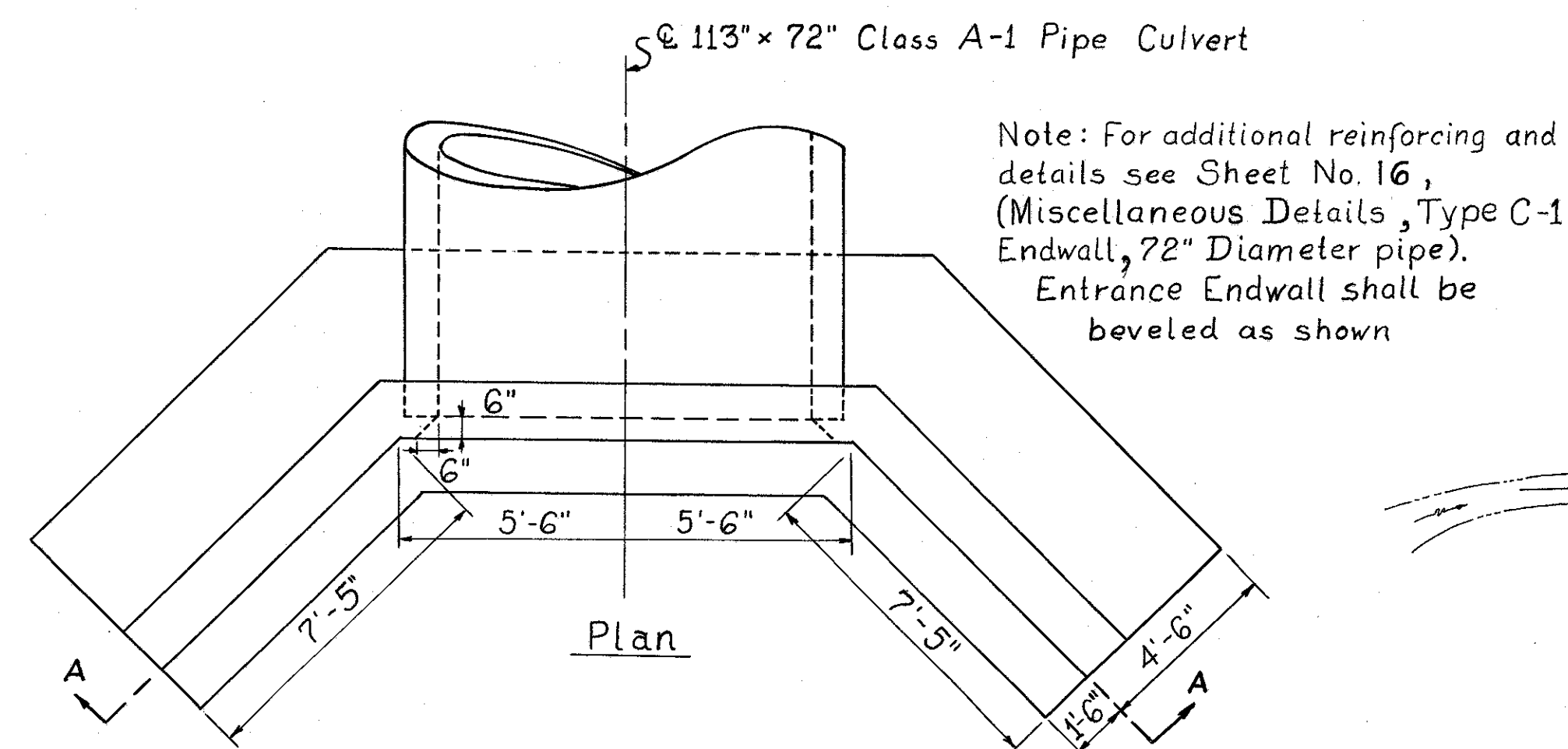
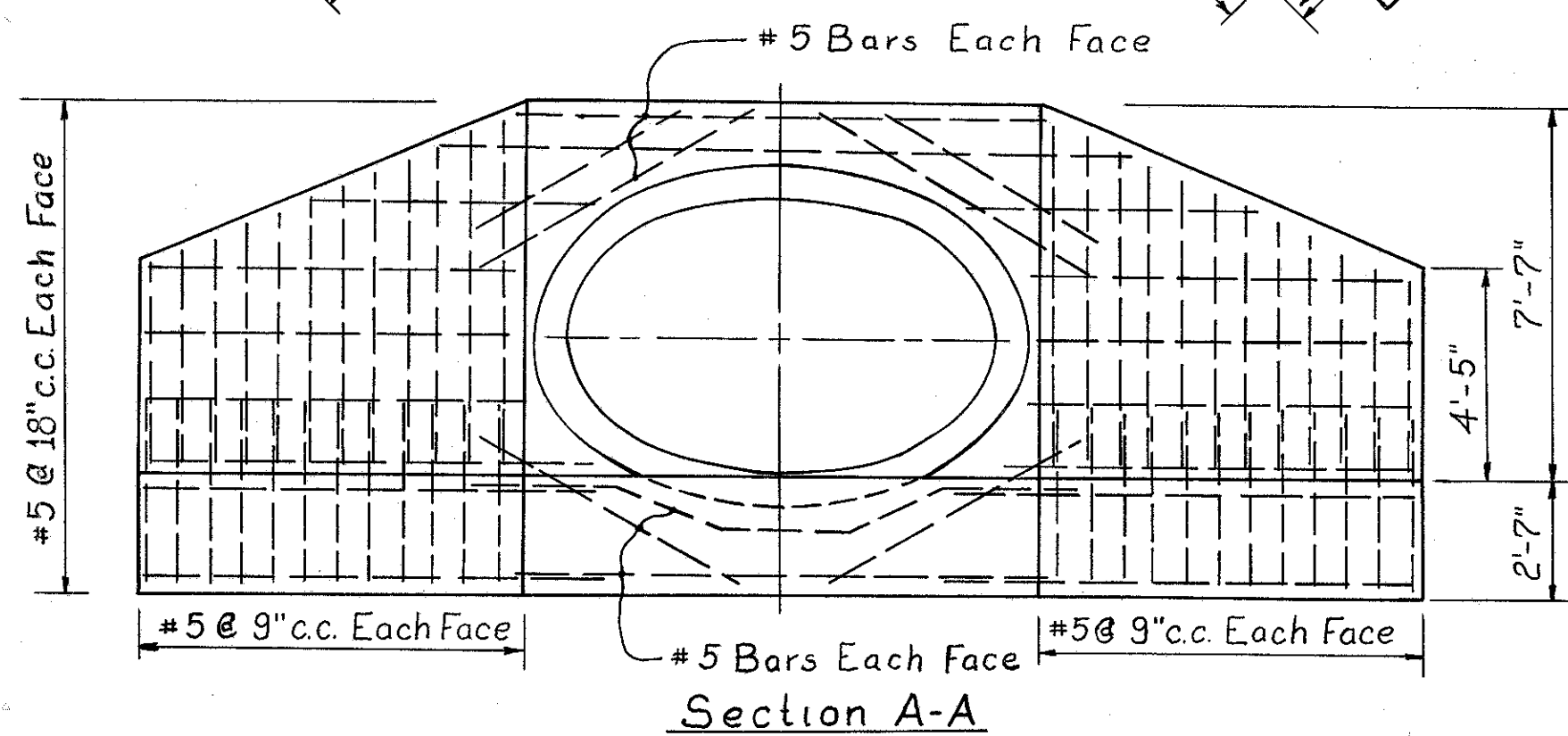


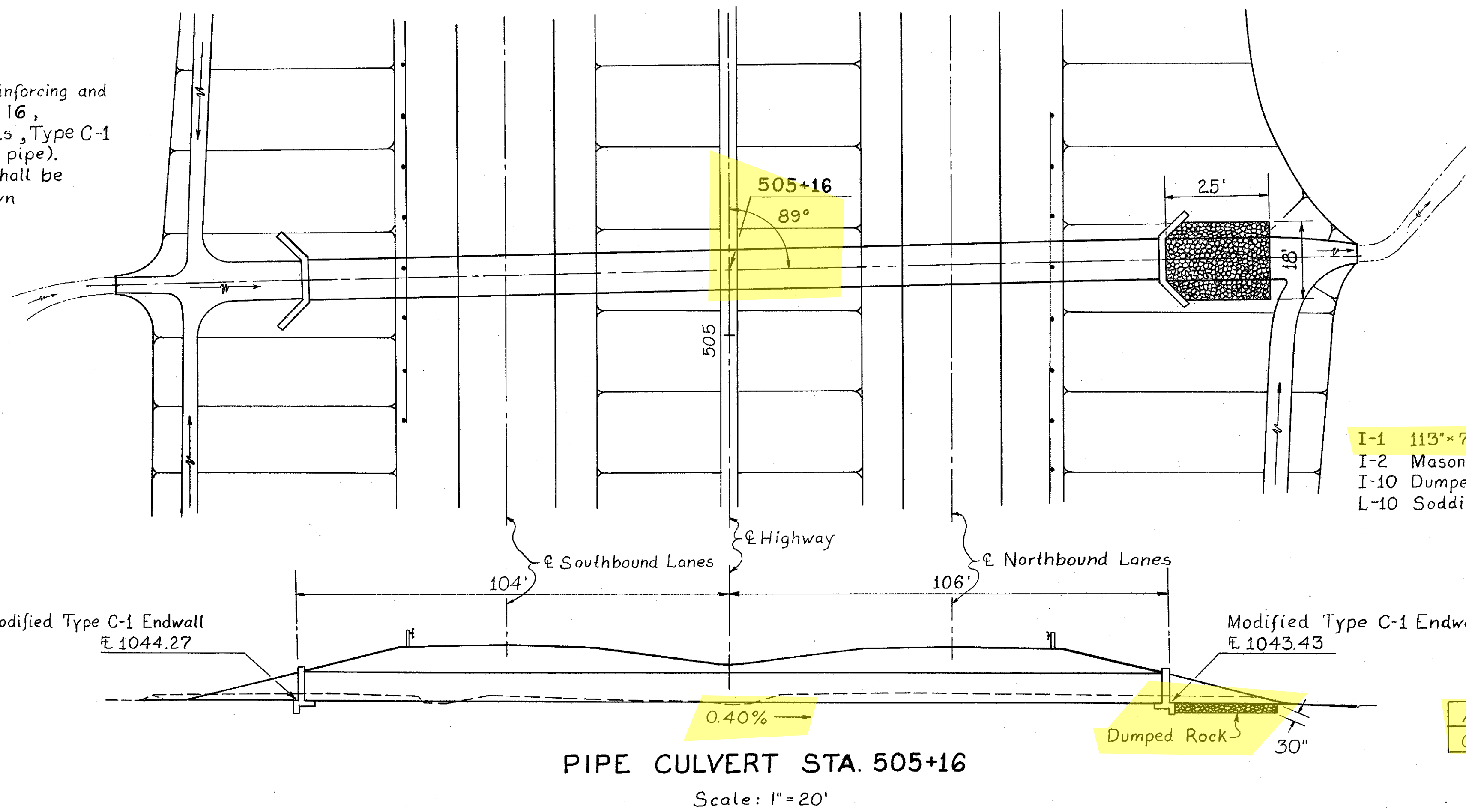
CUYAHOGA COUNTY
MED-42-26.17
CUY-42- 0.00



Note: For additional reinforcing and details see Sheet No. 16, (Miscellaneous Details, Type C-1 Endwall, 72" Diameter pipe). Entrance Endwall shall be beveled as shown



Modified Type C-1 Endwall
No Scale



ESTIMATED QUANTITIES

I-1	113" x 72" Class A-1 Pipe Sec. M-206.7(a)	210 L.F.
I-2	Masonry	38.78 C.Y.
I-10	Dumped Rock	42 C.Y.
L-10	Sodding	24 S.Y.

CFN 180710034
SLM 0.34, 113"x72"
SEE SHEET 38

Area	402 Ac.
Q ₅₀	418 cfs