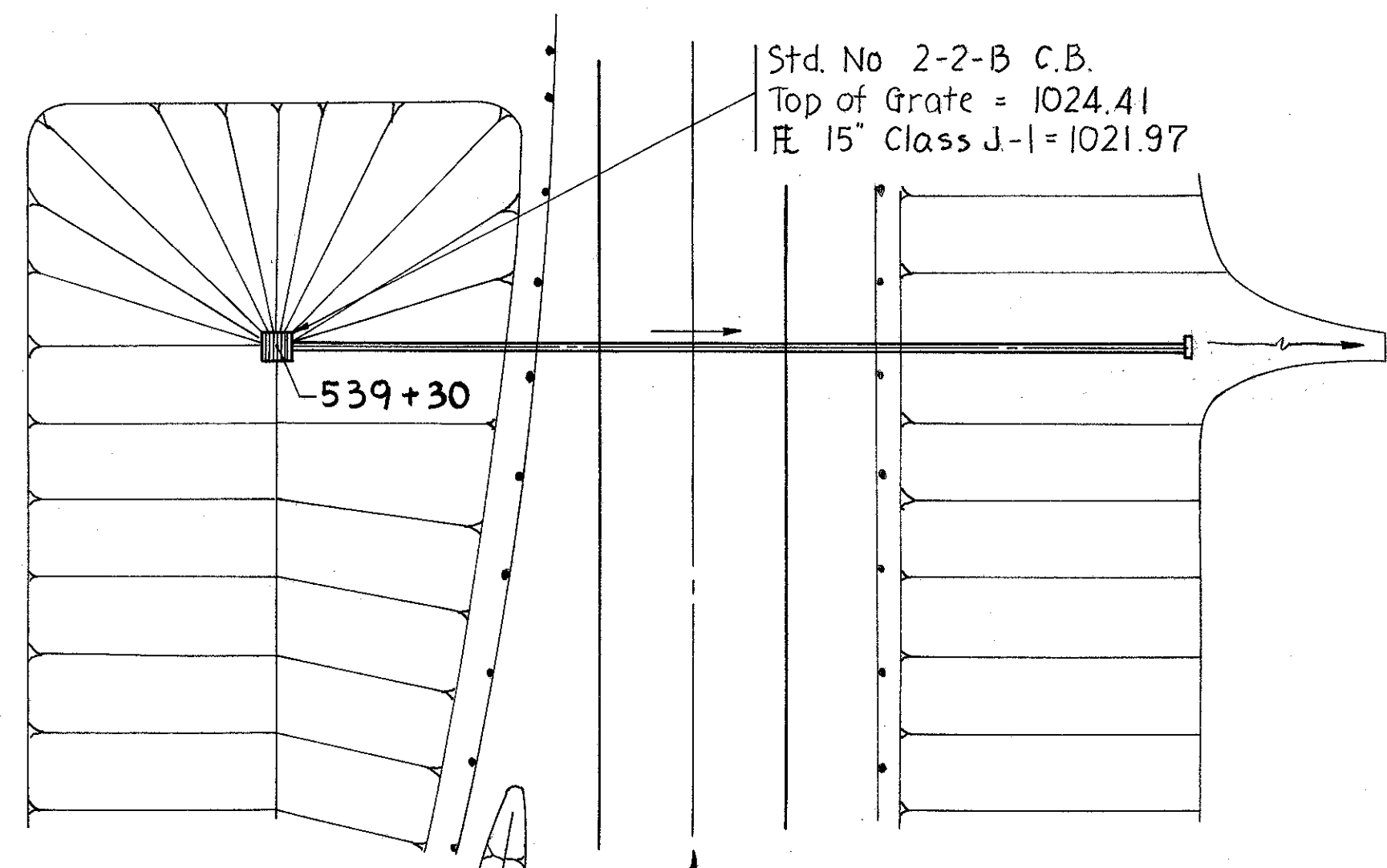


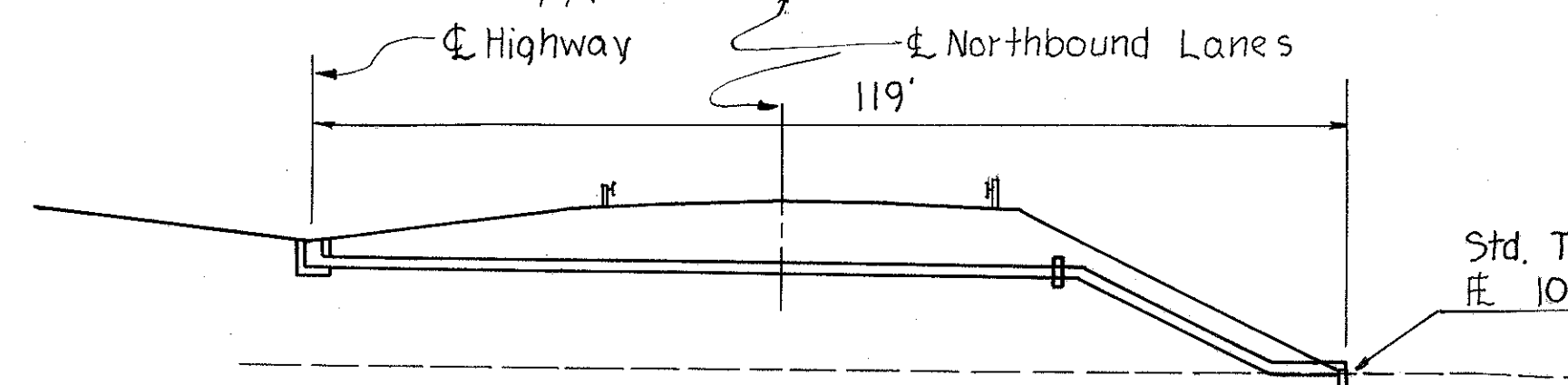
CUYAHOGA COUNTY  
MED-42-26.17  
CUY-42-000



Std. No. 2-2-B C.B.  
Top of Grate = 1024.41  
℄ 15" Class J-1 = 1021.97

ESTIMATED QUANTITIES

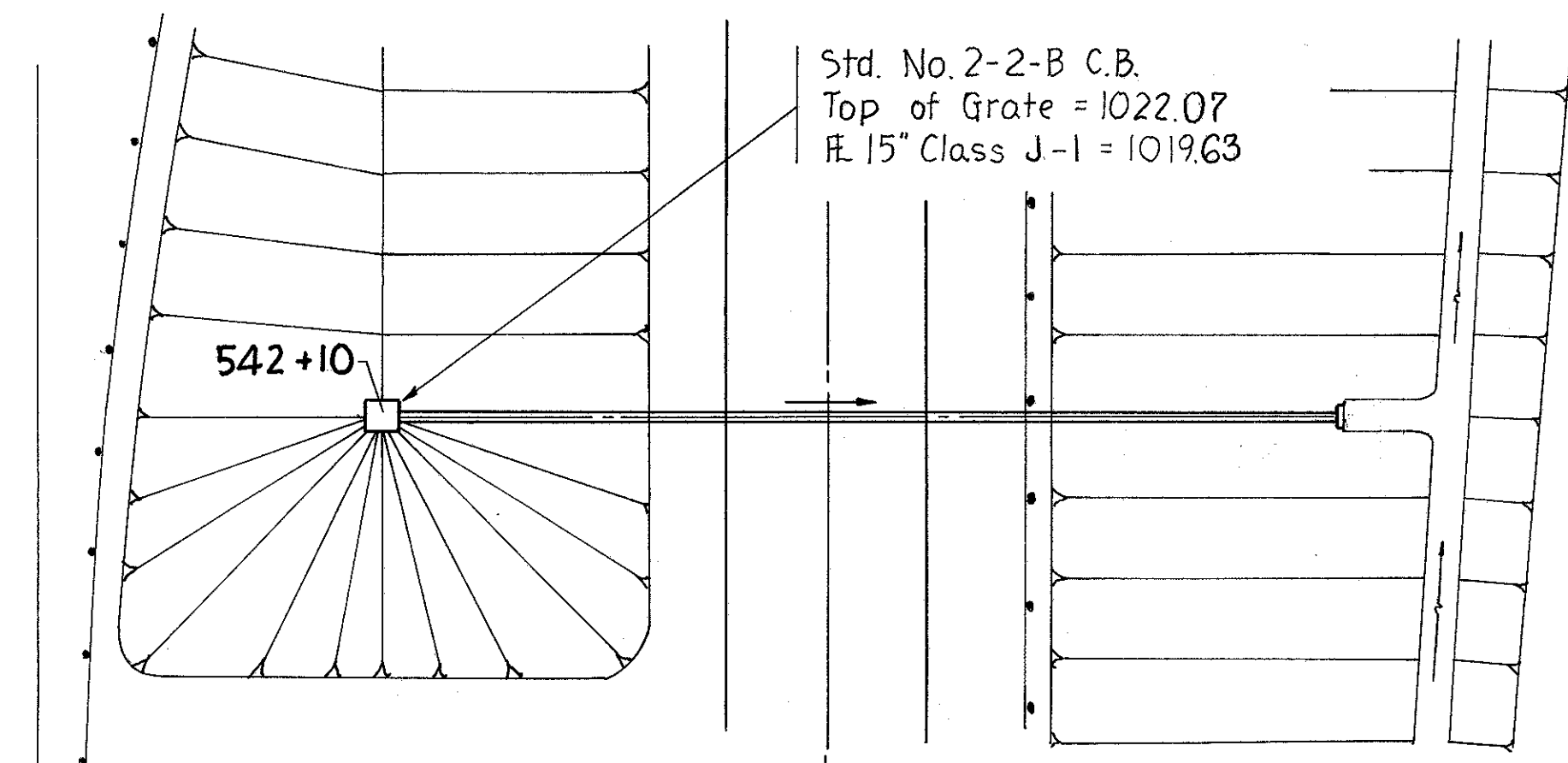
- I-1 15" Class B-1 Pipe 88 L.F.
- I-1 15" Class F-4 Pipe 36 L.F.
- I-2 Masonry 0.26 C.Y.
- I-5 15" Pipe Specials 2 Ea.
- I-8 Std. No. 2-2-B Catch Basin 1 Ea.
- L-10 Sodding 3 S.Y.



STORM SEWER STA. 539+30

SLM 0.99, 15"  
SEE SHEET 41

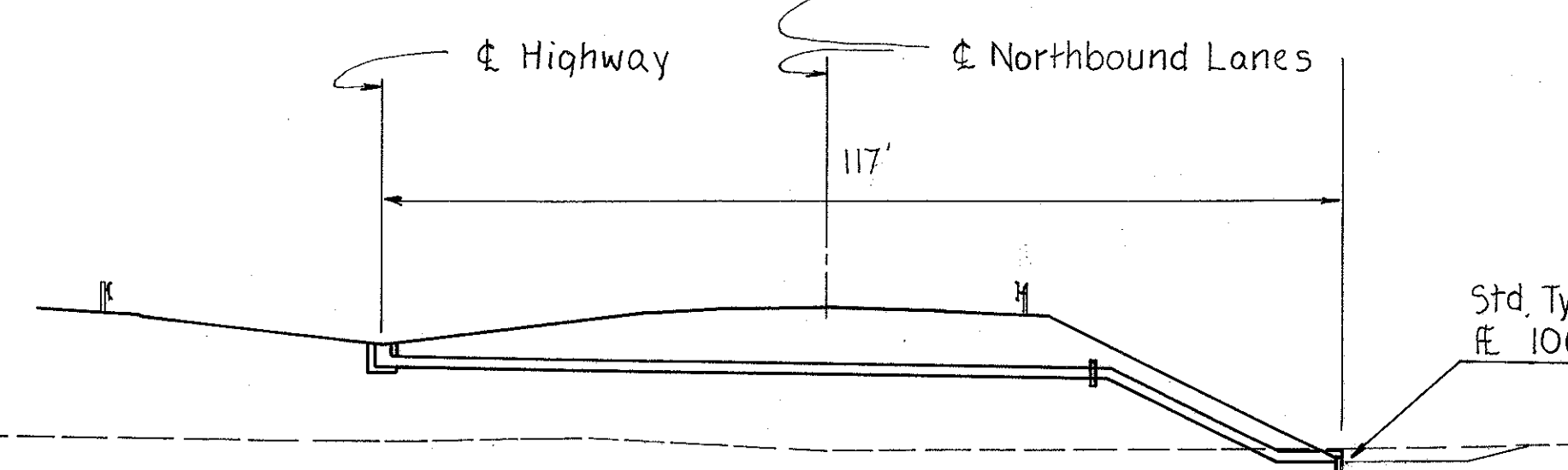
Scale: 1" = 20'



Std. No. 2-2-B C.B.  
Top of Grate = 1022.07  
℄ 15" Class J-1 = 1019.63

ESTIMATED QUANTITIES

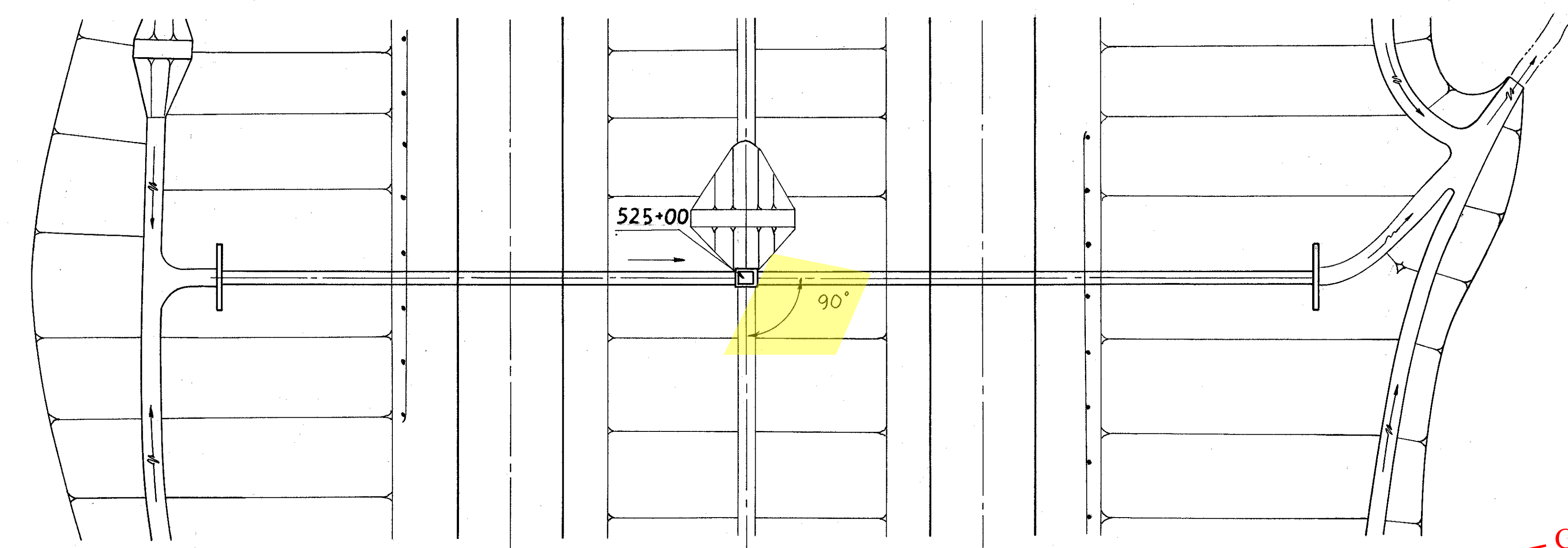
- I-1 15" Class B-1 Pipe 88 L.F.
- I-1 15" Class F-4 Pipe 34 L.F.
- I-2 Masonry 0.26 C.Y.
- I-5 15" Pipe Specials 2 Ea.
- I-8 Std. No. 2-2-B Catch Basin 1 Ea.
- L-10 Sodding 3 S.Y.



STORM SEWER STA. 542+10

SLM 1.04, 15"  
SEE SHEET 41

Scale: 1" = 20'



ESTIMATED QUANTITIES

- E-3 Channel Excavation 5 C.Y.
- I-1 36" Class A-1 Pipe Sec. M.G.6(b), M.G.8(b) 252 L.F.
- I-2 Masonry 10.02 C.Y.
- I-8 Std. No. 4 Catch Basin Modified 1 Ea.
- L-10 Sodding 19 S.Y.

CFN 180710072  
SLM 0.72, 36"  
SEE SHEET 40

CFN 180710073  
SLM 0.72, 36"  
SEE SHEET 40

Area	15.8 Ac.
Q <sub>50</sub>	50 c.f.s.

Type A-1 Endwall  
℄ 1026.77

Type A-1 Endwall  
℄ 1024.50

Sta. No. 4 Catch Basin - Modified  
Top of Grade = 1036.35  
℄ 36" = 1025.87 in  
= 1025.67 out

PIPE CULVERT STA. 525+00

Scale: 1" = 20'