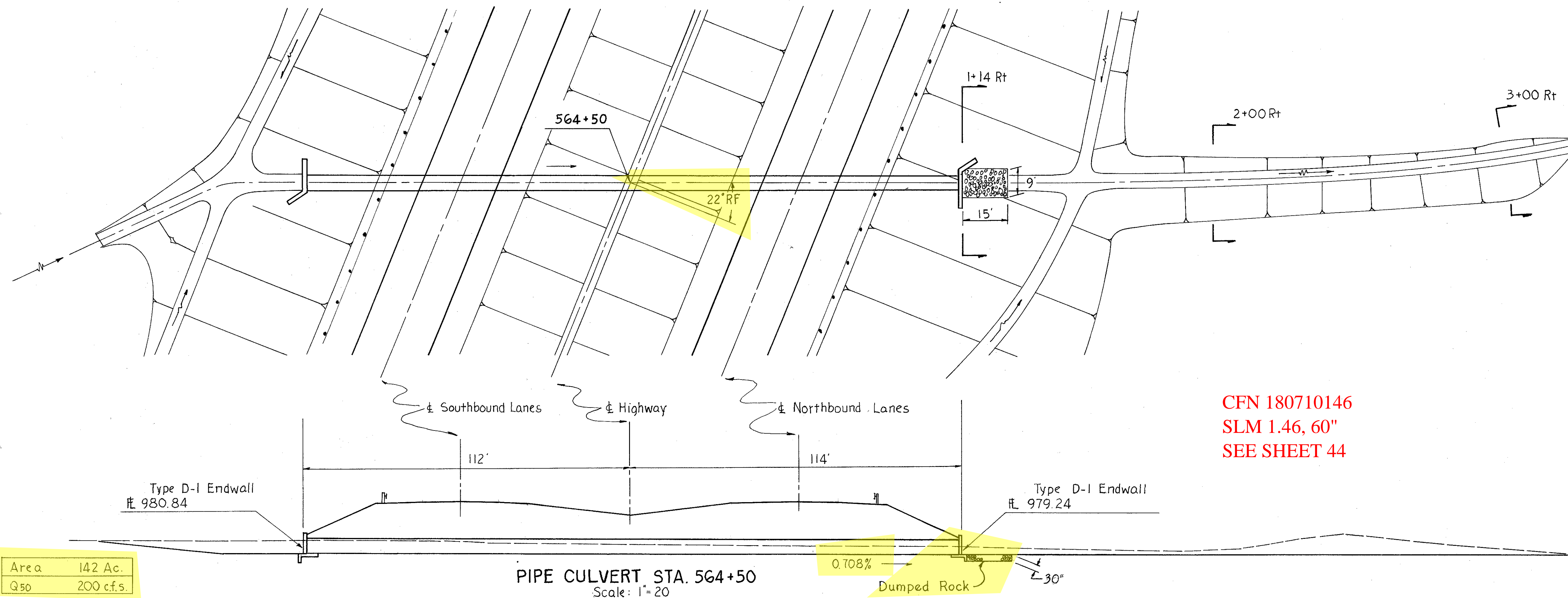


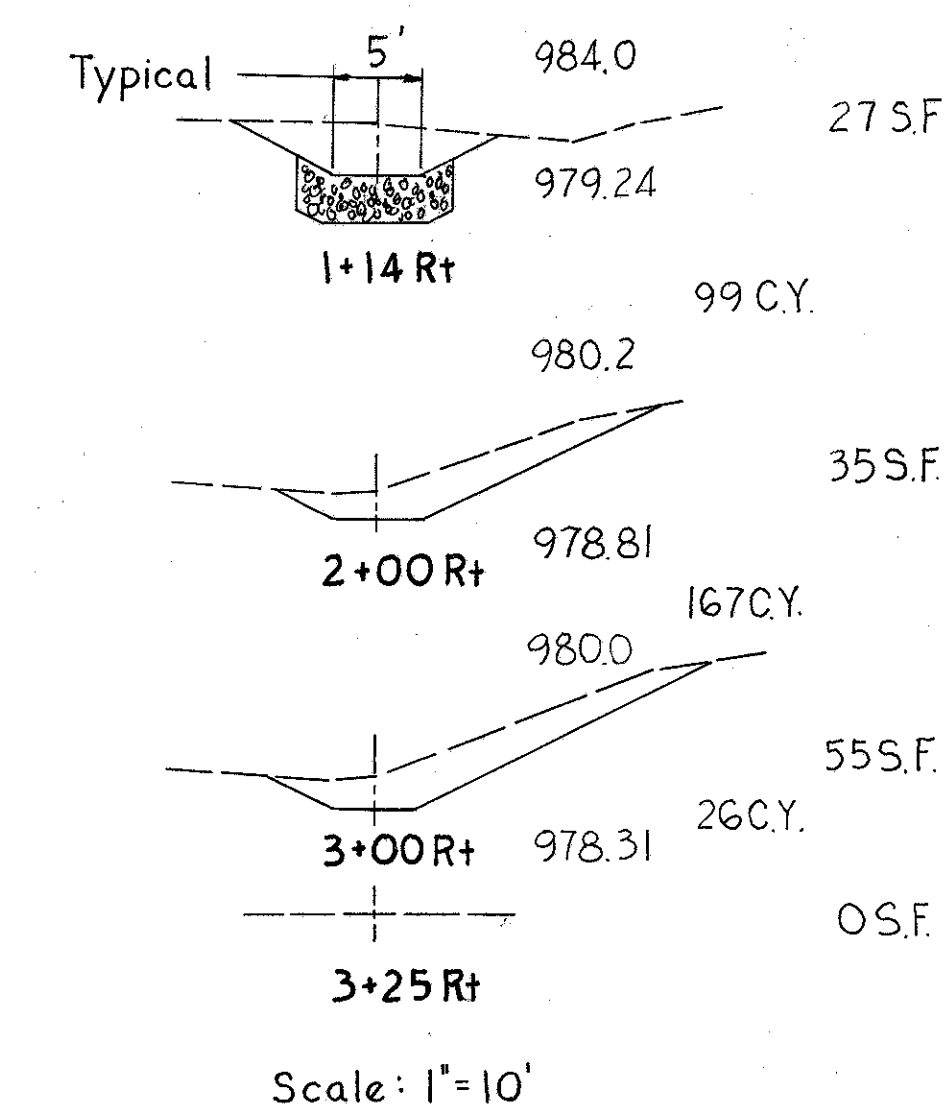
CUYAHOGA COUNTY
MED-42-26.17
CUY-42-000

ESTIMATED QUANTITIES

I-1 60" Class A-1 Pipe M 6.6(b)	226 L.F.
E-3 Channel Excavation	292 C.Y.
L-10 Sodding	205 Y.
I-2 Masonry	21.58 C.Y.
L-10 Dumped Rock	12 C.Y.



CFN 180710146
SLM 1.46, 60"
SEE SHEET 44

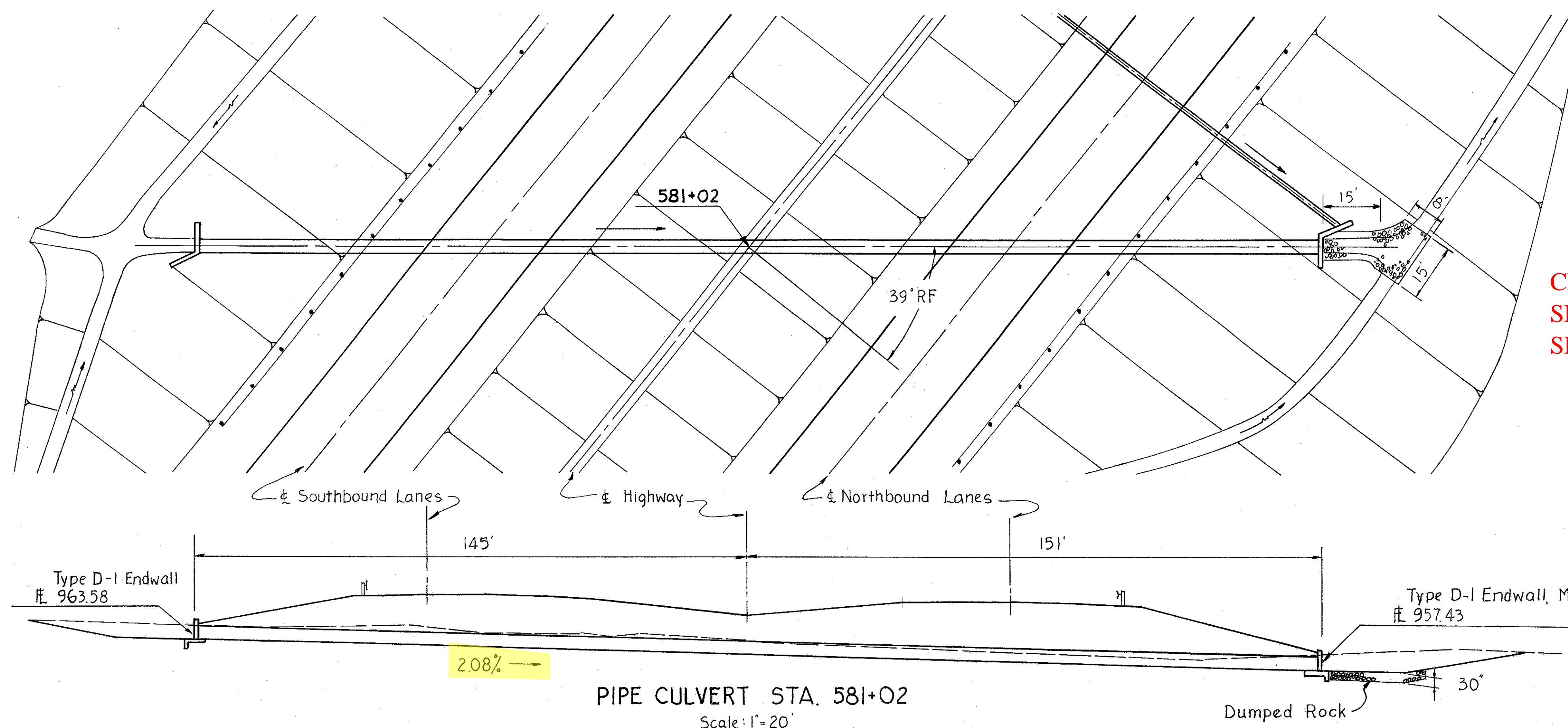


Area	142 Ac.
Q50	200 c.f.s.

PIPE CULVERT STA. 564+50
Scale: 1"=20'

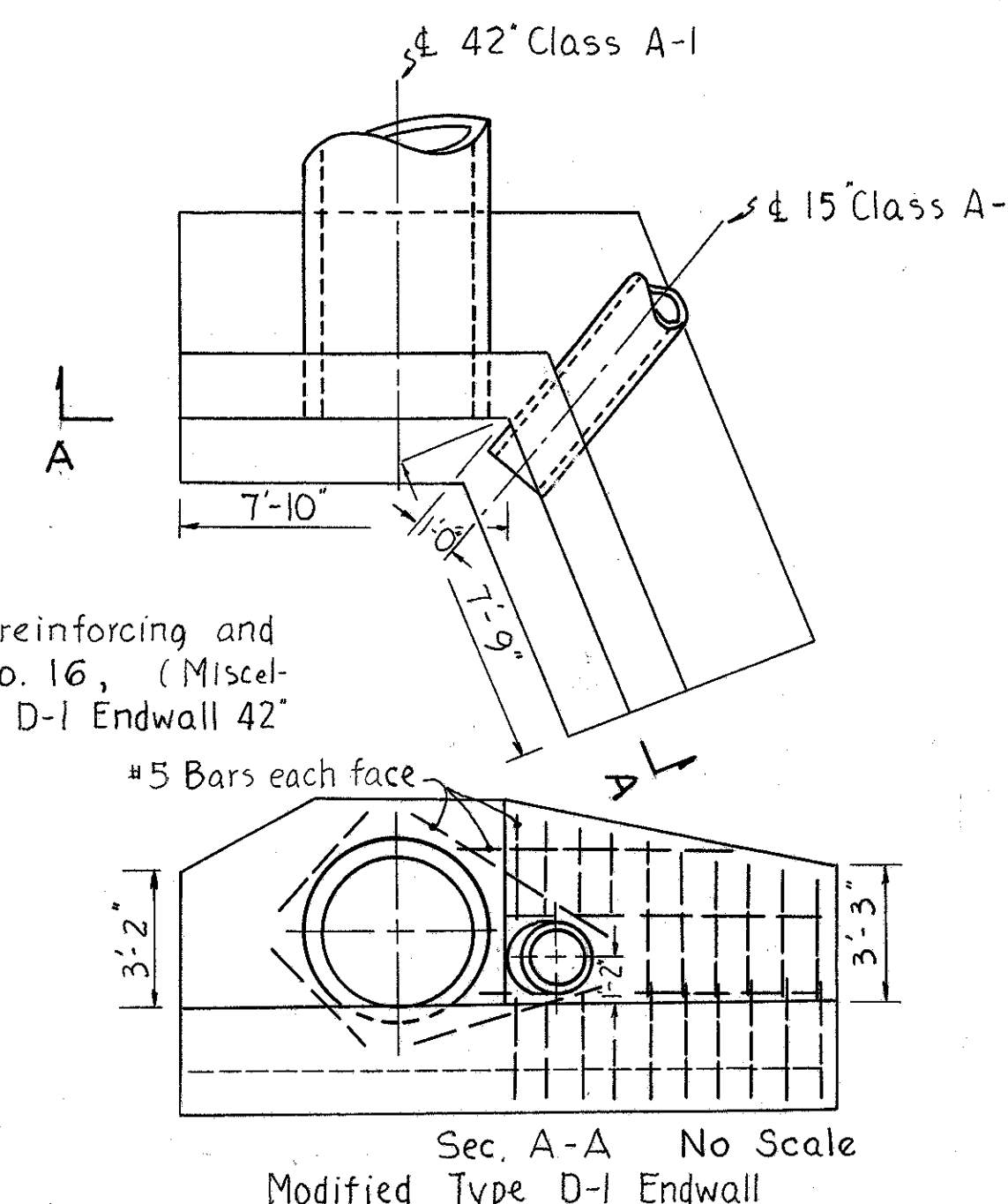
ESTIMATED QUANTITIES

I-1 42" Class A-1 M 6.6(b)	296 L.F.
L-10 Sodding	16 S.Y.
I-2 Masonry	17.42 C.Y.
L-10 Dumped Rock	22 C.Y.



CFN 180710178
SLM 1.78, 42"
SEE SHEET 45

Note: For additional reinforcing and details see Sheet No. 16, (Miscellaneous Details) Type D-1 Endwall 42" Diameter pipe



Area	41.2 Ac.
Q50	91 c.f.s.

PIPE CULVERT STA. 581+02
Scale: 1"=20'