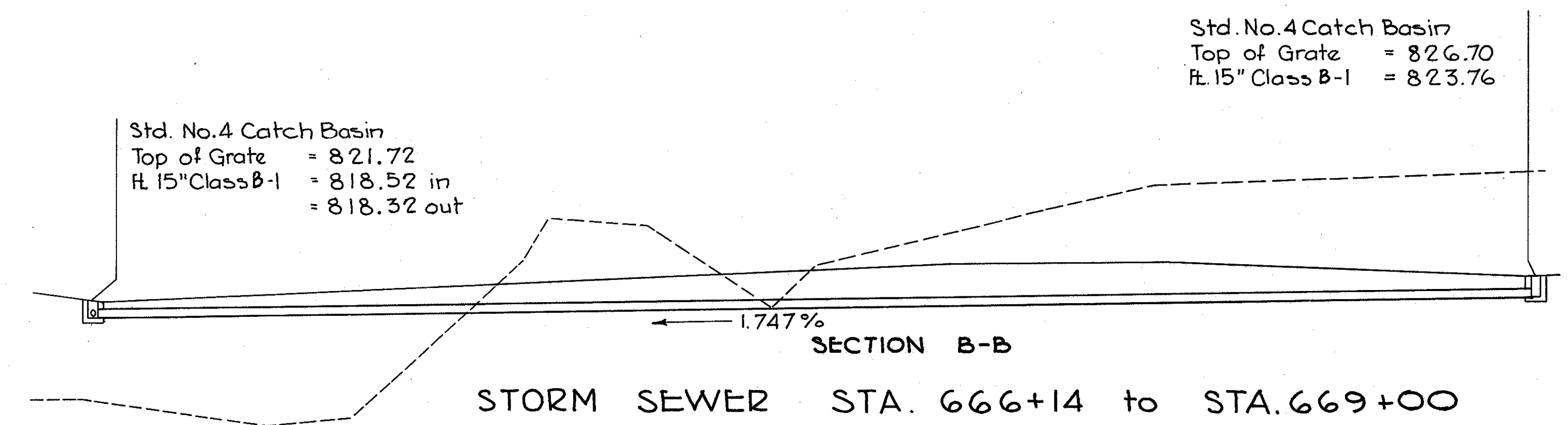


ESTIMATED QUANTITIES

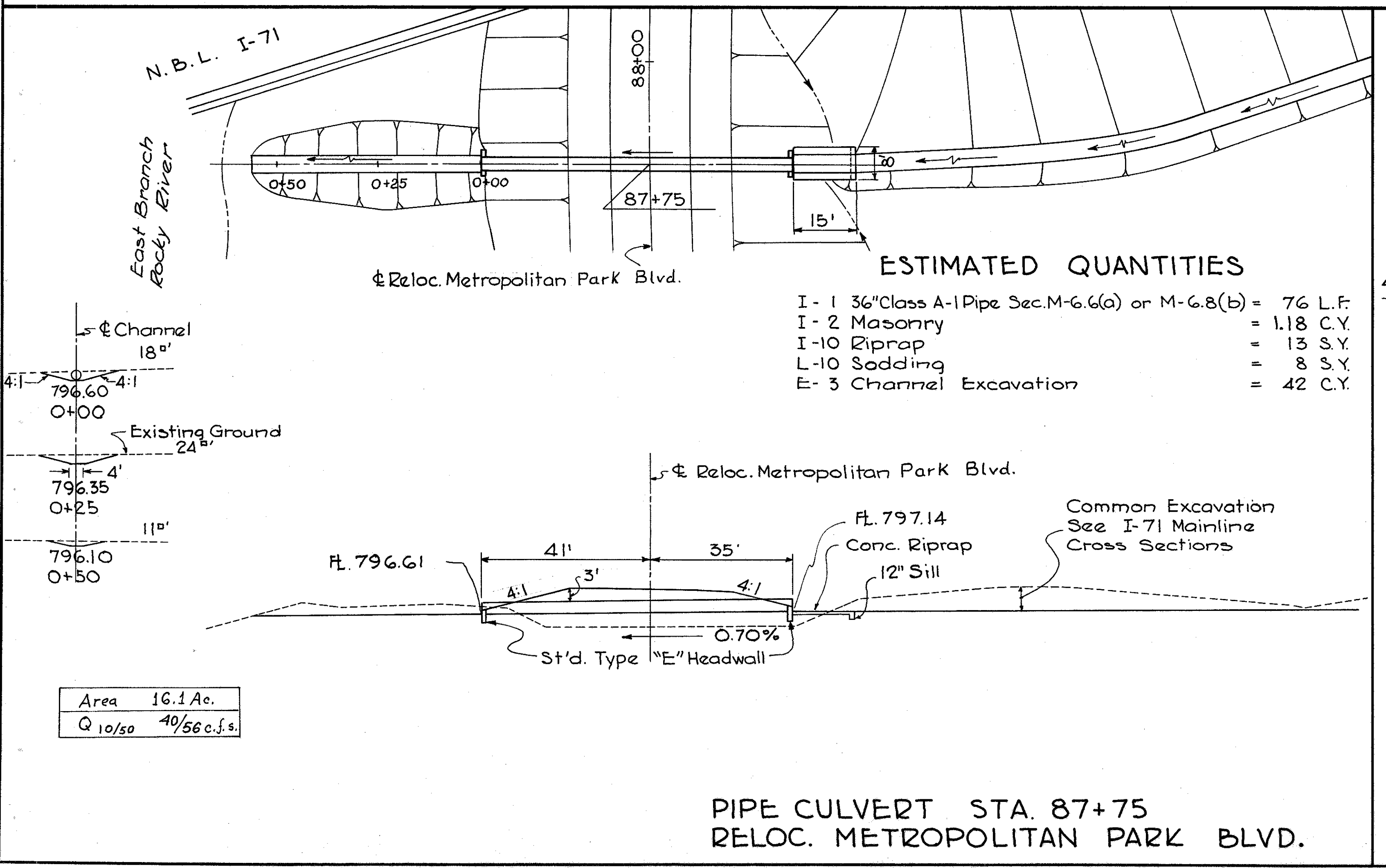
| | |
|---------------------------|-------------|
| I-1 15" Class B-1 Pipe | = 372 L.F. |
| 15" Class F-4 Pipe | = 52 L.F. |
| I-2 Masonry | = 0.26 C.Y. |
| I-5 15" Pipe Specials | = 2 Ea. |
| I-8 Std. No.4 Catch Basin | = 2 Ea. |
| I-10 Dumped Rock | = 2 C.Y. |
| L-10 Sodding | = 3 S.Y. |



Std. No.4 Catch Basin
Top of Grate = 821.72
Fl. 15" Class B-1 = 818.52 in
= 818.32 out

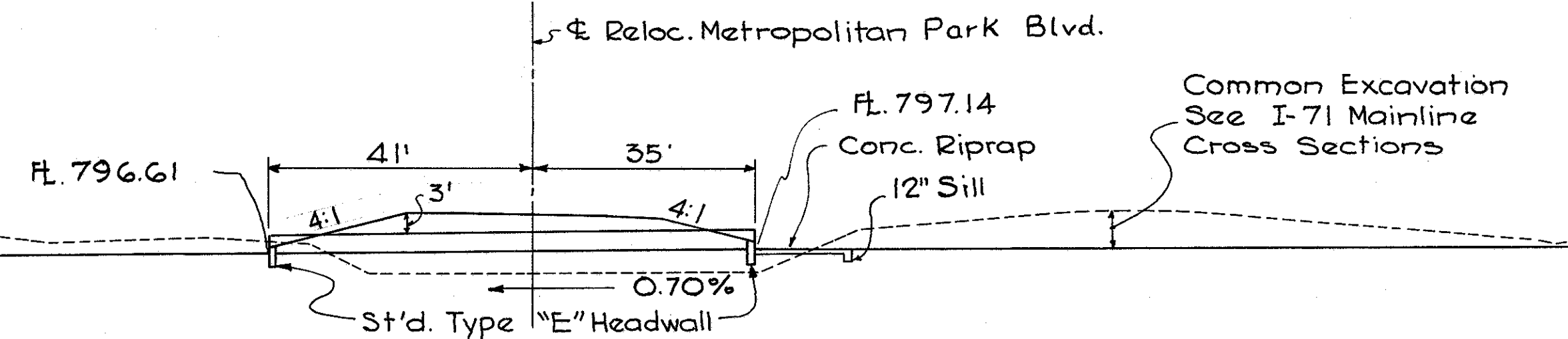
Std. No.4 Catch Basin
Top of Grate = 826.70
Fl. 15" Class B-1 = 823.76

STORM SEWER STA. 666+14 to STA. 669+00



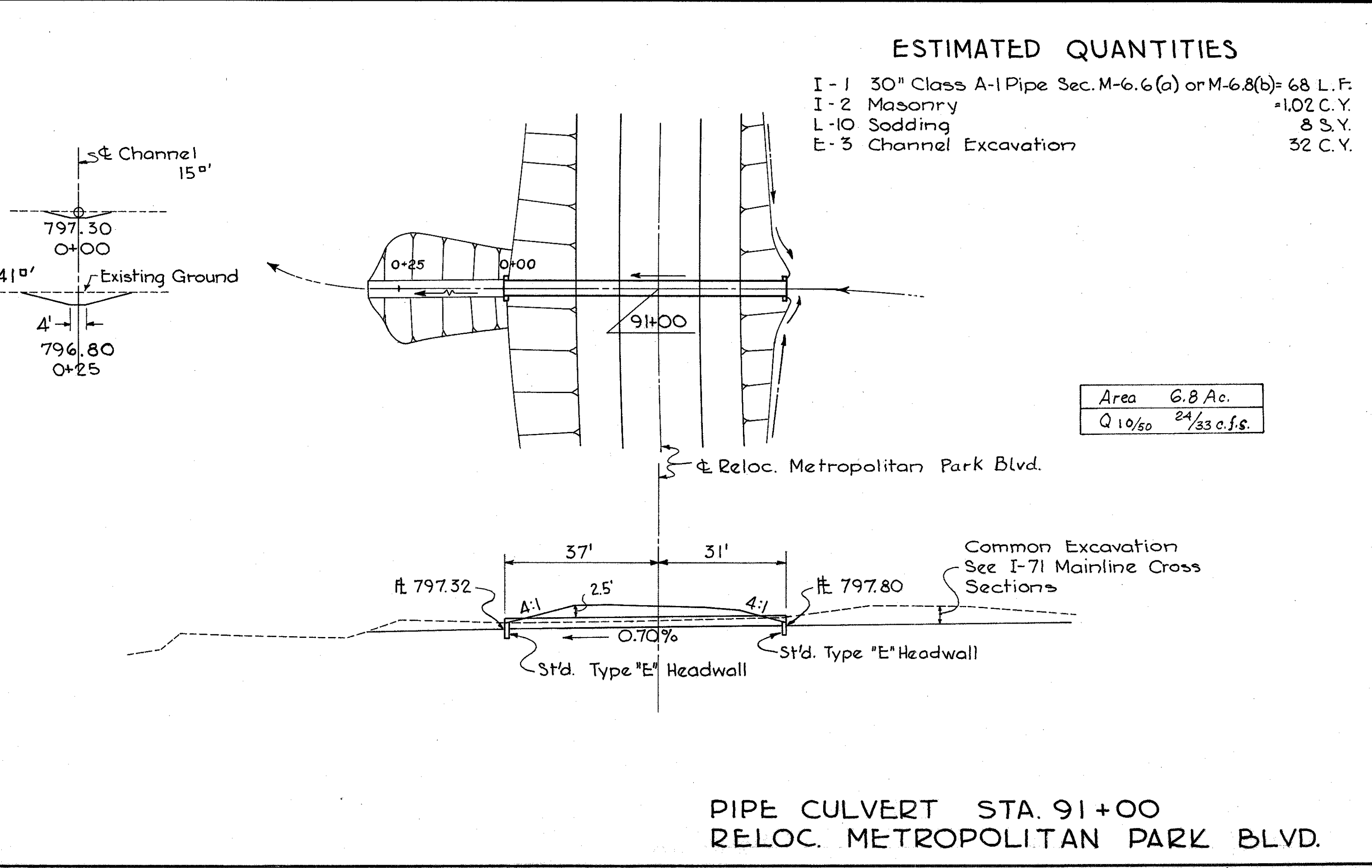
ESTIMATED QUANTITIES

| | |
|--|-------------|
| I-1 36" Class A-1 Pipe Sec. M-6.6(a) or M-6.8(b) | = 76 L.F. |
| I-2 Masonry | = 1.18 C.Y. |
| I-10 Riprap | = 13 S.Y. |
| L-10 Sodding | = 8 S.Y. |
| E-3 Channel Excavation | = 42 C.Y. |



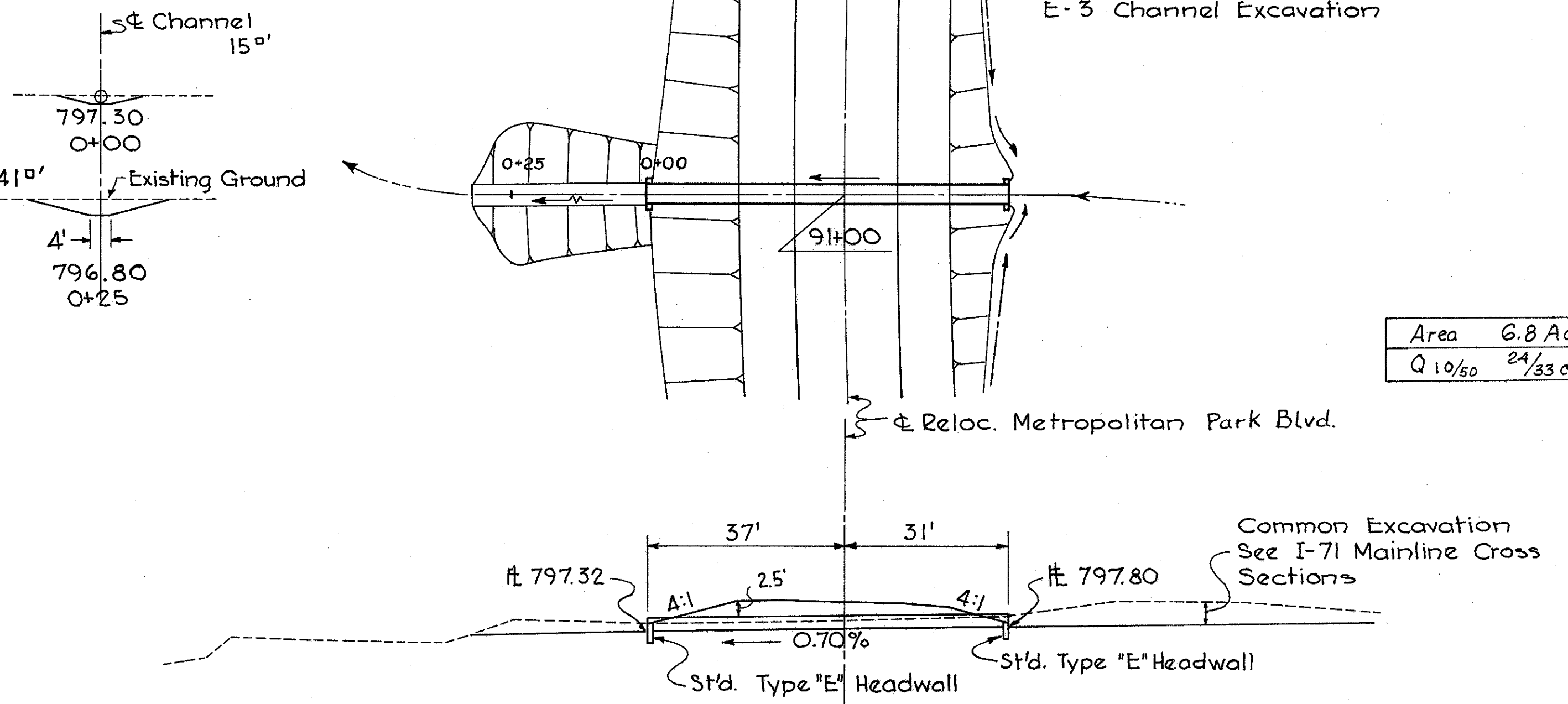
| | |
|---------|--------------|
| Area | 16.1 Ac. |
| Q 10/50 | 40/56 c.f.s. |

PIPE CULVERT STA. 87+75
RELOC. METROPOLITAN PARK BLVD.



ESTIMATED QUANTITIES

| | |
|--|-------------|
| I-1 30" Class A-1 Pipe Sec. M-6.6(a) or M-6.8(b) | = 68 L.F. |
| I-2 Masonry | = 1.02 C.Y. |
| L-10 Sodding | = 8 S.Y. |
| E-3 Channel Excavation | = 32 C.Y. |



| | |
|---------|--------------|
| Area | 6.8 Ac. |
| Q 10/50 | 24/33 c.f.s. |

PIPE CULVERT STA. 91+00
RELOC. METROPOLITAN PARK BLVD.