

FED. RD. DIVISION	STATE	PROJECT
2	OHIO	I-71-5(15)233

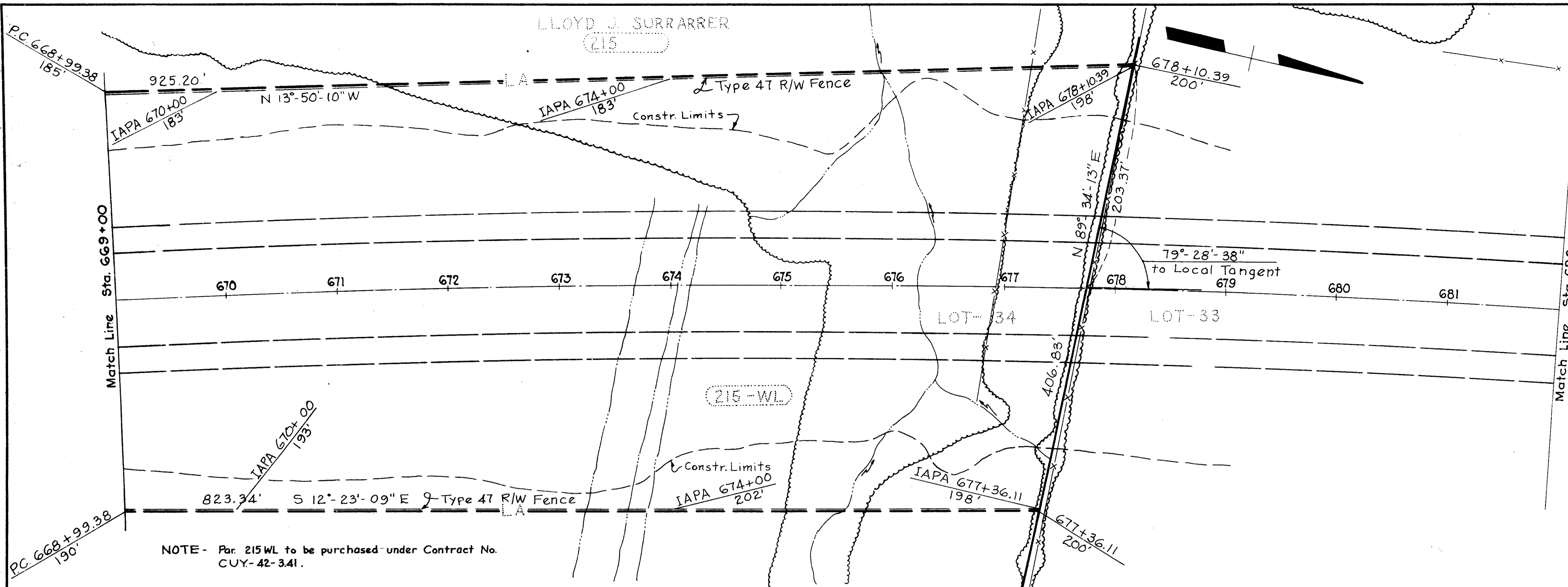
295  
302

CUYAHOGA COUNTY  
MED. - 42 - 26.63  
CUY. - 42 - 0.00  
LIMITED ACCESS  
SCALE: 1" = 50'  
SOLD AS MED/CUY-42-26.17/0.00

22  
29

CITY OF STRONGSVILLE  
Lots, No. 34 and 33  
T-5N R-14W

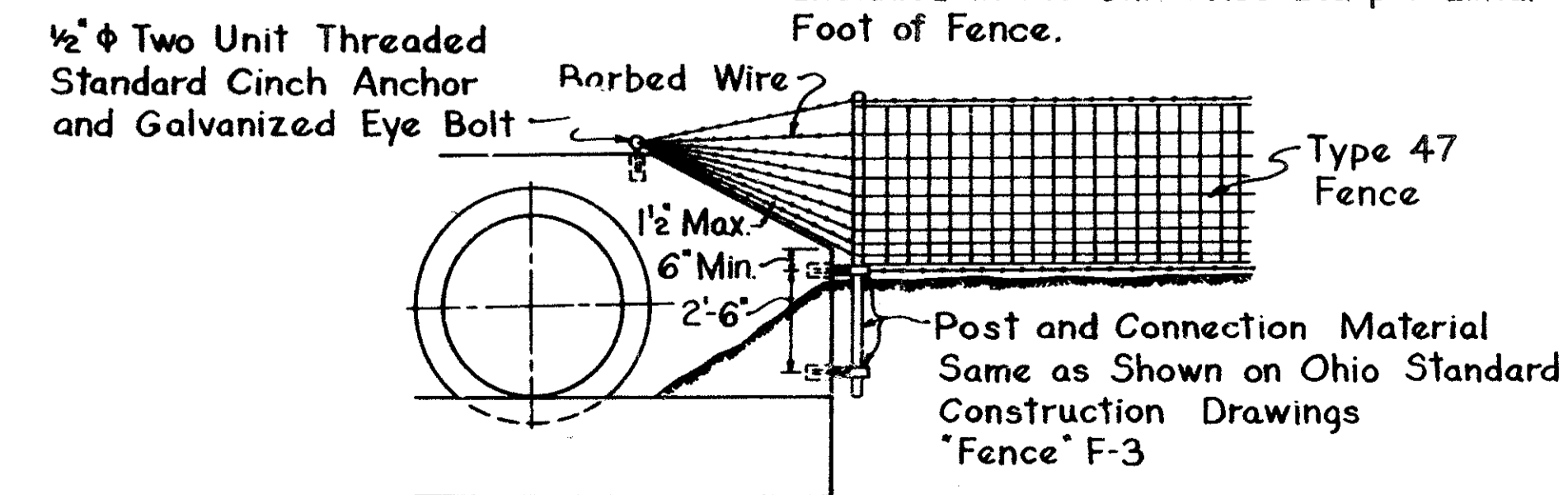
ESTIMATED QUANTITIES  
I-25 Woven Wire Fence, Type 47-1,748 Ft.



NOTE - Par. 215 WL to be purchased under Contract No. CUY-42-341.

Curve Data  
P.C. 668+99.38  
P.T. 694+25.27  
 $\Delta = 11^\circ - 47' - 15''$   
 $D_c = 00^\circ - 28' - 00''$   
 $R = 12,277.67'$   
 $T = 1,267.42'$   
 $L = 2,525.89'$   
 $E = 65.24'$

Note:  
The Cost of Furnishing and Installing Barbed Wire, Connecting Bands, Angles, Bolts, Cinch Anchors, etc., Shall be Included in the Unit Price Bid per Linear Foot of Fence.



**SPECIAL FENCE DETAIL HEADWALL CONNECTION**

SUMMARY-FENCE QUANTITIES					
Sheet No.	Sta. to Sta.	L.F.	Sheet No.	Sta. to Sta.	L.F.
9	457+00 484+00	660	16	572+00 597+00	5,187
10	484+00 497+00	2704	17	597+00 610+00	2,726
11	497+00 509+00	2424	18	610+00 626+00/R	1,928
12	509+00 522+00	2,605	19	610+00 626+00/L	1,691
13	522+00 534+00	2,465	20	626+00 642+00	3,286
14	534+00 547+00	2,855	21	642+00 669+00	5,602
15	547+00 572+00	5,180	22	669+00 682+00	1,748
			28		330
TOTAL					41,391

REVISIONS  
Completed 9-13-63.