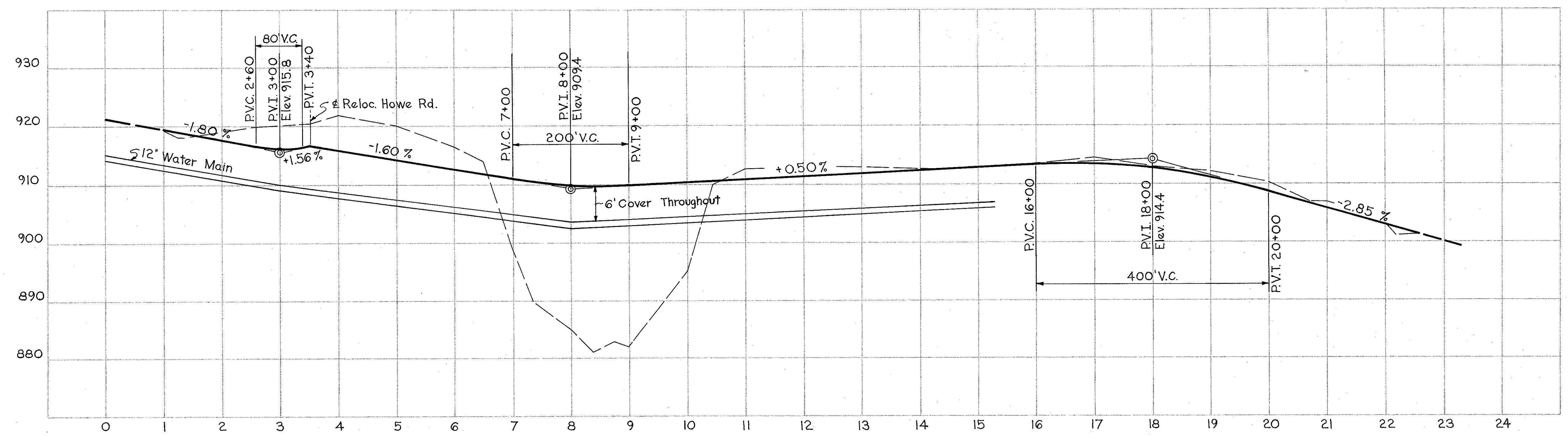
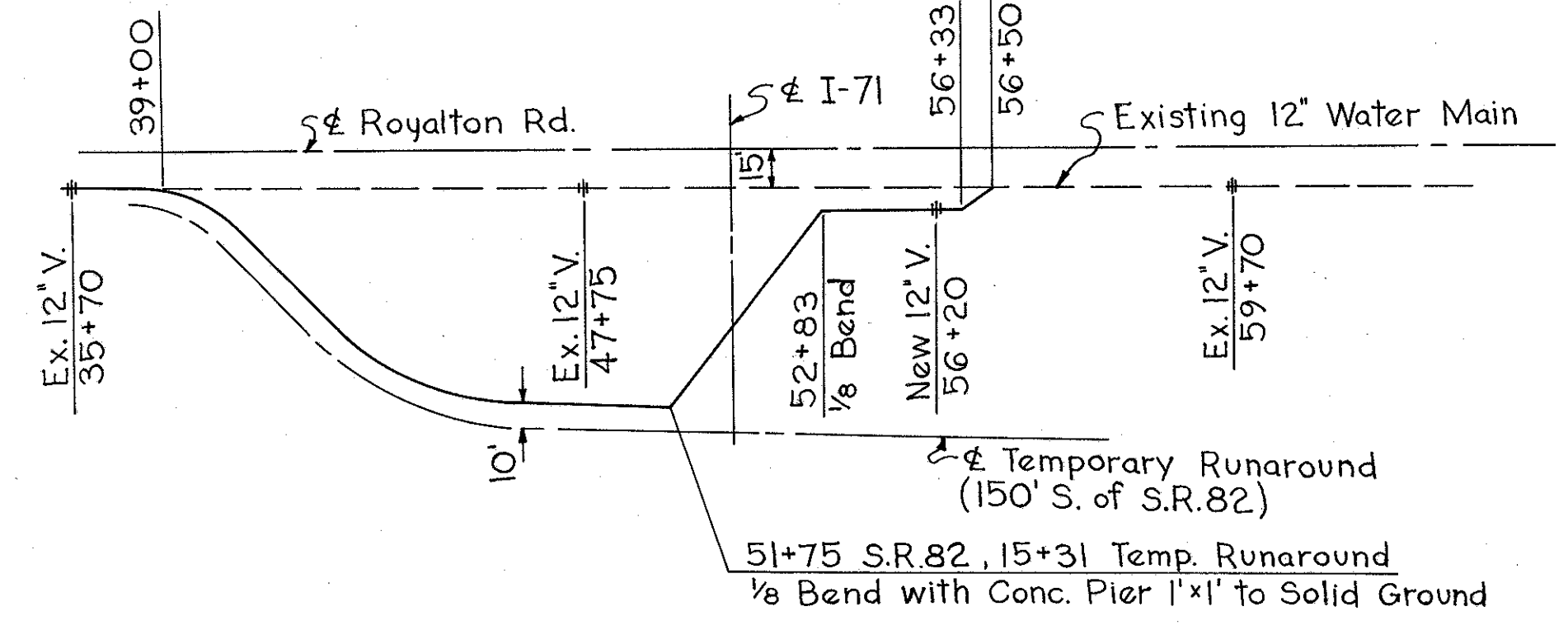


CUYAHOGA COUNTY
MED-42-26.17
CUY-42-0.00



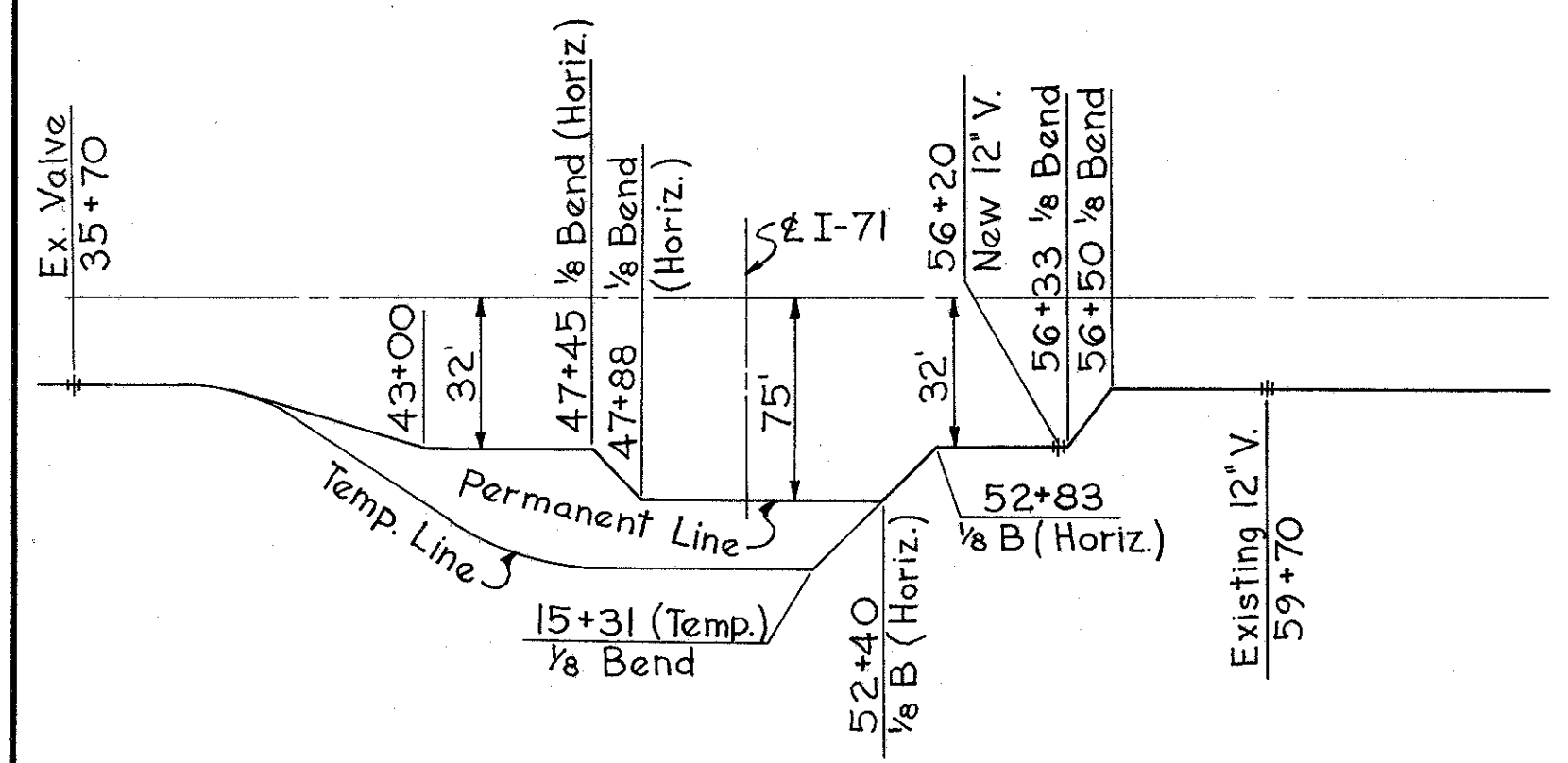
CONSTRUCTION PROCEDURES



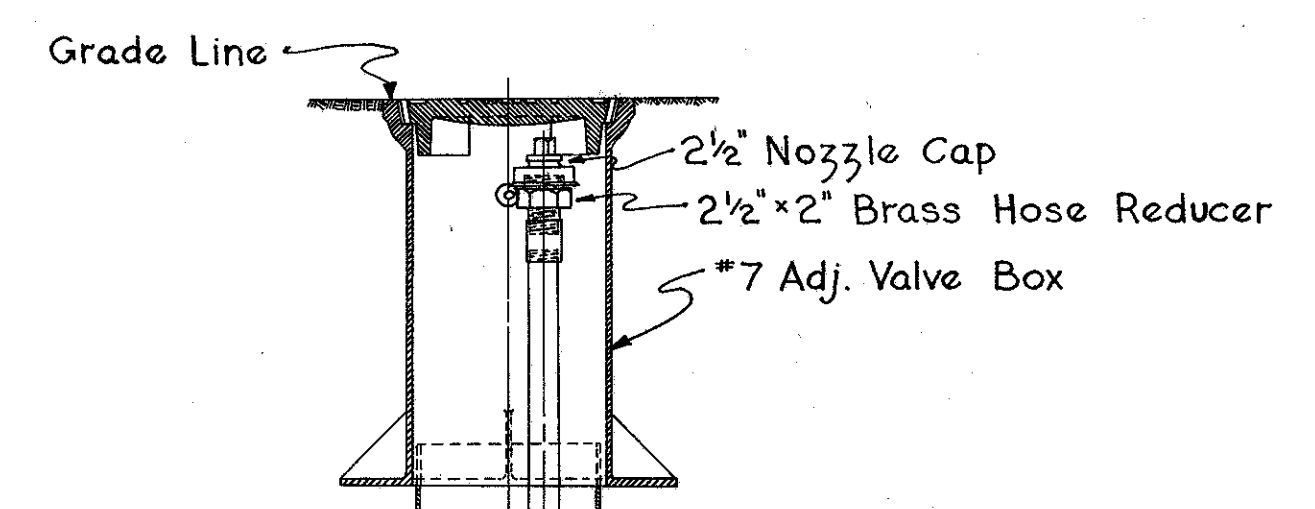
PROFILE TEMPORARY RUNAROUND

Scales: 1" = 100' Horiz.
1" = 10' Vert.

- Phase 1: To be performed as soon as temporary runaround is graded and before paving.
- 1, Install 12" Main 39+50 to 56+38 test and complete as specified.
 - 2, Close Existing Valves at 47+75 and 35+70 Sleeve-in at 39+00.
 - 3, Open Valve at 35+70 and transfer any services. Leave Valve at 47+75 closed.
 - 4, Close Valve at 59+70 and Sleeve-in at 56+50.
 - 5, Open Valve at 59+70.

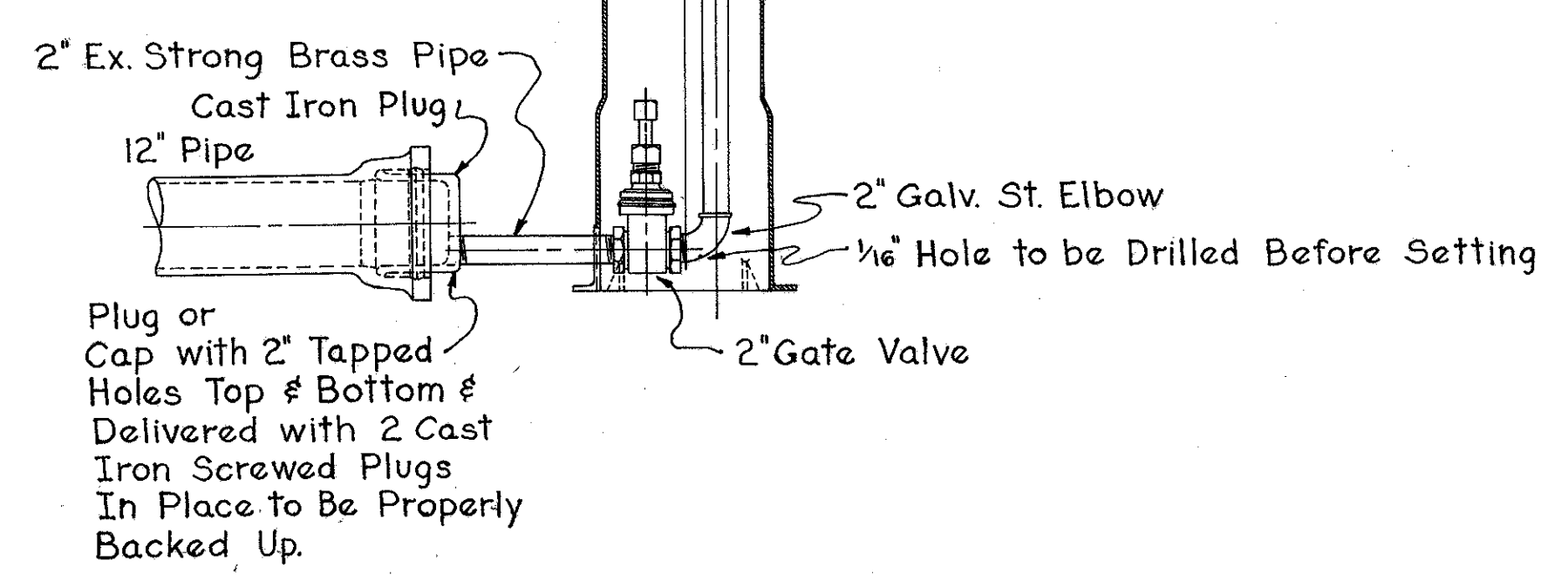


- Phase 2: To be performed when all grading on S.R.82 and structure over I-71 is completed and before paving.
- 1, Install permanent line from 39+10 to 52+30 and complete as specified.
 - 2, Close valves at 35+70 and 56+20.
 - 3, Sleeve in permanent line at 39+00 and 52+40
 - 4, Open all valves.
 - 5, Remove Temporary 12" Water.

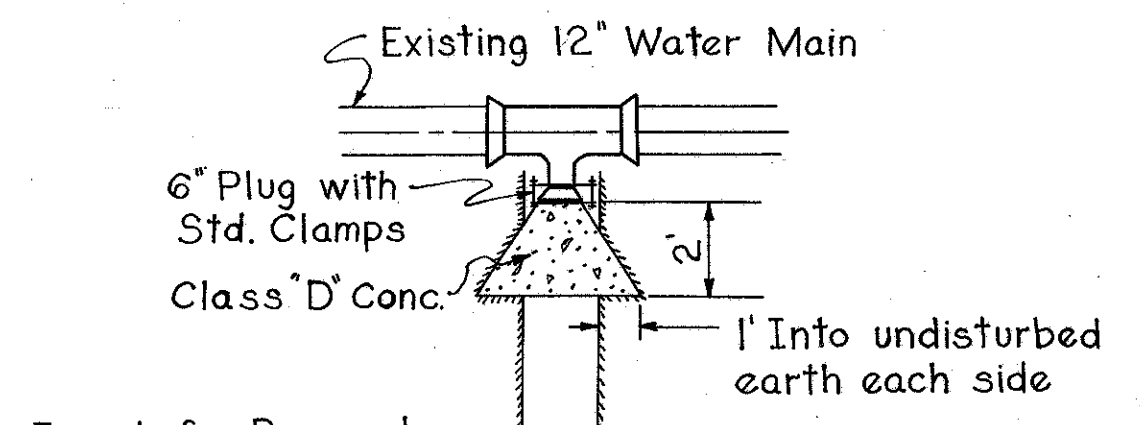


BILL OF MATERIAL

- 1- 2" Galv. Iron Pipe 5'-6" Long
- 1- 2" Ex. Hy. Brass Pipe 12" Long
- 1- 2" Galv. Iron Street Ell. 1/2" Drain Hole
- 1- 2 1/2" x 2" Brass Hose Reducer
- 1- 2" Galv. Iron Coupling
- 1- 12" C.I. Plug or Cap With 2" Taps
- 1- 2 1/2" Nozzle Cap
- 1- *7 Adj. Valve Box
- 1- 2" Gate Valve



FLUSHING CONNECTION



PLUG FOR FIRE HYDRANT LEAD AT 57+90 ±

NOTICE
CONTRACTOR TO NOTIFY
UTILITIES ENGINEERING 3 DAYS
BEFORE STARTING WORK
CALL TO: 1-4600 LINE 618
BETWEEN 8 & 9 A.M.

APPROVED
Small Seal
COMMISSIONER UTILITIES ENGINEERING
John L. J. [Signature]
9-19-63

PREPARED BY J.E. GREINER COMPANY
CONSULTING ENGINEERS
BALTIMORE 1, MARYLAND

2ND HIGH SERVICE DISTRICT

DEPARTMENT OF PUBLIC UTILITIES
DIVISION OF WATER AND HEAT
CLEVELAND, OHIO

SUBJECT: DETAILS AND 12" ROYALTON RD. WATER
MAIN RELOCATION PROCEDURE.

DRAWN BY _____ SCALE _____
TRACED BY _____
CHECKED BY W.J.S. DATE 9-18-63