

SEEDING 140 130 120 110 100 90 80 70 60 50 40 30 20 10 0 10 20 30 40 50 60 70 80 90

CALC BY  
DATE  
CHKD BY  
DATE

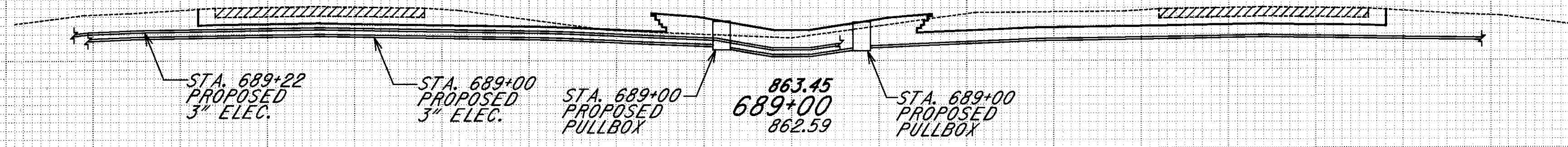
CUY-71-0.00

OHIO  
FHWA REGION 5  
168  
361

END AREA		VOLUME	
CUT	FILL	CUT	FILL
117	32		
		265	73
		476	69
		456	35
		106	14
		372	143
		95	63
		354	226
		96	59
		376	198
107	48		
		2299	744

PLOTTED FROM: \\ers\p\d08459\dgn\307xs41.dgn  
 PLOT SUBMITTED: 24-JUL-1998 15:11  
 307XS41.DGN  
 28  
190  
870  
860  
311  
870  
860  
311  
870  
860  
311  
870  
860  
311  
850  
860  
311  
850  
28  
1745  
28  
28  
60  
61  
62  
63

CUY-71-0384 BRIDGE  
Station 689+61.19



861.61  
688+00  
862.89

859.82  
687+00  
860.82

858.06  
686+00  
856.03

STA. 685+60  
PROPOSED  
3\"/>

Existing 78\"/>

856.34 Proposed Ground @ (Typ.)  
685+00  
854.53 Existing Ground @ (Typ.)

CFN 180710378  
SLM 3.78, 78\"/>

STA. 684+00

SHEET TOTAL

SHEET TOTAL

CROSS SECTIONS STA. 685+00 TO STA. 689+00