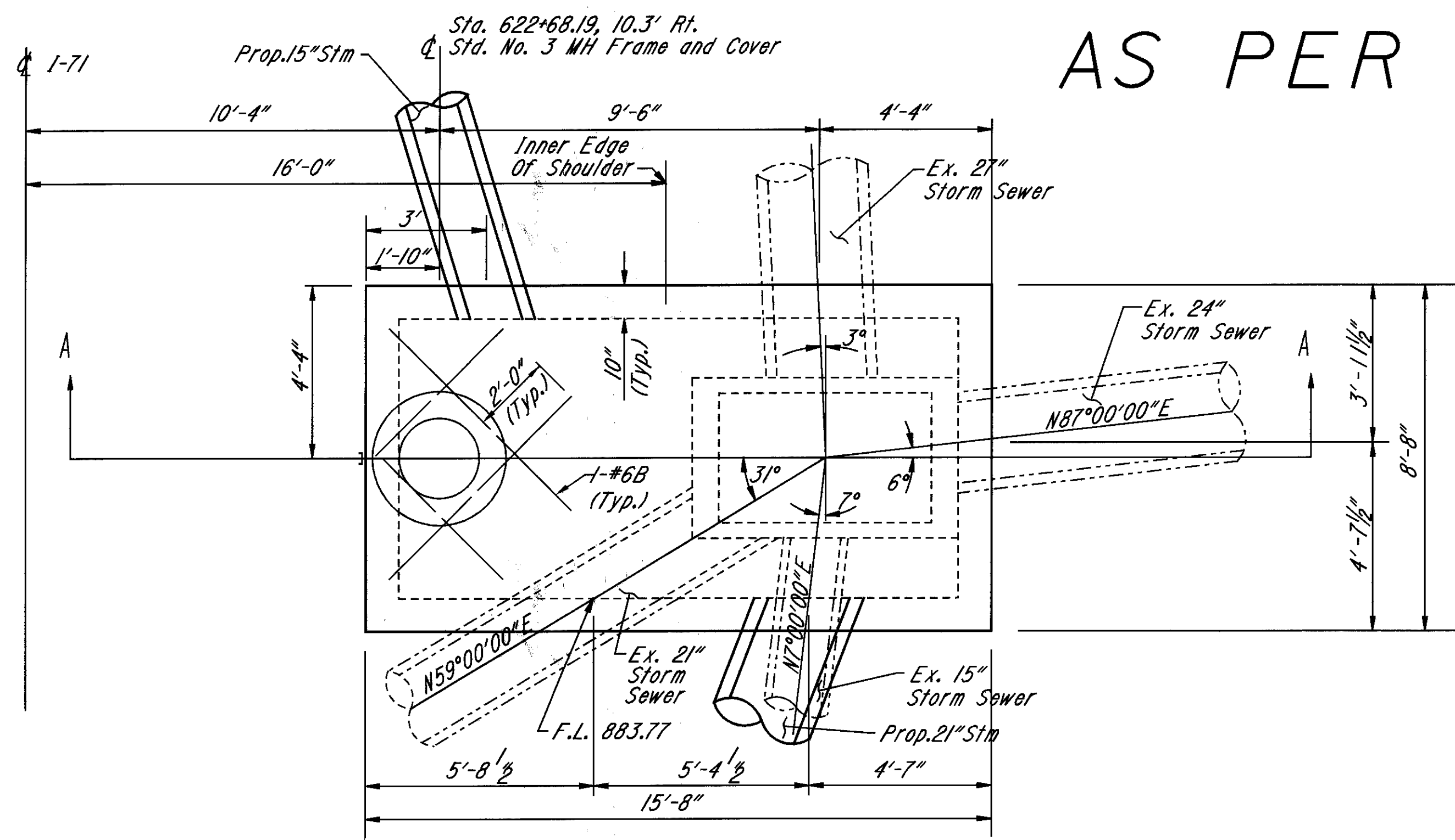
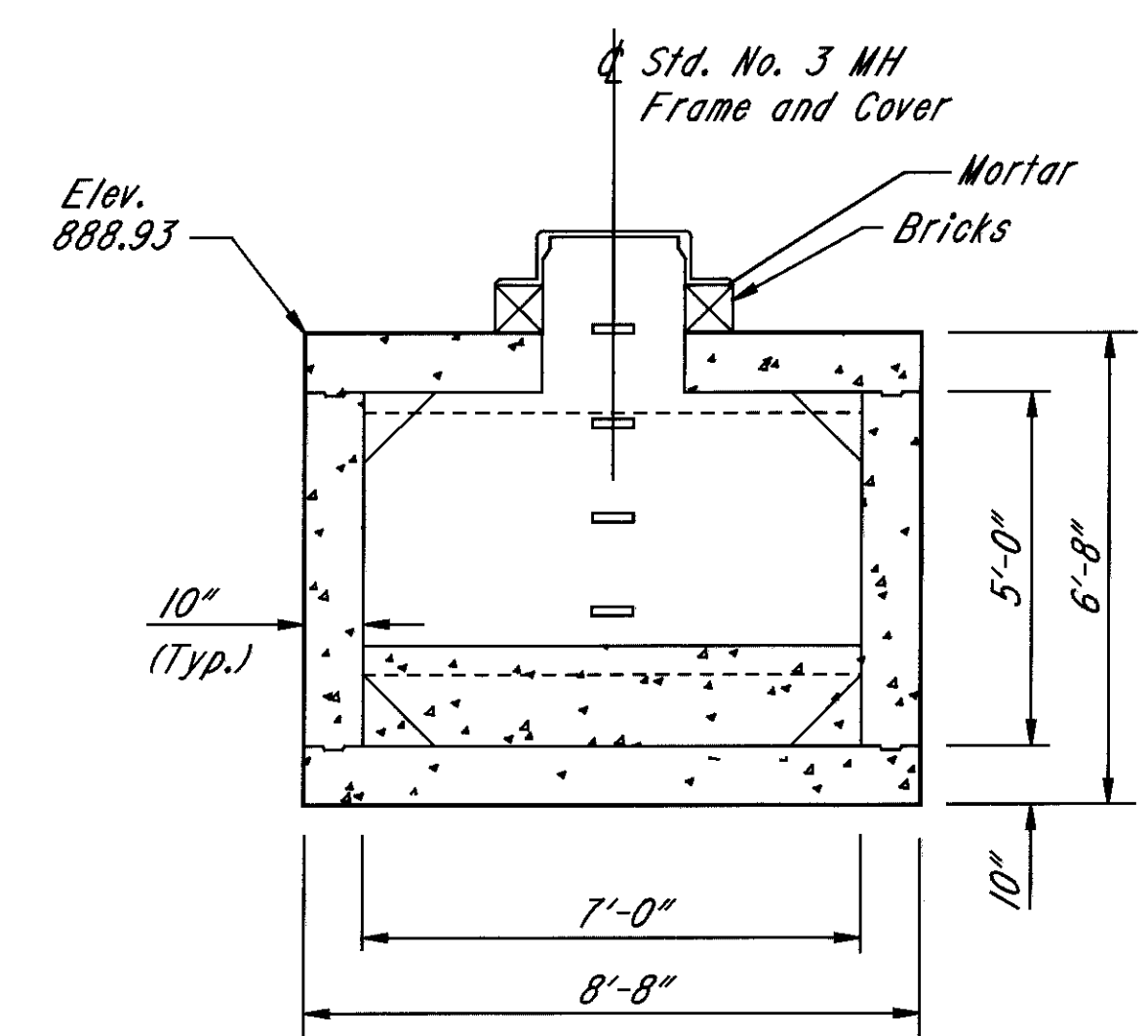
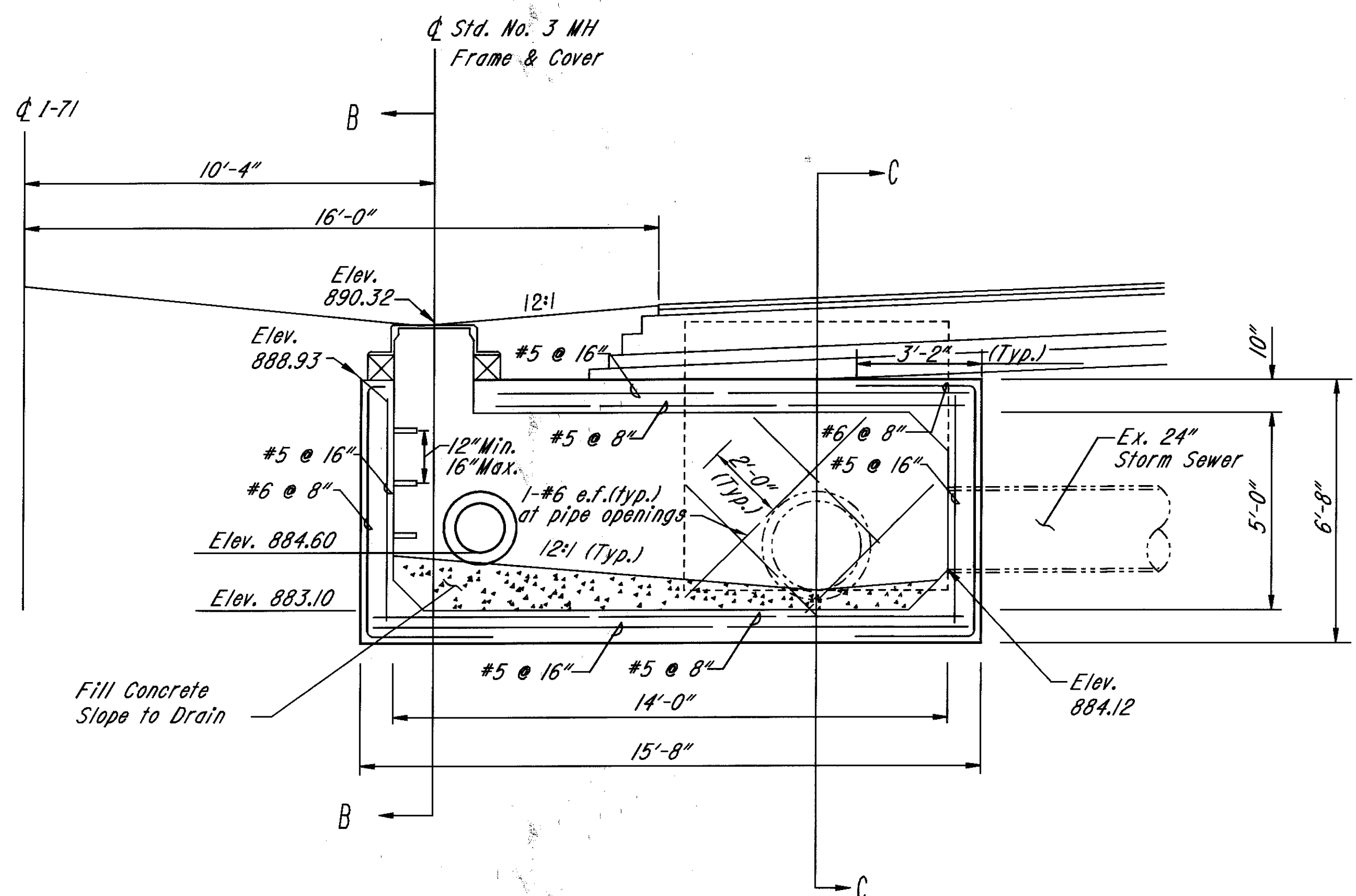
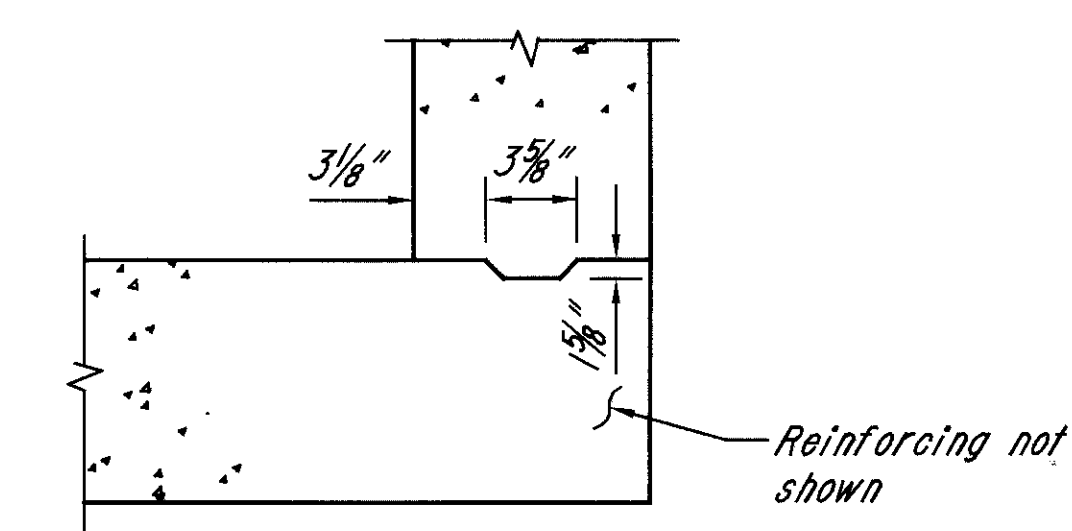


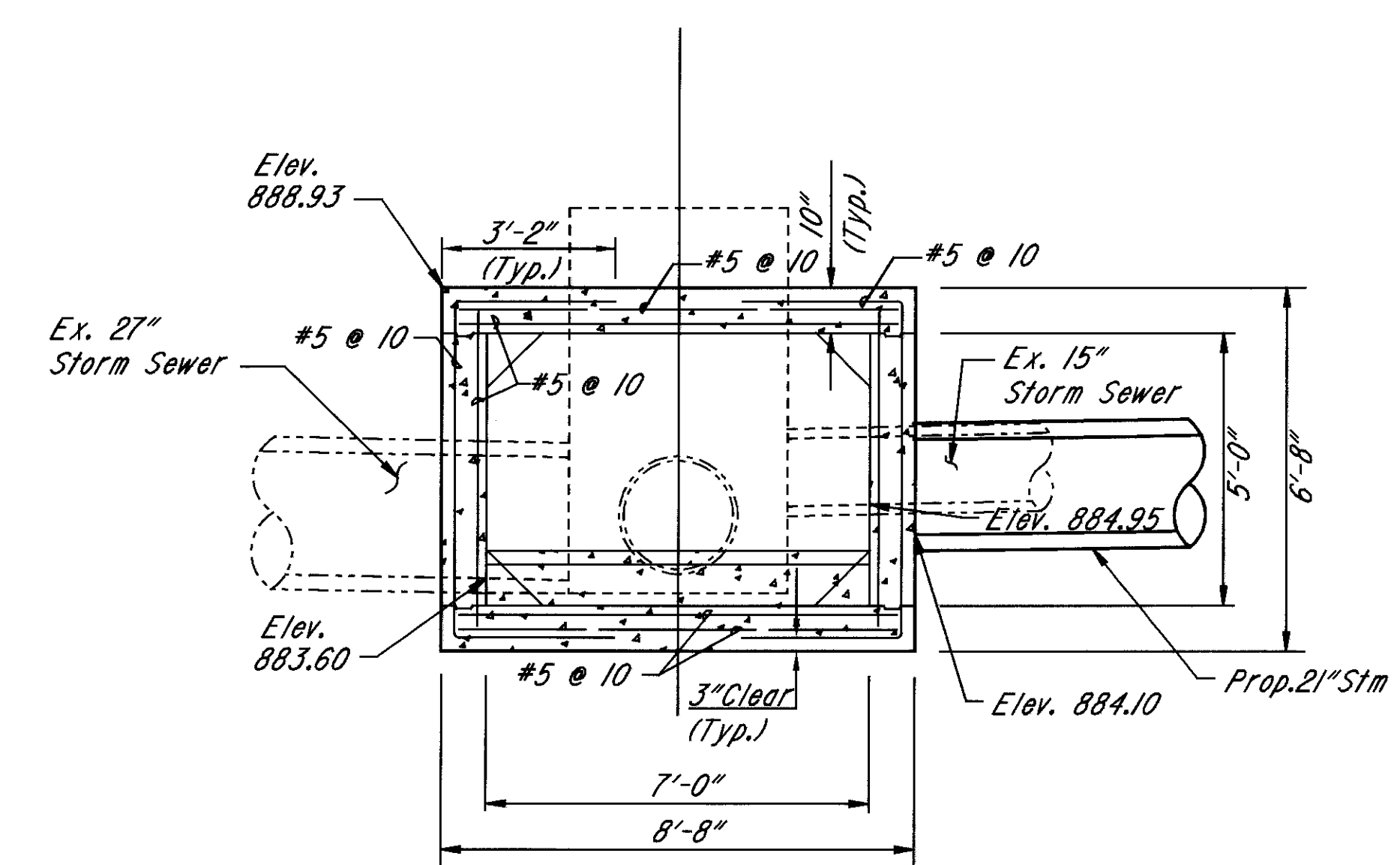
JUNCTION CHAMBER AS PER PLAN, TYPE I



- Existing To Be Removed.
 - Existing To Remain.
 - Proposed.
- Note:
1. See Std. Drawing MH-3 for Additional Details
 2. 2" Minimum Concrete Cover, except as noted.
 3. Construction Joints are permissible at any location.
 4. This structure maybe cast-in-place, precast or a combination of both.
 5. All Junction Chamber boxes shall be constructed in accordance with the requirements of O.D.O.T. CMS Item 706.05.
 6. Cut reinforcement as required at openings.
 7. Bid price shall include the replacement of any connecting sewer damaged during the removal and installation of the chamber. The new pipe shall match the material type of the existing pipe and the requirements of Item 603.



Note: For reinforcement see Section C-C



EUTHEMICS INC.
CONSULTING ENGINEER
CLEVELAND, OHIO

DESIGNED BY: DATE: 11-94
CHECKED BY: RSW DATE: 12-12-94
DRAWN BY: SCALE: 1/4" = 1'-0"