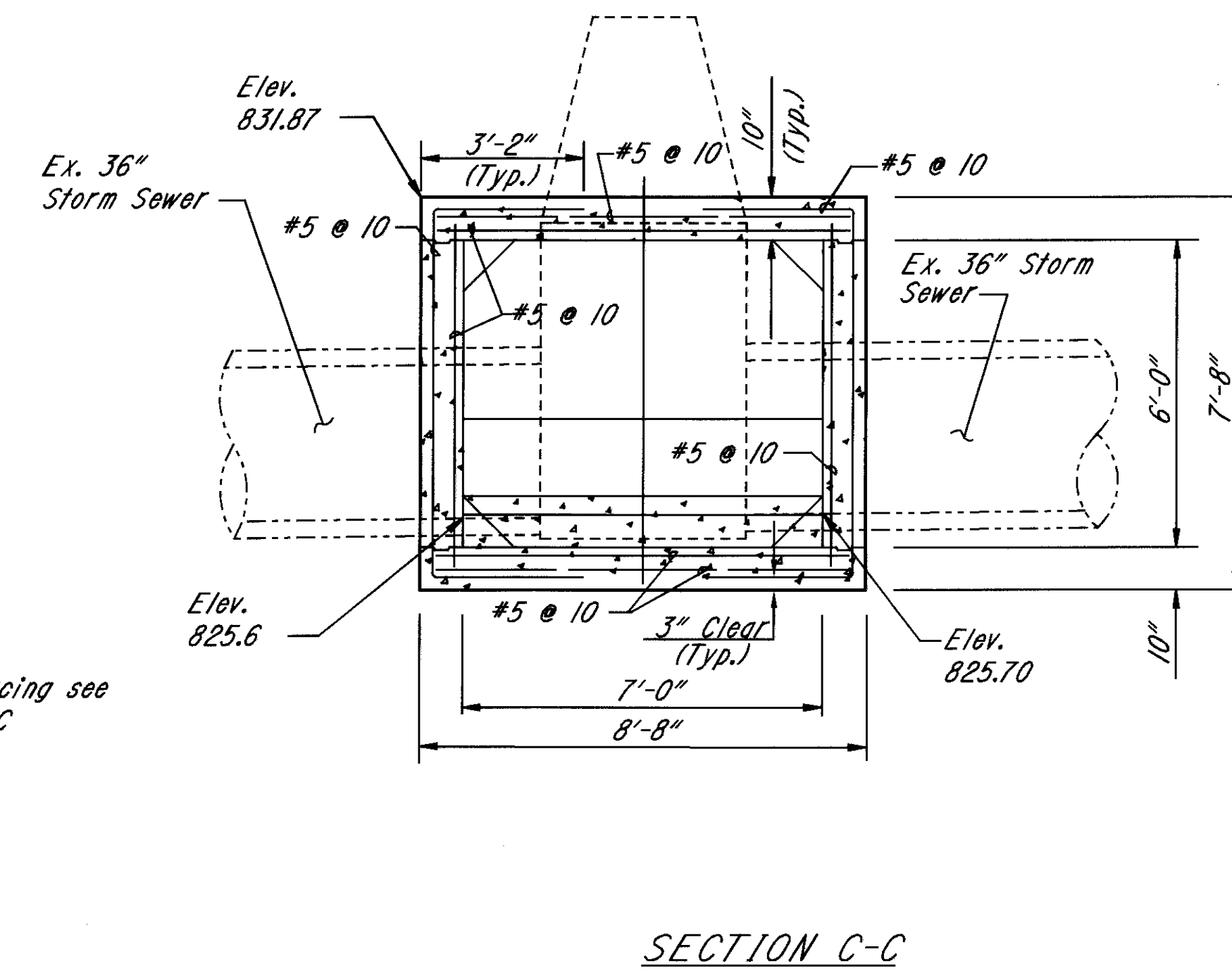
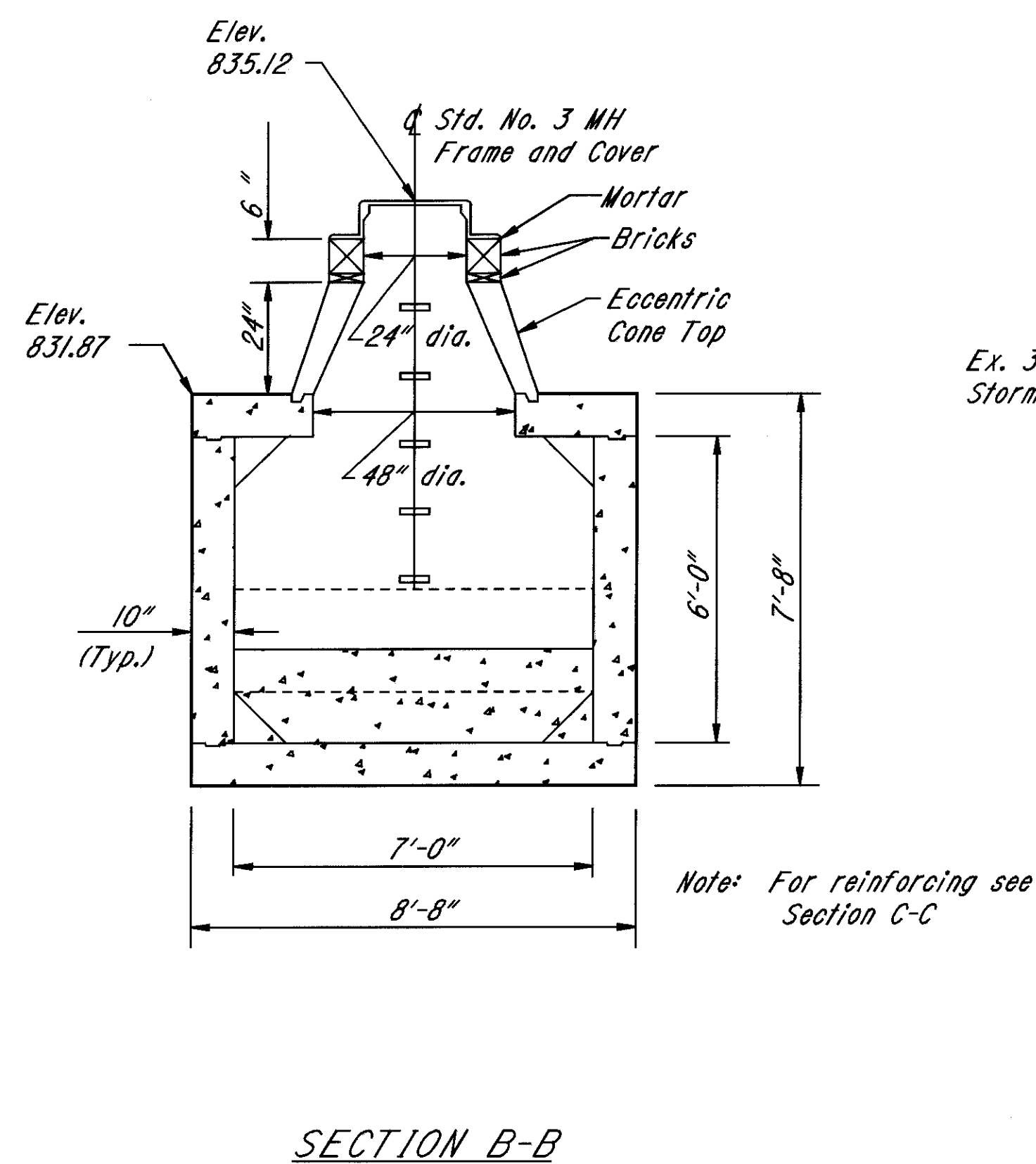
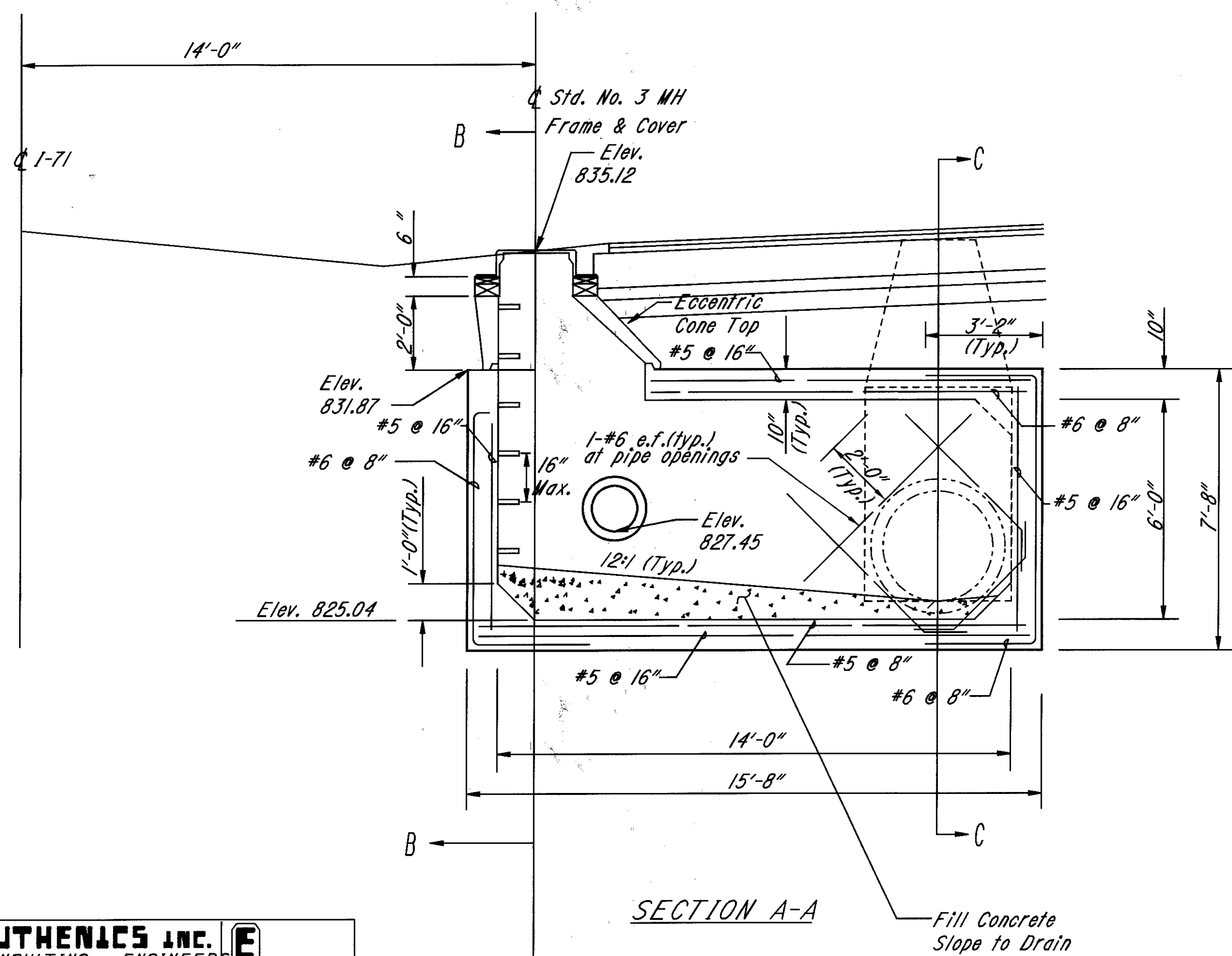
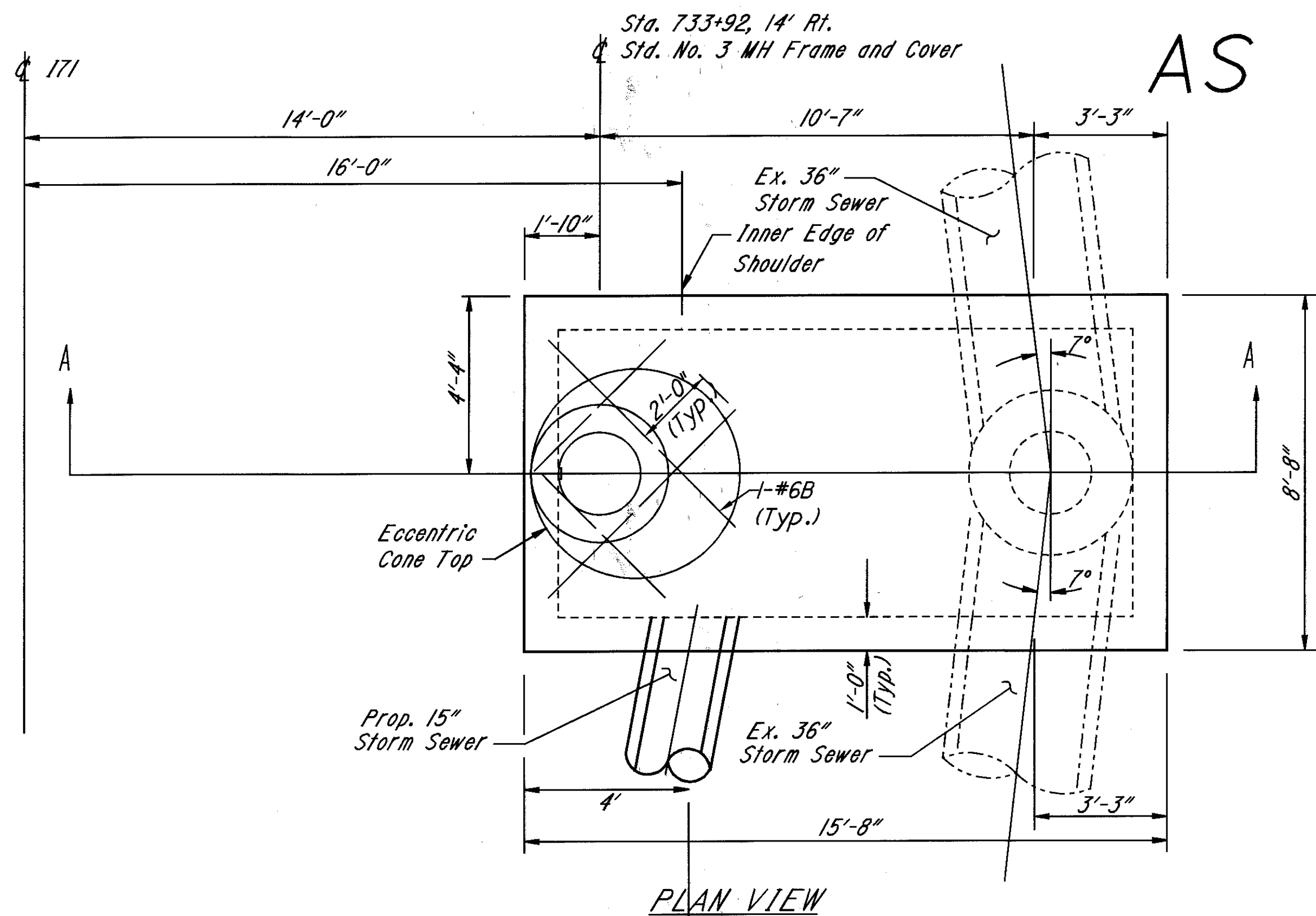
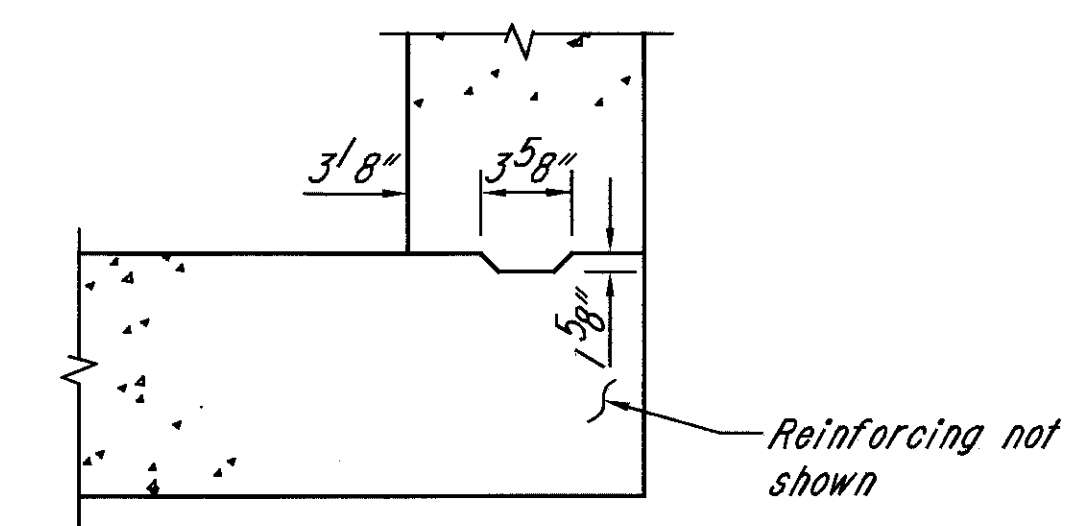


JUNCTION CHAMBER AS PER PLAN, TYPE 2



- Existing To Be Removed.
- Existing To Remain.
- Proposed.

- Note:
1. See Std. Drawing MH-3 for Additional Details
 2. 2" Minimum Concrete Cover, except as noted.
 3. Constuction Joints are permissible at any location.
 4. This structure maybe cast-in-place, precast or a combination of both.
 5. All Junction Chamber boxes shall be constructed in accordance with the requirements of O.D.O.T. CMS Item 106.05.
 6. Cut reinforcement as required at openings.



3071c02.dgn

EUTHEMICS INC.
CONSULTING ENGINEERS
CLEVELAND, OHIO

DESIGNED BY DATE: 11-94	CHECKED BY DATE: 12-12-94	DRAWN BY SCALE: 1'-0"
----------------------------	------------------------------	--------------------------