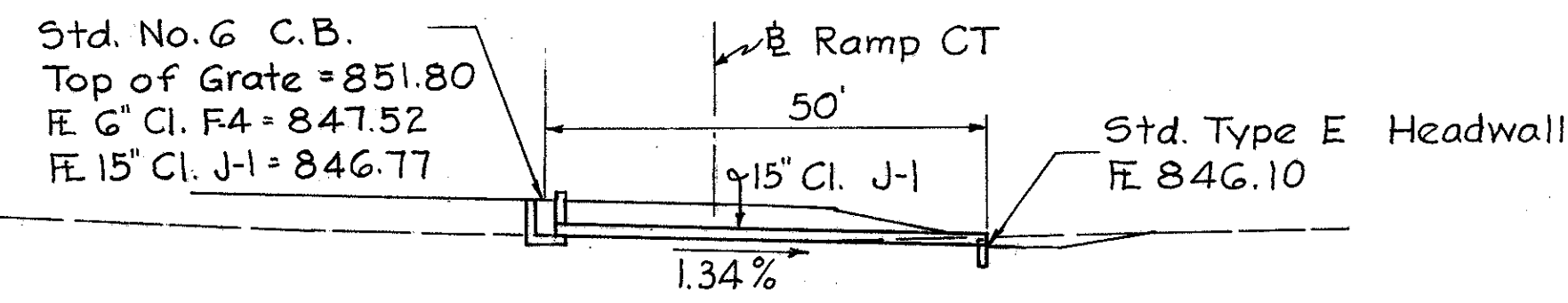
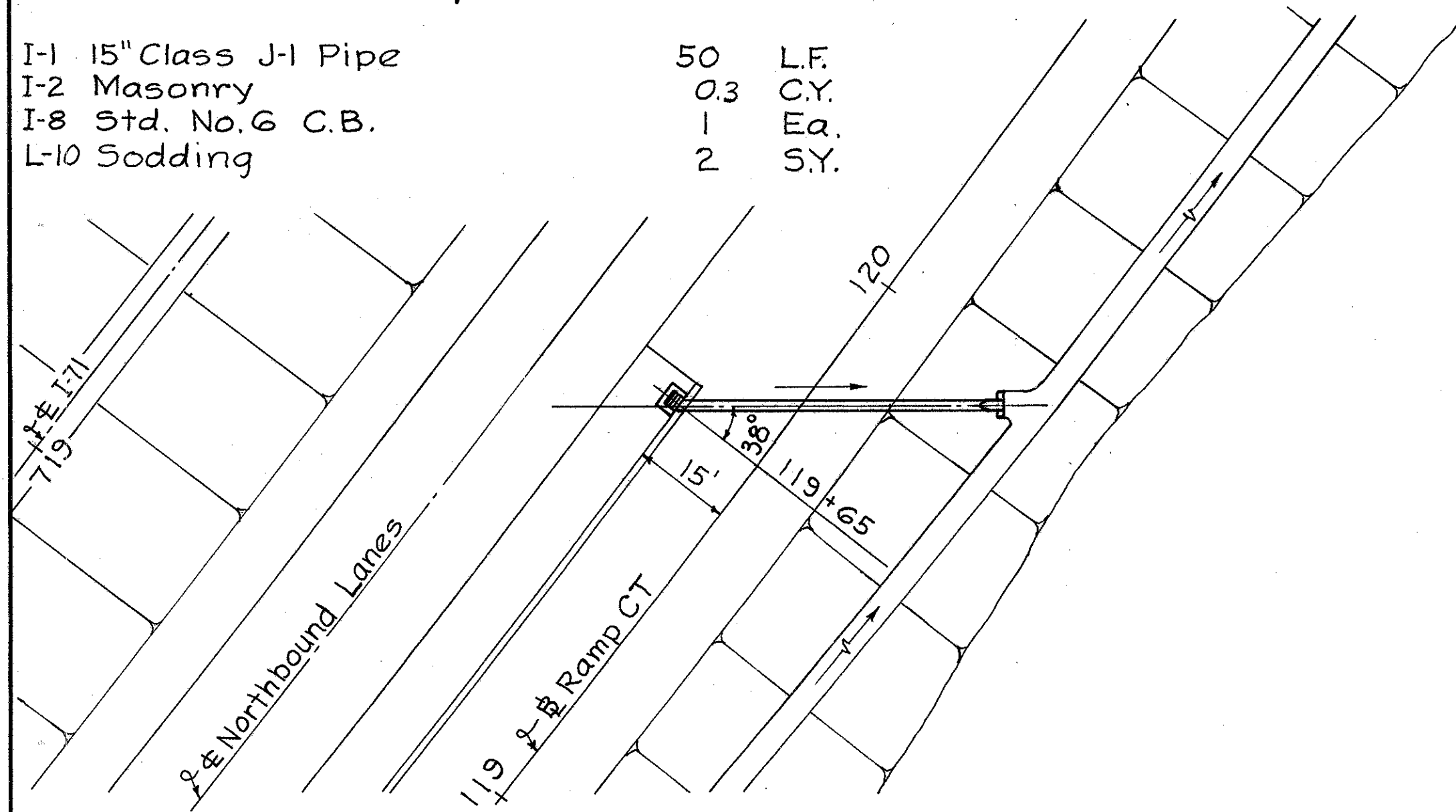


**ESTIMATED QUANTITIES**

I-1 15" Class J-1 Pipe	50	L.F.
I-2 Masonry	0.3	C.Y.
I-8 Std. No. 6 C.B.	1	Ea.
L-10 Sodding	2	S.Y.



**STORM SEWER AT STA. 119+65 RAMP CT**  
Scale: 1" = 20'

FED. RD. DIVISION	STATE	PROJECT
2	OHIO	I-71-5(11)23G

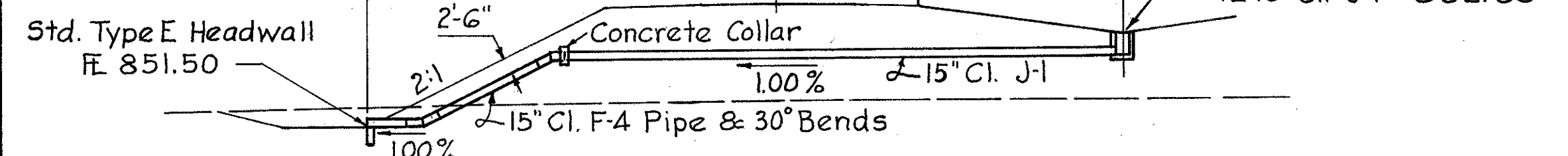
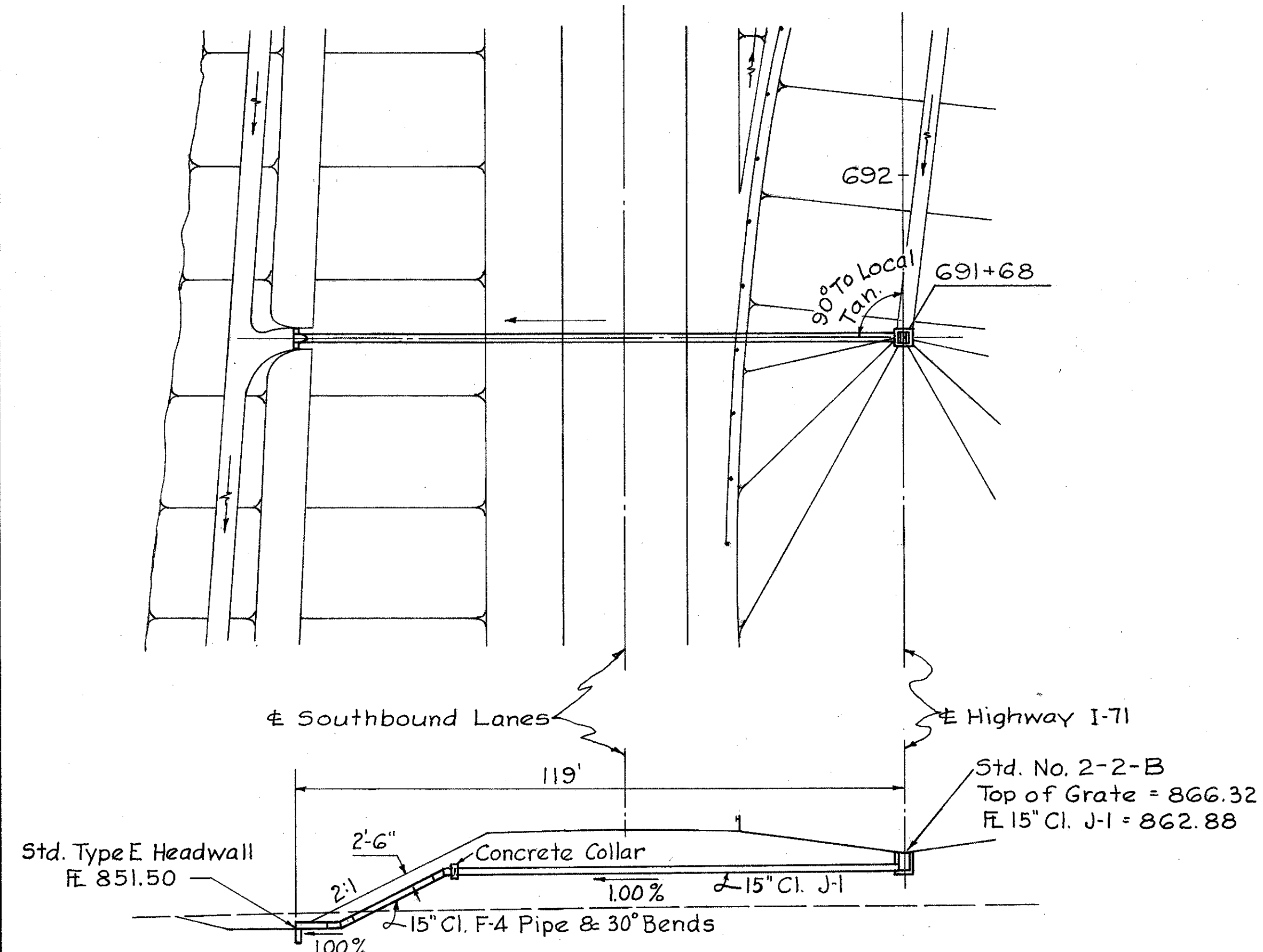
153  
263

CUYAHOGA COUNTY  
CUY-42-3.38

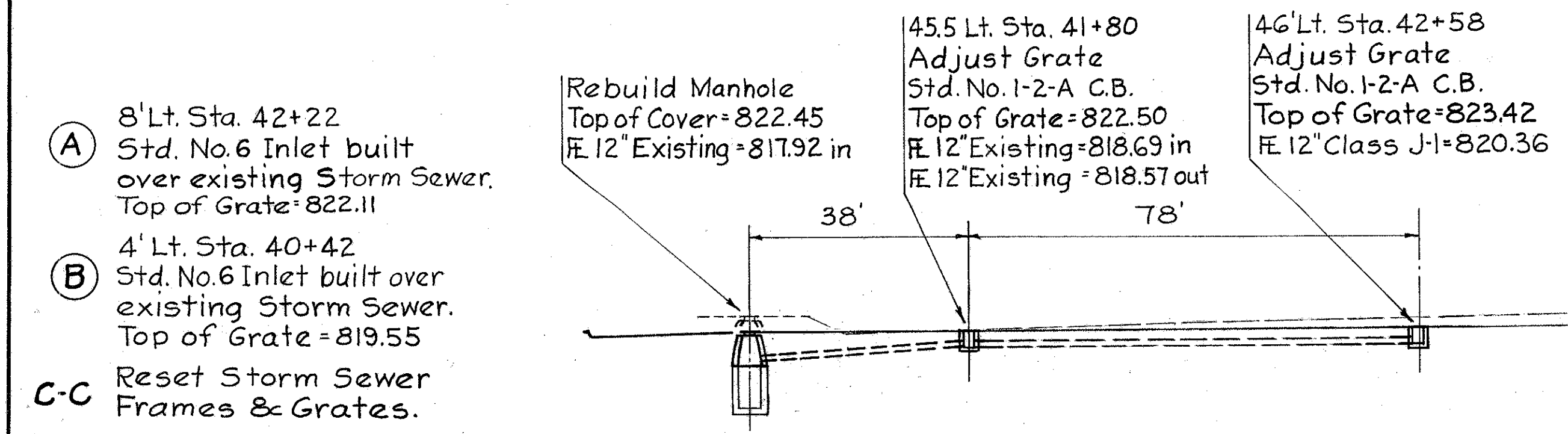
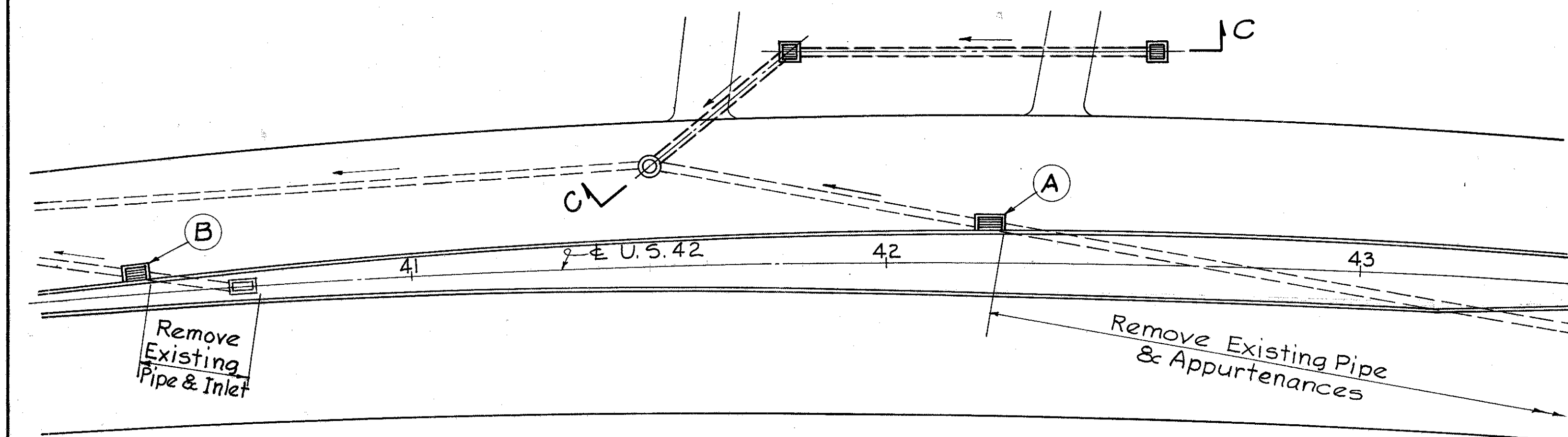
**ESTIMATED QUANTITIES**

I-1 15" Class J-1 Pipe	88	L.F.
I-1 15" Class F-4 Pipe	34	L.F.
I-2 Masonry	0.3	C.Y.
I-5 Pipe Specials, 30° Bends	2	Ea.
I-8 Std. No. 2-2-B	1	Ea.
L-10 Sodding	2	S.Y.

Drainage Area = 0.8 Ac  
Q<sub>10</sub> = 2.4 CFS



**STORM SEWER AT STA. 691+68** SLM 3.88, 15"  
Scale: 1" = 20' SEE SHEET 22



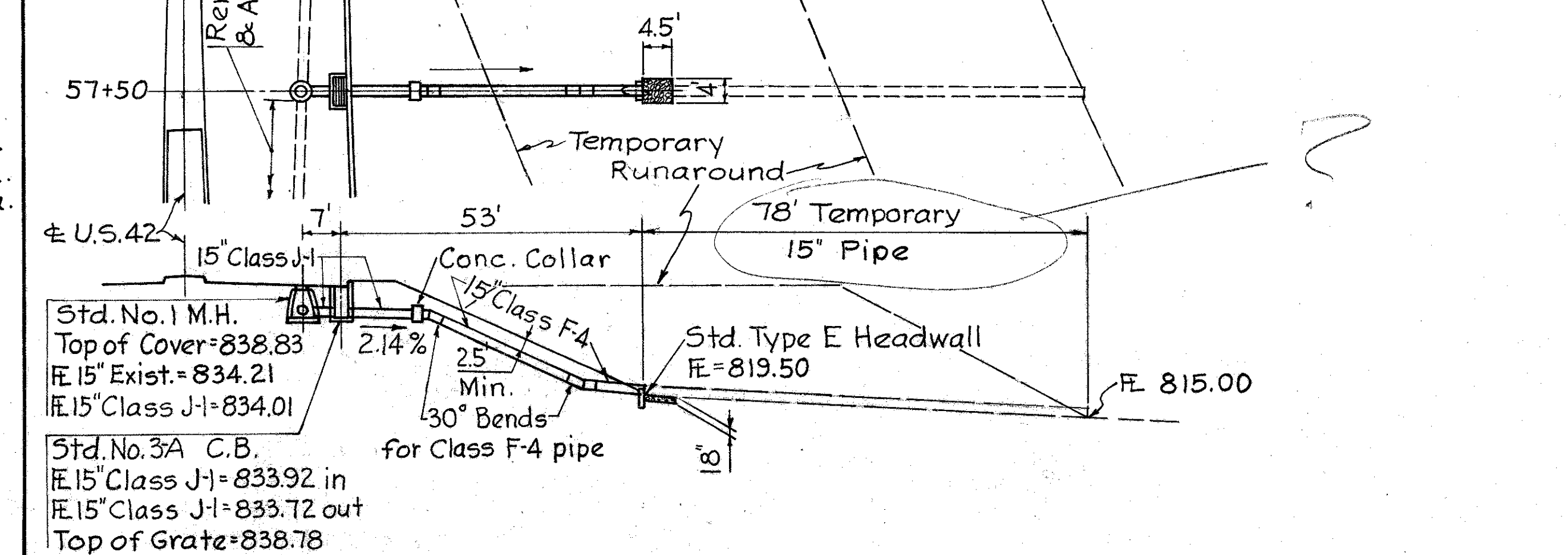
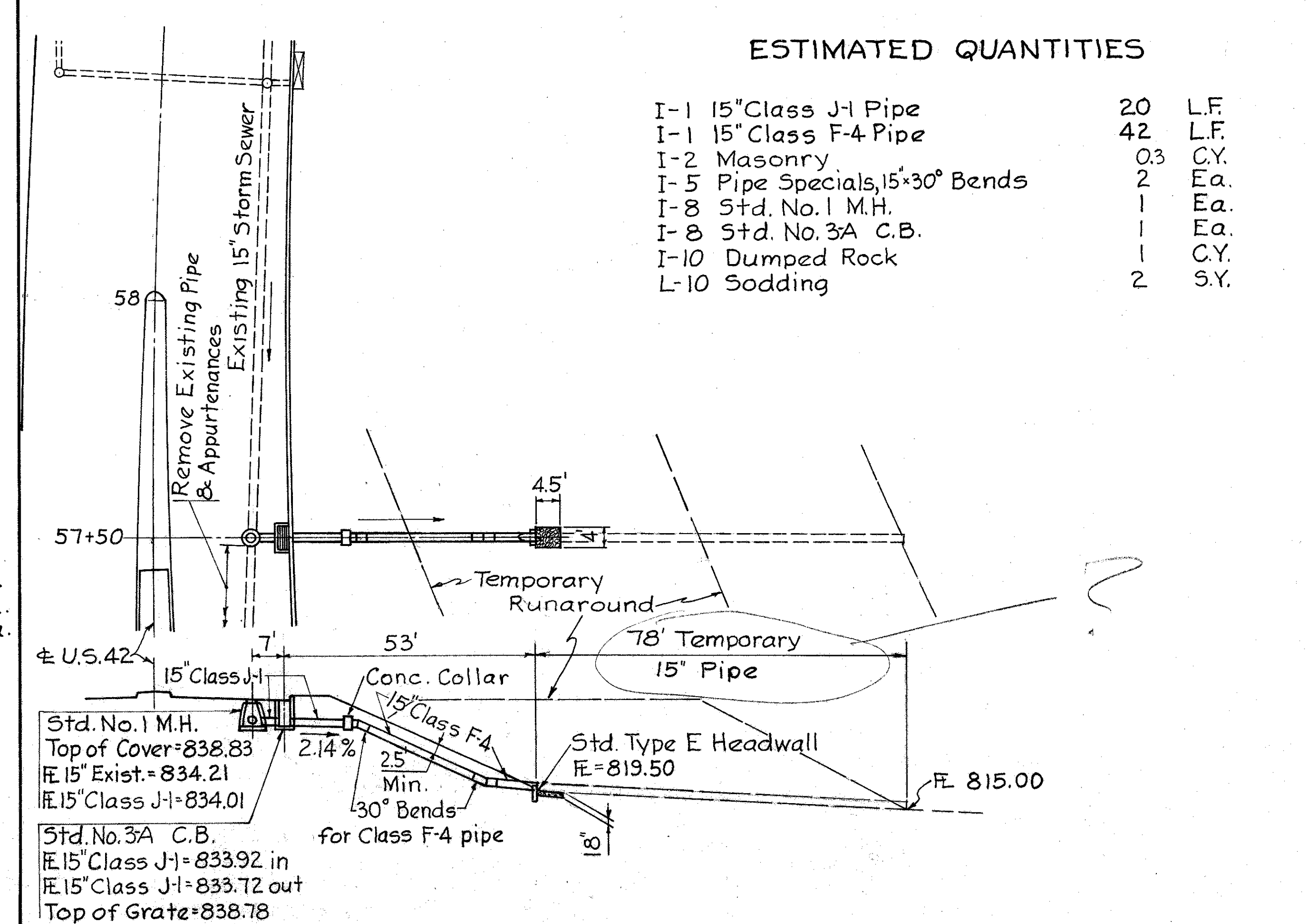
- (A) 8' Lt. Sta. 42+22 Std. No. 6 Inlet built over existing Storm Sewer. Top of Grate = 822.11
- (B) 4' Lt. Sta. 40+42 Std. No. 6 Inlet built over existing Storm Sewer. Top of Grate = 819.55
- C-C Reset Storm Sewer Frames & Grates.

**ESTIMATED QUANTITIES**

I-8 Std. No. 6 C.B.	2	Ea.
Rebuild Existing Manhole	1	Ea.
Rebuild Existing Gatch Basin	2	Ea.

**SECTION C-C**  
Scale: 1" = 20'

ADJUSTMENT OF EXISTING STORM SEWERS U.S. 42 STA. 40 to 42+50



**ESTIMATED QUANTITIES**

I-1 15" Class J-1 Pipe	20	L.F.
I-1 15" Class F-4 Pipe	42	L.F.
I-2 Masonry	0.3	C.Y.
I-5 Pipe Specials, 15x30° Bends	2	Ea.
I-8 Std. No. 1 M.H.	1	Ea.
I-8 Std. No. 3A C.B.	1	Ea.
I-10 Dumped Rock	1	C.Y.
L-10 Sodding	2	S.Y.

STORM SEWER OUTLET U.S. 42 STA. 57+50