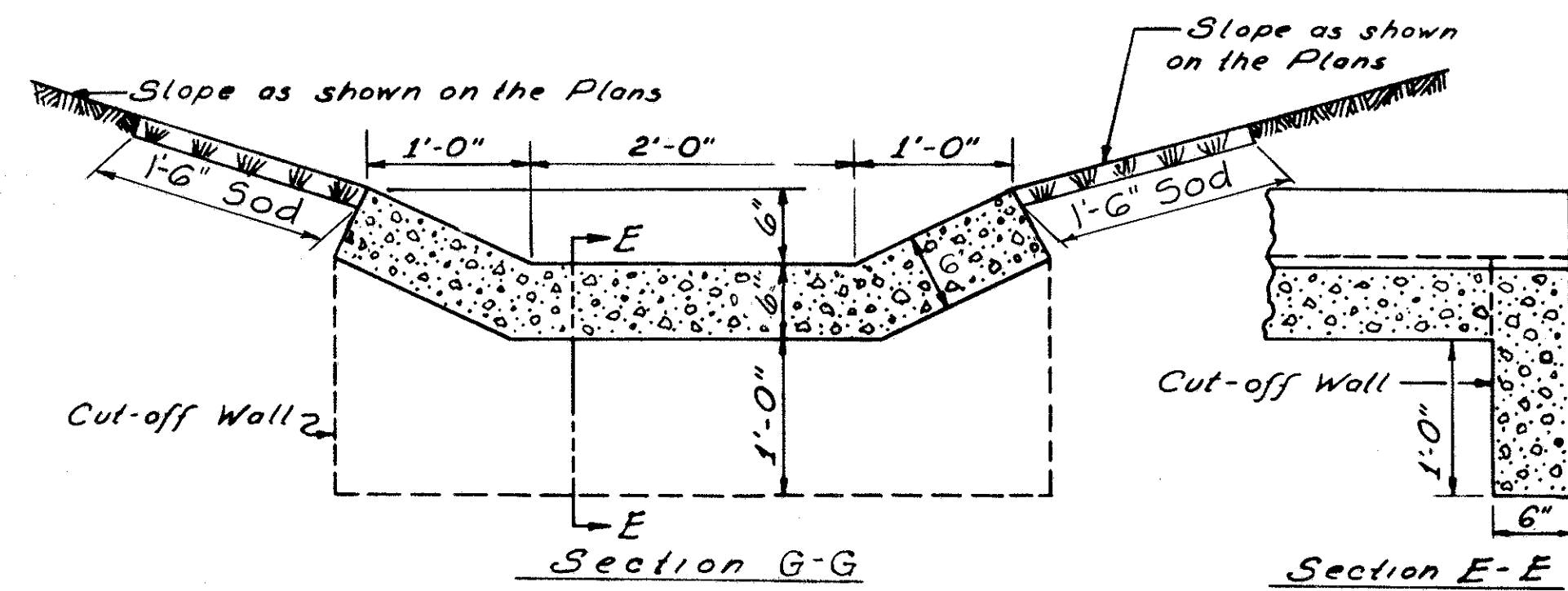
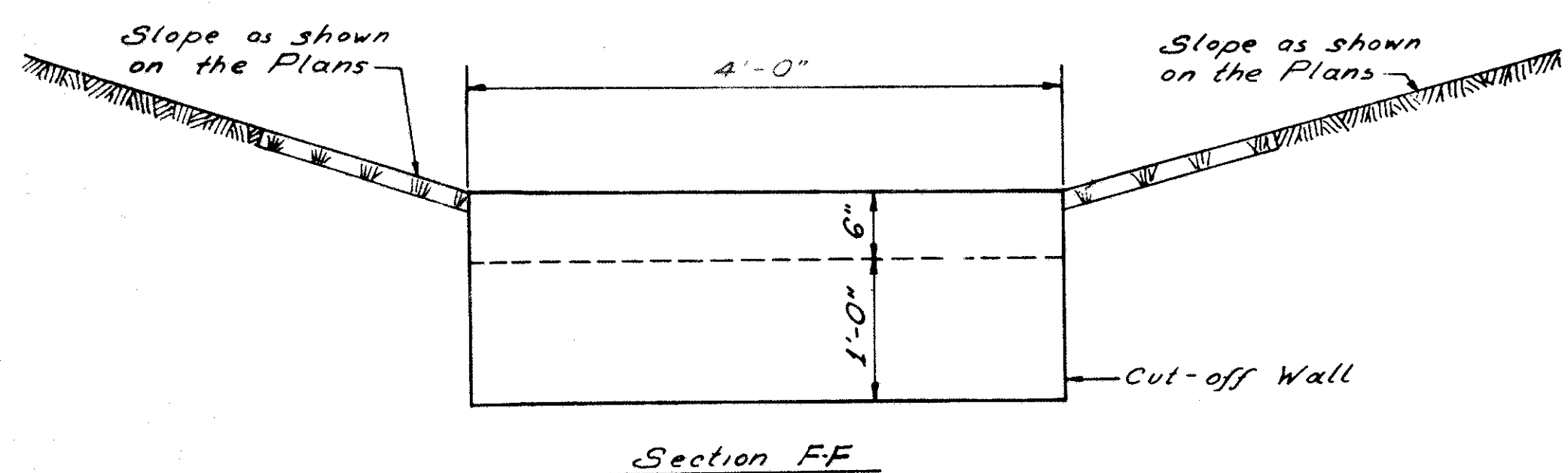
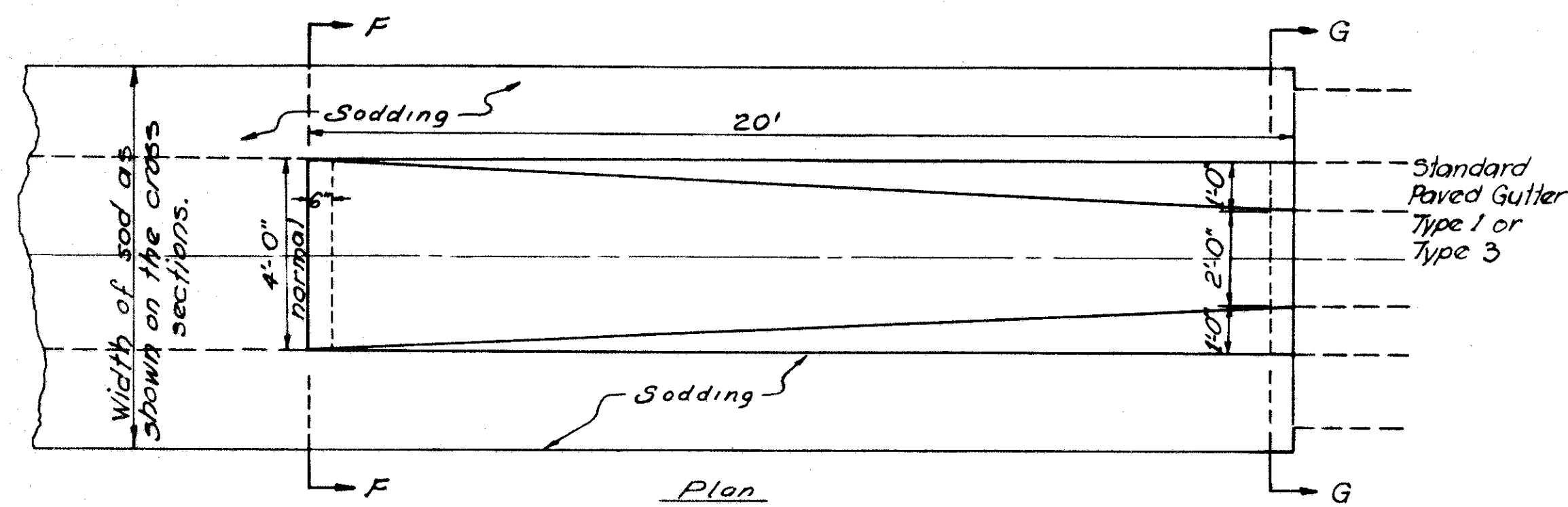


DITCH SODDING

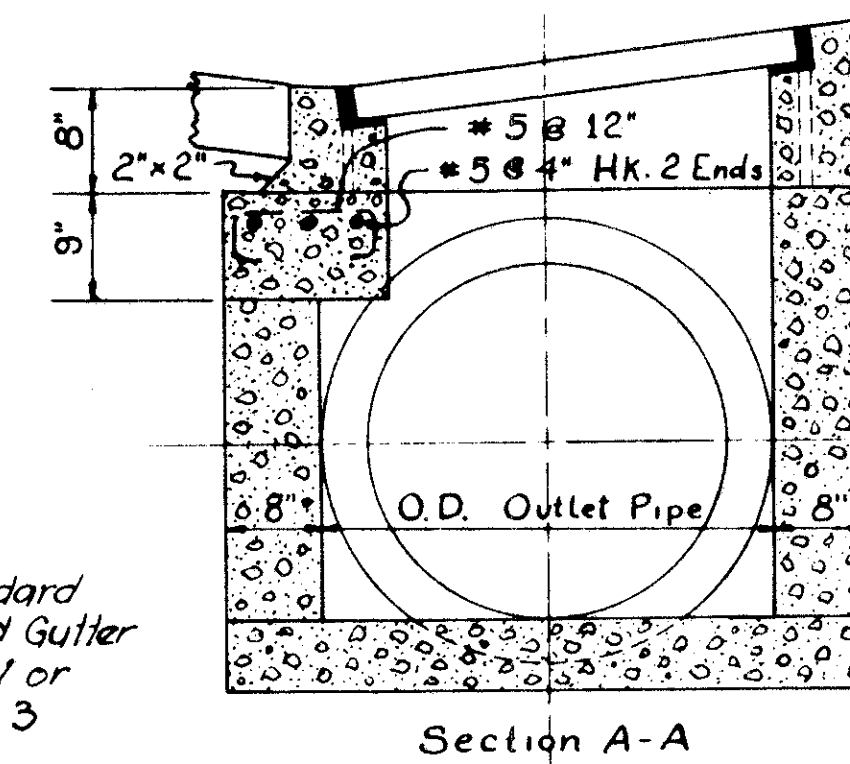
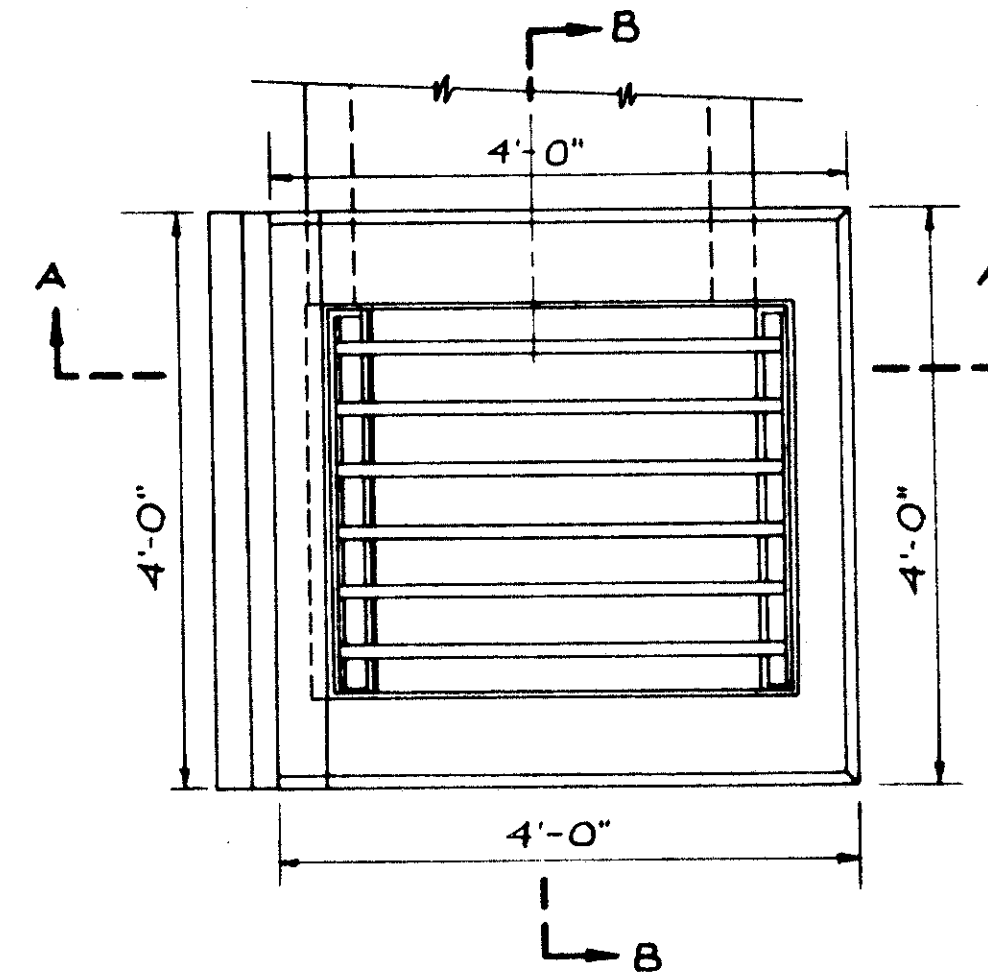


PAVED GUTTER

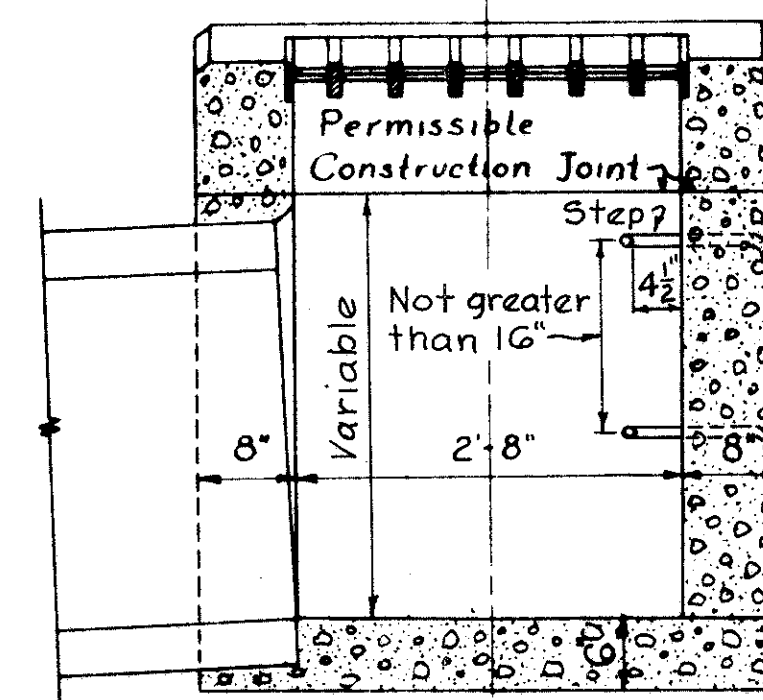


PAVED GUTTER TRANSITION

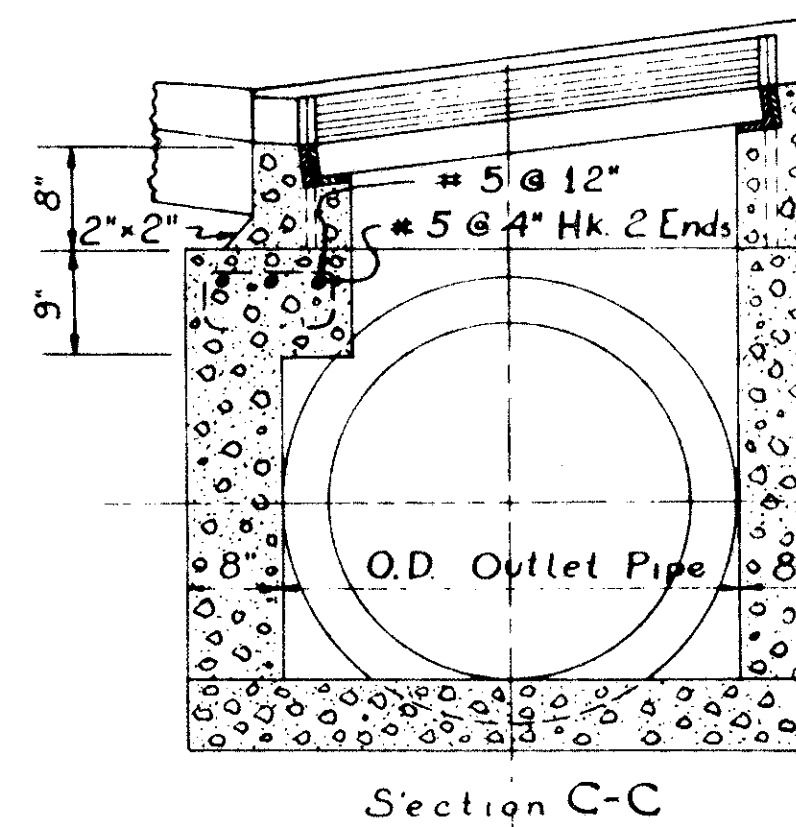
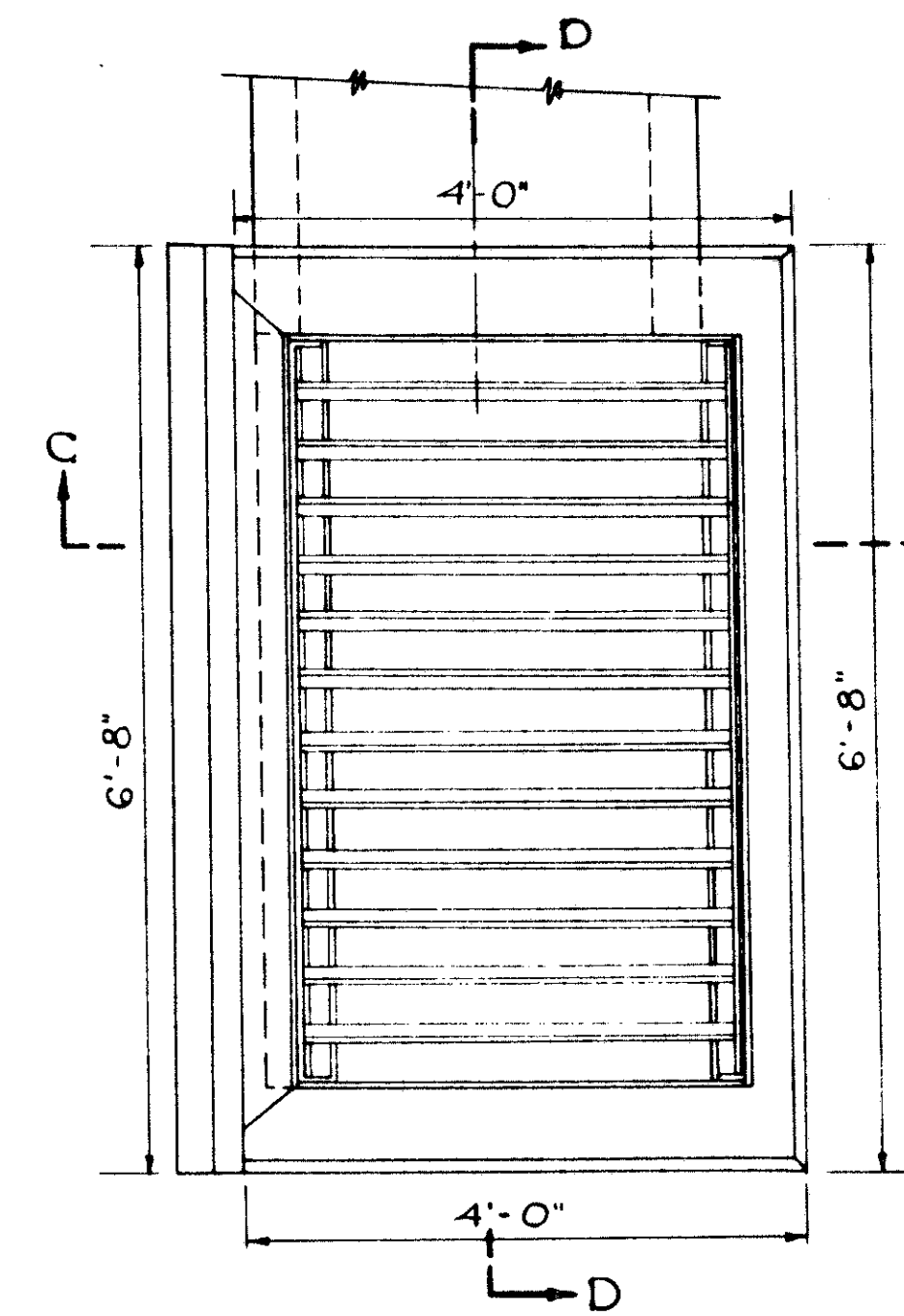
Note: Paved Gutter Transitions shall be provided at the beginning of all paved gutters. The Transition Sections will be paid for as Item I-14 Paved Gutter, per Linear Foot.



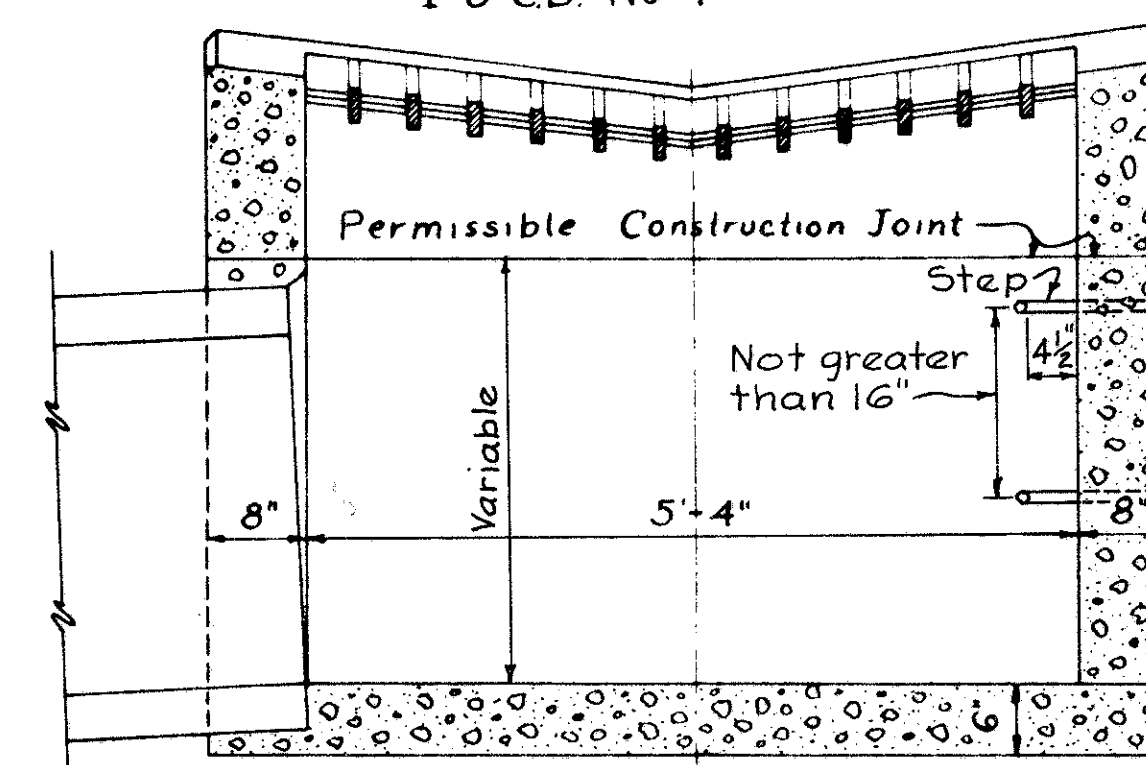
Note:
For additional details, see Ohio Standard Construction Drawings "Catch Basins" I-8 CB. No. 5



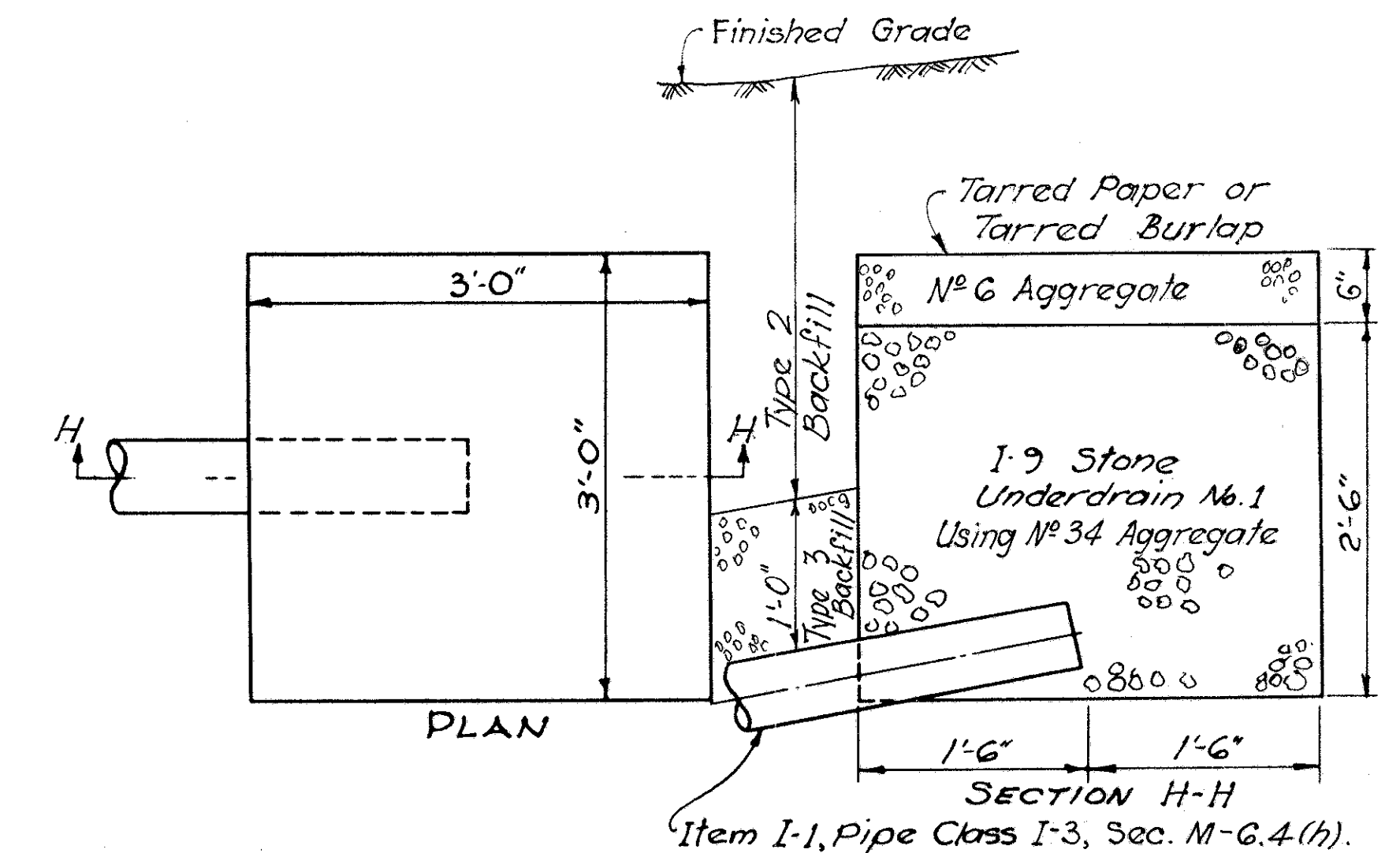
MODIFIED NO. 5 CATCH BASIN



Note:
For additional details, see Ohio Standard Construction Drawings "Catch Basins" I-8 CB. No. 4

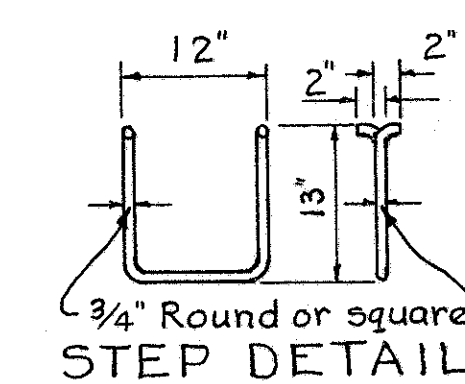


MODIFIED NO. 4 CATCH BASIN

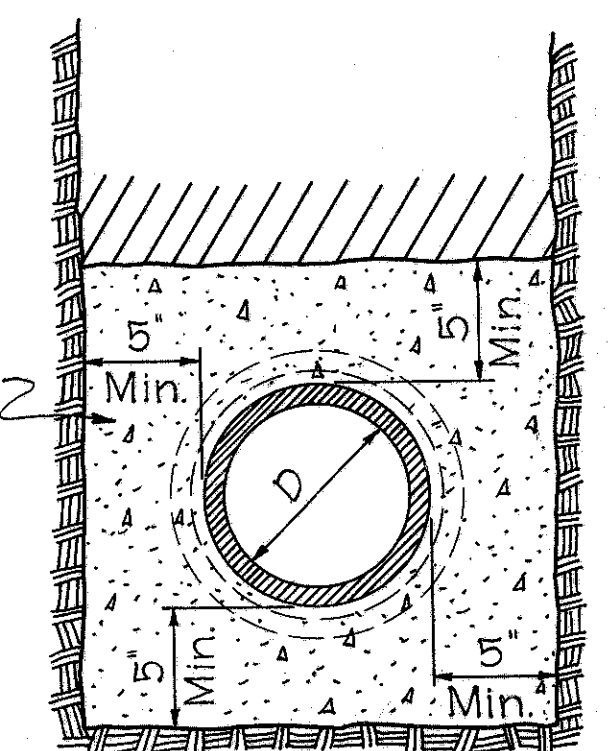


Note:
No. 34 Aggregate shall be used with a 6" layer of No. 6 Aggregate over the top and sealed with Tarred Paper or Tarred Burlap. Aggregates, Tarred Paper or Tarred Burlap and necessary Excavation for Spring Drains shall be paid for at the Unit Price Bid Per Lin. Ft. of "Item I-9, Stone Underdrains, No. 1," as per plan. Spring Drains are to be placed at locations designated by the Engineer.
Estimated Quantities of I-9, Stone Underdrains, No. 1, and of 6" I-1 Pipe, Class I-3 are carried in the General Notes (Sheet No. 12) for draining springs. This Item shall be non-performed in the event that none are encountered and payment is to be made on final measurement. A Spring Drain constitutes 3 lin. ft.

DETAIL SECTION SPRING DRAIN



NOTE:
Steps shall be wrought iron or nodular iron meeting the requirements of Item I-8 and shall be given one coat of paint Sec. M-9.18 or Sec. M-9.19.
Steps are required only when depth of inlet exceeds six feet.



CONCRETE ENCASEMENT DETAIL