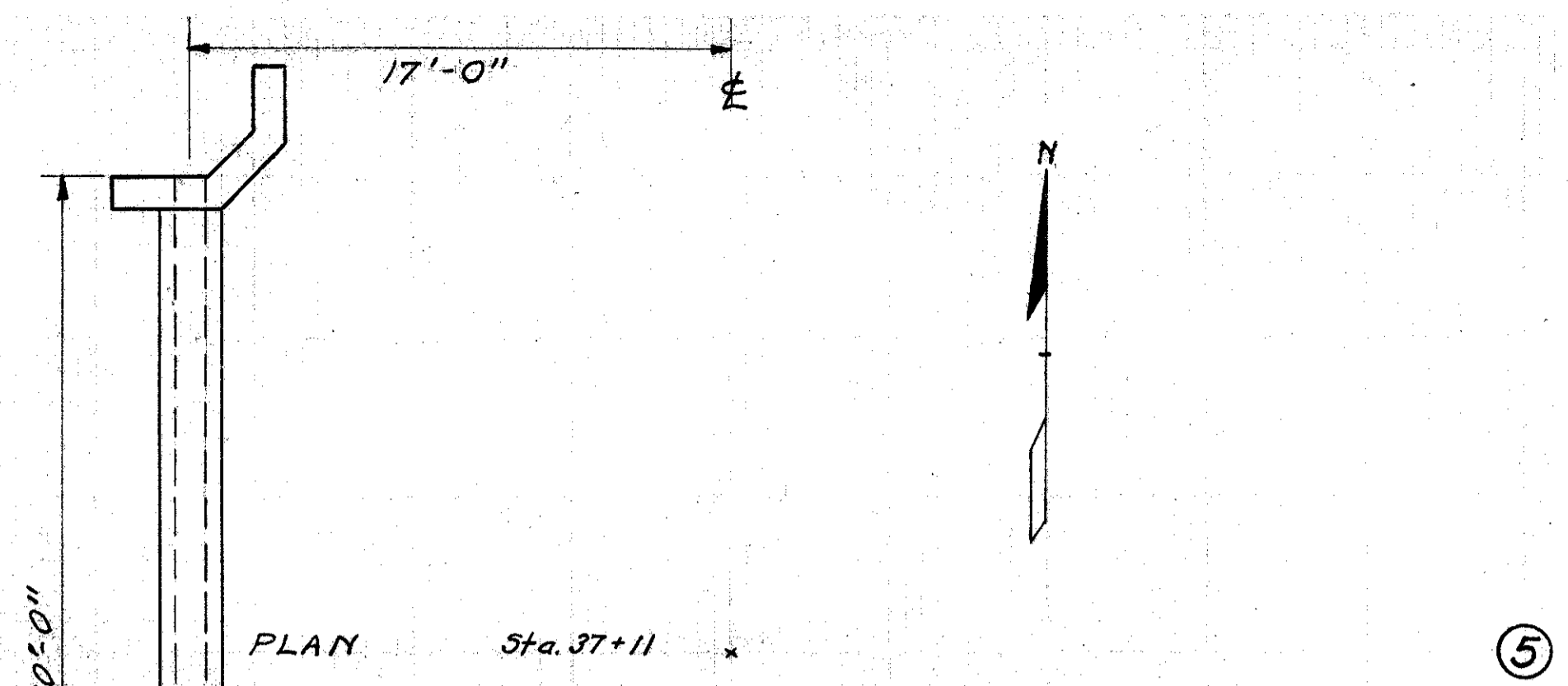


FED. RD. DIST. NO.	STATE	FED. AID PROJECT	FISCAL YEAR
10	OHIO	388-D	1926

I-C-H 324 SEC. E  
 GEAUGA COUNTY  
 GEA-44-(8.88-10.92)

17  
19

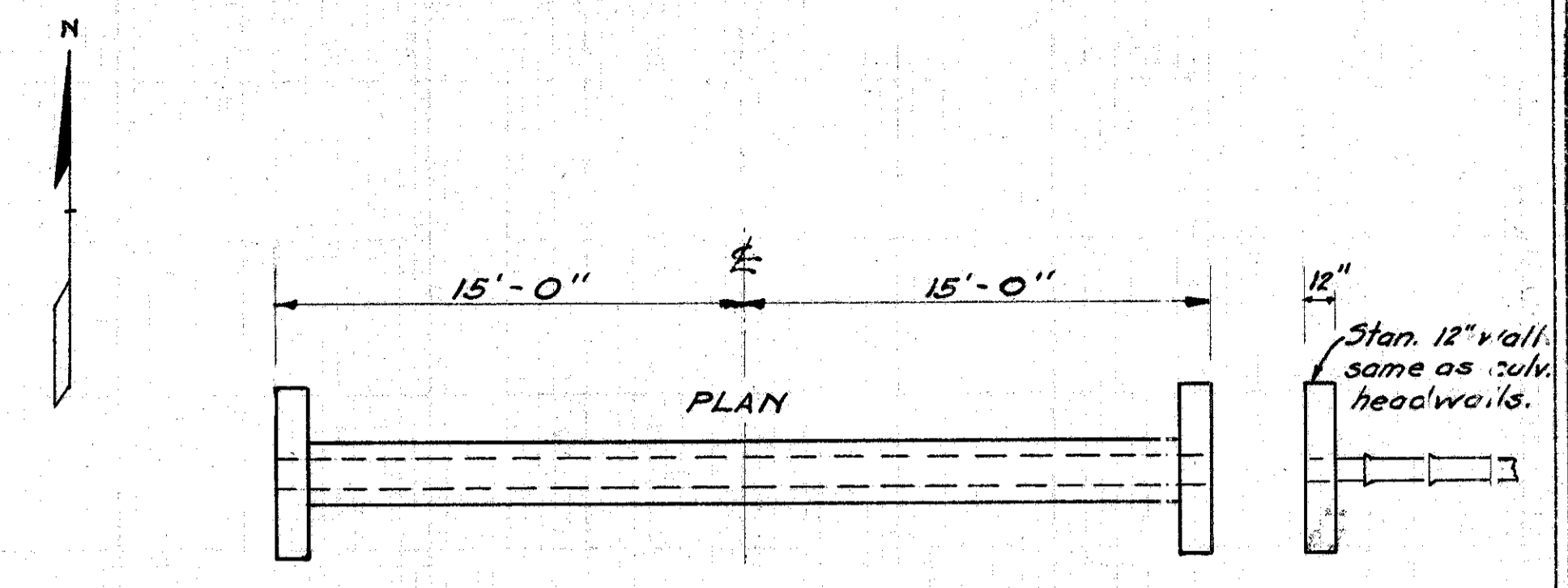
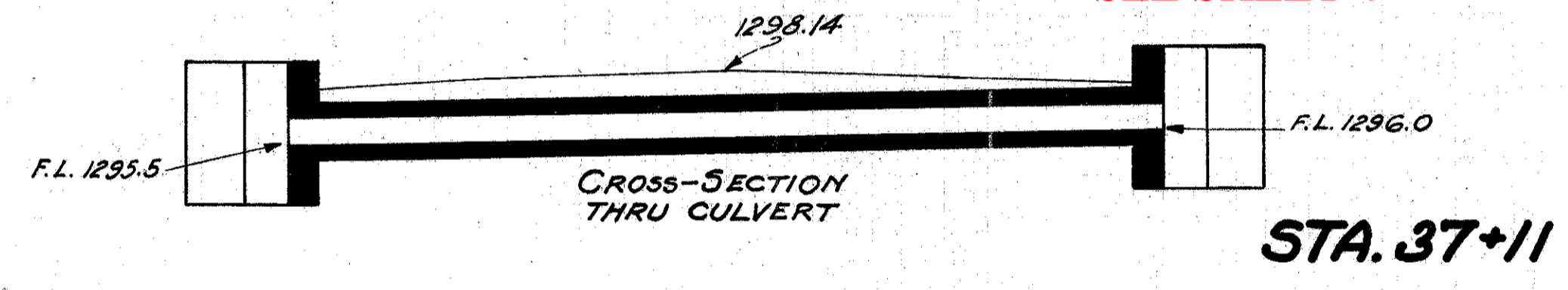


**CULVERT DATA**  
 Type Stan. Side road Culvert. Dr. #300  
 Size 12" x 30"  
 Work Req'd:- Remove old 8" x 18" C.I.P. at Sta. 37+52. Build new side road V.S.P. Culvert.

**EST. QUANTITIES**  
 Excav. 10 Cu. Yds. ✓  
 Conc. 1-2-3/4 2.6 Cu. Yds. ✓  
 Conc. 1-3-5 3.0 Cu. Yds. ✓  
 Reinf. Steel 60 Lbs. ✓  
 12" V.S.P. 30 Lin. Ft. ✓

Drawn by G.R.H. Checked by Date  
 Date Jan. 1926

old CFN 280440963  
 new CFN 1812929  
 SLM 9.58, 12"  
 SEE SHEET 4

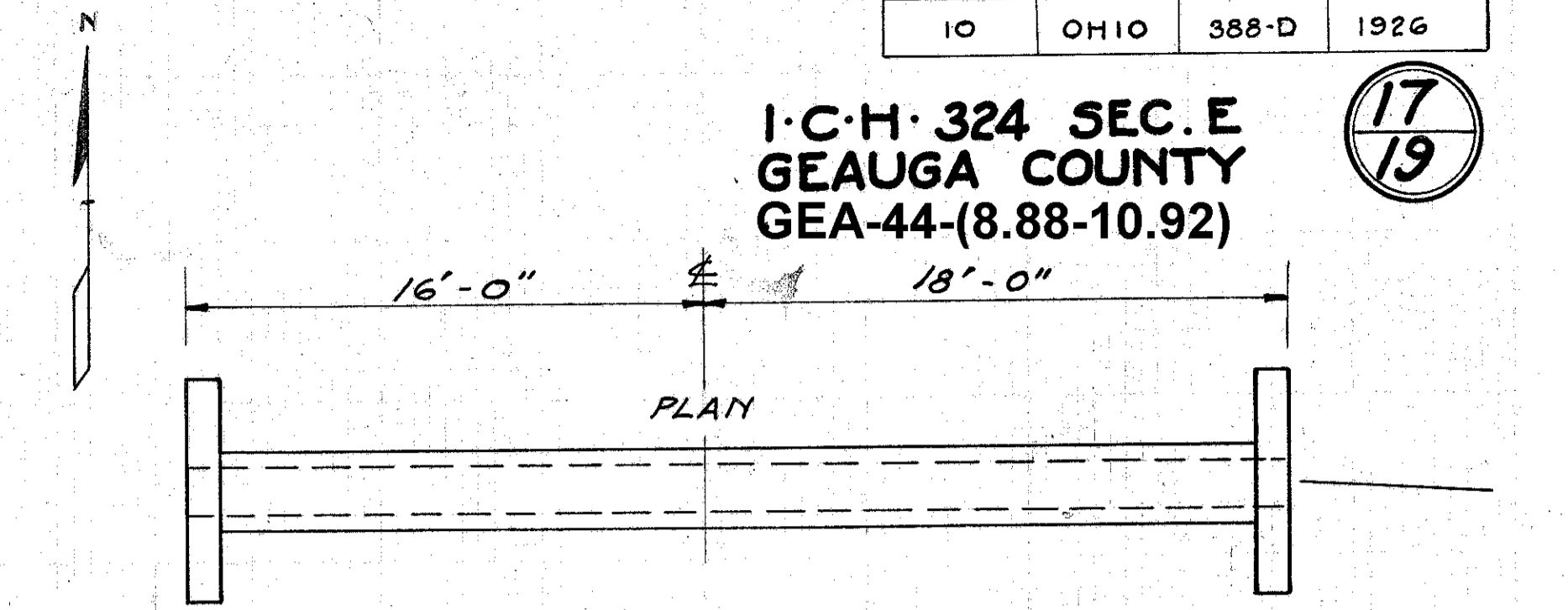
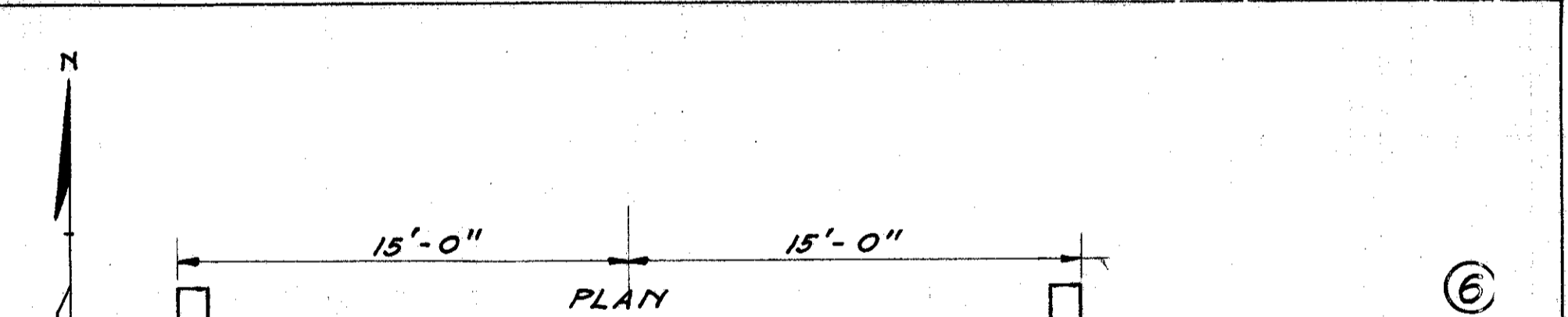


AT SOME POINT CBs WERE INSTALLED AT BOTH THE INLET AND OUTLET ENDS, DITCHES ELIMINATED AND BOTH ENDS EXTENDED.

old CFN 280440999  
 new CFN 1812934  
 SLM 9.99, 12"  
 SEE SHEET 4

**CULVERT DATA**  
 Type Stand V.S.P. Culvert Dr. #300.  
 Size 12" x 30"  
 Work Req'd. Remove remains of old 8" pipe at Sta. 53+91. Build new 12" V.S.P. Culvert. 230 Lin. Ft. 10" V.S.P. drain complete, including Conc. headwall.

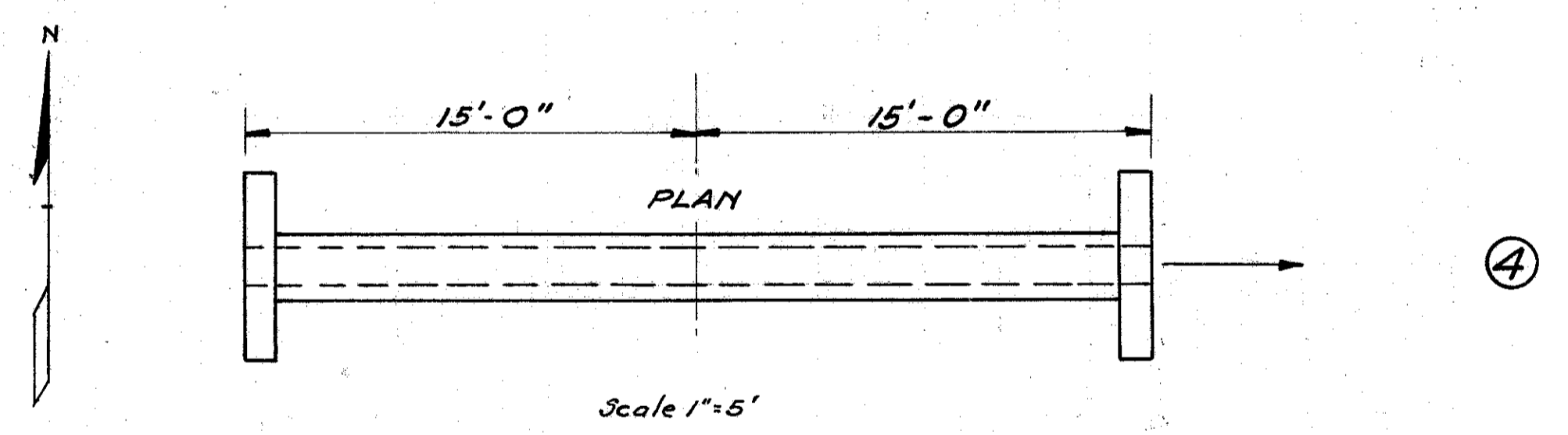
**EST. QUANTITIES**  
 Excav. 10 Cu. Yds. ✓  
 Conc. 1-2-3/4 3.0 Cu. Yds. ✓  
 Conc. 1-3-5 3.0 Cu. Yds. ✓  
 Reinf. Steel 98 Lbs. ✓  
 12" V.S.P. 30 Lin. Ft. ✓  
 10" V.S.P. Complete 230 Lin. Ft. ✓



**CULVERT DATA**  
 Type Stan. V.S.P. Culvert Dr. #300.  
 Size 18" x 34"  
 Work Req'd:- Remove old 12" x 19 1/2" pipe. Build new V.S.P. culvert.

**EST. QUANTITIES**  
 Excav. 18 Cu. Yds. ✓  
 Conc. 1-2-3/4 2.7 Cu. Yds. ✓  
 Conc. 1-3-5 4.9 Cu. Yds. ✓  
 Reinf. Steel 80 Lbs. ✓  
 18" V.S.P. 34 Lin. Ft. ✓

Drawn by G.R.H. Checked by Date  
 Date Jan. 1926

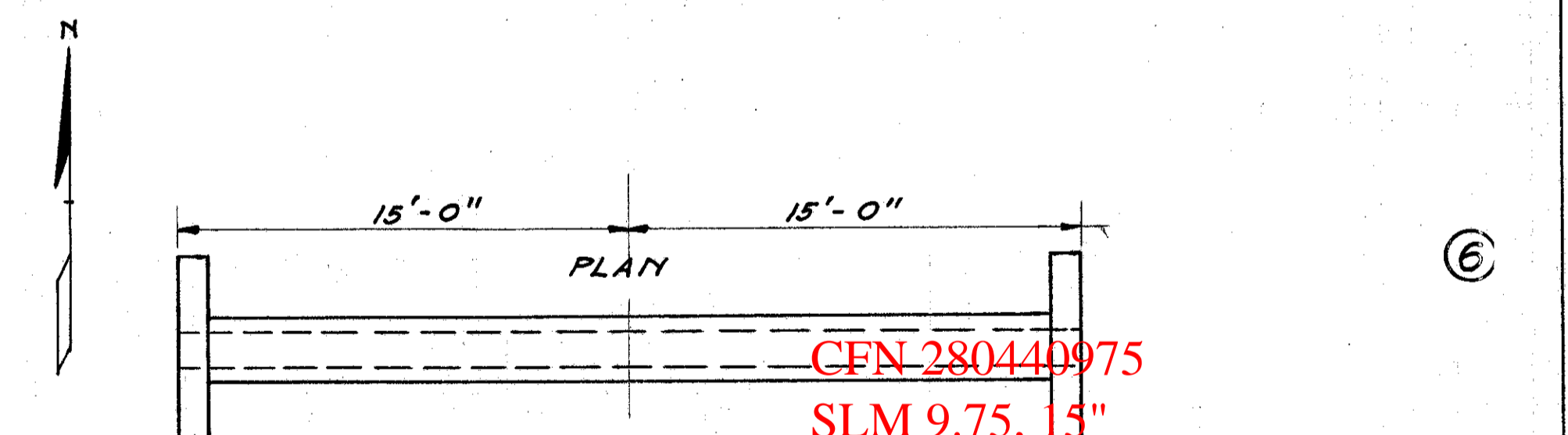
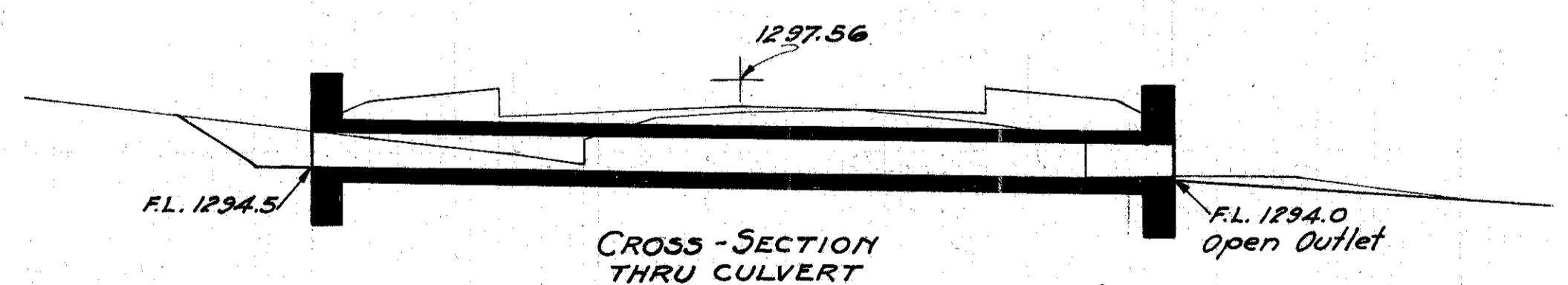


**CULVERT DATA**  
 Type Stan. V.S.P. Culvert Dr. #300.  
 Size 15" x 30"  
 Work Req'd:- Remove remains of old 10" pipe. Build V.S.P. culvert.

**EST. QUANTITIES**  
 Excav. 10 Cu. Yds. ✓  
 Conc. 1-2-3/4 2.3 Cu. Yds. ✓  
 Conc. 1-3-5 3.6 Cu. Yds. ✓  
 Reinf. Steel 70 Lbs. ✓  
 15" V.S.P. 30 Lin. Ft. ✓

Drawn by G.R.H. Checked by Date  
 Date Jan. 1926

old CFN 280440961  
 new CFN 1812928  
 SLM 9.61, 15"  
 SEE SHEET 4

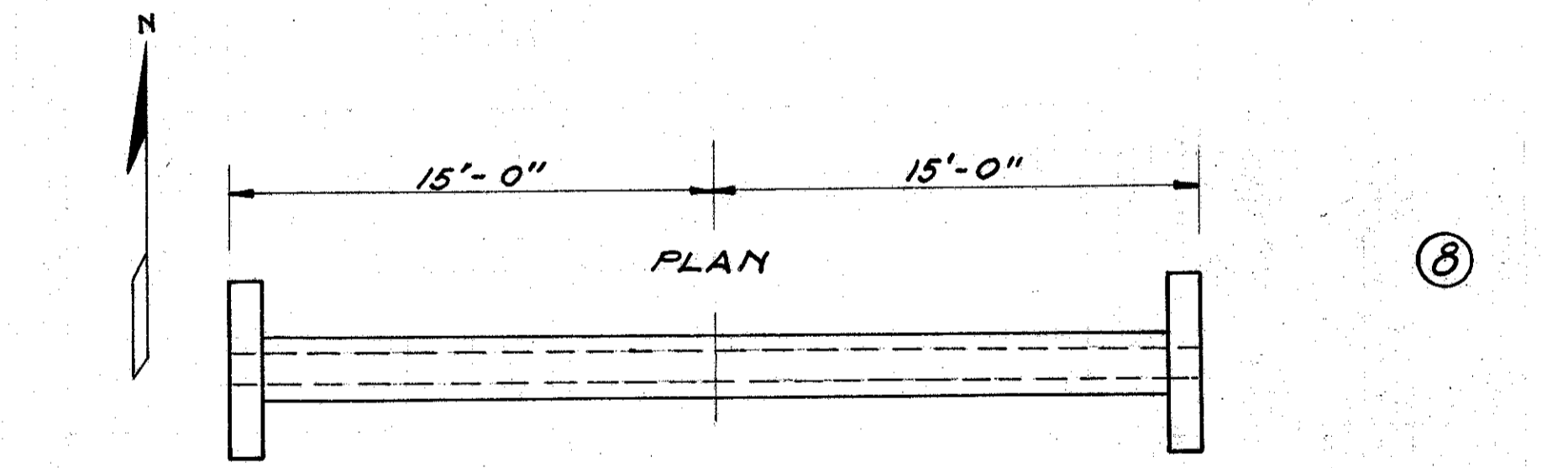
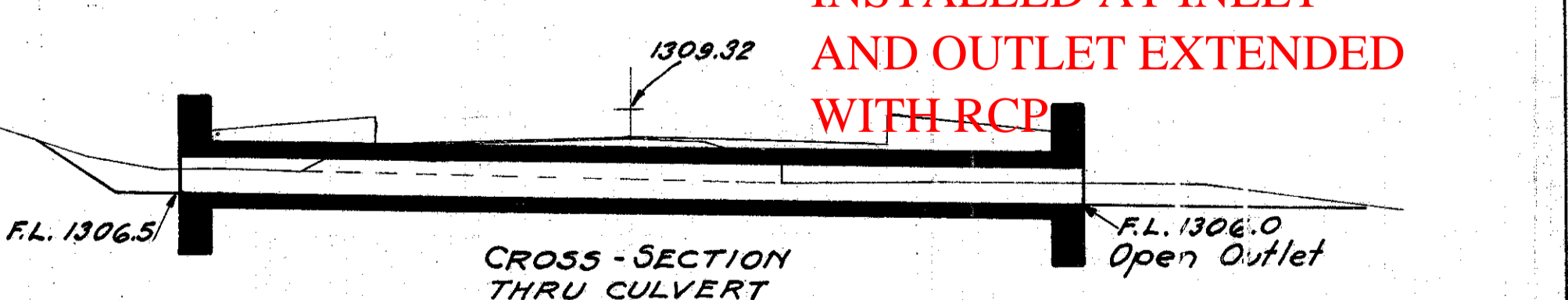


**CULVERT DATA**  
 Type Stan. V.S.P. culvert Dr. #300.  
 Size 15" x 30"  
 Work Req'd:- Remove old 10" x 18" C-I-P. Build new V.S.P. culvert.

**EST. QUANTITIES**  
 Excav. 10 Cu. Yds. ✓  
 Conc. 1-2-3/4 2.3 Cu. Yds. ✓  
 Conc. 1-3-5 3.6 Cu. Yds. ✓  
 Reinf. Steel 70 Lbs. ✓  
 15" V.S.P. 30 Lin. Ft. ✓

Drawn by G.R.H. Checked by Date  
 Date Jan. 1926

CFN 280440975  
 SLM 9.75, 15"  
 SEE SHEET 4  
 AT SOME POINT A CB INSTALLED AT INLET AND OUTLET EXTENDED WITH RCP.



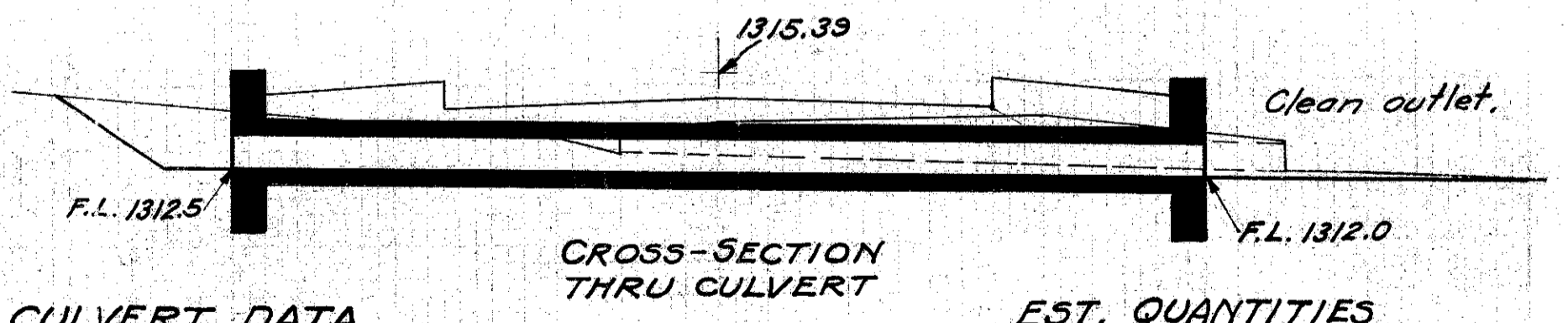
**CULVERT DATA**  
 Type Stan. V.S.P. Culvert Dr. #300.  
 Size 12" x 30"  
 Work Req'd:- Remove old 10" x 20 1/2" C-I-P. Build new V.S.P. Culvert.

**EST. QUANTITIES**  
 Excav. 10 Cu. Yds. ✓  
 Conc. 1-2-3/4 2.0 Cu. Yds. ✓  
 Conc. 1-3-5 3.0 Cu. Yds. ✓  
 Reinf. Steel 65 Lbs. ✓  
 12" V.S.P. 30 Lin. Ft. ✓

Drawn by G.R.H. Checked by Date  
 Date Jan. 1926

AT SOME POINT A CB WAS INSTALLED AT THE INLET AND THE OUTLET WAS EXTENDED WITH RCP.

CFN 280441013  
 SLM 10.13, 12"  
 SEE SHEET 4



STA. 63+53