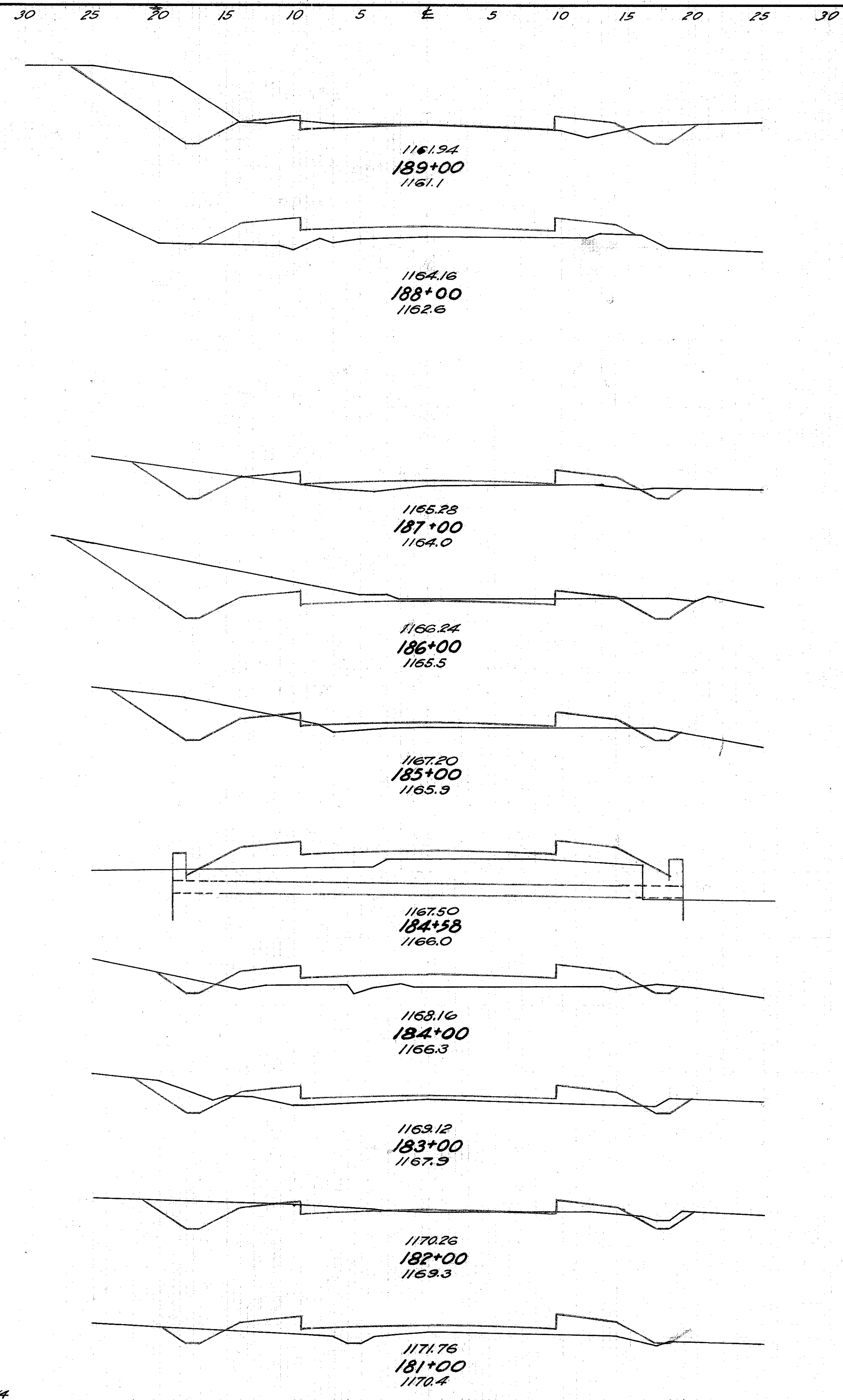


End Area	Cu. Yds.	End Area	Cu. Yds.
Cut	Fill	Cut	Fill
32	5		
	59	65	
0	30		
	22	83	
12	15		
	115	32	
50	2		
	131	24	
21	11		
	16	34	
0	33		
	3	66	
3	28		
	22	85	
9	18		
	41	39	
13	3		
	30	50	
3	24		

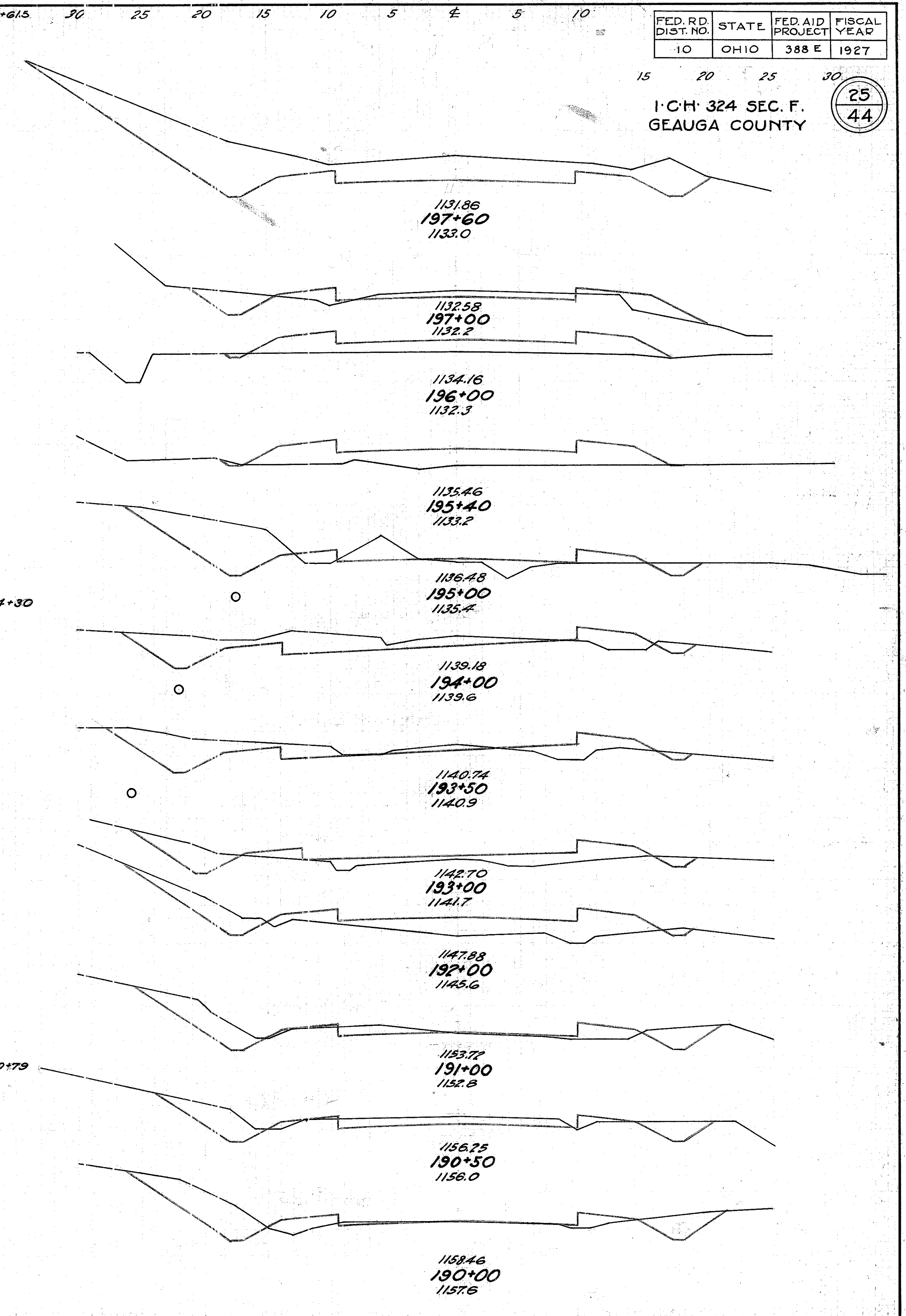
Excav. 637 Cu. Yds.
Emb. 531 Cu. Yds.



End Area	Cu. Yds.	End Area	Cu. Yds.
Cut	Fill	Cut	Fill
	202	0	
105	0		
	132	11	
14	10		
	26	81	
0	34		
	0	85	
0	42		
	30	41	
40	13		
	139	37	
35	7		
	59	16	
29	10		
	38	28	
12	21		
	46	102	
13	34		
	74	74	
27	6		
	53	7	
31	2		
	54	7	
28	6		
	111	20	

Excav. 299 Cu. Yds.
Emb. 244 Cu. Yds.

Excav. 282 Cu. Yds.
Emb. 235 Cu. Yds.



FED. RD. DIST. NO.	STATE	FED. AID PROJECT	FISCAL YEAR
10	OHIO	388 E	1927

1-CM-324 SEC. F.
GEAUGA COUNTY

25
44