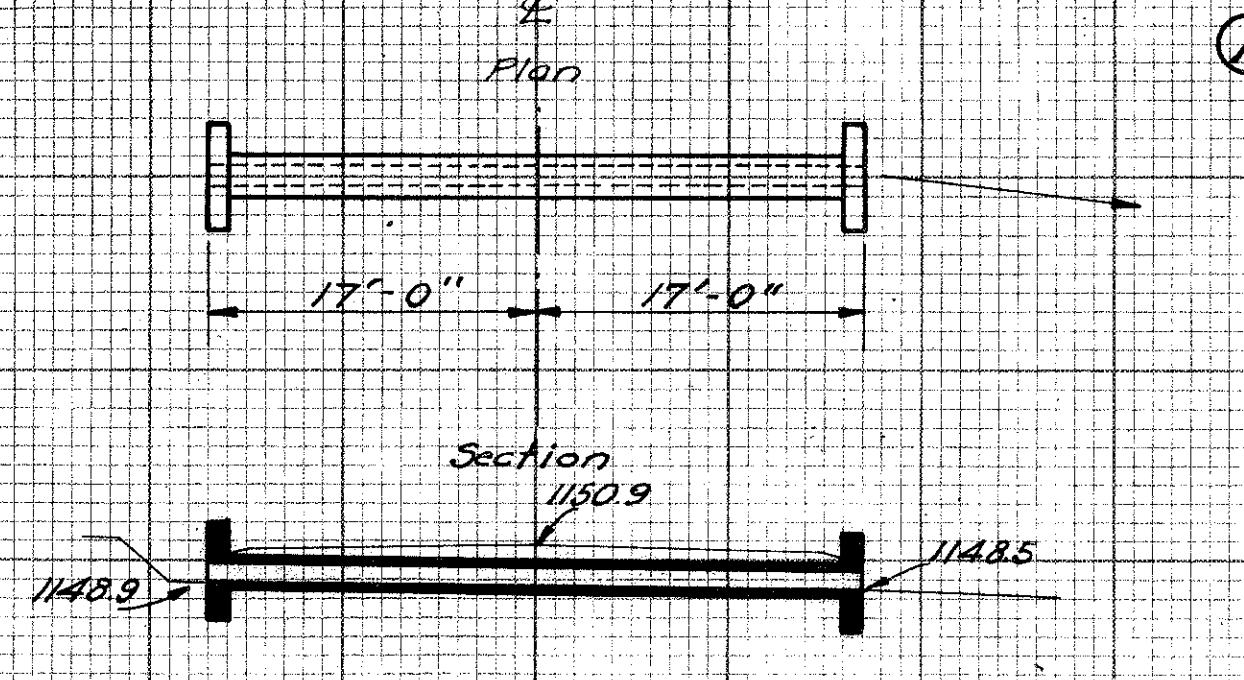


DATE: _____
 BY: _____
 SURVEYED _____
 PLOTTED _____
 TEMPLATE _____
 NOTE BOOK _____
 AREA CHECKED _____
 NO. _____

DATE: _____
 BY: _____
 SURVEYED _____
 PLOTTED _____
 TEMPLATE _____
 NOTE BOOK _____
 AREA CHECKED _____
 NO. _____

CFN 287000233
 REPLACED IN 2004
 UNDER GEA-700-0-00
 I.C.H. 54 SEC. M.
 GEauga COUNTY

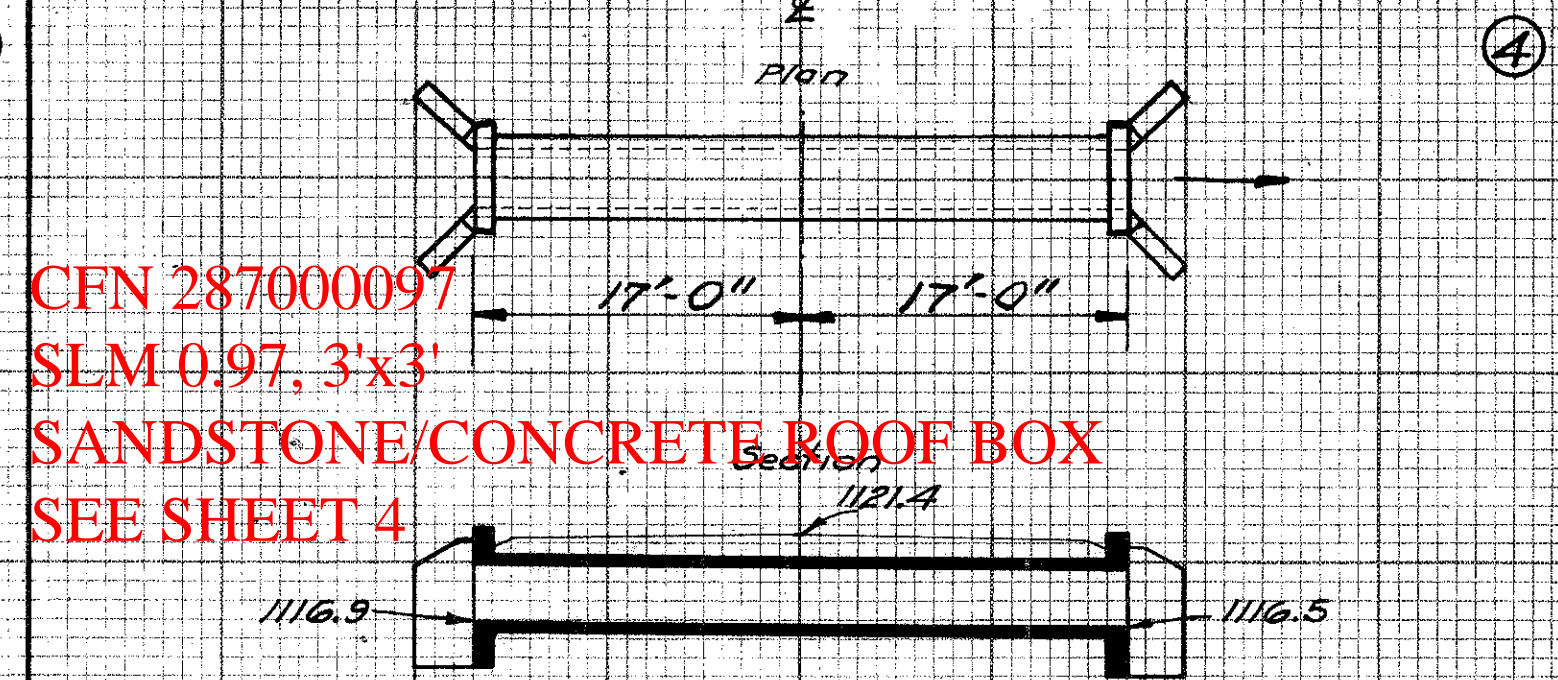


CFN 287000027
SLM 0.27, 12"
SEE SHEET 3

WORK REQ'D.
 Remove old pipe
 Build new Std. 12" V.S.P. Enc. Culv.
 Std. Dr. 300.

EST. QUANTITIES
 Approx. Exc. = 16 Cu.Yds.
 1-5 1/2 Conc. = 2.0 Cu.Yds.
 1-8 Conc. = 3.5 Cu.Yds.
 Steel = 65 Lbs.
 12" V.S.P. = 34 Lin.Ft.

STA. 14+16

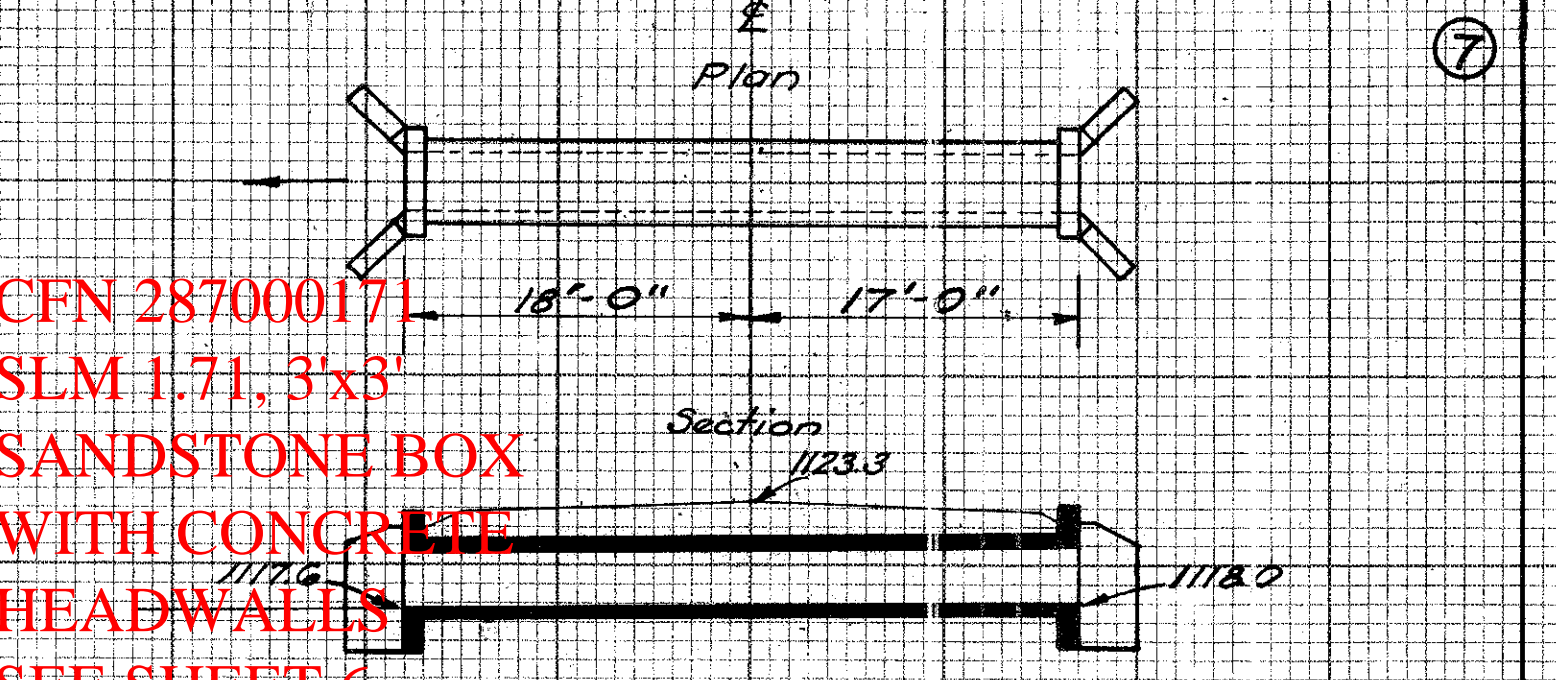


CFN 287000097
SLM 0.97, 3'x3'
SANDSTONE/CONCRETE ROOF BOX
SEE SHEET 4

WORK REQ'D.
 Remove old 2 1/2 x 2 1/2 stone box
 Build new Std. 3'x3' Conc. Box Culv.
 Std. Dr. 301.

EST. QUANTITIES
 Approx. Exc. = 25 Cu.Yds.
 1-5 1/2 Conc. = 15.7 Cu.Yds.
 Steel = 769 Lbs.

STA. 51+12

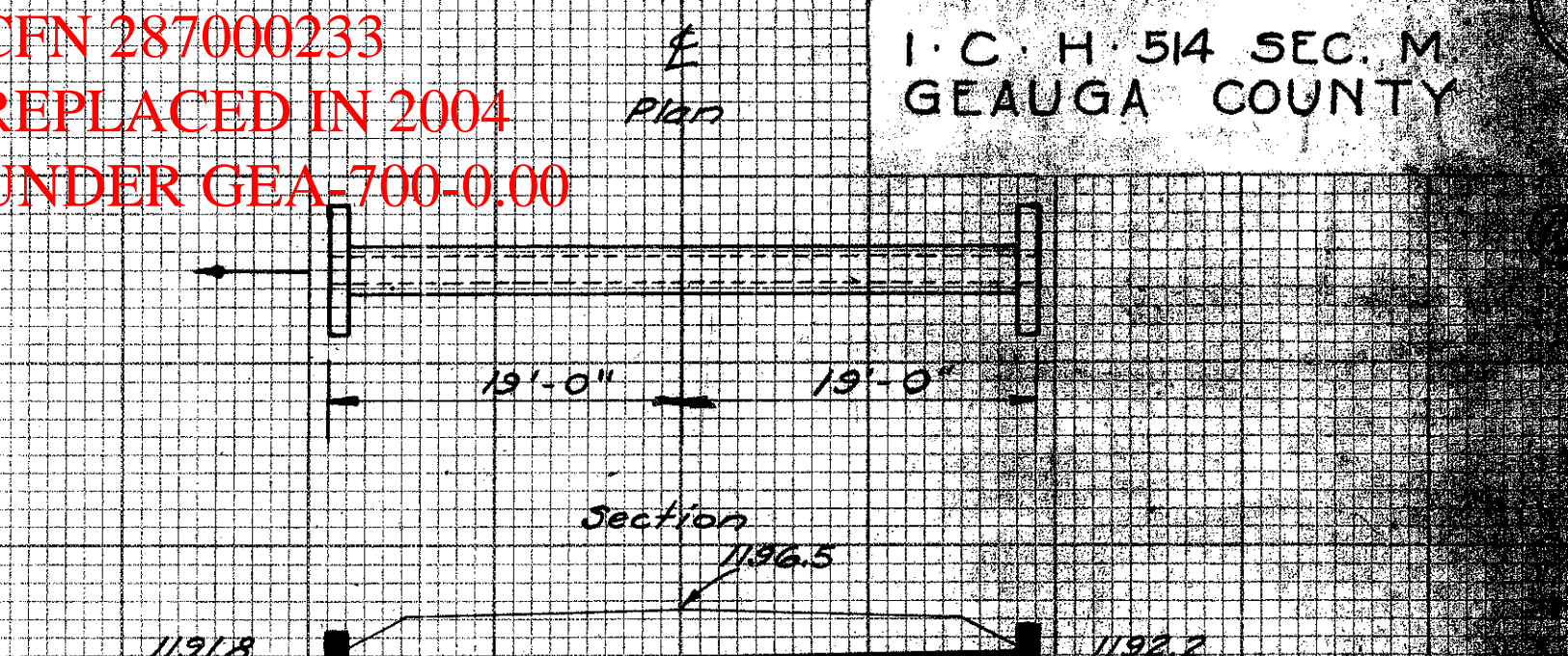


CFN 287000171
SLM 1.71, 3'x3'
SANDSTONE BOX
WITH CONCRETE
HEADWALLS
SEE SHEET 6

WORK REQ'D.
 Remove old stone box Culv.
 Build new Std. 3'x3' Conc. Box Culvert.
 Std. Dr. 301.
 (Remove old pipe at Sta. 87+13)
 Abandon this location.

EST. QUANTITIES
 Approx. Exc. = 30 Cu.Yds.
 1-5 1/2 Conc. = 16.0 Cu.Yds.
 Steel = 783 Lbs.

STA. 90+05

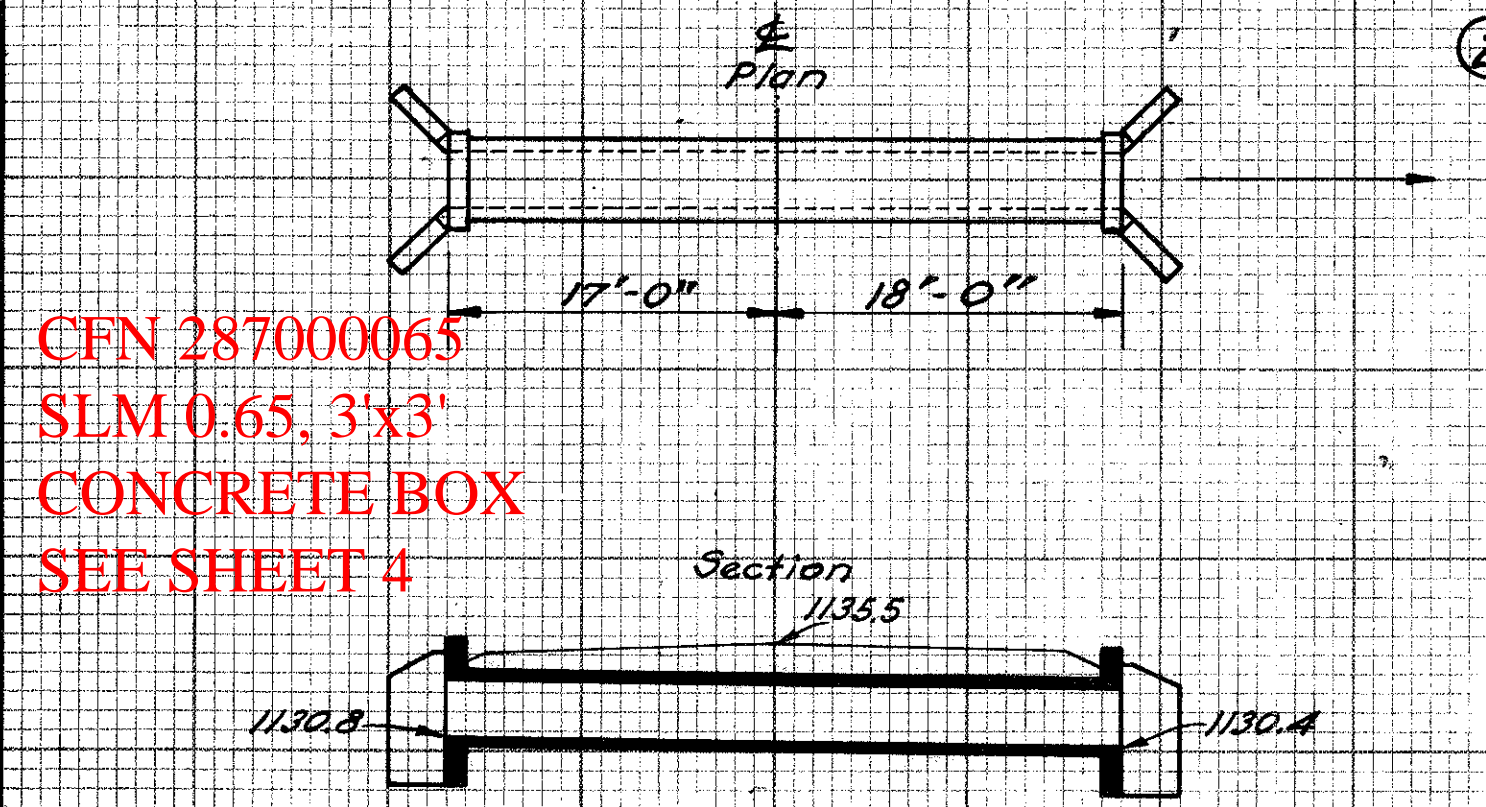


CFN 287000233
REPLACED IN 2004
UNDER GEA-700-0-00

WORK REQ'D.
 Remove old 10" pipe.
 Build new Std. 18" V.S.P. Enc. Culv.
 Std. Dr. 300.

EST. QUANTITIES
 Approx. Exc. = 16 Cu.Yds.
 1-5 1/2 Conc. = 2.0 Cu.Yds.
 1-8 Conc. = 3.5 Cu.Yds.
 Steel = 80 Lbs.
 18" V.S.P. = 38 Lin.Ft.

STA. 127+17

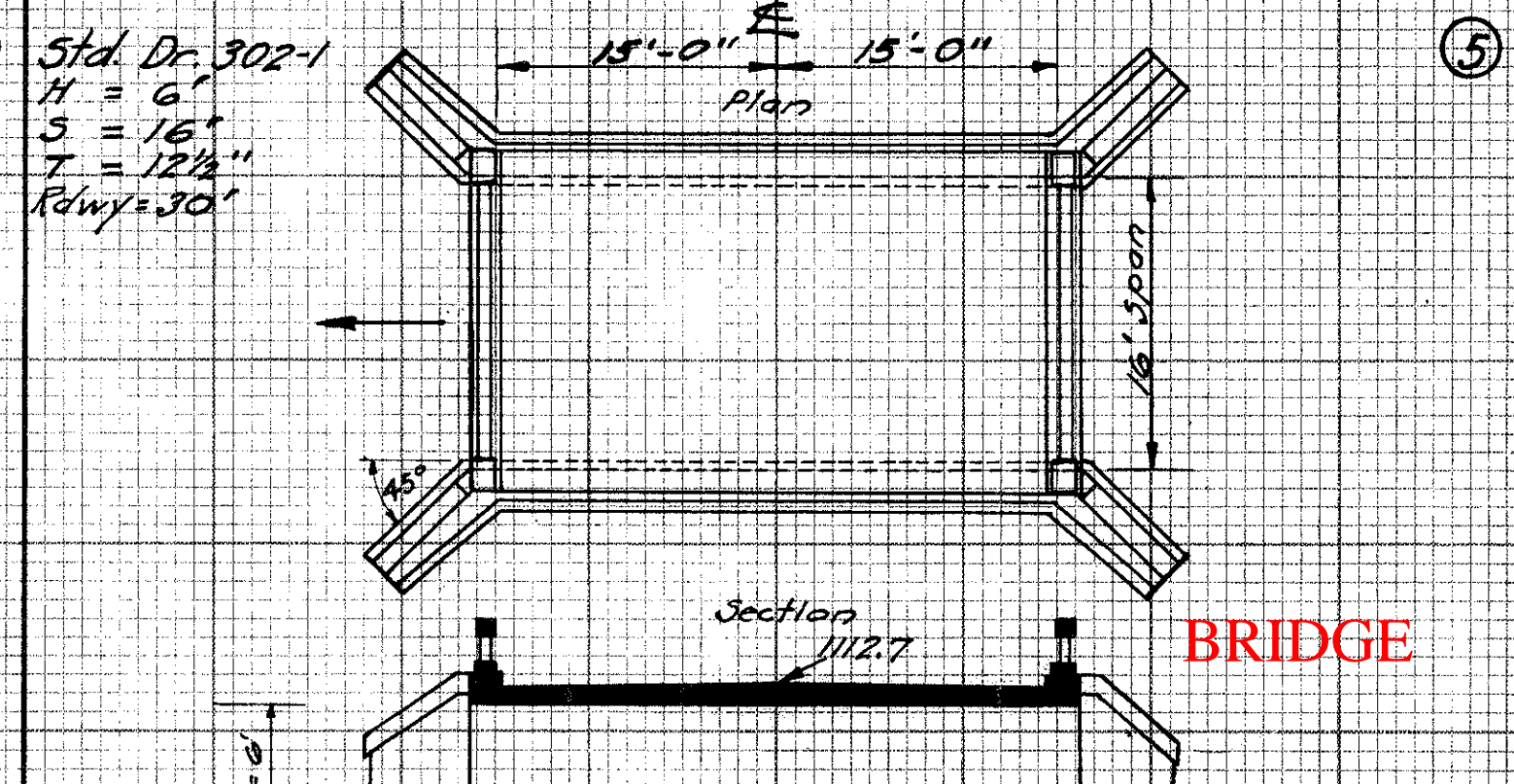


CFN 287000065
SLM 0.65, 3'x3'
CONCRETE BOX
SEE SHEET 4

WORK REQ'D.
 At Sta. 32+06 Abandon old Culv.
 At Sta. 34+05, Remove old 20" C.I.P. and build new Std. 3'x3' Conc. Box Culv. at Sta. 34+27.
 Std. Dr. 301.

EST. QUANTITIES
 Approx. Exc. = 35 Cu.Yds.
 1-5 1/2 Conc. = 16 Cu.Yds.
 Steel = 785 Lbs.

STA. 34+27



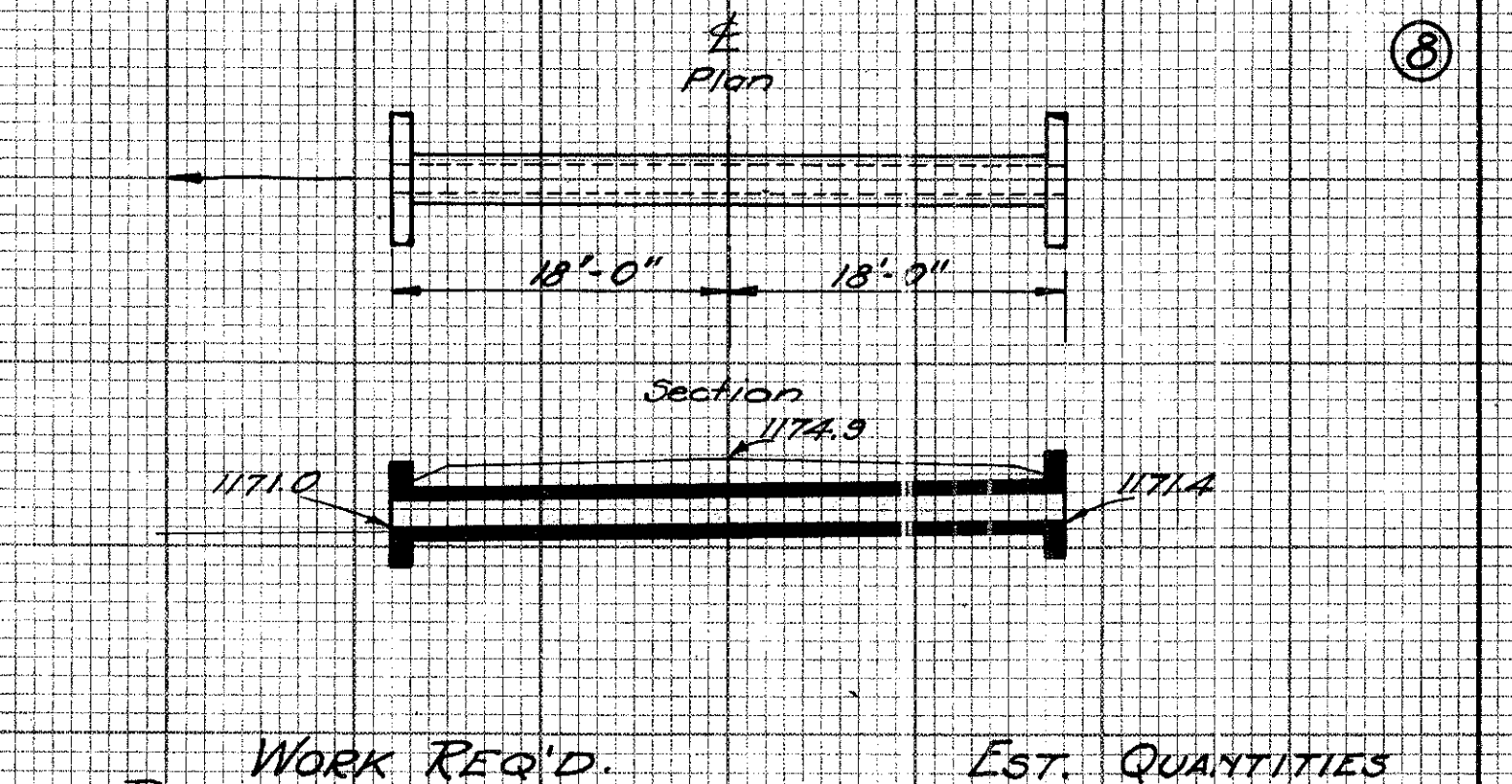
BRIDGE

WORK REQ'D.
 Remove old 20" x 14" Iron Bridge.
 Build new Std. 16' span by 30' roadway Conc. Slab Bridge.
 Std. Dr. 302-1.

EST. QUANTITIES
 Approx. Exc. = 75 Cu.Yds.
 1-5 1/2 Conc. = 22.4 Cu.Yds.
 1-6 1/2 Conc. = 37.7 Cu.Yds.
 1-8 Conc. = 19.2 Cu.Yds.
 Steel = 2696 Lbs.
 Conc. Guard Rail = 36 Lin.Ft.

Flex Footers 1102.00

STA. 76+63

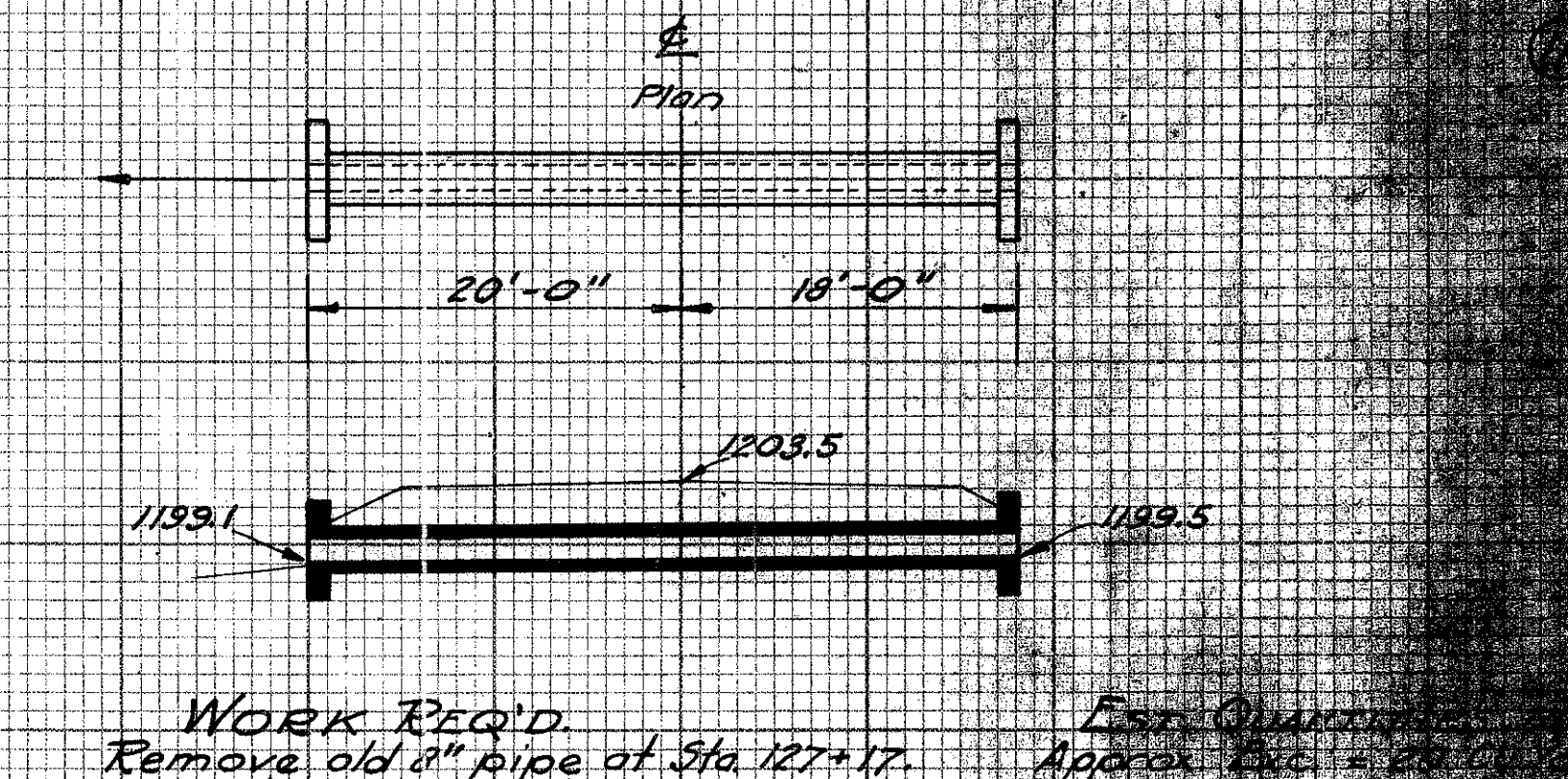


CFN 287000204
SLM 2.04, 18"
SEE SHEET 6

WORK REQ'D.
 Remove old 10" pipe
 Build new 18" V.S.P. Enc. Culv.
 Std. Dr. 300.

EST. QUANTITIES
 Approx. Exc. = 15 Cu.Yds.
 1-5 1/2 Conc. = 2.7 Cu.Yds.
 1-8 Conc. = 5.2 Cu.Yds.
 Steel = 30 Lbs.
 18" V.S.P. = 36 Lin.Ft.

STA. 107+54

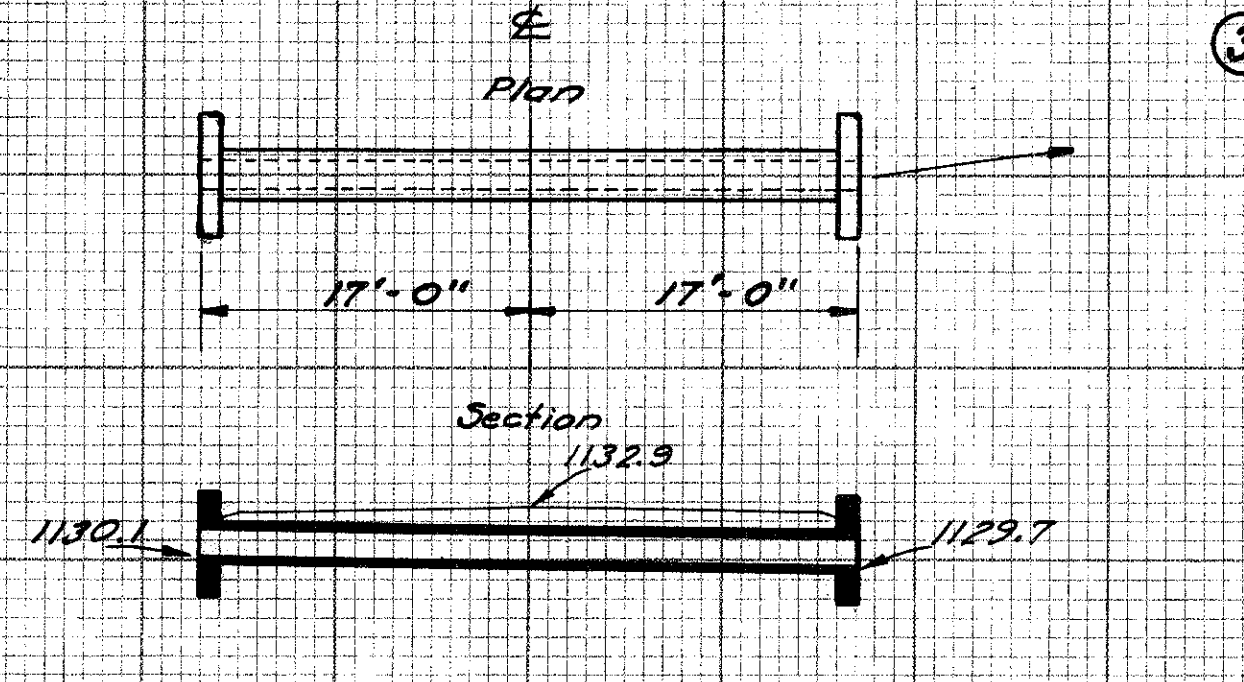


CFN 287000248
SLM 2.48, 15"
SEE SHEET 7

WORK REQ'D.
 Remove old 8" pipe at Sta. 127+17.
 Abandon same location.
 Remove old 6" pipe at Sta. 130+35.
 Build new Std. 15" V.S.P. Enc. Culv.
 Std. Dr. 300.

EST. QUANTITIES
 Approx. Exc. = 16 Cu.Yds.
 1-5 1/2 Conc. = 2.0 Cu.Yds.
 1-8 Conc. = 3.5 Cu.Yds.
 Steel = 80 Lbs.
 15" V.S.P. = 30 Lin.Ft.

STA. 130+35

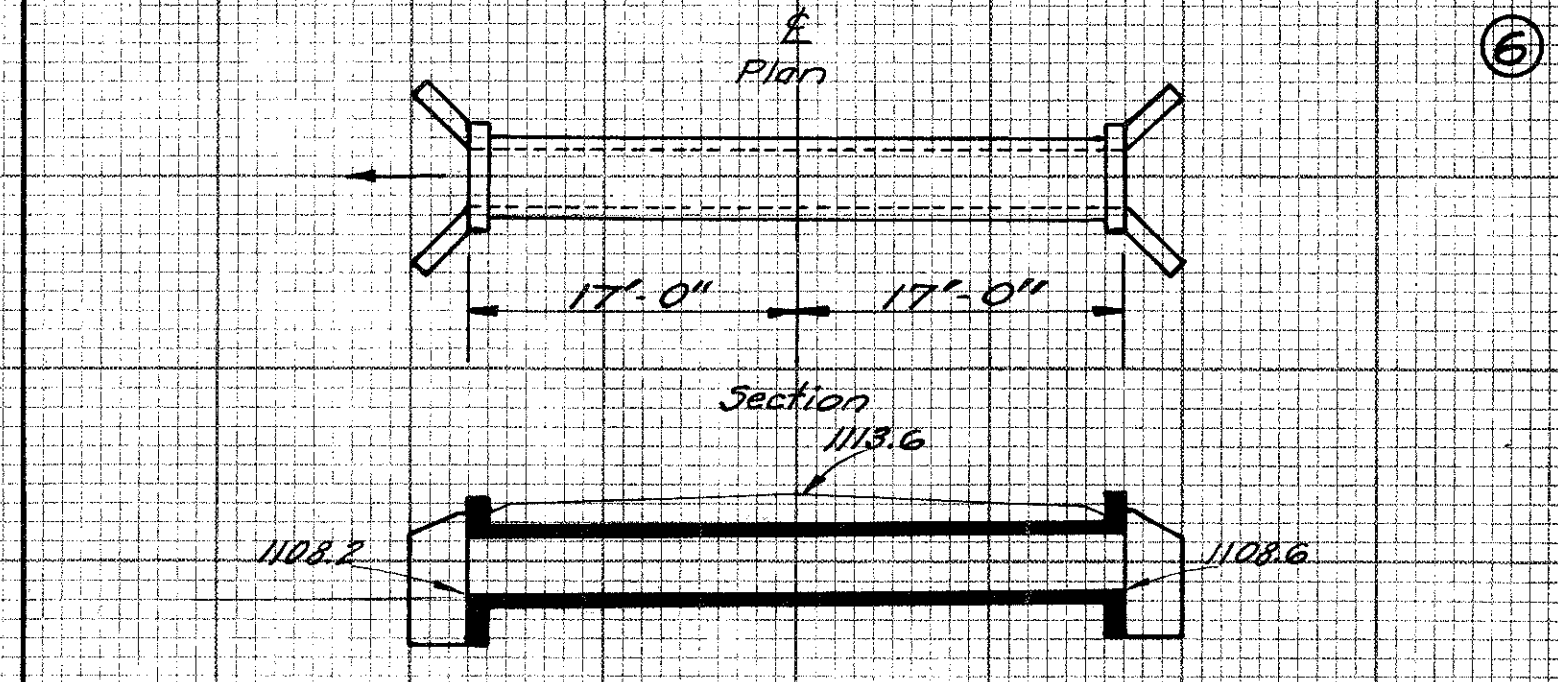


CFN 287000076
SLM 0.76, 12"
SEE SHEET 4

WORK REQ'D.
 Remove old 14" C.I.P. and build Std. 18" V.S.P. Enc. Culv.
 Std. Dr. 300.

EST. QUANTITIES
 Approx. Exc. = 10 Cu.Yds.
 1-5 1/2 Conc. = 2.7 Cu.Yds.
 1-8 Conc. = 4.9 Cu.Yds.
 Steel = 80 Lbs.
 18" V.S.P. = 34 Lin.Ft.

STA. 40+14

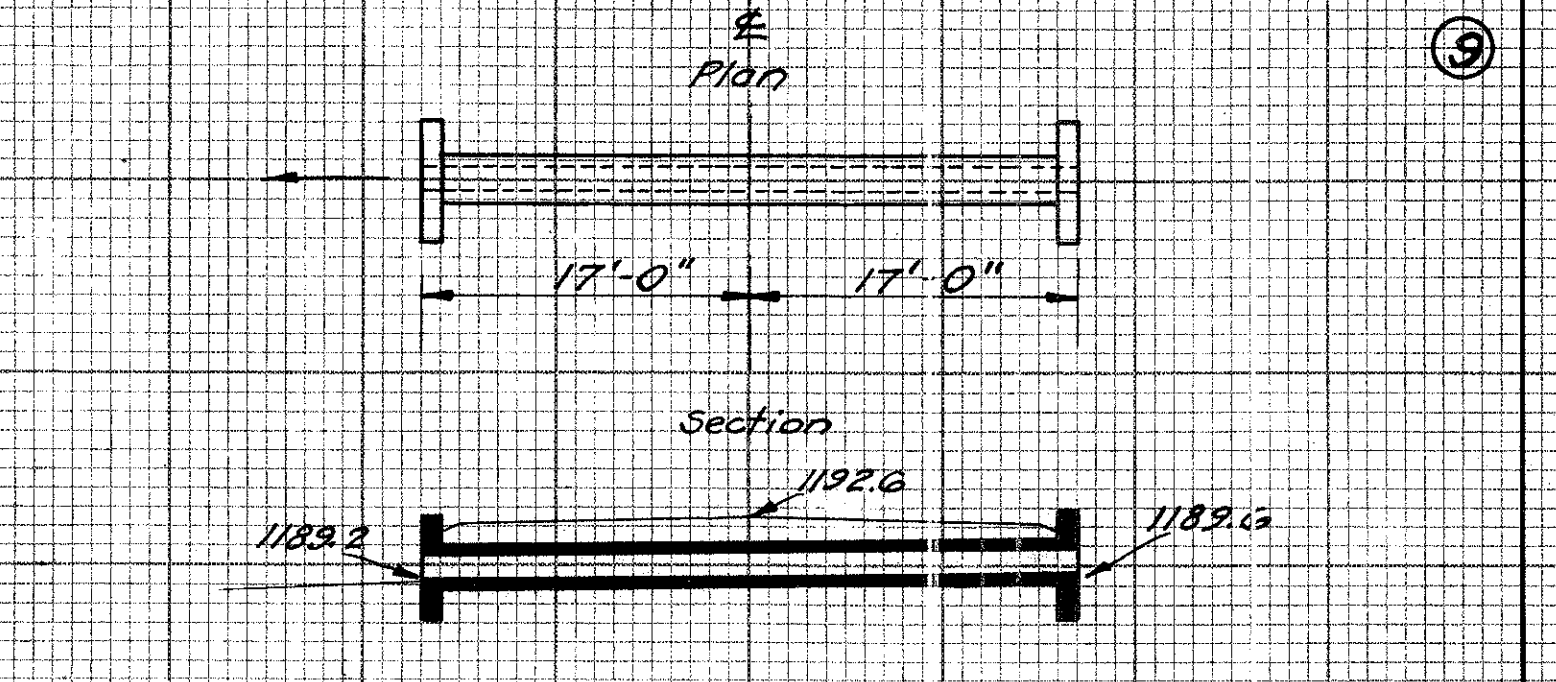


CFN 287000158
SLM 1.58, 3'x3'
CONCRETE BOX
SEE SHEET 5

WORK REQ'D.
 Remove old stone Culv.
 Build new Std. 3'x3' Conc. Box Culvert.
 Std. Dr. 301.

EST. QUANTITIES
 Approx. Exc. = 35 Cu.Yds.
 1-5 1/2 Conc. = 15.7 Cu.Yds.
 Steel = 763 Lbs.

STA. 83+215

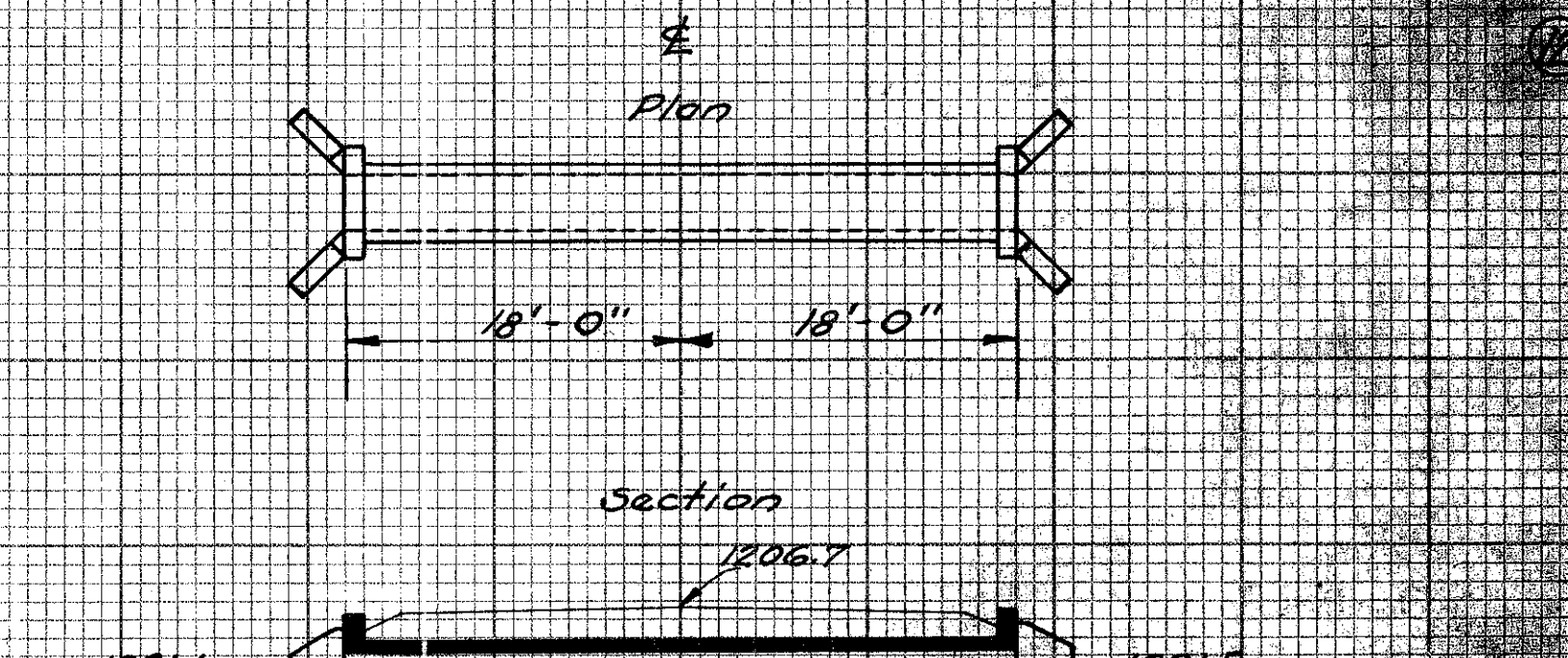


CFN 287000217
SLM 2.17, 15"
SEE SHEET 6

WORK REQ'D.
 Remove old pipe.
 Build new 15" V.S.P. Enc. Culv.
 Std. Dr. 300.

EST. QUANTITIES
 Approx. Exc. = 16 Cu.Yds.
 1-5 1/2 Conc. = 2.3 Cu.Yds.
 1-8 Conc. = 4.2 Cu.Yds.
 Steel = 70 Lbs.
 15" V.S.P. = 34 Lin.Ft.

STA. 114+35



CFN 287000254
SLM 2.54, 3'x3'
CONCRETE BOX
SEE SHEET 7

WORK REQ'D.
 Remove old stone box Culv.
 Build new 3'x3' Conc. Box Culv.
 Std. Dr. 301.

EST. QUANTITIES
 Approx. Exc. = 25 Cu.Yds.
 1-5 1/2 Conc. = 16.3 Cu.Yds.
 Steel = 1006 Lbs.

STA. 133+85