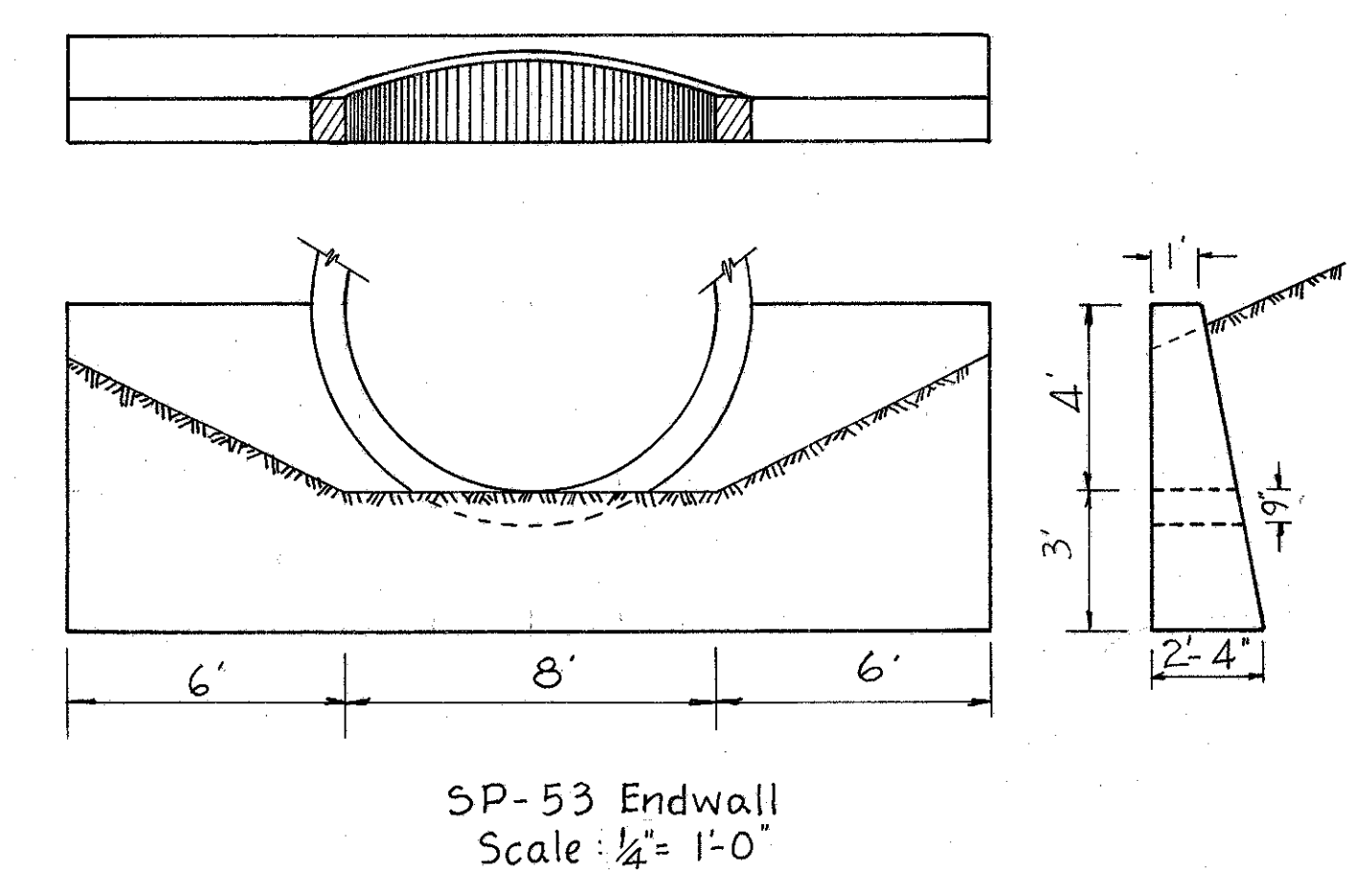


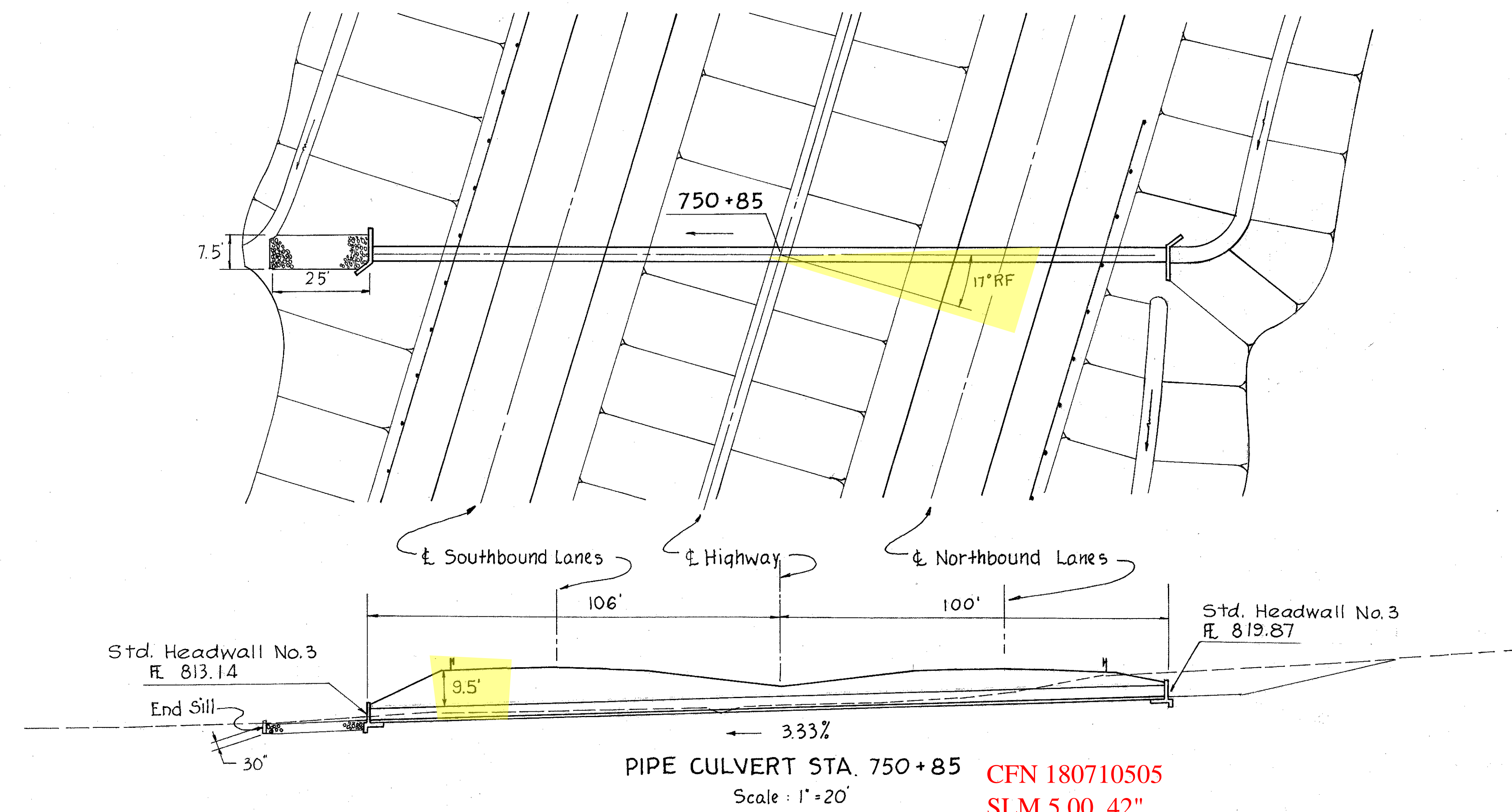
**ESTIMATED QUANTITIES**

I-1	96" Class A-1 Pipe Sec. M6.6(a)	222 L.F.
I-2	Masonry	13.0 C.Y.
I-10	Dumped Rock Channel Protection	28 C.Y.
L-10	Sodding	8 S.Y.

Drainage Area = 540 Ac  
Q<sub>50</sub> = 510 CFS



CFN 180710498  
SLM 4.98, 96"  
SEE SHEET 27



**ESTIMATED QUANTITIES**

I-1	42" Class A-1 Pipe Sec. M6.6(b)	206 L.F.
I-2	Masonry	14.2 C.Y.
I-10	Dumped Rock Channel Protection	17 C.Y.
L-10	Sodding	8 S.Y.

Drainage Area = 39 Ac  
Q<sub>50</sub> = 88 CFS

CFN 180710505  
SLM 5.00, 42"  
SEE SHEET 28