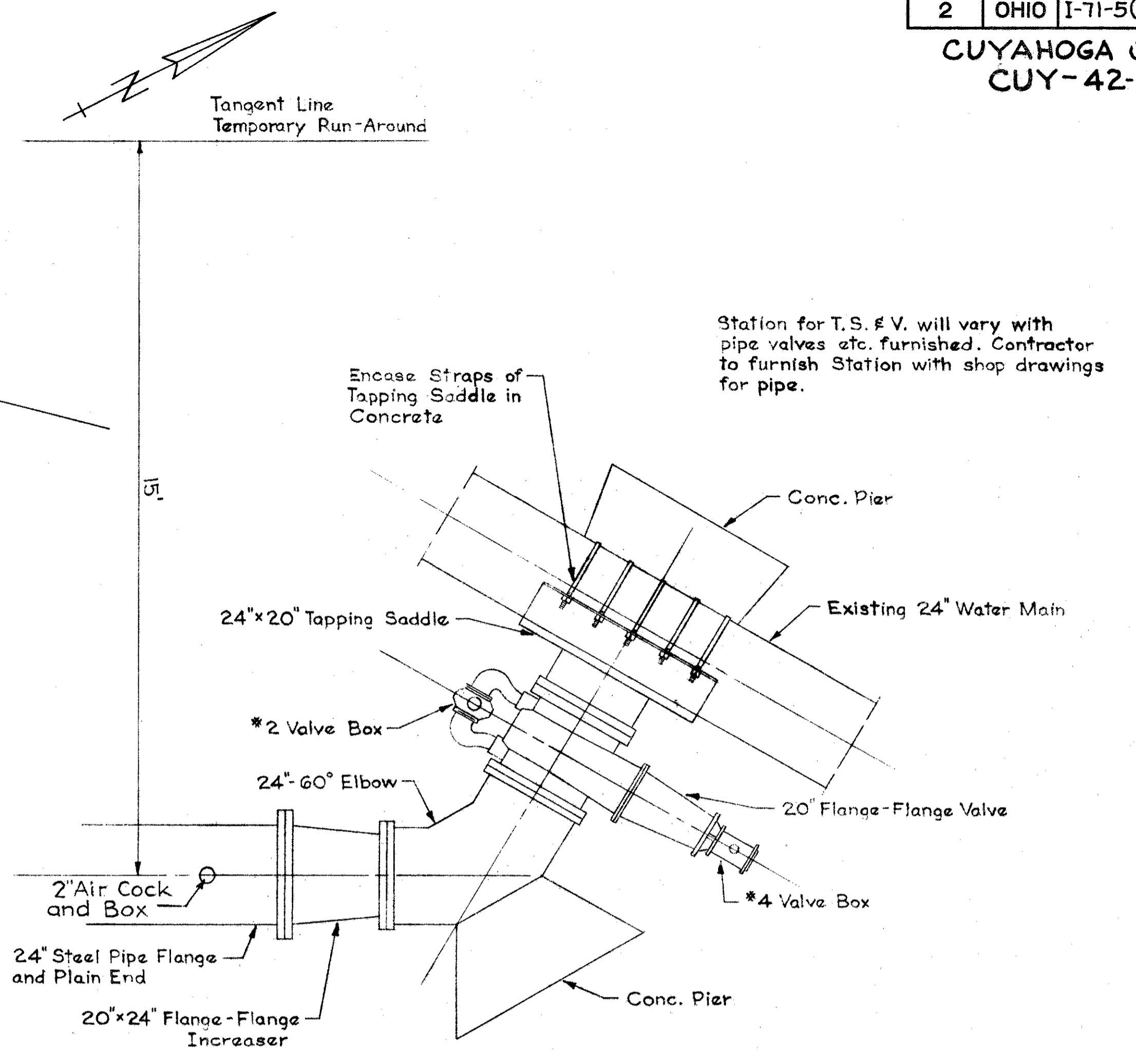
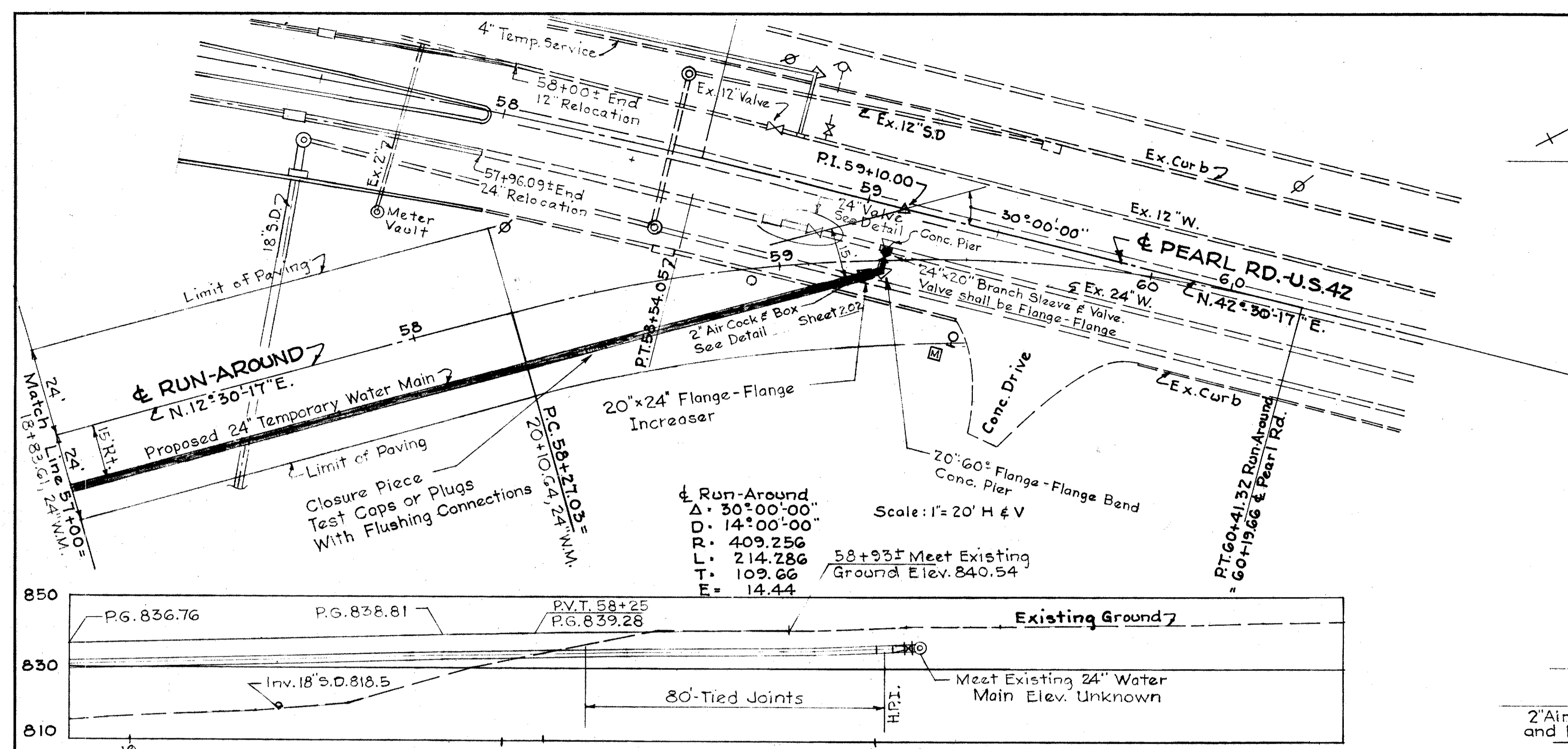
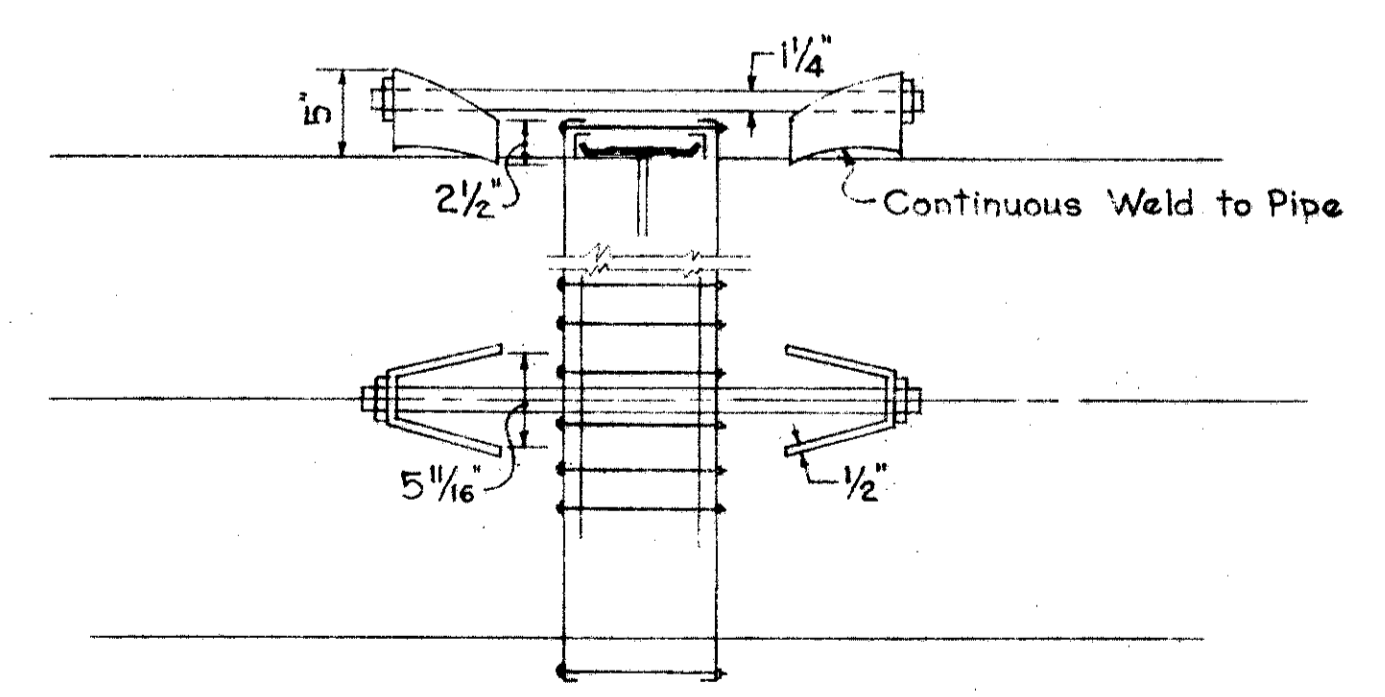


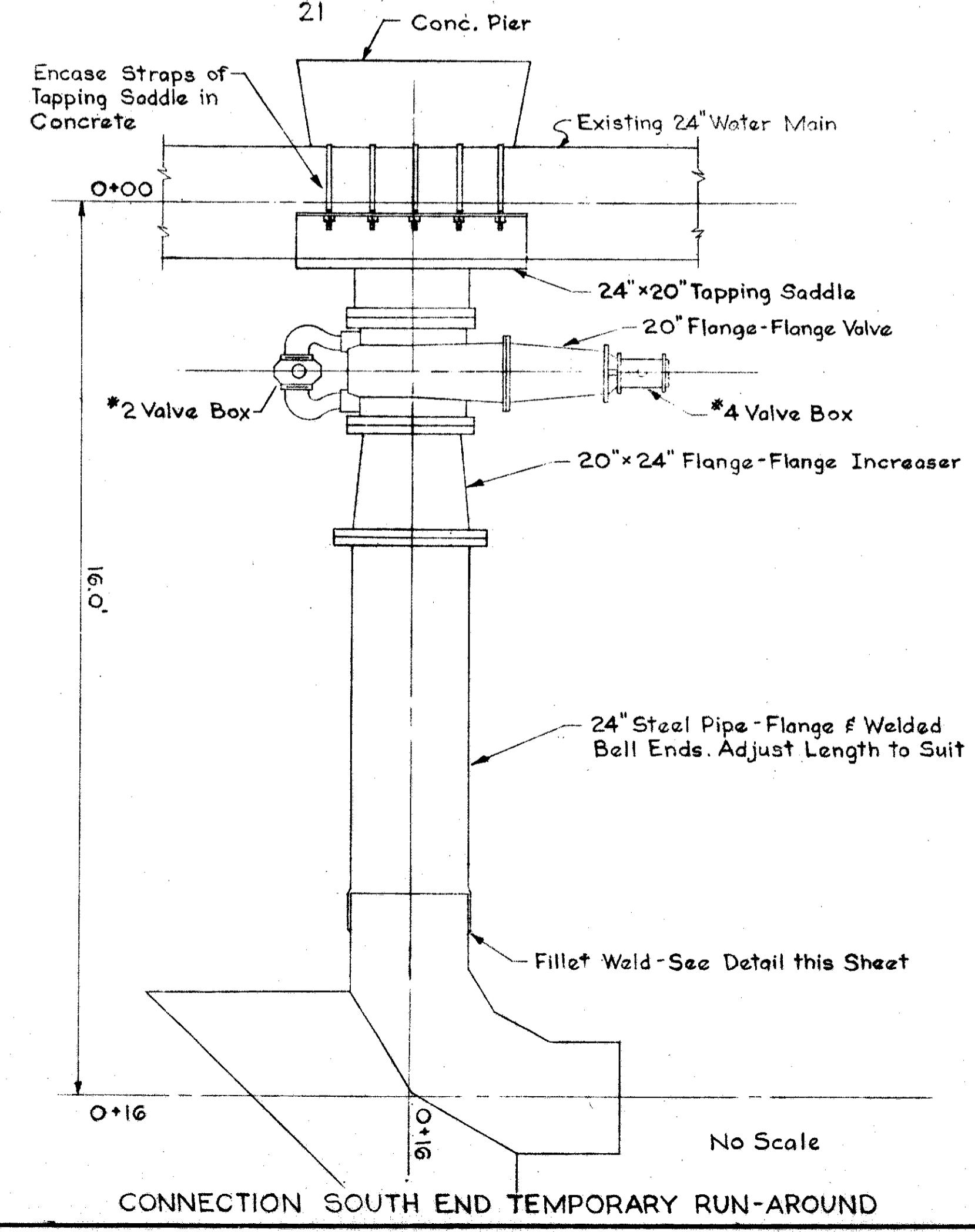
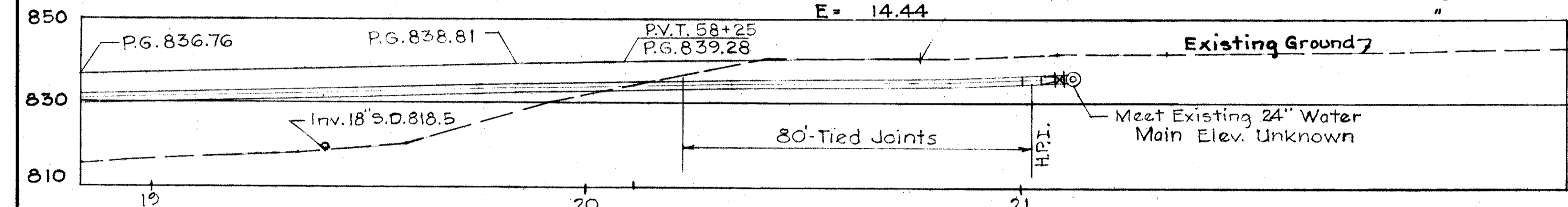
CUYAHOGA COUNTY
CUY-42-3.38



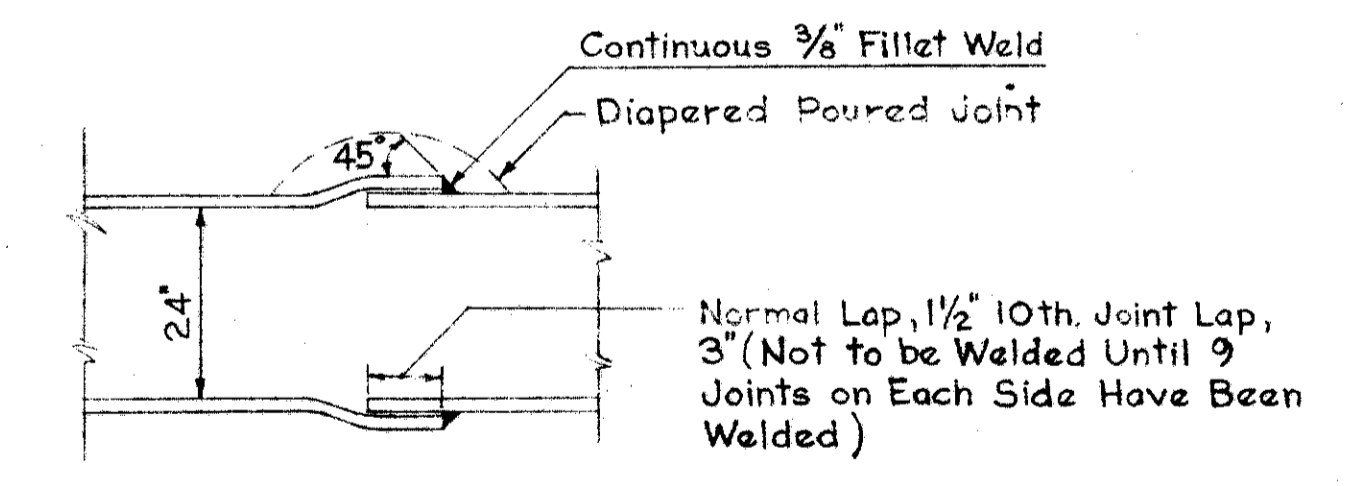
CONNECTION NORTH END TEMPORARY RUN-AROUND
No Scale



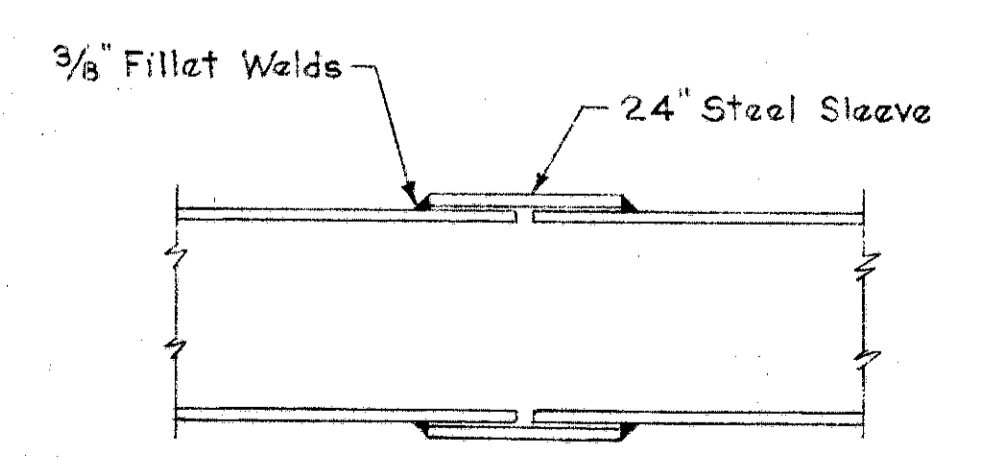
DETAIL OF PLATE LUG HARNESS (2 per joint)
for TIED JOINTS WITH DRESSER TYPE COUPLINGS
No Scale



CONNECTION SOUTH END TEMPORARY RUN-AROUND
No Scale



LAP WELDED SLIP BELL JOINT



CLOSURE FOR WELDED PIPE

No Scale

PREPARED BY J.E. GREINER COMPANY
CONSULTING ENGINEERS
BALTIMORE-1, MARYLAND

DEPARTMENT OF PUBLIC UTILITIES DIVISION OF WATER AND HEAT CLEVELAND, OHIO		2ND HIGH SERVICE ZONE	
APPROVED _____ 19____ DIRECTOR OF PUBLIC UTILITIES		SUBJECT 24" BY PASS WATER LINE IN PEARL RD. RUNAROUND	
COMMISSIONER OF WATER & HEAT		DRAWN BY J.H.	
COMMISSIONER - DIVISION OF UTILITIES ENGINEERING		SCALE As Shown	
ENGINEER OF CONSTRUCTION & SURVEYS		TRACED BY M.W.	
ENGINEER OF DESIGN		CHECKED BY _____ DATE _____	