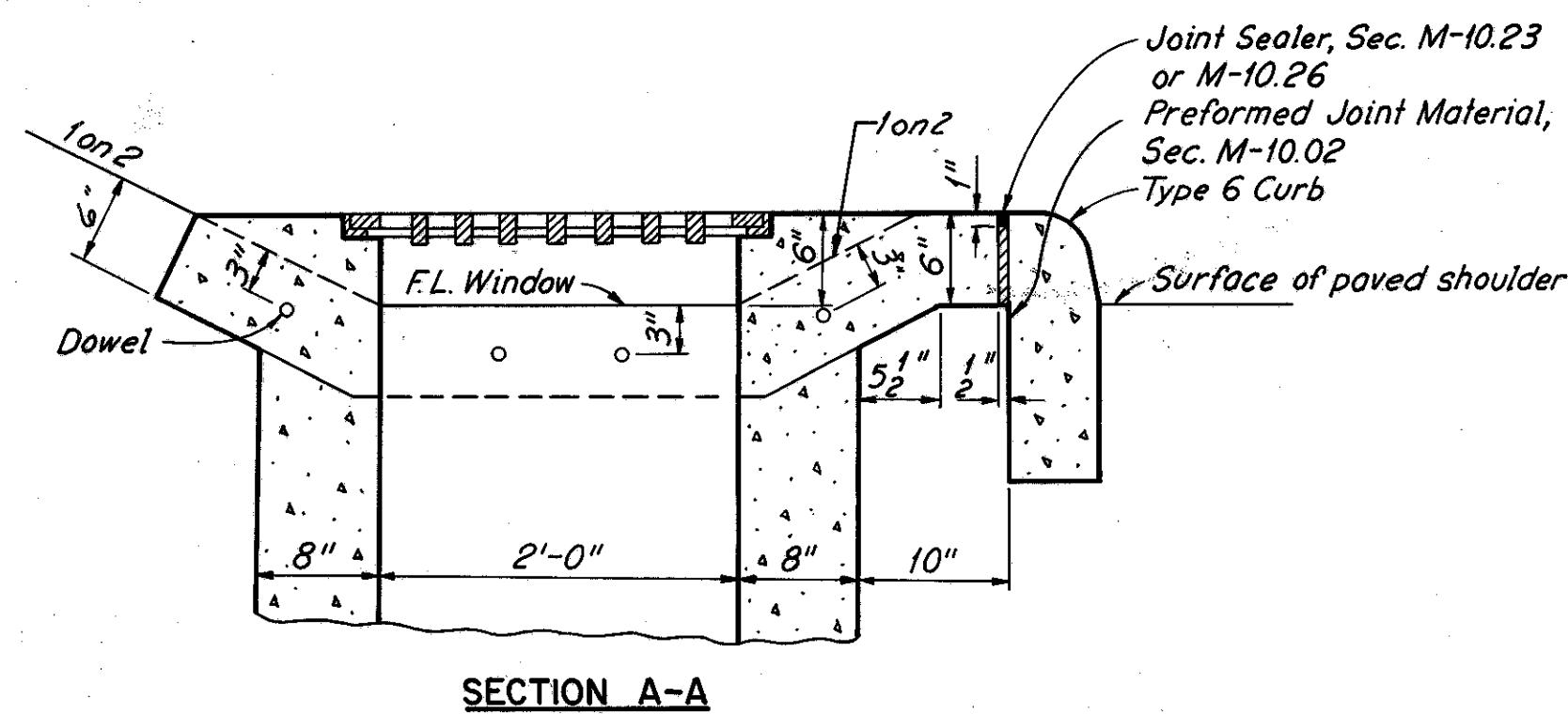


FED. RD. DIVISION	STATE	PROJECT
2	OHIO	

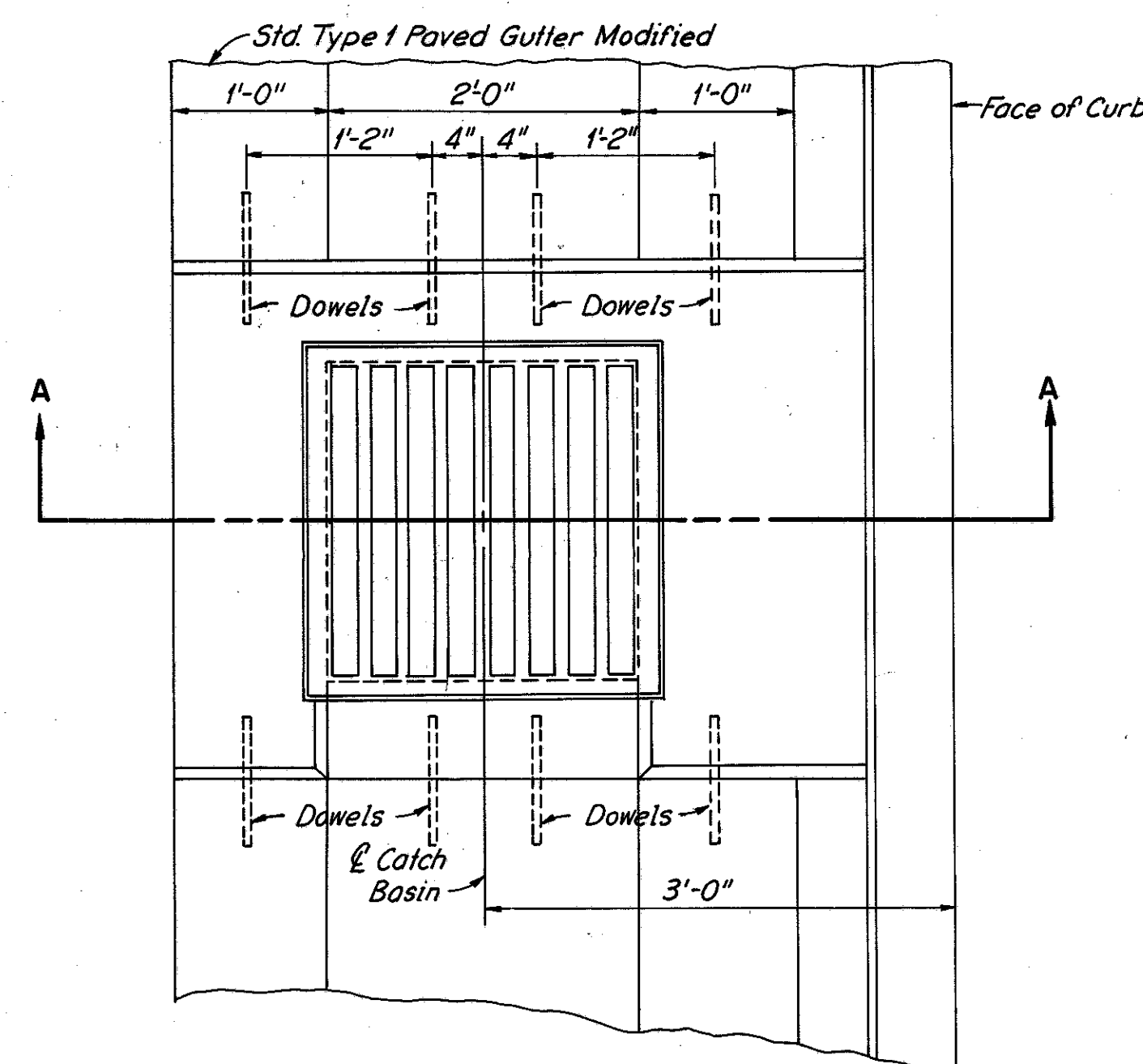
CUYAHOGA COUNTY  
 CUY-71-17.83  
 CUY-176-12.76

270  
646

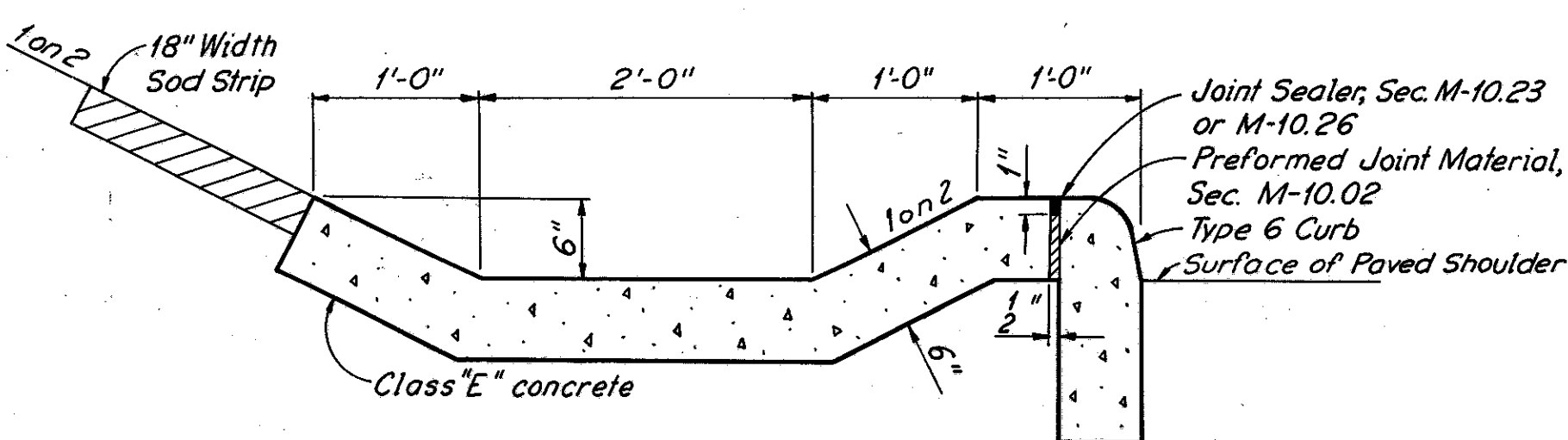
20  
54



Note:  
 1. For details not shown see Standard Construction Drawing I-8 C.B. 2-2A.  
 2. Dowels to be 3/4 inch round, smooth bars 10 inch long, spaced as shown hereon and greased.

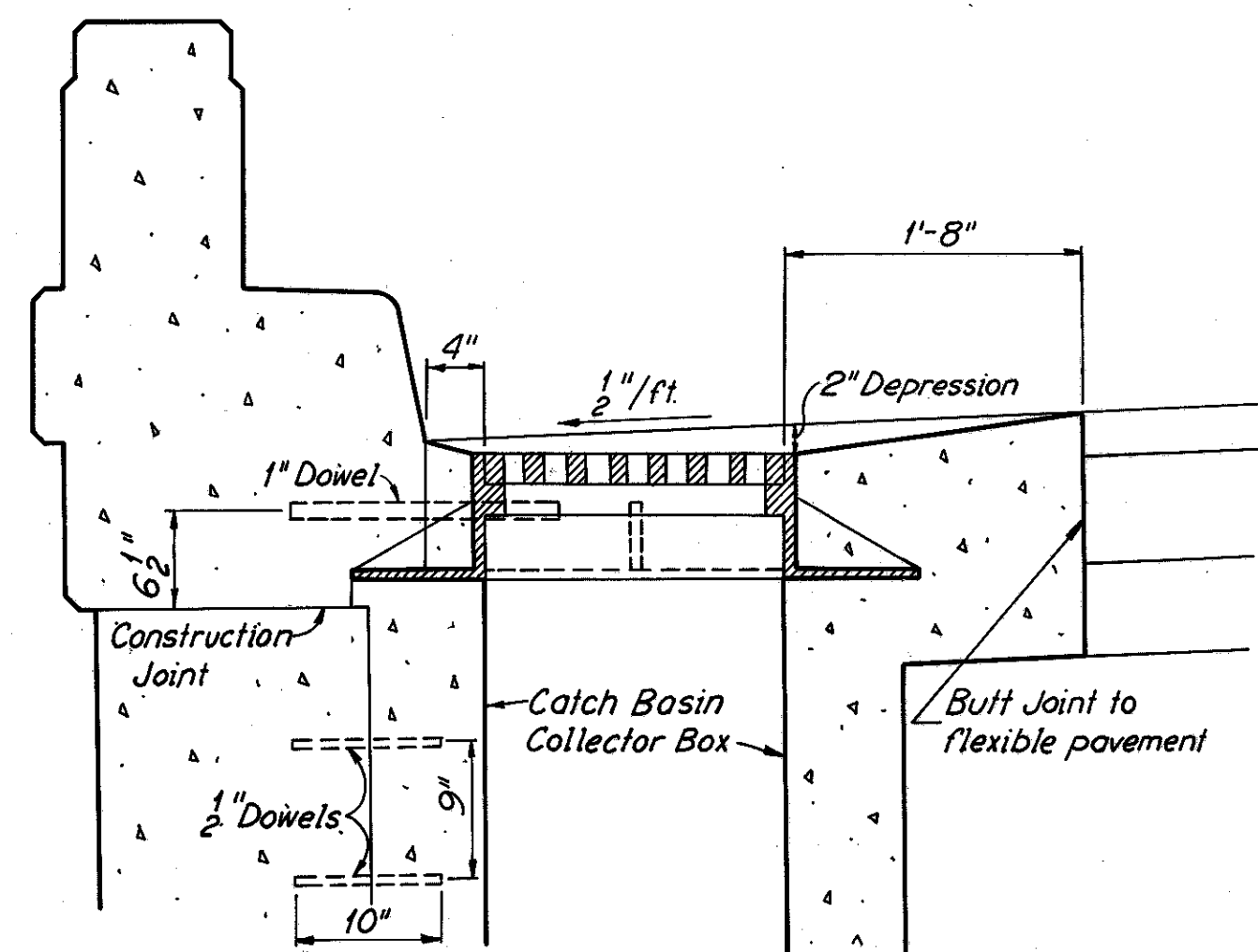


PLAN  
 STANDARD 2-2A CATCH BASIN MODIFIED

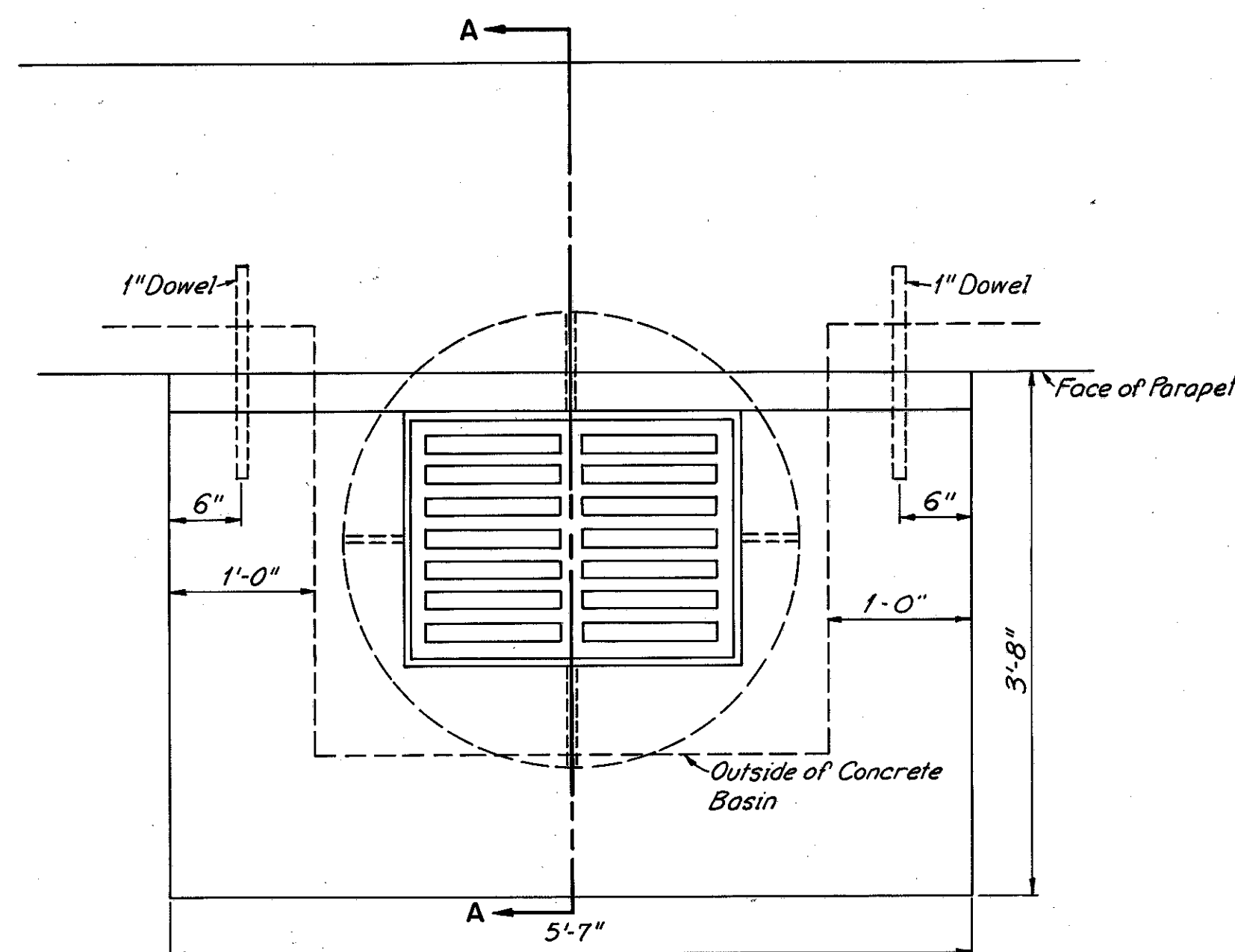


Note:  
 Provide cut-off wall as per Standard Construction Drawing I-14G Paved Gutter

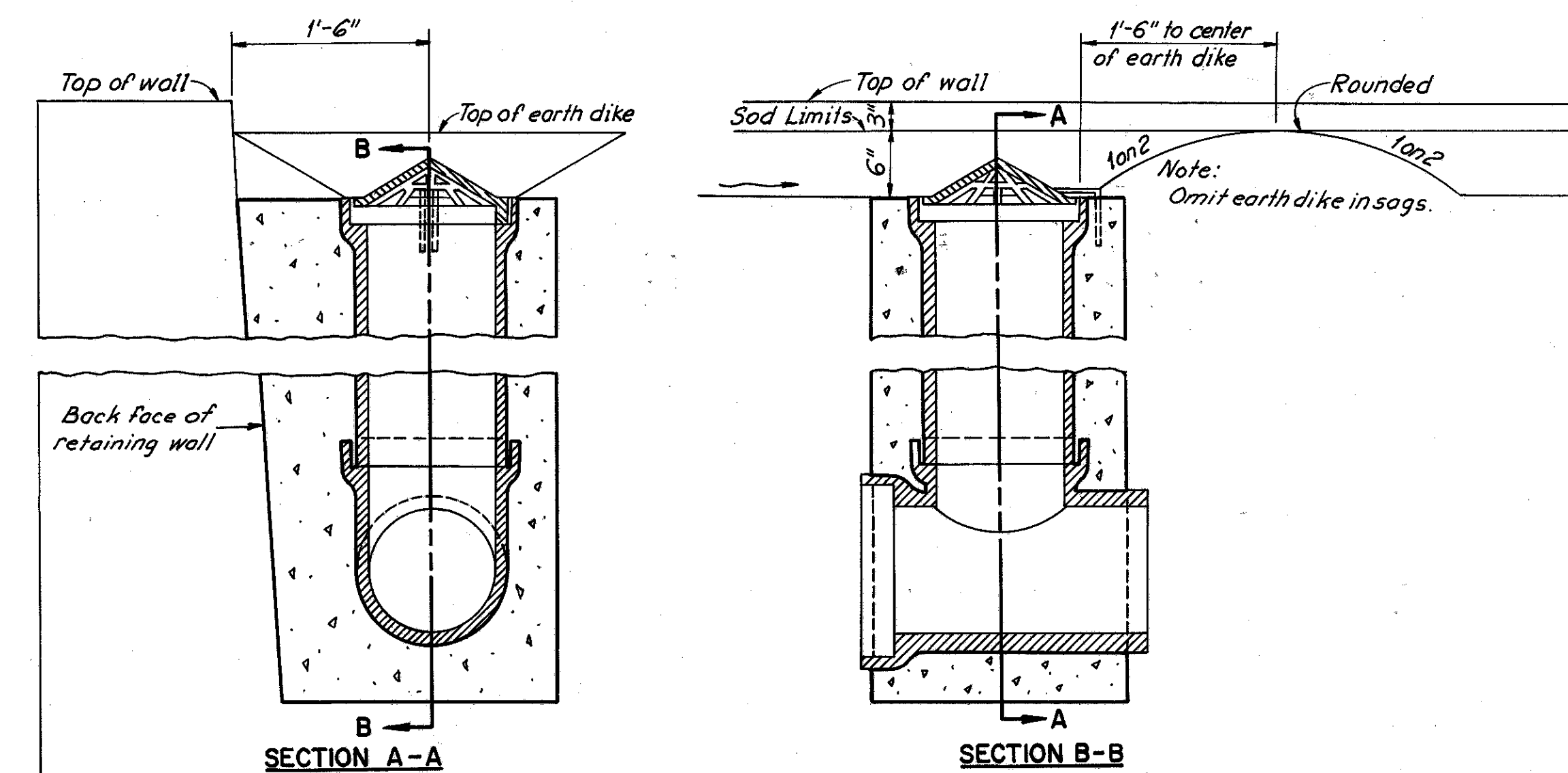
STANDARD TYPE I PAVED GUTTER MODIFIED



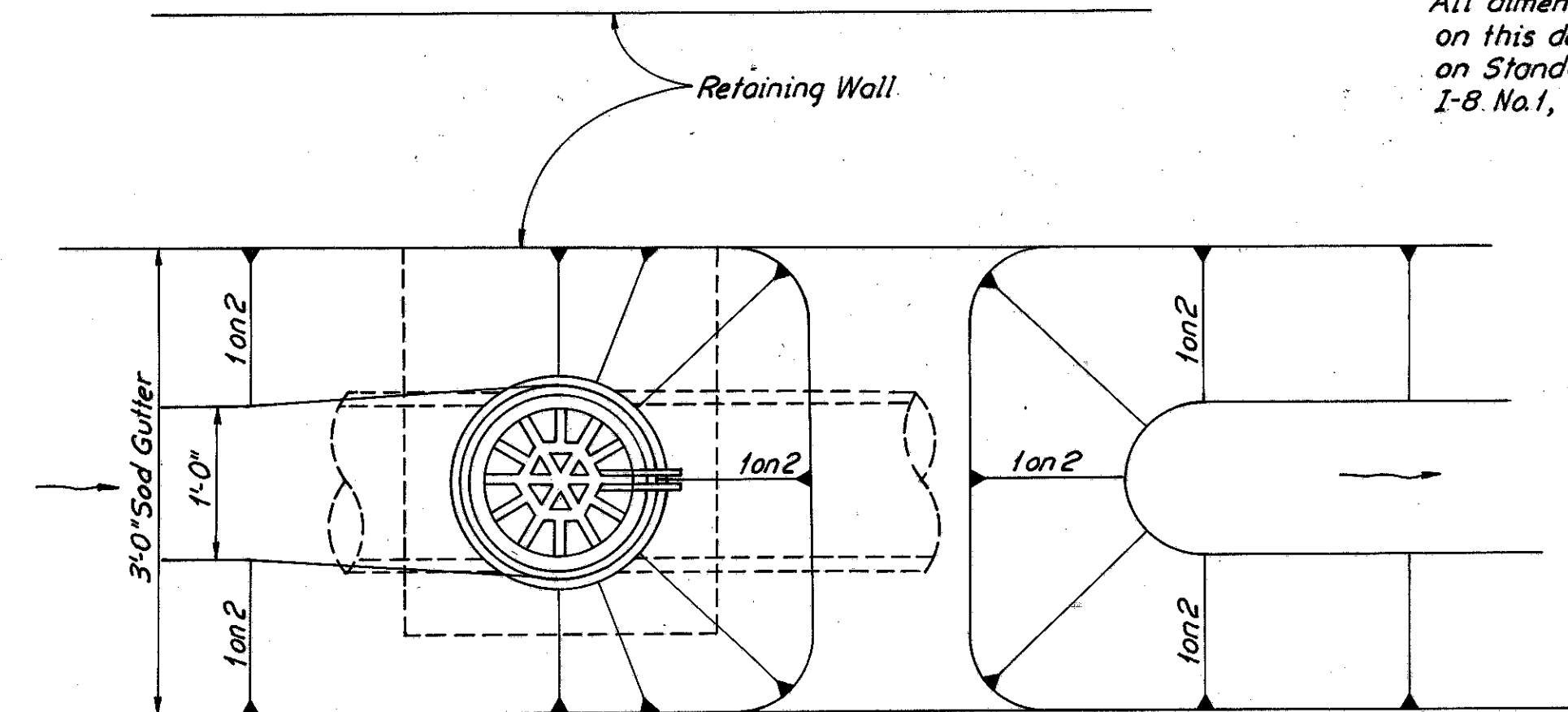
Note:  
 1. For details not shown see Standard Construction Drawing I-8 C.B. No. 6.  
 2. The construction of the No. 6 Catch Basin shall be coordinated with the wall construction and shall be placed prior to construction of parapet and safety walk.  
 3. The depressed apron shall be 9 inch thick, class 'C' concrete.  
 4. Payment for all labor and materials required to construct the No. 6 Catch Basin as indicated including dowels, depressed apron, and placing the casting as indicated shall be included in the bid for Item I-8 No. 6 Catch Basin, Modified, as per plan.



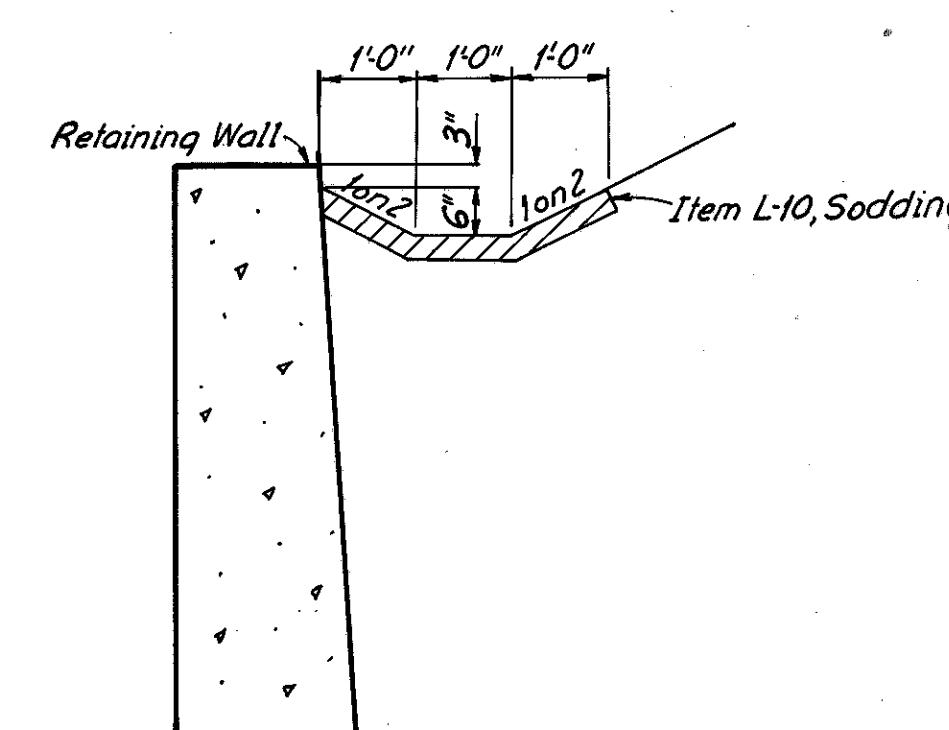
PLAN  
 STANDARD NO. 6 CATCH BASIN MODIFIED



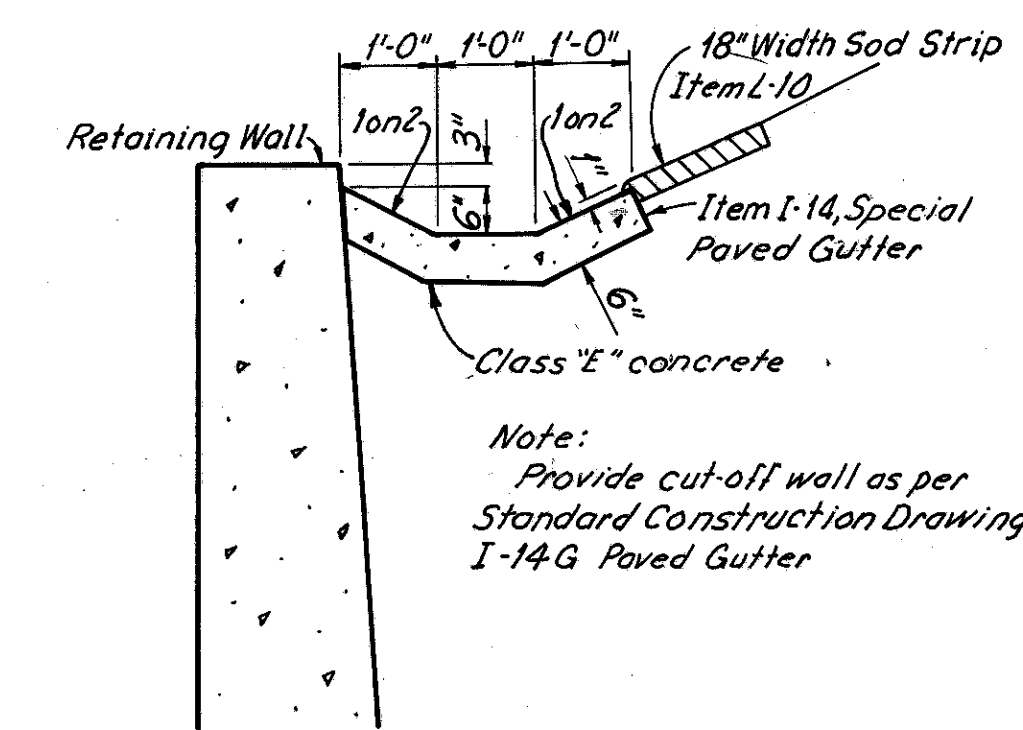
Note:  
 All dimensions and notes not shown on this detail shall be as shown on Standard Construction Drawings I-8 No. 1, Side Ditch Inlets.



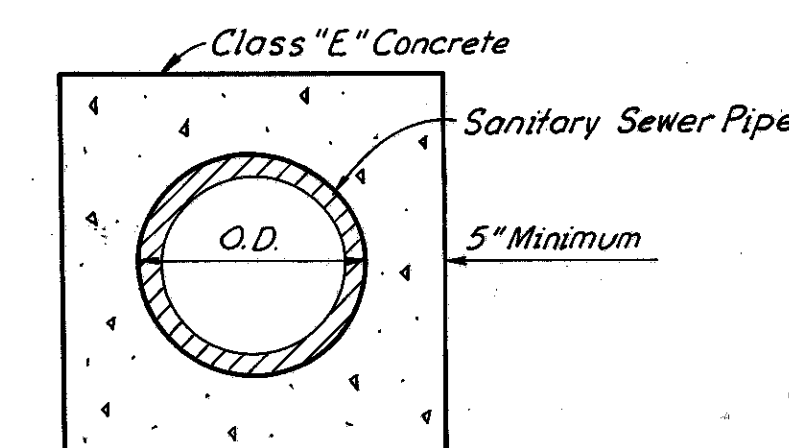
PLAN  
 STANDARD NO. 1 SIDE DITCH INLET MODIFIED



RETAINING WALL-SODDED FLUME DETAIL  
 Scale: 1/2" = 1'-0"



RETAINING WALL-PAVED GUTTER DETAIL  
 Scale: 1/2" = 1'-0"



TYPICAL SEWER PIPE ENCASEMENT  
 No Scale

MADE JEN DATE 10-2-64 TRACED DATE  
 CHECKED RJT DATE 10-12-64 SCALE 1/2" = 1'-0" or as Noted

HOWARD, NEEDLES, TAMMEN & BERGENDOFF  
 CONSULTING ENGINEERS  
 KANSAS CITY CLEVELAND NEW YORK