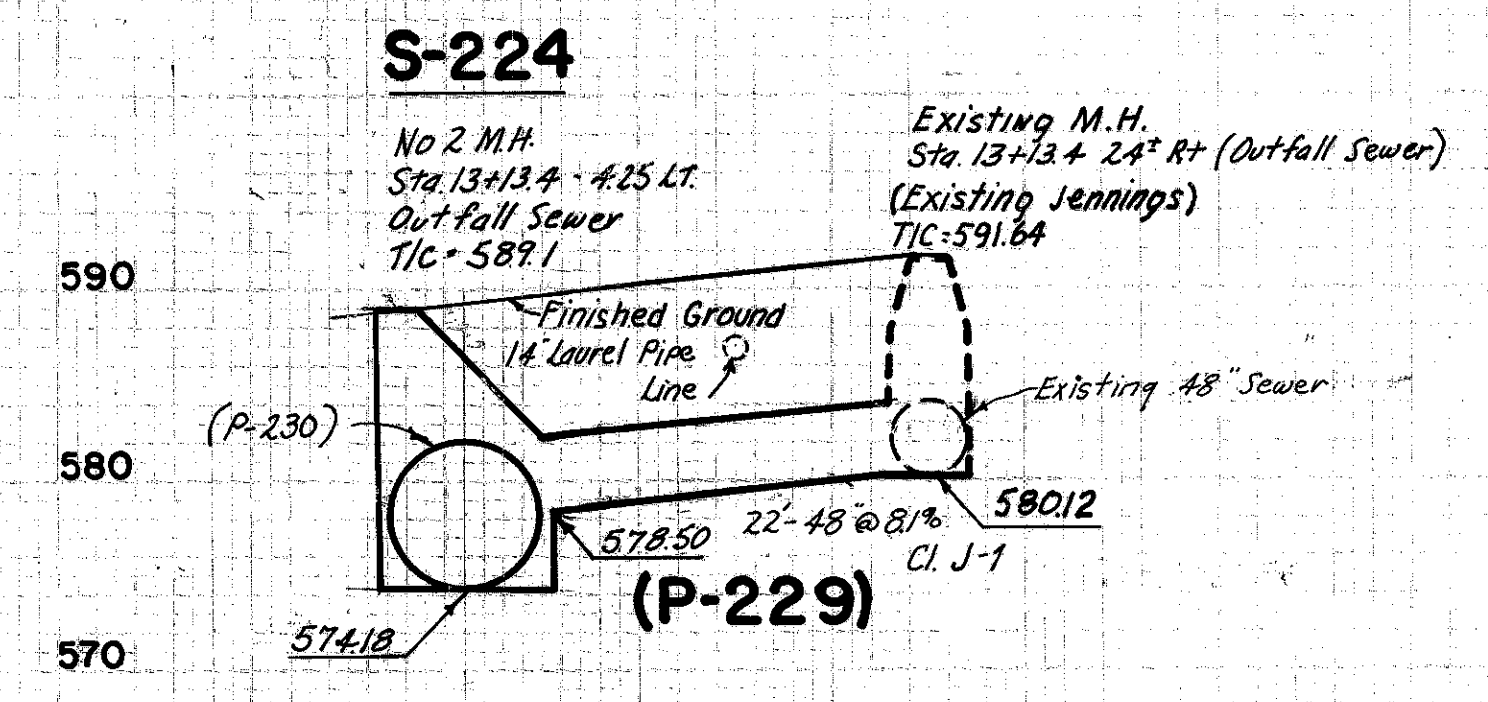
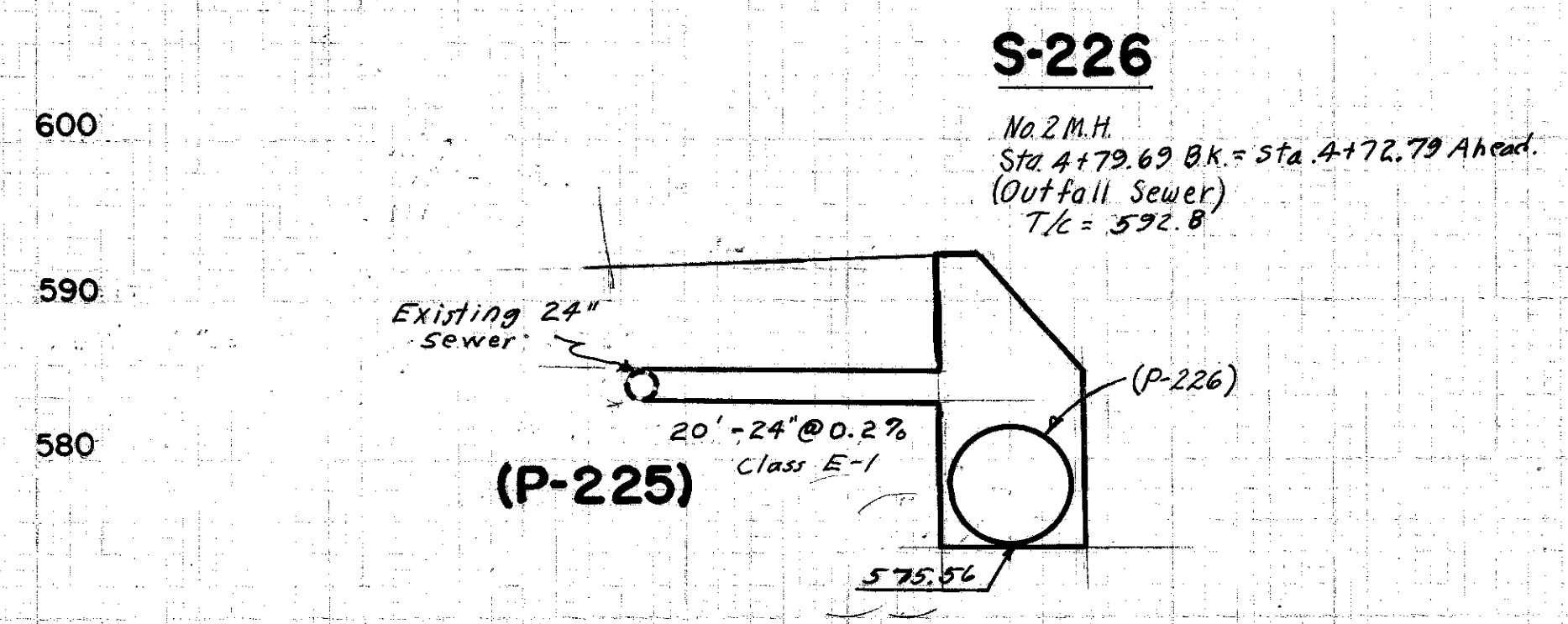
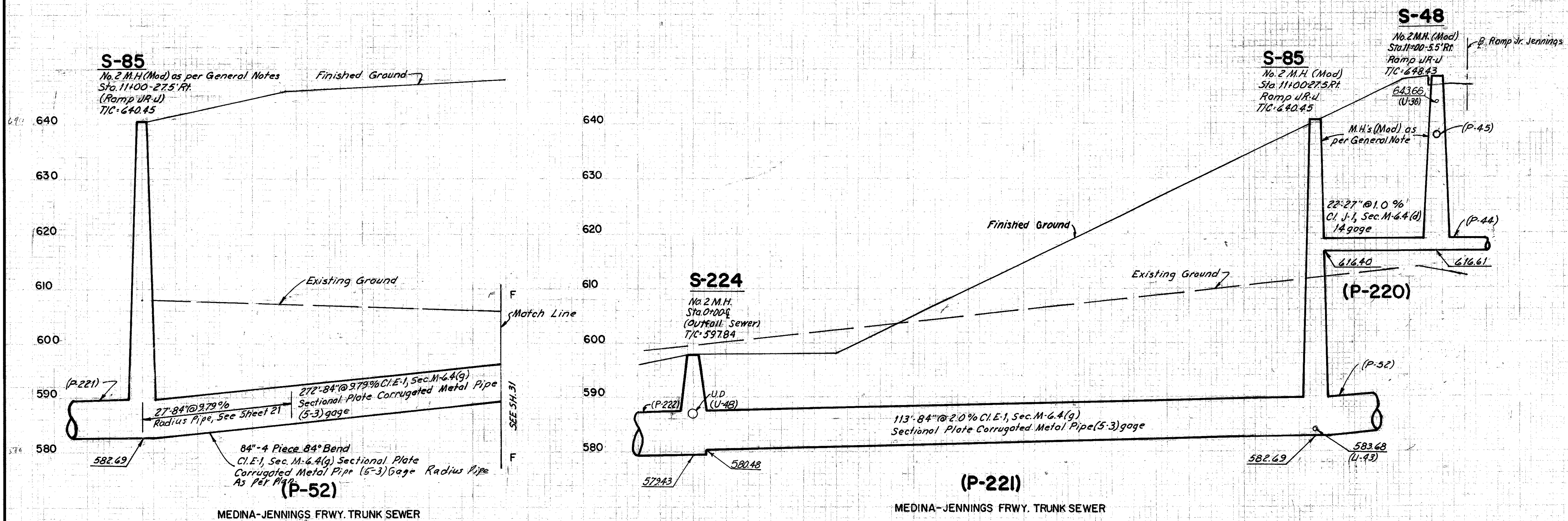


FED. RD. DIVISION	STATE	PROJECT
2	OHIO	

281
646

30
54

CUYAHOGA COUNTY
CUY-71-17.83
CUY-176-12.76



Scale 1" = 10' Hor. & Vert.

P-52 SEE ALSO SH. 31