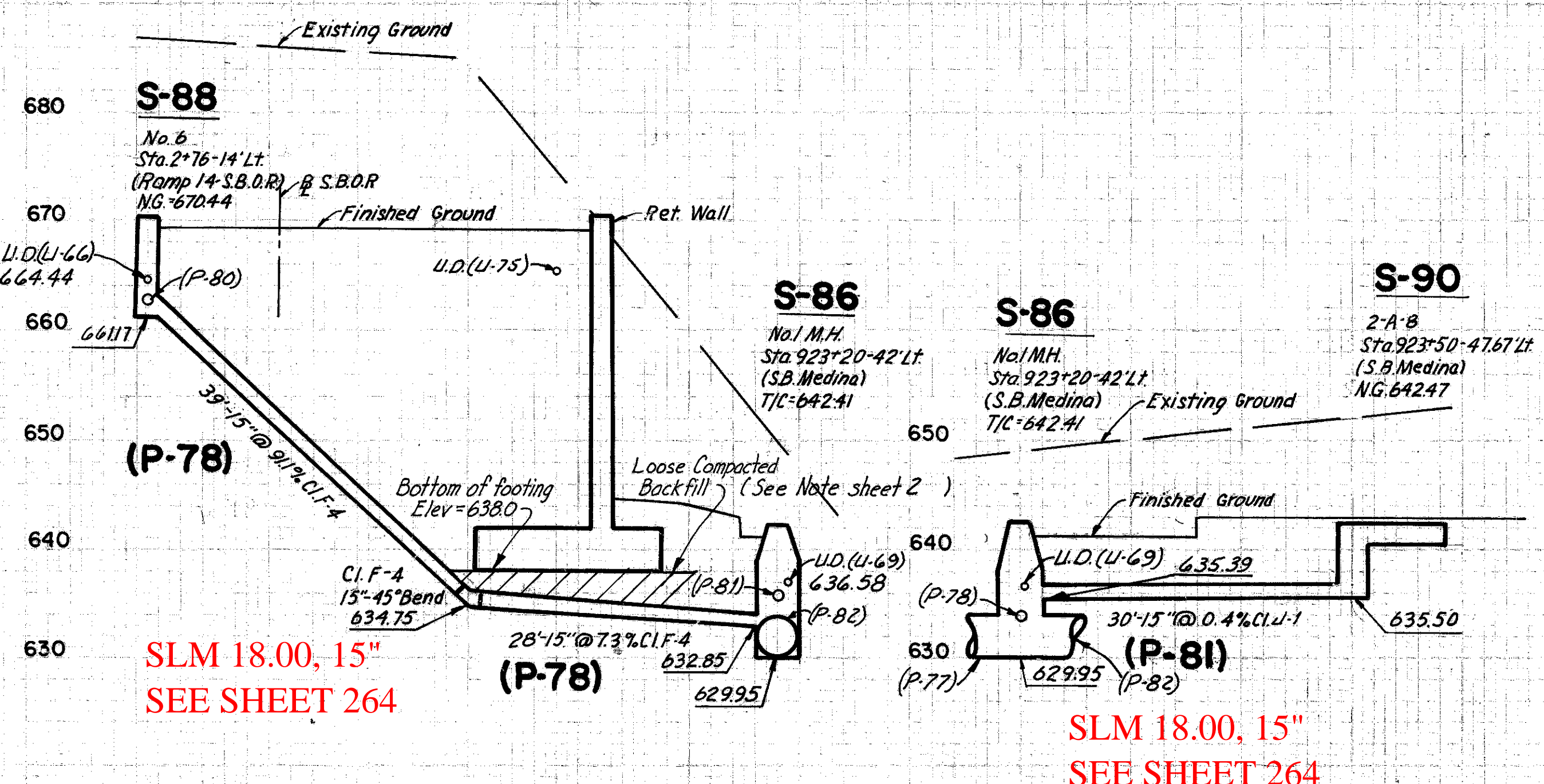
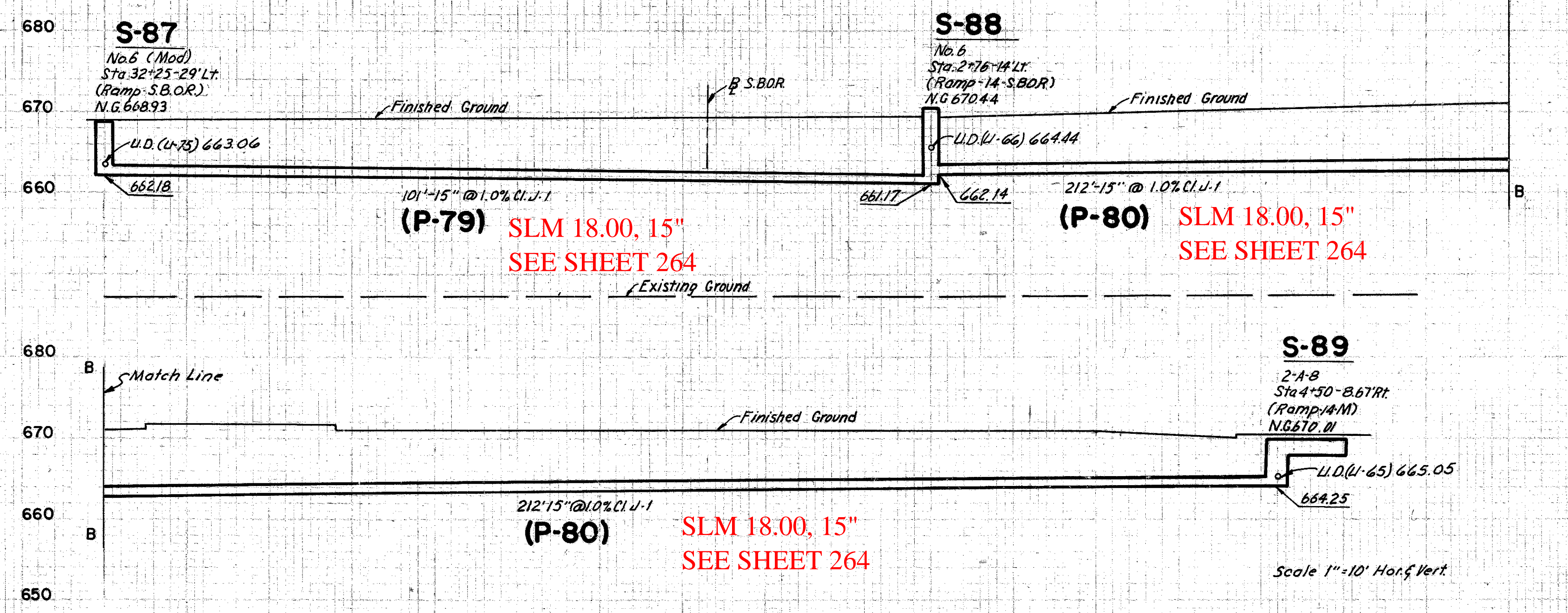
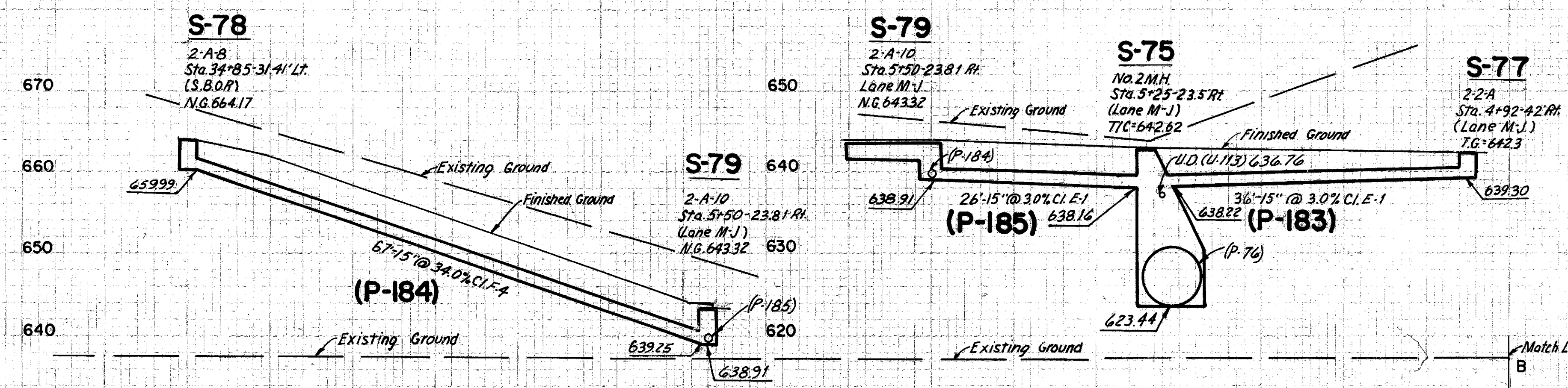
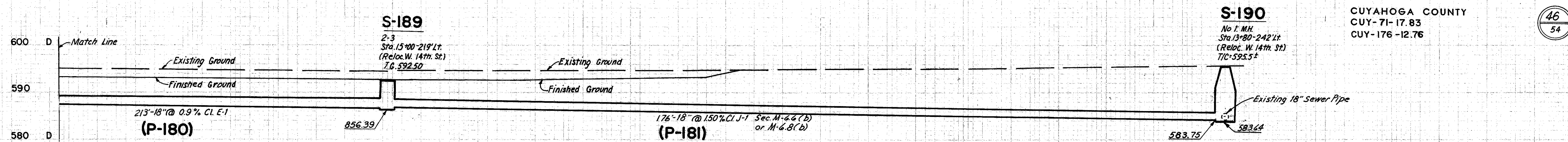


FED. RD. DIVISION	STATE	PROJECT
2	OHIO	

297
646

46
54

CUYAHOGA COUNTY
CUY-71-17.83
CUY-176-12.76



SLM 18.00, 15"
SEE SHEET 264

SLM 18.00, 15"
SEE SHEET 264

(P-79) SLM 18.00, 15"
SEE SHEET 264

(P-80) SLM 18.00, 15"
SEE SHEET 264

(P-80) SLM 18.00, 15"
SEE SHEET 264

Scale 1"=10' Hor. & Vert.

HOWARD, NEEDLES, TAMMEN & BERGENDOFF
CONSULTING ENGINEERS
KANSAS CITY CLEVELAND NEW YORK