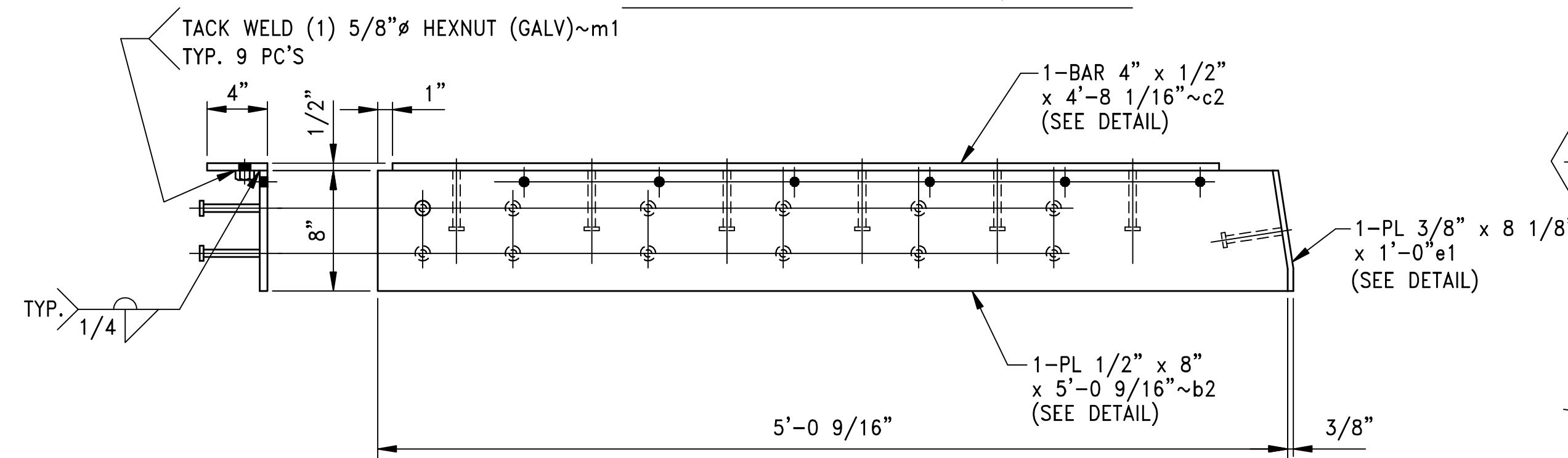
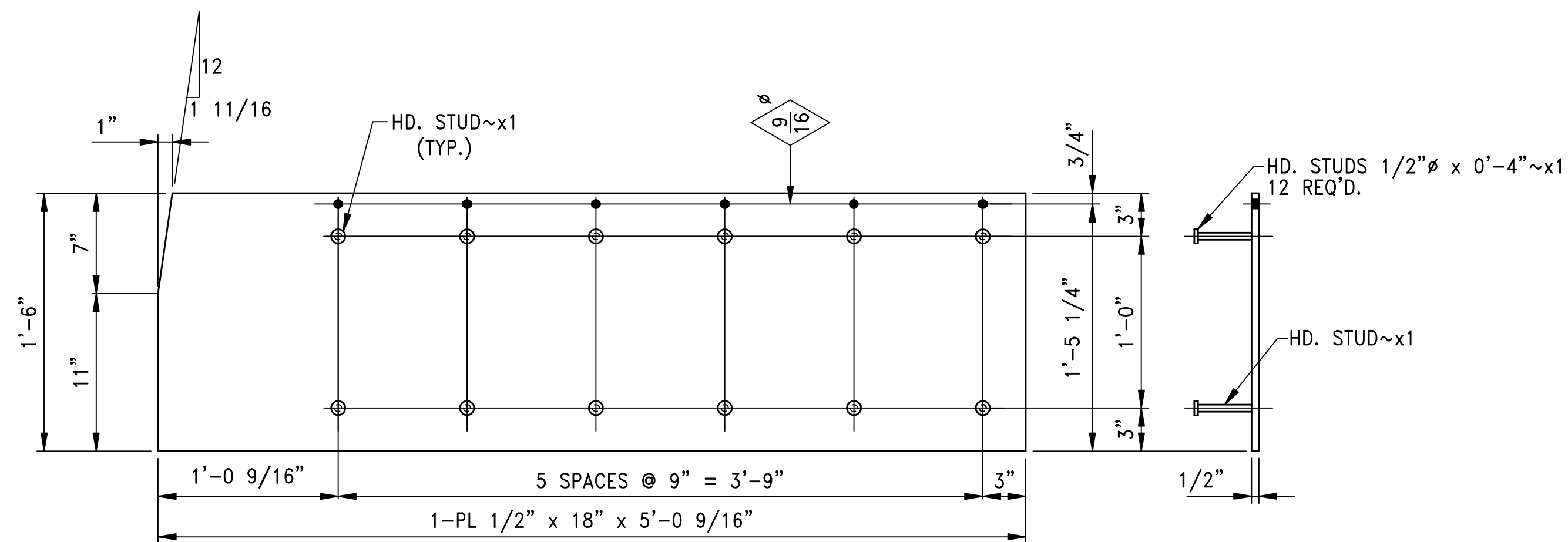


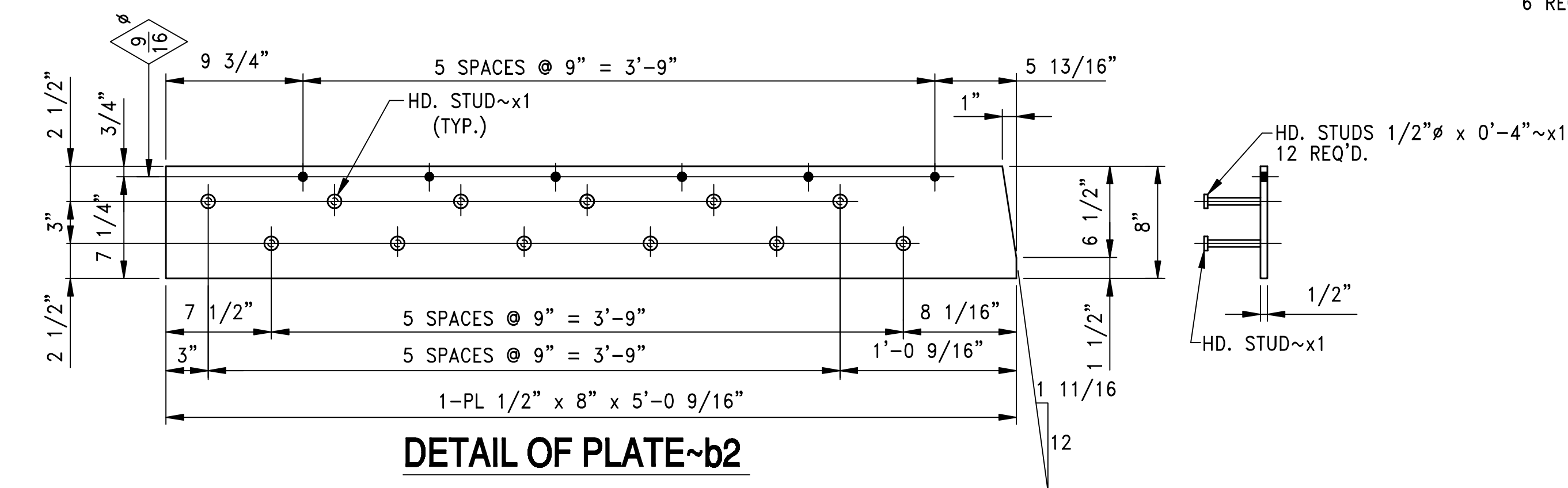
2 - PLATE RETAINERS - 2M1



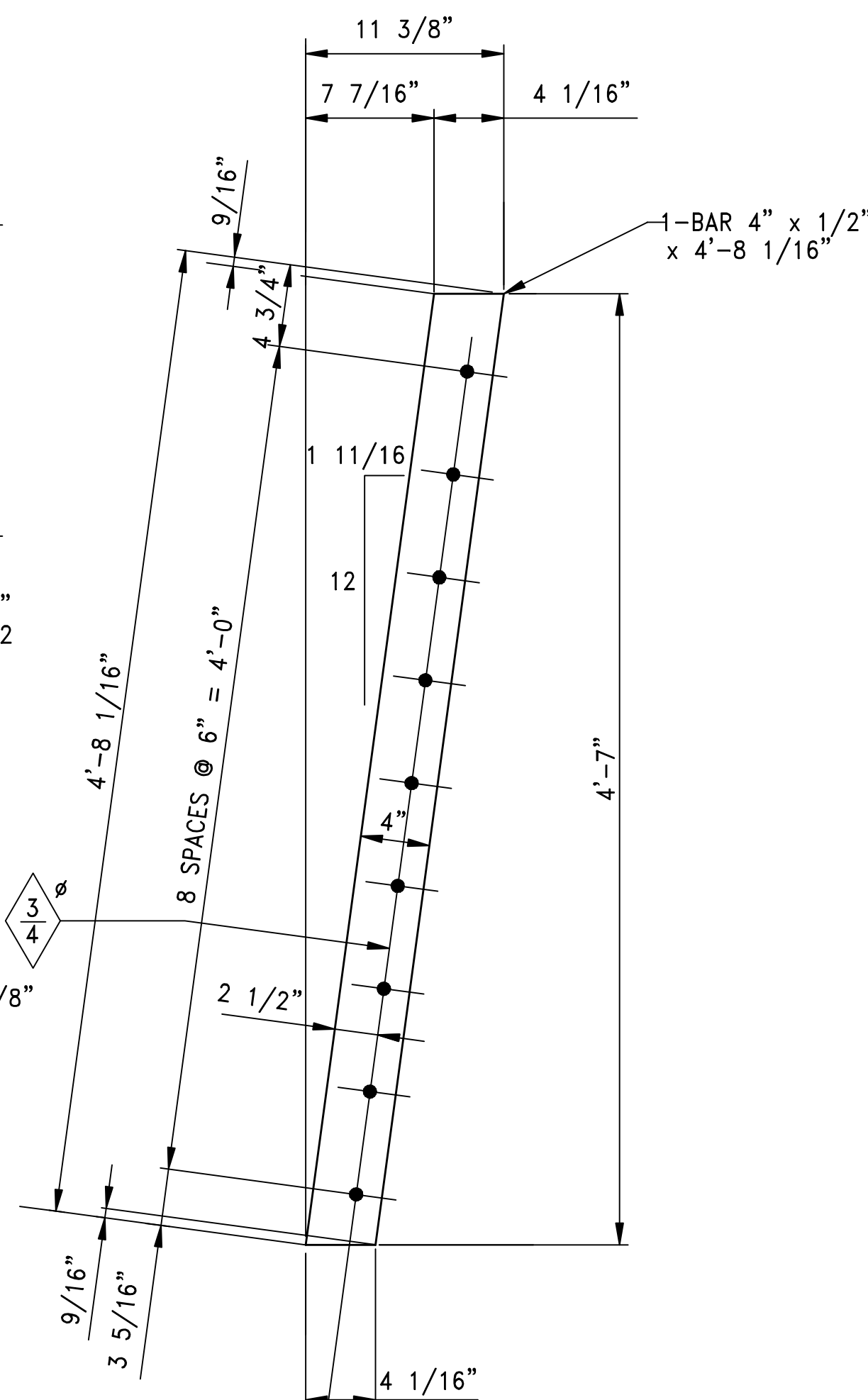
ONE - PLATE RETAINER - 2M2



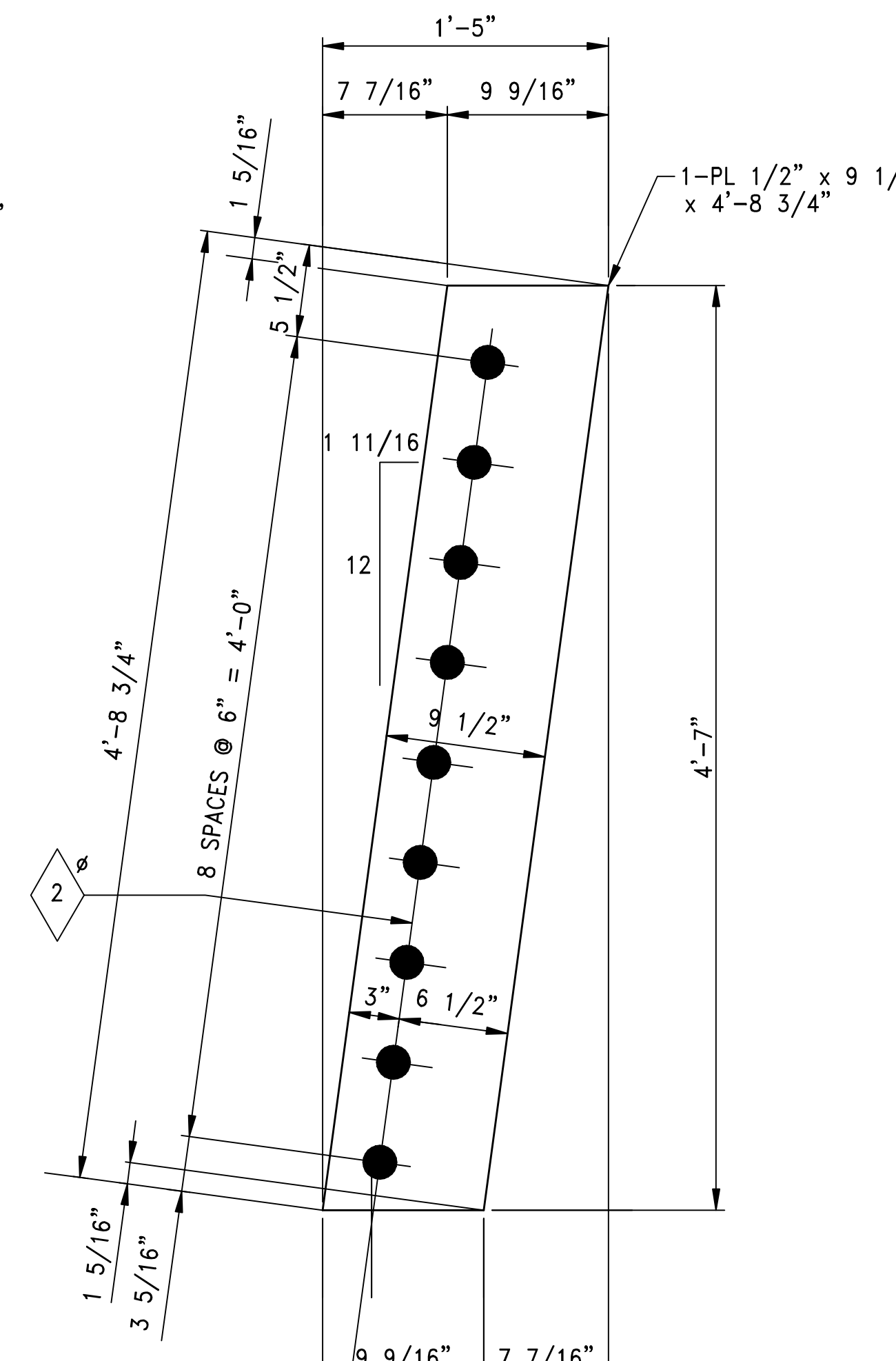
DETAIL OF PLATE~a2



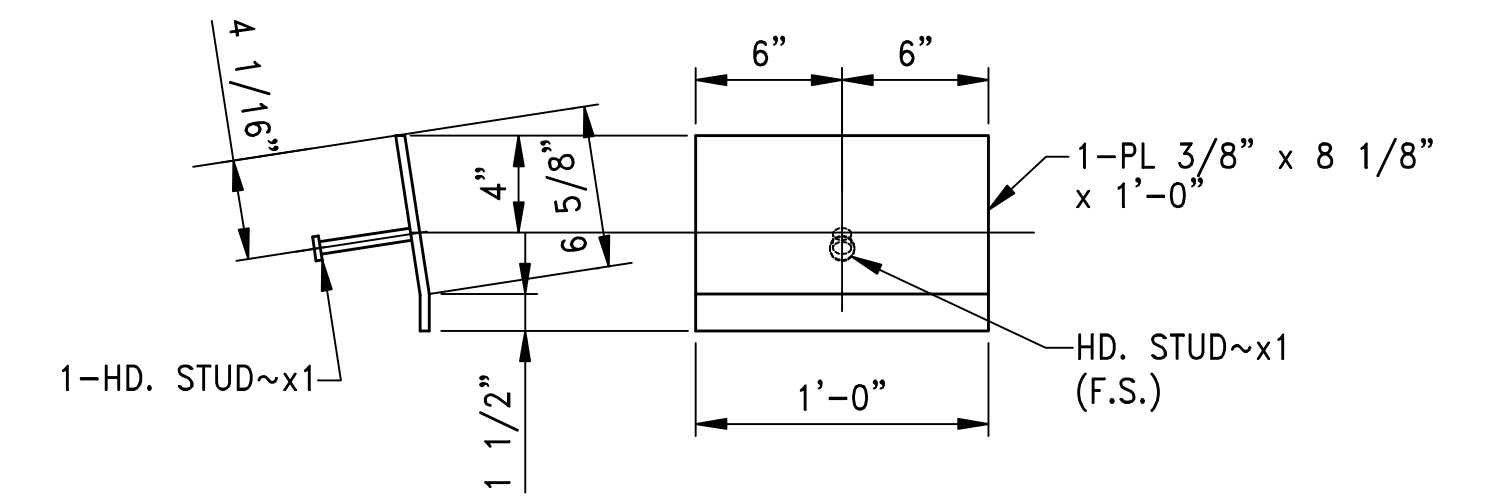
DETAIL OF PLATE~b2



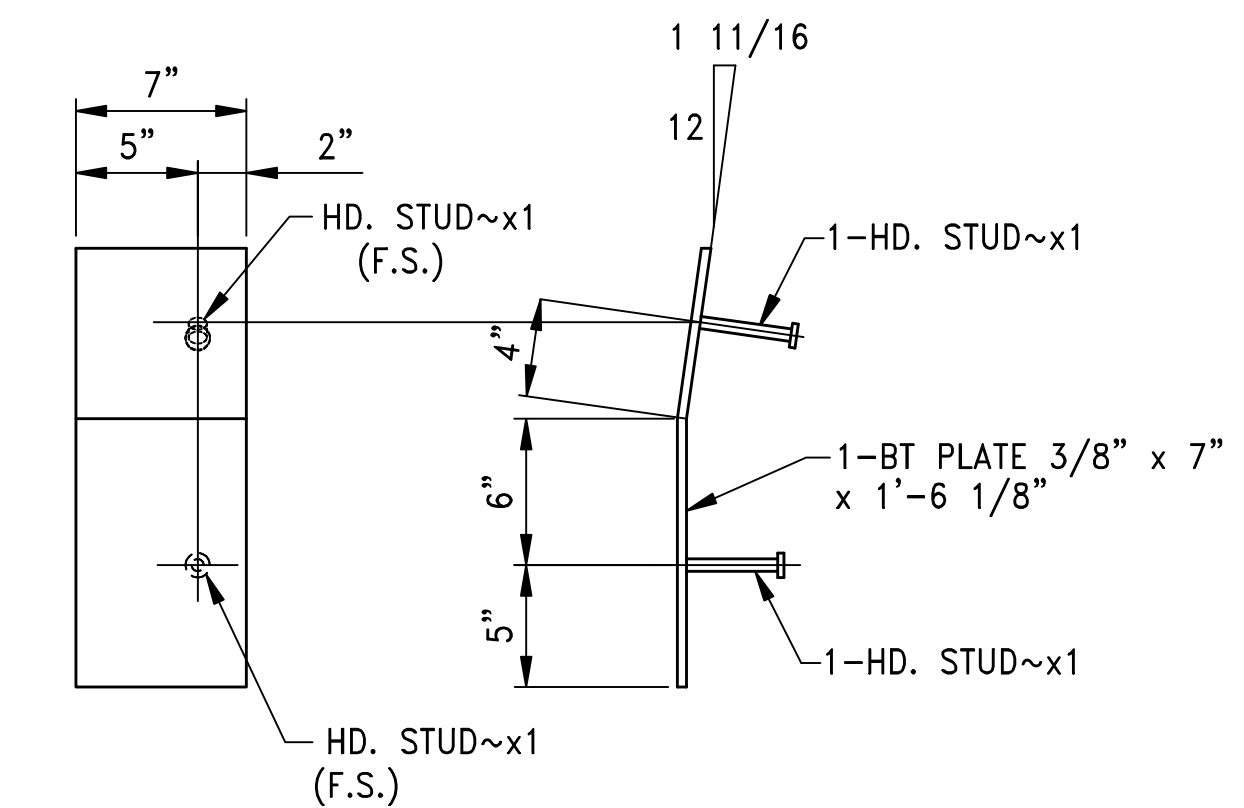
DETAIL OF BAR~c2



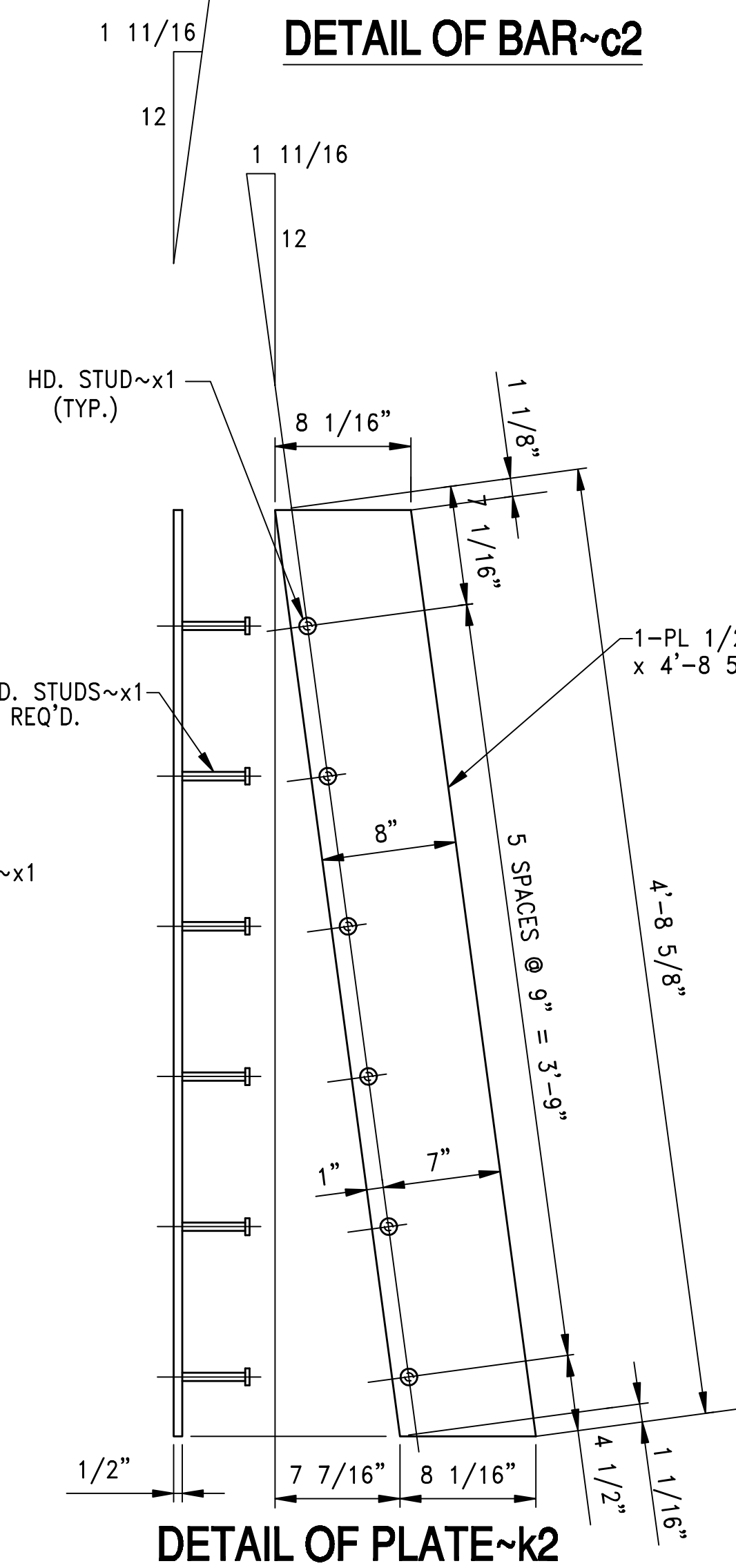
DETAIL OF PLATE~d2



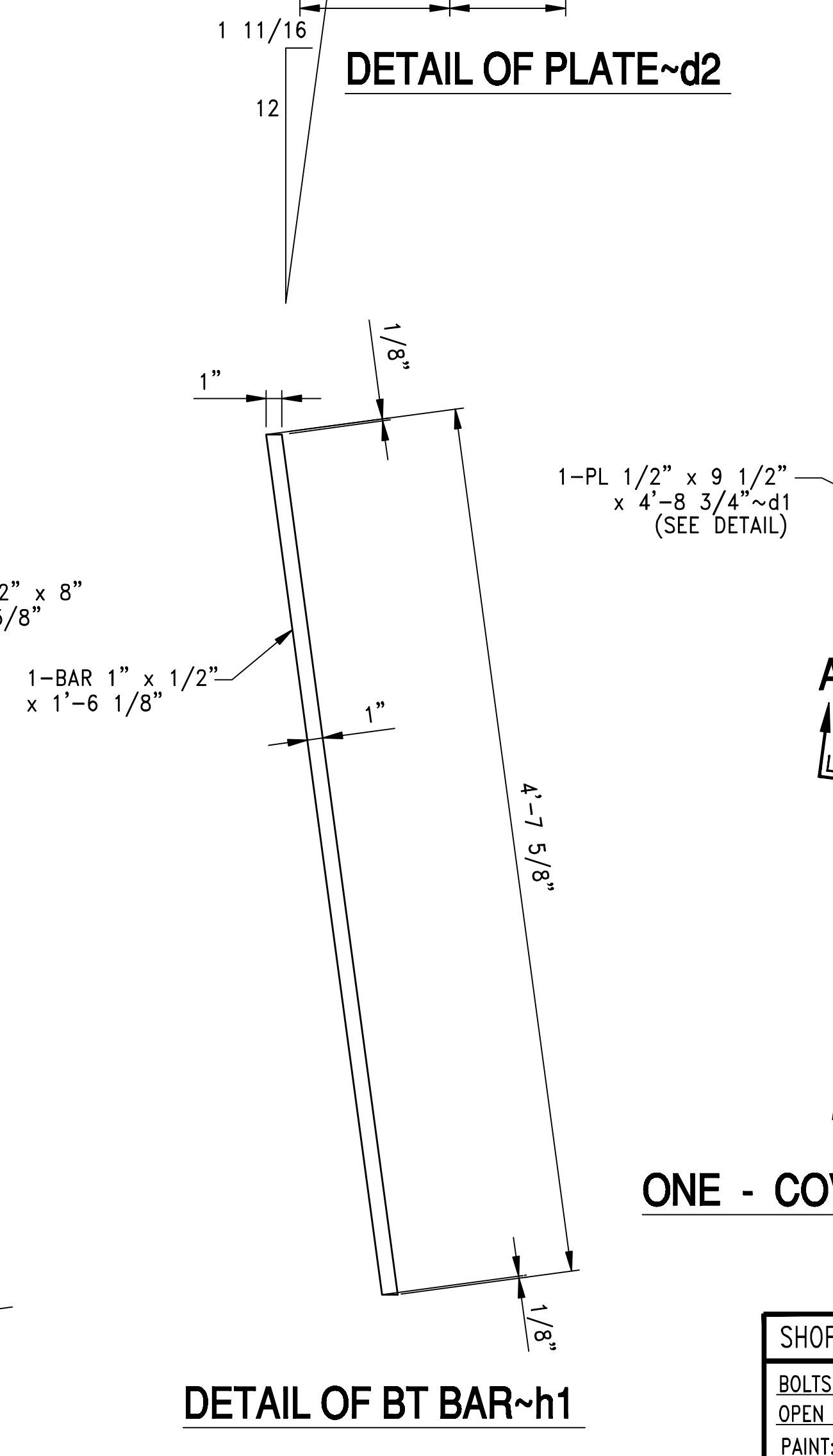
DETAIL OF PLATE~e1



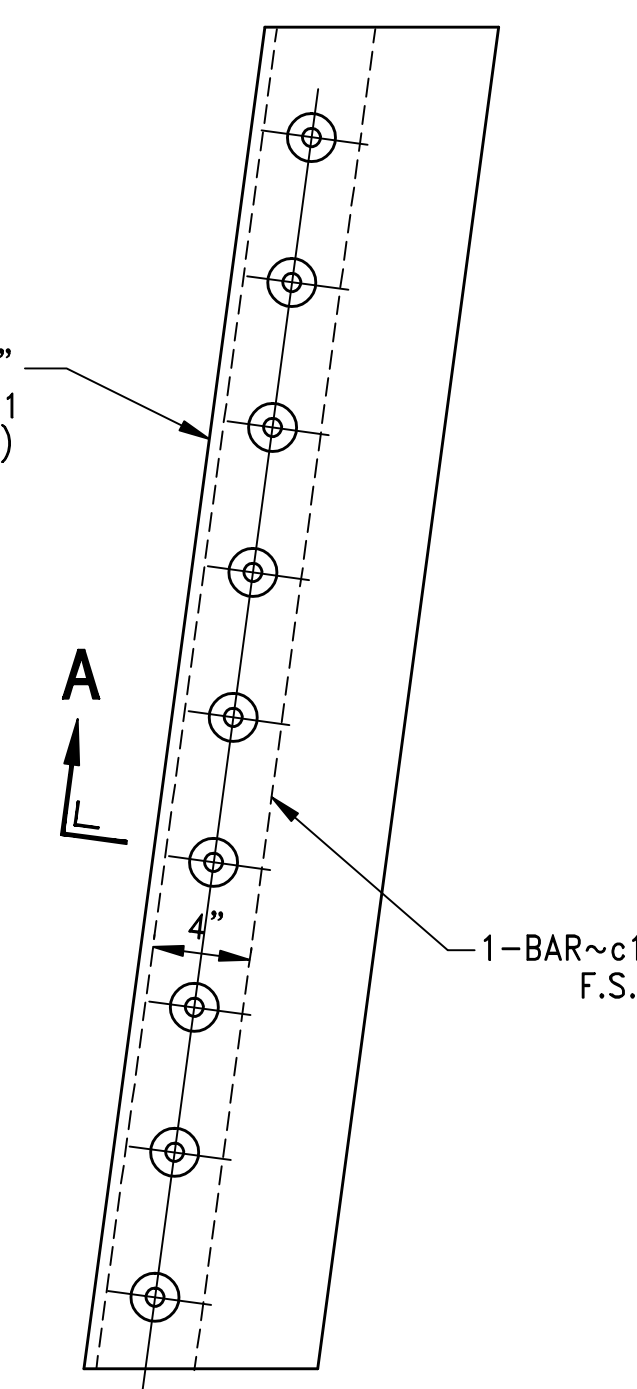
DETAIL OF PLATE~g2



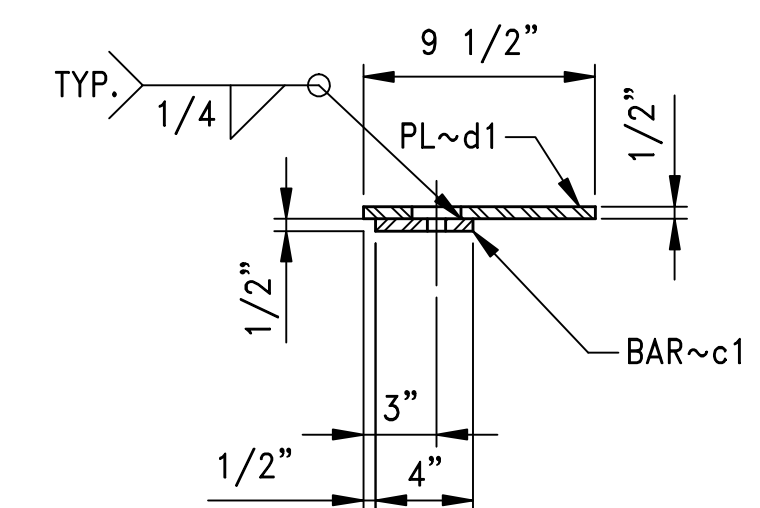
DETAIL OF PLATE~k2



DETAIL OF BT BAR~h1



ONE - COVER PLATE - 2M3



SECTION A

FIELD BOLTS

- 38 - 5/8" Ø x 0'-2" HEX BOLT (GALV) - 2FB1
- 38 - 5/8" Ø FLAT WASHER (GALV) - 2FW1

BRIDGE NO. 1803549

COSMOS INDUSTRIAL SERVICES
 ODOT 256(13) CUYAHOGA COUNTY
 SIDEWALK JOINT STEEL DETAILS

BOARDMAN STEEL FAB, LTD.

YOUNGSTOWN, OHIO 44512

SHOP NOTES:

- BOLTS: AS NOTED
- OPEN HOLES: AS NOTED
- PAINT: SANDBLAST & METALIZE

MADE BY: JET	DATE: 6-8-13	CONTRACT NO. AY-92	SHEET 2
CK. BY: DCD	DATE: 6-12-13		

SCALE: 1/2" = 1'-0"