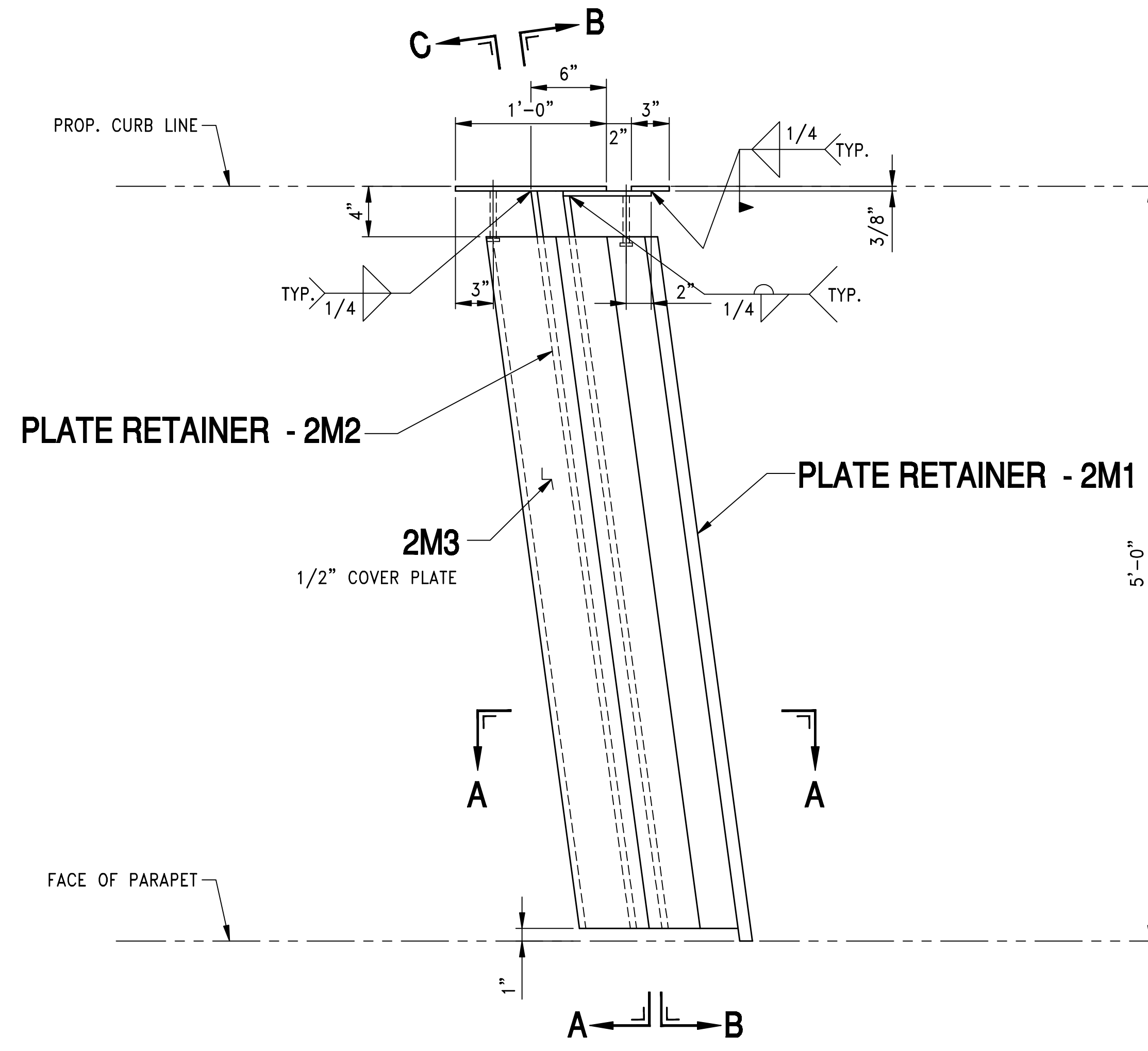
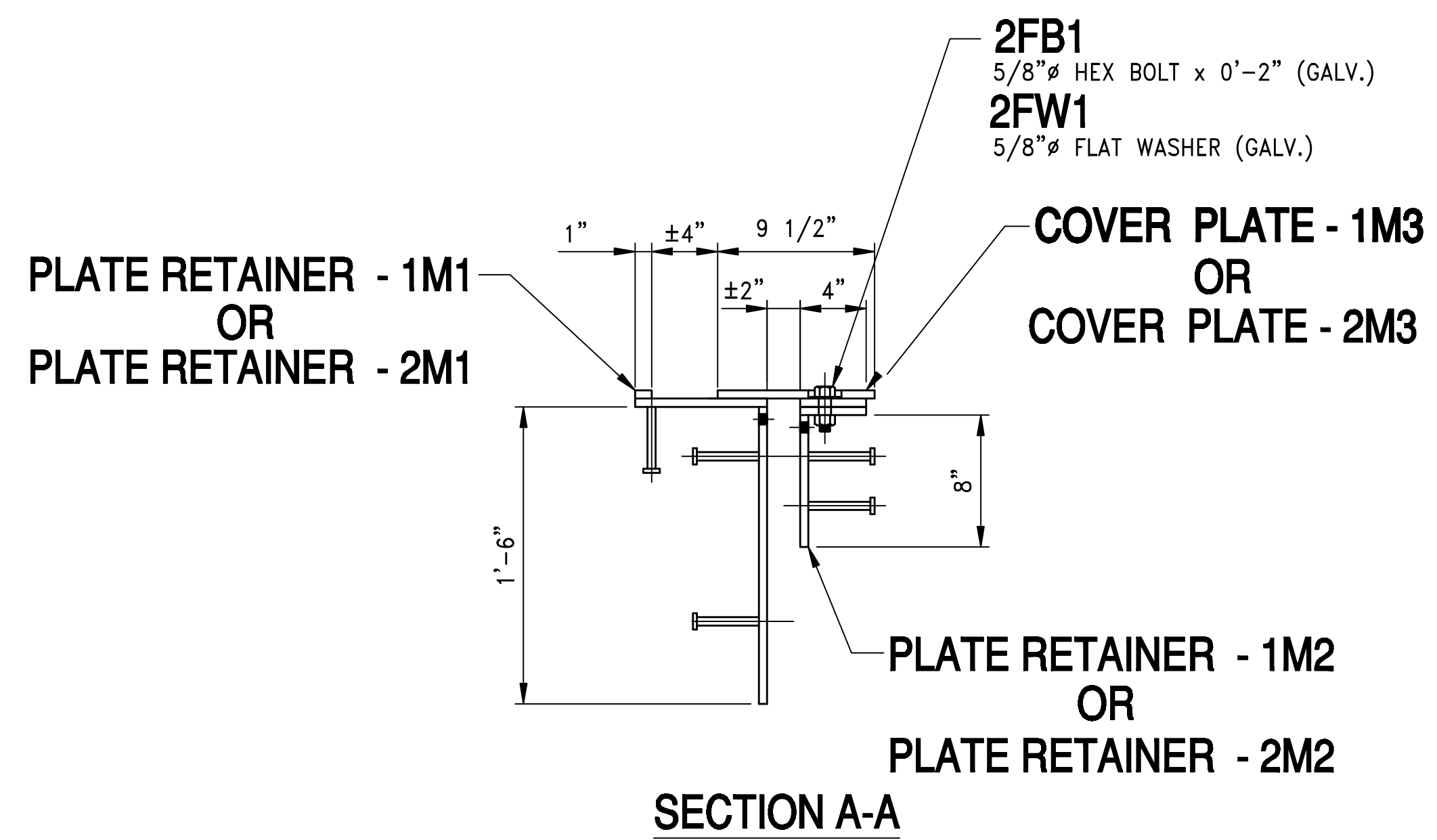


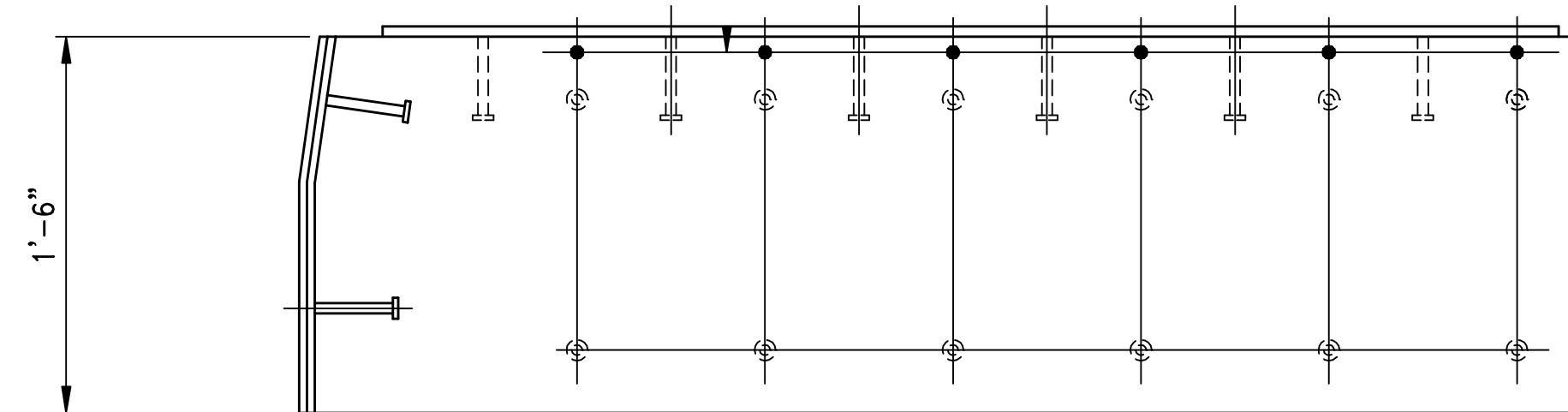
**RT FORWARD SIDEWALK JOINT  
LT REAR SIDEWALK JOINT**



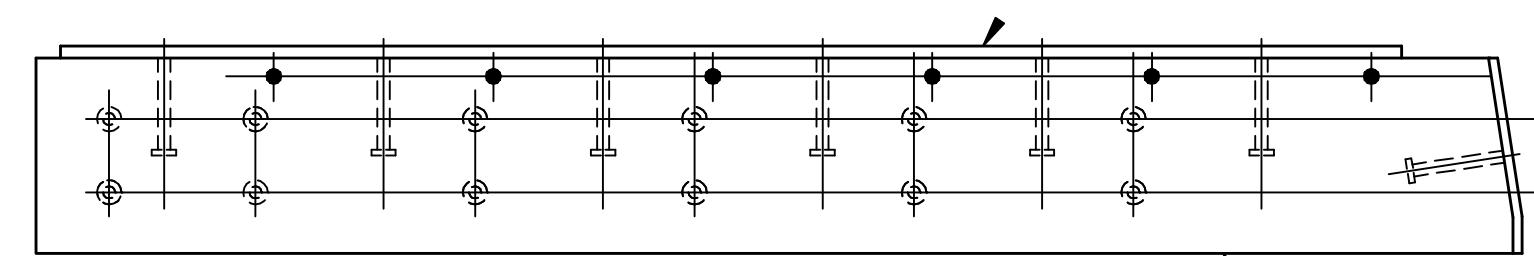
**RT REAR SIDEWALK JOINT  
LT FORWARD SIDEWALK JOINT**



**SECTION A-A**



**SECTION B-B**



**SECTION C-C**

**PLATE RETAINER - 1M1  
OR  
PLATE RETAINER - 2M1**

**PLATE RETAINER - 1M2  
OR  
PLATE RETAINER - 2M2**

BRIDGE NO. 1803549

SCALE: 1/2" = 1'-0"

COSMOS INDUSTRIAL SERVICES  
ODOT 256(13) CUYAHOGA  
SIDEWALK JOINT ERECTION PLAN

**BOARDMAN STEEL FAB, LTD.**  
YOUNGSTOWN, OHIO 44512

MADE BY: JET	DATE: 6-12-13	CONTRACT NO. AY-92	SHEET E1
CK. BY: DCD	DATE: 6-12-13		