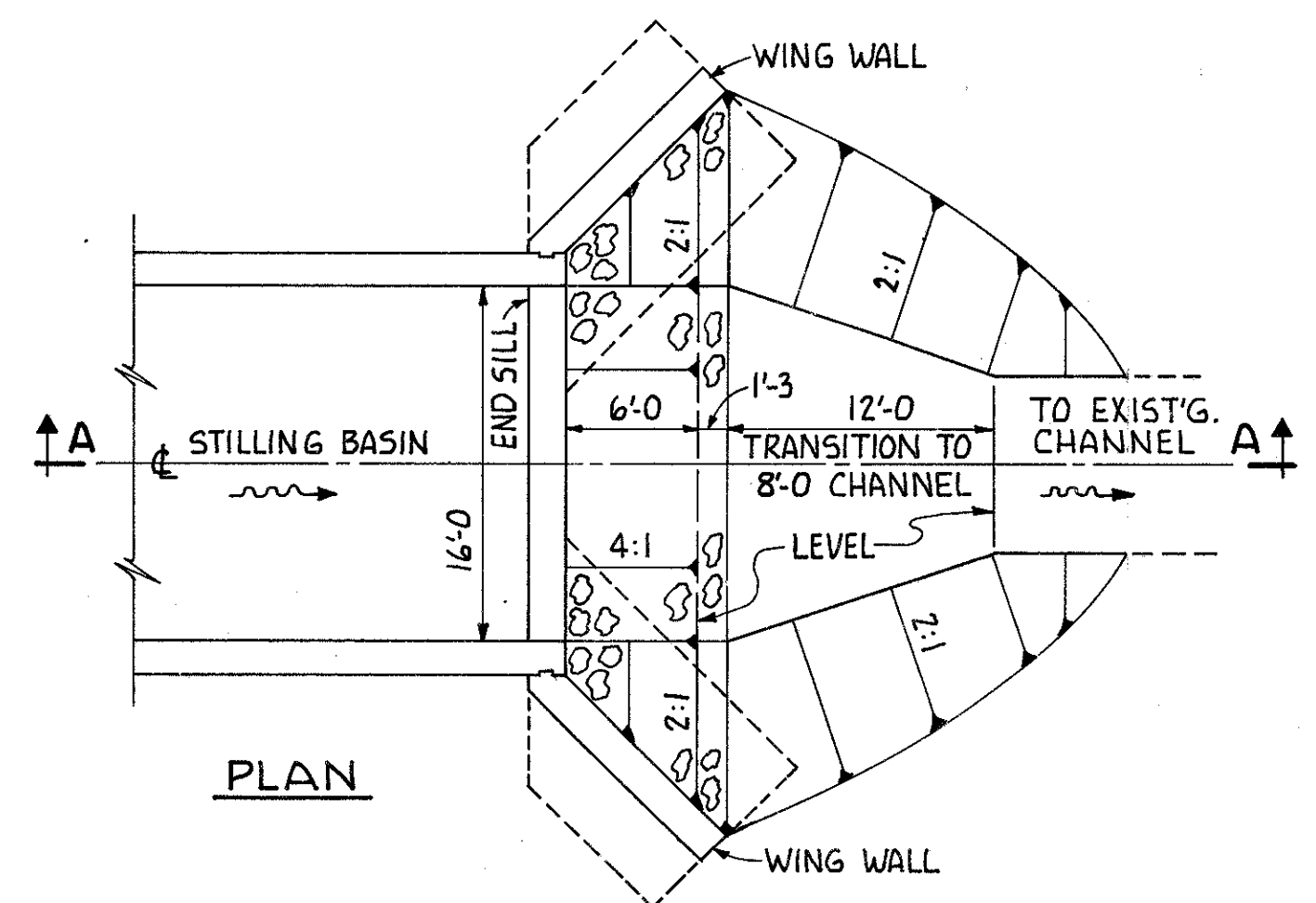


old CFN 181761137  
new CFN 1861277  
SLM 11.45, 72"  
SEE SHEET 15

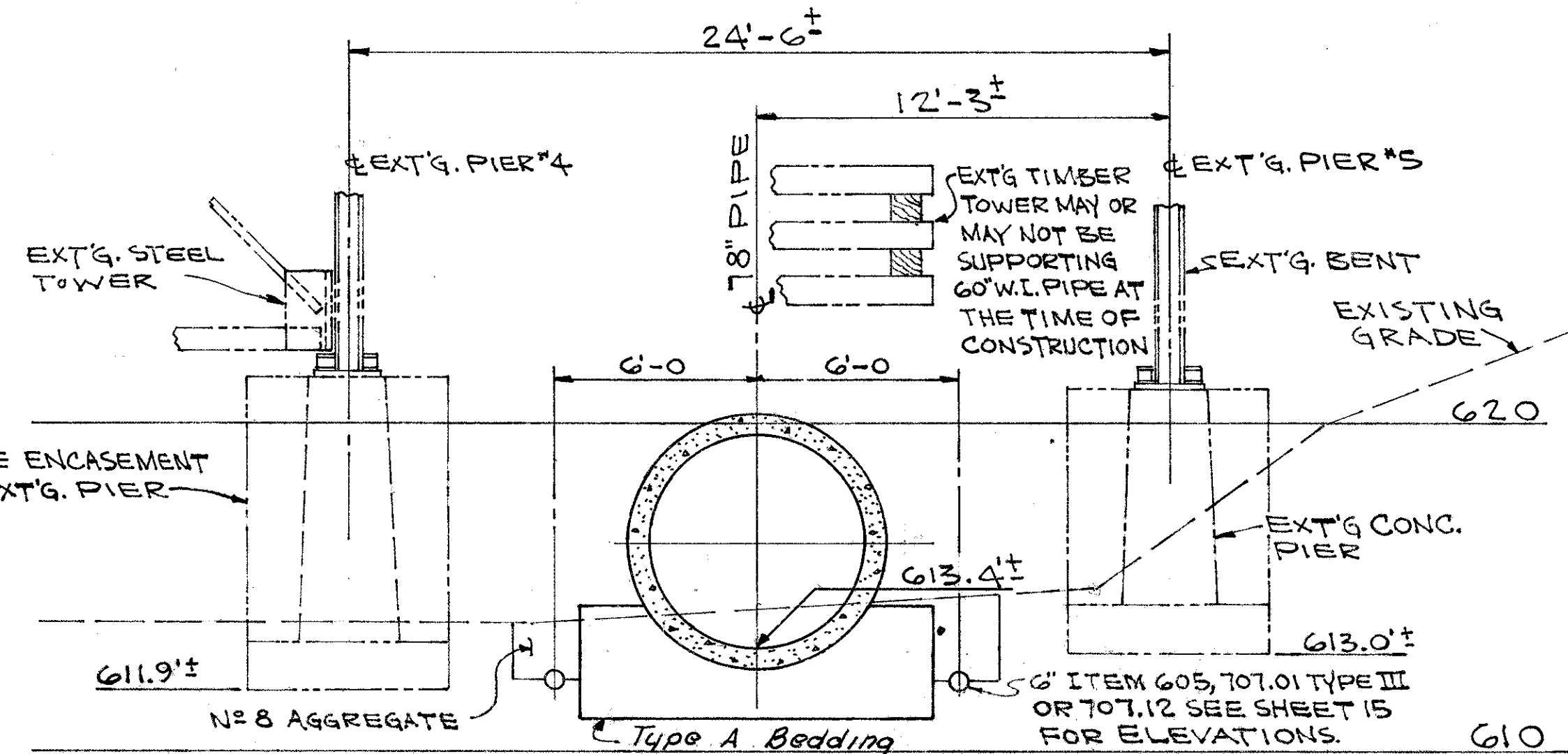
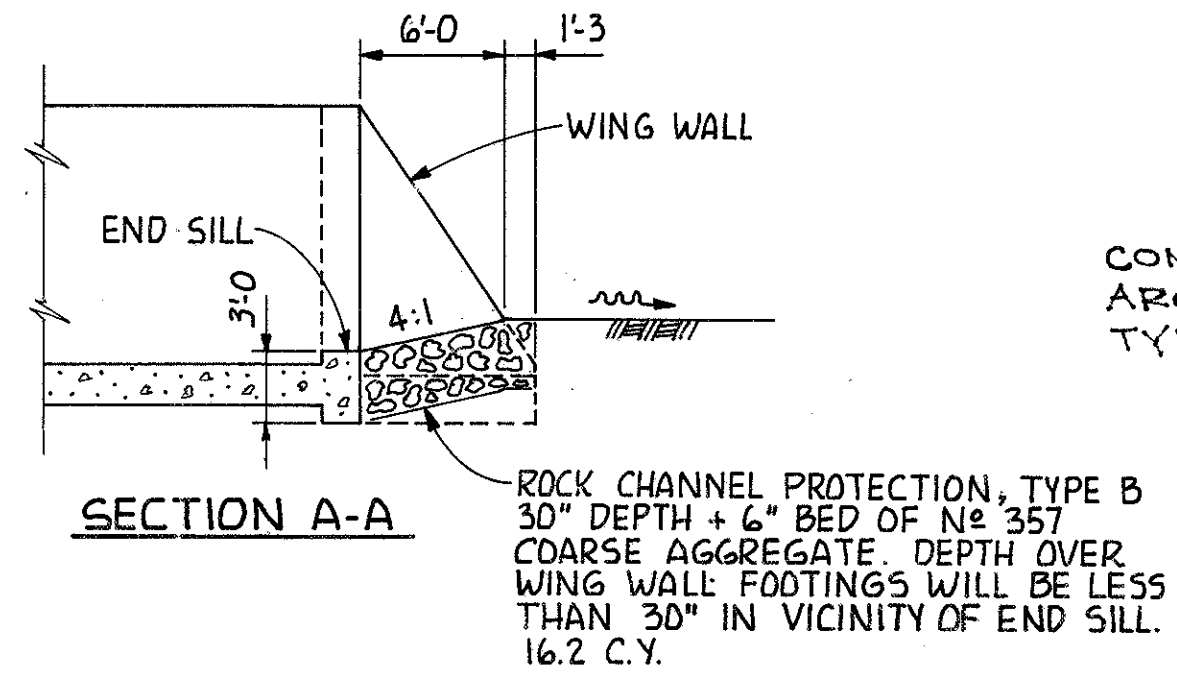
old CFN 181761146  
new CFN 1803545  
SLM 11.54, 78"  
SEE SHEET 15

SEE DETAIL BELOW FOR ROCK CHANNEL PROTECTION, TYPE B FOR STILLING BASIN DETAILS SEE SHEETS 47 & 48

NOTE: CONTRACTOR MUST SUPPORT 60" W.I. PIPE DURING CONSTRUCTION - COST TO BE INCLUDED IN PRICE BID FOR ITEM 203 BORROW, USING GRANULAR MATERIAL, AS PER PLAN - SEE GENERAL NOTE.



ROCK CHANNEL PROTECTION DETAIL  
SCALE = 1/8" = 1'-0"



SECTION B-B  
SCALE: 1/4" = 1'-0"

TRYGVE HOFF & ASSOCIATES  
ENGINEERS  
1922 EAST 107TH STREET CLEVELAND, OHIO 44106

# SEWER PROFILE

1" = 10' VERT.  
SCALE 1" = 50' HOR.

DESIGNED	DRAWN	TRACED	CHECKED	REVIEWED	DATE	REVISED
gap	gap	CDR	T.L.L.		12/9/69	

CONT. No. 650216 SHEET ACCT. No. 6208